

KitchenAid® Ice Maker

PRODUCT MODEL NUMBER

| | | |
|-----------|-----------|-----------|
| KUIC15NHZ | KUIC18NNZ | KUIS15NNZ |
| KUIC15PHZ | KUIC18PNZ | KUIS18NNZ |
| KUIC15POZ | KUIO18NNZ | KUIS18PNZ |
| KUID308E | KUID508E | |

Electrical: A 115 Volt, 60 Hz., AC only, 15- or 20-amp electrical supply, properly grounded in accordance with the National Electrical Code and local codes and ordinances, is required.

It is recommended that a separate circuit, serving only your ice maker, be provided. Use a receptacle which cannot be turned off by a switch or pull chain.

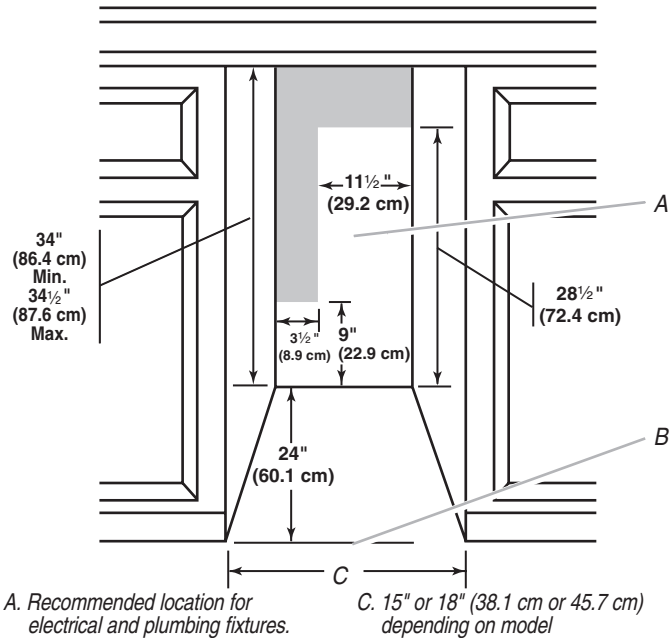
IMPORTANT: If this product is connected to a GFCI (Ground Fault Circuit Interrupter) equipped outlet, nuisance tripping of the power supply may occur, resulting in loss of cooling. Ice quality may be affected. If nuisance tripping has occurred, and if the condition of the ice appears poor, dispose of it.

Water: A cold water supply with water pressure between 30 and 120 psi (207 and 827 kPa) is required to operate ice maker. If you have questions about your water pressure, call a licensed, qualified plumber.

Location:

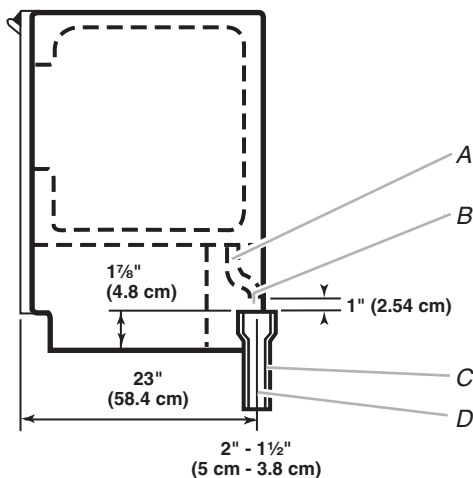
- To ensure proper ventilation for your ice maker, the front side must be completely unobstructed. The ice maker may be closed-in on the top and three sides, but the installation should allow the ice maker to be pulled forward for servicing if necessary.
- Installation of the ice maker requires a cold water supply inlet of 1/4" (6.35 mm) OD soft copper tubing with a shutoff valve or a Whirlpool supply line Part Number 8212547RB, and a Whirlpool approved drain pump, Part Number 1901A, only to carry the water to an existing drain.
- Choose a well ventilated area with temperatures above 55°F (13°C) and below 110°F (43°C). Best results are obtained between 70°F and 90°F (21°C and 32°C).
- The ice maker must be installed in an area sheltered from the elements, such as wind, rain, water spray, or drip.
- When installing the ice maker under a counter, follow the recommended opening dimensions shown. Place electrical and plumbing fixtures in the recommended location as shown.

CABINET OPENING DIMENSIONS



- Check that the power supply cord is not damaged, or pinched or kinked between the ice maker and the cabinet.
- Check that the water supply line is not damaged, or pinched or kinked between the ice maker and the cabinet.
- Check that the drain line (on some models) is not damaged, or pinched or kinked between the ice maker and the cabinet.
- Check that the ice maker door is not flush with the front of standard cabinets to avoid problems with opening the ice maker door.
- Choose a location where the floor is even. It is important for the ice maker to be level in order to work properly. If needed, you can adjust the height of the ice maker by changing the height of the leveling legs.

DRAIN CONNECTION



- A. Drain hose
- B. 1" (2.54 cm) air gap
- C. PVC drain reducer
- D. Center of drain should be 23" (58.4 cm) from front of door, with or without the 3/4" (1.91 cm) panel on the door. The drain should also be centered from left to right (7 5/16" [18.56 cm] from either side of the ice maker).

Gravity Drain System

Connect the ice maker drain to your drain in accordance with all state and local codes and ordinances. If the ice maker is provided with a gravity drain system, follow these guidelines when installing drain lines. This will help keep water from flowing back into the ice maker storage bin and potentially flowing onto the floor, causing water damage.

- Drain lines must have a minimum of 5/8" (15.88 mm) inside diameter.
- Drain lines must have a 1" drop per 48" (2.54 cm drop per 122 cm) of run or 1/4" drop per 12" (6.35 mm per 30.48 cm) of run and must not have low points where water can settle.
- The floor drains must be large enough to accommodate drainage from all drains.
- The ideal installation has a standpipe with a 1 1/2" (3.81 cm) to 2" (5.08 cm) PVC drain reducer installed directly below the outlet of the drain tube as shown. You must maintain a 1" (2.54 cm) air gap between the drain hose and the standpipe.

IMPORTANT: A drain pump is necessary when a floor drain is not available. A Drain Pump kit, Part Number 1901A, is available for purchase.

Drain Pump System (on some models)

IMPORTANT:

- Connect the ice maker drain to your drain in accordance with the International Plumbing Code and any local codes and ordinances.
- The drain pump discharge line must terminate at an open sited drain.
 - Maximum rise 10 ft (3.1 m)
 - Maximum run 100 ft (30.5 m)

NOTES:

- If the drain hose becomes twisted and water cannot drain, your ice maker will not work.
- It may be desirable to insulate the drain line thoroughly up to the drain inlet. An Insulation Sleeve kit, Part Number W10365792, is available for purchase.
- Do not connect outlet end of drain tube to a closed pipe system to keep drain water from backing up into the ice maker.