

## PRODUCT MODEL NUMBERS

AZF33X16D      AZF33X18D  
 AZM12X17D      AZB33X20D  
 AZB33X18D      AZF33X20D

### Recommended grounding method

A 115 Volt, 60 Hz., AC only, 15- or 20-amp fused, grounded electrical supply is required. It is recommended that a separate circuit serving only your freezer be provided. Use an outlet that cannot be turned off by a switch. Do not use an extension cord.

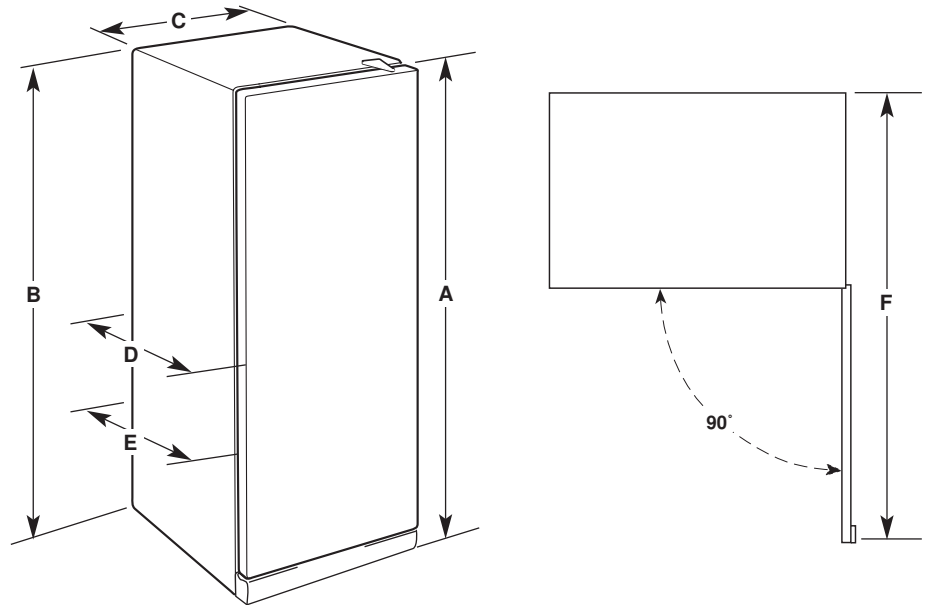
### Water Pressure

A cold water supply with water pressure of between 30 and 120 psi (207 to 827 kPa) is required to operate the water dispenser and ice maker. If you have questions about your water pressure, see "Troubleshooting" or call a licensed, qualified plumber.

### Reverse Osmosis Water Supply

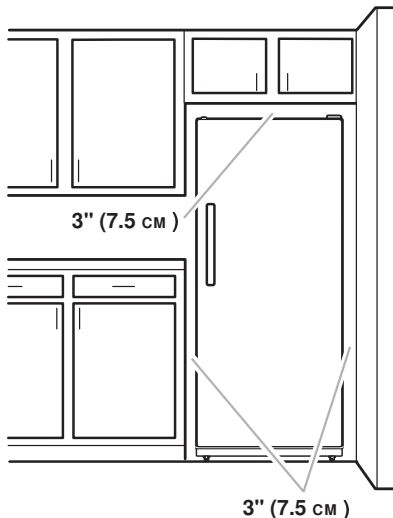
If a reverse osmosis water filtration system is connected to your cold water supply, the water pressure to the system needs to be a minimum of 40 to 60 psi (276 to 414 kPa).

## PRODUCT DIMENSIONS



| Model Number           | Model Size   | Reversible Door | Height (Overall) "A"                        | Height (Top of Cabinet) "B"                 | Width (Overall) "C"                        | Depth (Overall) "D"                        | Depth (Cabinet Only) "E"                   | Depth (Door Opens 90°) "F"                  |
|------------------------|--------------|-----------------|---|---|--|--|--|---|
| AZF33X16D              | 15.7 cu. ft. | Yes             | 60 <sup>3</sup> / <sub>8</sub> " (154.3 cm) | 60 <sup>1</sup> / <sub>2</sub> " (153.0 cm) | 30 <sup>1</sup> / <sub>2</sub> " (76.8 cm) | 29 <sup>1</sup> / <sub>2</sub> " (74.0 cm) | 24 <sup>5</sup> / <sub>8</sub> " (62.6 cm) | 55 <sup>7</sup> / <sub>8</sub> " (142.0 cm) |
| AZM12X17D              | 16.6 cu. ft. | Yes             | 66 <sup>3</sup> / <sub>8</sub> " (169.6 cm) | 66 <sup>1</sup> / <sub>2</sub> " (168.3 cm) | 30 <sup>1</sup> / <sub>2</sub> " (76.8 cm) | 29 <sup>1</sup> / <sub>2</sub> " (74.0 cm) | 24 <sup>5</sup> / <sub>8</sub> " (62.6 cm) | 55 <sup>7</sup> / <sub>8</sub> " (142.0 cm) |
| AZB33X18D<br>AZF33X18D | 17.7 cu. ft. | Yes             | 66 <sup>3</sup> / <sub>8</sub> " (169.6 cm) | 66 <sup>1</sup> / <sub>2</sub> " (168.3 cm) | 30 <sup>1</sup> / <sub>2</sub> " (76.8 cm) | 29 <sup>1</sup> / <sub>2</sub> " (74.0 cm) | 24 <sup>5</sup> / <sub>8</sub> " (62.6 cm) | 55 <sup>7</sup> / <sub>8</sub> " (142.0 cm) |
| AZB33X20D<br>AZF33X20D | 19.6 cu. ft. | Yes             | 66 <sup>3</sup> / <sub>8</sub> " (169.6 cm) | 66 <sup>1</sup> / <sub>2</sub> " (168.3 cm) | 33 <sup>1</sup> / <sub>2</sub> " (84.5 cm) | 29 <sup>1</sup> / <sub>2</sub> " (74.0 cm) | 24 <sup>5</sup> / <sub>8</sub> " (62.6 cm) | 58 <sup>7</sup> / <sub>8</sub> " (149.6 cm) |

## LOCATION REQUIREMENTS



**IMPORTANT:** Do not install the freezer near an oven, radiator, or other heat source, nor in a location where the temperature will fall below 40°F (5°C).

Check the strength of the floor before installing your freezer. It should hold the weight of a freezer fully loaded with food.

Allow at least 3" (7.5 cm) of air space at the top and on both sides of the freezer and 1" (2.5 cm) between the back of the freezer and the wall. If the freezer is to be against a wall, leave extra space on the hinge side so the door can open wider.

**NOTE:** This freezer may be installed side by side with another refrigerator or freezer. Allow for a 3" (7.5 cm) clearance at the top and sides and a 1/4" (0.64 cm) clearance between the appliances.