



GARAGE COMPACTOR

Use & Care Guide

Model
GACP15XXMG - Silver Tread

Modèle
GACP15XXMG - Texturé Argenté

Modelo
GACP15XXMG - Plateado Huella

COMPACTADOR DE GARAGE

Manual de uso y cuidado

COMPACTEUR DE GARAGE

Guide d'utilisation et
d'entretien

TABLE OF CONTENTS/TABLE DES MATIÈRES/ÍNDICE

COMPACTOR SAFETY	2	SÉCURITÉ DU COMPACTEUR	10	SEGURIDAD DEL COMPACTADOR ...	18
INSTALLATION INSTRUCTIONS	3	INSTRUCTIONS D'INSTALLATION	11	INSTRUCCIONES DE INSTALACIÓN .	19
Tools and Parts	3	Outillage et pièces	11	Herramientas y piezas	19
Unpacking.....	3	Déballage.....	11	Desempaque del compactador	19
Location Requirements.....	3	Emplacement d'installation	11	Requisitos de ubicación	19
Electrical Requirements.....	4	Spécifications électriques.....	12	Requisitos eléctricos.....	20
Install the Casters (optional)	5	Installation des roulettes (facultatif)	13	Instalación de las ruedecillas (opcional)	21
Install the Compactor	5	Installation du compacteur	13	Instalación del compactador	21
COMPACTOR USE	6	UTILISATION DU COMPACTEUR	14	USO DEL COMPACTADOR	22
How Your Compactor Works	6	Fonctionnement du compacteur	14	Cómo funciona su compactador	22
Loading	6	Chargement	14	Cómo cargar	22
Starting the Compactor	6	Mise en marche du compacteur	14	Puesta en marcha del compactador	22
Removing a Filled Bag.....	7	Enlèvement d'un sac rempli	15	Eliminación de bolsas llenas.....	23
Installing a New Bag	7	Installation d'un nouveau sac	15	Instalación de una bolsa nueva	23
COMPACTOR CARE	8	ENTRETIEN DU COMPACTEUR	15	CUIDADO DEL COMPACTADOR	24
Cleaning.....	8	Nettoyage	15	Limpieza.....	24
TROUBLESHOOTING	9	DÉPANNAGE	17	LOCALIZACIÓN Y REPARACIÓN DE AVERÍAS	25
WARRANTY	9	GARANTIE	17	GARANTÍA	25

COMPACTOR SAFETY

Your safety and the safety of others are very important.

We have provided many important safety messages in this manual and on your appliance. Always read and obey all safety messages.



This is the safety alert symbol.

This symbol alerts you to potential hazards that can kill or hurt you and others.

All safety messages will follow the safety alert symbol and either the word "DANGER" or "WARNING." These words mean:

⚠ DANGER

You can be killed or seriously injured if you don't immediately follow instructions.

⚠ WARNING

You can be killed or seriously injured if you don't follow instructions.

All safety messages will tell you what the potential hazard is, tell you how to reduce the chance of injury, and tell you what can happen if the instructions are not followed.

State of California Proposition 65 Warnings:

WARNING: This product contains one or more chemicals known to the State of California to cause cancer.

WARNING: This product contains one or more chemicals known to the State of California to cause birth defects or other reproductive harm.

IMPORTANT SAFETY INSTRUCTIONS

WARNING: To reduce the risk of fire, electric shock, or injury to persons when using your appliance, follow basic precautions, including the following:

- Children should be supervised to ensure that they do not play with the appliance.
- This appliance is not intended for use by persons (including children) with reduced physical, sensory, or mental capabilities, or lack of experience and knowledge, unless they have been given supervision or instruction concerning use of the appliance by a person responsible for their safety.
- Do not use an extension cord.
- If power supply cord is damaged, it must be replaced by the manufacturer, its service agent, or a similarly qualified person in order to avoid a hazard.
- Connect to potable water supply only.
- This appliance is intended to be used in household and similar applications such as: staff kitchen areas in shops, offices, and other working environments; farm houses and by clients in hotels, motels, and other residential-type environments; bed and breakfast-type environments; and catering and similar non-retail applications.
- Do not store explosive substances such as aerosol cans with a flammable propellant in this appliance.
- Do not use replacement parts that have not been recommended by the manufacturer (e.g., parts made at home using a 3D printer).
- Keep ventilation openings, in the appliance enclosure or in the built-in structure, clear of obstruction.
- Do not use mechanical devices or other means to accelerate the defrosting process, other than those recommended by the manufacturer.
- Do not damage the refrigerant circuit.
- Do not use electrical appliances inside the food storage compartments of the appliance, unless they are of the type recommended by the manufacturer.
- Ice maker kit can be added to some models. See serial tag inside the food compartment of appliance for ice maker kit model information.
- A qualified service technician must install the water line and ice maker. See installation instructions supplied with ice maker kit for complete details.

SAVE THESE INSTRUCTIONS

INSTALLATION INSTRUCTIONS

Installer: Leave Use and Care Guide with the homeowner
Homeowner: Keep Use and Care Guide for future reference and for local electrical inspector's use, if required.

Tools and Parts

Gather the required tools and parts before starting installation.

Tools Needed:

- Level
- Pliers
- 5/16" hex-head socket wrench
- 7/16" hex-head socket wrench
- Tape measure
- Utility knife
- Flat-head screwdriver

Parts Supplied:

- Caster frame
- Fixed casters with wheel brakes (2)
- Swivel casters (2)
- Locking nuts (16)
- Bolts (16)

Unpacking

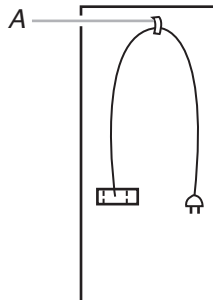
! WARNING

Excessive Weight Hazard

Use two or more people to move and install compactor.
Failure to do so can result in back or other injury.

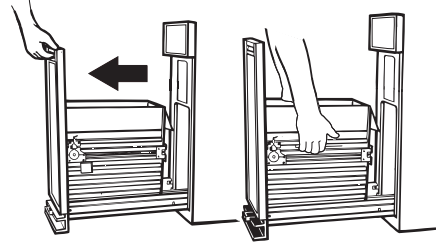
IMPORTANT:

- Do not grasp console to move compactor.
 - Begin in the room where the compactor will be located.
1. Remove compactor from shipping carton.
 2. Remove all packaging materials such as tape and shipping pads.
 3. Use a mild detergent and warm water to remove waxy residue caused by shipping material.
 4. Dry thoroughly with a soft cloth. For more information, see "Cleaning."
 5. Be sure the power cord is attached to the cord clip on the rear of the compactor.

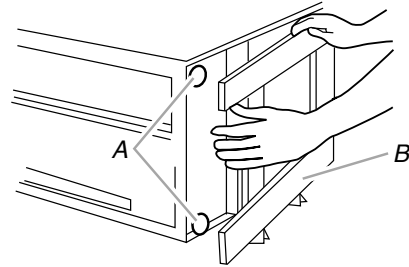


A. Cord clip

6. Place the 2 corner posts from the carton on the floor near the compactor.
7. Open the compactor drawer and remove any shipping materials or other items from the drawer.
NOTE: Do not remove the compactor bag.
8. Grasp the handle and raise the front of drawer until it clears the drawer stops.
9. Grasp sides of drawer and lift drawer out of compactor.
10. Place the drawer on the 2 corner posts.



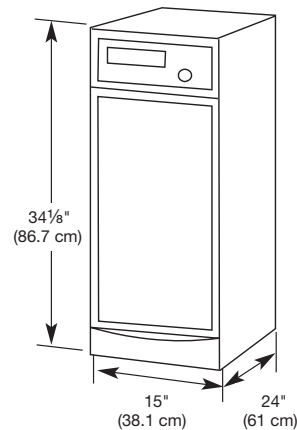
11. Place the other 2 corner posts on the floor to the side of the compactor.
12. Grasp the sides of the compactor cabinet and put compactor on its side on top of the corner posts.
13. Remove the shipping base from the bottom of the compactor.



A. Leveling legs
B. Shipping base

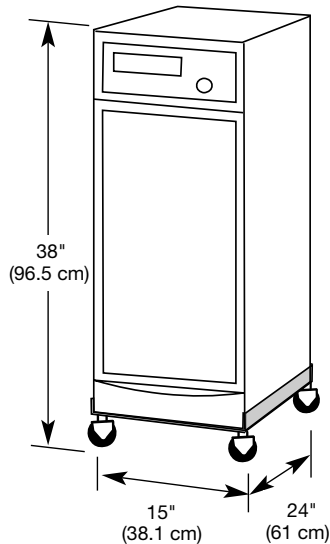
Location Requirements

Product Dimensions

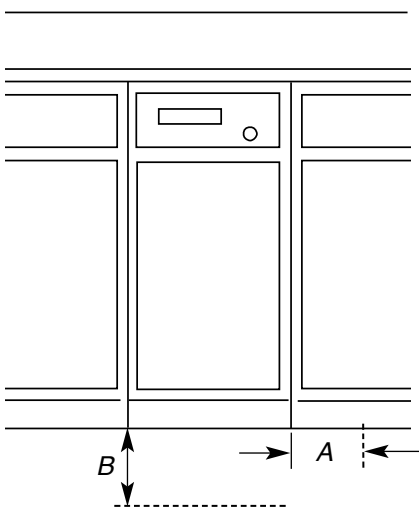


Product Dimensions with Casters

NOTE: Positioning compactor on caster frame will increase height to 38" (96.5 cm).



Clearance Dimensions



- A. Leave 6" (15.2 cm) of clearance space to the right side of the compactor in order to remove the compactor bags.
- B. Leave 23" (58.4 cm) of clearance in front of the compactor in order to fully open or remove the compactor drawer.

Electrical Requirements

⚠ WARNING



Electrical Shock Hazard

Plug into a grounded 3 prong outlet.

Do not remove ground prong.

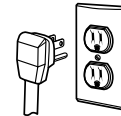
Do not use an adapter.

Do not use an extension cord.

Failure to follow these instructions can result in death, fire, or electrical shock.

Recommended Grounding Method

This compactor is for use on a single phase, 115-volt, 60 Hz, AC only, 15- or 20-amp fused and properly grounded circuit and is equipped with a grounding plug as shown below. It is recommended that a separate circuit serving only this appliance be provided.



This compactor must be grounded while in use to reduce the risk of electric shock. The compactor is equipped with a three-conductor cord and 3 prong grounding-type plug to fit the proper grounding type receptacle. The green (or green and yellow) conductor in the cord is the grounding wire.

NOTE: Do not connect the green (or green and yellow) wire to a live terminal.

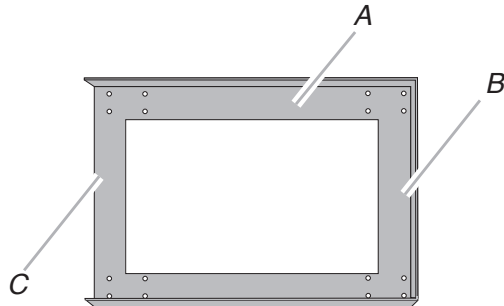
Install the Casters (optional)

IMPORTANT:

- Do not grasp control panel to move compactor.
- Slide compactor onto cardboard or hardboard before moving compactor across floor to prevent damaging floor covering.
- Do not allow the rear frame of the compactor to touch the floor covering when lifting or moving compactor.

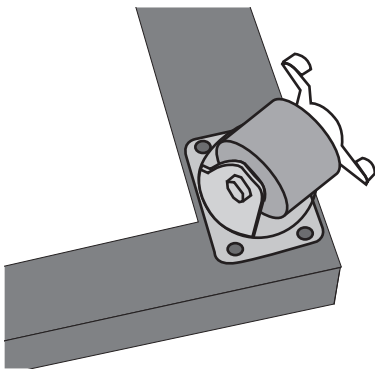
Assemble Caster Frame

1. Locate included caster frame. Set it on the floor with the lip facing down.

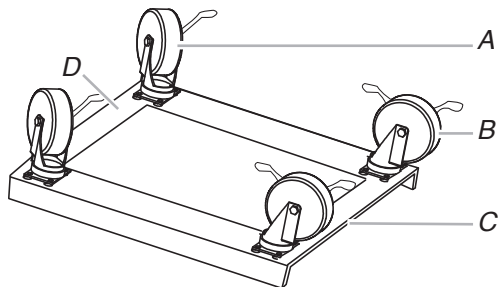


- A. Caster frame
- B. Closed end of caster frame (with lip)
- C. Open end of caster frame (without lip)

2. Install the (2) swivel casters to the back (closed end) of the frame assembly with (4) bolts and nuts.



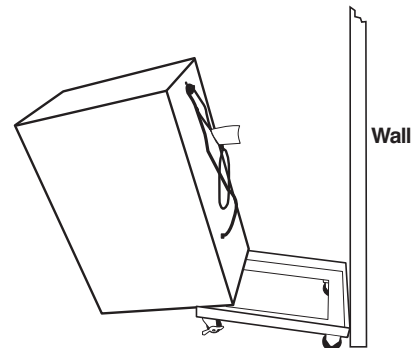
3. Install the (2) fixed casters to the front (open end) of the frame assembly with (4) bolts and nuts.



- A. Swivel casters
- B. Fixed casters
- C. Open end of frame assembly
- D. Closed end of frame assembly

Install Compactor On Caster Frame

1. To keep the caster frame from moving during the initial installation, block the wheels or place frame against a wall.
2. Lock the back casters in place by pushing the locks down.
3. Tilt the back of the compactor forward and push the compactor up onto the caster frame assembly over the open end of the frame.



4. Slide the compactor all the way back until it touches the back lip of the caster frame assembly.

Install the Compactor

IMPORTANT:

 Do not grasp control panel to move compactor.

1. Move the compactor to its final position.
2. Grasp sides of compactor drawer and place bottom of drawer into tracks.
3. Lift at the handle so drawer will go over drawer stops.
4. Close the drawer.
5. Check that drawer opens freely. If the toe plate rubs against floor, see "Adjusting the Toe Plate" for further instructions.
6. Plug into a grounded 3 prong outlet.

Adjusting the Toe Plate

If the toe plate rubs the floor covering, the toe plate clearance may be changed as follows:

1. Mark on each side of the toe plate the amount of toe plate that rubs the floor covering.
2. Remove the drawer from the unit. See Step 3 in the "Unpacking" section.
3. Use a ruler and a pencil or chalk to draw a line between the marks on each side of toe plate.
4. Use scissors or utility knife to cut toe plate along line.
5. Replace drawer. If toe plate still rubs floor covering, repeat steps 1 through 4.

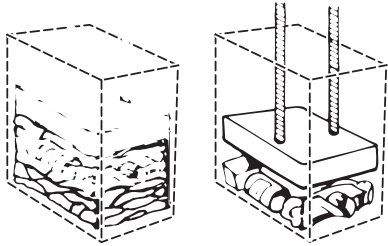
COMPACTOR USE

How Your Compactor Works

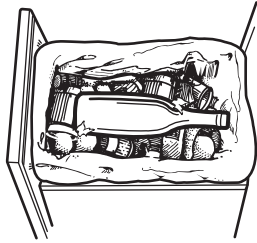
The compacting ram is the part of the compactor which compresses the trash. The compacting ram does not go to the bottom of the drawer. You will not see compacting of trash the first few times you load the compactor.

NOTE: The compactor drawer should be more than 1/2" full before the compactor can begin to compress the load.

You may hear a noise when glass breaks. Strong glass bottles may not break at all. The trash in a full compactor bag will be about 1/4" the size of its original bulk.



Load bulky trash, bottles, and cans in the center of the drawer. Bottles or cans not placed in the center may become caught between the ram and the drawer. The Drawer Monitor Switch then senses a "misload" and causes the ram to return to the "up" position without compacting.



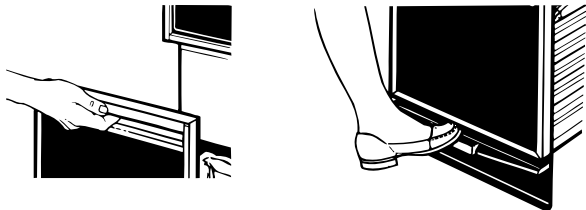
Loading

IMPORTANT: Do not push items down into compactor with hands or feet.

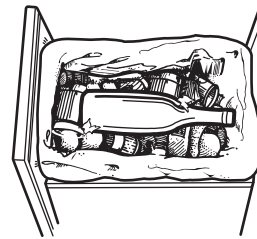
NOTE: You will not see compacting of trash the first few times you load the compactor. The compactor drawer should be about 1/2 full before the compactor can begin to compress the load.

1. Open the drawer. Lift and pull the handle or press the toe bar to open the drawer.

NOTE: Pressing the toe bar opens the container only 3" to 6" (7.6 cm to 15.2 cm), depending on the load.



2. Place trash in compactor.
 - Wrap or cover wet or messy trash.
 - Do not compact items that may develop offensive odors such as raw meat, fish, grapefruit rinds, disposable diapers, or personal hygiene items.
 - Load bottles or cans on their sides in the center of the drawer. Do not load bottles in an upright position.



3. Close the drawer.

Starting the Compactor

To Start and Stop the Compactor

1. To start the compactor, turn the Key-Knob to START and then let go. The compactor will automatically stop at the end of the cycle.



2. To stop the compactor during a cycle:
 - Turn the Key-Knob to LOCK/OFF.
 - Then turn the Key-Knob to ON so the compacting ram will rise.
 - When the ram stops rising, you can open the drawer.

To Remove the Key-Knob

1. Turn the Key-Knob to the LOCK/OFF position.
2. Remove the Key-Knob and store it out of children's reach.

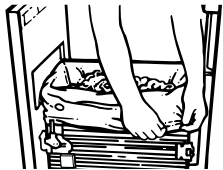


Removing a Filled Bag

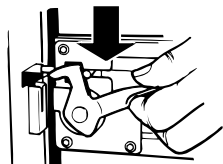
When the trash is compacted to the top of the drawer, remove the bag. If the bag is too heavy, compact less trash before emptying it in the future.

IMPORTANT: Do not push items down into compactor with hands or feet.

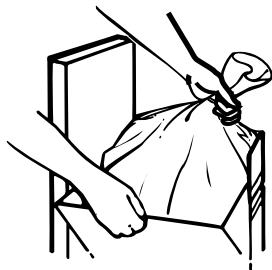
1. Pull the drawer completely open.
2. Remove top of bag from bag retainer buttons. Pull up all 4 bag cuffs. Close bag with twist tie provided.



3. Push Side-Lock Latch down and tilt drawer side open.



4. Lift out bag.



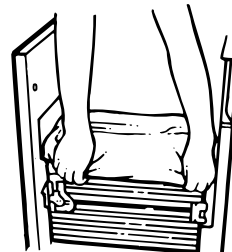
Installing a New Bag

Do not use any kind of bag other than those designed especially for use in your compactor. Order replacement compactor bags through your local dealer or by calling the toll-free number on the cover or in the "Assistance or Service" section.

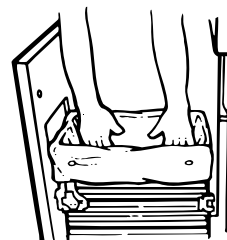
IMPORTANT:

Before installing a new bag, be sure:

- The drawer side is securely locked.
 - The container is clean and free of debris.
1. Place folded bag into the drawer. Open bag and pull top edges over the drawer top.



2. Lock bag in place by pulling the 4 prepunched holes over the bag retainer buttons. Holes will expand over the buttons without damaging the bag.
3. Press inside of bag against the drawer bottom, sides and corners for a smooth fit.



COMPACTOR CARE

Your new compactor is designed to give you many years of dependable service. However, there are a few things you are expected to do in order to properly maintain your compactor. This section will tell you how to clean and care for your compactor.

Cleaning

Before cleaning the compactor, turn the Key-Knob (or Key-Switch) to the OFF & LOCK position and remove it.

NOTE: Any services other than those outlined in this section should be performed by a designated service representative

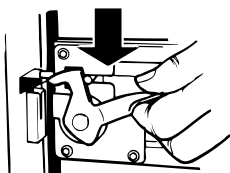
Cleaning Exterior Surfaces

1. Wash exterior surfaces (including stainless steel) with a clean sponge or soft cloth and a mild detergent in warm water. Do not use abrasive or harsh cleaners. Rinse and dry thoroughly with a soft cloth.
2. Wipe up spills right away. Some foods can damage the finish if left on the compactor surface.

Cleaning Inside the Drawer

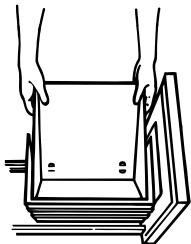
NOTE: You may want to wear gloves since there may be bits of glass in the drawer.

1. Remove the bag. See "Removing a Filled Bag."
2. Press down on the lever-action lock (or Side-Lock latch).



3. Hold the lever-action lock down and tilt the side of the drawer out until the lock clears the drawer front.

NOTE: If desired, the drawer side can be removed by tilting it up, then lifting it out.



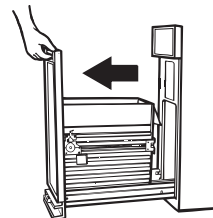
4. Wash the interior of the drawer with a clean sponge or soft cloth and a mild detergent in warm water. Rinse and dry thoroughly with a soft cloth.
5. If the drawer side was removed, slide it back into the tilted position.
6. Press the lever-action lock (or Side-Lock Latch) down while pushing the drawer side to the upright position.
7. Latch the drawer side by pushing up the lever-action lock (or Side-Lock Latch).

Cleaning Inside the Cabinet

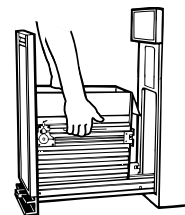
NOTE: You may want to wear gloves since there may be bits of glass in the cabinet.

1. Pull the drawer out until it stops.

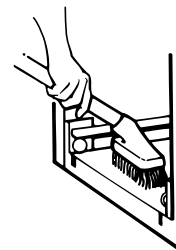
NOTE: Look to see how the drawer rollers move in the tracks. It will be easier to replace the drawer after you have finished cleaning.



2. Lift the front of the drawer to clear the stops.
3. Grasp the drawer on the sides and pull it out the rest of the way. Set the drawer down gently.



4. Vacuum the inside of the cabinet. Liquid spills or wet trash should be cleaned up by hand, or by using a vacuum cleaner designed to pick up liquids.

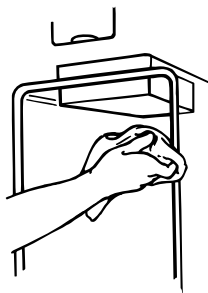


5. Wash the inside of the cabinet with a clean sponge or soft cloth and a mild detergent in warm water. Rinse and dry thoroughly with a soft cloth.
6. To replace the drawer, grasp it by the sides and insert the rollers onto the tracks.
7. Lift the front of the drawer and push it in fully past the stops.

Cleaning the Ram

NOTE: You may want to wear gloves since there may be bits of glass on the ram cover.

1. Wipe glass particles off of the ram cover with a cloth or paper towels.
2. Remove foods with a clean sponge or soft cloth and a mild detergent in warm water. Rinse and dry thoroughly with a soft cloth.



Cleaning Before a Vacation

If you will be away for more than a couple of days, remove the compactor bag. Remove the Key-Knob (or Key-Switch) and store it out of children's reach.

TROUBLESHOOTING

Try the solutions suggested here first in order to avoid the cost of an unnecessary service call.

Trash is not compacting

- **Is the drawer less than half-full?**
Drawer must be more than half full before trash is compacted.

Your compactor won't operate

- **Has a household fuse blown, or has a circuit breaker tripped?**
Replace the fuse or reset the circuit breaker. If the problem continues, call an electrician.
- **Is the drawer completely closed?**
Close the drawer firmly and start the compactor again.
- **Is the Key-Knob turned all the way to START?**
Turn the Key-Knob (Key-Switch) fully to START and release (on some models). See "Starting the Compactor."
- **Did you press ON before pressing START?**
Press ON before pressing START (on some models). See "Starting the Compactor."

The drawer won't open

- **Is the ram all the way up?**
Drawer will open only when ram is fully raised.
To raise the ram on models with a Key-Knob (or Key-Switch): Turn the Key-Knob (Key-Switch) to START and release. See "Starting the Compactor."
To raise the ram on models with push button controls: Press OFF, and then press ON. See "Starting the Compactor."
- **Is the Solid Cycle engaged?**
Drawer remains LOCKED until you reset by lifting the foot pedal up.

There is not enough compaction or force

- **Do you use the compacting cycle frequently enough?**
Compacting works best when only a few items are loaded.

Bottles don't break

- **How often do you notice this?**
Bottles will not break every time. The thickness of the bottle's glass and the content of the trash load below it may keep the bottle from breaking.

WARRANTY

For warranty information:

In the U.S.A. call **1-866-342-4089** or visit our website at

www.gladiatorgarageworks.com

In Canada call **1-800-807-6777** or visit our website at

www.gladiatorgarageworks.ca

SÉCURITÉ DU COMPACTEUR

Votre sécurité et celle des autres est très importante.

Nous donnons de nombreux messages de sécurité importants dans ce manuel et sur votre appareil ménager. Assurez-vous de toujours lire tous les messages de sécurité et de vous y conformer.



Voici le symbole d'alerte de sécurité.

Ce symbole d'alerte de sécurité vous signale les dangers potentiels de décès et de blessures graves à vous et à d'autres.

Tous les messages de sécurité suivront le symbole d'alerte de sécurité et le mot "DANGER" ou "AVERTISSEMENT". Ces mots signifient :

⚠ DANGER

Risque possible de décès ou de blessure grave si vous ne suivez pas immédiatement les instructions.

⚠ AVERTISSEMENT

Risque possible de décès ou de blessure grave si vous ne suivez pas les instructions.

Tous les messages de sécurité vous diront quel est le danger potentiel et vous disent comment réduire le risque de blessure et ce qui peut se produire en cas de non-respect des instructions.

Avertissements de la proposition 65 de l'État de Californie :

AVERTISSEMENT : Ce produit contient au moins un produit chimique connu par l'État de Californie pour être à l'origine de cancers.

AVERTISSEMENT : Ce produit contient au moins un produit chimique connu par l'État de Californie pour être à l'origine de malformations et autres déficiences de naissance.

IMPORTANTES INSTRUCTIONS DE SÉCURITÉ

AVERTISSEMENT : Lors de l'utilisation d'appareils électroménagers, il convient d'observer certaines précautions élémentaires dont les suivantes :

- Lire toutes les instructions avant d'utiliser le compacteur.
- Une surveillance étroite est nécessaire, lorsque l'appareil est employé par ou près d'enfants. Ne pas permettre d'utiliser l'appareil comme un jouet, ou le faire fonctionner sans surveillance. Verrouiller l'interrupteur à clé lorsque l'appareil n'est pas utilisé et garder la clé hors d'atteinte des enfants.
- Ne pas toucher les pièces mobiles.
- Ne pas faire fonctionner le compacteur si le cordon d'alimentation, la fiche de branchement, le moteur sont endommagés ou après tout dommage quelconque. Faire examiner, réparer ou ajuster le compacteur par un technicien autorisé.
- Utiliser uniquement pour l'usage auquel il est destiné, tel que décrit dans ce manuel. Ne pas utiliser des accessoires autres que ceux qui sont recommandés par le fabricant.
- Ne pas utiliser cet appareil pour compacter des produits toxiques ou fluides inflammables tels que chiffons imbibés d'huile et vaporisateurs insecticides. Ne pas soumettre au compacteur les articles comme cigarettes ou cigares allumés, ou autres objets en combustion ou chauds. Ne pas surcharger le compacteur.
- Ne pas démonter le compacteur. Un remontage incorrect peut être à l'origine d'un choc électrique, lors de l'utilisation subséquente.
- Manipuler avec soin un sac rempli de déchets. Des objets pointus peuvent percer le sac et causer des blessures. Ne pas surcharger le sac de déchets avec des matériaux pesants tels que le verre.
- Ce compacteur est destiné à l'usage domestique uniquement.

CONSERVEZ CES INSTRUCTIONS

INSTRUCTIONS D'INSTALLATION

Installateur : Laissez le Guide d'utilisation et d'entretien au propriétaire.

Propriétaire : Gardez le Guide d'utilisation et d'entretien pour référence ultérieure et pour l'usage de l'inspecteur local d'électricité, au besoin.

Outillage et pièces

Rassembler les outils et composants nécessaires avant d'entreprendre l'installation.

Outillage requis :

- Niveau
- Mètre ruban
- Pince
- Couteau utilitaire
- Clé à douille hexagonale de 5/16"
- Tournevis à tête plate
- Clé à douille hexagonale de 7/16"

Pièces fournies :

- Cadre de montage
- Écrous (16)
- Roulettes fixes avec freins (2)
- Boulons (16)
- Roulettes pivotantes (2)

Déballage

⚠ AVERTISSEMENT

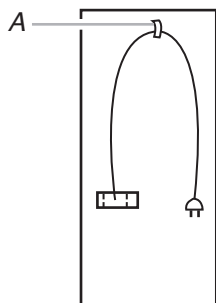
Risque du poids excessif

Utiliser deux ou plus de personnes pour déplacer, assembler, ou installer l'armoire.

Le non-respect de cette instruction peut causer une blessure au dos ou d'autre blessure.

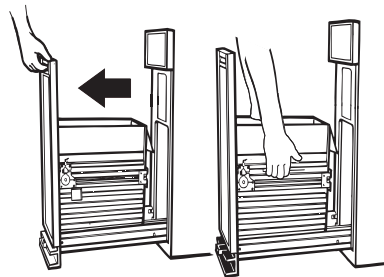
IMPORTANT :

- Ne pas saisir la console pour déplacer le compacteur.
 - Commencer dans la pièce où le compacteur sera installé.
1. Retirer le compacteur de son emballage de carton.
 2. Enlever tous les matériaux d'emballage comme ruban adhésif et cales.
 3. Avec une solution d'eau tiède et de produit de nettoyage ménager doux, enlever les résidus de cire laissés par les matériaux de protection.
 4. Sécher complètement avec un chiffon doux. Pour de plus amples renseignements, voir la section "Nettoyage".

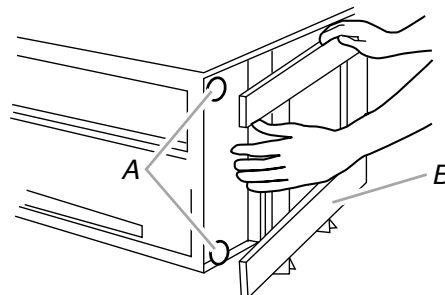


A. Agrafe du cordon d'alimentation

5. Vérifier que le cordon d'alimentation électrique est fixé à l'agrafe à l'arrière du compacteur.
6. Placer les 2 cornières sur le plancher, près du compacteur.
7. Ouvrir le tiroir du compacteur et retirer tous les matériaux d'emballage ou autres articles expédiés dans le tiroir.
REMARQUE : Ne pas retirer le sac du compacteur.
8. Saisir la poignée et soulever l'avant du tiroir pour le faire passer au-dessus des butées.
9. Saisir les côtés du tiroir et soulever le tiroir pour le retirer du compacteur.
10. Placer le tiroir sur les 2 cornières.



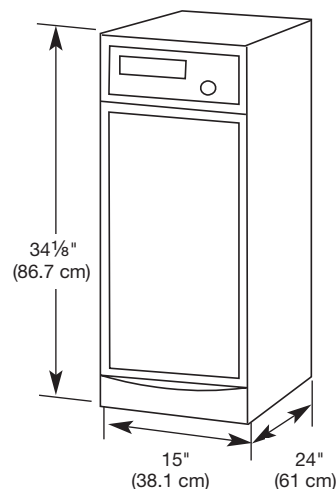
11. Placer les 2 autres cornières de protection sur le plancher, près du compacteur.
12. Saisir les côtés de la caisse du compacteur et placer le compacteur sur le côté, sur les cornières de protection.
13. Retirer la base placée au fond du compacteur avant l'expédition.



A. Pieds de nivellement
B. Base d'expédition

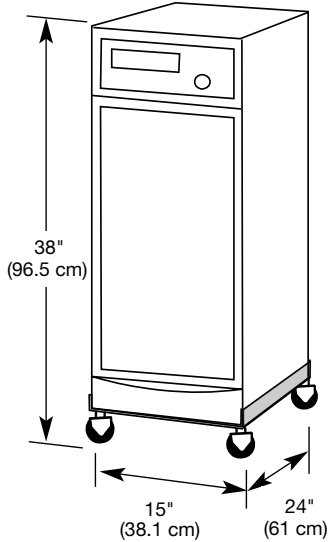
Emplacement d'installation

Dimensions du produit

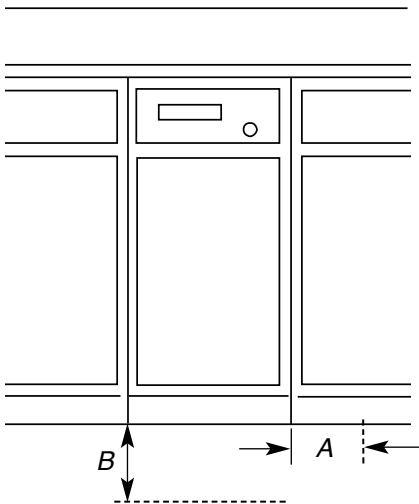


Dimensions du produit – roulettes comprises

REMARQUE : L'installation du compacteur sur le cadre de montage augmentera la hauteur à 38" (96,5 cm).



Dimensions d'espacement



A. Laisser 6" (15,2 cm) d'espace à droite du compacteur pour enlever les sacs du compacteur.

B. Laisser 23" (58,4 cm) d'espace devant le compacteur pour ouvrir complètement ou retirer le tiroir du compacteur.

Spécifications électriques

⚠ AVERTISSEMENT



Risque de choc électrique

Brancher sur une prise à 3 alvéoles reliée à la terre.

Ne pas enlever la broche de liaison à la terre.

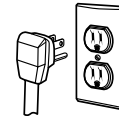
Ne pas utiliser un adaptateur.

Ne pas utiliser un câble de rallonge.

Le non-respect de ces instructions peut causer un décès, un incendie ou un choc électrique.

Méthode recommandée de mise à la terre

Le compacteur est alimenté par un circuit de 115 V CA seulement monophasé, 60 Hz, 15 ou 20 A; le circuit doit être protégé par un fusible et convenablement relié à la terre par l'intermédiaire de la fiche de branchement avec broches de liaison à la terre (voir l'illustration ci-dessous). Il est préférable que cet appareil soit alimenté par un circuit distinct.



Le compacteur doit être relié à la terre lorsqu'il est utilisé pour réduire le risque de choc électrique. Le compacteur est équipé d'un cordon à trois conducteurs et d'une fiche à trois broches de liaison à la terre, pour convenir à la prise de courant appropriée reliée à la terre. Le conducteur vert (ou vert et jaune) dans le cordon est le fil de liaison à la terre.

REMARQUE : Ne pas connecter le fil vert (ou vert et jaune) à une borne active.

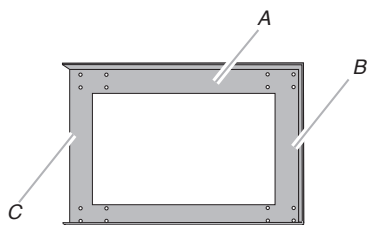
Installation des roulettes (facultatif)

IMPORTANT :

- Ne pas saisir la console pour déplacer le compacteur.
- Faire glisser le compacteur sur le carton ou panneau en bois dur avant de déplacer le compacteur sur le sol, pour empêcher d'endommager le revêtement.
- Ne pas laisser le châssis arrière du compacteur toucher le revêtement de sol lorsqu'on soulève ou déplace le compacteur.

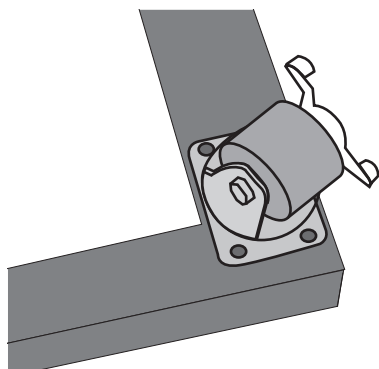
Assembler le cadre de montage

1. Localiser le cadre de montage. Le placer sur le sol avec le rebord vers le bas.

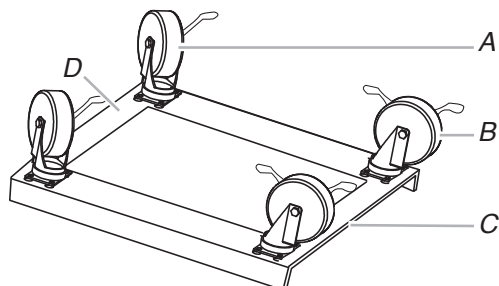


- A. Cadre de montage
- B. Extrémité fermée du cadre de montage (avec rebord)
- C. Extrémité ouverte du cadre de montage (sans rebord)

2. Installer les (2) roulettes pivotantes à l'arrière (extrémité fermée) du cadre de montage avec (4) boulons et écrous.



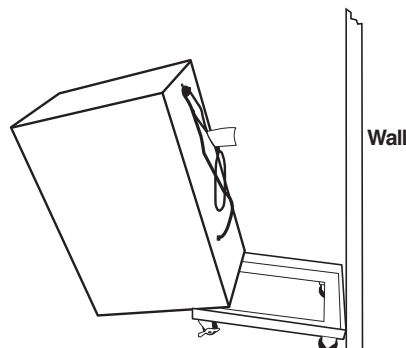
3. Installer les (2) roulettes fixes à l'avant (extrémité ouverte) du cadre de montage avec (4) boulons et écrous.



- A. Roulettes pivotantes
- B. Roulettes fixes
- C. Extrémité ouverte du cadre de montage
- D. Extrémité fermée du cadre de montage

Installer le compacteur sur le cadre de montage

1. Pour empêcher le cadre de montage de se déplacer durant l'installation initiale, bloquer les roues ou placer le cadre contre un mur.
2. Verrouiller les roulettes en abaissant les dispositifs de verrouillage.
3. Incliner l'arrière du compacteur vers l'avant et pousser le compacteur sur le dessus du cadre de montage par-dessus l'extrémité ouverte du cadre.



4. Glisser le compacteur complètement vers l'arrière jusqu'à ce qu'il touche le rebord arrière du cadre de montage.

Installation du compacteur

IMPORTANT : Ne pas saisir la console pour déplacer le compacteur.

1. Mettre le compacteur près de son emplacement final.
2. Saisir les côtés du tiroir du compacteur et placer le fond du tiroir dans les glissières.
3. Soulever le tiroir par la poignée pour faire passer l'avant du tiroir au-dessus des butées.
4. Fermer le tiroir.
5. Vérifier qu'il est possible d'ouvrir facilement le tiroir. Si la pédale frotte contre le plancher, voir d'autres instructions à la section "Réglage de la pédale".
6. Brancher sur une prise reliée à la terre (à trois alvéoles).

Réglage de la pédale

Si la pédale frotte contre le revêtement de sol, on peut modifier la hauteur de la pédale comme suit :

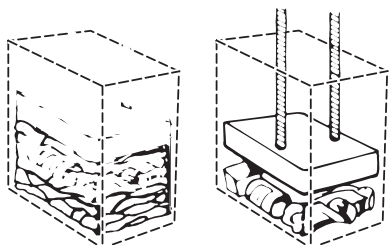
1. Marquer de chaque côté de la pédale la largeur du matériau qui cause le frottement sur le revêtement de sol.
2. Retirer le tiroir de l'appareil. Voir l'étape 3 à la section "Déballage".
3. À l'aide d'une règle et d'un crayon ou d'une craie, tracer une ligne entre les marques tracées de chaque côté de la pédale.
4. À l'aide de ciseaux ou d'un couteau tout usage, découper la pédale le long de la ligne.
5. Réinstaller le tiroir. Si la pédale frotte toujours sur le revêtement de sol, répéter les étapes 1 à 4.

UTILISATION DU COMPACTEUR

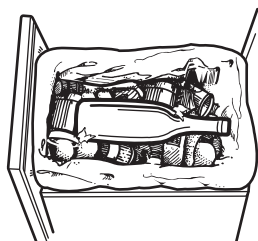
Fonctionnement du compacteur

La presse de compactage est la partie du compacteur qui compresse les déchets. La presse de compactage ne descend pas jusqu'au fond du tiroir. Les premiers déchets chargés ne seront donc pas comprimés les premières fois que vous chargez le compacteur.

REMARQUE : Le tiroir du compacteur doit être rempli à plus de la moitié avant que le compacteur de déchets puisse commencer à compresser la charge. Vous pouvez entendre un bruit lorsque le verre se brise. Des bouteilles en verre robuste peuvent ne pas se briser du tout. Les déchets dans un sac plein de compacteur occuperont environ le quart du volume original.



Charger les déchets volumineux, bouteilles et canettes au centre du tiroir. Les bouteilles ou les canettes qui n'ont pas été mises au centre du tiroir peuvent être coincées entre la presse et le tiroir. Le commutateur du tiroir peut détecter une "erreur de charge" et renvoyer la presse à la position "supérieure" sans qu'il y ait compactage.



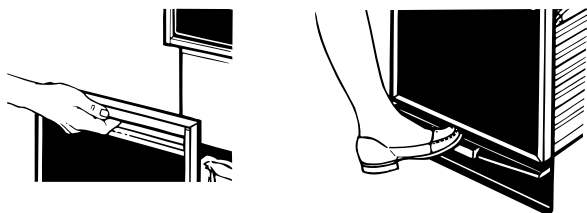
Chargement

IMPORTANT : Ne pas enfoncer les articles dans le compacteur avec les pieds ou les mains.

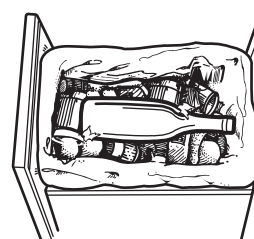
REMARQUE : Vous ne verrez pas les déchets se faire presser les premières fois que vous chargerez le compacteur. Le tiroir du compacteur doit être environ à moitié rempli avant que le compacteur puisse commencer à presser la charge.

1. Ouvrir le tiroir. Soulever et tirer la poignée ou appuyer sur la pédale pour ouvrir le tiroir.

REMARQUE : L'appui sur la pédale ouvre le contenant de 3" à 6" (7,6 cm à 15,2 cm), selon la charge.



2. Placer les déchets dans le compacteur.
 - Envelopper de papier ou recouvrir les déchets humides ou salissants.
 - Ne pas mettre dans le compacteur des matières susceptibles de dégager des mauvaises odeurs, telles que de la viande crue, du poisson, des pelures de pamplemousse, des couches jetables ou des articles d'hygiène personnelle.
 - Charger les bouteilles ou canettes sur le côté au centre du tiroir. Ne pas placer les bouteilles dans une position verticale.



3. Fermer le tiroir.

Mise en marche du compacteur

Mise en marche et arrêt du compacteur

1. Pour mettre le compacteur en marche, tourner le bouton à clé à START (mise en marche) et relâcher. Le compacteur s'arrêtera automatiquement à la fin du programme.



2. Arrêt du compacteur pendant un programme :
 - Tourner le bouton à clé à LOCK/OFF (verrouillage/arrêt).
 - Puis tourner le bouton à clé à ON (marche) pour que la presse du compacteur se lève.
 - Lorsque la presse cesse de lever, vous pouvez ouvrir le tiroir.

Pour enlever le bouton à clé

1. Tourner le bouton à clé à la position LOCK/OFF (verrouillage/arrêt).
2. Enlever le bouton à clé et le garder hors de portée des enfants.

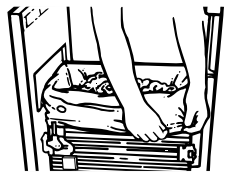


Enlèvement d'un sac rempli

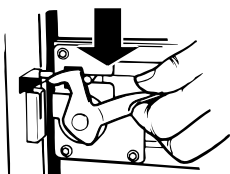
Lorsque les déchets sont comprimés jusqu'au sommet du tiroir, enlever le sac. Si le sac est trop lourd, comprimer moins de déchets la fois suivante.

IMPORTANT : Ne pas enfoncer les articles dans le compacteur avec les pieds ou les mains.

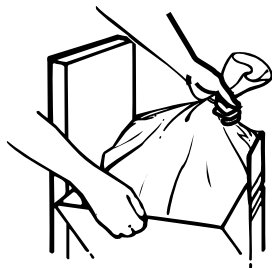
1. Tirer le tiroir pour l'ouvrir complètement.
2. Dégager le haut du sac des boutons de retenue du sac. Tirer vers le haut sur les 4 revers du sac. Fermer le sac avec les attaches fournies.



3. Abaisser le levier de verrouillage et incliner le côté du tiroir pour l'ouvrir.



4. Retirer le sac en le soulevant.



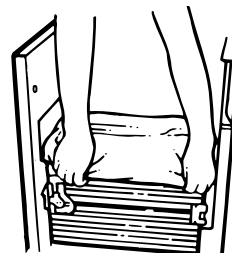
Installation d'un nouveau sac

Ne pas utiliser d'autres sacs que ceux qui sont spécialement conçus pour être utilisés dans votre compacteur. Commander des sacs de remplacement pour le compacteur chez votre marchand local ou en composant le numéro sans frais sur la couverture ou à la section "Assistance ou Service".

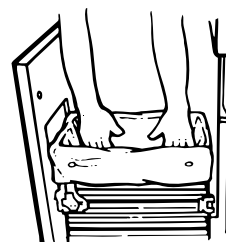
IMPORTANT :

Avant d'installer un nouveau sac, s'assurer que :

- Le côté du tiroir est bien verrouillé.
 - Le contenant est propre et exempt de débris.
1. Placer le sac plié dans le tiroir. Ouvrir le sac et replier le bord supérieur du sac par-dessus le bord du tiroir.



2. Immobiliser le sac en engageant les 4 trous pré-perçés sur les boutons de retenue du sac. Les trous s'agrandiront sur les boutons sans endommager le sac.
3. Pousser l'intérieur du sac contre le fond du tiroir, les côtés et les coins du tiroir, pour qu'il s'adapte bien.



ENTRETIEN DU COMPACTEUR

Votre nouveau compacteur est conçu pour vous donner de nombreuses années de service fiable. Toutefois, vous avez quelques mesures à prendre pour bien maintenir le rendement de votre compacteur. Cette section vous expliquera comment nettoyer et prendre soin de votre compacteur.

Nettoyage

Avant de nettoyer le compacteur, tourner le bouton à clé (ou commutateur à clé) à OFF & LOCK (arrêt et verrouillage) et le retirer.

REMARQUE : Les services autres que les services décrits dans cette section doivent être exécutés par un représentant de service désigné.

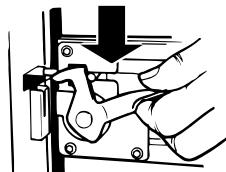
Nettoyage des surfaces extérieures

1. Laver les surfaces extérieures (y compris l'acier inoxydable) avec une éponge propre ou un linge doux et un détergent doux dans de l'eau tiède. Ne pas utiliser de nettoyants abrasifs ou rugueux. Rincer et sécher à fond avec un chiffon doux.
2. Essuyer immédiatement les traces de renversement. Certains aliments peuvent endommager la fini s'ils sont laissés à la surface du compacteur à déchets.

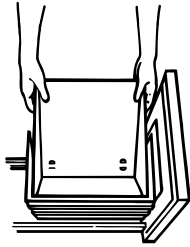
Nettoyage de l'intérieur du tiroir

REMARQUE : Il est préférable de porter des gants protecteurs car des petits débris de verre peuvent se trouver dans la caisse.

1. Enlever le sac. Voir la section "Enlèvement d'un sac rempli".
2. Appuyer sur le levier de verrouillage à bascule (ou le loquet de verrouillage sur le côté).



- Maintenir le levier dans cette position et incliner le côté du tiroir jusqu'à ce que le loquet dépasse le devant du tiroir.
REMARQUE : Il est possible de retirer le côté du tiroir en l'inclinant vers l'extérieur, puis en le soulevant. tiroir jusqu'à ce que le loquet dépasse le devant du tiroir.



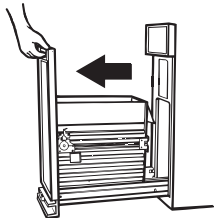
- Laver l'intérieur du tiroir avec une éponge propre ou un linge doux et un détergent doux dans de l'eau tiède. Rincer et sécher à fond avec un chiffon doux.
- Si le côté du tiroir a été enlevé, remettre le côté du tiroir en position inclinée.
- Abaisser le levier (ou loquet de verrouillage sur le côté) tout en poussant sur le côté du tiroir pour le remettre en position verticale.
- Verrouiller le côté du tiroir en poussant le levier (ou loquet de verrouillage sur le côté) vers le haut.

Nettoyage de l'intérieur de la caisse

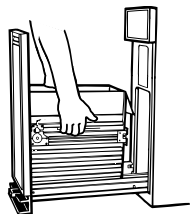
REMARQUE : Il est préférable de porter des gants protecteurs car des petits débris de verre peuvent se trouver dans le tiroir.

- Tirer le tiroir vers l'extérieur jusqu'à la butée.

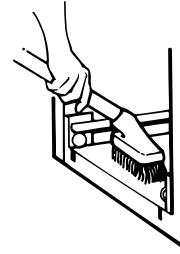
REMARQUE : Remarquer comment les roulettes du tiroir se déplacent dans les rainures. Il sera plus facile de replacer le tiroir lorsque vous aurez terminé le nettoyage.



- Soulever le devant du tiroir pour franchir les butées.
- Saisir les côtés du tiroir et le tirer jusqu'à ce qu'il sorte complètement. Le déposer délicatement.



- Passer l'aspirateur à l'intérieur de la caisse. Les liquides renversés ou les déchets humides doivent être nettoyés à la main ou au moyen d'un aspirateur conçu pour aspirer les liquides.

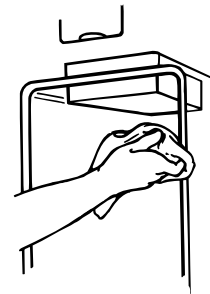


- Laver l'intérieur de la caisse avec une éponge propre ou un linge doux et un détergent doux dans de l'eau tiède. Rincer et sécher à fond avec un linge doux.
- Pour replacer le tiroir, saisir les côtés du tiroir et insérer les roulettes du tiroir dans les rainures.
- Soulever le devant du tiroir et le pousser complètement au-delà des butées.

Nettoyage de la presse

REMARQUE : Il est préférable de porter des gants protecteurs car des petits débris de verre peuvent se trouver sur le revêtement de la presse.

- Enlever les particules de verre en essuyant le revêtement de la presse avec un linge ou un essuie-tout.
- Enlever les aliments avec une éponge propre ou un linge doux et un détergent dans de l'eau tiède. Rincer et sécher à fond avec un linge doux.



Nettoyage avant des vacances

Si vous vous absentez pendant plus de quelques jours, enlever le sac du compacteur. Enlever le bouton à clé (ou commutateur à clé) et le remettre hors de la portée des enfants.

DÉPANNAGE

Essayer d'abord les solutions suggérées ici; elles pourraient vous éviter le coût d'une visite de service.

La presse ne compacte pas les déchets

- **Le tiroir est-il moins qu'à moitié rempli?** Le tiroir doit être rempli à plus de la moitié avant que les déchets soient pressés.

Votre compacteur ne fonctionne pas

- **Le cordon d'alimentation est-il débranché?** Le brancher dans une prise de courant à 3 alvéoles reliée à la terre.
- **Un fusible est-il grillé ou le disjoncteur s'est-il déclenché?** Remplacer le fusible ou réenclencher le disjoncteur. Si le problème persiste, appeler un électricien.
- **Le tiroir est-il complètement fermé?** Bien fermer le tiroir et remettre de nouveau en marche le compacteur.
- **Le bouton à clé est-il tourné au complet à START (mise en marche)?** Tourner le bouton à clé (commutateur à clé) complètement à START (mise en marche) et le relâcher (sur certains modèles). Voir la section "Mise en marche du compacteur".
- **Avez-vous appuyé sur ON (marche) avant d'appuyer sur START (mise en marche)?** Appuyer sur ON (marche) avant d'appuyer sur START (sur certains modèles). Voir la section "Mise en marche du compacteur".

Le tiroir ne s'ouvre pas

- **La presse est-elle complètement relevée?** Le tiroir s'ouvre seulement lorsque la presse est complètement relevée.
- Pour relever la presse des modèles avec bouton à clé (ou commutateur à clé) : Tourner le bouton à clé (commutateur à clé) complètement à START (mise en marche) et le relâcher. Voir la section "Mise en marche du compacteur".
- **Pour relever la presse des modèles avec commandes à boutons-poussoirs :** Appuyer sur OFF (arrêt) et ensuite appuyer sur ON (marche). Voir la section "Mise en marche du compacteur".
- **Le programme Solide a-t-il été engagé?** Le contenant reste VERROUILLÉ jusqu'à ce que l'on procède au réenclenchement en soulevant la pédale.

Compression ou force insuffisante

- **Utilisez-vous assez souvent le programme de compression?** La compression donne le meilleur résultat lorsqu'on ne place que quelques articles à la fois.

Les bouteilles ne se brisent pas

- **À quelle fréquence remarquez-vous cette situation?** Toutes les bouteilles ne se briseront pas à chaque fois. L'épaisseur du verre d'une bouteille ainsi que la nature des déchets en dessous de celle-ci peuvent empêcher la bouteille de se briser.

GARANTIE

Pour des informations concernant la garantie :

Aux États-Unis, composer le **1 866 342-4089** ou visiter notre site Web à l'adresse

www.gladiatorgarageworks.com

Au Canada, composer le **1 800 807-6777** ou visiter notre site Web à l'adresse

www.gladiatorgarageworks.ca

SEGURIDAD DEL COMPACTADOR

Su seguridad y la seguridad de los demás es muy importante.

Hemos incluido muchos mensajes importantes de seguridad en este manual y en su electrodoméstico. Lea y obedezca siempre todos los mensajes de seguridad.



Este es el símbolo de alerta de seguridad.

Este símbolo le llama la atención sobre peligros potenciales que pueden ocasionar la muerte o una lesión a usted y a los demás.

Todos los mensajes de seguridad irán a continuación del símbolo de advertencia de seguridad y de la palabra "PELIGRO" o "ADVERTENCIA". Estas palabras significan:

 **PELIGRO**

Si no sigue las instrucciones de inmediato, usted puede morir o sufrir una lesión grave.

 **ADVERTENCIA**

Si no sigue las instrucciones, usted puede morir o sufrir una lesión grave.

Todos los mensajes de seguridad le dirán el peligro potencial, le dirán cómo reducir las posibilidades de sufrir una lesión y lo que puede suceder si no se siguen las instrucciones.

Advertencias de la Proposición 65 del estado de California:

ADVERTENCIA: Este producto contiene una o más sustancias químicas identificadas por el estado de California como causantes de cáncer.

ADVERTENCIA: Este producto contiene una o más sustancias químicas identificadas por el estado de California como causantes de defectos congénitos o algún otro tipo de daños en la función reproductora.

INSTRUCCIONES IMPORTANTES DE SEGURIDAD

ADVERTENCIA: Al usar artefactos eléctricos, se deben seguir siempre precauciones básicas, incluyendo las siguientes:

- Lea todas las instrucciones antes de usar el compactador.
- Siempre que los niños usen o estén cerca del aparato es necesario vigilarlos. No permita que se use como juguete y en ningún momento lo deje funcionando solo. Bloquee el interruptor llave cuando no esté en uso y guarde la llave fuera del alcance de los niños.
- No toque las piezas mientras estén en movimiento.
- No ponga a funcionar el aparato si tiene el cable eléctrico, el enchufe o el motor dañado, o si ha sufrido algún tipo de avería. Contrate un técnico en reparaciones autorizado para que revise, repare o regule el compactador.
- Use el aparato sólo para los fines que se describen en este manual. No use otros accesorios que no sean los recomendados por el fabricante.
- No comprima material tóxico o inflamable y volátil como paños grasos e insecticidas en aerosol. No comprima cigarrillos encendidos, habanos u otros artículos calientes o encendidos. No sobrecargue el compactador.
- No desarme el compactador. El reensamblaje incorrecto puede ocasionar choque eléctrico cuando lo use posteriormente.
- Manipule con cuidado las bolsas llenas de basura. Los objetos puntiagudos pueden perforar la bolsa y ocasionar lesiones. No sobrecargue la bolsa de basura con material pesado como vidrios.
- Este compactador está destinado sólo para uso doméstico.

GUARDE ESTAS INSTRUCCIONES

INSTRUCCIONES DE INSTALACIÓN

Instalador(a): Deje el Manual de uso y cuidado con el(la) dueño(a) de casa.

Dueño(a) de casa: Guarde el Manual de uso y cuidado para consulta futura y para el uso del inspector de electricidad local si lo requiere.

Herramientas y piezas

Reúna las herramientas y piezas necesarias antes de comenzar la instalación.

Herramientas necesarias:

- Nivel
- Alicates
- Llave de cubo de cabeza hexagonal de 5/16"
- Llave de cubo de cabeza hexagonal de 7/16"
- Cinta para medir
- Cuchillo para uso general
- Destornillador de hoja plana

Piezas provistas:

- Marco de las ruedecillas
- Tuercas (16)
- Ruedecillas fijas con frenos (2)
- Pernos (16)
- Ruedecillas giratorias (2)

Desempaque del compactador

⚠ ADVERTENCIA

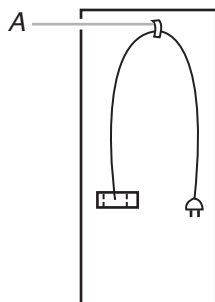
Peligro de Peso Excesivo

Use dos o más personas para mover e instalar el compactador.

No seguir esta instrucción puede ocasionar una lesión en la espalda u otro tipo de lesiones.

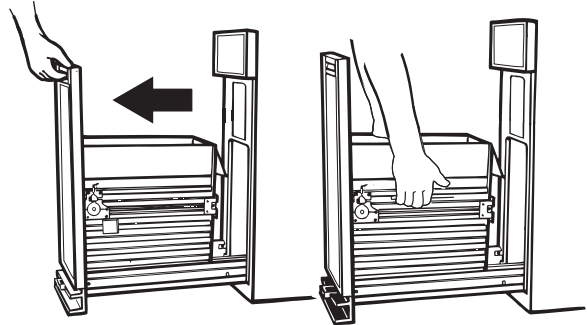
IMPORTANTE:

- Para mover el compactador no lo sujete por la consola.
 - Comience en el cuarto donde va a permanecer el compactador.
1. Saque el compactador de su cartón de embalaje.
 2. Saque todos los materiales protectores de embalaje como la cinta adhesiva y los rellenos de embalaje.
 3. Use un detergente suave y agua tibia para quitar el residuo ceroso ocasionado por el material protector de embalaje.
 4. Seque meticulosamente con un paño suave. Para obtener más información, vea "Limpieza".
 5. Cerciórese de que el cable eléctrico esté fijo a la abrazadera del cable en a la parte posterior del compactador.

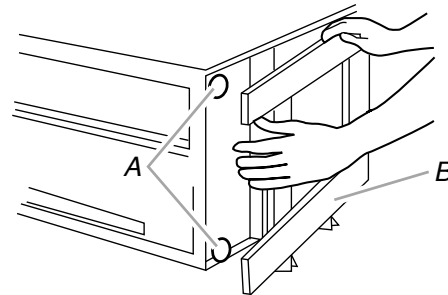


A. Abrazadera del cable

6. Coloque los 2 esquinales del cartón en el piso cerca del compactador.
7. Abra la gaveta del compactador y saque todo material de embalaje u otro artículo que se encuentre en la gaveta.
NOTA: No saque la bolsa del compactador.
8. Sujete la manija y levante el frente de la gaveta hasta que pase los topes de la gaveta.
9. Sujete ambos lados de la gaveta y levante la gaveta fuera del compactador.
10. Coloque la gaveta sobre los 2 esquinales.



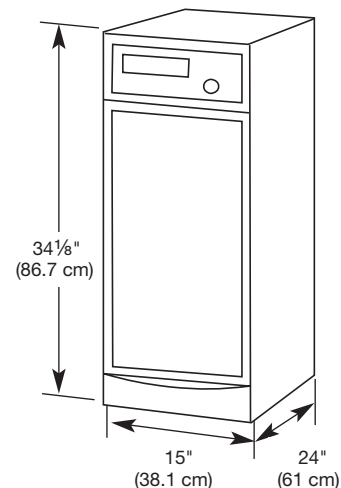
11. Coloque los otros 2 esquinales en el piso al costado del compactador.
12. Sujete ambos lados de la carcasa del compactador y recueste el compactador de costado, sobre los esquinales.
13. Quite la base de embalaje del fondo del compactador.



A. Patas niveladoras
B. Base de embalaje

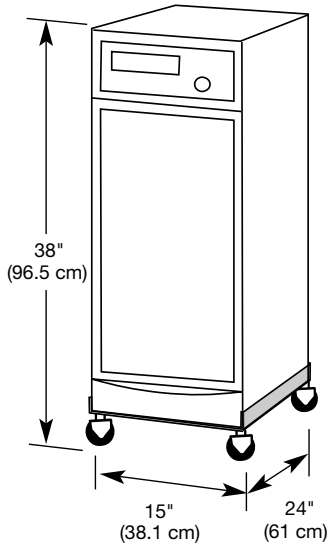
Requisitos de ubicación

Dimensiones del producto

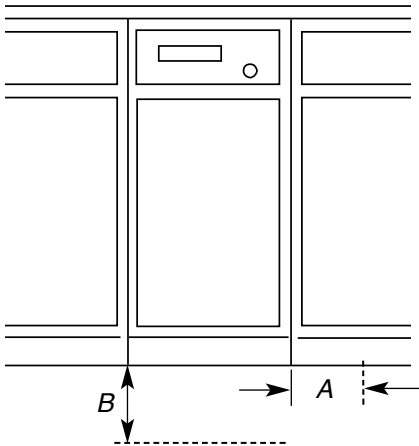


Dimensiones del producto con las ruedecillas

NOTA: Al ubicar el compactador sobre el marco de las ruedecillas, la altura del mismo aumentará a 38" (96,5 cm).



Dimensiones del espacio libre



- A. Deje 6" (15,2 cm) de espacio libre al lado derecho del compactador para poder sacar las bolsas del compactador.
- B. Deje 23" (58,4 cm) de espacio libre al frente del compactador para poder abrir o sacar completamente el cajón del compactador.

Requisitos eléctricos

⚠ ADVERTENCIA



Peligro de Choque Eléctrico

Conecte a un contacto de pared de conexión a tierra de 3 terminales.

No quite la terminal de conexión a tierra.

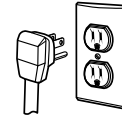
No use un adaptador.

No use un cable eléctrico de extensión.

No seguir estas instrucciones puede ocasionar la muerte, incendio o choque eléctrico.

Método recomendado de conexión a tierra

Este compactador emplea un suministro eléctrico monofásico, debidamente conectado a tierra, de 115 voltios, 60 Hz, CA solamente, de 15 ó 20 amperios, protegido con fusibles, y está equipado con un enchufe de tierra tal como se ilustra a continuación. Asimismo se recomienda el empleo de un circuito exclusivo para este aparato.



Este compactador debe mantenerse conectado a tierra mientras esté en uso para reducir el riesgo de choque eléctrico. El compactador viene equipado con un cable eléctrico de tres conductores y un enchufe de tres terminales del tipo conectado a tierra para que pueda encajar en el tomacorriente conectado a tierra apropiado. El conductor verde (o verde y amarillo) del cable eléctrico es el alambre de conexión a tierra.

NOTA: No conecte el alambre verde (o verde y amarillo) a un terminal con corriente.

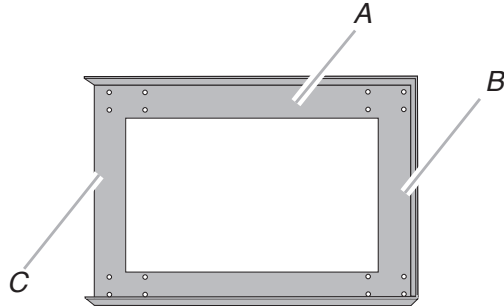
Instalación de las ruedecillas (opcional)

IMPORTANTE:

- Para mover el compactador no lo sujete por el panel de control.
- Deslice el compactador hacia un cartón o un tablero antes de desplazarlo por el piso para evitar que se dañe el revestimiento del piso.
- Al levantar o mover el compactador no deje que el marco posterior del compactador toque el revestimiento del piso.

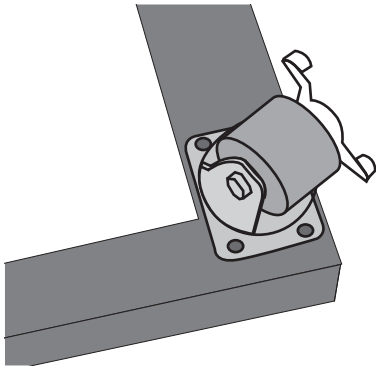
Ensamblaje del marco de las ruedecillas

1. Ubique el marco de las ruedecillas. Acomódelo en el piso con el reborde mirando hacia abajo.

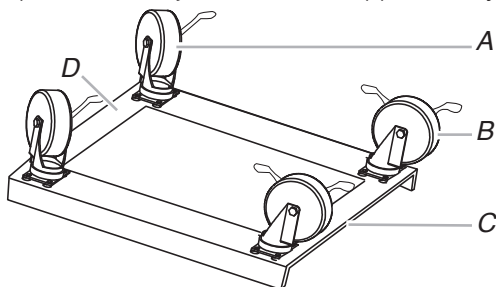


- A. Marco de las ruedecillas
- B. Extremo cerrado del marco de las ruedecillas (con reborde)
- C. Extremo abierto del marco de las ruedecillas (sin reborde)

2. Instale las (2) ruedecillas giratorias en la parte trasera (extremo cerrado) del ensamblaje del marco con (4) pernos y tuercas.



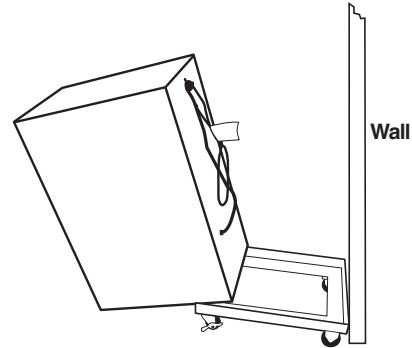
3. Instale las (2) ruedecillas fijas en la parte delantera (extremo abierto) del ensamblaje del marco con (4) tornillos y tuercas.



- A. Ruedecillas giratorias
- B. Ruedecillas fijas
- C. Extremo abierto del ensamblaje del marco
- D. Extremo cerrado del ensamblaje del marco

Cómo instalar el compactador en el ensamblaje de las ruedecillas

1. Para evitar que el marco de las ruedecillas se mueva durante la instalación inicial, trabe las ruedas o ponga el marco contra la pared.
2. Trabe las ruedecillas en su lugar empujando las trabas hacia abajo.
3. Incline la parte posterior del compactador hacia adelante y empújelo sobre el ensamblaje de marco de las ruedecillas, sobre el extremo abierto del marco.



4. Deslice el compactador hasta el fondo hasta que toque el reborde posterior del marco de las ruedecillas.

Instalación del compactador

IMPORTANTE: Para mover el compactador no lo sujete por el panel de control.

1. Mueva el compactador cerca de su ubicación final.
2. Sujete los lados del cajón del compactador y coloque el fondo del cajón en los rieles.
3. Levántelo en la parte de la manija de modo que el cajón pase los topes.
4. Cierre el cajón.
5. Verifique que el cajón se abra libremente. Si la placa de base roza el revestimiento del piso, vea "Cómo ajustar la placa de base" para más instrucciones.
6. Conecte a un contacto de pared de conexión a tierra de 3 terminales.

Cómo ajustar de la placa de base

Si la placa de base roza el revestimiento del piso, el espacio libre de la placa de base puede cambiarse como sigue:

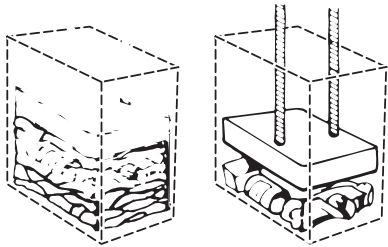
1. Marque a cada lado de la placa de base la cantidad de la placa de base que roza el revestimiento del piso.
2. Saque el cajón del aparato. Vea el paso 3 en la sección "Desempaque".
3. Use una regla y un lápiz o una tiza para trazar una línea entre las marcas laterales de la placa de base.
4. Use la tijera o el cuchillo de uso general para cortar la placa de base a lo largo de la línea.
5. Vuelva a colocar el cajón. Si la placa de base todavía roza el revestimiento del piso, repita los pasos del 1 a 4.

USO DEL COMPACTADOR

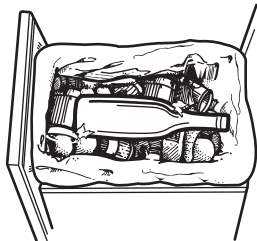
Cómo funciona su compactador

El pisón de compresión es la parte del compactador que comprime la basura. El pisón de compresión no llega hasta el fondo de la gaveta. Las primeras veces que usted cargue el compactador no verá la compactación de la basura.

NOTA: La gaveta del compactador deberá llenarse más de la mitad para que el compactador comience a comprimir la carga. Al romperse los vidrios podrá oír ruidos. Las botellas de vidrio resistente quizás no se rompan en absoluto. La basura en una bolsa de compactador llena tendrá 1/4 del tamaño de su volumen original.



Ubique la basura voluminosa, botellas y latas en el centro de la gaveta. Las botellas o latas que no se coloquen en el centro pueden quedar atascadas entre el pisón y la gaveta. El Interruptor de control de la gaveta luego detecta una carga mal colocada y hace que el pisón regrese a su posición de arriba sin compactar.



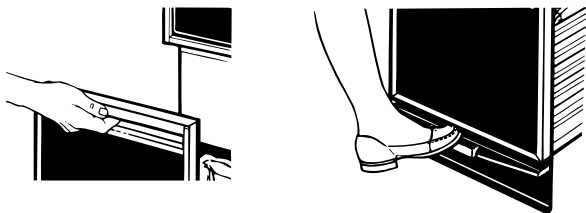
Cómo cargar

IMPORTANTE: No empuje los artículos hacia dentro del compactador con las manos o los pies.

NOTA: Las primeras veces que usted cargue el compactador no verá la compactación de la basura. El cajón del compactador deberá llenarse más o menos hasta la mitad para que el compactador comience a comprimir la carga.

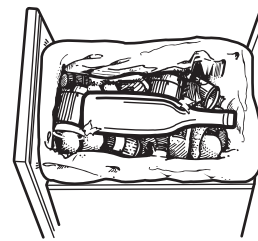
1. Abra el cajón. Levante y jale la manija o presione la barra de base para abrir el cajón.

NOTA: Al presionar la barra de base el recipiente se abre solamente de 3" a 6" (7,6 cm a 15,2 cm), según la carga.



2. Coloque la basura en el compactador.
 - Envuelva o tape la basura mojada o desordenada.

- No ponga en el compactador artículos que puedan desarrollar olores ofensivos como la carne cruda, pescado, cáscaras de toronjas, pañales desechables o artículos de higiene personal.
- Recueste las botellas o latas en el centro del cajón. No ponga las botellas de pie.



3. Cierre el cajón.

Puesta en marcha del compactador

Para encender y apagar el compactador

1. Para encender el compactador, gire la perilla llave hacia START (Puesta en marcha), y luego suéltela. El compactador se detendrá automáticamente al término del ciclo.



2. Para detener el compactador durante un ciclo:
 - Gire la perilla llave a LOCK/OFF (Trabado/Apagado).
 - Gire la perilla llave hacia ON (Encendido) para que el pisón de compactación se levante.
 - Cuando el émbolo deje de levantarse, usted podrá abrir el cajón.

Para quitar la perilla llave

1. Gire la Perilla llave hacia la posición LOCK/OFF (Trabado/Apagado).
2. Retire la perilla llave y guárdela fuera del alcance de los niños.



Eliminación de bolsas llenas

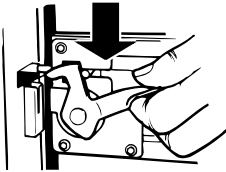
Una vez que la basura haya sido compactada hasta la parte superior de la gaveta, saque la bolsa. Si la bolsa está demasiado pesada, en el futuro compacte menos basura antes de sacarla.

IMPORTANTE: No empuje los artículos hacia abajo en el compactador con las manos ni con los pies.

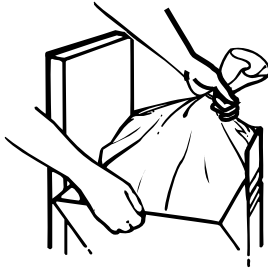
1. Jale la gaveta hasta abrirla por completo.
2. Separe la parte superior de la bolsa de los botones de retención de la misma. Jale hacia arriba los cuatro dobleces. Cierre la bolsa con las ataduras de alambre que vienen provistas.



3. Oprima el pestillo de la traba lateral hacia abajo e incline el lado de la gaveta para abrir.



4. Saque la bolsa.



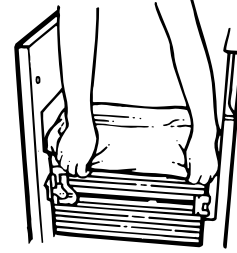
Instalación de una bolsa nueva

No emplee otro tipo de bolsas que las diseñadas especialmente para uso con el compactador. Solicite las bolsas de repuesto para el compactador por medio de su distribuidor local o llamando al número gratuito indicado en la contraportada o en la sección "Ayuda o servicio técnico".

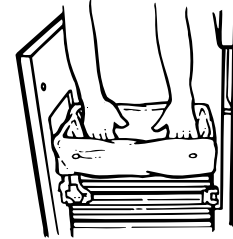
IMPORTANTE:

Antes de instalar una bolsa nueva, cerciórese de que:

- El lado de la gaveta esté bien asegurado.
 - El recipiente esté limpio y libre de desechos.
1. Coloque la bolsa doblada en la gaveta. Abra la bolsa y jale los bordes superiores sobre la parte superior de la gaveta.



2. Asegure la bolsa en su lugar jalando los cuatro agujeros preperforados sobre los botones de retención de la bolsa. Los agujeros se expandirán sobre los botones sin dañar la bolsa.
3. Presione el interior de la bolsa contra el fondo, los lados y las esquinas de la gaveta para lograr que encaje bien.



CUIDADO DEL COMPACTADOR

Su nuevo compactador está diseñado para brindarle muchos años de servicio confiable. Sin embargo, para mantener el compactador adecuadamente usted tendrá que ocuparse de ciertos detalles. Esta sección le proporciona indicaciones acerca de la limpieza y el cuidado de su compactador.

Limpieza

Antes de limpiar el compactador, gire la perilla llave (o interruptor llave) a la posición OFF & LOCK (apagado y trabado) y retírela.

NOTA: Cualquier otro servicio que no esté descrito en esta sección deberá efectuarlo un representante de servicio técnico designado.

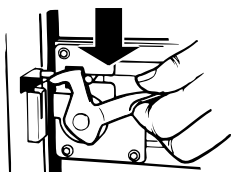
Limpieza de las superficies exteriores

1. Lave las superficies exteriores (incluyendo el acero inoxidable) con una esponja limpia o un paño liso y un detergente suave en agua tibia. No use productos de limpieza abrasivos o ásperos. Enjuague y seque meticulosamente con un paño liso.
2. Limpie los derrames de inmediato. Ciertos alimentos pueden dañar el acabado si se dejan en la superficie del compactador.

Limpieza del interior de la gaveta

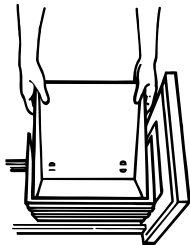
NOTA: Quizás sea necesario ponerse guantes protectores ya que podrían encontrarse pedacitos de vidrio en la gaveta.

1. Saque la bolsa. Vea la sección "Eliminación de bolsas llenas".
2. Presione hacia abajo la traba de palanca (o el pestillo de la traba lateral).



3. Sostenga hacia abajo la traba de palanca e incline el costado de la gaveta hacia afuera hasta que la traba libere el frente de la gaveta.

NOTA: Si lo desea, puede quitar el lado de la gaveta inclinándolo hacia arriba y luego levantándolo hacia afuera.



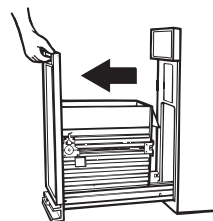
4. Lave el interior de la gaveta con una esponja limpia o un paño liso y un detergente suave en agua tibia. Enjuague y seque meticulosamente con un paño liso.
5. Si ha quitado el lado de la gaveta, deslícelo de vuelta hacia la posición inclinada.
6. Presione la traba de palanca (o el pestillo de la traba lateral) hacia abajo empujando al mismo tiempo el lado de la gaveta hacia la posición vertical.
7. Asegure el lado de la gaveta empujando hacia arriba la traba de palanca (o el pestillo de la traba lateral).

Limpieza del interior de la carcasa

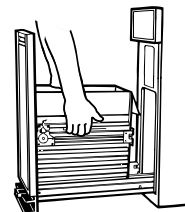
NOTA: Quizás sea necesario ponerse guantes protectores ya que podrían encontrarse pedacitos de vidrio en la carcasa.

1. Jale la gaveta hacia fuera hasta que se detenga.

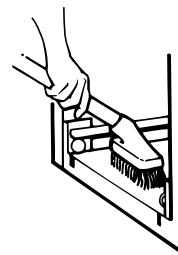
NOTA: Fíjese cómo se mueven los rodillos de la gaveta en los rieles. Le será más fácil volver a montar la gaveta después de haber terminado la limpieza.



2. Levante el frente de la gaveta para pasar los topes.
3. Sujete la gaveta por los lados y júlela hacia afuera por completo. Ponga la gaveta en el piso con cuidado.



4. Pase la aspiradora en el interior de la carcasa. Los derrames de líquidos o basura mojada deben limpiarse a mano, o usando una aspiradora diseñada para recoger líquidos.

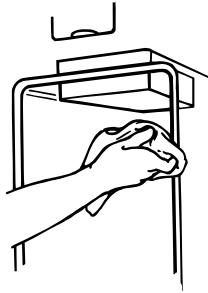


5. Lave el interior de la carcasa con una esponja limpia o un paño liso y un detergente suave en agua tibia. Enjuague y seque meticulosamente con un paño liso.
6. Para volver a colocar la gaveta, sujétela por ambos lados e introduzca los rodillos en los rieles.
7. Levante el frente de la gaveta y empújelo hasta pasar los topes.

Limpeza del pisón

NOTA: Quizás sea necesario ponerse guantes protectores ya que podrían encontrarse pedacitos de vidrio en la cubierta del pisón.

1. Limpie las partículas de vidrio de la cubierta del pisón con un paño o toallas de papel.
2. Quite los alimentos con una esponja limpia o un paño liso y un detergente suave en agua tibia. Enjuague y seque meticulosamente con un paño liso.



Limpeza antes de las vacaciones

Si va a ausentarse más de un par de días, quite la bolsa del compactador. Quite la perilla llave (o el interruptor llave) y guárdela fuera del alcance de los niños

LOCALIZACIÓN Y REPARACIÓN DE AVERÍAS

Pruebe primero las soluciones aquí sugeridas y posiblemente se evite el costo de una visita de servicio técnico innecesaria.

La basura no está compactándose

- **Está la gaveta llena menos de la mitad?** La gaveta deberá estar llena más de la mitad para poder compactar la basura.

El compactador no funciona

- **Está desenchufado el cable de suministro eléctrico?** Enchúfelo en un contacto de tres terminales conectado a tierra.
- **Se quemó un fusible de la casa o se disparó un disyuntor?** Reemplace el fusible o reposicione el circuito. Si el problema continúa, llame a un electricista.
- **Está la gaveta completamente cerrada?** Cierre la gaveta con firmeza y reanude la marcha el compactador.
- **Ha girado la perilla llave completamente hacia START (puesta en marcha)?** Gire la perilla llave (interruptor llave) por completo hacia START y suéltela (en algunos modelos). Vea la sección "Puesta en marcha de su compactador".
- **Ha presionado ON (encendido) antes de presionar START?** Presione ON antes de presionar START (en algunos modelos). Vea la sección "Puesta en marcha de su compactador"

La gaveta no se abre

- **Está el pisón completamente arriba?** La gaveta se abrirá únicamente cuando el pisón esté levantado por completo.
- **Para levantar el pisón en modelos dotados de perilla llave (o interruptor llave):** Gire la perilla llave (interruptor llave) hacia START y suéltela. Vea la sección "Puesta en marcha de su compactador".
- **Para levantar el pisón en modelos dotados de controles con botón pulsador:** Presione OFF (apagado) y luego presione ON. Vea la sección "Puesta en marcha de su compactador".
- **Está funcionando el ciclo para sólidos?** El cajón permanece trabado (LOCKED) hasta que usted lo reajuste levantando el pedal.

La compactación o fuerza no es suficiente

- **Usa el ciclo de compactación con bastante frecuencia?** La compactación funciona mejor cuando sólo se colocan pocos artículos.

Las botellas no se rompen

- **Con qué frecuencia ha notado esto?** Las botellas no se rompen siempre. El espesor del vidrio de la botella y el contenido de la carga de basura que esté debajo puede evitar que la botella se rompa.

GARANTÍA

Para obtener información sobre la garantía:

En EE. UU., llame al **1-866-342-4089** o visite nuestro sitio web en **www.gladiatorgarageworks.com**

En Canadá, llame al **1-800-807-6777** o visite nuestro sitio web en **www.gladiatorgarageworks.ca**