



Models / Modèles / Modelos

**Charcoal /
Charbon /
Carbón**

GAWUXXCPVK

**Granite /
Ardoise /
Granito**

GAWA18SKRH
GAWA24SKRH
GAWA4PBSJG
GAWA8HMHKG
GAWAJL8PPH
GAWALP8PPH
GAWU18BKBH
GAWU24MBBH
GAWUXXBHRH
GAWUXXBMTH
GAWUXXCLRH
GAWUXXDHRH
GAWUXXHBTG
GAWUXXSCRH
GAWUXXSHRH
GAWUXXTHRH
GAWUXXTWRH
GAWUXXUHRH
GAWUXXVBRH
GAWUXXWDRH
GAWUXXWHRH
GAWVXXFHTH

**Hammered Granite /
Ardoise Martelée /
Granito Martillado**

GAKT32GFGG

**Light Gray /
Gris Pâle /
Gris Claro**

GAGPUB2PPY
GAWC041PZY
GAWP042PBY
GAWP082PBY
GAWT086PBY
GAAC0232YY
GAGP32GAEY
GAGP32PAEY
GAGP42GBEY
GAGP42PBEY
GAHD48LWGY
GAKT32GPGY
GAKT48BKGY
GAKT48LWGY
GAKT48SLGY
GAKT48SSGY

**Smoke /
Fumée /
Humo**

GAACGE4PPM
GAWESB3PGC

**GEARTRACK®
CHANNELS,
GEARWALL® PANELS,
HOOKS, BINS AND
BASKETS**

Installation Instructions

**PROFILÉS
GEARTRACK®,
PANNEAUX
GEARWALL®,
CROCHETS, BACS ET
PANIERS**

Instructions d'installation

**CANALES
GEARTRACK®,
PANELES GEARWALL®,
GANCHOS,
RECIPIENTES Y
CESTAS**

Instrucciones de instalación

TABLE OF CONTENTS/TABLE DES MATIÈRES/ÍNDICE

GEARTRACK® CHANNELS AND GEARWALL® PANELS INSTALLATION SAFETY	3	SÛRETÉ DES INSTALLATIONS DES PROFILÉS GEARTRACK® ET DES PANNEAUX GEARWALL®	16	SEGURIDAD PARA LA INSTALACIÓN DE CANALES GEARTRACK® Y PANELES GEARWALL®	29
GEARTRACK® CHANNELS/GEARWALL® PANELS INSTALLATION INSTRUCTIONS	3	INSTRUCTIONS D'INSTALLATION DES PROFILÉS GEARTRACK® ET DES PANNEAUX GEARWALL®	16	INSTRUCCIONES PARA LA INSTALACIÓN DE CANALES GEARTRACK®/PANELES GEARWALL®	29
Parts and Tools	3	Pièces et outils.....	16	Piezas y herramientas.....	29
Install the GearTrack® Channels	5	Installation des profilés Gear Track®.....	18	Instale los canales GearTrack®	31
Install the GearWall® Panels	8	Installation des panneaux Gearwall®	21	Instale los paneles Gearwall®.....	34
INSTALLATION INSTRUCTION OF HOOKS, BINS AND BASKETS	13	INSTRUCTION D'INSTALLATION DES CROCHETS, DES BACS ET DES PANIERS	26	INSTRUCCIONES PARA LA INSTALACIÓN DE GANCHOS, RECIPIENTES Y CESTAS	39
Hooks Installation to GearTrack® Channels/GearWall® Panels.....	13	Installation des crochets aux profilés GearTrack®/panneaux GearWall®	26	Instalación de ganchos en canales GearTrack®/paneles GearWall®	39
Install the Claw Hook Advanced Bike Storage v3.0	14	Installation de la pince-crochet porte-vélo de pointe Claw v3.0.....	27	Instale el almacenamiento para bicicletas avanzado con gancho de mordaza v3.0	40
Install the Fishing Pole Hook	14	Installation du crochet pour canne à pêche	27	Instale el gancho para caña de pescar	40
Install the Horizontal Bike Hook.....	15	Installation du crochet portvélo horizontal	28	Instale el gancho para bicicleta horizontal	41
Install the Storage Bin Holder.....	15	Installation du support de bac d'entreposage.....	28	Instale el soporte para recipiente de almacenamiento	41
WARRANTY	15	GARANTIE	28	GARANTÍA	41

GEARTRACK® CHANNELS AND GEARWALL® PANELS INSTALLATION SAFETY

Your safety and the safety of others are very important.

We have provided many important safety messages in this manual and on your appliance. Always read and obey all safety messages.



This is the safety alert symbol.

This symbol alerts you to potential hazards that can kill or hurt you and others.

All safety messages will follow the safety alert symbol and either the word "DANGER" or "WARNING."

These words mean:

⚠ DANGER

You can be killed or seriously injured if you don't immediately follow instructions.

⚠ WARNING

You can be killed or seriously injured if you don't follow instructions.

All safety messages will tell you what the potential hazard is, tell you how to reduce the chance of injury, and tell you what can happen if the instructions are not followed.

GEARTRACK® CHANNELS/GEARWALL® PANELS INSTALLATION INSTRUCTIONS

Parts and Tools

- Remove all parts and fasteners from their packaging, and dispose of/recycle all packaging materials.
- Gather the required tools and parts before starting installation. Read and follow the instructions provided with any tools listed here.

PARTS						
Parts	GearTrack® Channels			GearWall® Panels		
	Masonry / Poured Concrete	Bare Wood Studs	Drywall Over Wood Studs 1/2" (1.3 cm), 5/8" (1.6 cm), 3/4" (1.9 cm)	Masonry / Poured Concrete	Bare Wood Studs	Drywall Over 1/2" (1.3 cm), 5/8" (1.6 cm), 3/4" (1.9 cm)
#8 x 1¼" (3.08 cm)*						
#8 x 2" (5.08 cm) (included)*						
3/16" (4.76 mm) x 1¼" (4.45 cm)**						
Construction adhesive						
2" (5.08 cm) x 4" (10.16 cm) Wooden studs						
1/4" (6.3 mm) x 2¾" (6.99 cm)**						

* Use an all-weather flat-head type deck screw.

** Use a flat-head type masonry screw.

TOOLS						
Tools	GearTrack® Channels			GearWall® Panels		
	Masonry / Poured Concrete	Bare Wood Studs	Drywall Over Wood Studs 1/2" (1.3 cm), 5/8" (1.6 cm), 3/4" (1.9 cm)	Masonry / Poured Concrete	Bare Wood Studs	Drywall Over Wood Studs 1/2" (1.3 cm), 5/8" (1.6 cm), 3/4" (1.9 cm)
Level						
Tape Measure						
Cordless Drill						
1/8" (3 mm) Drill Bit for Pre-drilling holes						
Stud Finder						
Ac Finder						
Square						
Pencil						
Jigsaw						
Circular Saw						
Chalk Line						
Line Level						
Hammer Drill						
Caulk Gun						
Chalk Line With Plumb Bob						
3/16" (4.7 mm) X 5" (12.7 cm) Masonry Drill Bit						
5/32" (3.9 mm) Masonry Drill Bit						

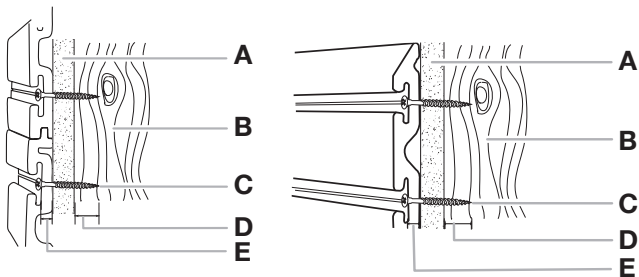
- Screw thread engagement into the wooden stud should be 1" (2.54 cm) minimum. For drywall of a thickness not listed in the chart above, see graphic below.

IMPORTANT: Compare screw length to electrical wire locations. Be sure the screw will not pierce electrical wiring.

NOTE: Maximum weight limit is 75 lbs per linear ft (30.48 cm) for GearTrack® Channels and 50 lbs per sq ft (2.39 kPa) for GearWall® Panels.

GearWall® Panel

GearTrack® Channel



A. Drywall

D. 1" (2.54 cm) min. to 1 1/4" (3.17 cm) max. if near wiring

B. Wooden stud

E. 1/4" (6.3 mm)

C. Flat-head screw in very slot at every stud

Install the GearTrack® Channels

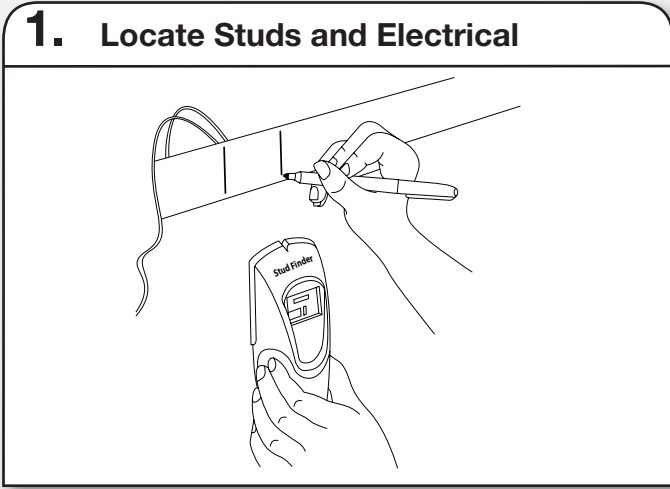
Prepare the Wall

Masonry Block / Poured Concrete Wall

- Before installing GearTrack® to masonry walls, you must waterproof the walls to avoid mildew or foundation damage. Walls that appear dry may actually become damp when enclosed by paneling. Install the channels in accordance with all local codes and ordinances.

Wood Studs and Drywall over Wood Studs

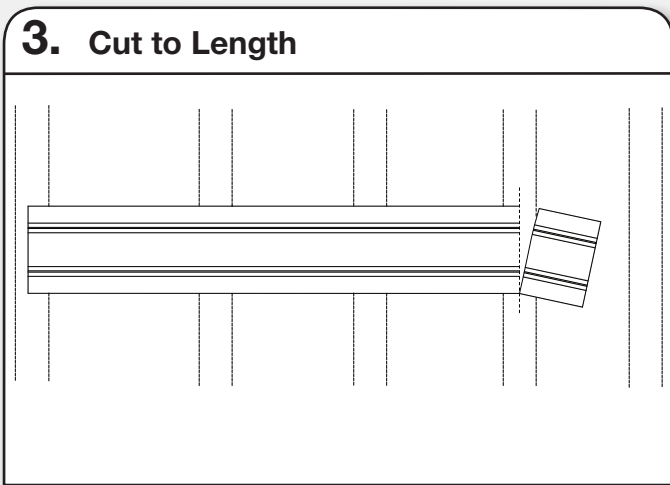
1. Locate Studs and Electrical



- Use a stud finder to mark the edges of the studs within your planned installation area. Be sure to also mark the locations of electrical wiring.

IMPORTANT: Compare screw length to electrical wiring locations. Be sure the screw will not pierce electrical wiring.

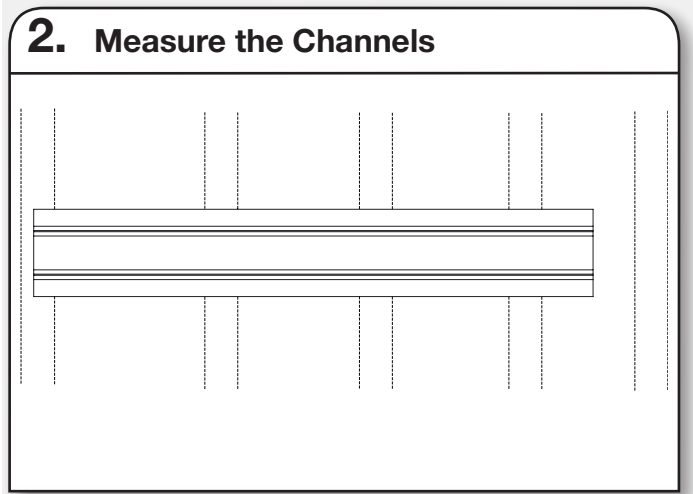
3. Cut to Length



- If necessary, cut the first channel to this length, making sure the cut is square.

NOTE: Channels cut to shorter than 24" (60.96 cm) long should not be used.

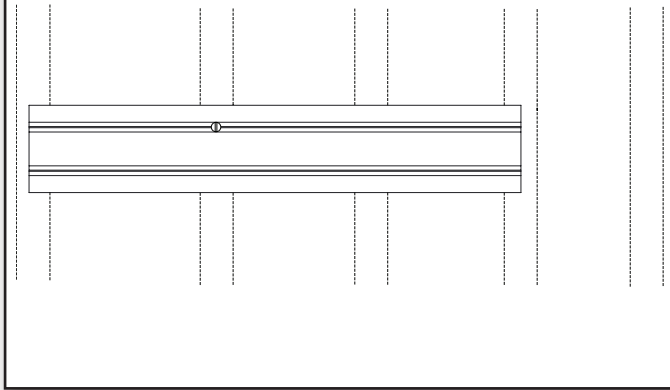
2. Measure the Channels



- GearTrack® Channels should be mounted to the wall so that they begin and end at wooden studs. Measure from the center of the stud at the beginning of the desired coverage area to the center of the last wooden stud that is within 32" (81.3 cm), 42" (106.7 cm) or 48" (121.9 cm), depending on the length of your GearTrack® Channel.

Mounting the Channels

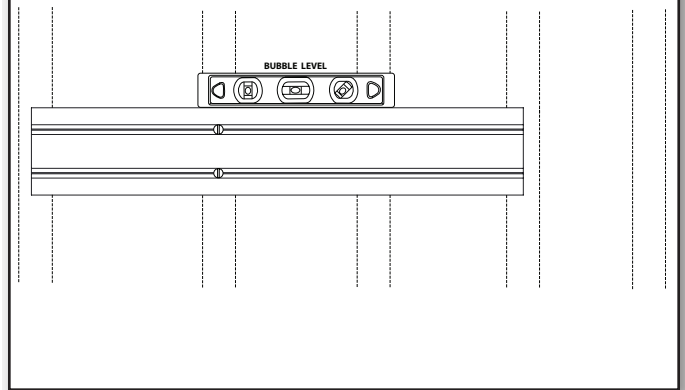
1. Drive First Screw



- Holding the channel up in the desired location, drive a screw through the top slot groove and into the center of the stud nearest to the middle of the channel until it is flush with the surface.

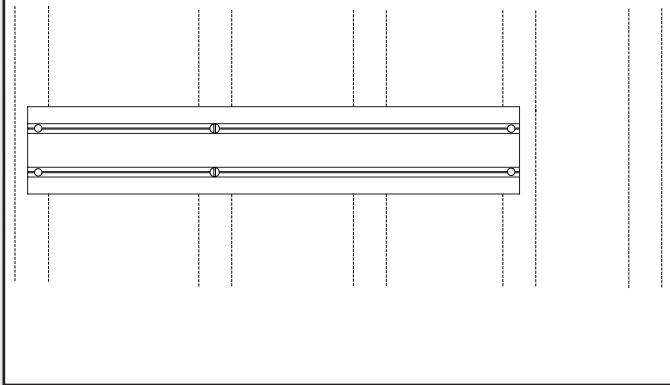
NOTE: If installing GearTrack® Channels on masonry block or poured concrete, you may put construction adhesive on the GearTrack® Channel before attaching it to the wall for extra hold.

2. Level the Channel



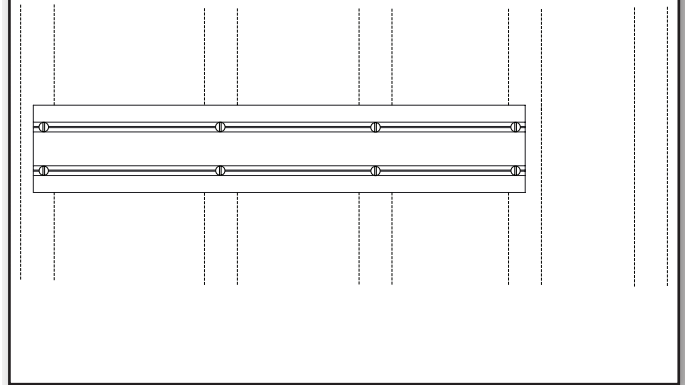
- Check that the GearTrack® Channel is level, and then drive a second screw through the bottom slot groove and into the center of the same stud as in the previous step.

3. Predrill Holes



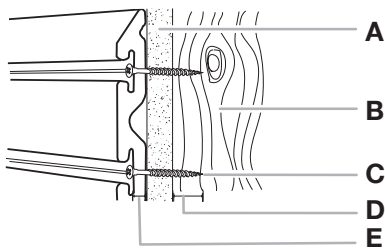
- If splitting occurs, you may find it necessary to predrill and countersink the screw holes near channel ends with a 1/8" (3 mm) drill bit.

4. Drive Remaining Screws



- Drive a screw in every slot at every stud location.

5. Inspect Screw Installation

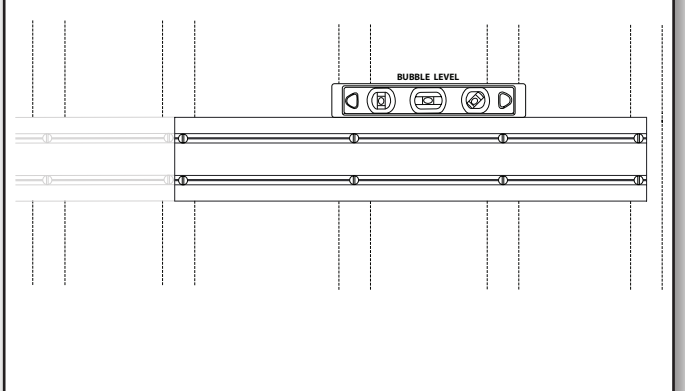


A. Drywall
 B. Wooden stud
 C. Flat-head screw in every slot at every stud

D. 1" (2.54 cm) min. to 1 1/4" (3.17 cm) max. if near wiring
 E. 1/4" (6.3 mm)

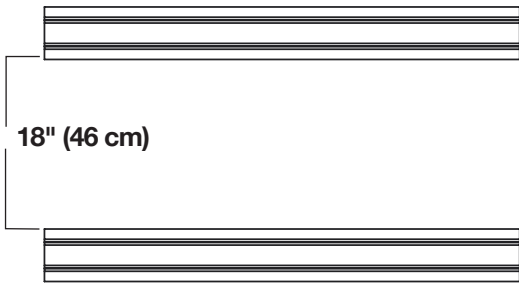
- Make sure all screws are installed and flush with the channel.

6. Repeat for Additional Channels



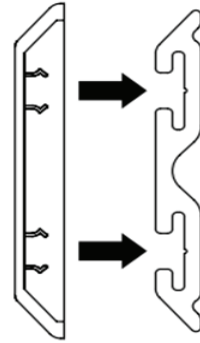
- Repeat this process for the next desired application area.

7. Channel Spacing



NOTE: If channels are to be used to support accessory hooks and/or small item bins, they may be spaced in any way desired. If channels are being used to support Gladiator® Wall GearBoxes, they must be installed 18" (46 cm) apart.

8. Install Ends Caps (sold separately)

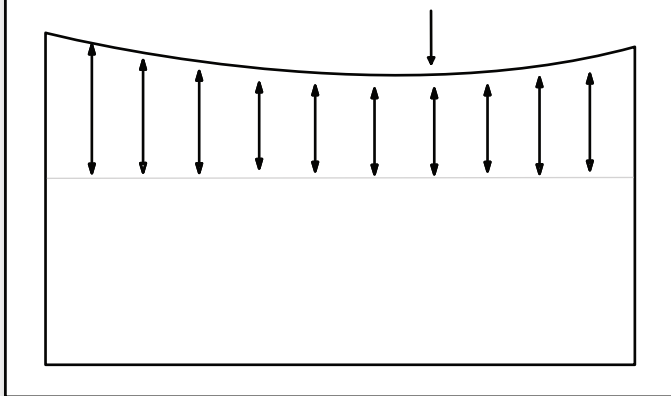


- From the front, snap the end cap onto each end of the run of GearTrack® Channel.

Install the GearWall® Panels

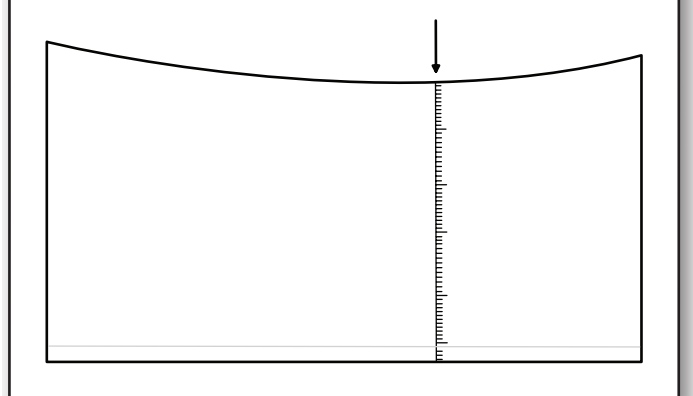
Plan your Installation

1. Measure Ceiling Sag



- Snap a level chalk line at a convenient height on the wall(s). Measure from the chalk line to the ceiling and determine the lowest point of the ceiling along the wall.

2. Mark Bottom of Wall



- Starting from the lowest point of the ceiling, measure down to the floor. Round the measurement down to the nearest foot and mark. Snap a level chalk line 1/4" (6.3 mm) below the mark. Repeat step for remaining walls.

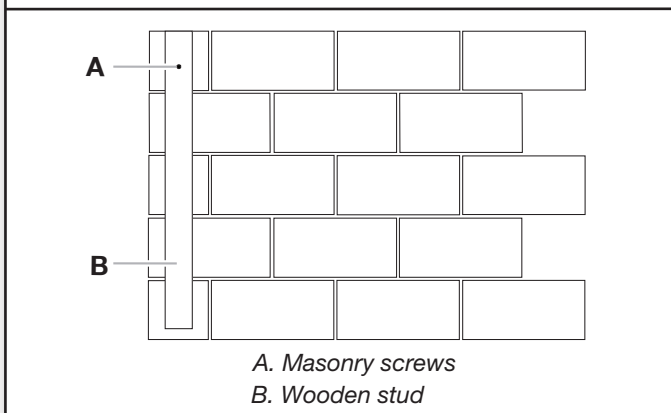
NOTE: For partial wall installation, simply snap a level chalk line at the desired height of the bottom of the wall.

Prepare the Wall

Masonry Block / Poured Concrete Wall

- Before you can install the panels on poured concrete or masonry block walls, you must install 2" (5.08 cm) x 4" (10.16 cm) wooden studs to the wall with the 4" (10.16 cm) side against the wall. The wooden studs must be installed over the entire area to be covered by the GearWall® panels. This provides a level surface on which to mount the panels.

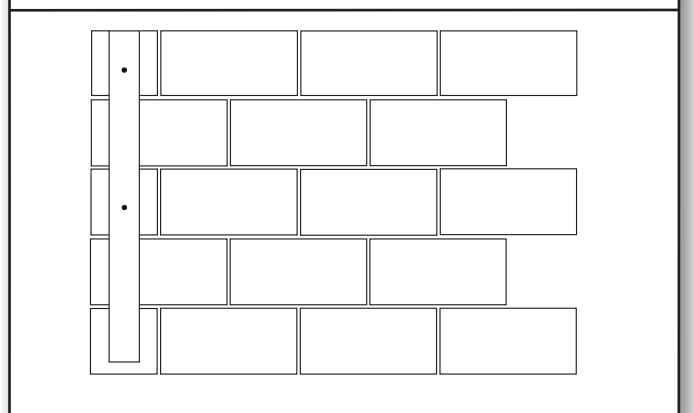
1. Mount First Stud



- Install the first stud at the starting edge of the desired coverage area to act as a guide. Drill a hole through the stud and into the wall surface. Follow masonry screw manufacturer's instructions for proper installation. For best results use a hammer drill and masonry bit.

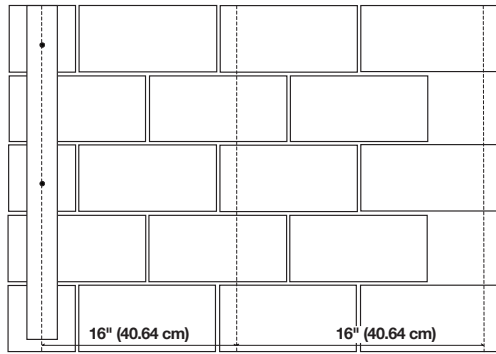
NOTE: For extra hold, you may choose to put construction adhesive on the stud before attaching it to the wall.

2. Secure First Stud



- Secure the stud to the wall by placing 1/4" (6.3 mm) x 2 3/4" (6.9 cm) masonry screws every 18" (45.72 cm).

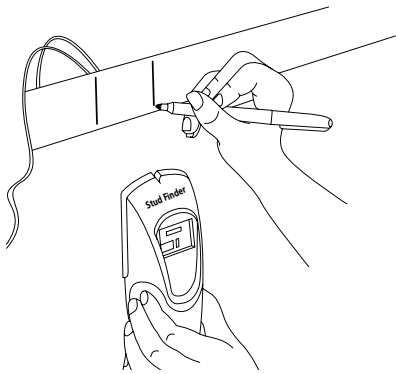
3. Measure Location of Remaining Studs



- Use this stud as your guide. Measure 16" (40.64 cm) from the corner and snap a vertical chalk line using a chalk line with a plumb bob. Snap a chalk line every 16" (40.64 cm) from this point.

Wood Studs and Drywall over Wood Studs

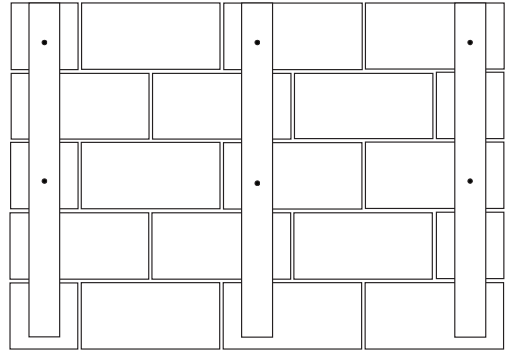
1. Locate Studs and Electrical



- Use a stud finder to mark the edges of the studs within your planned installation area. Be sure to also mark the locations of electrical wiring.

IMPORTANT: Compare screw length to electrical wiring locations. Be sure the screw will not pierce electrical wiring.

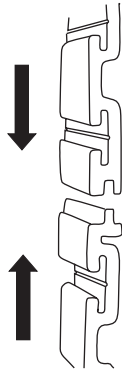
4. Mount Remaining Studs



- Align the center of the stud with the chalk line. Attach the remaining studs to the wall as you did in steps 1-2.

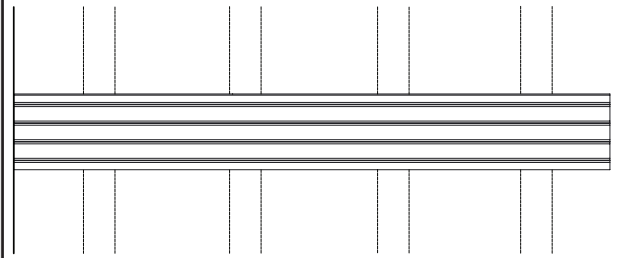
Mount the Panels

1. Orient the Panel



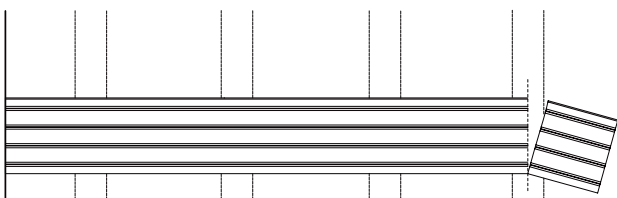
- Panels are installed with the interlock tongue up and the groove down.

2. Measure the Panel



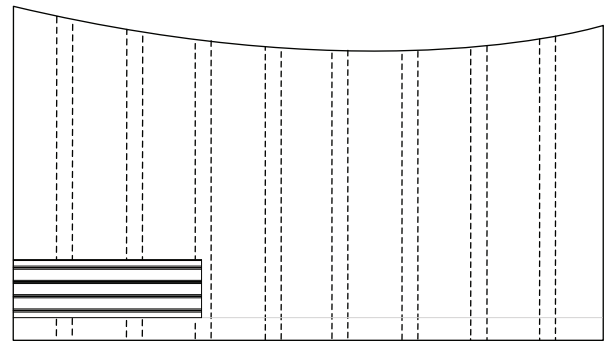
- Measure from the starting edge of the desired coverage area to the center of the last wooden stud that is within 4 ft (1.22 m). Take note of interference with any windows, doors, and outlets.

3. Cut to Length



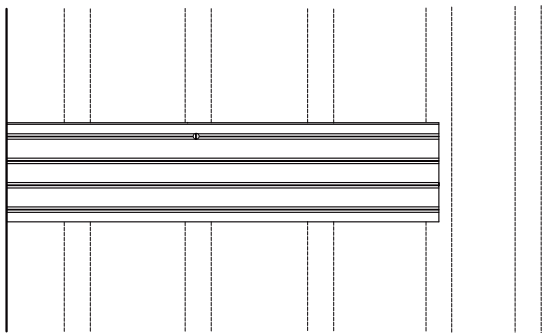
- Cut the first panel to this length, making sure the cut is square. Be sure to also cut around any windows, doors, and outlets.
NOTE: Panels shorter than 24" (60.96 cm) long should not be used.

4. Locate the Panel



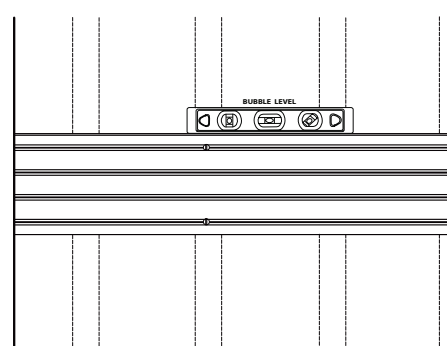
- Place the panel above the horizontal chalk line applied in the "Prepare the Wall" section. Align the panel with both the starting edge and the horizontal chalk line.
NOTE: If installing an optional trim kit, be sure to apply the trim at this time if mounting against an interior corner (see "Trim Options" for details).

5. Drive First Screw



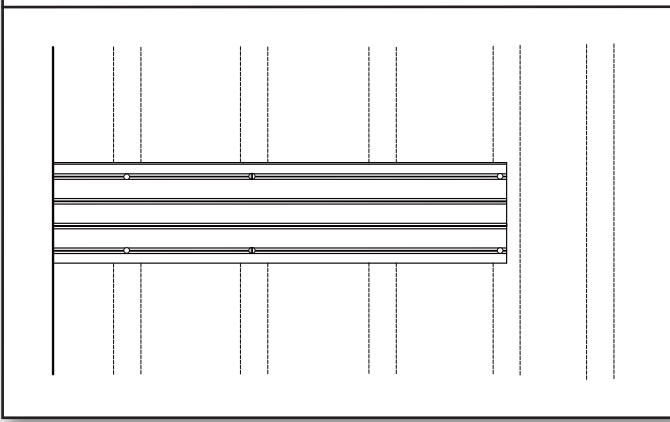
- Holding the panel up in the desired location, drive a screw through the top slot groove and into the stud nearest to the middle of the channel until it is flush with the surface.

6. Level the Panel



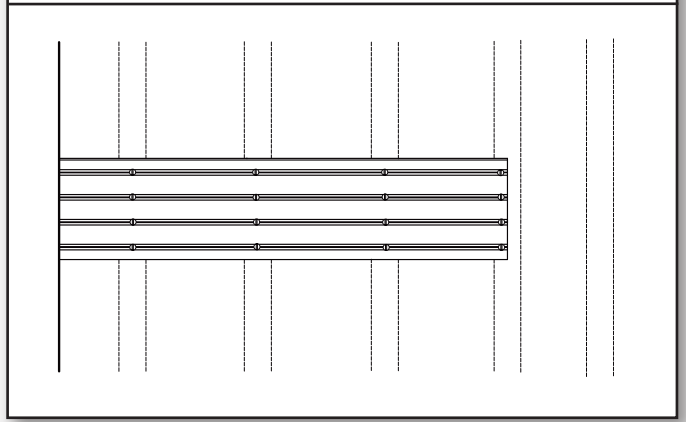
- Check that the panel is level, and then drive a second screw through the bottom slot groove and into the same stud as in the previous step.

7. Predrill Holes



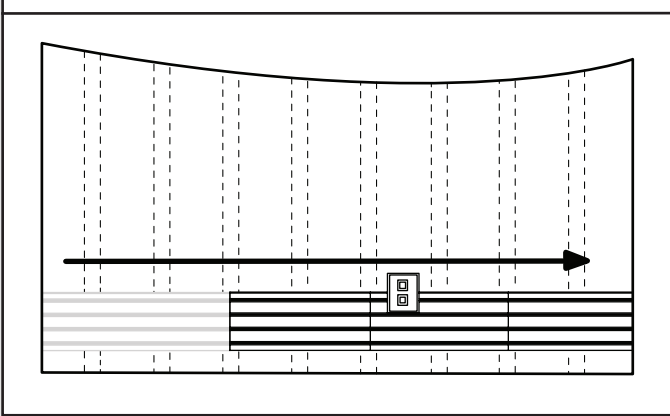
- If splitting occurs, you may find it necessary to predrill and countersink the screw holes near channel ends.

8. Drive Remaining Screws



- Drive a screw in every slot at every stud location.

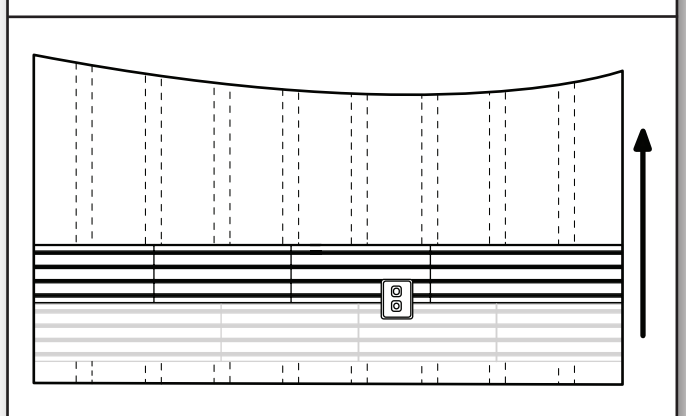
9. Repeat Until Row Complete



- Repeat steps 1-4 with additional panels until you reach the opposite edge of the desired coverage area.

NOTE: If installing an optional trim kit, be sure to apply the trim around any windows, doors, and outlets you encounter along the way, as well as to the final piece of the row if mounting against an interior corner (see “Trim Options” for details).

10. Repeat Until Desired Coverage

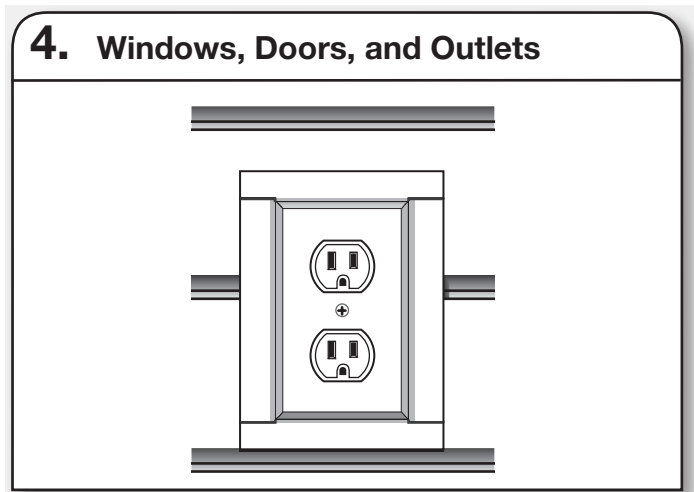
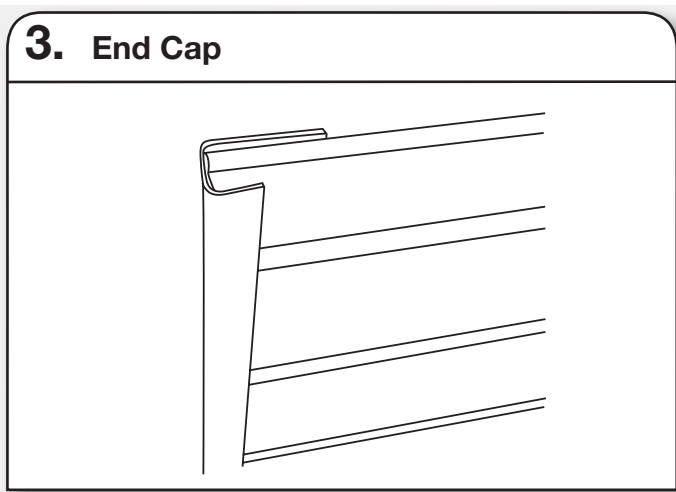
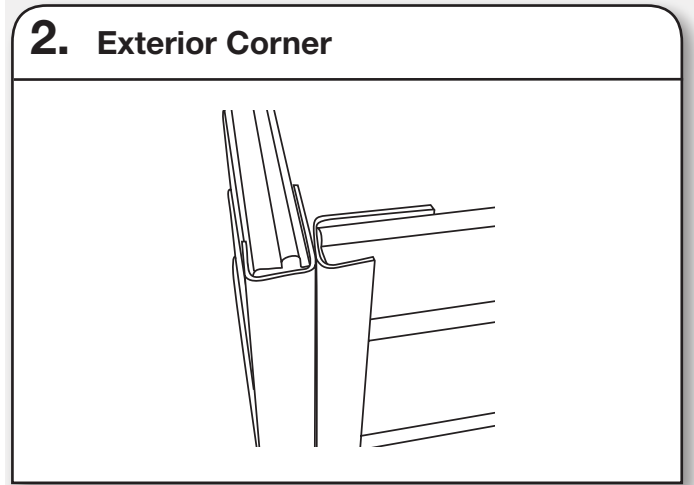
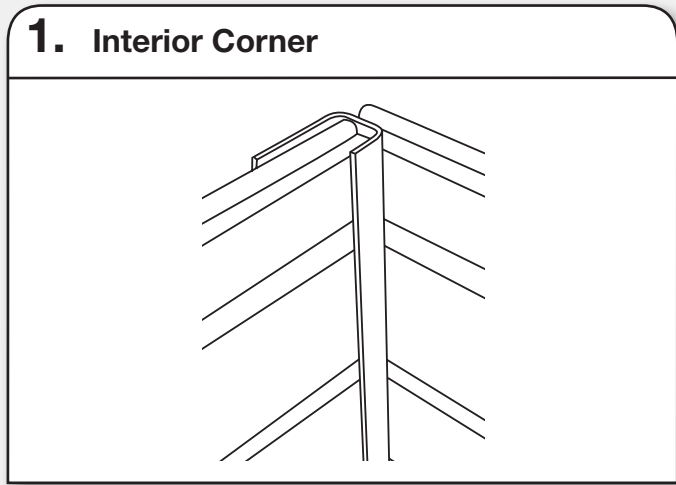


- Repeat step 5, installing each following row of wall panels until the wall is finished. If the wall is wider than the 4 ft (1.22 m) panel, you will need to stagger the vertical panel joints in each row with the seams at the wooden studs, as shown.

NOTE: The final row of panels can be rip cut lengthwise to fit the required height.

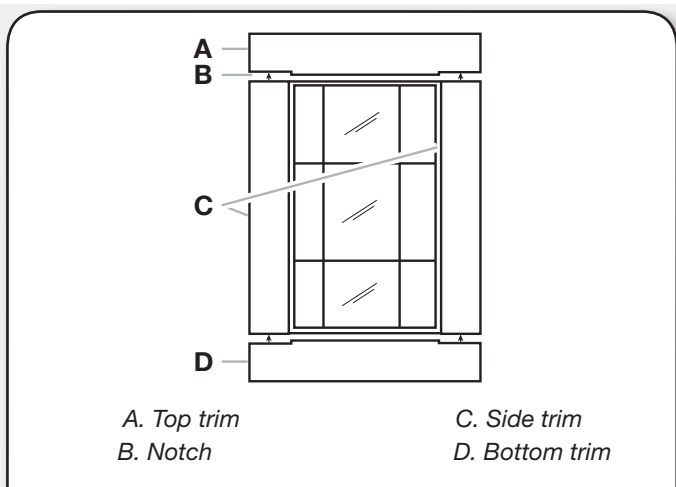
Trim Options

- You may choose to apply trim to any exposed corners or edges. Below are some recommended configurations:



NOTE: The current trim options do not apply to masonry block or poured concrete wall installation.

- Trim may also be applied around windows, doors, and outlets. Be sure to notch the trim as shown to ensure a snug fit:

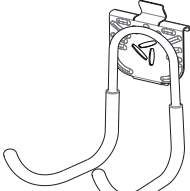
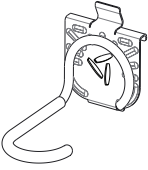

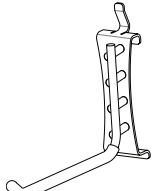

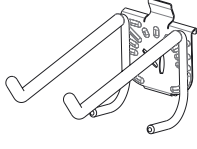
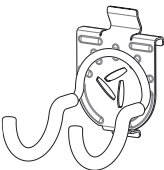
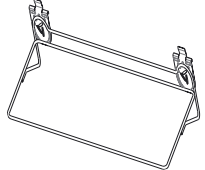
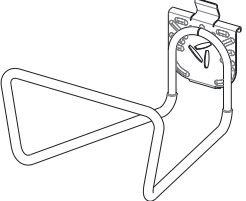
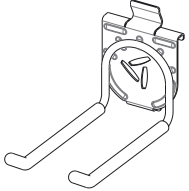
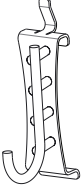



INSTALLATION INSTRUCTION OF HOOKS, BINS AND BASKETS

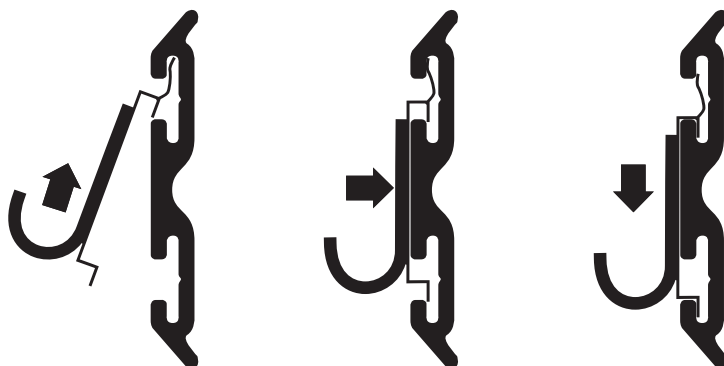
Parts	Maximum Weight Limit
Claw Hook, Dual Hook, Big Hook, Utility Hook	50 lbs (22.7 kg)
Horizontal Bike Hook	25 lbs (11.3 kg) for each hook and 50 lbs (22.7 kg) for the pair
Deep Hook, Wide Hook, Vertical Bike Hook	30 lbs (13.6)
Tool Hook, Cradle Hook, Twin Hook, S Hook, Scoop Hook	25 lbs (11.3 kg)
Fishing Pole Hook	10 lbs (4.5 kg) for each hook and 20 lbs (9.1 kg) for the pair
J & L Hook, Loop Hook	5 lbs (2.2 kg)
Storage Bin Holder	25 lbs (11.3 kg) for each hook and 50 lbs (22.7 kg) for the pair
24" (60.96 cm) Mesh Basket	35 lbs (15.9 kg)
18" (45.7 cm) Wire Basket	35 lbs (15.9 kg)
Caddy Bag	25 lbs (11.3 kg)
Small Item Bin	10 lbs (4.5 kg)

IMPORTANT : Intended to be installed on Gladiator® Garageworks GearWall® panels or GearTrack® channels.

NOTE: Be sure the Gladiator® GearWall® panel or GearTrack® channel is installed with mounting screws in every slot and at every stud location with a maximum of 24" (60.96 cm) horizontally between screws.

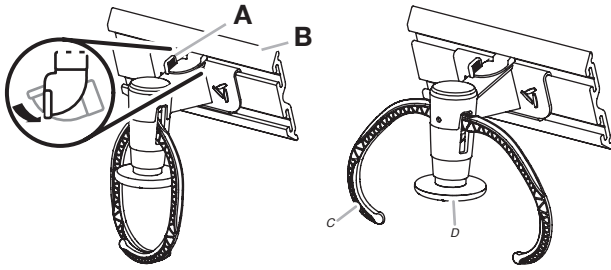
			
Big Hook	Vertical Bike Hook	S Hook	L Hook
			
Utility Hook	Tool Hook	Scoop Hook	Mesh Basket
			
Deep Hook	Twin Hook	J Hook	Wire Basket

Hooks Installation to GearTrack® Channels/GearWall® Panels



Install the Claw Hook Advanced Bike Storage v3.0

Claw Hook Advanced Bike Storage



A. Lever lock

B. GearTrack® channel

C. Hook arm

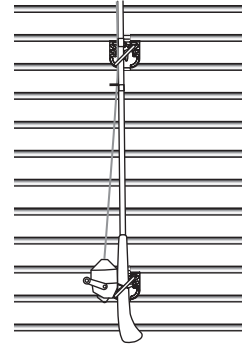
D. Plunger

IMPORTANT:

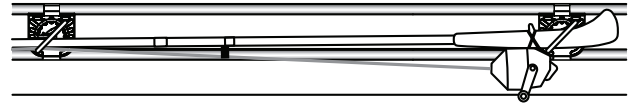
- The Gladiator Claw™ Advanced Bike Storage v3.0 hook holds either wheel of a bike.
1. Determine where you want to hang the bike. Engage the storage hook mounting bracket into the wall slots by lifting up, pushing toward the wall and lowering the bracket rims into the slots.
 2. Inspect the bike storage hook from the side to make sure the mounting bracket rims are fully engaged in the slots.
 3. Turn the lever lock counterclockwise to lock the storage hook to the GearWall® panel or GearTrack® channel. Make sure the lever lock is in the fully locked position, as shown.
 4. Press the plunger until the hook arms are in the open position.
 5. Lift the bike up and press the bike tire against the plunger. The hook arms will close around the wheel. Make sure both arms are completely closed around the wheel.
 6. Remove the bike by lifting the bike up and pressing the tire against the plunger. The hook arms will open to release the bike wheel.

Install the Fishing Pole Hook

Fishing Pole Hook (Vertical)



Fishing Pole Hook (Horizontal)



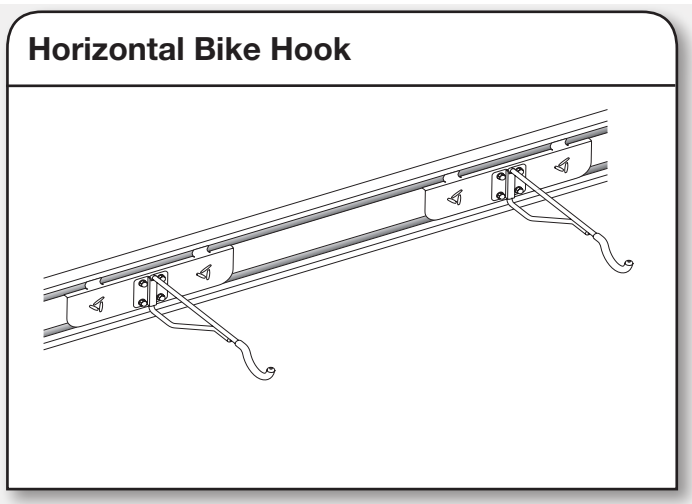
- Designed to be used as a pair, the set of four fishing pole holders will support two fishing poles mounted either vertically or horizontally, as shown.

1. Install the fishing pole holders into the slots in the GearWall® panel or GearTrack® channel so that distance between the holders is one half the length of the fishing pole.

NOTE: Engage the bracket rims into the slots by lifting up, pushing toward the wall and lowering the rims into the slots.

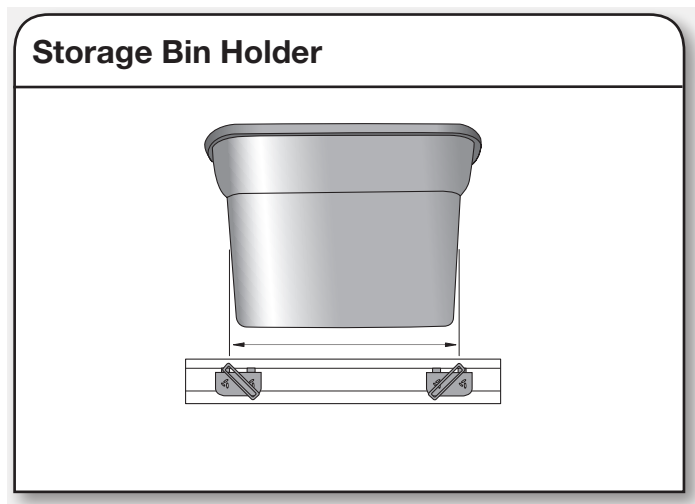
2. Inspect the bracket from the side to ensure the rims are fully engaged in the slots as shown.
3. Set the fishing pole into the holders.

Install the Horizontal Bike Hook



- When not in use, bike hook may be rotated to the side so it lies flat against the bracket.
- 1. Engage the bracket rims on the horizontal bike hook into the slots in the GearWall® panel or GearTrack® channel by lifting up, pushing toward the wall and lowering the rims into the slots.
- 2. Inspect the bracket from the side to ensure the rims are fully engaged in the slots as shown.

Install the Storage Bin Holder



- Designed to be used as a pair, the bin holders will support one storage bin up to a maximum 18 gallon size.
- 1. Measure the length of the storage bin 4" (10.2 cm) to 5" (12.7 cm) from the bottom.
- 2. Install the storage bin holders into the slots in the GearWall® panel or GearTrack® channel so that distance between the top of the holders is the same as the length of the storage bin.
NOTE: Engage the bracket rims into the slots by lifting up, pushing toward the wall and lowering the rims into the slots.
- 3. Inspect the bracket from the side to ensure the rims are fully engaged in the slots as shown.
- 4. Set the storage bin into the bin holders so that the bottom and sides are supported by the storage bin holders.

WARRANTY

For warranty information:

In the U.S.A. call **1-866-342-4089** or visit our website at

www.gladiatorgarageworks.com

In Canada call **1-800-807-6777** or visit our website at

www.gladiatorgarageworks.ca

SÛRETÉ DES INSTALLATIONS DES PROFILÉS GEARTRACK® ET DES PANNEAUX GEARWALL®

Votre sécurité et celle des autres est très importante.

Nous donnons de nombreux messages de sécurité importants dans ce manuel et sur votre appareil ménager. Assurez-vous de toujours lire tous les messages de sécurité et de vous y conformer.



Voici le symbole d'alerte de sécurité.

Ce symbole d'alerte de sécurité vous signale les dangers potentiels de décès et de blessures graves à vous et à d'autres.

Tous les messages de sécurité suivront le symbole d'alerte de sécurité et le mot "DANGER" ou "AVERTISSEMENT". Ces mots signifient :

⚠ DANGER

Risque possible de décès ou de blessure grave si vous ne suivez pas immédiatement les instructions.

⚠ AVERTISSEMENT

Risque possible de décès ou de blessure grave si vous ne suivez pas les instructions.

Tous les messages de sécurité vous diront quel est le danger potentiel et vous disent comment réduire le risque de blessure et ce qui peut se produire en cas de non-respect des instructions.

INSTRUCTIONS D'INSTALLATION DES PROFILÉS GEARTRACK® ET DES PANNEAUX GEARWALL®

Pièces et outils

- Retirer toutes les pièces et les attaches de leur emballage et éliminer/recycler tous les matériaux d'emballage.
- Rassembler les outils et pièces nécessaires avant d'entreprendre l'installation. Lire et observer les instructions fournies avec chacun des outils de la liste ci-dessous.

PIÈCES						
Pièces	Profils GearTrack®			Panneaux GearWall®		
	Mur de maçonnerie/béton	Poteaux de bois nu	Mur de poteaux de bois garni de panneaux de gypse 1/2 po (1,3 cm), 5/8 po (1,6 cm), 3/4 po (1,9 cm)	Mur de maçonnerie/béton	Poteaux de bois nu	Mur de poteaux de bois garni de panneaux de gypse 1/2 po (1,3 cm), 5/8 po (1,6 cm), 3/4 po (1,9 cm)
N° 8 x 1¼ po (3,08 cm)*						
N° 8 x 2 po (5,08 cm) (comprise)*						
3/16 po (4,76 mm) x 1¾ po (4,45cm)**						
Adhésif de construction						
Poteaux de bois de 2 po (5,08 cm) x 4 po (10,16 cm)						
1/4 po (6,3 mm) x 2¾ po (6,99cm)**						

* Utiliser une vis pour terrasse de type à tête plate résistante aux intempéries.

** Utiliser une vis pour maçonnerie de type à tête plate.

OUTILS						
Outils	Profilés GearTrack®			Panneaux GearWall®		
	Mur de maçonnerie/ béton	Poteaux de bois nu	Mur de poteaux de bois garni de panneaux de gypse 1/2 po (1,3 cm), 5/8 po (1,6 cm), 3/4 po (1,9 cm)	Mur de maçonnerie/béton	Poteaux de bois nu	Mur de poteaux de bois garni de panneaux de gypse 1/2 po (1,3 cm), 5/8 po (1,6 cm), 3/4 po (1,9 cm)
Niveau						
Ruban à mesurer						
Perceuse sans fil						
Forets de 1/8 po (3 mm) pour avant-trous						
Détecteur de poteau						
Détecteur de tension CA						
Carré						
Crayon						
Scie sauteuse						
Scie circulaire						
Cordeau à craie						
Niveau de ligne						
Perceuse à percussion						
Pistolet de calfeutrage						
Cordeau à craie avec fil à plomb						
Foret à maçonnerie de 3/16 po (4,7 mm) X 5 po (12,7 cm)						
Foret à maçonnerie de 5/32 po (3,9 mm)						

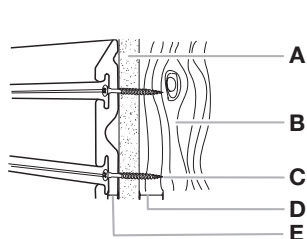
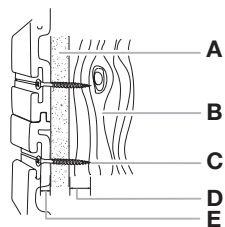
- La profondeur de filetage des vis dans le poteau de bois devrait être de 1 po (2,54 cm) minimum. Pour les panneaux de gypse d'une épaisseur non indiquée dans le tableau ci-dessus, voir la figure ci-dessous.

IMPORTANT : Choisir la longueur des vis en fonction de la position des câbles électriques. Veiller à ce qu'aucune vis ne puisse endommager l'isolant d'un câble électrique.

REMARQUE : La limite de poids maximale est de 75 lb par pied linéaire (30,48 cm) pour les profilés GearTrack® et de 50 lb par pied carré (2,39 kPa) pour les panneaux GearWall®.

Panneau GearWall® Panel

Profilé GearTrack®



A. Panneau de gypse

B. Poteau de bois

C. Vis à tête plate dans chaque rainure de chaque poteau

D. 1 po (2,54 cm) min. to 1¼ po (3,17 cm) max. if near wiring

E. 1/4 po (6,3 mm)

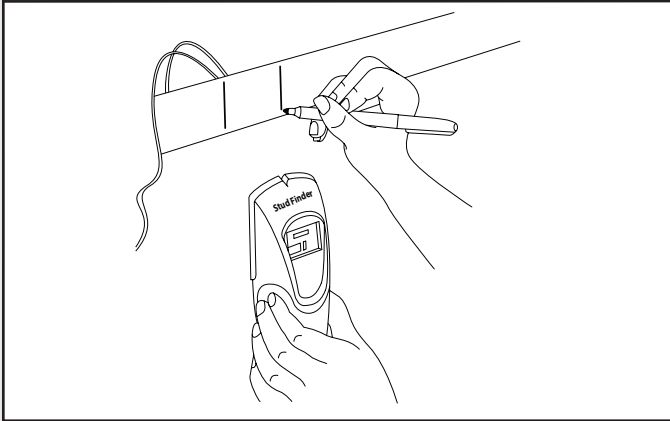
Installation des profilés GearTrack®

Préparation du mur Mur de maçonnerie/béton

- Avant d'installer les profilés GearTrack® sur un mur de maçonnerie, on doit assurer l'étanchéité du mur pour éviter toute introduction de mildiou ou détérioration de fondation. Un mur qui semble être sec peut en fait accumuler de l'humidité après avoir été garni de panneaux. Lors de l'installation des profilés, veiller à respecter les dispositions de tous les codes et règlements locaux en vigueur.

Poteaux de bois et panneaux de gypse sur poteaux de bois

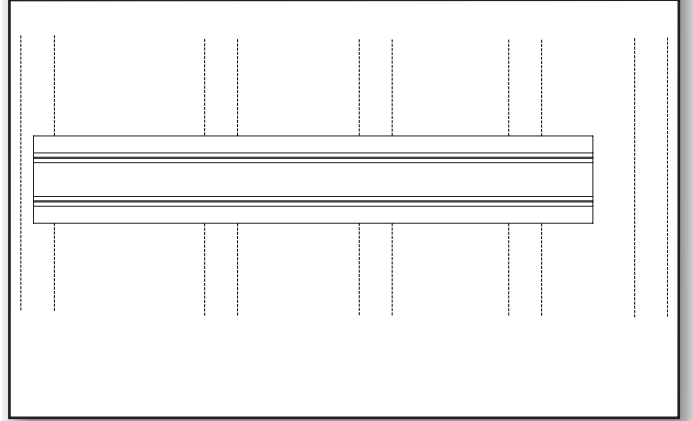
1. Localiser les poteaux et le câblage



- Utiliser un détecteur de poteau pour marquer les bords des poteaux dans la zone d'installation planifiée. S'assurer de marquer également les emplacements de câblage électrique.

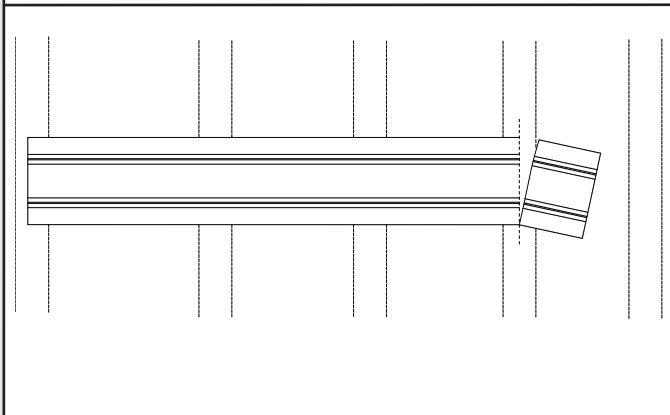
IMPORTANT : Choisir la longueur des vis en fonction de la position des câbles électriques. Veiller à ce qu'aucune vis ne puisse endommager l'isolant d'un câble électrique.

2. Mesurer les profilés



- Installer chaque profilé GearTrack® sur le mur de telle manière que chaque extrémité soit en appui sur un poteau de bois. Mesurer depuis le centre du poteau au début de la surface à recouvrir jusqu'au centre du dernier poteau en bois situé à moins de 32 po (81,3 cm), de 42 po (106,7 cm) ou de 48 po (121,9 cm) selon la longueur du profilé GearTrack®.

3. Couper à la longueur voulue

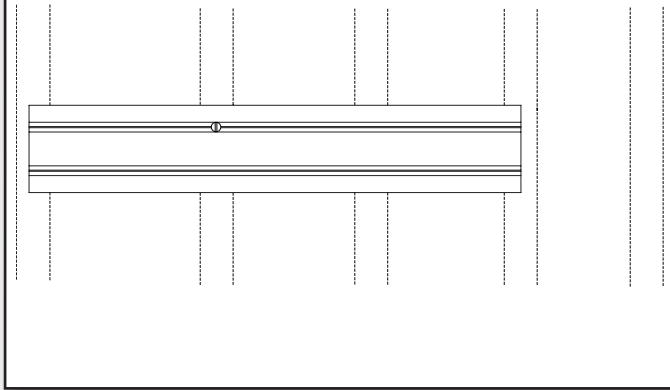


- Si nécessaire, couper la première section de profilé à cette longueur (veiller à l'équerrage).

REMARQUE : On ne doit pas utiliser de profilé de longueur inférieure à 24 po (60,96 cm).

Installation des profilés

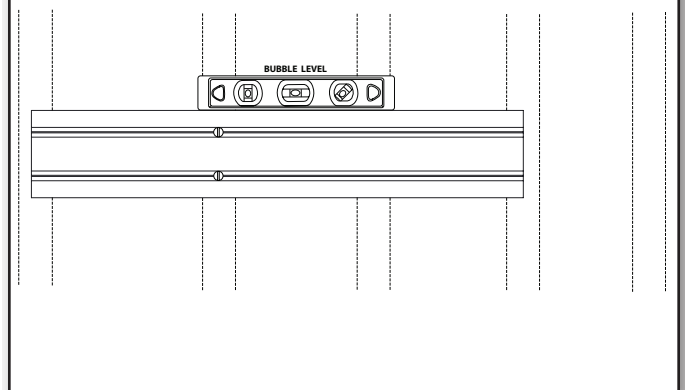
1. Visser la première vis



- En maintenant le profilé en place à l'emplacement désiré, visser une vis dans la rainure supérieure et dans le centre du poteau le plus proche du milieu du profilé jusqu'à ce qu'elle soit au ras de la surface.

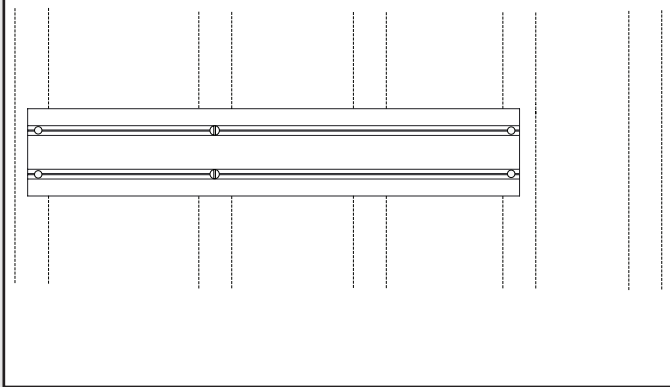
REMARQUE : Si les profilés GearTrack® sont installés sur un mur de maçonnerie ou de béton, mettre de l'adhésif de construction sur le profilé GearTrack® avant de le fixer au mur pour une meilleure prise.

2. Niveler le profilé



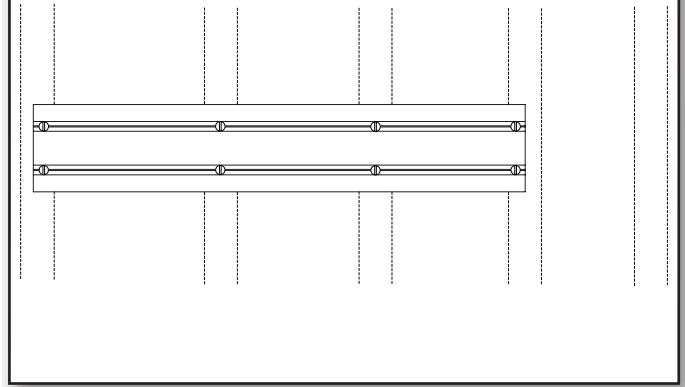
- Vérifier que le profilé GearTrack® est de niveau, puis visser une deuxième vis à travers la rainure inférieure et dans le centre du même poteau comme dans l'étape précédente.

3. Avant-trous



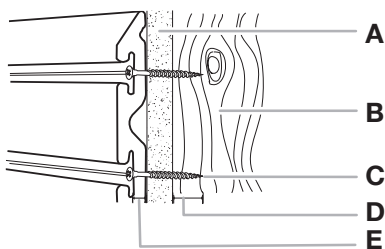
- En cas de fissuration, il peut s'avérer nécessaire de percer des avant-trous et de fraiser chaque trou de vis près des extrémités des profilés avec un foret de 1/8 po (3 mm).

4. Visser les autres vis



- Visser une vis dans chaque rainure de chaque poteau dans la zone d'installation.

5. Inspecter l'installation des vis

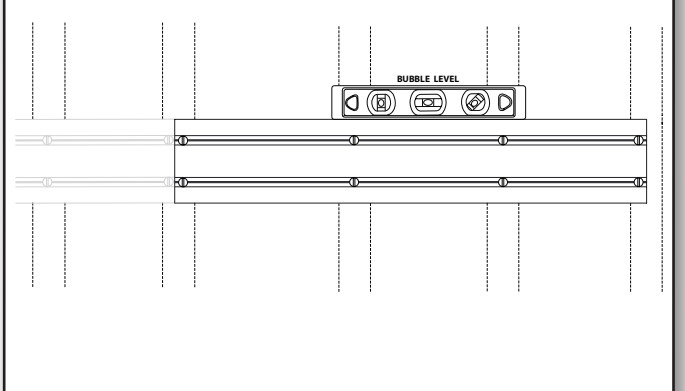


A. Panneau de gypse
B. Poteau de bois
C. Vis à tête plate dans chaque rainure de chaque poteau

D. 1 po (2.54 cm) min. to 1¼ po (3.17 cm) max. si près du câblage
E. 1/4 po (6.3 mm)

- S'assurer que toutes les vis sont installées et au ras de la surface de chaque profilé.

6. Installation des autres profilés



- Répéter ce processus pour chaque profilé apposé.

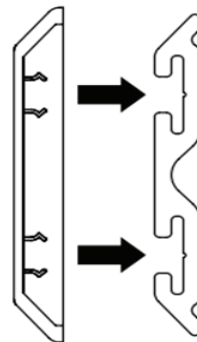
7. Espacement des profilés



18 po (46 cm)

REMARQUE : Si les profilés doivent être utilisés pour supporter les crochets d'accessoires et/ou les petits bacs d'objets, ils peuvent être espacés au besoin. Si des profilés sont utilisés pour supporter une armoire à outils Gladiator®, ils doivent être installés à 18 po (46 cm) l'un de l'autre.

8. Installation des embouts (vendus séparément)

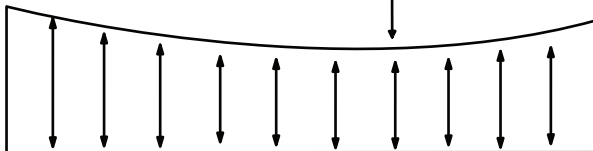


- Enclencher les embouts sur chaque extrémité du profilé GearTrack®.

Installation des panneaux Gearwall®

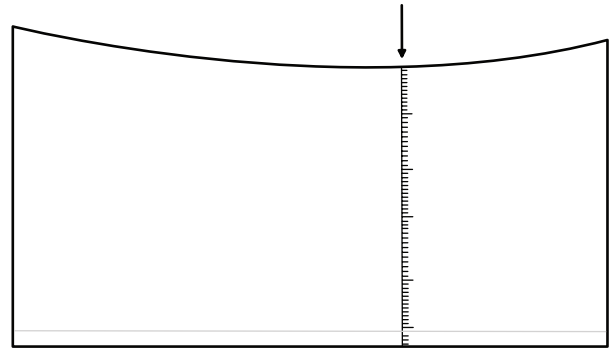
Planification de l'installation

1. Mesurer l'affaissement du plafond



- Tracer une ligne de niveau à la craie à une hauteur pratique sur le(s) mur(s). Mesurer la distance entre la ligne à la craie et le plafond et déterminer le point du plafond le plus bas le long du mur.

2. Marquer le bas du mur



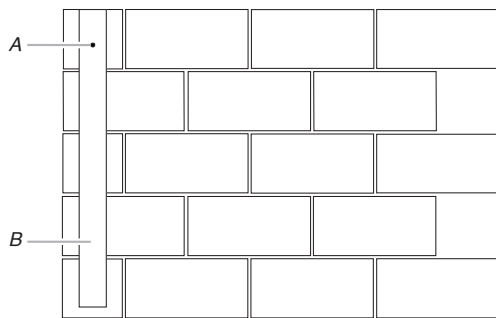
- À partir du point le plus bas du plafond, mesurer jusqu'au plancher. Arrondir au chiffre inférieur la mesure en pieds, puis marquer. Tracer une ligne en craie de 1/4 po (6,3 mm) sous la marque. Répéter cette étape pour les autres murs.

REMARQUE : Pour une installation murale partielle, il suffit de tracer une ligne de craie au niveau de la hauteur désirée du bas du mur.

Préparation du mur Mur de maçonnerie/béton

- Avant d'installer les panneaux sur un mur de maçonnerie/béton, il faut installer des poteaux de bois de 2 po (5,08 cm) x 4 po (10,16 cm) au mur avec le côté de 4 po (10,16 cm) contre le mur. Les poteaux de bois doivent être installés sur toute la surface du mur d'où les panneaux GearWall® seront installés. Ceci donne une surface nivelée pour l'installation des panneaux.

1. Installation du premier poteau

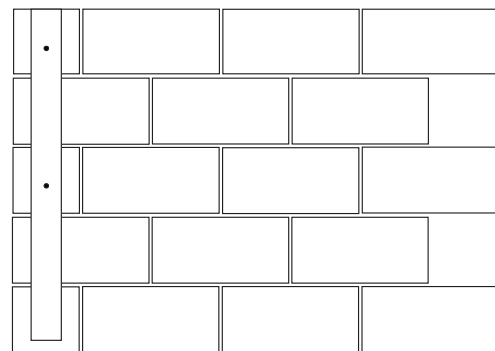


A. Vis à maçonnerie
B. Poteau de bois

- Installer le premier poteau au bord du début de la surface à recouvrir pour servir de guide. Percer un trou à travers le poteau et dans la surface murale. Consulter les instructions du fabricant de vis à maçonnerie concernant l'installation. Pour obtenir de meilleurs résultats, utiliser une perceuse à percussion et un foret de maçonnerie.

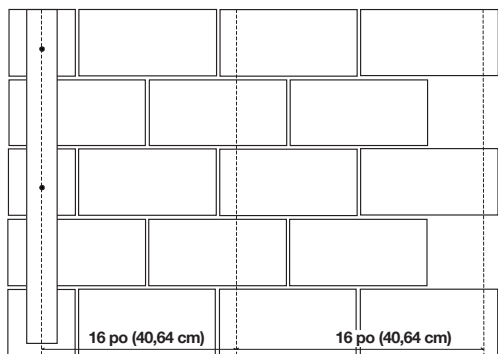
REMARQUE : Pour une meilleure prise, on peut également appliquer un adhésif de construction sur le poteau avant de le fixer sur le mur.

2. Fixation du premier poteau



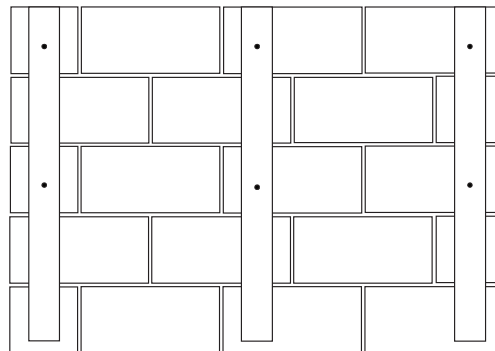
- Fixer le poteau au mur au moyen des vis de maçonnerie de 1/4 po (6,3 mm) x 2 3/4 po (6,9 cm) à chaque 18 po (45,72 cm).

3. Mesure de l'emplacement des autres poteaux



- Utiliser ce poteau comme référence. Mesurer 16 po (40,64 cm) du coin et tracer une ligne de craie verticale à l'aide d'un cordeau à craie avec fil à plomb. Tracer une ligne de craie tous les 16 po (40,64 cm) à partir de ce point.

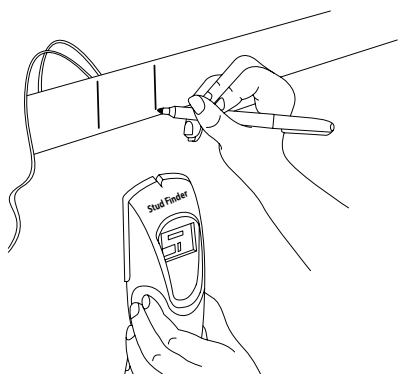
4. Installation des autres poteaux



- Aligner le centre de chaque poteau avec la ligne de craie. Fixer les autres poteaux au mur de la manière décrite aux étapes de 1 à 2.

Poteaux de bois et panneaux de gypse sur poteaux de bois

1. Localiser les poteaux et le câblage

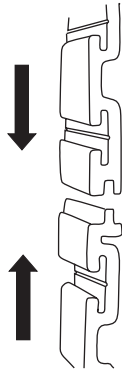


- Utiliser un détecteur de poteau pour marquer les bords des poteaux dans la zone d'installation planifiée. S'assurer de marquer également les emplacements de câblage électrique.

IMPORTANT : Choisir la longueur des vis en fonction de la position des câbles électriques. Veiller à ce qu'aucune vis ne puisse endommager l'isolant d'un câble électrique.

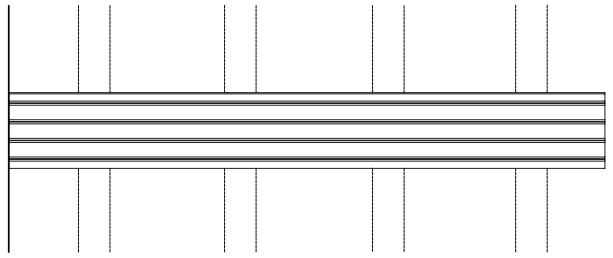
Montage des panneaux

1. Orienter le panneau



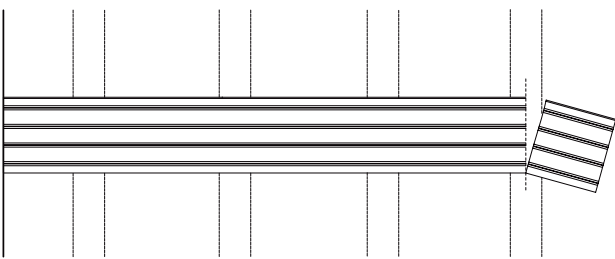
- Les panneaux sont installés avec la languette de verrouillage vers le haut et la rainure vers le bas.

2. Mesurer le panneau



- Mesurer la distance du bord de la surface à recouvrir jusqu'au centre du dernier poteau de bois qui se trouve à 4 pieds (1,22 m). Prendre note de l'interférence des fenêtres, des portes et des prises.

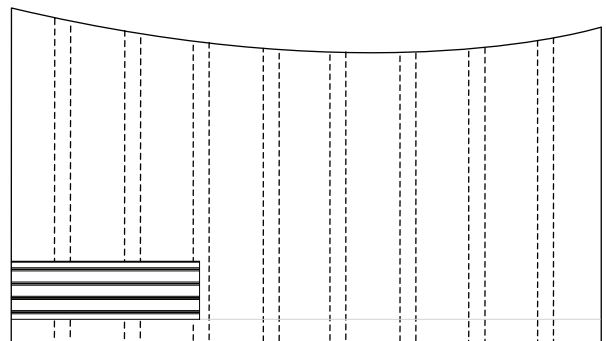
3. Couper à la longueur voulue



- Couper le premier panneau à cette longueur en s'assurant que le découpage est bien carré. Veiller également à découper autour des fenêtres, des portes et des prises.

REMARQUE : On ne doit pas utiliser de panneau de longueur inférieure à 24 po (60,96 cm).

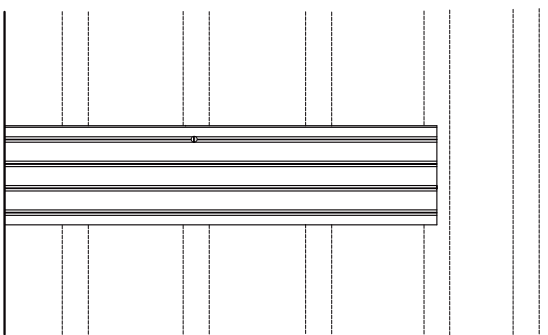
4. Installation du panneau



- Placer le panneau au-dessus de la ligne de craie horizontale appliquée selon les instructions dans la section "Préparation du mur". Aligner le panneau avec le bord et la ligne de craie horizontale.

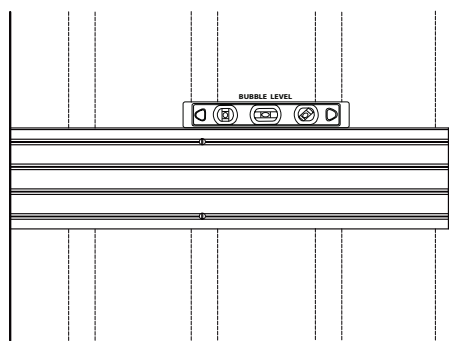
REMARQUE : Si de la garniture en option doit être installée, s'assurer d'appliquer la garniture à ce moment si le montage doit être effectué contre un coin intérieur (voir "Options de garniture" pour les détails).

5. Visser la première vis



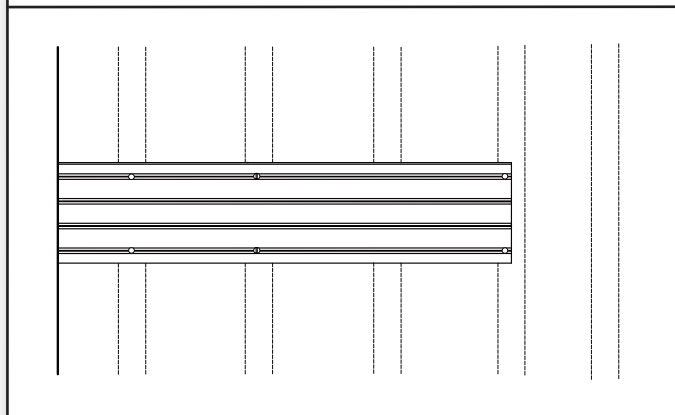
- En maintenant le panneau en place à l'emplacement désiré, visser une vis dans la rainure supérieure et dans le poteau le plus proche du milieu du profilé jusqu'à ce qu'elle soit au ras de la surface.

6. Nivelier le panneau



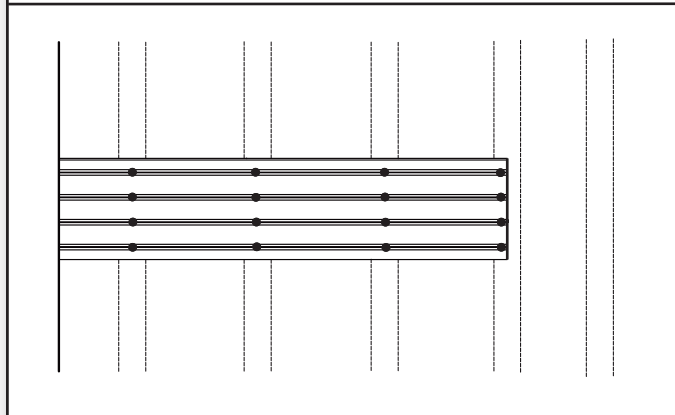
- Vérifier que le panneau est de niveau, puis visser une deuxième vis à travers la rainure inférieure et dans le même poteau comme dans l'étape précédente.

7. Avant-trous



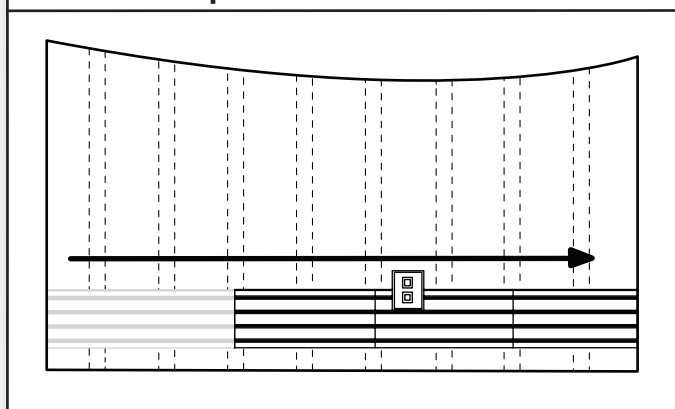
- En cas de fissuration, il peut s'avérer nécessaire de percer des avant-trous et de fraiser chaque trou de vis près des extrémités des profilés.

8. Visser les autres vis



- Visser une vis dans chaque rainure de chaque poteau dans la zone d'installation.

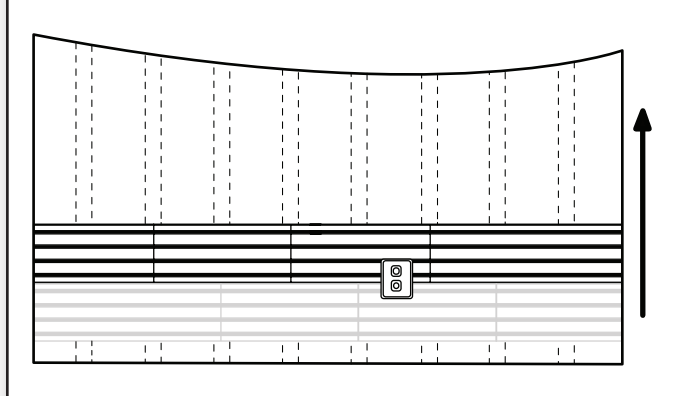
9. Répéter jusqu'à l'installation du dernier panneau



- Répéter les étapes 1 à 4 avec les autres panneaux à installer jusqu'au bord opposé de la surface à recouvrir.

REMARQUE : Si de la garniture en option doit être installée, s'assurer d'appliquer la garniture autour de toutes les fenêtres, portes et prises de la surface à recouvrir, ainsi que sur le dernier panneau si installé contre un coin intérieur (voir "Options de garniture" pour les détails).

10. Répéter pour terminer la couverture souhaitée



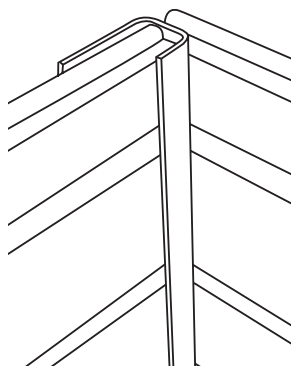
- Répéter l'étape 5, en installant chaque rangée de panneaux muraux jusqu'à ce que le mur soit fini. Si le mur est plus large que le panneau de 4 pi (1,22 m), on aura besoin de décaler les joints du panneau vertical sur chaque rangée avec les ceux des poteaux de bois. Voir l'illustration.

REMARQUE : On peut couper la dernière rangée de panneaux en longueur pour obtenir la hauteur nécessaire.

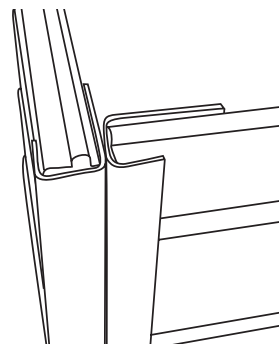
Options de garniture

- Les garnitures peuvent être apposées aux coins et bords exposés. Voici quelques configurations recommandées :

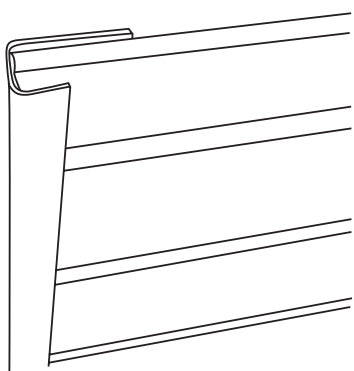
1. Coin intérieur



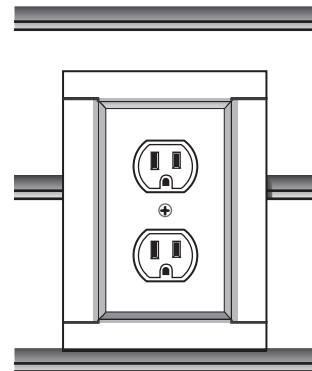
2. Coin extérieur



3. Embout

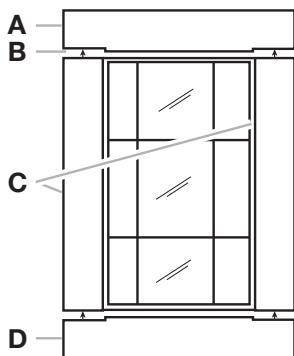


4. Fenêtres, portes et prises



REMARQUE : Les options de garnitures actuelles ne s'appliquent au mur de maçonnerie ou de béton.

- La garniture peut également être appliquée autour des fenêtres, portes et prises. S'assurer d'encoche la garniture comme indiqué pour un ajustement parfait :



A. Garniture supérieure
B. Encoche

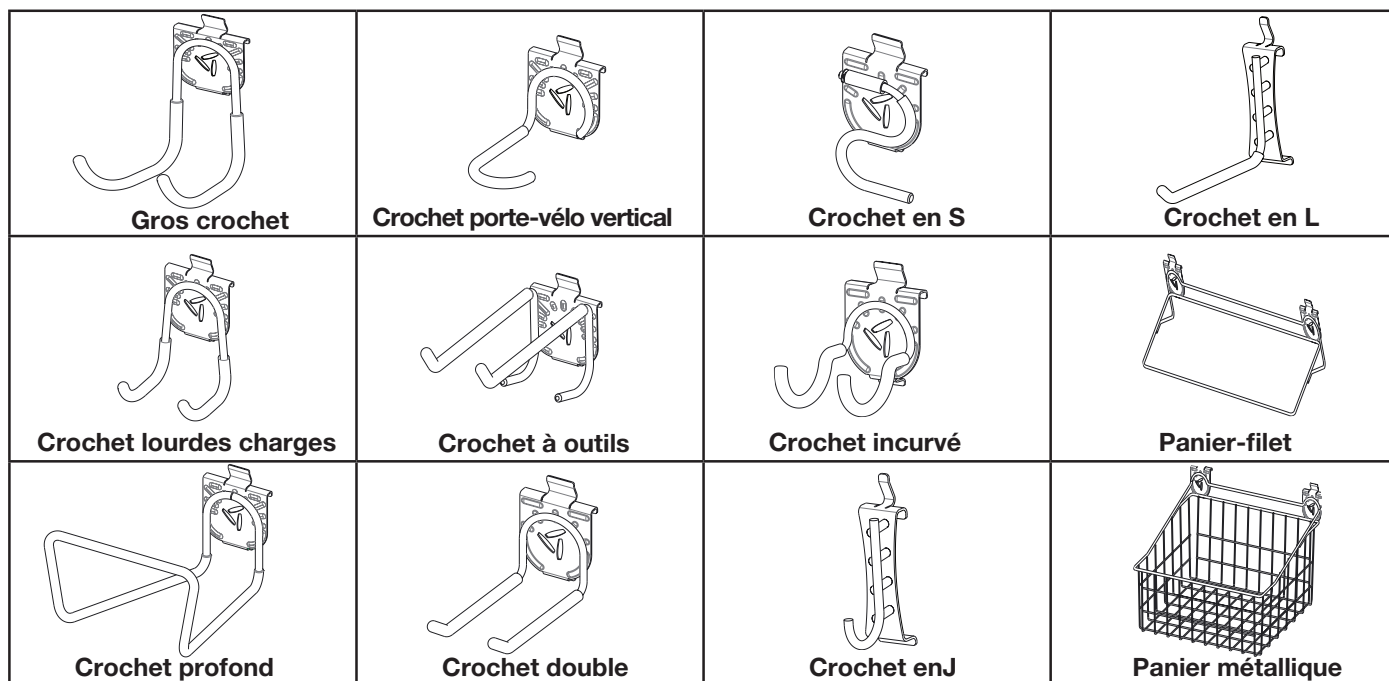
C. Garniture latérale
D. Garniture inférieure

INSTRUCTION D'INSTALLATION DES CROCHETS, DES BACS ET DES PANIERS

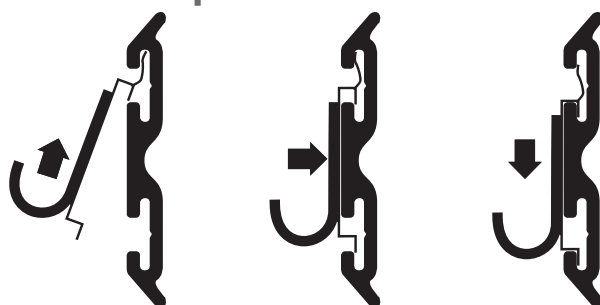
Pièces	Limite de poids maximum
Crochet Claw, crochet double, gros crochet, crochet lourdes charges	50 lb (22,7 kg)
Crochet porte-vélo horizontal	25 lb (11,3 kg) pour chaque crochet et 50 lb (22,7 kg) pour une paire de crochets
Crochet profond, crochet large, crochet porte-vélo vertical	30 lb (13,6 kg)
Crochet à outils, crochet-support, crochet double, crochet en S, crochet cuillère	25 lb (11,3 kg)
Crochet pour canne à pêche	10 flb (4,5 kg) pour chaque crochet et 20 flb (9,1 kg) pour une paire de crochets
Crochet en L, crochet en J, crochet boucle	5 lb (2,2 kg)
Support de bac d'entreposage	25 lb (11,3 kg) pour chaque crochet et 50 lb (22,7 kg) pour une paire de crochets
Panier-filet de 24 po (60,96 cm)	35 lb (15,9 kg)
Panier grillagé de 18 po (45,7 cm)	35 lb (15,9 kg)
Sac de golf	25 lb (11,3 kg)
Casiers pour petits articles	10 lb (4,5 kg)

IMPORTANT : Produit conçu pour une installation sur des panneaux Gladiator® Garageworks GearWall® ou des profilés GearTrack®.

REMARQUE : Vérifier que lors de l'installation des panneaux GearWall® ou des profilés GearTrack® Gladiator®, une vis de montage a été placée dans chaque rainure au niveau de chaque poteau du colombage, avec intervalle horizontal maximum de 24 po (60,96 cm) entre les vis.

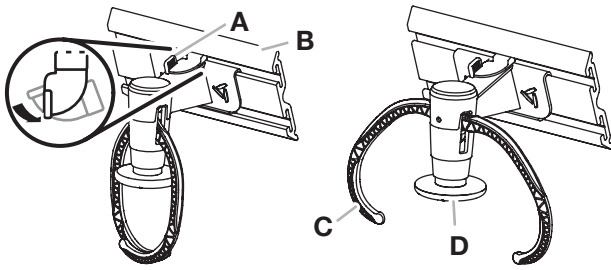


Installation des crochets aux profilés GearTrack®/panneaux GearWall®



Installation de la pince-crochet porte-vélo de pointe Claw v3.0

Pince-crochet porte-vélo de pointe Claw



A. Manette de blocage
B. Profilé GearTrack®

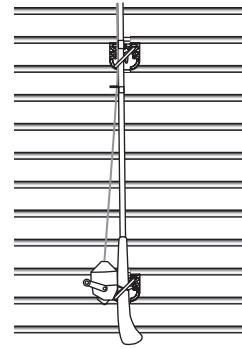
C. Bras du crochet
D. Poussoir

IMPORTANT :

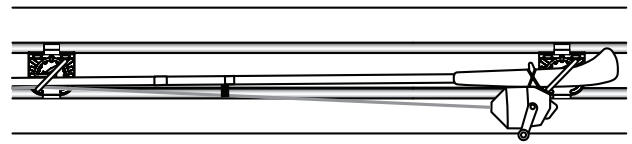
- La pince-crochet porte-vélo de pointe Gladiator Claw™ v3.0 peut soutenir n'importe laquelle des roues du vélo.
- 1. Déterminer l'emplacement où l'on souhaite suspendre le vélo. Engager la bride de montage de la pince-crochet porte-vélo dans les rainures murales : soulever, pousser vers le mur et abaisser les rives de bride dans les rainures.
- 2. Examiner la pince-crochet porte-vélo depuis le côté pour s'assurer que les rives de bride de montage sont complètement engagées dans les rainures.
- 3. Tourner la manette de blocage dans le sens antihoraire pour verrouiller la pince-crochet porte-vélo au panneau GearWall® ou au profilé GearTrack®. S'assurer que la manette de blocage est à la position de verrouillage complet, tel qu'illustré.
- 4. Enfoncer le poussoir jusqu'à ce les bras du crochet soient en position ouverte.
- 5. Soulever le vélo et pousser le pneu du vélo contre le poussoir. Les bras du crochet fermeront autour de la roue. S'assurer que les deux bras sont complètement fermés autour de la roue.
- 6. Pour retirer le vélo, le soulever et pousser le pneu du vélo contre le poussoir. Les bras du crochet s'ouvriront pour libérer la roue du vélo.

Installation du crochet pour canne à pêche à pèche

Crochet pour canne à pêche (vertical)



Crochet pour canne à pêche (horizontal)



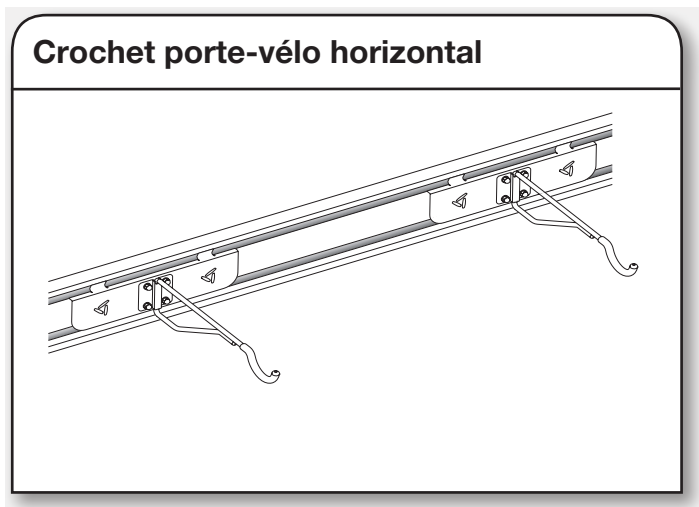
- Conçu pour être utilisé en paire, l'ensemble de quatre crochets pour canne à pêche soutiendra deux cannes à pêche montées verticalement ou horizontalement, comme indiqué ci-haut.

1. Installer les crochets pour canne à pêche dans les rainures du panneau GearWall® ou du profilé GearTrack® de sorte que la distance entre crochets soit la moitié de la longueur de la canne à pêche.

REMARQUE : Engager les rives d'accrochage dans les rainures murales : soulever, pousser vers le mur puis abaisser les rives pour les engager dans les rainures.

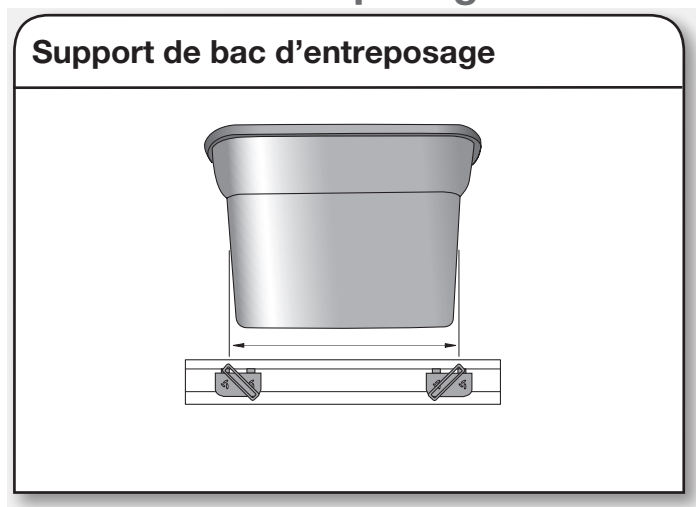
2. Inspecter le support depuis les côtés pour vérifier que les rives d'accrochage sont parfaitement engagées dans les rainures – voir l'illustration.
3. Placer la canne à pêche sur le crochet.

Installation du crochet portevélo horizontal



- Lorsqu'il n'est pas utilisé, le crochet portevélo peut être rabattu contre le support.
- 1. Engager les rives d'accrochage sur le crochet portevélo dans les rainures du panneau GearWall® ou du profilé GearTrack® : soulever, pousser contre le mur, et abaisser pour que les deux rives s'engagent parfaitement dans les rainures d'accrochage.
- 2. Inspecter le support depuis les côtés pour vérifier que les rives d'accrochage sont parfaitement engagées dans les rainures – voir l'illustration.

Installation du support de bac d'entreposage



- Conçus pour être utilisés en paire, les supports de bac peuvent soutenir un bac d'une capacité maximum de 18 gallons.
- 1. Mesurer la longueur du bac d'entreposage à une hauteur de 4 po (10,2 cm) à 5 po (12,7 cm) à partir de la base.
- 2. Placer les supports de bac d'entreposage dans les rainures du panneau GearWall® ou du profilé GearTrack® de sorte que la distance entre la partie supérieure des supports soit identique à la longueur du bac d'entreposage.
REMARQUE : Engager les rives d'accrochage dans les rainures murales : soulever, pousser vers le mur puis abaisser les rives pour les engager dans les rainures.
- 3. Inspecter le support depuis les côtés pour vérifier que les rives d'accrochage sont parfaitement engagées dans les rainures – voir l'illustration.
- 4. Placer le bac d'entreposage dans les supports de bac de façon à ce que le fond et les côtés du bac soient soutenus par les supports de bac d'entreposage.

GARANTIE

Pour des informations concernant la garantie :

Aux États-Unis, composer le **1 866 342-4089** ou visiter notre site Web à l'adresse

www.gladiatorgarageworks.com

Au Canada, composer le **1 800 807-6777** ou visiter notre site Web à l'adresse

www.gladiatorgarageworks.ca

SEGURIDAD PARA LA INSTALACIÓN DE CANALES GEARTRACK® Y PANELES GEARWALL®

Su seguridad y la seguridad de los demás es muy importante.

Hemos incluido muchos mensajes importantes de seguridad en este manual y en su electrodoméstico. Lea y obedezca siempre todos los mensajes de seguridad.



Este es el símbolo de alerta de seguridad.

Este símbolo le llama la atención sobre peligros potenciales que pueden ocasionar la muerte o una lesión a usted y a los demás.

Todos los mensajes de seguridad irán a continuación del símbolo de advertencia de seguridad y de la palabra "PELIGRO" o "ADVERTENCIA". Estas palabras significan:

⚠ PELIGRO

Si no sigue las instrucciones de inmediato, usted puede morir o sufrir una lesión grave.

⚠ ADVERTENCIA

Si no sigue las instrucciones, usted puede morir o sufrir una lesión grave.

Todos los mensajes de seguridad le dirán el peligro potencial, le dirán cómo reducir las posibilidades de sufrir una lesión y lo que puede suceder si no se siguen las instrucciones.

INSTRUCCIONES PARA LA INSTALACIÓN DE CANALES GEARTRACK®/PANELES GEARWALL®

Piezas y herramientas

- Retire todas las piezas y sujetadores de su empaque y deseche/recicle todo el material de empaque.
- Reúna las herramientas y las piezas necesarias antes de comenzar la instalación. Lea y siga las instrucciones provistas con cualquiera de las herramientas detalladas aquí.

PIEZAS						
Piezas	Canales GearTrack®			Paneles GearWall®		
	Mampostería/ concreto vaciado	Vigas de madera sin revestir	Panel de yeso sobre vigas de madera: 1/2" (1,3 cm), 5/8" (1,6 cm), 3/4" (1,9 cm)	Mampostería/ concreto vaciado	Vigas de madera sin revestir	Panel de yeso sobre vigas de madera: 1/2" (1,3 cm), 5/8" (1,6 cm), 3/4" (1,9 cm)
N.º 8 x 1 ¼" (3,08 cm)*						
N.º 8 x 2" (5,08 cm) (incluido)*						
3/16" (4,76 mm) x 1 ¾" (4,45 cm)**						
Adhesivo para construcción						
Vigas de madera de 2" (5,08 cm) x 4" (10,16 cm)						
1/4" (6,3 mm) x 2 ¾" (6,99 cm)**						

* Use un tornillo para tablero para cualquier clima del tipo de cabeza plana.

** Use un tornillo para mampostería del tipo de cabeza plana.

HERRAMIENTAS

Herramientas	Canales GearTrack®			Paneles GearWall®		
	Mampostería/ concreto vaciado	Vigas de madera sin revestir	Panel de yeso sobre vigas de madera: 1/2" (1,3 cm), 5/8" (1,6 cm), 3/4" (1,9 cm)	Mampostería/ concreto vaciado	Vigas de madera sin revestir	Panel de yeso sobre vigas de madera: 1/2" (1,3 cm), 5/8" (1,6 cm), 3/4" (1,9 cm)
Nivel						
Cinta para medir						
Taladro inalámbrico						
Broca de taladro de 1/8" (3 mm) para taladrar previamente orificios						
Detector de vástagos						
Detector de CA						
Escuadra						
Lápiz						
Sierra de vaivén						
Sierra circular						
Cordel entizado						
Nivel de línea						
Taladro percutor						
Pistola para calafateo						
Cordel entizado con plomada						
Broca de taladro para mampostería de 3/16" (4,7 mm) X 5" (12,7 cm)						
Broca de taladro para mampostería de 5/32" (3,9 mm)						

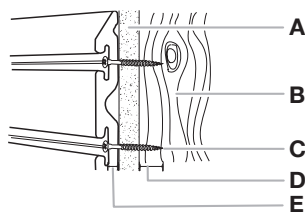
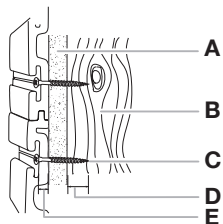
- El enganche de las roscas de los tornillos en las vigas de madera debe ser de 1" (2,54 cm) como mínimo. Para panel de yeso de un espesor no indicado en la tabla anterior, vea la ilustración que sigue.

IMPORTANTE: Compare la longitud de los tornillos con la ubicación de los cables eléctricos. Asegúrese de que el tornillo no perforo cables eléctricos.

NOTA: El límite de peso máximo es de 75 lb por pie lineal (30,48 cm) para los canales GearTrack® y de 50 lb por pie cuadrado (2,39 kPa) para paneles GearWall®.

Panel GearWall®

Canal GearTrack®



A. Panel de yeso

D. De 1" (2,54 cm) como min. a 1 1/4" (3,17 cm) como máx. si está cerca del cableado

B. Viga de madera

E. 1/4" (6,3 mm)

C. Tornillo de cabeza plana en cada ranura de cada viga

Instale los canales GearTrack®

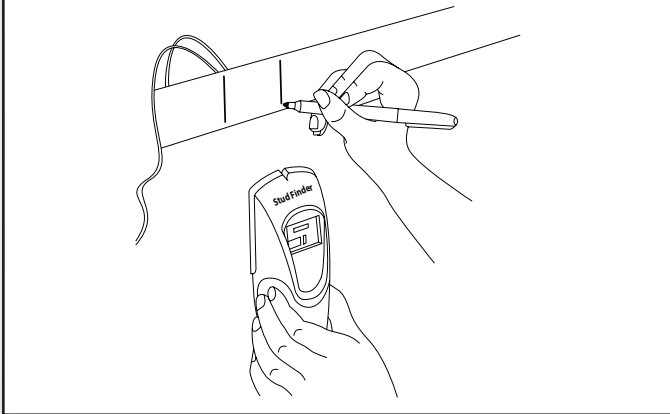
Prepare la pared

Pared de bloques de mampostería/concreto vaciado

- Antes de instalar GearTrack® en paredes de mampostería, se deben impermeabilizar las paredes para evitar el moho o daños en la cimentación. Las paredes que parecen estar secas pueden humedecerse cuando se cubren con paneles. Instale los canales de acuerdo con todos los códigos y ordenanzas locales.

Vigas de madera y panel de yeso sobre vigas de madera

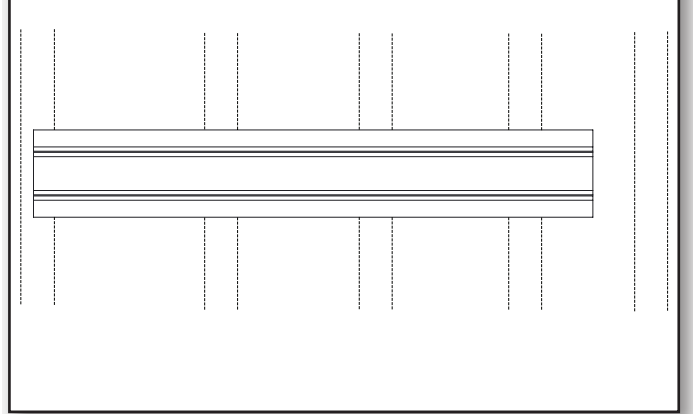
1. Localice las vigas y los componentes eléctricos



- Use un detector de vigas para marcar los bordes de las vigas dentro del área de instalación prevista. Asegúrese de marcar también la ubicación de los cables eléctricos.

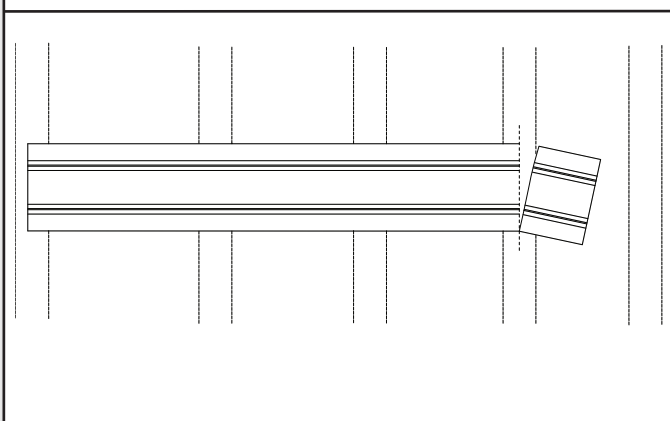
IMPORTANTE: Compare la longitud de los tornillos con la ubicación de los cables eléctricos. Asegúrese de que el tornillo no perfora cables eléctricos.

2. Mida los canales



- Los canales GearTrack® deben montarse en la pared de modo que comiencen y terminen en vigas de madera. Mida desde el centro de la viga al principio del área de cobertura deseada hasta el centro de la última viga de madera que esté dentro de 32" (81,3 cm), 42" (106,7 cm) o 48" (121,9 cm), según la longitud de su canal GearTrack®.

3. Corte a medida

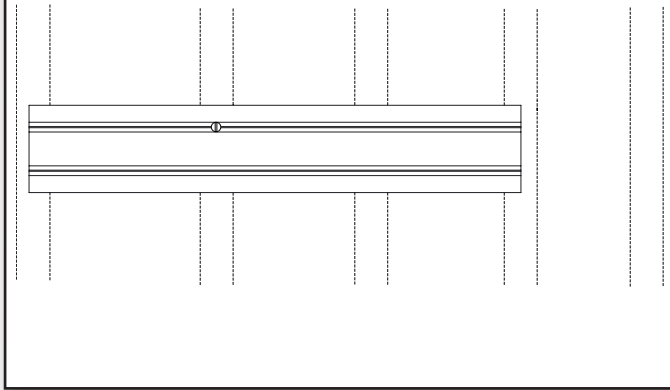


- Si es necesario, corte el primer canal con esta longitud y asegúrese de que el corte sea a escuadra.

NOTA: No deben utilizarse canales cortados con menos de 24" (60,96 cm) de longitud.

Montaje de los canales

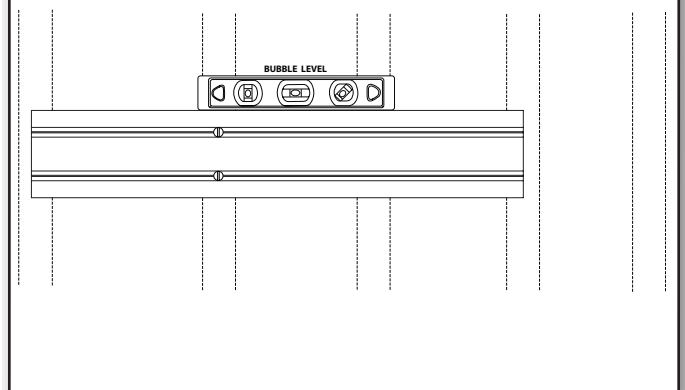
1. Instale el primer tornillo



- Sostenga el canal levantado en la ubicación deseada e instale un tornillo a través de la muesca de la ranura superior y dentro del centro de la viga más cercana al centro del canal hasta que esté al ras con la superficie.

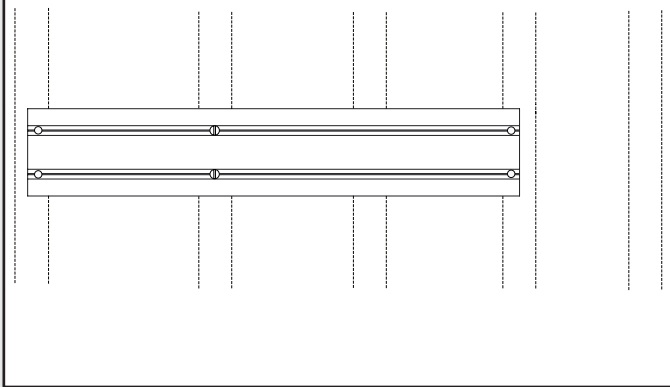
NOTA: Si instala canales GearTrack® sobre bloques de mampostería o concreto vaciado, puede colocar adhesivo para construcción sobre el canal GearTrack® antes de instalarlo en la pared para reforzar la sujeción.

2. Nivele el canal



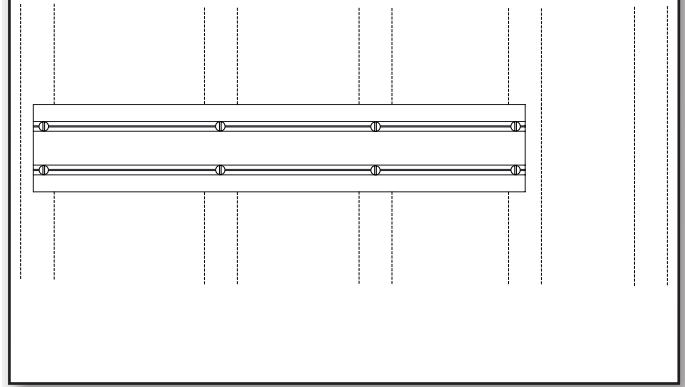
- Verifique que el canal GearTrack® esté nivelado y, después, instale un segundo tornillo a través de la muesca de la ranura inferior y dentro del centro de la misma viga que en el paso anterior.

3. Taladre los orificios previamente



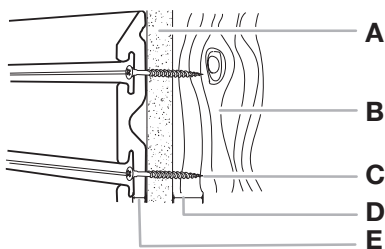
- Si se produce una separación, puede ser necesario taladrar previamente y avellanar los orificios de los tornillos cerca de los extremos del canal con una broca para taladro de 1/8" (3 mm).

4. Instale los tornillos restantes



- Instale un tornillo en cada ranura en la ubicación de cada viga.

5. Inspect Screw Installation



A. Panel de yeso

B. Viga de madera

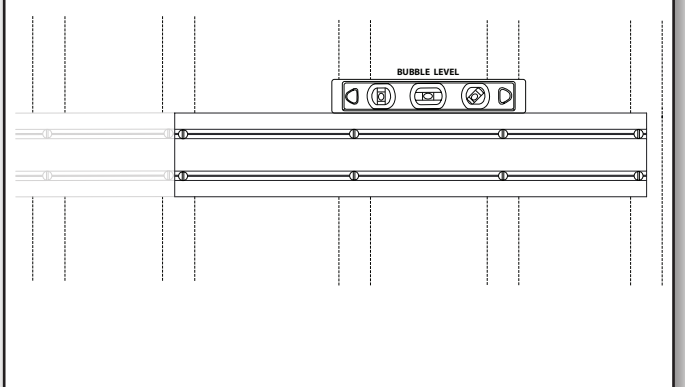
C. Tornillo de cabeza plana en cada ranura de cada viga

D. De 1" (2,54 cm) como mín. a 1 1/4" (3,17 cm) como máx. si está cerca del cableado

E. 1/4" (6.3 mm)

- Cerciórese de que todos los tornillos estén instalados y alineados con el canal.

6. Repita con los canales adicionales



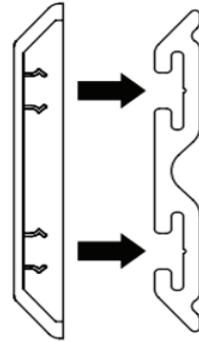
- Repita este proceso para la siguiente área de aplicación que desee.

7. Espacio entre los canales



NOTA: Si se van a usar los canales para apoyar los ganchos de accesorios y/o recipientes para artículos pequeños, se pueden colocar a la distancia que se desee. Si los canales se van a usar para apoyar GearBoxes de pared Gladiator®, se deben instalar con una separación de 18" (46 cm).

8. Instale casquillos de extremo (se venden por separado)

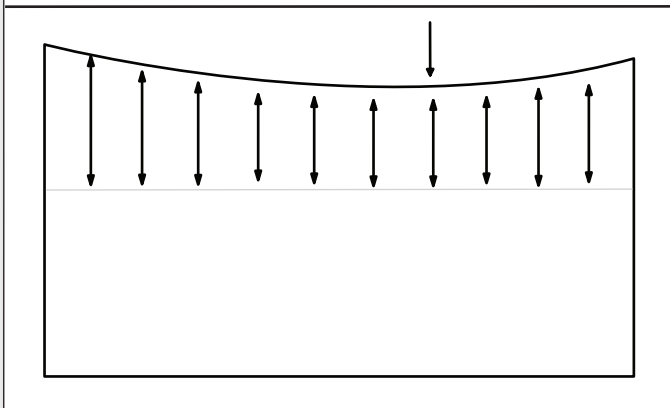


- Desde el frente, coloque a presión el casquillo de extremo sobre cada extremo del tramo de canal GearTrack®.

Instale los paneles Gearwall®

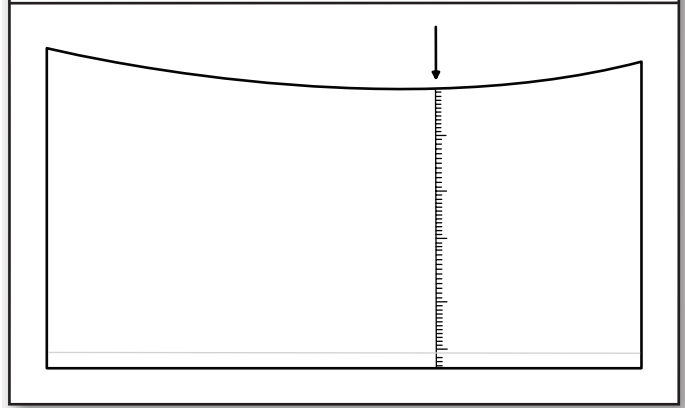
Planifique su instalación

1. Mida la curvatura del cielorraso



- Marque una línea nivelada con cordel entizado nivelado a una altura conveniente en las paredes. Mida desde la línea del cordel entizado hasta el cielorraso y determine el punto más bajo del cielorraso a lo largo de la pared.

2. Marque la parte inferior de la pared



- A partir del punto más bajo del cielorraso, mida hasta el piso. Redondee la medición hacia abajo hasta el pie más próximo y marque. Marque una línea con el cordel entizado a 1/4" (6,3 mm) por debajo de la marca. Repita el paso para las paredes restantes.

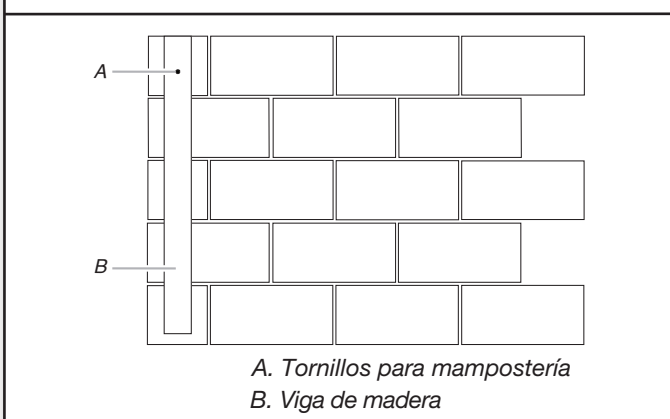
NOTA: Para una instalación en una pared parcial, simplemente trace una línea con el cordel entizado a la altura deseada de la parte inferior de la pared.

Prepare la pared

Pared de bloques de mampostería/concreto vaciado

- Antes de poder instalar los paneles en paredes de concreto vaciado o bloques de mampostería, debe instalar vigas de madera de 2" (5,08 cm) x 4" (10,16 cm) en la pared con el lado de 4" (10,16 cm) contra la pared. Las vigas de madera se deben instalar sobre toda el área que se cubrirá con los paneles GearWall®. Esto provee una superficie nivelada para montar los paneles.

1. Monte la primera viga

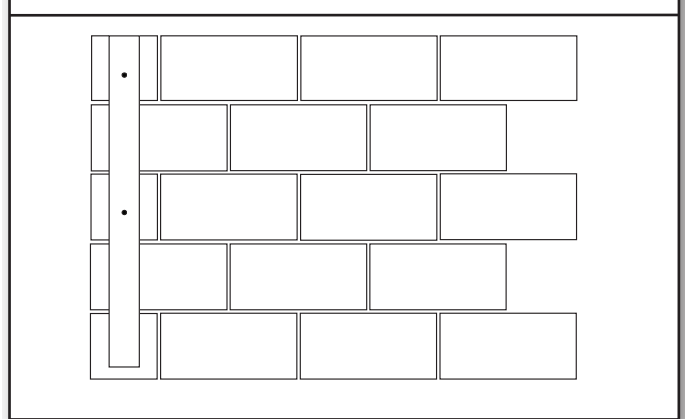


A. Tornillos para mampostería
B. Viga de madera

- Instale la primera viga en el borde inicial del área de cobertura deseada para que actúe como guía. Taladre un orificio a través de la viga y dentro de la superficie de la pared. Siga las instrucciones del fabricante de los tornillos para mampostería para una instalación adecuada. Para obtener resultados óptimos, utilice un taladro percutor y una broca para mampostería.

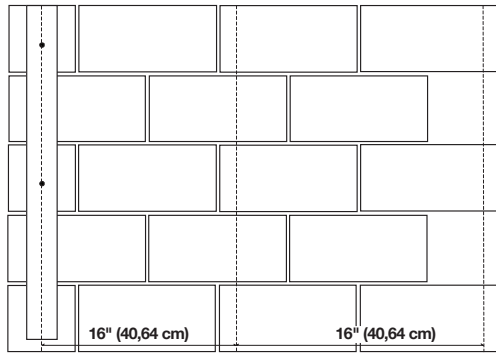
NOTA: Para reforzar la sujeción, puede colocar adhesivo para construcción sobre la viga antes de fijarla a la pared.

2. Asegure la primera viga



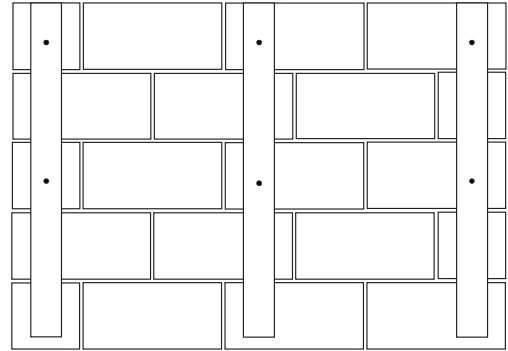
- Para asegurar la viga a la pared, coloque tornillos para mampostería de 1/4" (6,35 mm) x 2 3/4" (6,9 cm) cada 18" (45,72 cm).

3. Mida la ubicación de las vigas restantes



- Use esta viga como guía. Mida 16" (40,64 cm) desde la esquina y trace una línea vertical con un cordel entizado con plomada. Marque una línea con el cordel entizado a 16" (40,64 cm) desde este punto.

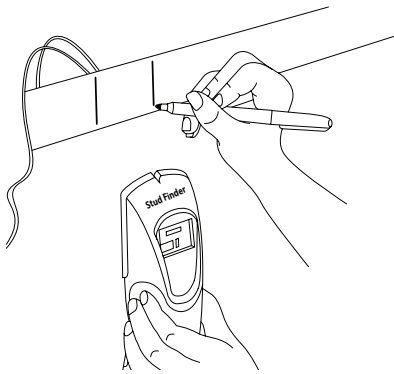
4. Monte las vigas restantes



- Alinee el centro de la viga con la línea de tiza. Fije las vigas restantes a la pared como lo hizo en los pasos 1-2.

Vigas de madera y panel de yeso sobre vigas de madera

1. Localice las vigas y los componentes eléctricos

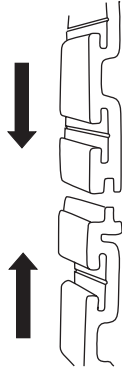


- Use un detector de vigas para marcar los bordes de las vigas dentro del área de instalación prevista. Asegúrese de marcar también la ubicación de los cables eléctricos.

IMPORTANTE: Compare la longitud de los tornillos con la ubicación de los cables eléctricos. Asegúrese de que el tornillo no perfora cables eléctricos.

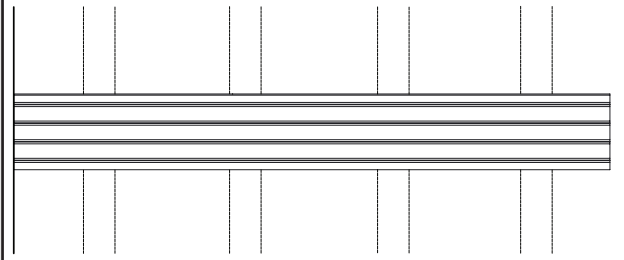
Monte los paneles

1. Oriente el panel



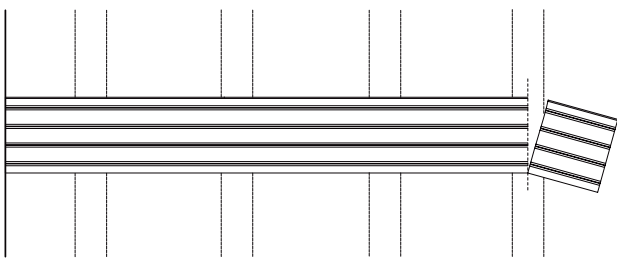
- Los paneles se instalan con la lengüeta de enclavamiento hacia arriba y la muesca abajo.

2. Mida el panel



- Mida desde el borde inicial del área de cobertura deseada hasta el centro de la última viga de madera que esté dentro de 4 ft (1,22 m). Tome nota de la interferencia con todas las ventanas, puertas y aberturas.

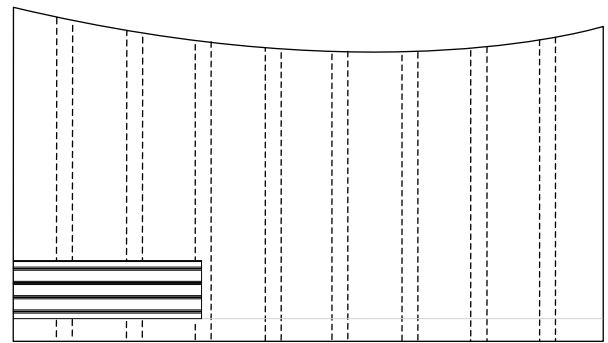
3. Corte a medida



- Corte el primer panel a este largo y asegúrese de que el corte sea a escuadra. Asegúrese de cortar también alrededor de todas las ventanas, puertas y aberturas.

NOTA: No deben utilizarse paneles de menos de 24" (60,96 cm) de longitud.

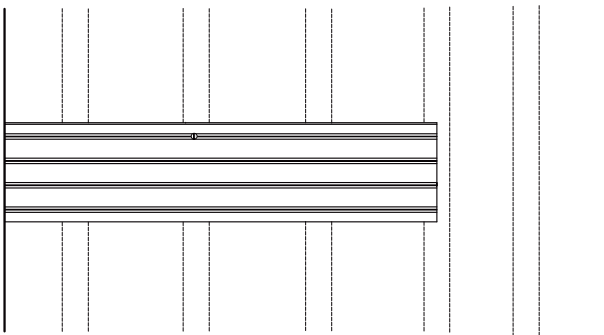
4. Ubique el panel



- Coloque el panel por encima de la línea de tiza horizontal aplicada en la sección "Prepare la pared". Alinee el panel con el borde inicial y con la línea de tiza horizontal.

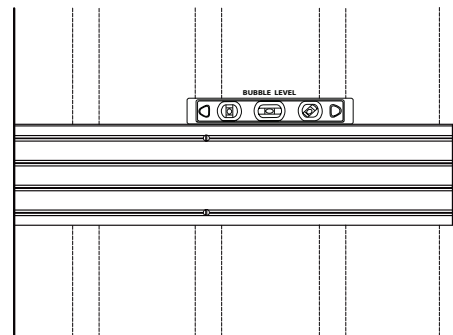
NOTA: Si instala un kit de molduras opcional, asegúrese de aplicarlo en este momento si lo montará contra una esquina interior (consulte "Opciones de molduras" para ver detalles).

5. Instale el primer tornillo



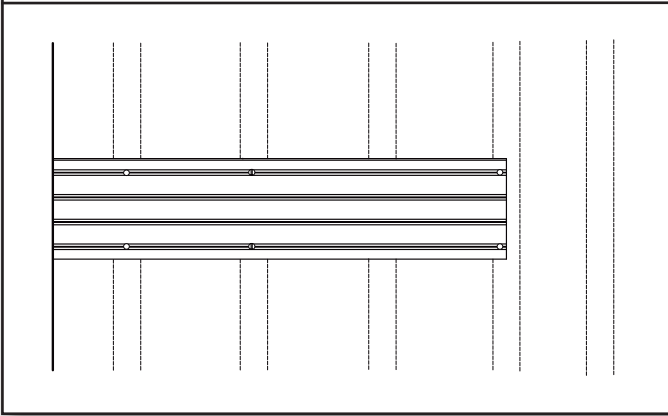
- Sostenga el panel levantado en la ubicación deseada e instale un tornillo a través de la muesca de la ranura superior y dentro del centro de la viga más cercana al centro del panel hasta que esté al ras con la superficie.

6. Nivele el panel



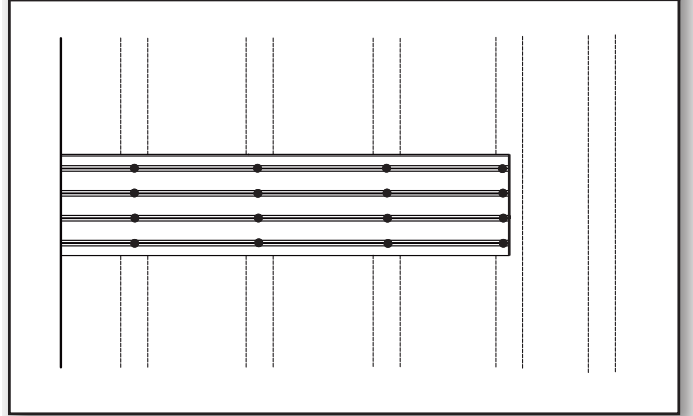
- Verifique que el panel esté nivelado y, después, instale un segundo tornillo a través de la muesca de la ranura inferior y dentro de la misma viga que en el paso anterior.

7. Taladre los orificios previamente



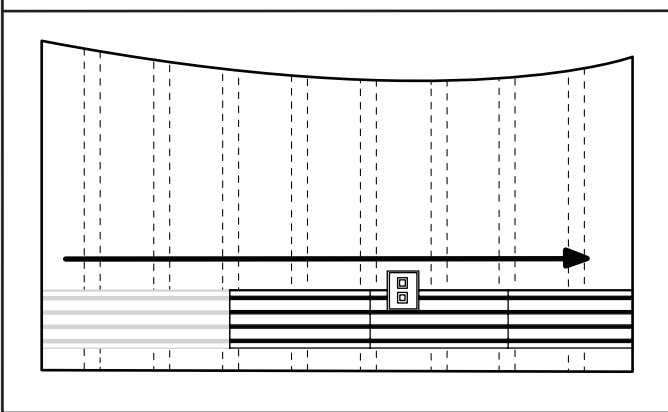
- Si se produce una separación, puede ser necesario taladrar previamente y avellanar los orificios de los tornillos cerca de los extremos del panel.

8. Instale los tornillos restantes



- Instale un tornillo en cada ranura en la ubicación de cada viga.

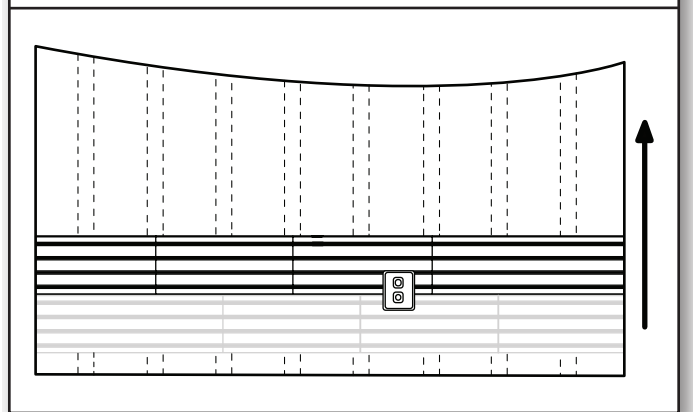
9. Repita hasta completar la fila



- Repita los pasos 1-4 con los paneles adicionales hasta llegar al borde opuesto del área de cobertura deseada.

NOTA: Si instala un kit de molduras opcional, asegúrese de instalar las molduras alrededor de todas las ventanas, puertas y aberturas que encuentre en el paso, así como a la pieza final de la fila si lo monta contra una esquina interior (consulte "Opciones de molduras" para ver detalles).

10. Repita hasta obtener la cobertura deseada

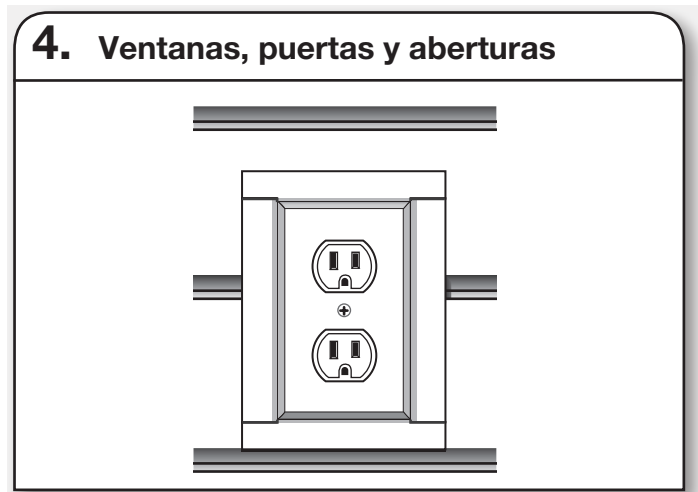
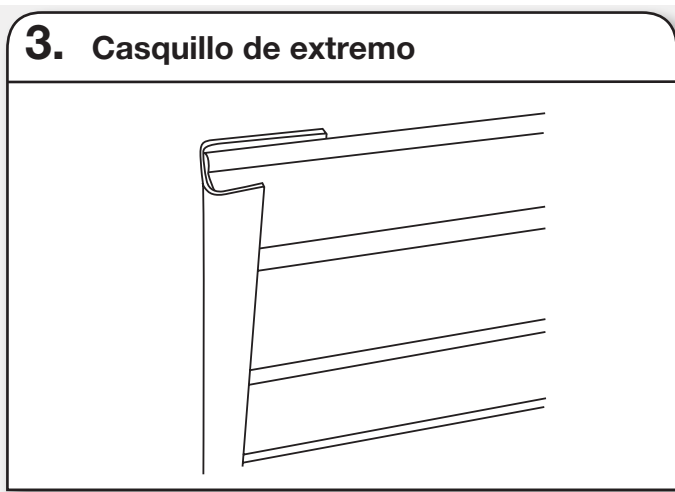
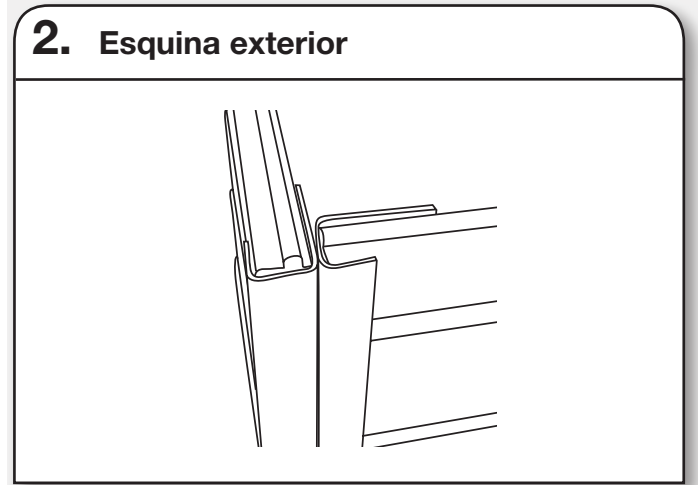
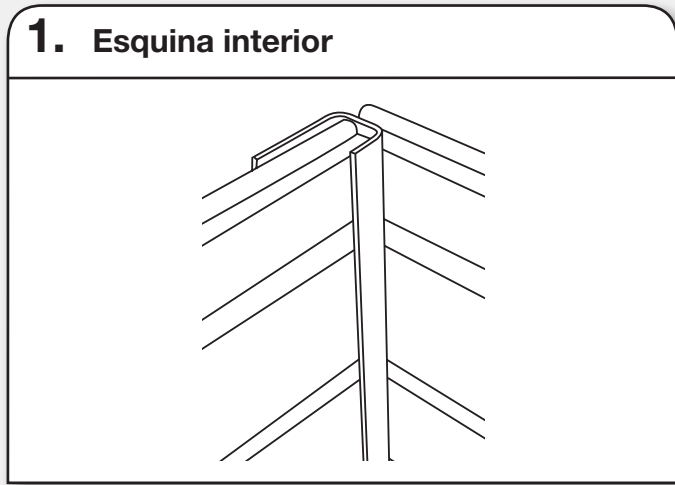


- Repita el paso 5 e instale cada fila siguiente de paneles de pared hasta terminar la pared. Si la pared es más ancha que el panel de 4 ft (1,22 m), deberá escalonar las juntas de los paneles verticales de cada fila con las uniones en las vigas de madera, como se muestra.

NOTA: Los paneles de la última fila pueden ser cortados a lo largo para ajustarse a la altura requerida.

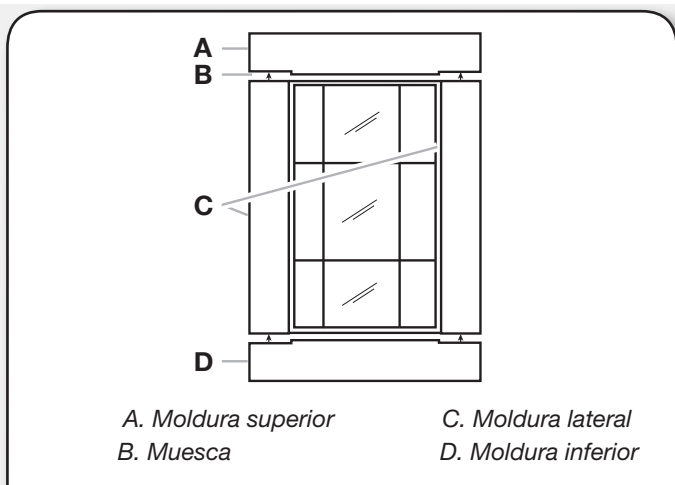
Opciones de molduras

■ Puede aplicar molduras a cualquier esquina o borde expuesto. A continuación hay algunas configuraciones recomendadas:



NOTA: Las opciones de molduras actuales no se aplican a instalaciones sobre paredes de bloques de mampostería o concreto vaciado.

■ También se puede aplicar molduras alrededor de las ventanas, puertas y aberturas. Asegúrese de marcar una muesca en la moldura, como se muestra, para asegurar un encaje justo:

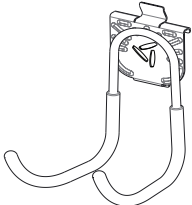
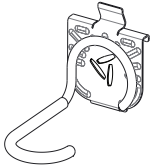
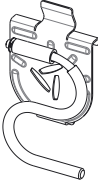
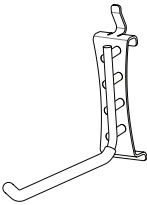

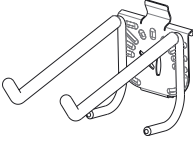
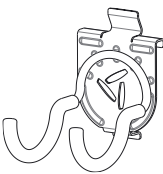
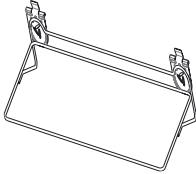
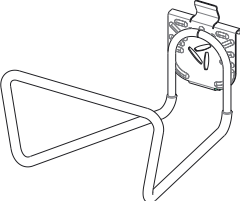
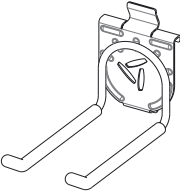
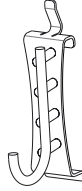



INSTRUCCIONES PARA LA INSTALACIÓN DE GANCHOS, RECIPIENTES Y CESTAS

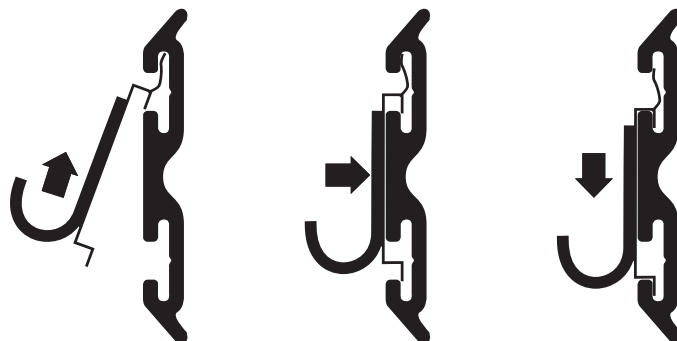
Piezas	Límite de peso máximo
Gancho de mordaza, gancho dual, gancho grande, gancho multiuso	50 lb (22,7 kg)
Gancho horizontal para bicicleta	25 lb (11,3 kg) para cada gancho y 50 lb (22,7 kg) para el par
Gancho profundo, gancho ancho, gancho vertical para bicicleta	30 lb (13,6 kg)
Gancho para herramientas, gancho horquilla, gancho doble, gancho en S, gancho en cuchara	25 lb (11,3 kg)
Gancho para caña de pescar	10 lb (4,5 kg) para cada gancho y 20 lb (9,1 kg) para el par
Gancho en J y en L, gancho en lazo	5 lb (2,2 kg)
Soporte para recipiente de almacenamiento	25 lb (11,3 kg) para cada gancho y 50 lb (22,7 kg) para el par
24" (60,96 cm) Cesta de malla	35 lb (15,9 kg)
18" (45,7 cm) Cesta de alambre	35 lb (15,9 kg)
Bolso organizador	25 lb (22,7 kg)
Contenedor para artículos pequeños	10 lb (4,5 kg)

IMPORTANTE: Previstos para ser instalados sobre paneles GearWall® o canales GearTrack® Gladiator® Garageworks.

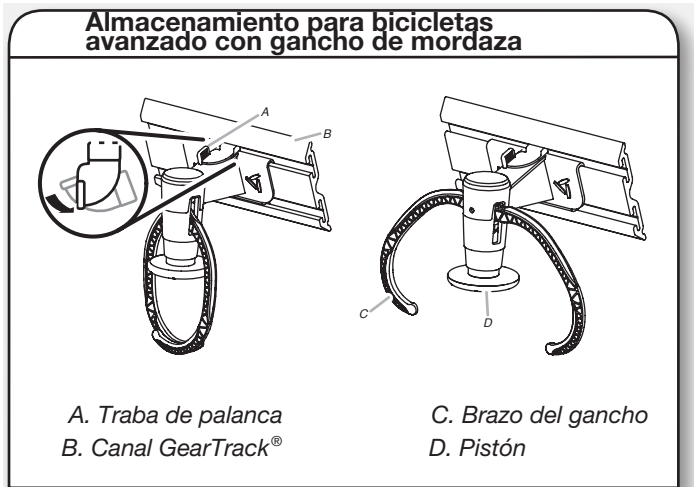
NOTA: Asegúrese de que el panel GearWall® o el canal GearTrack® Gladiator® se instalen con tornillos de montaje en cada ranura y en la ubicación de cada viga con un máximo de 24" (60,96 cm) en sentido horizontal entre los tornillos.

			
Gancho grande	Gancho vertical para bicicletas	Gancho en S	Gancho en L
			
Gancho multiuso	Gancho para herramientas	Gancho en cuchara	Cesta de malla
			
Gancho profundo	Gancho doble	Gancho en J	Cesta de alambre

Instalación de ganchos en canales GearTrack®/paneles GearWall®



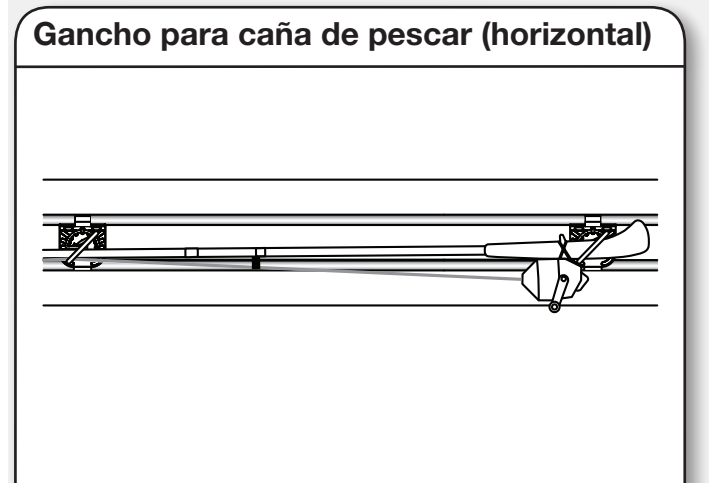
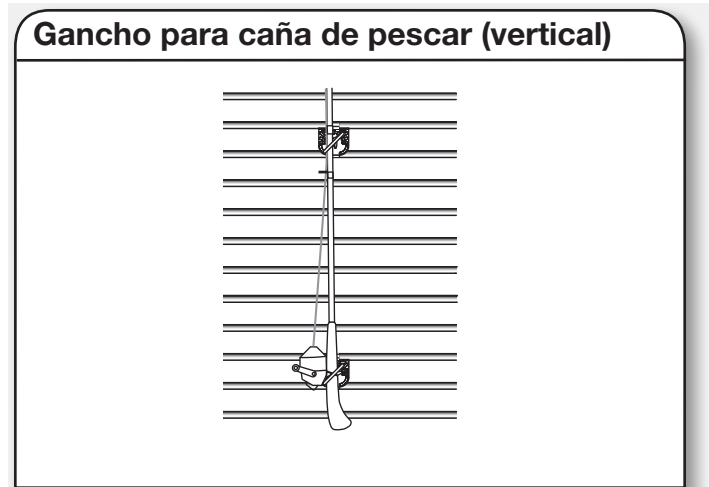
Instale el almacenamiento para bicicletas avanzado con gancho de mordaza v3.0



IMPORTANTE:

- El gancho de almacenamiento para bicicletas avanzado Gladiator Claw™ v3.0 sostiene cualquiera de las ruedas de una bicicleta.
1. Decida dónde desea colgar la bicicleta. Para enganchar el soporte de montaje del gancho de almacenamiento para bicicletas en las ranuras de la pared, levante los bordes del soporte, empújelos hacia la pared y bájelos para instalarlos dentro de las ranuras.
 2. Inspeccione el gancho de almacenamiento para bicicletas desde el costado para asegurarse de que los rebordes del soporte de montaje estén completamente enganchados en las ranuras.
 3. Gire la traba de palanca en sentido antihorario para trabar el gancho de almacenamiento en el panel GearWall® o el canal GearTrack®. Cerciórese de que la traba de la palanca esté en la posición completamente trabada, como se muestra.
 4. Presione el pistón hasta que los brazos del gancho estén en posición abierta.
 5. Levante la bicicleta y presione el neumático de la bicicleta contra el pistón. Los brazos del gancho se cerrarán alrededor de la rueda. Asegúrese de que ambos brazos estén completamente cerrados alrededor de la rueda.
 6. Para retirar la bicicleta, levántela y presione el neumático contra el pistón. Los brazos del gancho se abrirán para liberar la rueda de la bicicleta.

Instale el gancho para caña de pescar



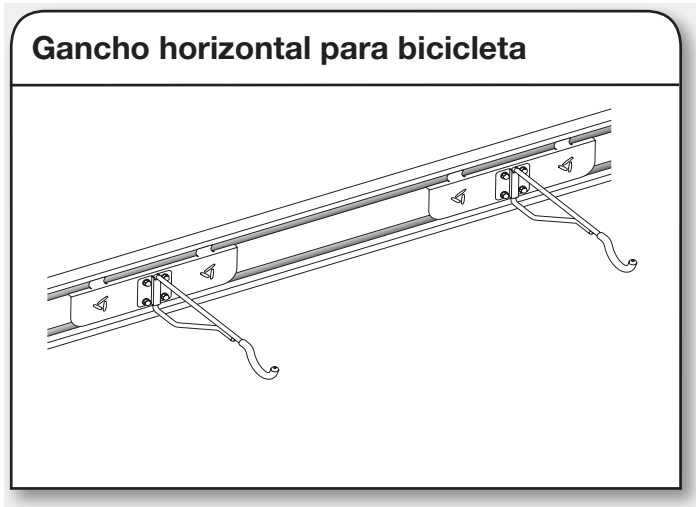
- El conjunto de cuatro soportes para cañas de pescar, diseñado para usarse como un par, permite colocar dos cañas de pescar montadas en sentido vertical u horizontal, como se muestra.

1. Instale los soportes para caña de pescar en las ranuras del panel GearWall® o del canal GearTrack®, de modo que la distancia entre los soportes sea de la mitad de la longitud de la caña de pescar.

NOTA: Para enganchar los bordes del soporte dentro de las ranuras, levante los bordes, empújelos hacia la pared y bájelos para insertarlos en las ranuras.

2. Inspeccione el soporte desde el costado para asegurarse de que los bordes estén completamente enganchados en sus respectivas ranuras, como se muestra.
3. Coloque la caña de pescar dentro de los soportes.

Instale el gancho para bicicleta horizontal



- Cuando no está en uso, el gancho para bicicleta se puede rotar hacia el costado para apoyarlo plano contra el soporte.
- 1. Para enganchar los bordes del soporte del gancho para bicicleta horizontal dentro de las ranuras en el panel GearWall® o el canal GearTrack®, levante los bordes, empújelos hacia la pared y bájelos para insertarlos en las ranuras.
- 2. Inspeccione el soporte desde el costado para asegurarse de que los bordes estén completamente enganchados en sus respectivas ranuras, como se muestra.

Instale el soporte para recipiente de almacenamiento



- Los soportes para recipientes, diseñados para ser utilizados como un par, permiten colocar un recipiente de almacenamiento hasta un tamaño máximo de 18 galones.
- 1. El recipiente de almacenamiento debe medir de 4" (10,2 cm) a 5" (12,7 cm) desde la parte inferior.
- 2. Instale los soportes del recipiente de almacenamiento en las ranuras del panel GearWall® o del canal GearTrack® de modo que la distancia entre la parte superior de los soportes sea igual a la longitud del recipiente de almacenamiento.
NOTA: Para enganchar los bordes del soporte dentro de las ranuras, levante los bordes, empújelos hacia la pared y bájelos para insertarlos en las ranuras.
- 3. Inspeccione el soporte desde el costado para asegurarse de que los bordes estén completamente enganchados en sus respectivas ranuras, como se muestra.
- 4. Coloque el recipiente de almacenamiento en los soportes de modo que la base y los lados estén sostenidos por los soportes del recipiente de almacenamiento.

GARANTÍA

Para obtener información sobre la garantía:

En EE. UU., llame al **1-866-342-4089** o visite nuestro sitio web en **www.gladiatorgarageworks.com**

En Canadá, llame al **1-800-807-6777** o visite nuestro sitio web en **www.gladiatorgarageworks.ca**

