

INSTALL

COLUMN REFRIGERATION

SINGLE UNIT

RÉFRIGÉRATEUR INTÉGRÉ EN COLONNE

COMPARTIMENT UNIQUE

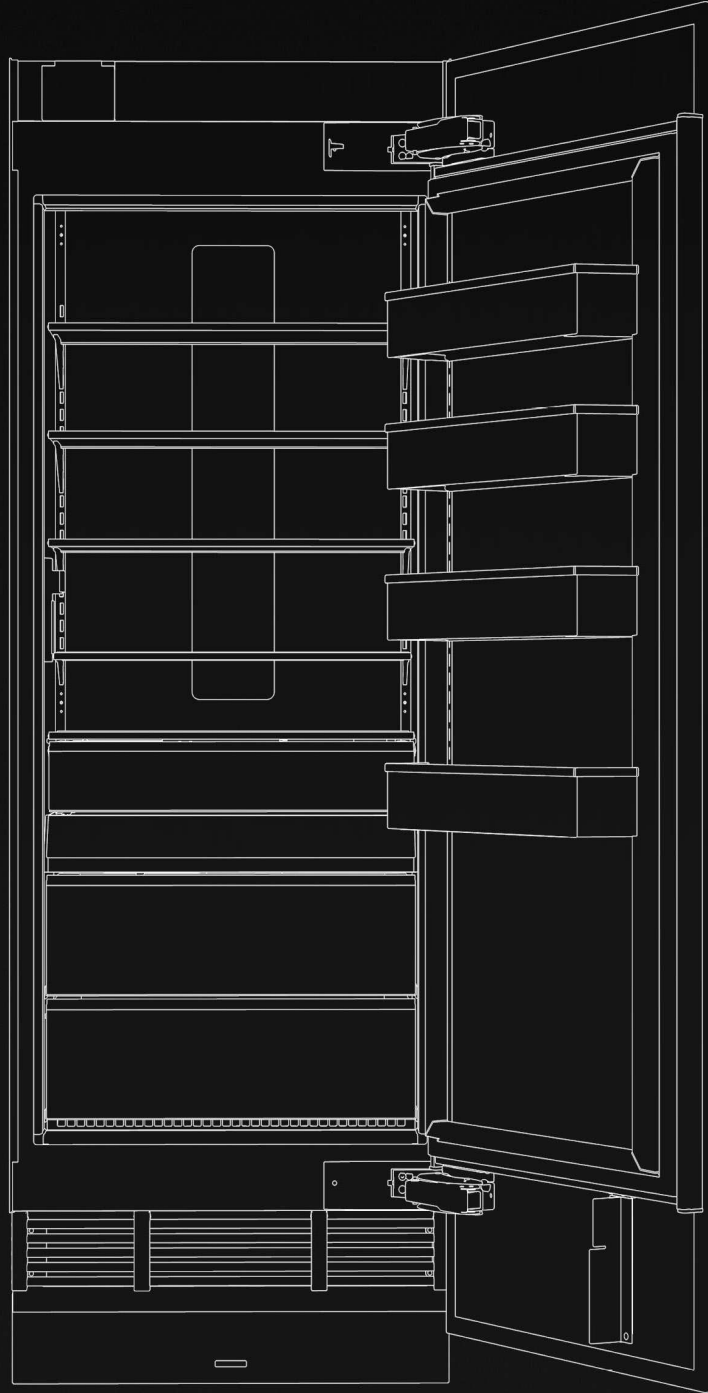


TABLE OF CONTENTS

INTRODUCTION

03	SAFETY INSTRUCTIONS
05	TOOLS & PARTS
07	PRODUCT DIMENSIONS
09	OPENING DIMENSIONS
11	SITE PREP

PREPARATION

15	SECTION 1	COLUMN
17	SECTION 2	FURNITURE

COLUMN

19	SECTION 3	INSTALLATION
----	-----------	--------------

TOE KICK

22	SECTION 4	COLUMN PREPARATION
24	SECTION 5	CUSTOM WOOD PREPARATION
25	SECTION 6	STAINLESS STEEL PREPARATION
26	SECTION 7	ALIGNMENT AND INSTALLATION

PANEL

28	SECTION 8	CUSTOM WOOD PREPARATION
30	SECTION 9	STAINLESS STEEL PREPARATION
31	SECTION 10	HANGING AND ADJUSTMENT

COMPLETE

33	SECTION 11	COMPLETE INSTALLATION
----	------------	-----------------------

APPENDIX

35	ADDITIONAL SHIM INFORMATION
----	-----------------------------

TABLE DES MATIÈRES

INTRODUCTION

37	INSTRUCTIONS DE SÉCURITÉ
39	OUTILS ET PIÈCES
41	DIMENSIONS DU PRODUIT
43	DIMENSIONS OUVERTURE
45	PRÉPARATION DE L'EMPLACEMENT

PRÉPARATION

49	SECTION 1	RÉFRIGÉRATEUR INTÉGRÉ EN COLONNE
51	SECTION 2	MEUBLE

RÉFRIGÉRATEUR INTÉGRÉ EN COLONNE

53	SECTION 3	INSTALLATION
----	-----------	--------------

PLINTHE

56	SECTION 4	PRÉPARATION DE L'APPAREIL
58	SECTION 5	PRÉPARATION DU PANNEAU EN BOIS PERSONNALISÉ
59	SECTION 6	PRÉPARATION DU PANNEAU EN ACIER INOXYDABLE
60	SECTION 7	ALIGNEMENT ET INSTALLATION

PANNEAU

62	SECTION 8	PRÉPARATION DU PANNEAU EN BOIS PERSONNALISÉ
64	SECTION 9	PRÉPARATION DU PANNEAU EN ACIER INOXYDABLE
65	SECTION 10	SUSPENSION ET AJUSTEMENT

TERMINER

67	SECTION 11	TERMINER L'INSTALLATION
----	------------	-------------------------

ANNEXE

69	INFORMATIONS SUPPLÉMENTAIRES SUR LES CALES
----	--

Your safety and the safety of others are very important.

We have provided many important safety messages in this manual and on your appliance. Always read and obey all safety messages.



This is the safety alert symbol.

This symbol alerts you to potential hazards that can kill or hurt you and others.

All safety messages will follow the safety alert symbol and either the word "DANGER" or "WARNING." These words mean:

! DANGER

You can be killed or seriously injured if you don't immediately follow instructions.

! WARNING

You can be killed or seriously injured if you don't follow instructions.

All safety messages will tell you what the potential hazard is, tell you how to reduce the chance of injury, and tell you what can happen if the instructions are not followed.

IMPORTANT SAFETY INSTRUCTIONS

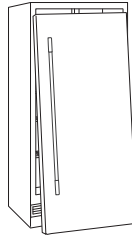
WARNING: To reduce the risk of fire, electric shock, or injury to persons when using your appliance, follow basic precautions, including the following:

- Children should be supervised to ensure that they do not play with the appliance.
- This appliance is not intended for use by persons (including children) with reduced physical, sensory, or mental capabilities, or lack of experience and knowledge, unless they have been given supervision or instruction concerning use of the appliance by a person responsible for their safety.
- Do not use an extension cord.
- If power supply cord is damaged, it must be replaced by the manufacturer, its service agent, or a similarly qualified person in order to avoid a hazard.
- Connect to potable water supply only.
- This appliance is intended to be used in household and similar applications such as: staff kitchen areas in shops, offices, and other working environments; farm houses and by clients in hotels, motels, and other residential-type environments; bed and breakfast-type environments; and catering and similar non-retail applications.
- Do not store explosive substances such as aerosol cans with a flammable propellant in this appliance.
- Do not use replacement parts that have not been recommended by the manufacturer (e.g., parts made at home using a 3D printer).
- Keep ventilation openings, in the appliance enclosure or in the built-in structure, clear of obstruction.
- Do not use mechanical devices or other means to accelerate the defrosting process, other than those recommended by the manufacturer.
- Do not damage the refrigerant circuit.
- Do not use electrical appliances inside the food storage compartments of the appliance, unless they are of the type recommended by the manufacturer.
- Ice maker kit can be added to some models. See serial tag inside the food compartment of appliance for ice maker kit model information.
- A qualified service technician must install the water line and ice maker. See installation instructions supplied with ice maker kit for complete details.

SAVE THESE INSTRUCTIONS

WARNING: Risk of child entrapment. Before you throw away your old refrigerator or freezer:

- Take off the doors.
- Leave the shelves in place so that children may not easily climb inside.



IMPORTANT: Child entrapment and suffocation are not problems of the past. Junked or abandoned refrigerators are still dangerous—even if they will sit for “just a few days.” If you are getting rid of your old refrigerator, please follow these instructions to help prevent accidents.

⚠️ WARNING

Suffocation Hazard

**Remove doors from your old refrigerator.
Failure to do so can result in death or brain damage.**

Important information to know about disposal of refrigerants:

Dispose of refrigerator in accordance with Federal and Local regulations. Refrigerants must be evacuated by a licensed, EPA certified refrigerant technician in accordance with established procedures.

E A S E . S P E E D . S A F E T Y .

With the launch of the first ever JennAir® columns, we reimaged the entire columns installation process, eliminating problems that affect our sub-par competitors. Some of the features professional installers are most excited about:

- Concealed six-point panel adjustment
Easy and precise alignment
- Site-tailored Rotter system shims
Guide and keep column in position
- Precision four-point front leveling
On sturdy rollers that easily bear full weight
- Metal fascia
Increases durability
- Solid wood core stainless steel panels
Easy to prep and hang and do not require drilling through steel
- Expanded utility areas
Reduced changes to replace built-ins or upgrade from competitor columns

And with your help, we'll just keep getting better.

Contact the JennAir Epicenter through jennair.com or at 1-800-JENNAIR (536-6247) to report installation tips and tricks, or to consult with experts who know the installation process inside and out.

W H Y W E L O V E J E N N A I R I N S T A L L E R S

THEY'RE TOTAL PROFESSIONALS AND PERFECTIONISTS .

It's all about getting that seamless flush execution, that down-to-the-millimeter adjustment. Flawless installation is incredibly important to the function, appearance and lifetime enjoyment of our products, and our installers make it happen every day.

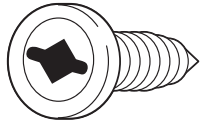
THEY DO THEIR HOMEWORK. AND HELP US WITH OURS.

These experts know JennAir® products inside and out. They train extensively on JennAir installation, learning the latest techniques and insider tips so they can install our cutting edge appliances with ease. And we value their input, incorporating installer feedback to refine and perfect our installations.

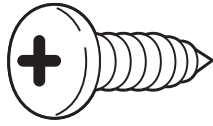
THEY THINK THROUGH EVERY DETAIL OF THE EXPERIENCE.

Above and beyond dedication is the baseline. The JennAir experience starts the minute an installer brings the customer's column home. Keeping the site spotless, taking extreme care with both the appliances and the home and providing an unforgettable introduction to columns is all part of the game plan.

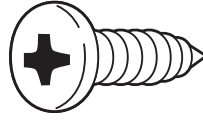
TOOLS + PARTS PROVIDED



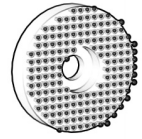
#2 Square-drive screws



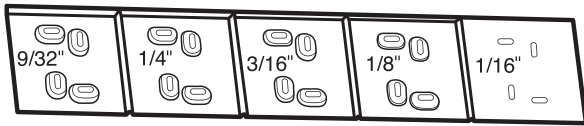
8-18 x 3/4 Phillips head screws



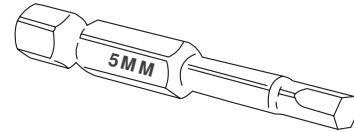
6-20 x 0.375 screws



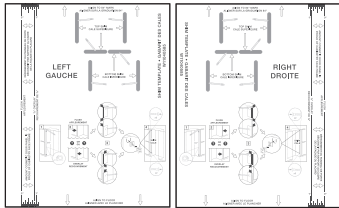
Gripping pads



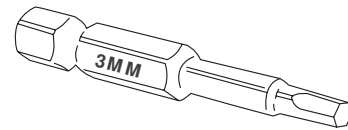
Four installation shims



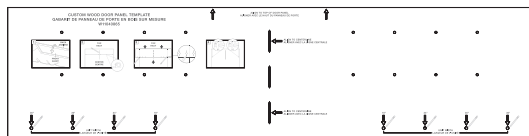
5 mm driver bit



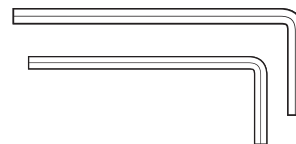
Shim installation template



3 mm driver bit



Toe-kick and door panel installation template



3 mm Allen^{®†} wrench
5 mm Allen^{®†} wrench



READ AND FOLLOW THE INSTRUCTIONS PROVIDED WITH ANY OF THE TOOLS LISTED.

†[®]Allen is a registered trademark of Apex Brands, Inc.

TOOLS + PARTS

NOT PROVIDED

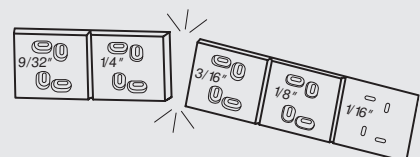
TOOLS
<input type="checkbox"/> Cordless drill and drill bits or impact driver
<input type="checkbox"/> Drill bit set including 3/32" and 1/8" diameter bits
<input type="checkbox"/> Two adjustable wrenches
<input type="checkbox"/> #2 Phillips bit
<input type="checkbox"/> 1/4" magnetic nut driver
<input type="checkbox"/> #2 square-drive bit
<input type="checkbox"/> 48" or longer level or straight edge
<input type="checkbox"/> 3/8" and 1/2" open-end wrenches
<input type="checkbox"/> Tape measure
<input type="checkbox"/> Utility knife
<input type="checkbox"/> Masking tape
<input type="checkbox"/> Appliance dolly
<input type="checkbox"/> Right angle drill adapter
<input type="checkbox"/> 6" drill extension
<input type="checkbox"/> #8 pan head wood screws of assorted lengths including 1", 1 1/2", 1 3/4"

PARTS
<input type="checkbox"/> Flexible code-approved water supply line
<input type="checkbox"/> Custom door panels <ul style="list-style-type: none"> • Stainless steel panels: order from JennAir • Custom wood panels: consult a qualified cabinetmaker or carpenter
<input type="checkbox"/> Additional fasteners will be required according to the kitchen furniture construction

WHY USE ROTTER SYSTEM SHIMS?

This recommended process might be unfamiliar to you as an installer, but it adds enormous value to both you and your client. Use the Rotter system to:

- Help position column without scratching
- Create precise 1/8" reveals on each side
- Always have ready-made shims tailored to each site
- Keep column stable in cutout over lifetime
- Eliminate misalignment issues for your client.



DIMENSIONS

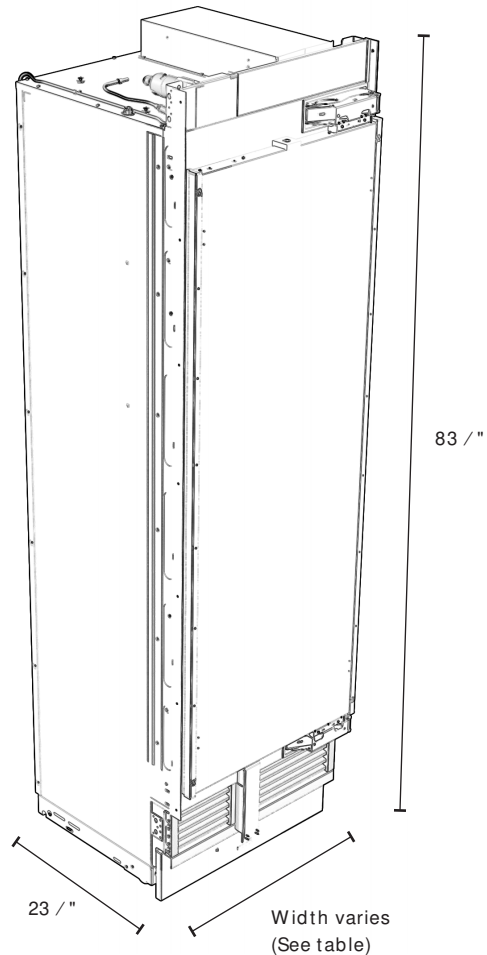
PRODUCT

OVERALL PRODUCT NO PANEL

Width	See unit width table below
Height	83 / " (212 cm)
Depth	23 / " (60.6 cm)
Raw Door Height	62 / " (157.9 cm)
Toe-kick Height	3 / " (9.1cm)
Toe-kick Depth	3 / "-4 / " (8.3 cm -12.4 cm)

PRODUCT WIDTH

Model	Width
18" JBZFR18IGX JBZFL18IGX ALOVE18FLC	17 / " (45.1 cm)
24" JBRFR24IGX JBRFL24IGX JBZFR24IGX JBZFL24IGX ALOVE24FLC ALOVE24RRC	23 / " (60.3 cm)
30" JBRFR30IGX JBRFL30IGX JBZFR30IGX JBZFL30IGX ALOVE30RRC	29 / " (75.6 cm)
36" JBRFR36IGX JBRFL36IGX	35 / " (90.8 cm)



DIMENSIONS

ACCESSORIES

STAINLESS STEEL PANEL

Height	80" (203.2 cm)
Thickness	13/16" (2.1 cm)

CUSTOM PANEL

Thickness	3/4" (1.9 cm) maximum
Weight	60 lbs (27.2 kg) maximum
Typical Height	80" (203.2 cm)

CUSTOM TOE KICK

Height	3 / " (9.1cm)
Thickness	3/16"-3/4" (0.47 cm -1.9 cm)

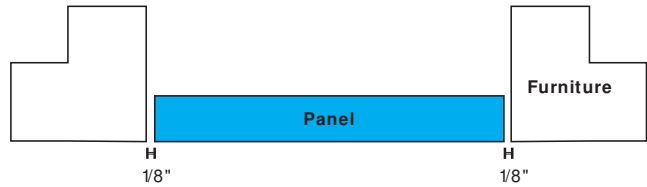
DOOR STYLE

CUSTOM PANEL WIDTH

⚠ CAUTION

Pinch Hazard
 Installation of door panels with less than a 3/8" (0.95 cm) gap between the door panel and the adjacent cabinet increases the risk of potential pinching.

MODEL	FLUSH WIDTH
18"	17 / " (45.1cm)
24"	23 / " (60.3 cm)
30"	29 / " (75.6 cm)
36"	35 / " (90.8 cm)

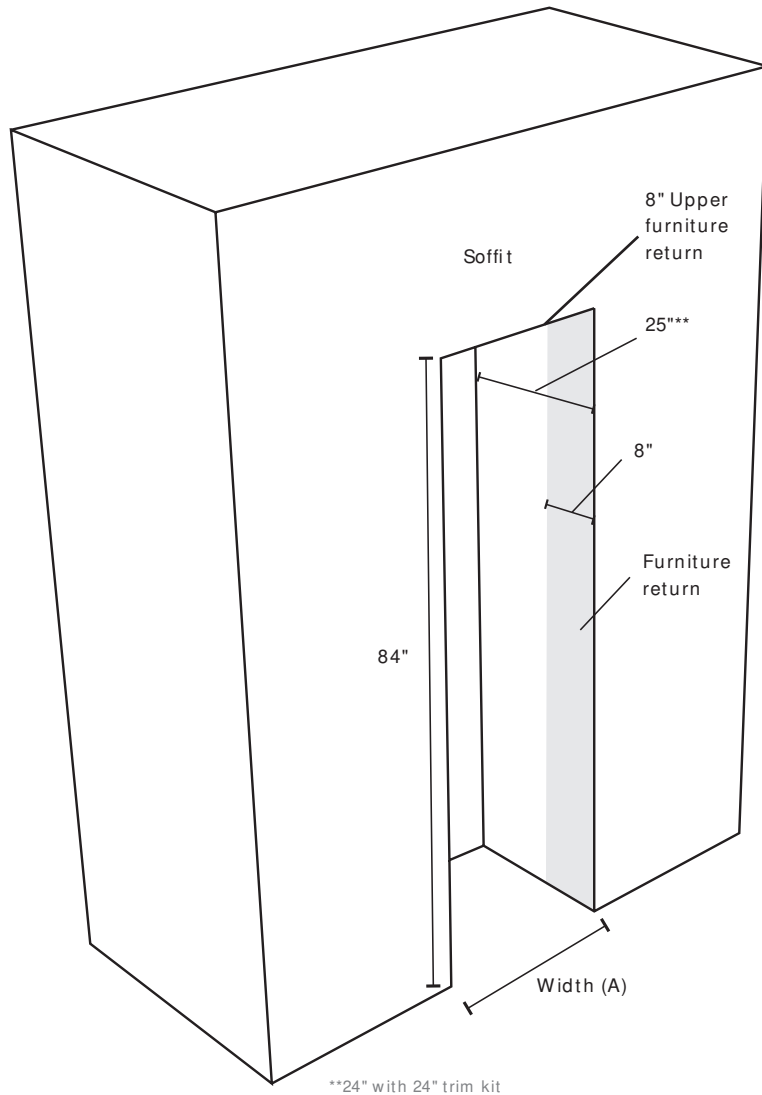


DIMENSIONS

OPENING

OPENING WIDTH

Model	Width (A)
18" JBZFR18IGX JBZFL18IGX ALOVE18FLC	18" (45.7 cm)
24" JBRFR24IGX JBRFL24IGX JBZFR24IGX JBZFL24IGX ALOVE24FLC ALOVE24RRC	24" (61 cm)
30" JBRFR30IGX JBRFL30IGX JBZFR30IGX JBZFL30IGX ALOVE30RRC	30" (76.2 cm)
36" JBRFR36IGX JBRFL36IGX	36" (91.4 cm)



DIMENSIONS

OPENING

CAUTION

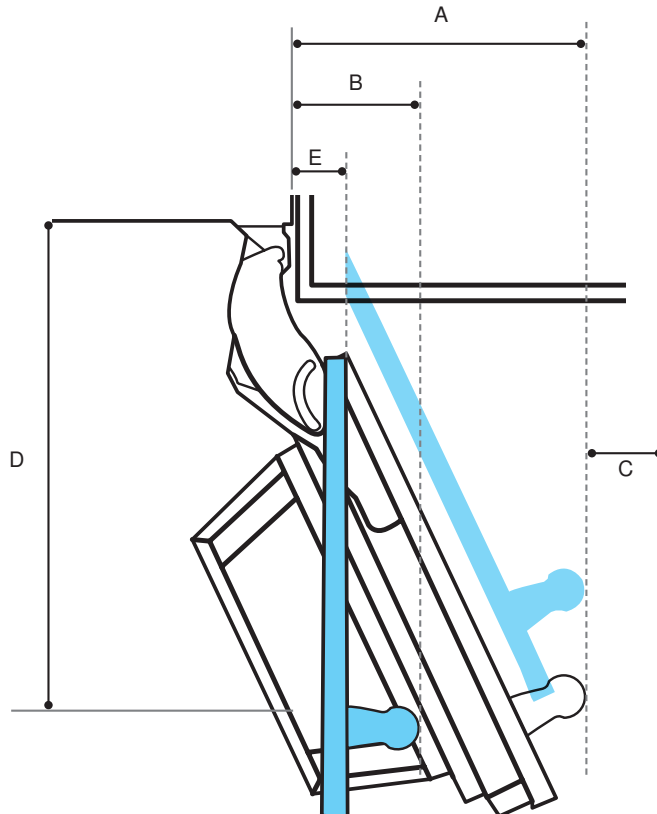
Pinch Hazard

Installation of door panels with less than a 3/8" (0.95 cm) gap between the door panel and the adjacent cabinet increases the risk of potential pinching.

DOOR SWING REQUIREMENTS

Model	115° Door Swing "A"	90° Door Swing "B"	Wall Gap "C"	Door Open Depth "D"	Cutout to the face of 3/4" panel with door at 90° "E"
18"	10 / " (26.7 cm)	5" (12.7 cm)	2 / " (6.4 cm)	44 / " (113 cm)	1 / " (3.05 cm) minimum
24"	13" (33 cm)	5" (12.7 cm)	2 / " (6.4 cm)	50 / " (128.3 cm)	1 / " (3.05 cm) minimum
30"	15 / " (39.4 cm)	5" (12.7 cm)	2 / " (6.4 cm)	56 / " (143 cm)	1 / " (3.05 cm) minimum
36"	18" (45.7 cm)	5" (12.7 cm)	2 / " (6.4 cm)	62 / " (158.6 cm)	1 / " (3.05 cm) minimum

Dimensions give 2 / " spacing between stainless steel handle accessory and wall to avoid pinching. For a custom wood panel, consider handle depth to maintain 2 / " spacing.



SITE PREP

1. CHECK THE FURNITURE

- Measure to make sure all opening dimensions are correct. (See previous page.)
- Side panel construction: 3/4" (1.9 cm) thick plywood
- IMPORTANT:** Cannot be constructed of pressed fiber material such as MDF.
- Soffit height (if present): 84" (213.4 cm)

⚠ WARNING



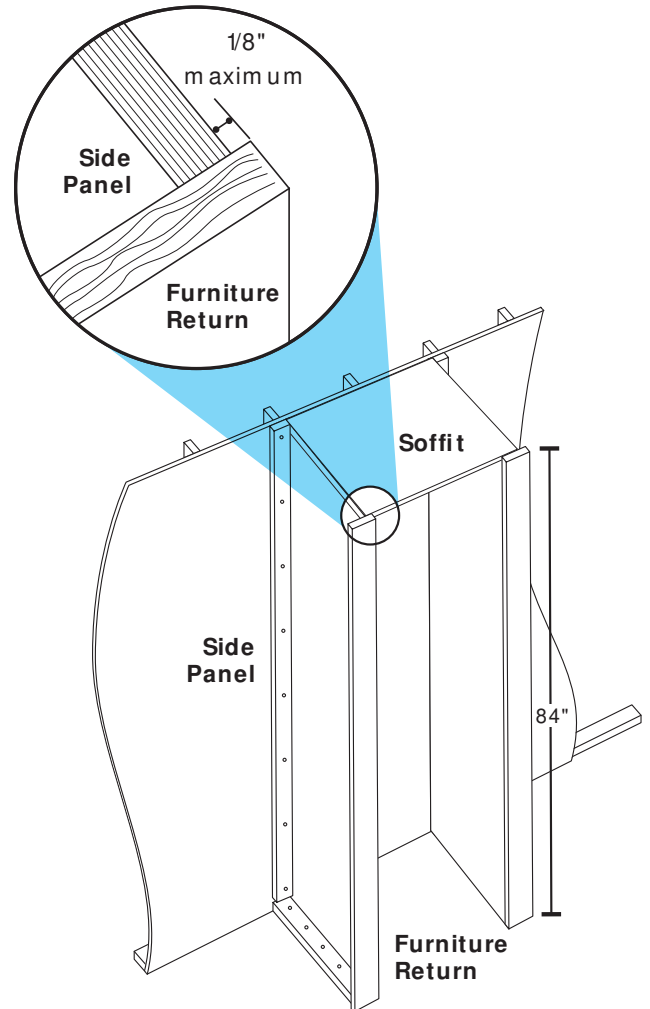
Explosion Hazard

Keep flammable materials and vapors, such as gasoline, away from refrigerator.

Failure to do so can result in death, explosion, or fire.

2. CHECK THE INSTALLATION SITE

- Away from ovens, radiators or other heat sources.
- Temperature will not fall below 55° F (13° C).
- Floor supports more than 600 lbs. (272 kg) plus door panel and contents weight.
- Floor level with the room.
- Furniture face plumb.



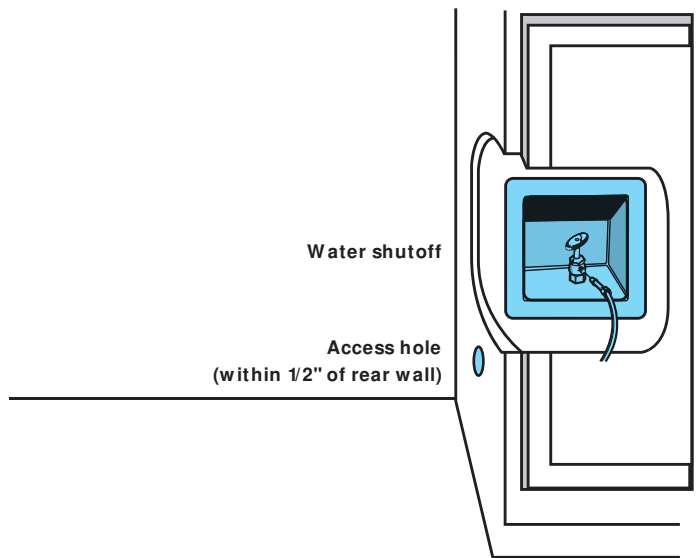
SITE PREP

3. CHECK THE WATER SUPPLY

- Water supply meets local plumbing codes.
- Water shutoff in base cabinet, as shown, or accessible area.
- Access hole through the cabinet is within 1/2" (1.3 cm) of the rear wall.
- Install any additional tubing only where temperatures remain above freezing. Check for leaks.
- Not using a piercing-type or 3/16" (4.76 mm) saddle valve. See refrigerator dealer for saddle-type valve kit that complies with local plumbing codes.
- If water pressure to reverse osmosis system is less than 40 to 60 psi (276 to 414 kPa):
 - Check sediment filter to see if it is blocked. Replace filter if necessary.
 - Allow the storage tank to refill after heavy usage.
 - Remove the water filter cartridge. No filter bypass is necessary.

WATER SUPPLY REQUIREMENTS

Water Pressure	30 – 120 psi (207 – 827 kPa)
Water Pressure to Reverse Osmosis System	Minimum 40 – 60 psi (276 – 414 kPa)
Excess Water Line for Connection	30" (76.2 cm)
Supply	1/4" OD copper, braided stainless steel or PEX tubing



? IF YOU HAVE QUESTIONS ABOUT YOUR WATER SUPPLY, CALL A LICENSED, QUALIFIED PLUMBER.

SITE PREP

⚠ WARNING



Electrical Shock Hazard

Plug into a grounded 3 prong outlet.

Do not remove ground prong.

Do not use an adapter.

Do not use an extension cord.

Failure to follow these instructions can result in death, fire, or electrical shock.

4. CHECK THE ELECTRICAL

- Column on a separate circuit. Outlet cannot be turned off by a switch.
- Not using an extension cord.
- Not using a GFCI protected outlet.
- Electrical installed in the zones highlighted. (See graphic to the right.)

Before you move your refrigerator into its final location, it is important to make sure you have the proper electrical connection.

If the supply cord is damaged, it must be replaced by the manufacturer or its service agent or a similarly qualified person. Do not use a cord that shows cracks or abrasion damage along its length or at either the plug or connector end.

Recommended Grounding Method

A 115 V, 60 Hz, AC only 15 A or 20 A fused, grounded electrical supply is required. Maximum amp draw for one column is 3.9 A. It is recommended that a separate circuit serving only your refrigerator and approved accessories be provided. Use an outlet that cannot be turned off by a switch. Do not use an extension cord.

IMPORTANT: If this product is connected to a GFCI (Ground Fault Circuit Interrupter) protected outlet, nuisance tripping of the power supply may occur, resulting in loss of cooling. Food quality and flavor may be affected. If nuisance tripping has occurred, and if the condition of the food appears poor, dispose of the food.

NOTE: Before performing any type of installation or cleaning, turn the master power switch to OFF or disconnect power at the circuit breaker box located behind the lower toe kick. When you are finished, turn ON the master power switch or reconnect power at the circuit breaker box. Then reset the control to the desired setting.

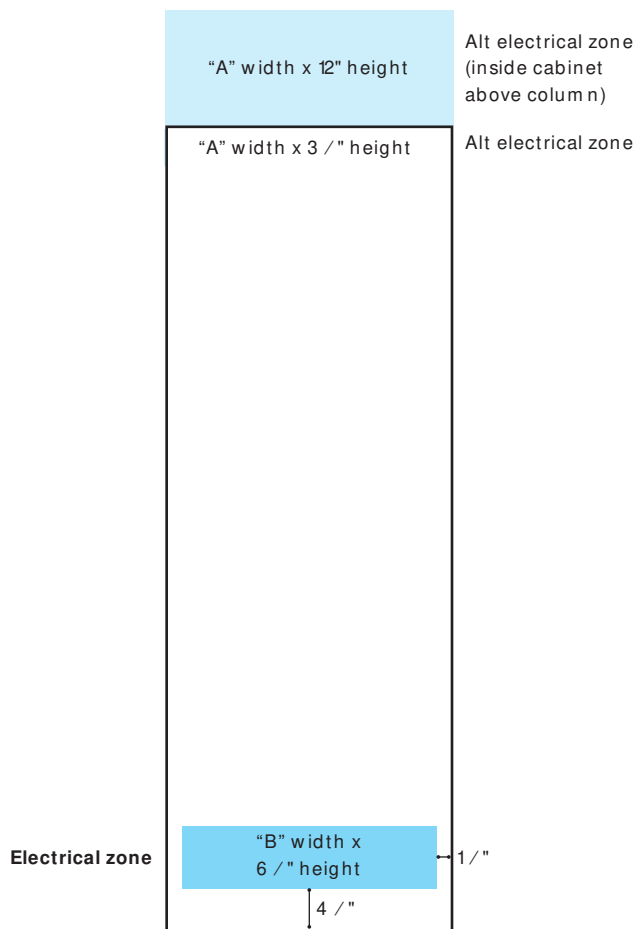


IF YOU HAVE QUESTIONS ABOUT YOUR ELECTRICAL SUPPLY, CALL A LICENSED, QUALIFIED ELECTRICIAN.

SITE PREP

ELECTRICAL REQUIREMENTS

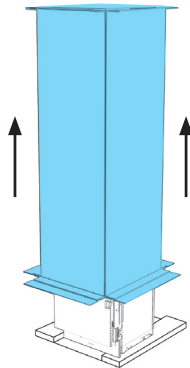
Product Width/ Alternate Electrical Zone Width "A"	Electrical Zone Width "B"
18" (45.7 cm)	14 /" (36.8 cm)
24" (61 cm)	20 /" (52 cm)
30" (76.2 cm)	26 /" (67.3 cm)
36" (91.4 cm)	32 /" (82.6 cm)



5. PRE INSTALLATION CHECK

- Verify customer's selected door style.
- Remove all installation materials from the deli drawer.
- Mark selected door style on templates and door depth gauges with a permanent marker.
- Verify that the diagonal measurements of opening match.
- Check design considerations document to verify panel and toe-kick dimensions, as well as gaps and overlays.
- Power cord length is 9 ft (274.32 cm).

1.1 UNCRATE COLUMN, DISCARD CARTON.



REMOVE INSTALLATION KIT FROM DELI DRAWER WHILE ON SKIDS.

BEFORE MOVING COLUMNS, REVIEW ALL WARNINGS.

WARNING



Tip Over Hazard

Refrigerator is top heavy and tips easily when not completely installed.

Keep doors taped closed until refrigerator is completely installed.

Use two or more people to move and install refrigerator.

Failure to do so can result in death or serious injury.

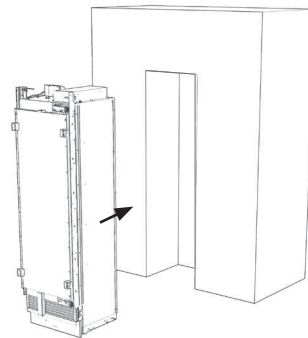
When Moving Your Refrigerator:

Your refrigerator is heavy. When moving the refrigerator for cleaning or service, be sure to cover the floor with cardboard or hardboard to avoid floor damage. Always pull the refrigerator straight out when moving it. Do not wiggle or “walk” the refrigerator when trying to move it, as floor damage could occur.

Important information to know about glass shelves and covers:

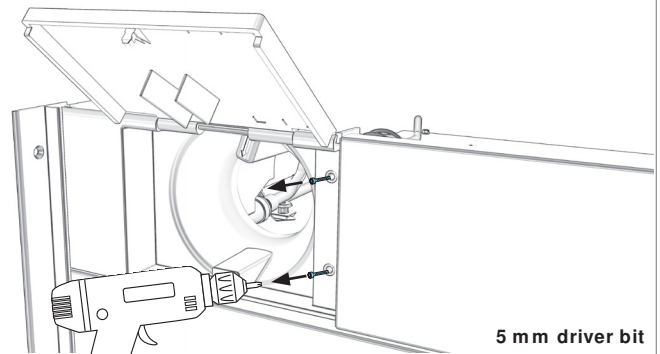
Do not clean glass shelves or covers with warm water when they are cold. Shelves and covers may break if exposed to sudden temperature changes or impact, such as bumping. Tempered glass is designed to shatter into many small, pebble-size pieces. This is normal. Glass shelves and covers are heavy. Use both hands when removing them to avoid dropping.

1.2 MOVE COLUMN IN FRONT OF OPENING.



USE TWO PEOPLE. DO NOT OPEN DOOR UNTIL COLUMN IS SECURED.

1.3 REMOVE BOTH WATER FILTER SCREWS.

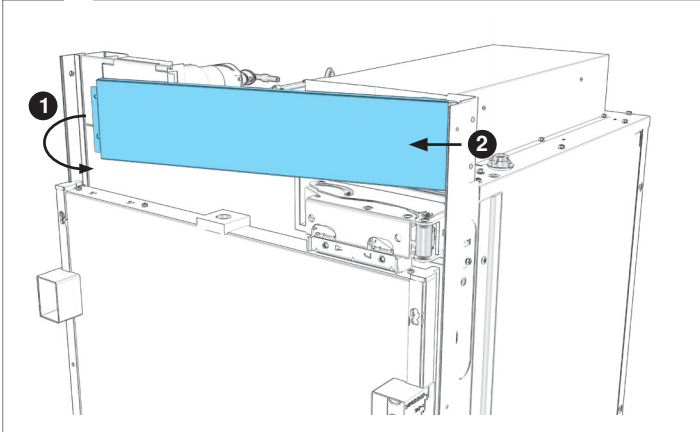


5 mm driver bit

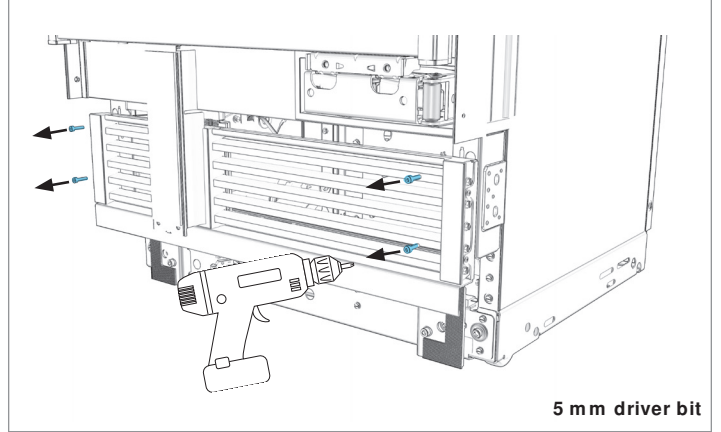
1

COLUMN PREPARATION

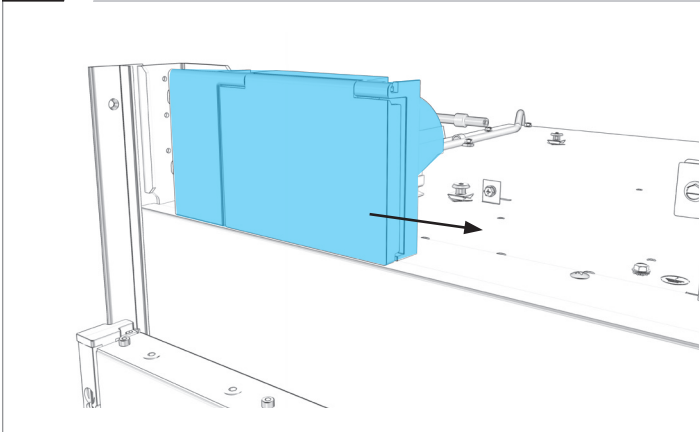
14 PULLING LEFT, REMOVE FACEPLATE.



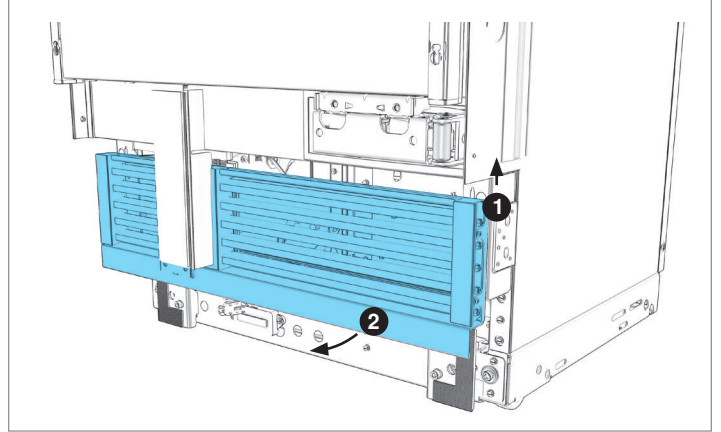
16 REMOVE FOUR AIR GRILLE SCREWS.



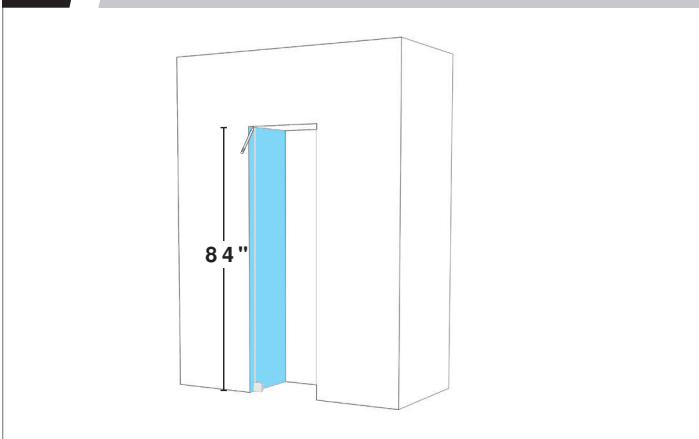
15 PULL HOUSING FORCEFULLY RIGHT, REMOVE.



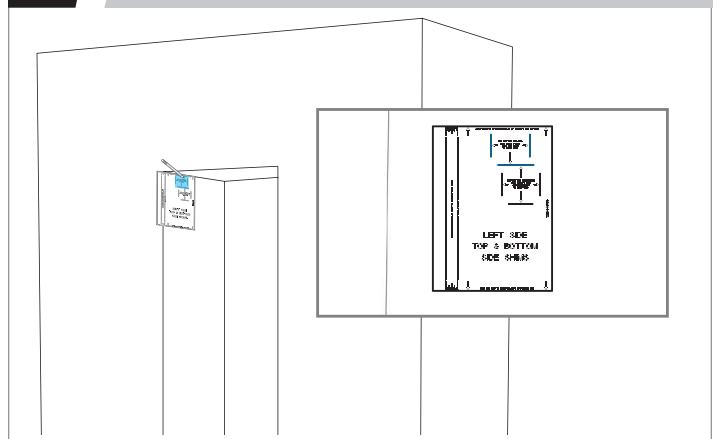
17 REMOVE BASE AIR GRILLE.



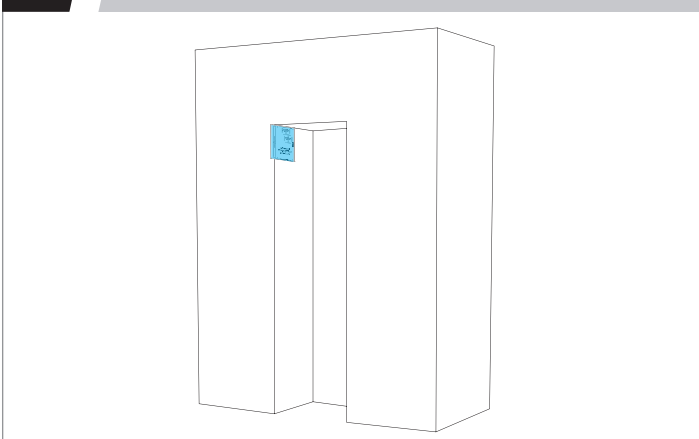
2.1 MEASURE AND MARK LEFT PANEL LINE.



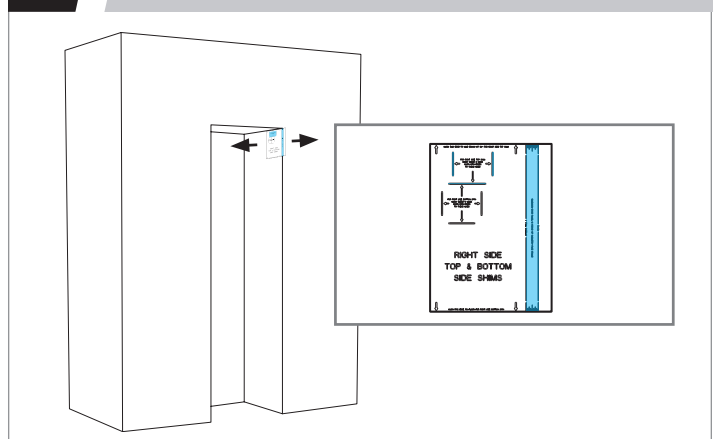
2.4 MARK TOP SHIM ALIGNMENT LINES.



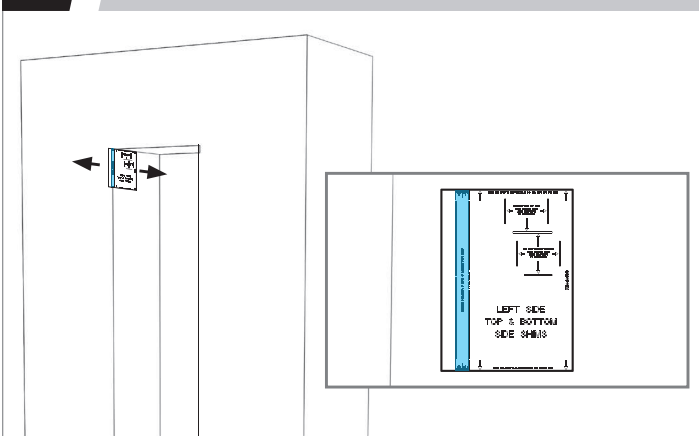
2.2 POSITION TEMPLATE ON LEFT PANEL.



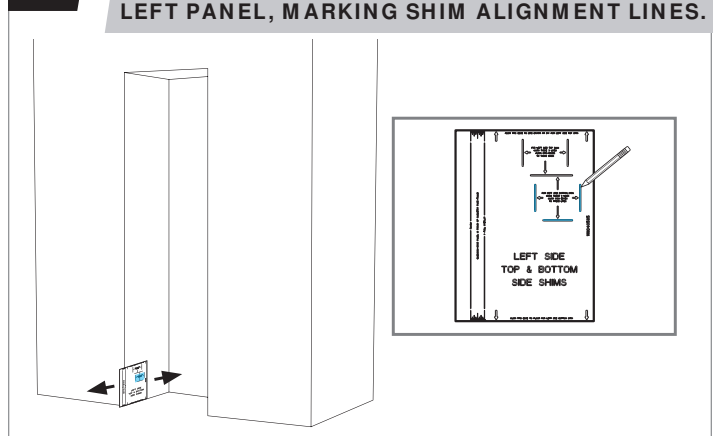
2.5 REPEAT 2.1 2.4 ON RIGHT PANEL.



2.3 ALIGN DOOR STYLE LINE WITH CABINET FACE.



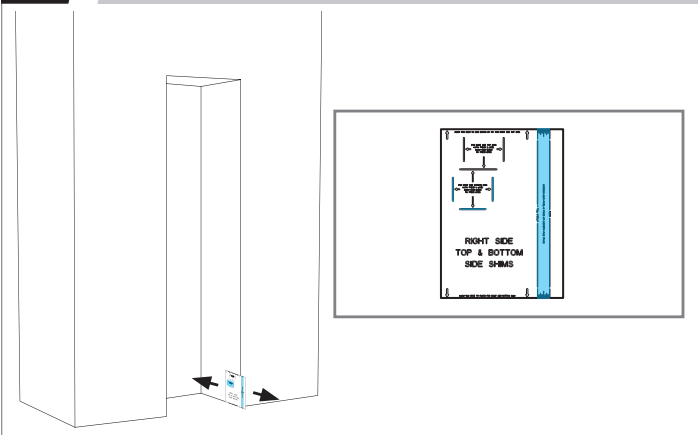
2.6 POSITION AND ALIGN TEMPLATE ON BOTTOM LEFT PANEL, MARKING SHIM ALIGNMENT LINES.



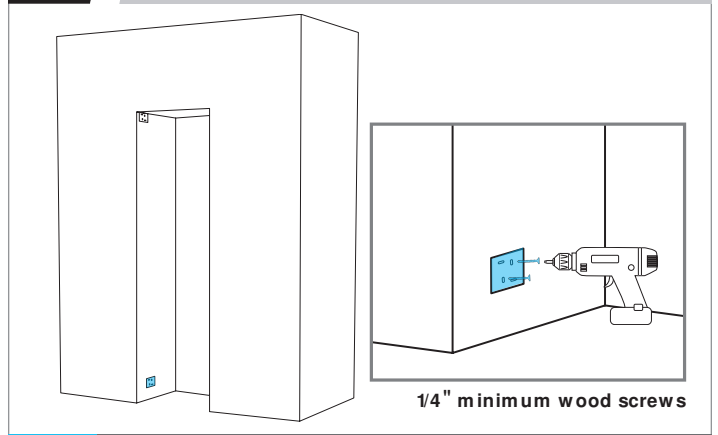
2

FURNITURE PREPARATION

2.7 REPEAT STEP 2.6 ON RIGHT PANEL.

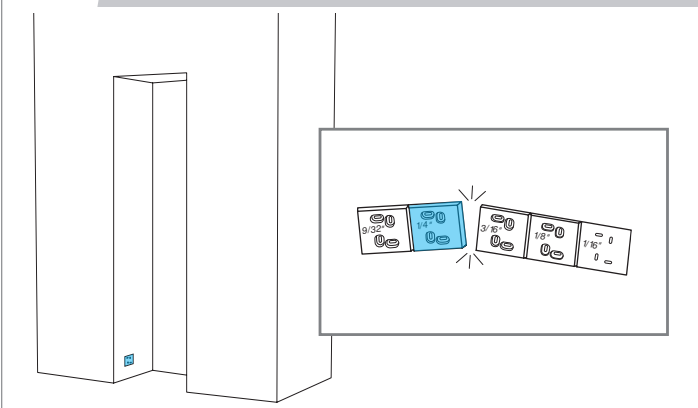


2.10 SECURE SHIMS TO SIDE PANELS.



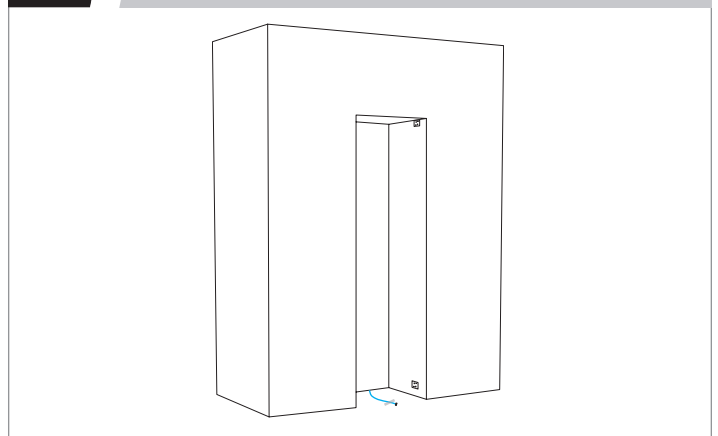
★ USE A MINIMUM OF TWO WOOD SCREWS.

2.8 CRACK APART ROTTER SHIMS, ADHERE TO FOOTPRINTS.

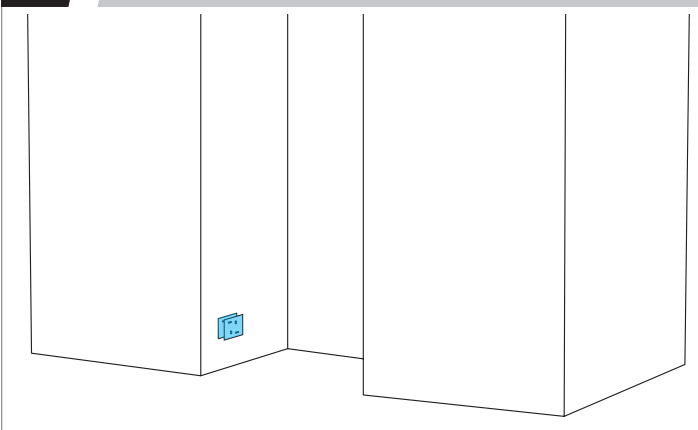


★ USE AT LEAST ONE 1/4\"/>

2.11 TAPE WATER LINE TO FLOOR.

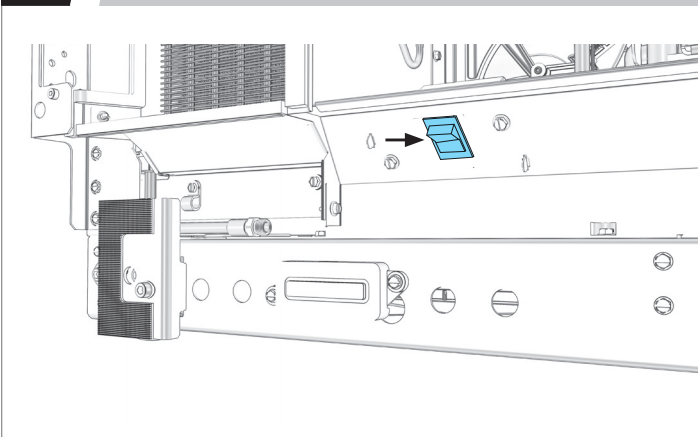


2.9 STACK ADDITIONAL SHIMS AS NEEDED.



★ SEE ADDITIONAL SHIM EQUATION IN APPENDIX.

3.1 SWITCH COLUMN OFF.



BEFORE MOVING COLUMN, READ WARNING.

⚠ WARNING



Tip Over Hazard

Refrigerator is top heavy and tips easily when not completely installed.

Keep doors taped closed until refrigerator is completely installed.

Use two or more people to move and install refrigerator.

Failure to do so can result in death or serious injury.

BEFORE PLUGGING IN COLUMN, READ WARNING.

⚠ WARNING



Electrical Shock Hazard

Plug into a grounded 3 prong outlet.

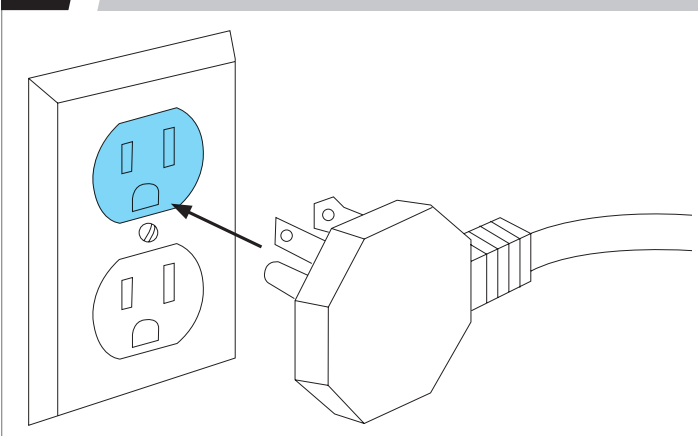
Do not remove ground prong.

Do not use an adapter.

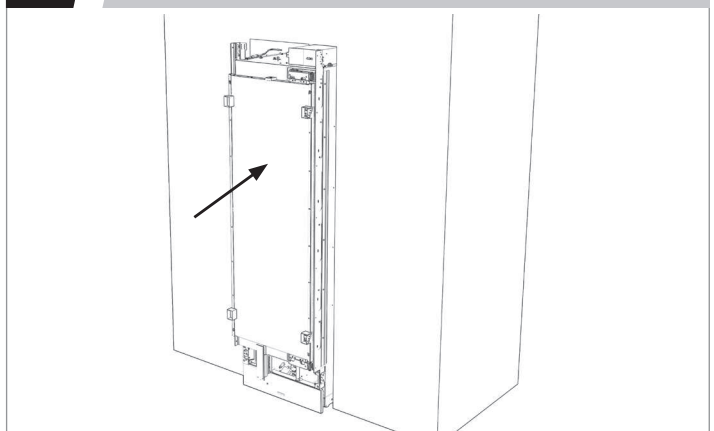
Do not use an extension cord.

Failure to follow these instructions can result in death, fire, or electrical shock.

3.2 PLUG INTO GROUNDED 3 PRONG OUTLET.

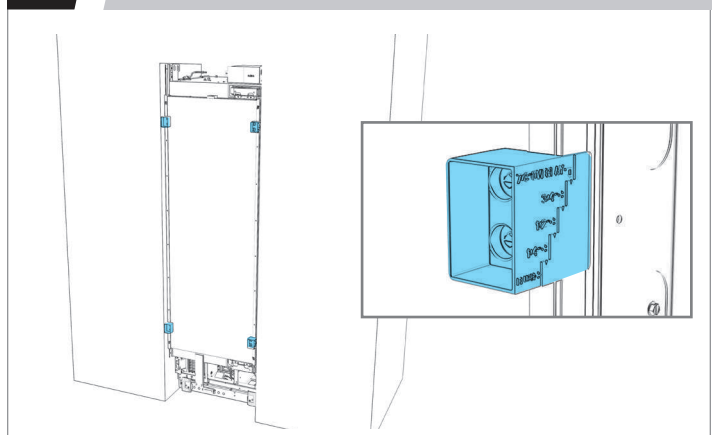


3.3 MOVE COLUMN INTO THE CUTOUT.



DO NOT DAMAGE THE WATER LINE.

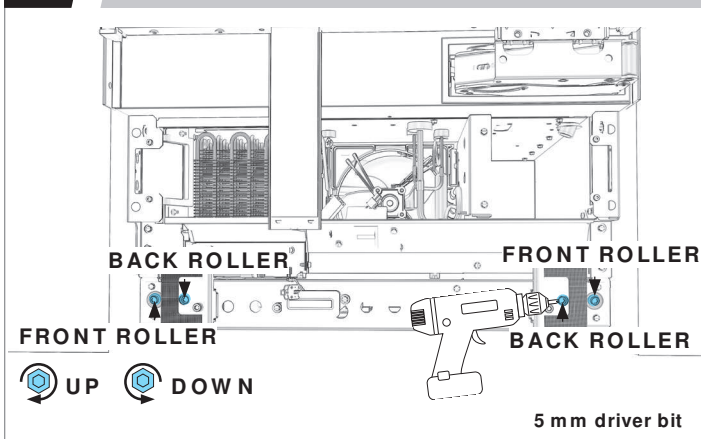
3.4 USE DEPTH GAUGES TO ALIGN.



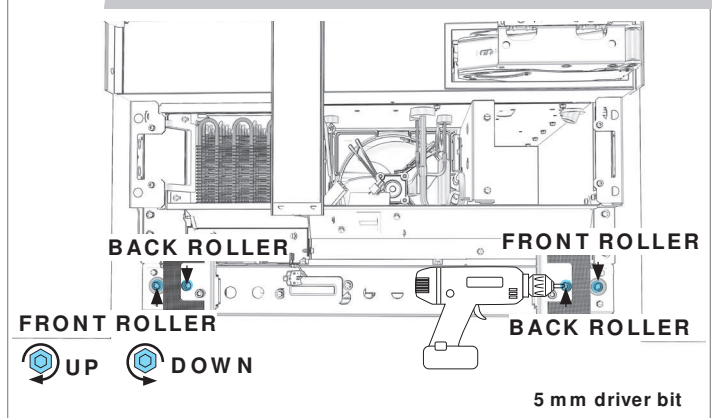
3

COLUMN INSTALLATION

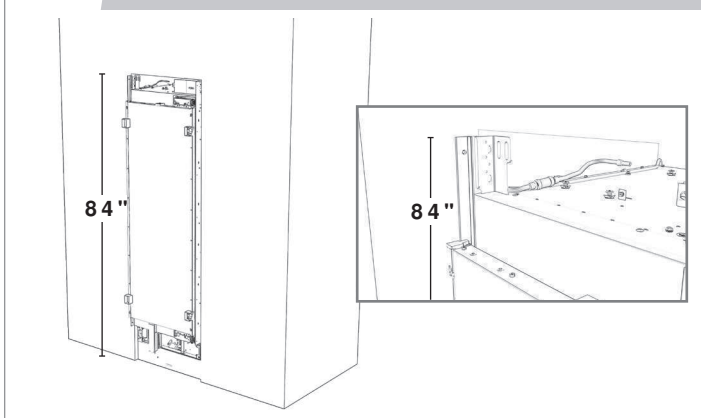
3.5 EXTEND LEVELING ROLLERS INDIVIDUALLY.



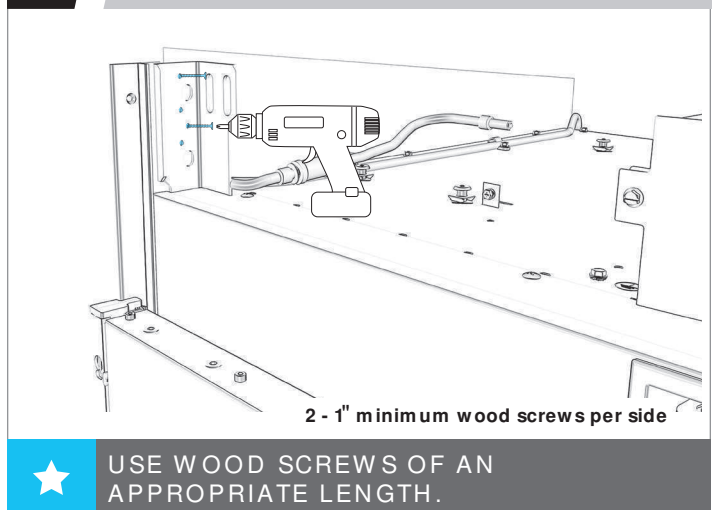
3.8 EXTEND LEVELING ROLLERS INDIVIDUALLY. UNTIL DEPTH GAUGES MATCH.



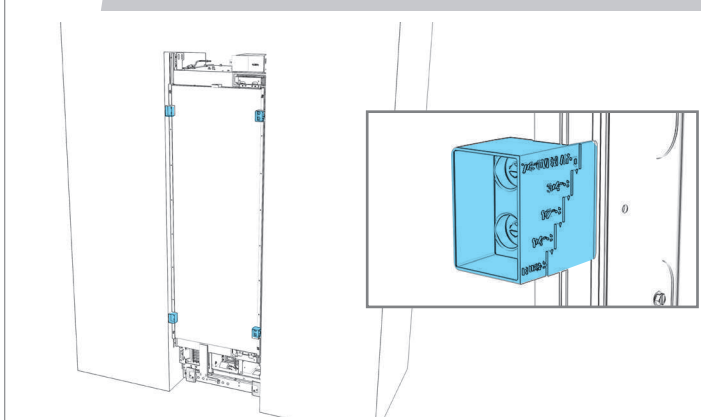
3.6 MAKE SURE INSTALLATION BRACKET ALIGNS WITH 84" LINE.



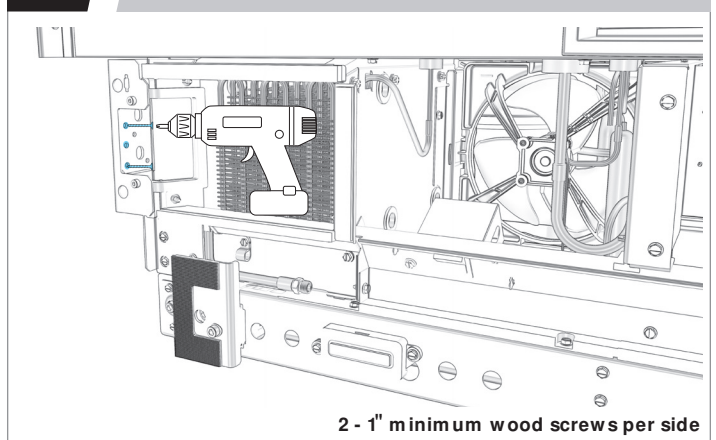
3.9 SECURE COLUMN TO EACH SIDE PANEL.



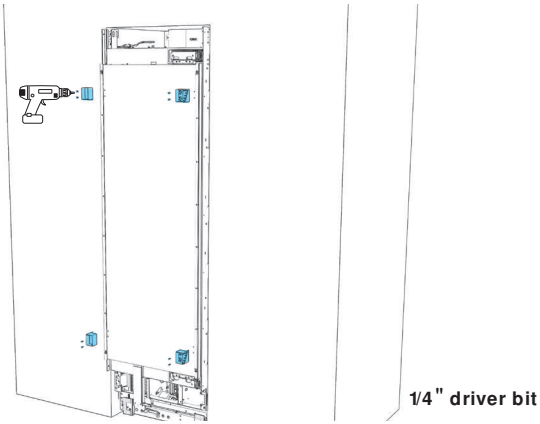
3.7 CHECK THAT DEPTH GAUGES INDICATE SAME DEPTH.



3.10 REPEAT ON BOTTOM BRACKET.

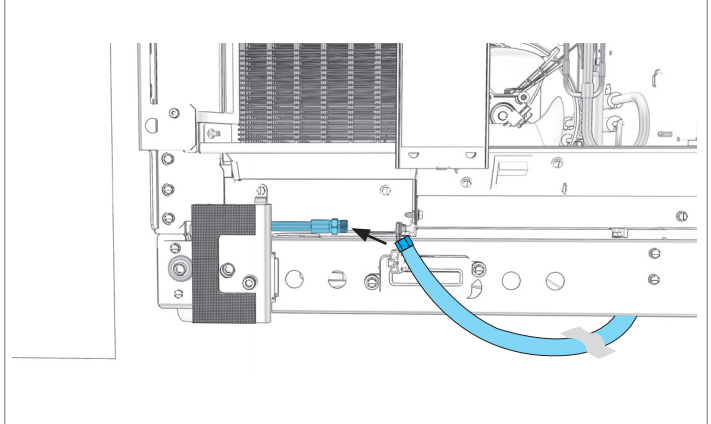


3.11 REMOVE AND DISCARD DEPTH GAUGES.



IMPORTANT: MAKE SURE THAT THE COLUMN IS OFF BEFORE MOVING TO THE NEXT STEP AND CONNECTING THE WATER LINE.

3.12 CONNECT THE WATER SUPPLY LINE.

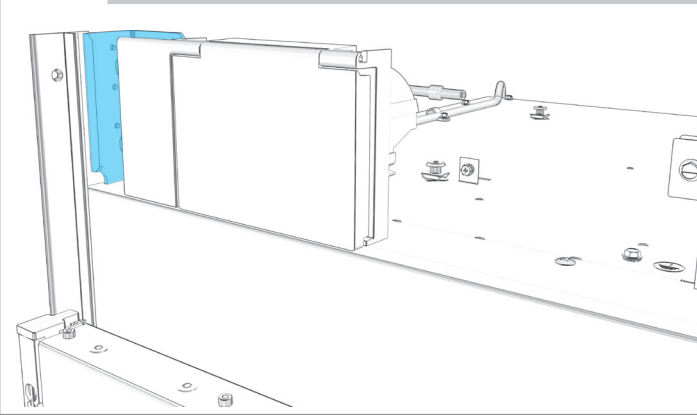


THE DOOR MAY BE OPENED FROM THIS POINT FORWARD.

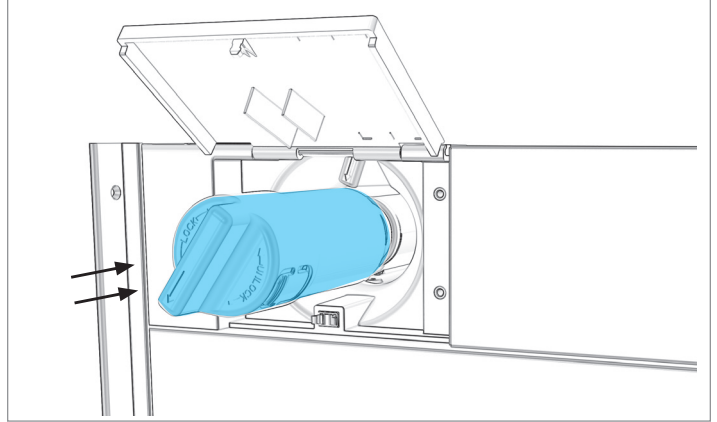
4

TOE KICK COLUMN PREPARATION

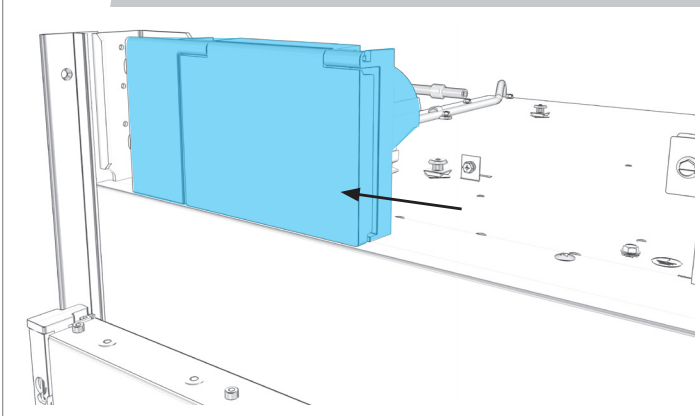
4.1 ALIGN FILTER HOUSING BETWEEN BRACKETS ON TOP OF COLUMN.



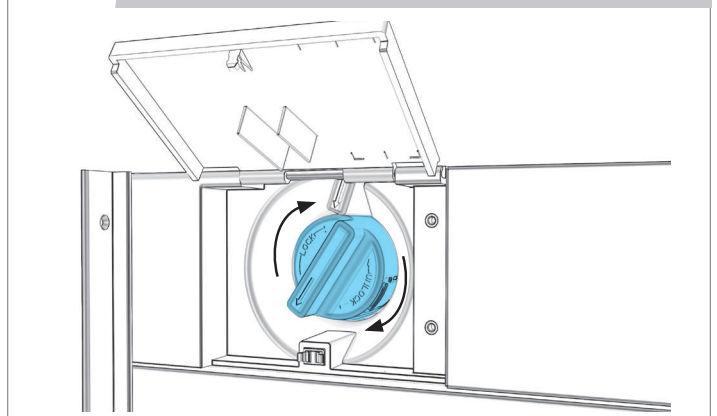
4.3 INSERT WATER FILTER UNTIL SEATED.



4.2 REINSTALL HOUSING, PUSHING LEFT WITH FORCE.

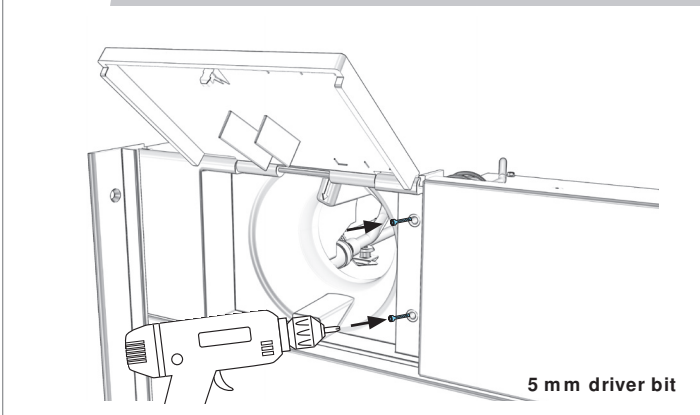


4.4 ROTATE FILTER CLOCKWISE TO ALIGN ARROWS.



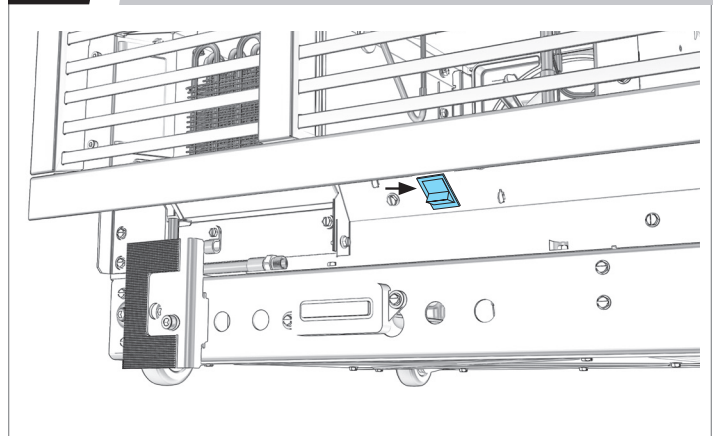
4.5

REPLACE TOP COVER AND SECURE WITH TWO SCREWS.



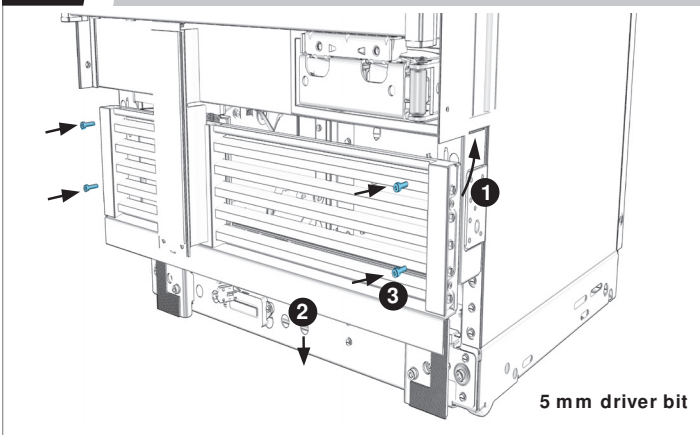
4.7

TURN POWER ON.



4.6

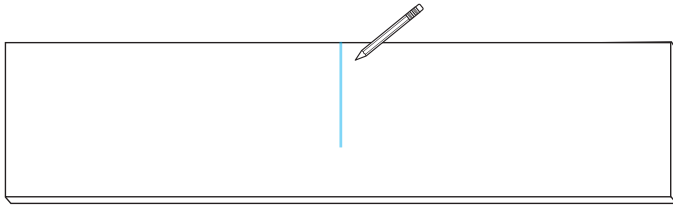
REINSTALL AIR GRILLE.



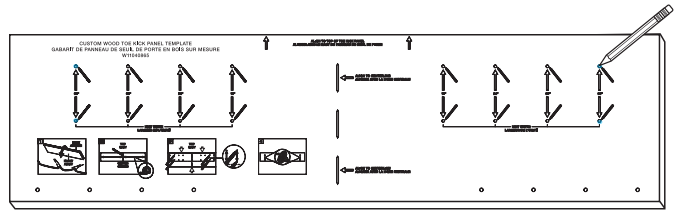
5

TOE KICK CUSTOM WOOD PREPARATION

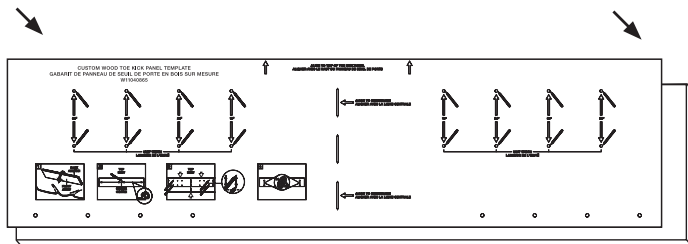
5.1 MEASURE AND MARK CENTER LINE OF TOE KICK.



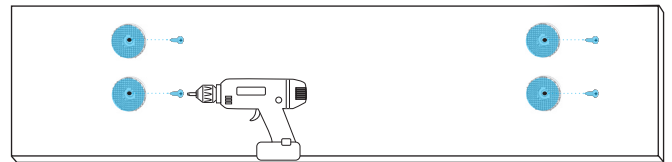
5.4 MARK GRIPPING PAD LOCATIONS.



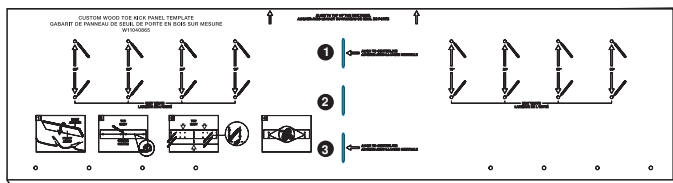
5.2 ALIGN TEMPLATE.



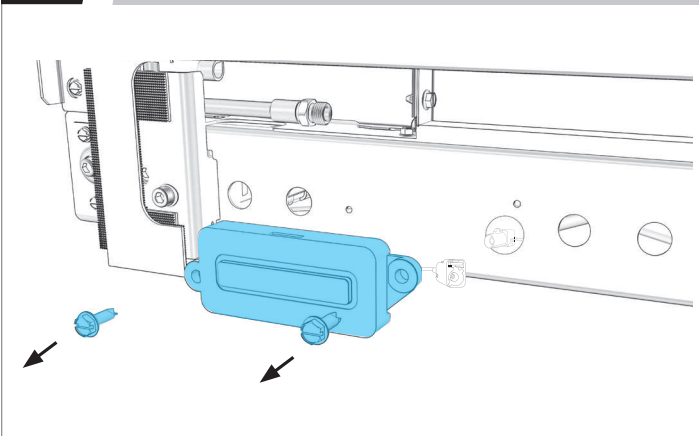
5.5 ADHERE GRIPPING PADS TO POINTS.



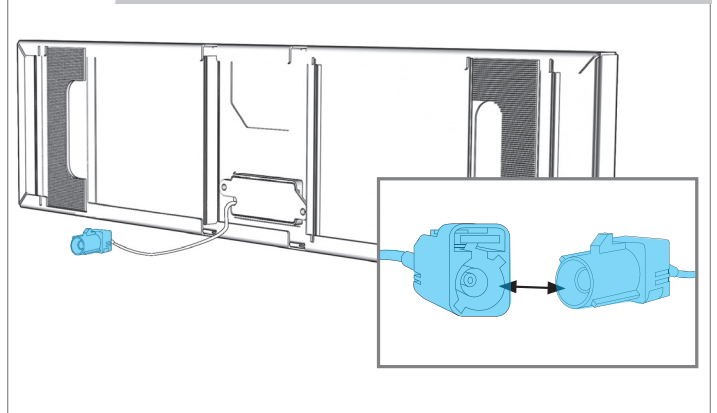
5.3 ALIGN TEMPLATE WITH CENTER LINE.



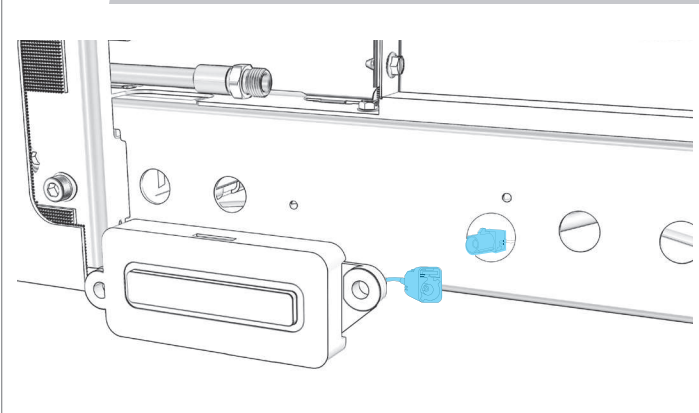
6.1 UNSCREW AND DISCARD WIFI HARNESS.



6.3 ATTACH BLUE TOE KICK AND COLUMN WIRES.



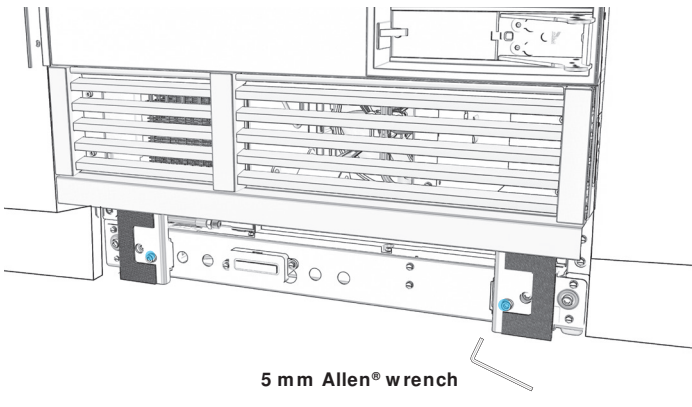
6.2 DISCONNECT BLUE WIFI WIRE FROM HARNESS.



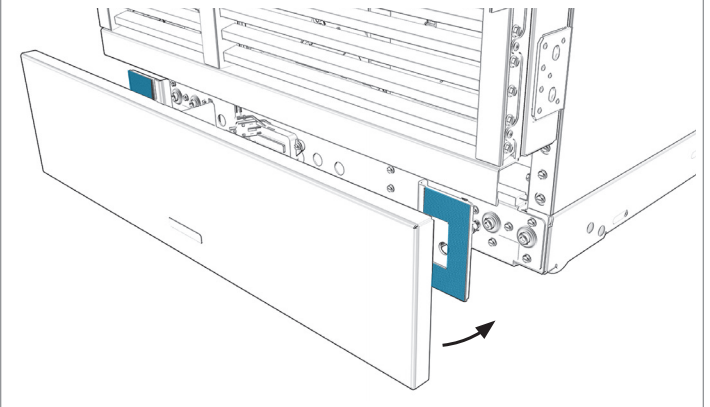
7

TOE KICK ALIGNMENT AND INSTALLATION

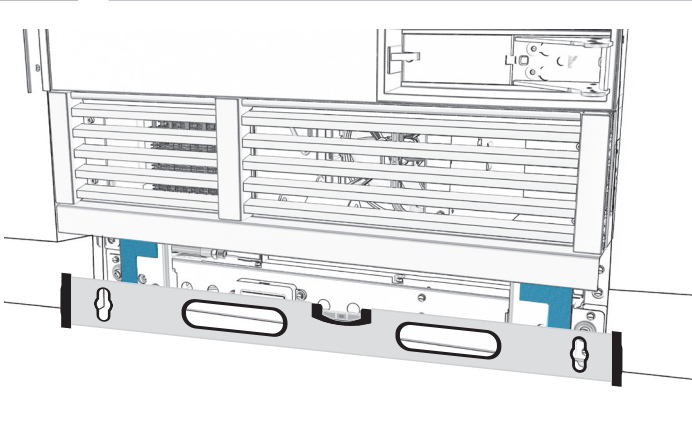
7.1 ALIGN TOE KICK BRACKETS WITH FURNITURE TOE KICK.



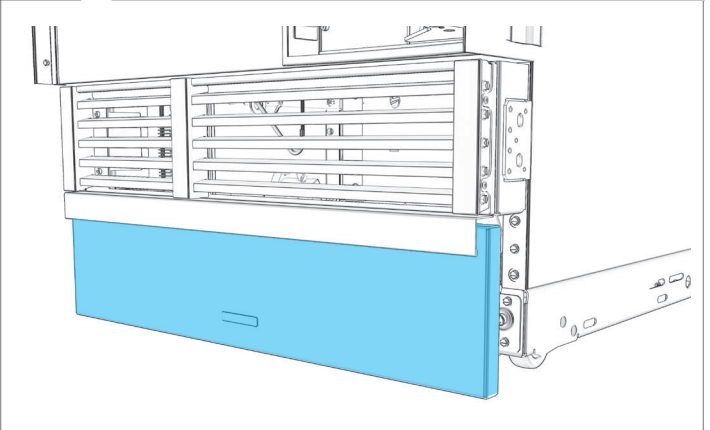
7.3 ALIGN TOE KICK GRIPPING PADS WITH BRACKETS.



7.2 CHECK THAT BRACKETS ARE IN PLANE.

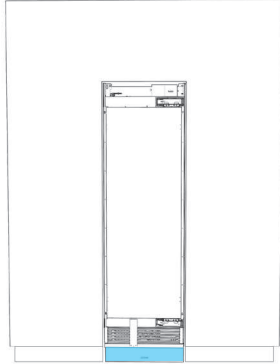


7.4 PRESS FIRMLY TO ATTACH.



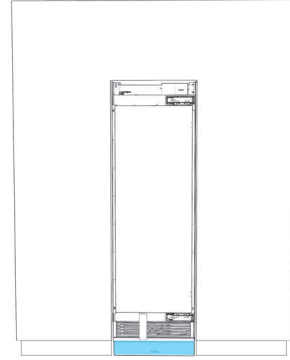
7.5

MEASURE OFFSET. IF UNEVEN, REMOVE
PANEL.



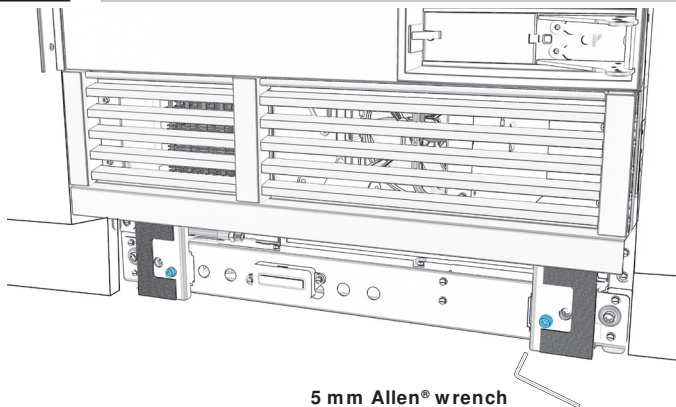
7.7

CONFIRM ALIGNMENT, READJUSTING IF
NECESSARY.



7.6

ADJUST BRACKETS TO ALIGN PANEL.



5 mm Allen® wrench

8

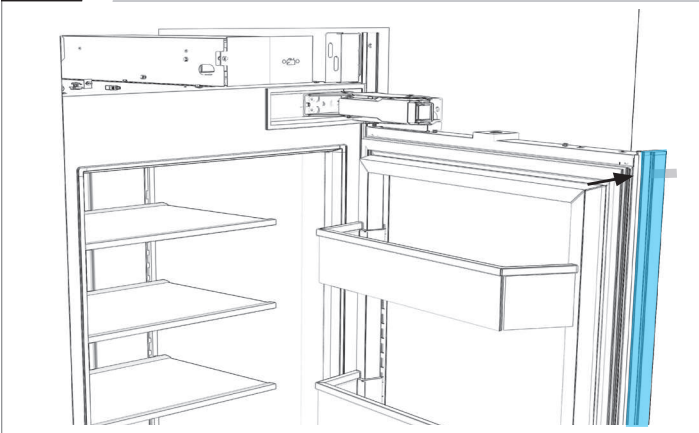
PANEL CUSTOM WOOD PREPARATION

! WARNING

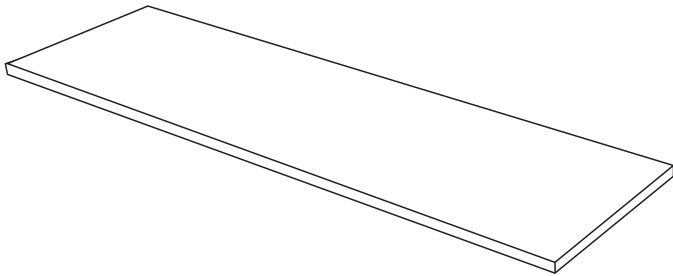
Excessive Weight Hazard

**Use two or more people to move and install panels.
Failure to do so can result in back or other injury.**

8.1 PULL TAPE TO POP OFF BRACKET TRIM.

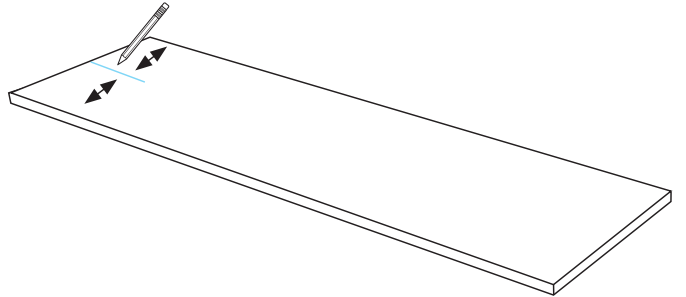


8.2 PLACE PANEL FACE DOWN.

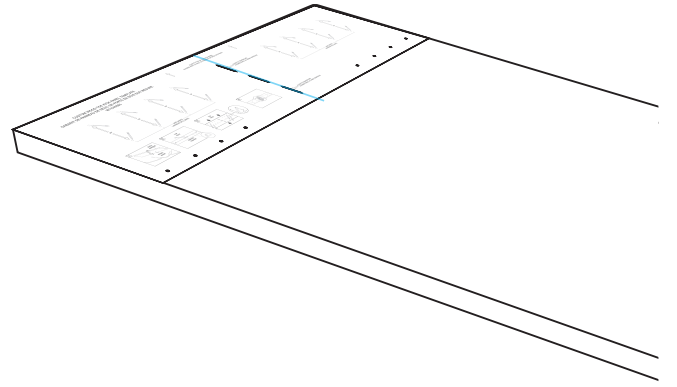


PLACE ON A FLAT, COVERED SURFACE.

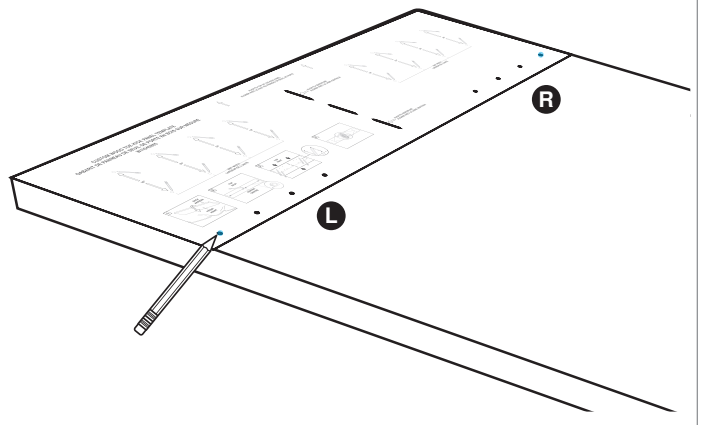
8.3 MEASURE AND MARK CENTER OF THE PANEL.



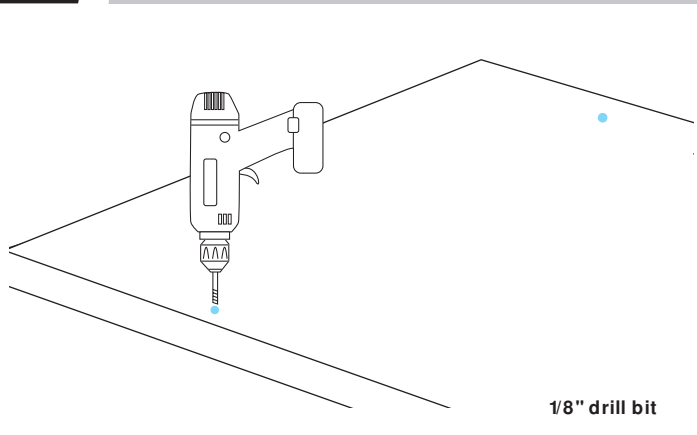
8.4 ALIGN CUSTOM WOOD PANEL TEMPLATE SLOTS WITH PANEL CENTERLINE.



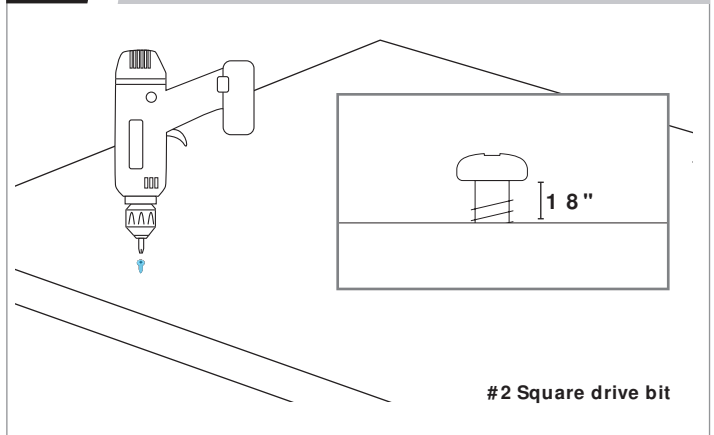
8.5 MARK LEFT AND RIGHT HOLES.



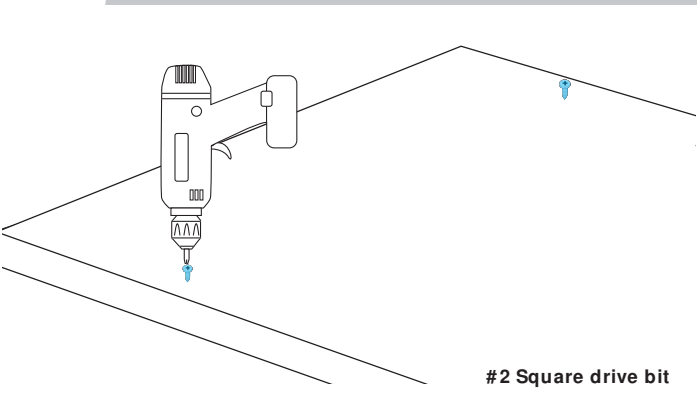
8.6 DRILL HOLES.



8.8 ENSURE SPACE OF 1 8" 3.18 MM .



8.7 DRIVE FASTENERS INTO PRE DRILLED LOCATIONS.



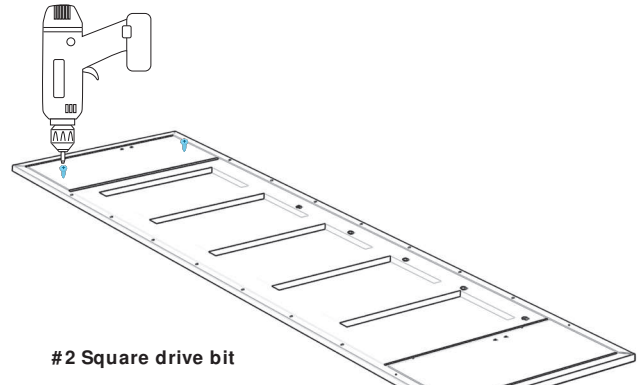
9

PANEL STAINLESS STEEL PREPARATION

9.1 PULL TAPE TO POP OFF BRACKET TRIMS.

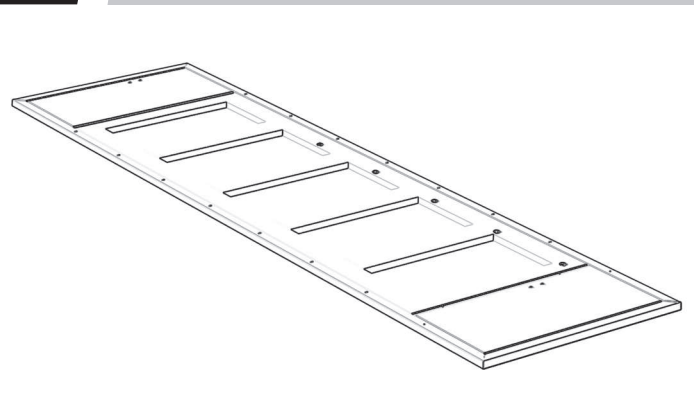


9.3 DRIVE FASTENERS INTO PRE DRILLED LOCATIONS.



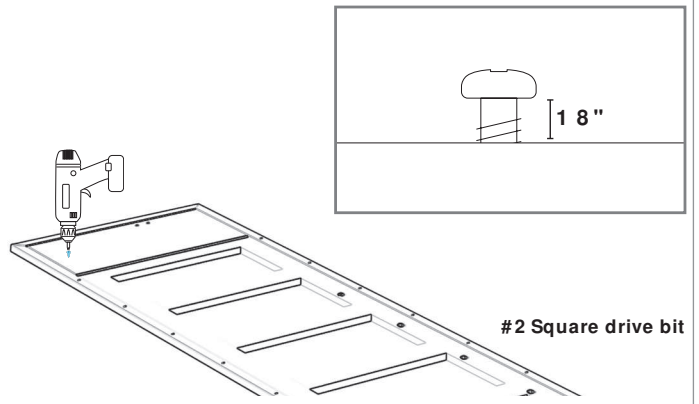
#2 Square drive bit

9.2 PLACE PANEL FACE DOWN.



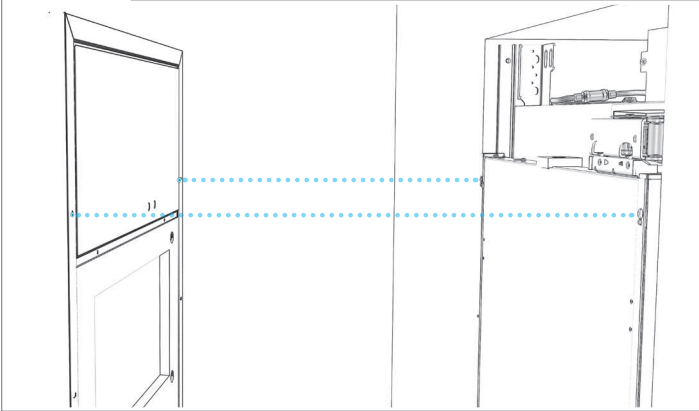
PLACE ON A FLAT, COVERED SURFACE.

9.4 ENSURE SPACE OF 1 8" 3.18 MM .

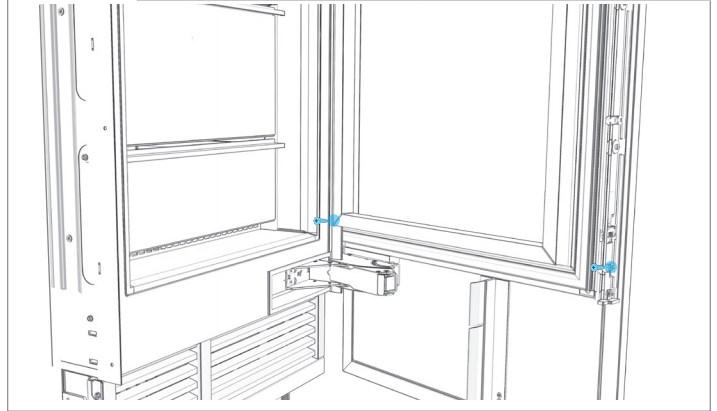


#2 Square drive bit

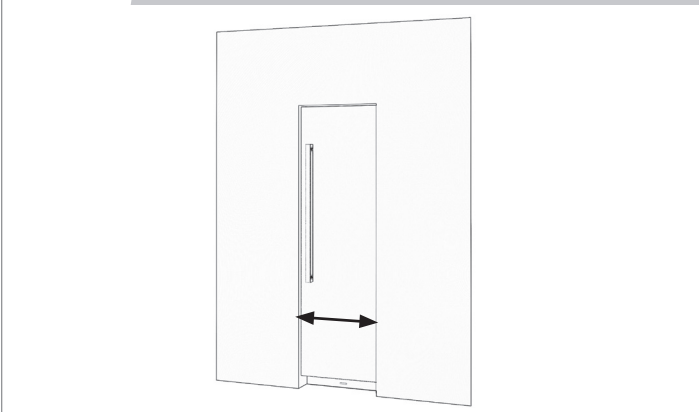
10.1 INSERT FASTENERS INTO TOP SLOTS OF DOOR ADJUSTMENT TRIMS.



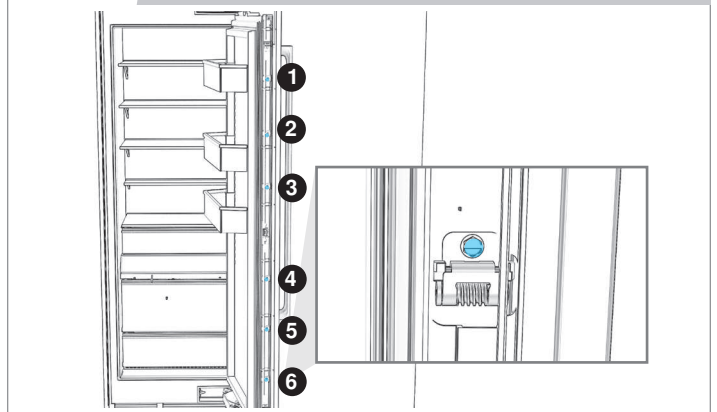
10.4 LOOSELY DRIVE IN TWO BOTTOM FASTENERS.



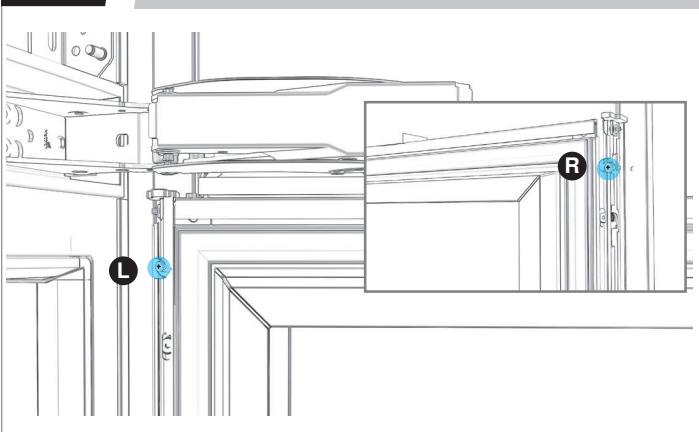
10.2 MANUALLY ADJUST POSITION OF DOOR PANEL.



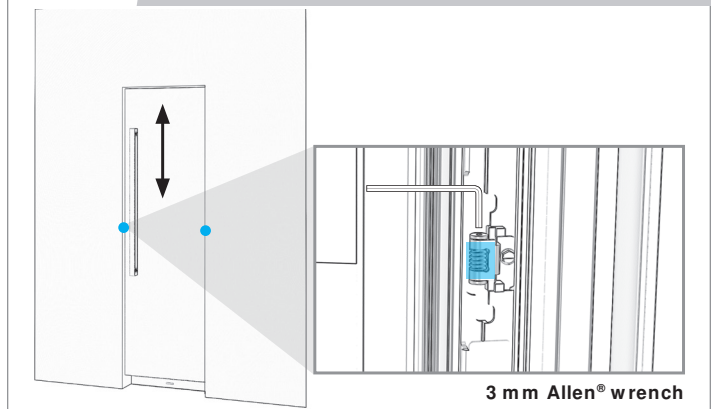
10.5 LOOSEN SIX ADJUSTMENT SCREWS PER SIDE.



10.3 TIGHTEN TOP TWO FASTENERS.



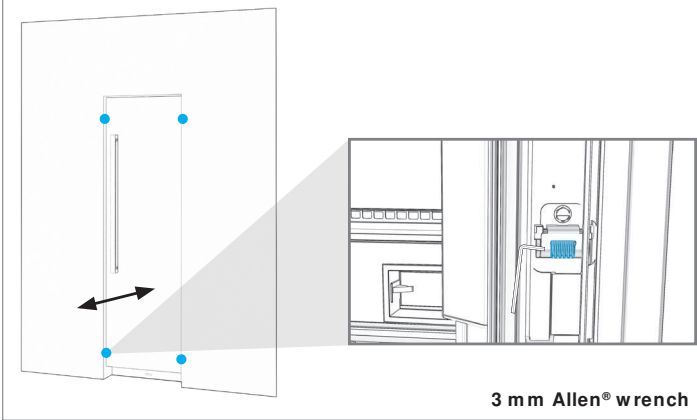
10.6 ADJUST DOOR PANEL HEIGHT UP AND DOWN.



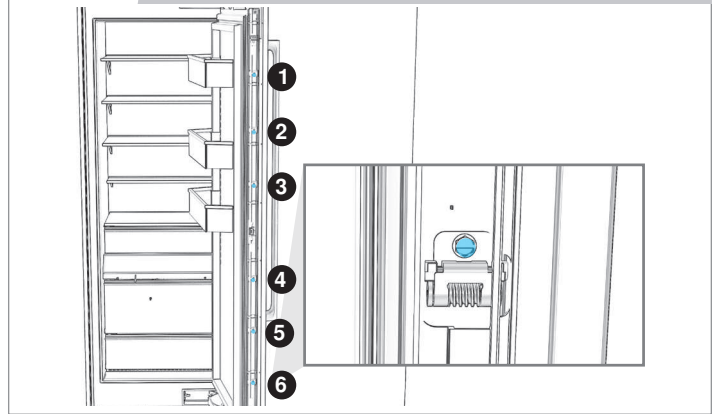
10

PANEL HANGING AND ADJUSTMENT

10.7 ADJUST DEPTH OF THE DOOR PANEL.



10.10 TIGHTLY SECURE SIX ADJUSTMENT SCREWS PER SIDE.



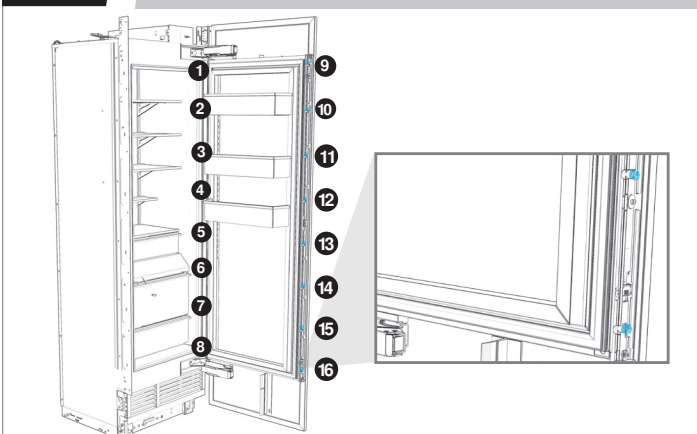
10.8 CHECK THAT DOOR PANEL IS IN PLANE WITH FURNITURE.



10.11 REINSTALL BRACKET TRIMS.



10.9 INSERT AND TIGHTEN ALL 16 FASTENERS.



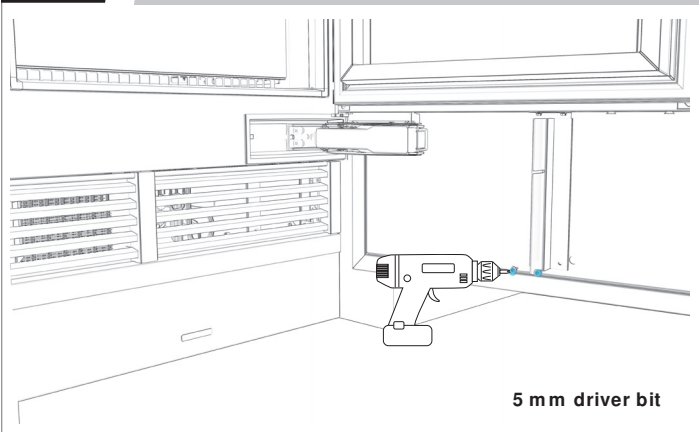
11.1 DRAW SIDE TRIM TIGHT ON EACH SIDE.



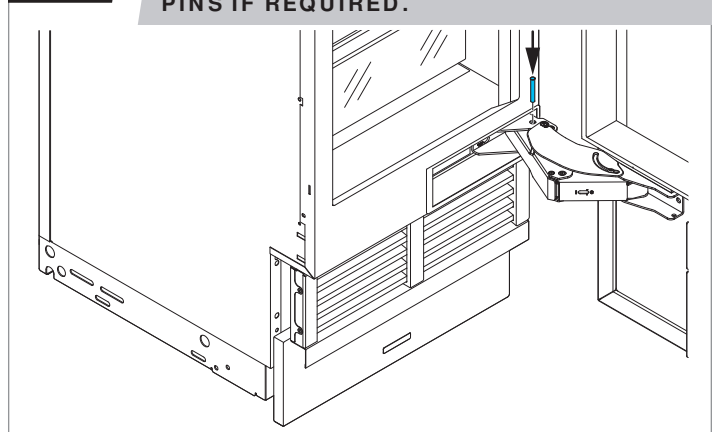
11.3 REMOVE FILM.



11.2 SECURE AIR DIVIDER TO DOOR PANEL.



11.4 INSTALL THE 90 DEGREE DOOR STOP PINS IF REQUIRED.



★ DOOR STOP PINS ARE PROVIDED IN THE LITERATURE BAG.

⚠ WARNING



Electrical Shock Hazard

Plug into a grounded 3 prong outlet.

Do not remove ground prong.

Do not use an adapter.

Do not use an extension cord.

Failure to follow these instructions can result in death, fire, or electrical shock.

FINAL CHECK

- All packaging removed from the residence
- Column plugged in, powered on and operating at peak performance
- Column leveled
- Panels aligned and rechecked after 20 minutes operation
- Water supply properly connected with no leaks
- Water filter installed (not applicable with reverse osmosis system)
- Water dispenser and/or ice maker working
- Any problems with installation or parts reported to JennAir Epicenter

OWNER WALKTHROUGH

If the owner is present, provide them with the User Guide. Guide the owner through:

- Control panel functions
- App and WiFi setup
- Discarding first few batches of ice
- Replacing the water filter
- Registering their column
- How to contact JennAir Epicenter through jennair.com or at 1-800-JENNAIR (536-6247)

APPENDIX

ADDITIONAL SHIM INFORMATION

FINDING TOP SHIM THICKNESS

1. Measure and record the distance between the top left and right shim footprints.
Record this measurement below as "A".

A = _____

2. Use the below table to find the B value for your model width.
Then subtract B from A to find C:

$$\frac{\quad}{A} - \frac{\quad}{B} = \frac{\quad}{C}$$

Model Width	B
18"	17 / " (45.1cm)
24"	23 / " (60.3 cm)
30"	29 / " (75.6 cm)
36"	35 / " (90.8 cm)

3. Divide C by 2 to find the required top shim thickness:

$$\frac{\quad}{C} / \frac{2}{\quad} = \frac{\quad}{\text{Thickness}}$$

Create the appropriate shim thickness by stacking a combination of the shims provided, if necessary.

APPENDIX

ADDITIONAL SHIM INFORMATION

FINDING BOTTOM SHIM THICKNESS

1. Measure and record the distance between the bottom left and right shim footprints. Record this measurement below as "D".

D = _____

2. Use the below table to find the E value for your model width. Then subtract E from D to find F:

$$\frac{\quad}{D} - \frac{\quad}{E} = \frac{\quad}{F}$$

Model Width	E
18"	17 / " (44.5 cm)
24"	23 / " (59.5 cm)
30"	29 / " (74.8 cm)
36"	35 / " (90 cm)

3. Divide F by 2 to find the required bottom shim thickness:

$$\frac{\quad}{F} / \frac{2}{\quad} = \frac{\quad}{\text{Thickness}}$$

Create the appropriate shim thickness by stacking a combination of the shims provided, if necessary.

Votre sécurité et celle des autres est très importante.

Nous donnons de nombreux messages de sécurité importants dans ce manuel et sur votre appareil ménager. Assurez-vous de toujours lire tous les messages de sécurité et de vous y conformer.



Voici le symbole d'alerte de sécurité.

Ce symbole d'alerte de sécurité vous signale les dangers potentiels de décès et de blessures graves à vous et à d'autres.

Tous les messages de sécurité suivront le symbole d'alerte de sécurité et le mot "DANGER" ou "AVERTISSEMENT". Ces mots signifient :

⚠ DANGER

Risque possible de décès ou de blessure grave si vous ne suivez pas immédiatement les instructions.

⚠ AVERTISSEMENT

Risque possible de décès ou de blessure grave si vous ne suivez pas les instructions.

Tous les messages de sécurité vous diront quel est le danger potentiel et vous disent comment réduire le risque de blessure et ce qui peut se produire en cas de non-respect des instructions.

IMPORTANTES INSTRUCTIONS DE SÉCURITÉ

AVERTISSEMENT : Pour réduire le risque d'incendie, de choc électrique ou de blessure dans le cadre de l'utilisation du réfrigérateur, suivre les consignes de base suivantes :

- Les enfants doivent être placés sous surveillance afin de s'assurer qu'ils ne jouent pas avec l'appareil.
- Cet appareil ne convient pas à une utilisation par des personnes (y compris des enfants) à capacités physiques, sensorielles ou mentales réduites, ou possédant un manque d'expérience et de connaissances, à moins qu'elles ne soient placées sous supervision ou qu'elles aient reçu des instructions concernant l'utilisation de l'appareil par une personne responsable de leur sécurité.
- Ne pas utiliser de rallonge.
- Si le cordon d'alimentation est endommagé, il doit être remplacé par le fabricant, son agent de réparation ou toute autre personne qualifiée afin d'éviter tout danger.
- Raccorder uniquement à une arrivée d'eau potable.
- Cet appareil est destiné à un usage domestique et à d'autres usages similaires comme : espace de cuisine pour personnel de boutiques, bureaux et autres environnements professionnels; résidences fermières et utilisation par les clients d'hôtels, de motels et d'autres types de résidences; environnements de type chambres d'hôtes; Banquets et autres utilisations non commerciales semblables.
- Ne pas entreposer de substances explosives comme des aérosols avec agent propulseur inflammable dans cet appareil.
- N'utilisez pas de pièces de rechange qui n'ont pas été recommandées par le fabricant (par exemple, des pièces fabriquées à la maison à l'aide d'une imprimante 3D).
- Garder les événements à l'intérieur de l'enceinte de l'appareil ou de la structure encastrée exempte d'obstacles.
- Ne pas utiliser des appareils mécaniques ou autres moyens pour accélérer le processus de dégivrage, autre que ceux recommandés par le fabricant.
- Ne pas endommager le circuit réfrigérant.
- Ne pas utiliser des appareils électriques à l'intérieur des compartiments d'aliments de l'appareil, à moins qu'ils soient de type recommandé par le fabricant.
- Un kit de machine à glaçons peut être ajouté à certains modèles. Voir l'étiquette de série à l'intérieur du compartiment alimentaire de l'appareil pour obtenir des informations sur le modèle du kit de machine à glaçons.
- Un technicien de service qualifié doit installer la conduite d'eau et la machine à glaçons. Voir les instructions d'installation fournies avec le kit de la machine à glaçons pour plus de détails.

CONSERVEZ CES INSTRUCTIONS

AVERTISSEMENT : Risque de coincement de l'enfant. Avant de jeter votre ancien réfrigérateur ou congélateur :

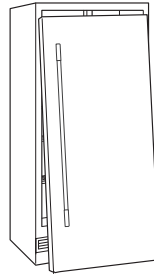
- Enlever les portes.
- Laisser les tablettes en place de sorte que les enfants ne puissent pas y pénétrer facilement.

⚠ AVERTISSEMENT

Risque de suffoquer

Enlever les portes de votre vieux réfrigérateur.

Le non-respect de cette instruction peut causer un décès ou des lésions cérébrales.



IMPORTANT : Le risque qu'un enfant puisse se retrouver coincé et suffoquer n'est pas chose du passé. Les réfrigérateurs jetés ou abandonnés restent dangereux, même s'ils ne restent à l'extérieur que pour "quelques jours seulement". Si l'ancien réfrigérateur doit être mis au rebut, suivre les instructions suivantes afin d'éviter les accidents.

Renseignements importants à propos de la mise au rebut des fluides réfrigérants :

Mettre le réfrigérateur au rebut conformément à la réglementation fédérale et locale. Les fluides réfrigérants doivent être évacués par un technicien certifié et agréé par l'EPA conformément aux procédures établies.

FACILE. RAPIDE. SÉCURITAIRE.

Grâce au tout premier réfrigérateur intégré en colonne JennAir®, nous avons complètement repensé le processus d'installation pour éliminer les problèmes que rencontre notre concurrence de moins bonne qualité. Voici quelques-unes des caractéristiques très attendues par les installateurs professionnels :

- Ajustement en 6 points du panneau dissimulé
Alignement facile et précis
- Cales du système Rotter ajustable sur place
Guident et gardent l'appareil en place
- Nivellement avant précis en 4 points
Sur de robustes roulettes qui peuvent facilement supporter le poids complet
- Façade en métal
Augmente la durabilité
- Panneau en acier inoxydable avec cœur en bois
Facile à préparer et à suspendre, ne requiert pas de perçage dans l'acier
- Zones utilitaires améliorées
Réduit les modifications pour remplacer un appareil intégré ou l'appareil désuet d'un compétiteur

Et grâce à votre aide, nous nous améliorons sans cesse.

Communiquer avec l'Epicenter de JennAir en passant par le site Web au jennair.com ou en composant le 1800 JENNAIR (536-6247) pour nous faire part de vos conseils et astuces d'installation ou pour consulter un expert qui connaît sur le bout des doigts le processus d'installation.

POURQUOI AIMONS NOUS LES INSTALLATEURS JENNAIR ?

PARCE QU'ILS SONT COMPLÈTEMENT PROFESSIONNELS ET PERFECTIONNISTES .

Tout ce qui compte, c'est une installation aussi parfaite que possible avec un ajustement au millimètre près. Une installation sans faille est très importante pour le fonctionnement, l'apparence et la durée de vie du produit, et c'est exactement ce que nos installateurs font tous les jours.

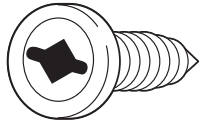
ILS FONT LEURS DEVOIRS. ET NOUS AIDENT À FAIRE LES NÔTRES.

Ces experts connaissent les produits JennAir® sur le bout de leurs doigts. Ils se forment de façon intensive pour l'installation des produits JennAir, apprenant les plus récentes techniques et les conseils des initiés pour pouvoir installer facilement nos appareils à la fine pointe de la technologie. Nous attribuons une grande valeur à leurs commentaires, c'est pourquoi nous les utilisons pour améliorer et perfectionner nos installations.

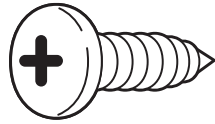
ILS PENSENT À TOUS LES DÉTAILS DE L'EXPÉRIENCE.

La base, c'est un dévouement hors du commun. L'expérience JennAir commence dès l'instant où un installateur apporte un réfrigérateur intégré en colonne chez un client. Maintenir le site propre, prendre un soin extrême des appareils et de la maison, ainsi que fournir une introduction inoubliable pour comprendre l'appareil sont tous des éléments du plan de match.

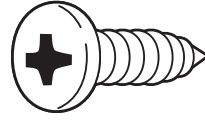
OUTILS ET PIÈCES INCLUS



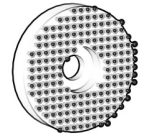
Vis à tête carrée no 2



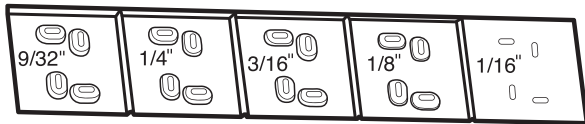
Vis à tête cruciforme
8-18 x 3/4 po



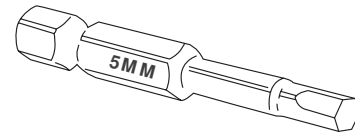
Vis 6-20 x 0,375 po



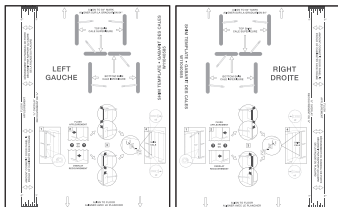
Coussins de prise



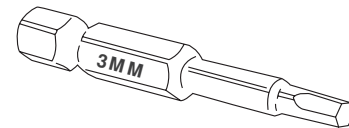
Quatre cales d'installation



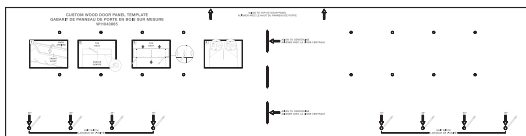
Embout de perceuse 5 mm



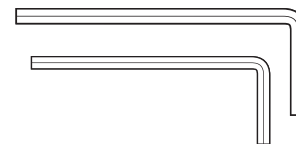
Gabarit d'installation des cales



Embout de perceuse 3 mm



Gabarit d'installation de la plinthe et du panneau de porte



Clé Allen[®] de 3 mm
Clé Allen[®] de 5 mm



LIRE ET OBSERVER LES INSTRUCTIONS D'INSTALLATION FOURNIES
AVEC CHACUN DES OUTILS MENTIONNÉS DANS LA LISTE.

OUTILS ET PIÈCES NON INCLUS

OUTILS

- Perceuse sans fil avec foret ou tournevis à percussion
- Ensemble de forets incluant des forets de 3/32 po et 1/8 po
- Deux clés à molette
- Embout de tournevis cruciforme no 2
- Tourne-écrou magnétique de 1/4 po
- Embout de perceuse carré no 2
- Niveau ou règle plate de 48 po ou plus
- Clés plates de 3/8 po et 1/2 po
- Ruban à mesurer
- Couteau utilitaire
- Ruban adhésif de masquage
- Chariot pour appareil ménager
- Adaptateur de perceuse à angle droit
- Rallonge pour perceuse de 6 po
- Assortiment de vis à bois à tête plate no 8 de 1 po, 1 1/2 po et 1 3/4 po de long

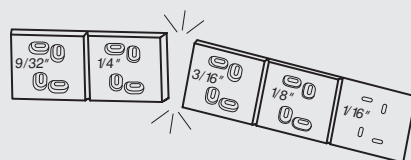
PIÈCES

- Tuyau d'entrée d'eau flexible approuvé par le code
- Panneaux de porte décoratifs personnalisés
 - Panneaux en acier inoxydable : à commander de JennAir
 - Panneaux de bois personnalisés : consulter un fabricant de meubles ou un menuisier qualifié
- Des attaches supplémentaires seront requises en fonction de la fabrication des meubles de cuisine

POURQUOI UTILISER LES CALES DU SYSTÈME ROTTER?

Cette procédure recommandée pourrait ne pas sembler familière aux installateurs, mais elle ajoute beaucoup de valeur au client comme à vous. Utiliser le système Rotter pour :

- Aider à positionner l'appareil sans rayer de surfaces
- Créer un dégagement précis de 1/8 po de chaque côté
- Toujours avoir à portée de la main des cales conçues pour chacun des côtés
- Garder l'appareil stable dans l'ouverture pour toute la durée de vie utile
- Éliminer les problèmes d'alignement pour votre client.



DIMENSIONS

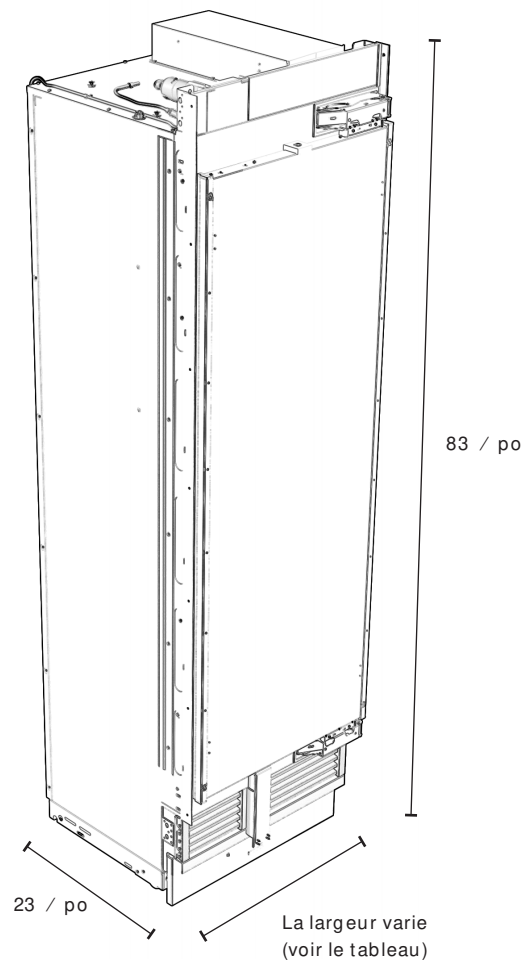
PRODUIT

APERÇU DU PRODUIT SANS PANNEAU

Largeur	Consulter le tableau de largeur du produit ci-dessous
Hauteur	83 / po (212 cm)
Profondeur	23 / po (60,6 cm)
Hauteur de porte sans panneau	62 / po (157,9 cm)
Hauteur de la plinthe	3 / po (9,1 cm)
Profondeur de la plinthe	3 / po-4 / po (8,3 cm -12,4 cm)

LARGEUR DU PRODUIT

Modèle	Largeur
18 po JBZFR18IGX JBZFL18IGX ALOVE18FLC	17 / po (45,1 cm)
24 po JBRFR24IGX JBRFL24IGX JBZFR24IGX JBZFL24IGX ALOVE24FLC ALOVE24RRC	23 / po (60,3 cm)
30 po JBRFR30IGX JBRFL30IGX JBZFR30IGX JBZFL30IGX ALOVE30RRC	29 / po (75,6 cm)
36 po JBRFR36IGX JBRFL36IGX	35 / po (90,8 cm)



DIMENSIONS

ACCESSOIRES

PANNEAU EN ACIER INOXYDABLE

Hauteur	80 po (203,2 cm)
Épaisseur	13/16 po (2,1 cm)

PANNEAU PERSONNALISÉ

Épaisseur	3/4 po (1,9 cm) maximum
Poids	60 lbs (27,2 kg) maximum
Hauteur habituelle	80 po (203,2 cm)

PLINTHE PERSONNALISÉE

Hauteur	3 / po (9,1 cm)
Épaisseur	3/16 po-3/4 po (0,47 cm - 1,9 cm)

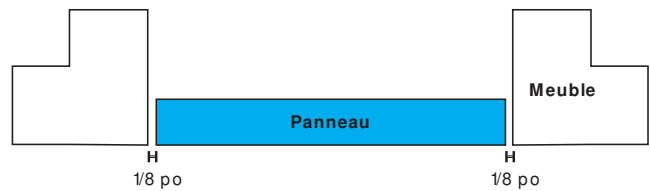
STYLE DE PORTE

LARGEUR DU PANNEAU PERSONNALISÉ

⚠ MISE EN GARDE

Risque de pincement
L'installation de panneaux de porte avec un espacement de moins de 3/8 po (0,95 cm) entre le panneau de porte et l'armoire adjacente augmente le risque de pincement.

MODÈLE	LARGEUR EN AFFLEUREMENT
18 po	17-3/4 po (45,1 cm)
24 po	23-3/4 po (60,3 cm)
30 po	29-3/4 po (75,6 cm)
36 po	35-3/4 po (90,8 cm)

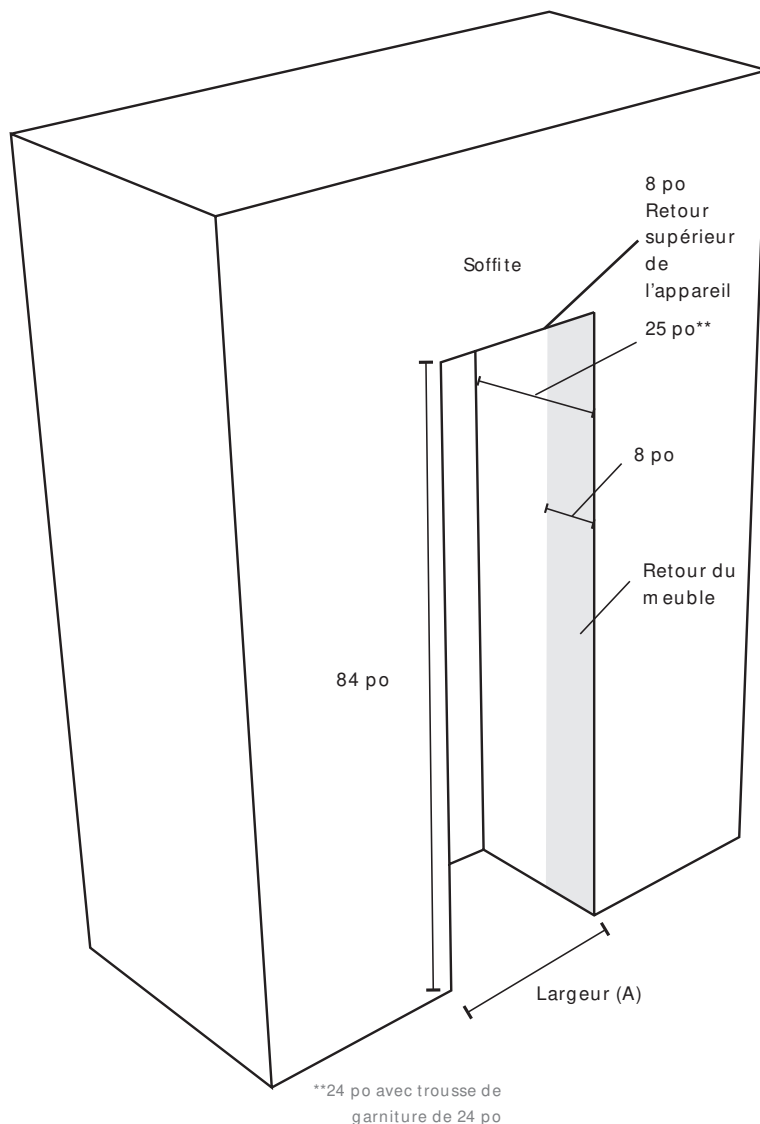


DIMENSIONS

OUVERTURE

LARGEUR DE L'OUVERTURE

Modèle	Largeur (A)
18 po JBZFR18IGX JBZFL18IGX ALOVE18FLC	18 po (45,7 cm)
24 po JBRFR24IGX JBRFL24IGX JBZFR24IGX JBZFL24IGX ALOVE24FLC ALOVE24RRC	24 po (61 cm)
30 po JBRFR30IGX JBRFL30IGX JBZFR30IGX JBZFL30IGX ALOVE30RRC	30 po (76,2 cm)
36 po JBRFR36IGX JBRFL36IGX	36 po (91,4 cm)



DIMENSIONS

OUVERTURE

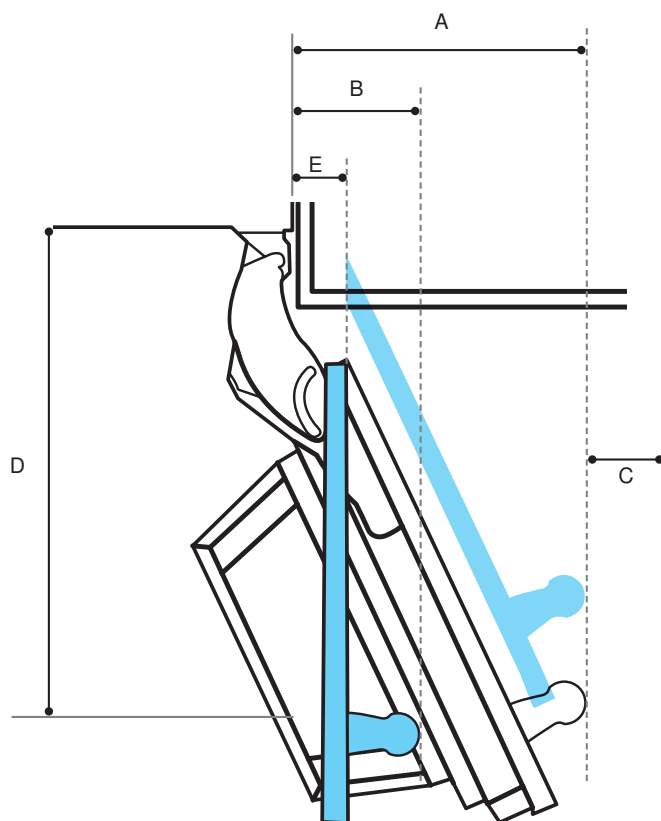
⚠ MISE EN GARDE

Risque de pincement
L'installation de panneaux de porte avec un espacement de moins de 3/8 po (0,95 cm) entre le panneau de porte et l'armoire adjacente augmente le risque de pincement.

EXIGENCES POUR L'OUVERTURE DE LA PORTE

Modèle	Ouverture de porte à 115° (A)	Ouverture de porte à 90° (B)	Espace avec le mur (C)	Profondeur d'ouverture de porte (D)	Ouverture de l'avant du panneau de 3/4 po avec porte à 90° (E)
18 po	10 / po (26,7 cm)	5 po (12,7 cm)	2 / po (6,4 cm)	44 / po (113 cm)	1 / po (3,05 cm) minimum
24 po	13 po (33 cm)	5 po (12,7 cm)	2 / po (6,4 cm)	50 / po (128,3 cm)	1 / po (3,05 cm) minimum
30 po	15 / po (39,4 cm)	5 po (12,7 cm)	2 / po (6,4 cm)	56 / po (143 cm)	1 / po (3,05 cm) minimum
36 po	18 po (45,7 cm)	5 po (12,7 cm)	2 / po (6,4 cm)	62 / po (158,6 cm)	1 / po (3,05 cm) minimum

Les dimensions donnent 2 / po d'espace entre la poignée en acier inoxydable et le mur pour éviter les pincements. Si un panneau de bois personnalisé est utilisé, ne pas oublier la profondeur de la poignée pour conserver un espace de 2 / po.



PRÉPARATION DE L'EMPLACEMENT

1. VÉRIFIER LE MEUBLE

- Mesurer pour s'assurer que toutes les dimensions de l'ouverture sont bonnes. (Voir la page précédente.)
- Panneau latéral : Contreplaqué de 3/4 po (1,9 cm) d'épaisseur
IMPORTANT : Ne doit pas être fabriqué en fibres pressées comme le MDF.
- Hauteur du soffite (si présent) : 84 po (213,4 cm)

⚠ AVERTISSEMENT



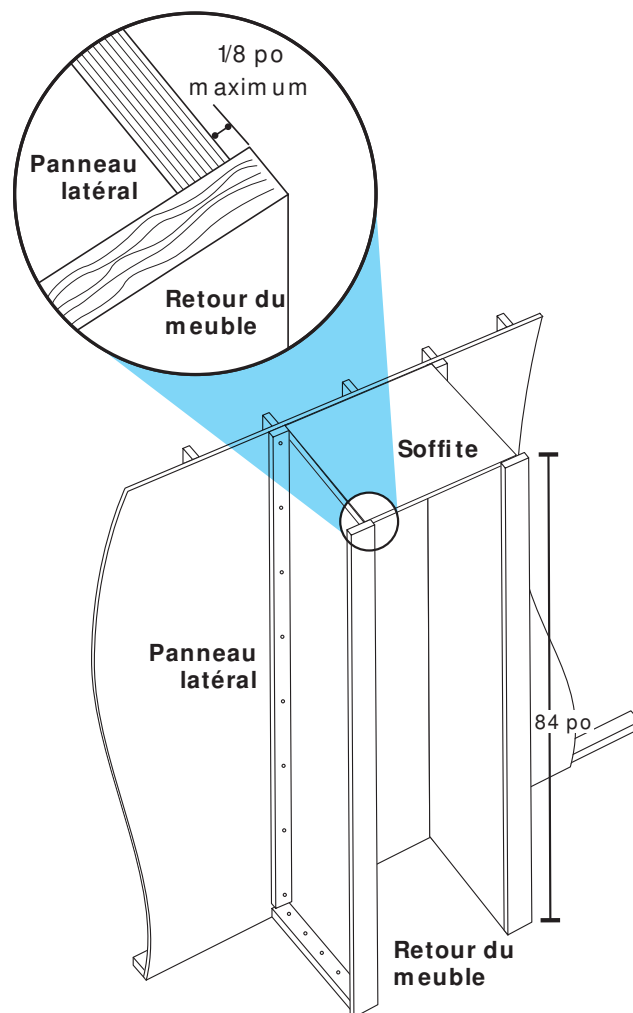
Risque d'explosion

Garder les matériaux et les vapeurs inflammables, telle que l'essence, loin du réfrigérateur.

Le non-respect de cette instruction peut causer un décès, une explosion ou un incendie.

2. VÉRIFIER LE LIEU DE L'INSTALLATION

- Loin de tout four, radiateur ou autre source de chaleur.
- La température ne doit pas descendre sous 55 °F (13 °C).
- Le plancher doit pouvoir supporter plus de 600 lb [272 kg], les panneaux de porte et le contenu.
- Plancher de la pièce d'aplomb.
- Avant du meuble d'aplomb.



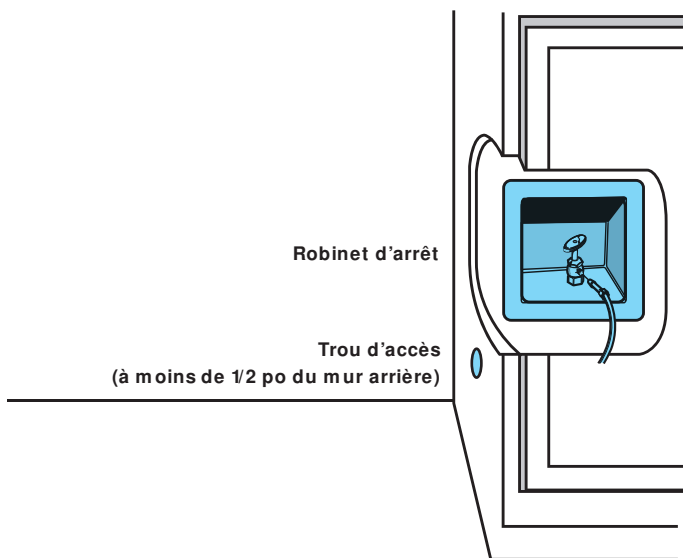
PRÉPARATION DE L'EMPLACEMENT

3. VÉRIFIER L'ARRIVÉE D'EAU

- L'arrivée d'eau est conforme avec les codes locaux de plomberie.
- Le robinet d'arrêt est situé dans l'armoire du bas, comme indiqué, ou dans un espace facile d'accès.
- Le trou d'accès à travers l'armoire se trouve à moins de 1/2 po (1,3 cm) du mur arrière.
- N'installer de tuyau supplémentaire que si la température reste au-dessus du point de congélation. Vérifier qu'il n'y a pas de fuite.
- Ne pas utiliser de robinet d'arrêt de type à percer de 3/16 po (4,76 mm). Demander au marchand de réfrigérateurs une trousse de robinet d'arrêt à étrier conforme avec les codes locaux de plomberie.
- Si la pression d'eau au système de filtration par osmose inverse est inférieure à 40-60 lb/po (276-414 kPa) :
 - Vérifier que le filtre à sédiment n'est pas bloqué. Remplacer le filtre si nécessaire.
 - Laisser le réservoir se remplir après une utilisation intense.
 - Enlever la cartouche de filtre à eau. Aucune dérivation de filtre n'est nécessaire.

SPÉCIFICATIONS DE L'ALIMENTATION EN EAU

Pression d'eau	30-120 lb/po (207-827 kPa)
Pression d'eau au système d'osmose inverse	40-60 lb/po (276-414 kPa) minimum
Excédent de canalisation d'eau pour le raccordement	30 po (76,2 cm)
Alimentation	Tuyau en cuivre, à tresse d'acier inoxydable ou PEX d'un diamètre extérieur de 1/4 po



POUR TOUTE QUESTION AU SUJET DE L'ALIMENTATION EN EAU, FAIRE APPEL À UN PLOMBIER QU'ALIFIÉ À GRÉÉ.

PRÉPARATION DE L'EMPLACEMENT

⚠ AVERTISSEMENT



Risque de choc électrique

Brancher sur une prise à 3 alvéoles reliée à la terre.

Ne pas enlever la broche de liaison à la terre.

Ne pas utiliser un adaptateur.

Ne pas utiliser un câble de rallonge.

Le non-respect de ces instructions peut causer un décès, un incendie ou un choc électrique.

4. VÉRIFIER L'ÉLECTRICITÉ

- Le réfrigérateur intégré en colonne doit être branché sur un circuit séparé. La prise de courant ne doit pas pouvoir être éteinte par un interrupteur.
- Ne pas utiliser de rallonge.
- Ne pas utiliser une prise protégée par un disjoncteur différentiel.
- Ne pas utiliser une prise protégée par un disjoncteur différentiel.

Avant de déplacer votre réfrigérateur dans son emplacement définitif, il est important de vous assurer que vous disposez du bon raccordement électrique.

Si le cordon d'alimentation est endommagé, il doit être remplacé par le fabricant ou son agent de service ou une personne de qualification similaire. N'utilisez pas de cordon présentant des fissures ou des dommages dus à l'abrasion sur toute sa longueur ou à l'extrémité de la fiche ou du connecteur.

Méthode de mise à la terre recommandée

Une alimentation électrique de 115 V, 60 Hz, CA uniquement 15 A ou 20 A avec fusible et mise à la terre est requise. L'ampérage maximum pour une colonne est de 3,9 A. Il est recommandé de prévoir un circuit séparé desservant uniquement votre réfrigérateur et les accessoires approuvés. Utilisez une prise qui ne peut pas être éteinte par un interrupteur. N'utilisez pas de rallonge. **IMPORTANT** : Si ce produit est connecté à une prise protégée par GFCI (Ground Fault Circuit Interrupter), un déclenchement intempestif de l'alimentation électrique peut se produire, entraînant une perte de refroidissement. La qualité et la saveur des aliments peuvent être affectées. En cas de déclenchement intempestif et si l'état des aliments semble mauvais, jetez les aliments.

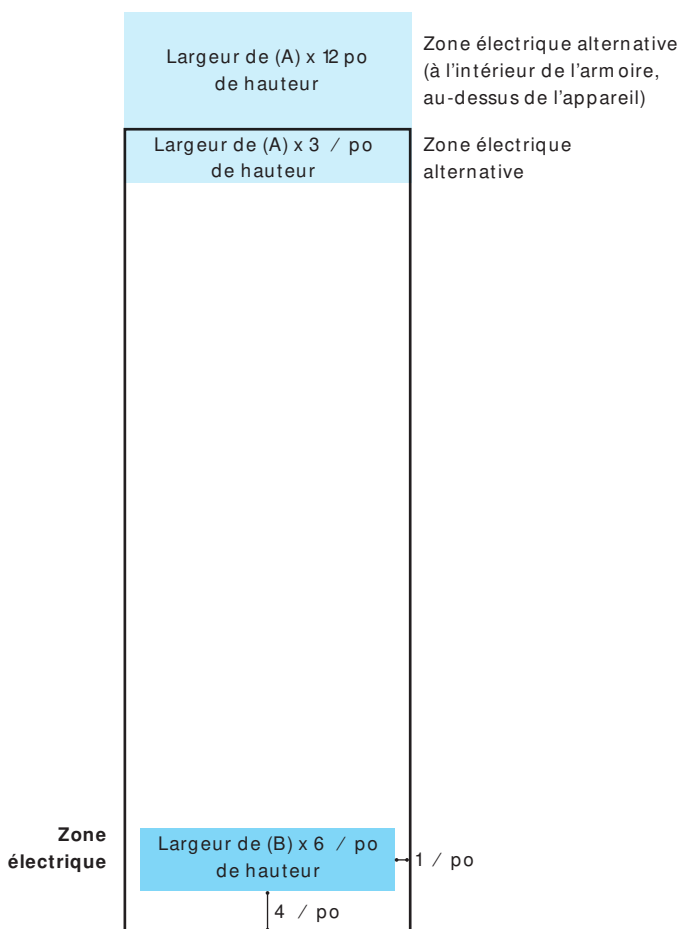
REMARQUE : Avant d'effectuer tout type d'installation ou de nettoyage, mettez l'interrupteur d'alimentation principal sur OFF ou débranchez l'alimentation au niveau du disjoncteur situé derrière la plinthe inférieure. Lorsque vous avez terminé, allumez l'interrupteur d'alimentation principal ou rebranchez l'alimentation au boîtier du disjoncteur. Remettez ensuite la commande au réglage souhaité.

? POUR TOUTE QUESTION AU SUJET DE L'ALIMENTATION ÉLECTRIQUE, FAIRE APPEL À UN ÉLECTRICIEN QU'ALIFIÉ AGRÉÉ.

PRÉPARATION DE L'EMPLACEMENT

SPÉCIFICATIONS ÉLECTRIQUES

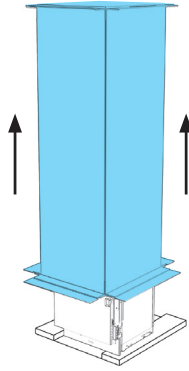
Largeur du produit/ largeur de la zone électrique alternative (A)	Largeur de la zone électrique (B)
18 po (45,7 cm)	14 / po (36,8 cm)
24 po (61cm)	20 / po (52 cm)
30 po (76,2 cm)	26 / po (67,3 cm)
36 po (91,4 cm)	32 / po (82,6 cm)



5. VÉRIFICATION AVANT L'INSTALLATION

- Vérifier le style de porte choisi par le client.
- Enlever tous les éléments d'installation du tiroir pour spécialités.
- Marque le style de porte choisi sur les gabarits et les gabarits de profondeur de porte à l'aide d'un marqueur indélébile.
- Vérifier que les mesures diagonales de l'ouverture correspondent.
- Consulter le document de conception pour vérifier les dimensions de la plinthe et du panneau, ainsi que les ouvertures et chevauchements.
- Le cordon d'alimentation a une longueur de 9 pi (274,32 cm).

1.1 RETIRER L'APPAREIL DE LA BOÎTE, JETER CARTON.

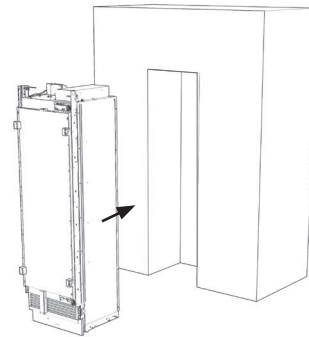


★ ENLEVER LA TROUSSE D'INSTALLATION DU TIROIR À SPÉCIALITÉ PENDANT QUE L'APPAREIL EST ENCORE SUR LES PATINS.

Importants renseignements à savoir au sujet des tablettes et des couvercles en verre :

Ne pas nettoyer les tablettes ou couvercles en verre avec de l'eau tiède quand ils sont froids. Les tablettes et les couvercles peuvent se briser s'ils sont exposés à des changements soudains de température ou à un impact tel que coup brusque. Le verre trempé est conçu pour éclater en d'innombrables pièces minuscules. Ceci est normal. Les tablettes et les couvercles en verre sont lourds. Les saisir à deux mains lors de leur dépose afin d'éviter de les faire tomber.

1.2 DÉPLACER L'APPAREIL DEVANT L'OUVERTURE.



★ DÉPLACER L'APPAREIL À DEUX PERSONNES. NE PAS OUVRIR LA PORTE AVANT QUE L'APPAREIL SOIT SÉCURISÉ.

AVANT DE DÉPLACER L'APPAREIL, LIRE TOUS LES AVERTISSEMENTS.

⚠ AVERTISSEMENT



Risque de basculement

Le réfrigérateur est lourd au sommet et bascule facilement lorsqu'il n'est pas complètement installé.

Garder les portes fermées avec un ruban adhésif jusqu'à l'installation complète du réfrigérateur.

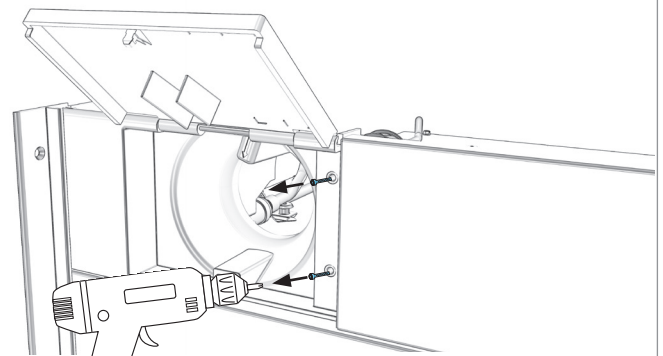
Utiliser deux ou plus de personnes pour déplacer et installer le réfrigérateur.

Le non-respect de ces instructions peut causer un décès ou une blessure grave.

Déplacement de votre réfrigérateur :

Votre réfrigérateur est lourd. Lors du déplacement de votre réfrigérateur pour le nettoyage ou un entretien ou réparation, veiller à recouvrir le plancher avec du carton ou un panneau de fibres dures pour éviter qu'il ne subisse tout dommage. Toujours tirer le réfrigérateur tout droit lors de son déplacement. Ne pas incliner le réfrigérateur d'un côté ou de l'autre ni le "faire marcher" en essayant de le déplacer car le plancher pourrait être endommagé.

1.3 ENLEVER LES DEUX VIS DU FILTRE À EAU.

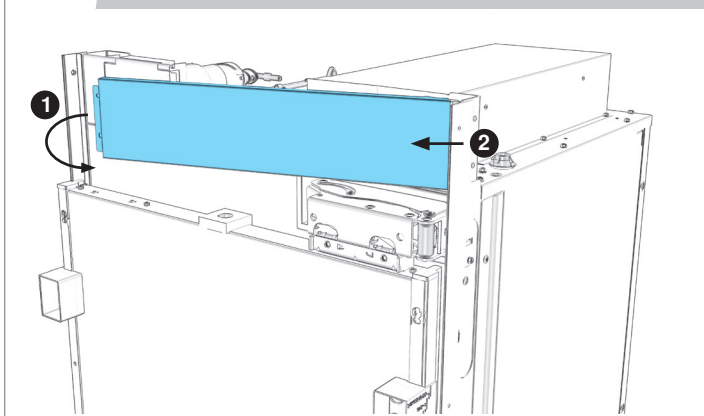


Embout de tournevis de 5 mm

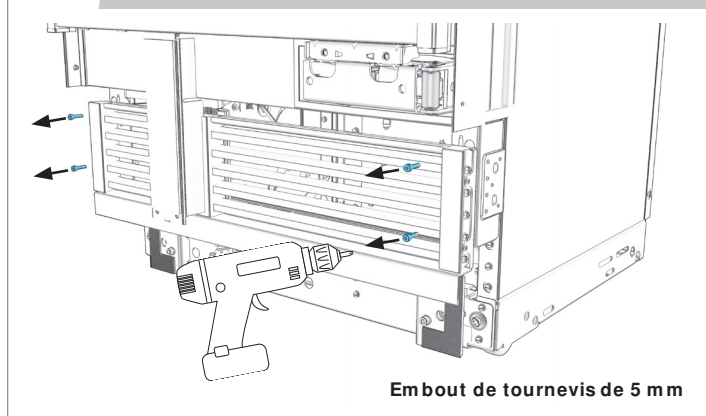
1

PRÉPARATION DE L'APPAREIL

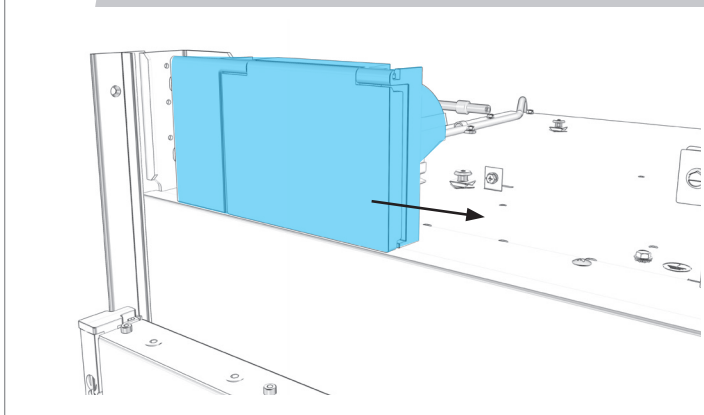
14 ENLEVER LA FAÇADE EN TIRANT VERS LA GAUCHE.



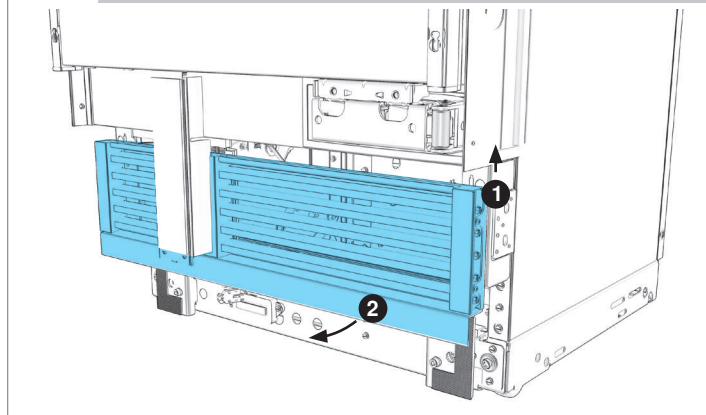
16 RETIRER LES QUATRE VIS DE LA GRILLE DE VENTILATION.



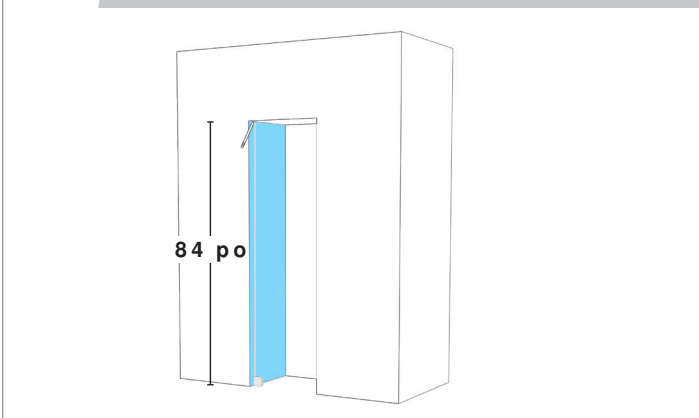
15 TIRER AVEC FORCE LE LOGEMENT VERS LA DROITE POUR L'ENLEVER.



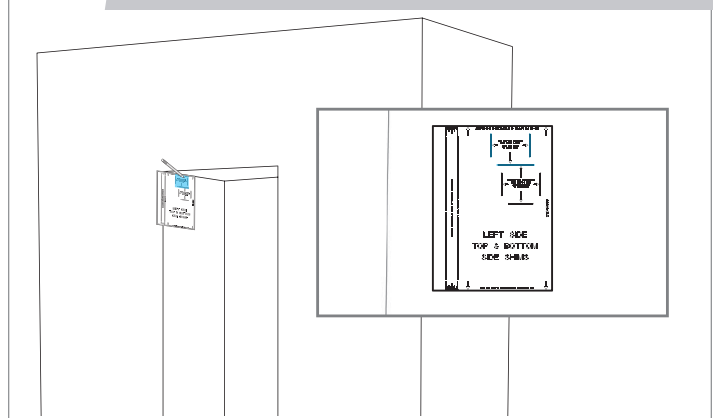
17 ENLEVER LA GRILLE DE VENTILATION DE LA BASE.



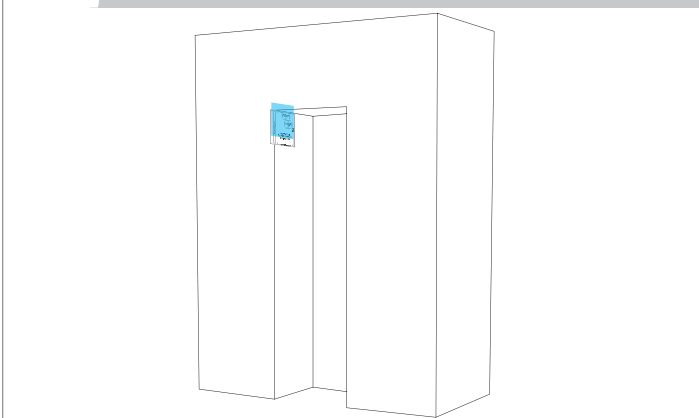
2.1 MESURER ET MARQUER LA LIGNE DU PANNEAU DE GAUCHE.



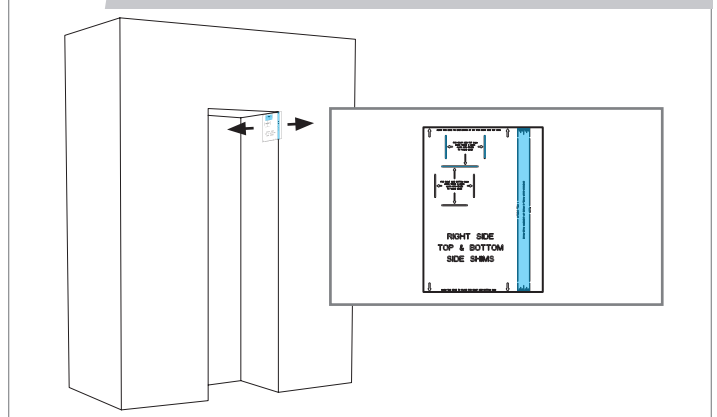
2.4 MARQUER LES LIGNES D'ALIGNEMENT DE LA CALE SUPÉRIEURE.



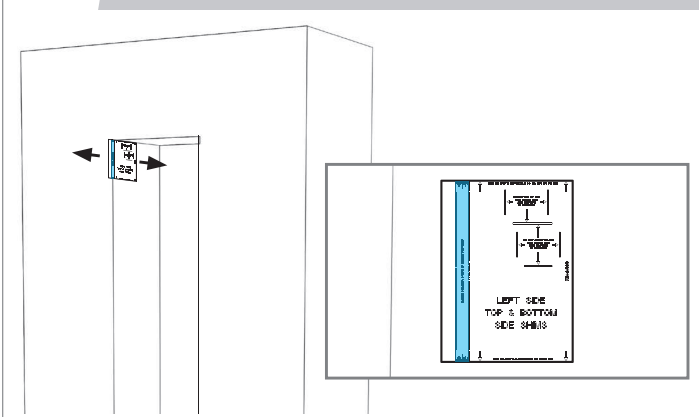
2.2 PLACER LE GABARIT SUR LE PANNEAU DE GAUCHE.



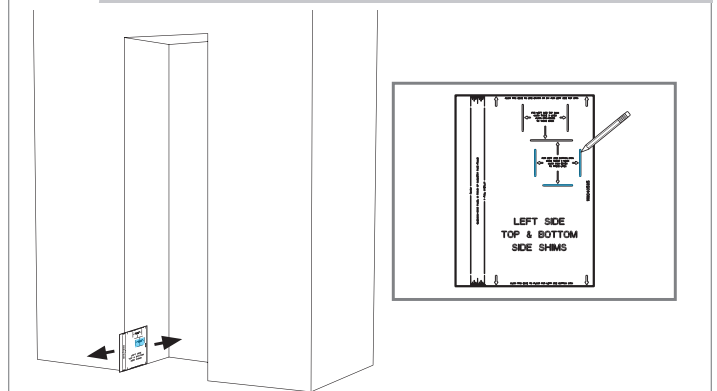
2.5 RÉPÉTER LES ÉTAPES 2,1 À 2,4 POUR LE PANNEAU DE DROITE.



2.3 ALIGNER LA LIGNE DE STYLE DE PORTE AVEC LE DEVANT DE L'ARMOIRE.



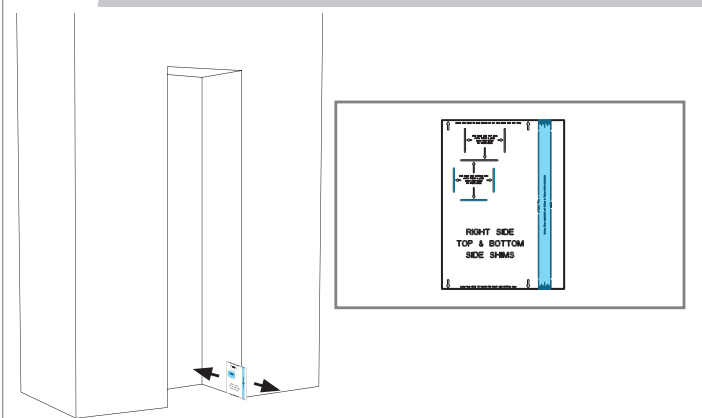
2.6 PLACER ET ALIGNER LE GABARIT SUR LE PANNEAU INFÉRIEUR GAUCHE, MARQUE LES LIGNES D'ALIGNEMENT DE LA CALE.



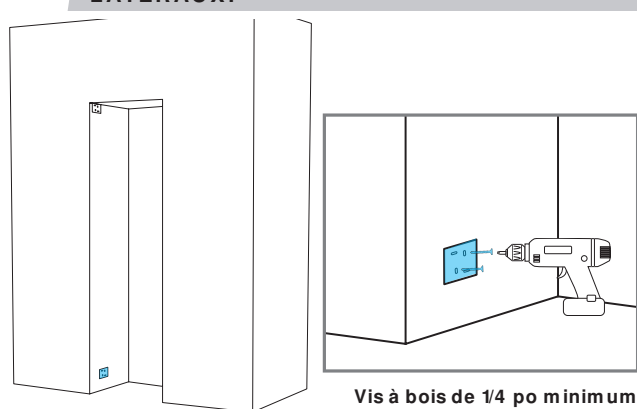
2

PRÉPARATION DU MEUBLE

2.7 RÉPÉTER L'ÉTAPE 2,6 POUR LE PANNEAU DE DROITE.

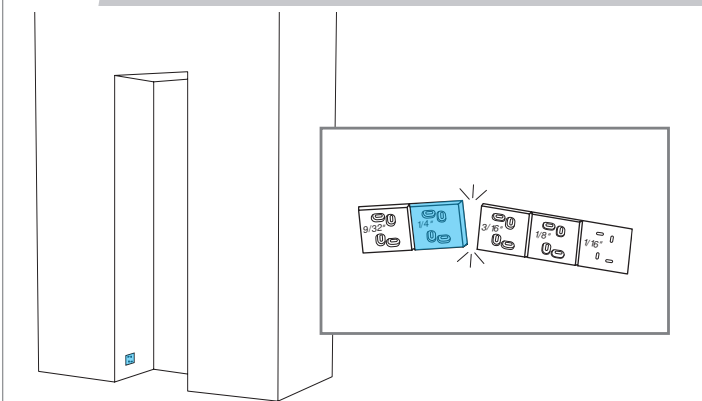


2.10 FIXER LES CALES AUX PANNEAUX LATÉRAUX.



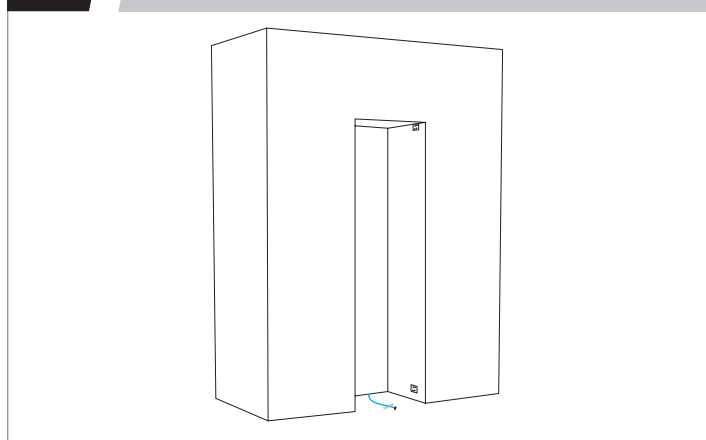
UTILISER AU MOINS DEUX VIS À BOIS.

2.8 SÉPARER LES CALES ROTTER ET LES COLLER SUR LES MARQUES DU BAS.

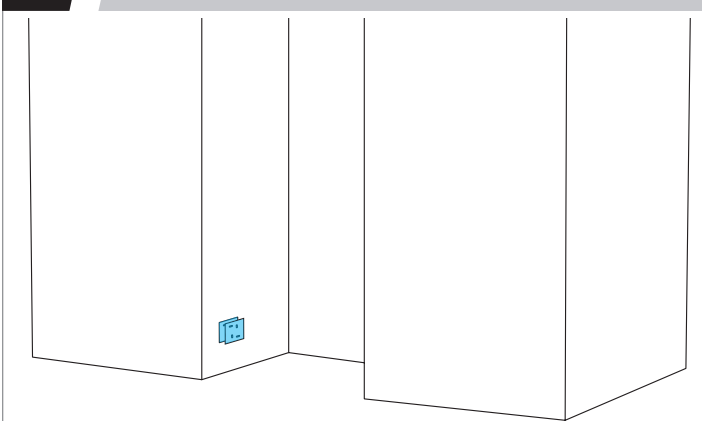


UTILISER AU MOINS UNE CALE DE 1/4 PO DE CHAQUE CÔTÉ.

2.11 COLLER LE TUYAU D'EAU AU PLANCHER.

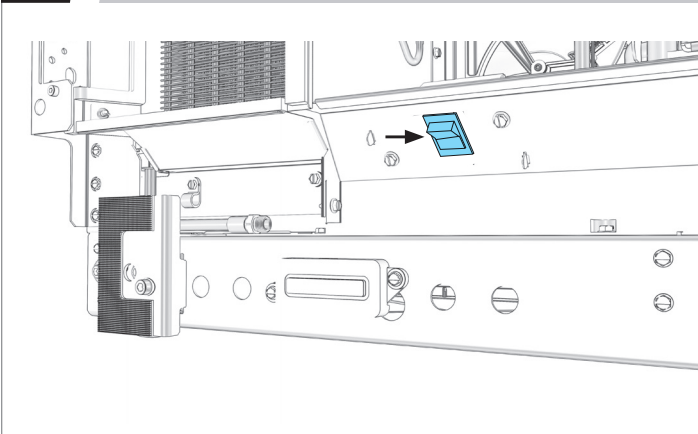


2.9 AJOUTER DES CALES AU BESOIN.



CONSULTER L'ÉQUATION DE CALES SUPPLÉMENTAIRE DE L'ANNEXE.

3.1 ÉTEINDRE L'APPAREIL.



AVANT DE BRANCHER L'APPAREIL, LIRE LES AVERTISSEMENTS.

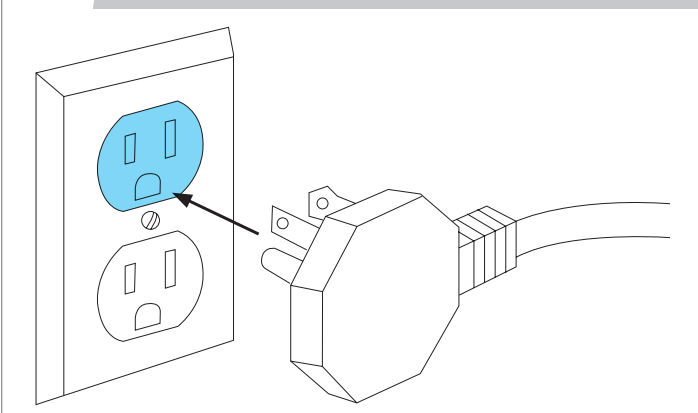
⚠ AVERTISSEMENT



Risque de choc électrique

- Brancher sur une prise à 3 alvéoles reliée à la terre.
- Ne pas enlever la broche de liaison à la terre.
- Ne pas utiliser un adaptateur.
- Ne pas utiliser un câble de rallonge.
- Le non-respect de ces instructions peut causer un décès, un incendie ou un choc électrique.

3.2 BRANCHER À UNE PRISE À TROIS ALVÉOLES RELIÉE À LA TERRE.



AVANT DE DÉPLACER L'APPAREIL, LIRE LES AVERTISSEMENTS.

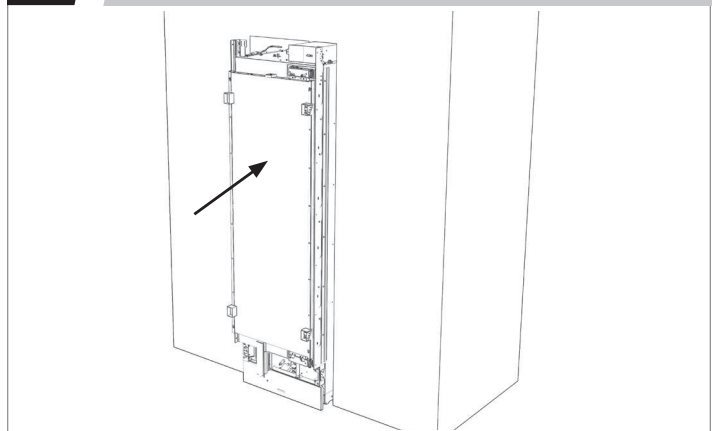
⚠ AVERTISSEMENT



Risque de basculement

- Le réfrigérateur est lourd au sommet et bascule facilement lorsqu'il n'est pas complètement installé.
- Garder les portes fermées avec un ruban adhésif jusqu'à l'installation complète du réfrigérateur.
- Utiliser deux ou plus de personnes pour déplacer et installer le réfrigérateur.
- Le non-respect de ces instructions peut causer un décès ou une blessure grave.

3.3 PLACER L'APPAREIL DANS L'OUVERTURE.

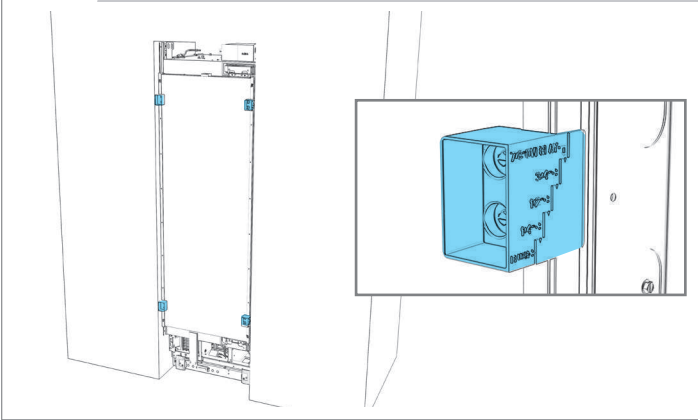


NE PAS ENDOMMAGER LE TUYAU D'EAU.

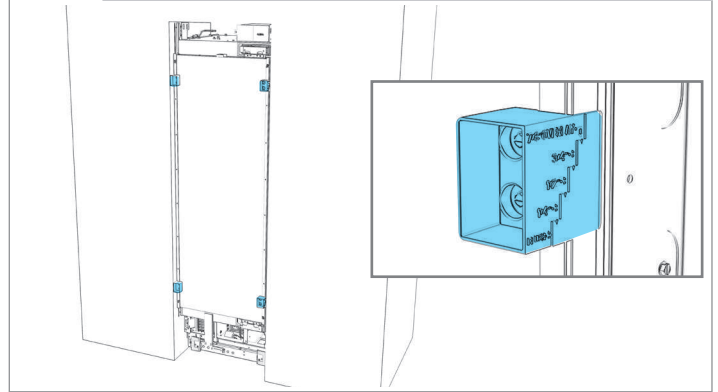
3

INSTALLATION DE L'APPAREIL

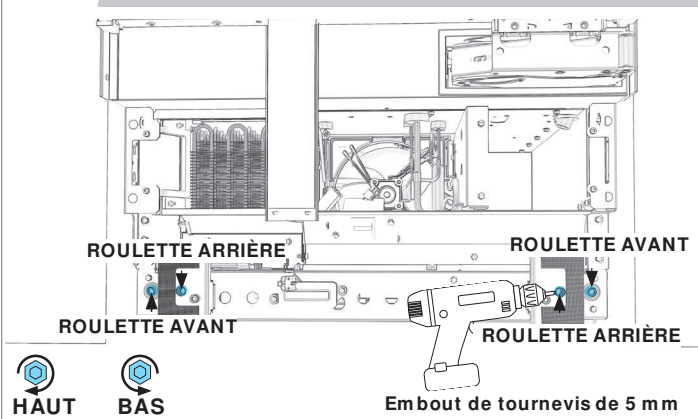
3.4 UTILISER LES GABARITS DE PROFONDEUR POUR ALIGNER.



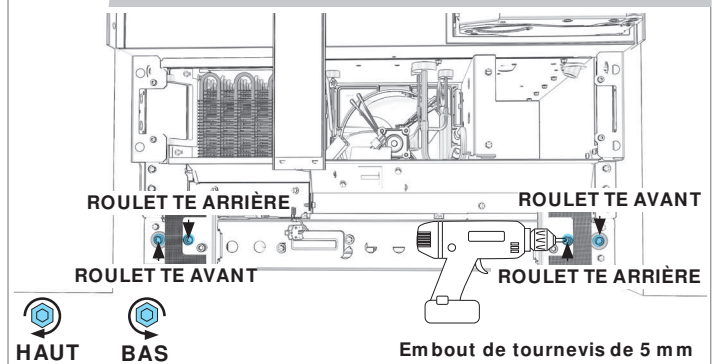
3.7 VÉRIFIER QUE LES GABARITS DE PROFONDEUR INDICENT LA MÊME PROFONDEUR.



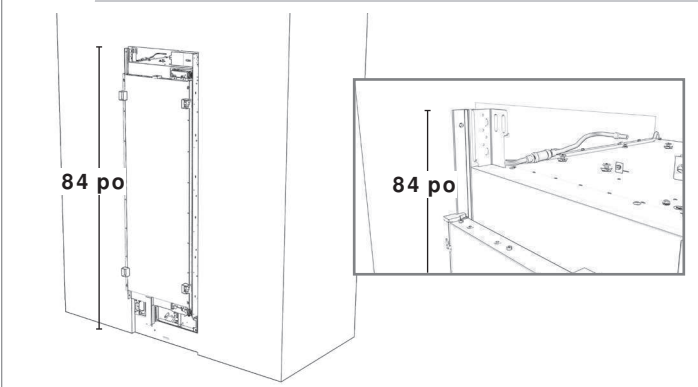
3.5 DÉPLOYER LES ROULETTES DE MISE AU NIVEAU INDIVIDUELLEMENT.



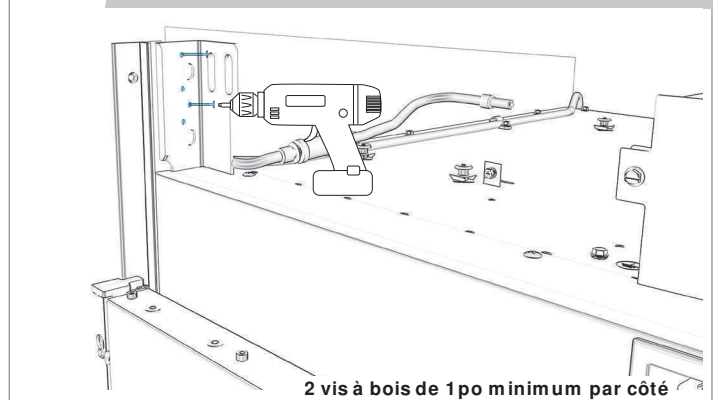
3.8 DÉPLOYER LES ROULETTES DE MISE AU NIVEAU INDIVIDUELLEMENT, JUSQU'À CE QUE LES GABARITS DE PROFONDEUR CORRESPONDENT.



3.6 S'ASSURER QUE LES SUPPORTS D'INSTALLATION SONT ALIGNÉS AVEC LA LIGNE DE 84 PO.

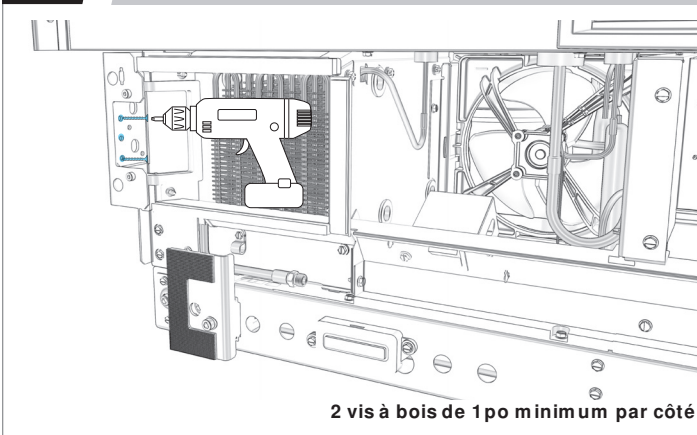


3.9 FIXER L'APPAREIL À CHACUN DES PANNEAUX LATÉRAUX.



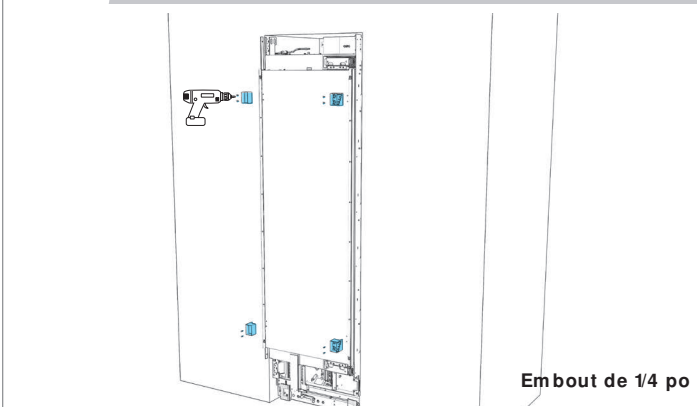
UTILISER DES VIS À BOIS D'UNE LONGUEUR APPROPRIÉE.

3.10 RÉPÉTER POUR LE SUPPORT INFÉRIEUR.



2 vis à bois de 1po minimum par côté

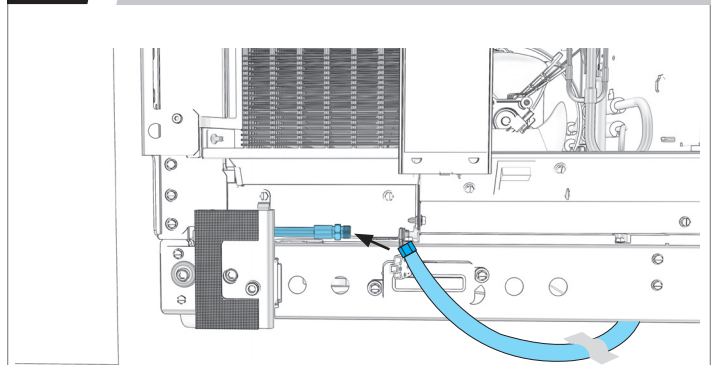
3.11 ENLEVER ET JETER LES GABARITS DE PROFONDEUR.



Embout de 1/4 po

★ IMPORTANT : S'ASSURER QUE LA COLONNE EST ENLEVÉE AVANT D'ENTREPRENDRE LA PROCHAINE ÉTAPE ET RACCORDER LA CANALISATION D'EAU.

3.12 RACCORDER LE TUYAU D'ARRIVÉE D'EAU.



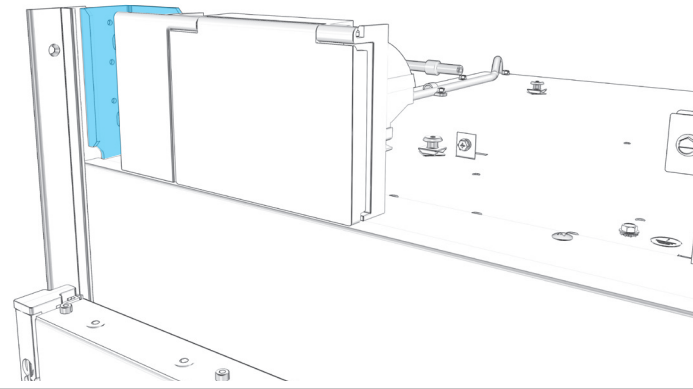
LA PORTE PEUT ÊTRE OUVERTE À PARTIR DE CE MOMENT.

4

PRÉPARATION DE LA PLINTHE DE L'APPAREIL

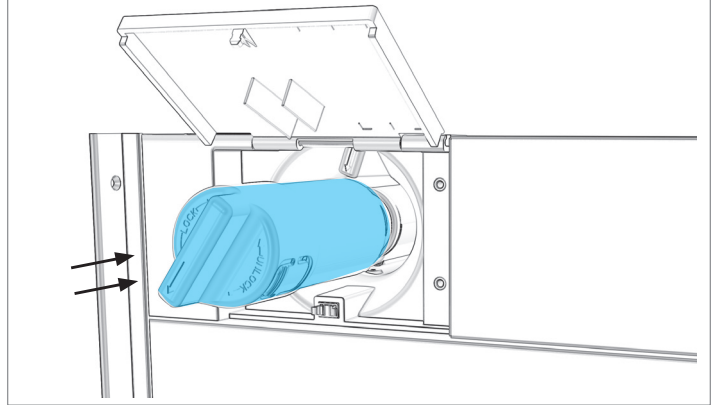
4.1

ALIGNER LE LOGEMENT DU FILTRE ENTRE
LES SUPPORTS, AU HAUT DE L'APPAREIL.



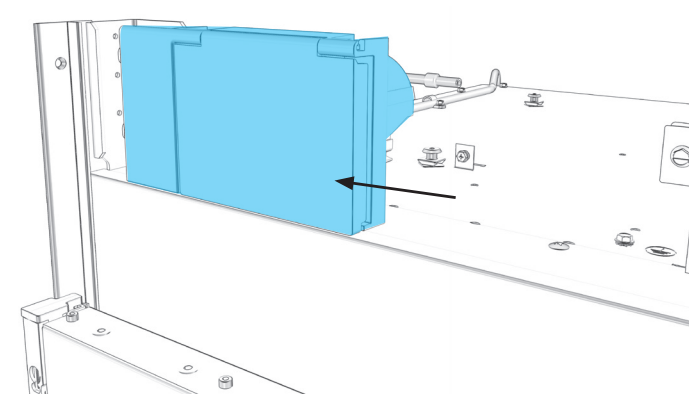
4.3

INSÉRER LE FILTRE À EAU JUSQU'À CE
QU'IL SOIT BIEN PLACÉ.



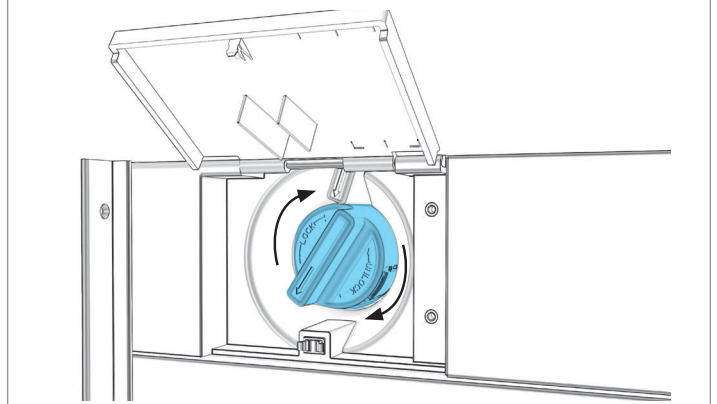
4.2

REPLACER LE LOGEMENT EN POUSSANT
AVEC FORCE VERS LA GAUCHE.



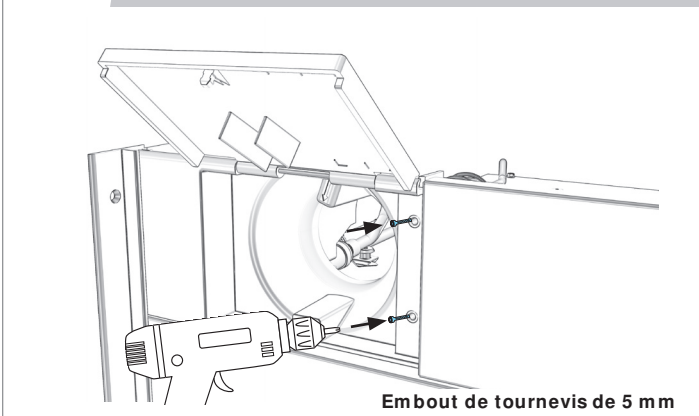
4.4

FAIRE TOURNER LE FILTRE DANS LE SENS
HORAIRE POUR ALIGNER LES FLÈCHES.



4.5

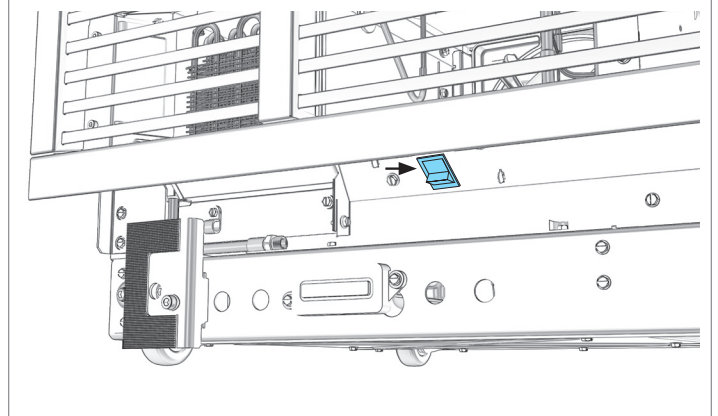
RÉINSTALLER LE COUVERCLE DU HAUT ET
LE FIXER À L'AIDE DE DEUX VIS.



Embout de tournevis de 5 mm

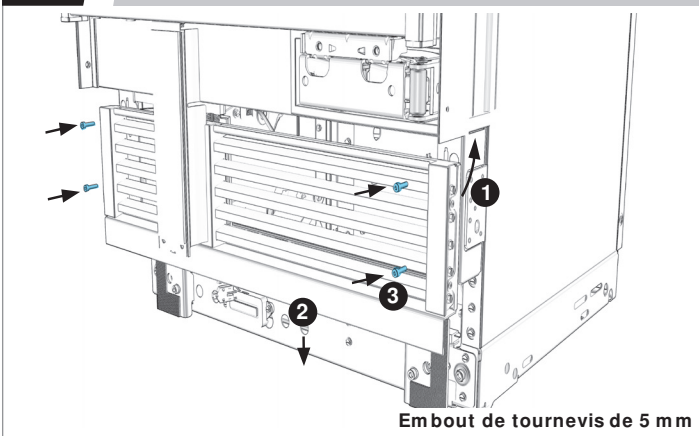
4.7

METTRE L'APPAREIL SOUS TENSION.



4.6

RÉINSTALLER LA GRILLE DE VENTILATION.

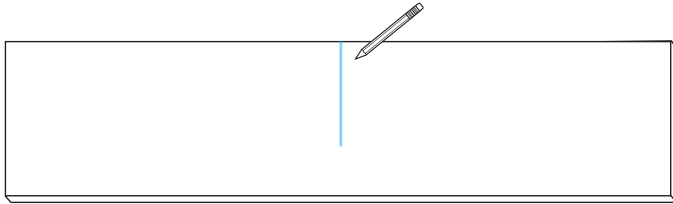


Embout de tournevis de 5 mm

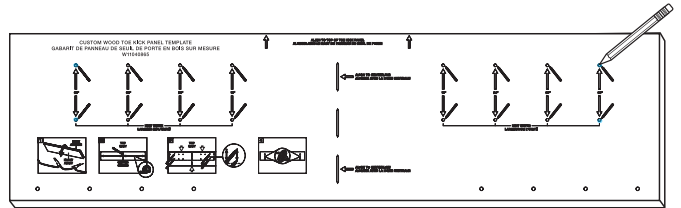
5

PRÉPARATION DE LA PLINTHE EN BOIS PERSONNALISÉE

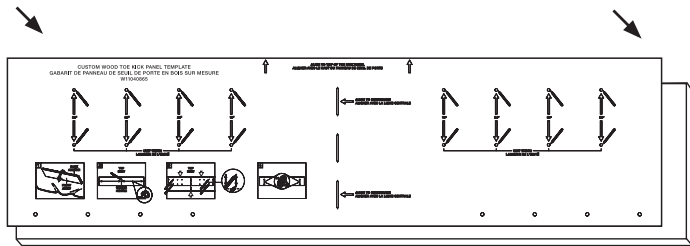
5.1 MESURER ET MARQUER LA LIGNE CENTRALE DE LA PLINTHE.



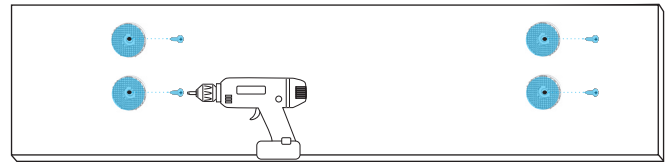
5.4 MARQUER LES EMPLACEMENTS DE COUSSINS DE PRISE.



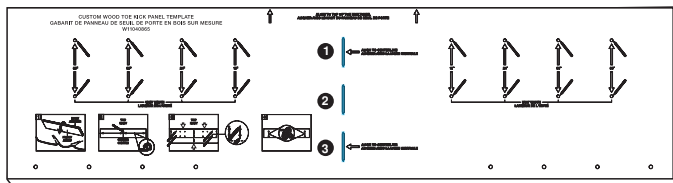
5.2 GABARIT D'ALIGNEMENT.



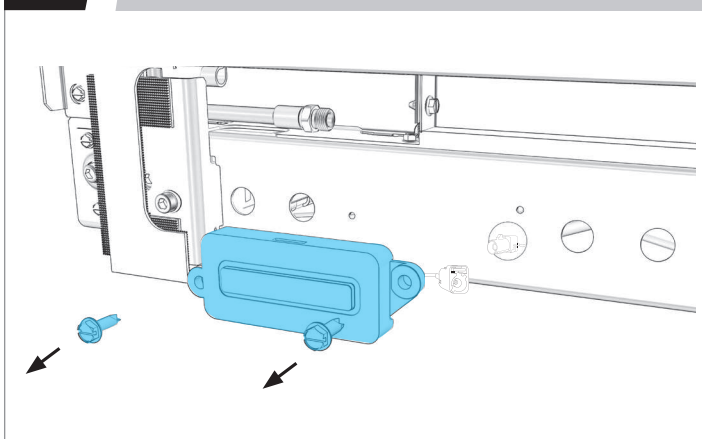
5.5 FIXER LES COUSSINS DE PRISE AUX POINTS.



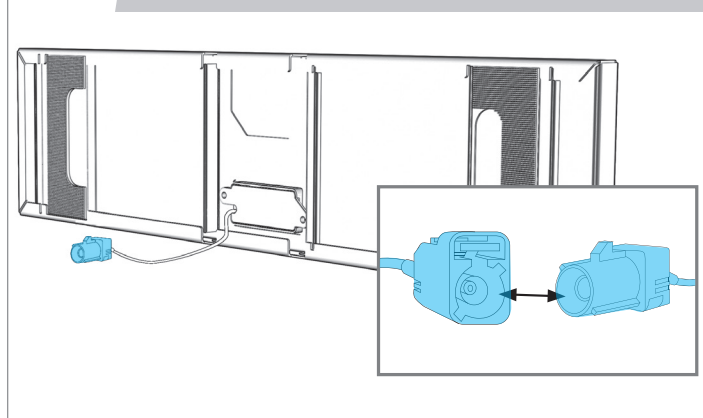
5.3 ALIGNER LE GABARIT AVEC LA LIGNE CENTRALE.



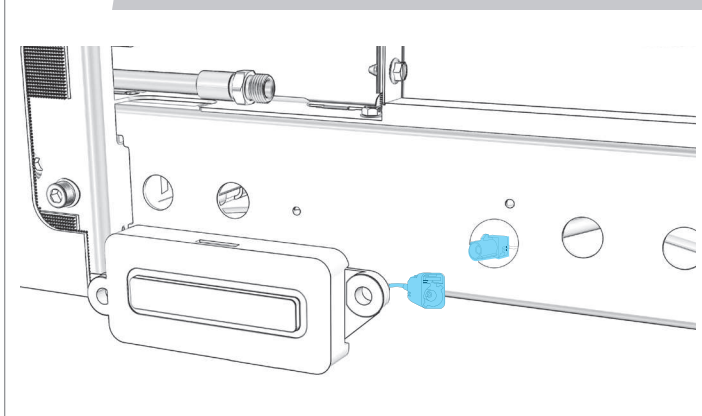
6.1 DÉVISSER ET JETER LE HARNAIS WI FI.



6.3 BRANCHER LES FILS BLEUS DE LA PLINTE ET DE L'APPAREIL.



6.2 DÉBRANCHER LE FIL WI FI BLEU DU HARNAIS.

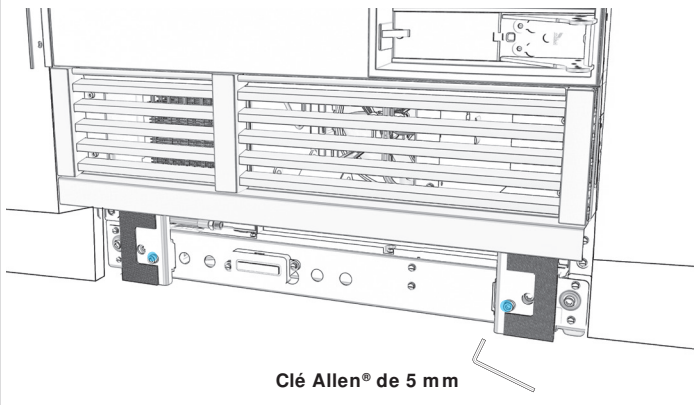


7

ALIGNEMENT ET INSTALLATION DE LA PLINTHE

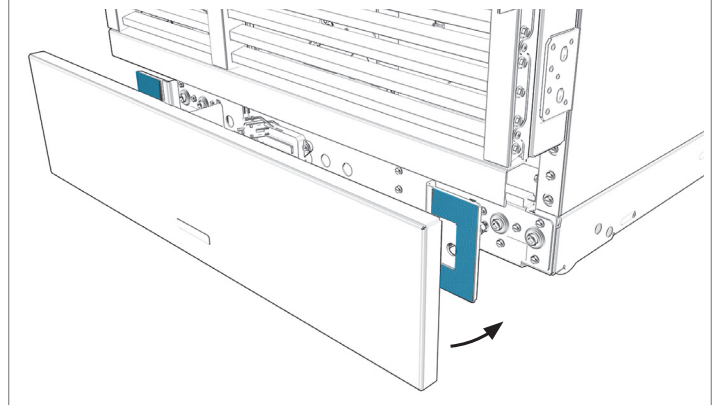
7.1

ALIGNER LES SUPPORTS DE LA PLINTHE AVEC LA PLINTHE DU MEUBLE.



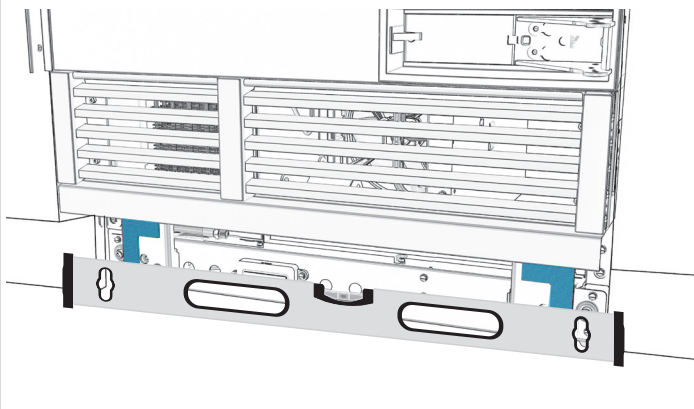
7.3

ALIGNER LES COUSSINS DE PRISE DE LA PLINTHE AVEC LES SUPPORTS.



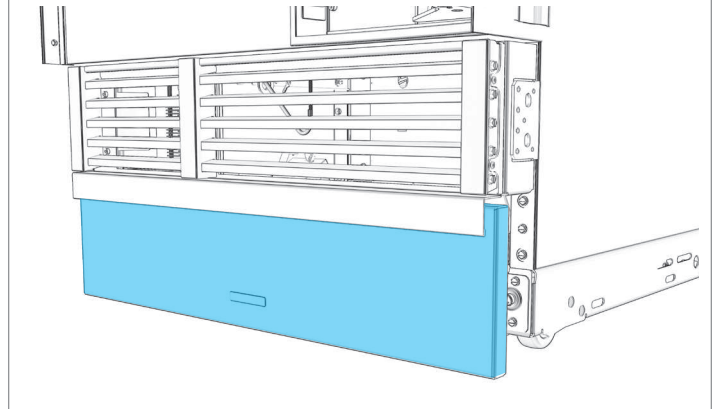
7.2

VÉRIFIER QUE LES SUPPORTS SONT ALIGNÉS.



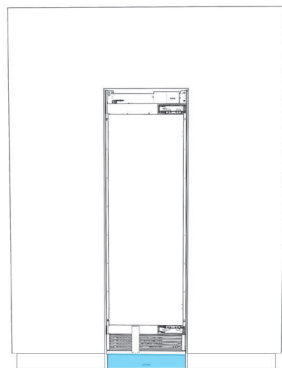
7.4

PRESSER FERMEMENT POUR FIXER.



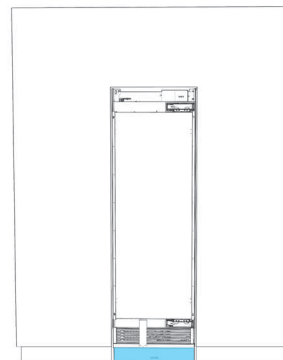
7.5

MESURER LE DÉCALAGE. S'IL N'EST PAS ÉGAL, ENLEVER LE PANNEAU.



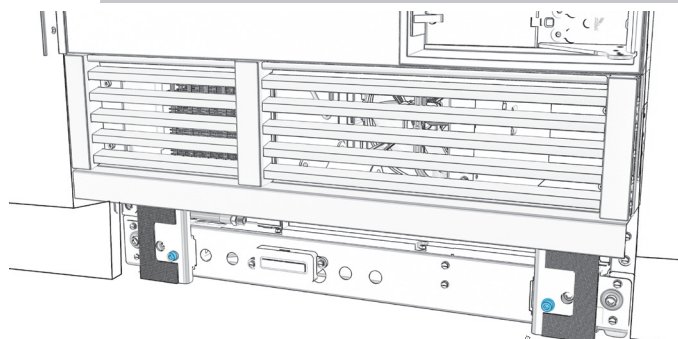
7.7

CONFIRMER L'ALIGNEMENT, REPLACER AU BESOIN.

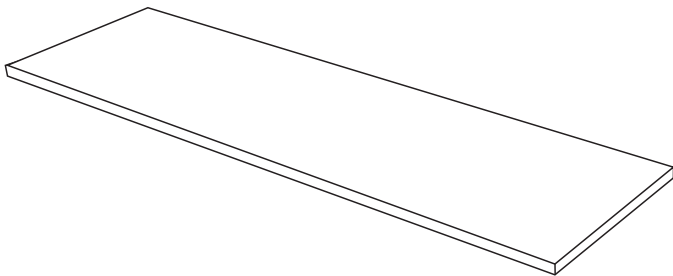
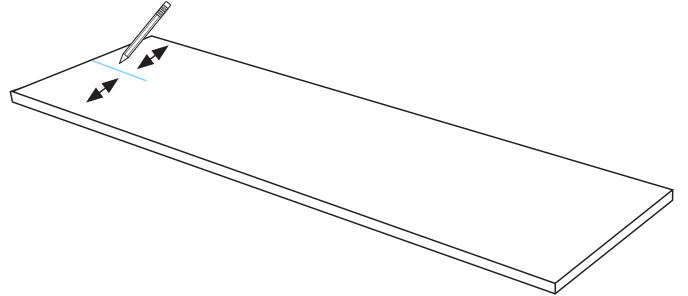
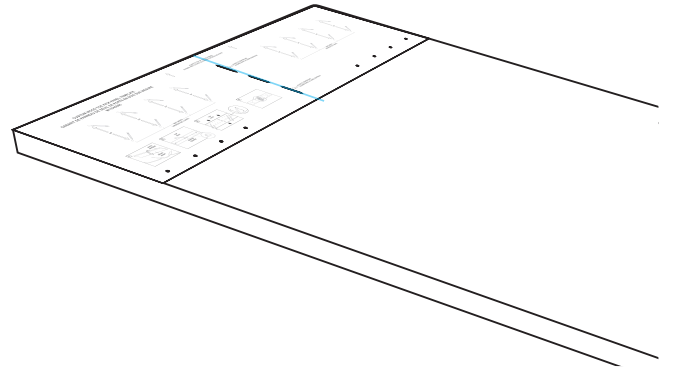
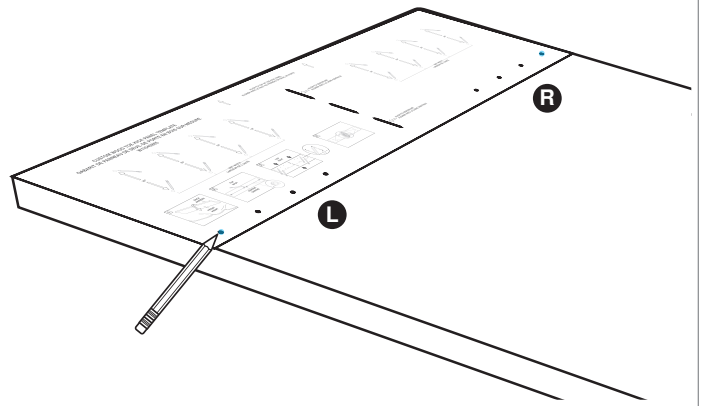


7.6

AJUSTER LES SUPPORTS POUR ALIGNER LE PANNEAU.

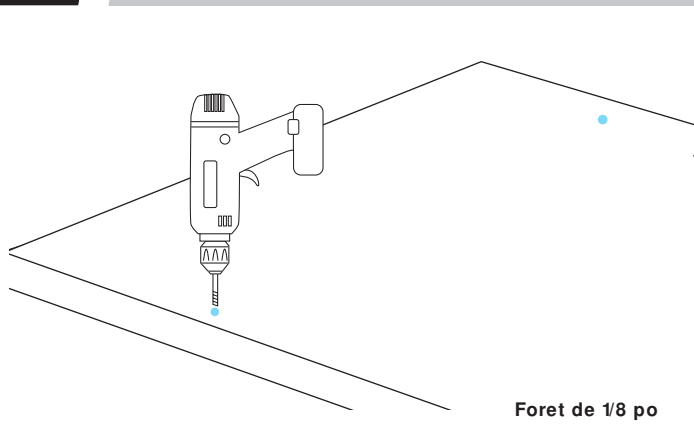


Clé Allen® de 5 mm

⚠ AVERTISSEMENT**Risque de poids excessif****Utiliser deux ou plus de personnes pour déplacer et installer les panneaux.****Le non-respect de cette instruction peut entraîner une blessure au dos ou d'autres blessures.****8.1****TIRER SUR LE RUBAN POUR FAIRE SORTIR LA GARNITURE DE SUPPORT.****8.2****PLACER LE PANNEAU, FACE CONTRE LE SOL.****PLACER SUR UNE SURFACE PLANE, RECOUVERTE D'UN TISSU.****8.3****MESURER ET MARQUER LE CENTRE DU PANNEAU.****8.4****ALIGNER LES FENTES DU GABARIT POUR PANNEAU EN BOIS PERSONNALISÉ AVEC LA LIGNE AU CENTRE DU PANNEAU.****8.5****MARQUER LES TROUS DE GAUCHE ET DE DROITE.**

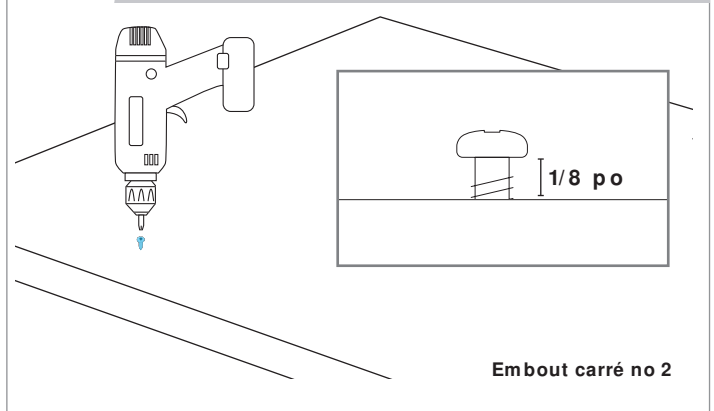
8.6

PERCER LES TROUS.



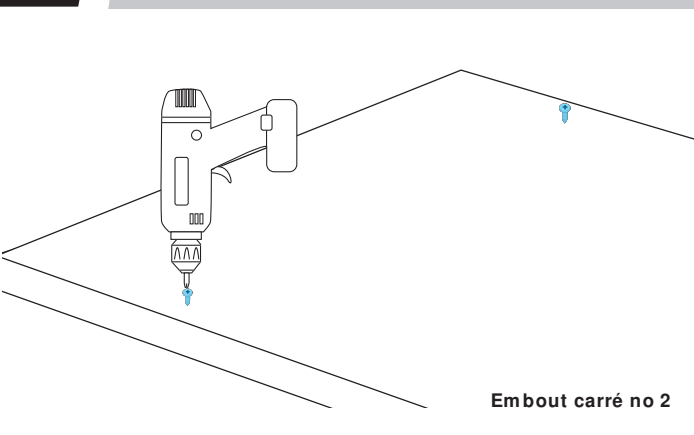
8.8

S'ASSURER DE GARDER UN JEU DE 1 8 PO
3,18 MM .



8.7

INSÉRER DES VIS DANS LES TROUS.

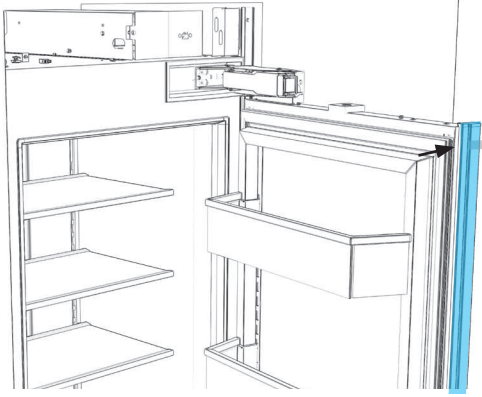


9

PRÉPARATION DU PANNEAU EN ACIER INOXYDABLE

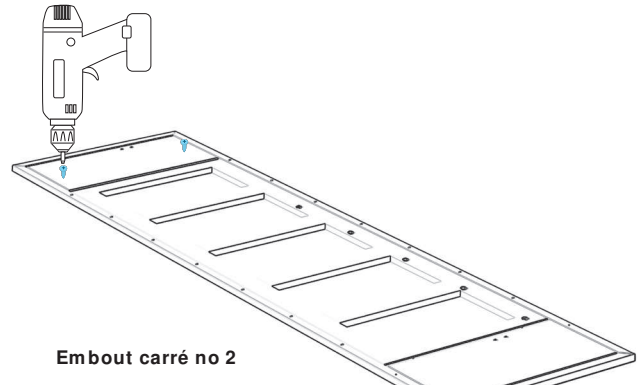
9.1

TIRER SUR LE RUBAN POUR FAIRE SORTIR LES GARNITURES DE SUPPORT.



9.3

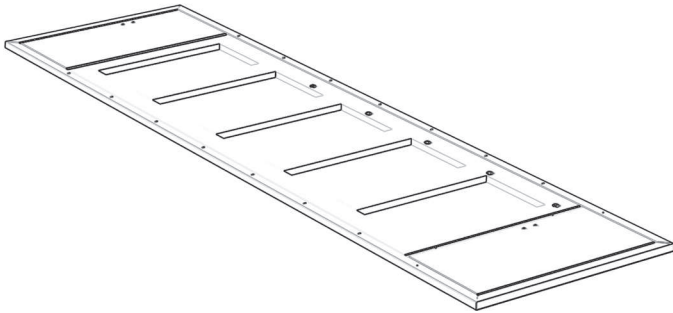
INSÉRER DES VIS DANS LES TROUS.



Embout carré no 2

9.2

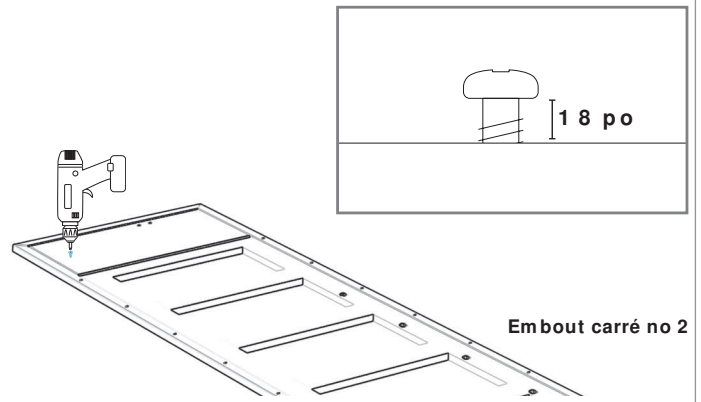
PLACER LE PANNEAU, FACE CONTRE LE SOL.



PLACER SUR UNE SURFACE PLANE, RECOUVERTE D'UN TISSU.

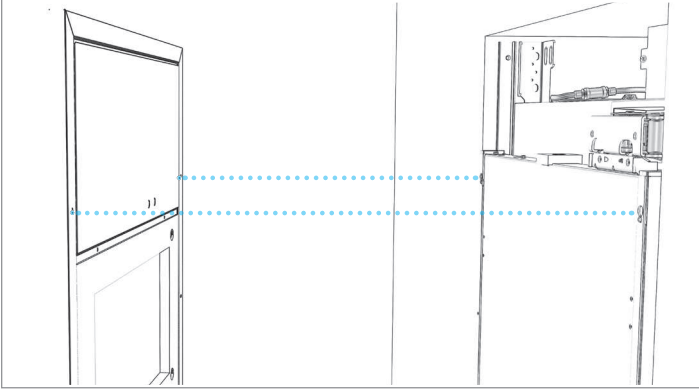
9.4

S'ASSURER DE GARDER UN JEU DE 18 PO
3,18 MM .

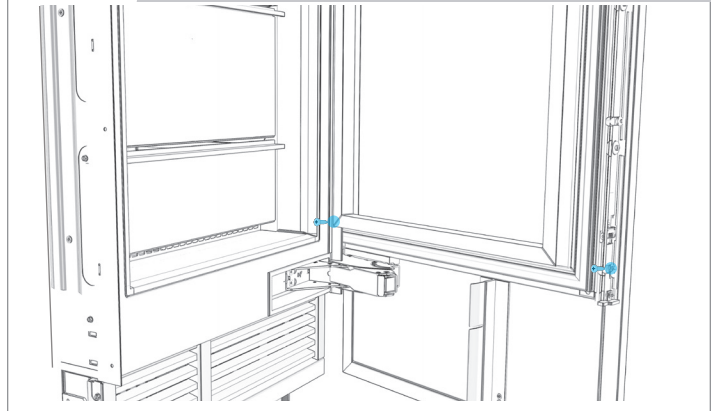


Embout carré no 2

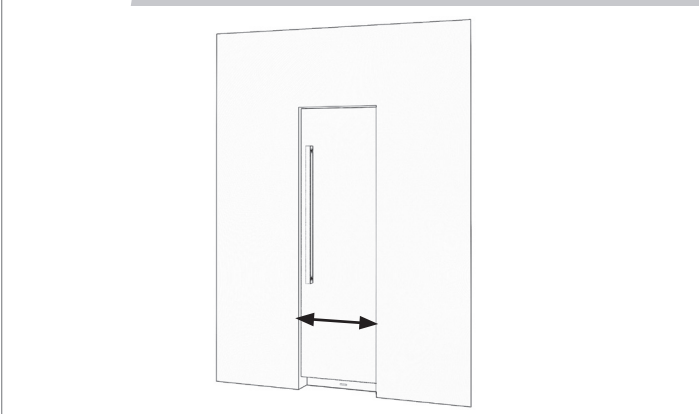
10.1 INSÉRER LES VIS DANS LES FENTES SUPÉRIEURES DES GARNITURES D'AJUSTEMENT DE PORTE.



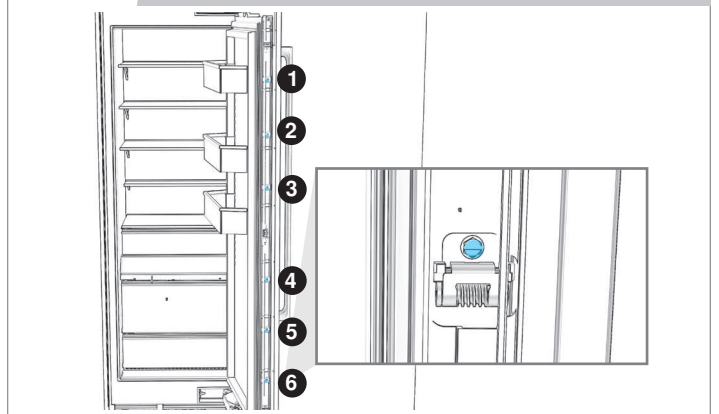
10.4 INSÉRER, SANS SERRER, DEUX VIS DANS LES TROUS INFÉRIEURS.



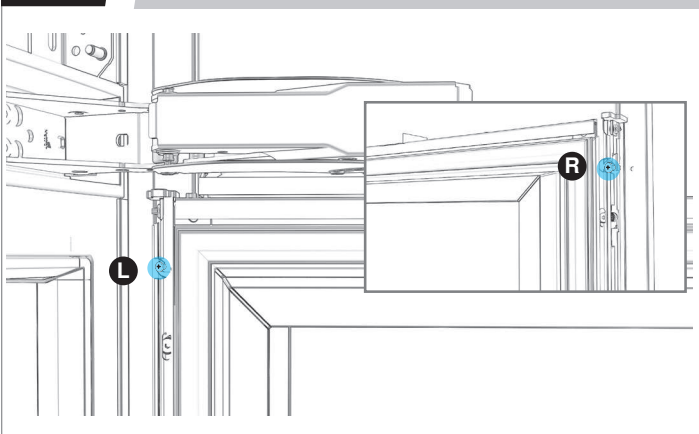
10.2 AJUSTER MANUELLEMENT LA POSITION DU PANNEAU DE PORTE.



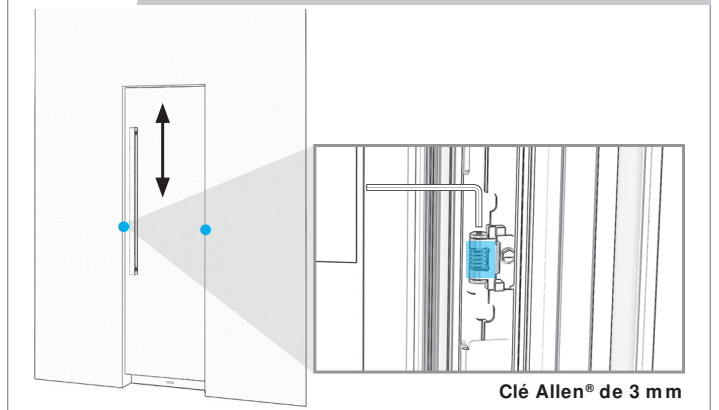
10.5 DESERRER SIX VIS D'AJUSTEMENT PAR CÔTÉ.



10.3 SERRER LES DEUX VIS SUPÉRIEURES.



10.6 RÉGLER LA HAUTEUR DU PANNEAU DE PORTE.

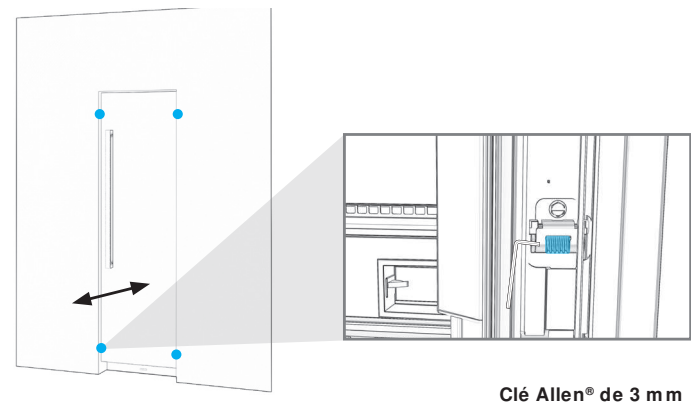


10

SUSPENSION ET AJUSTEMENT DU PANNEAU

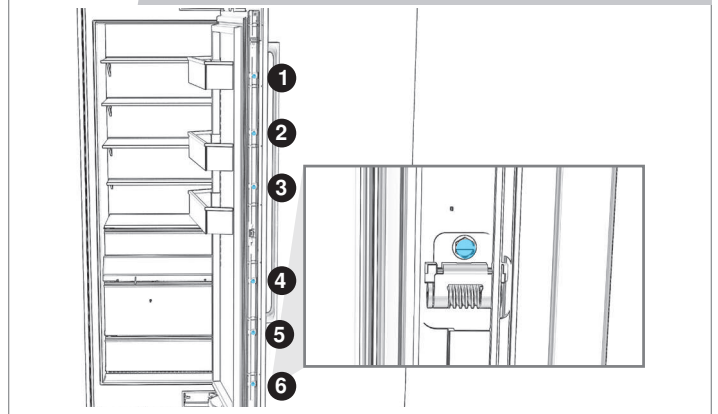
10.7

AJUSTER LA PROFONDEUR DU PANNEAU DE PORTE.



10.10

BIEN SERRER SIX VIS D'AJUSTEMENT PAR CÔTÉ.



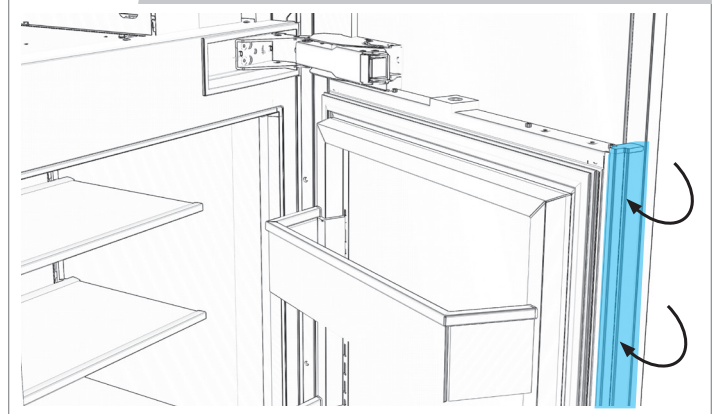
10.8

VÉRIFIER QUE LE PANNEAU DE PORTE EST DE NIVEAU AVEC LES MEUBLES.



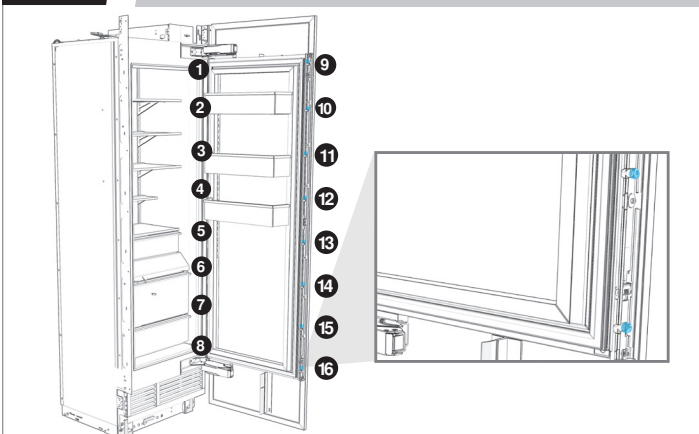
10.11

RÉINSTALLER LES GARNITURES DE SUPPORT.



10.9

INSÉRER ET SERRER LES 16 VIS.



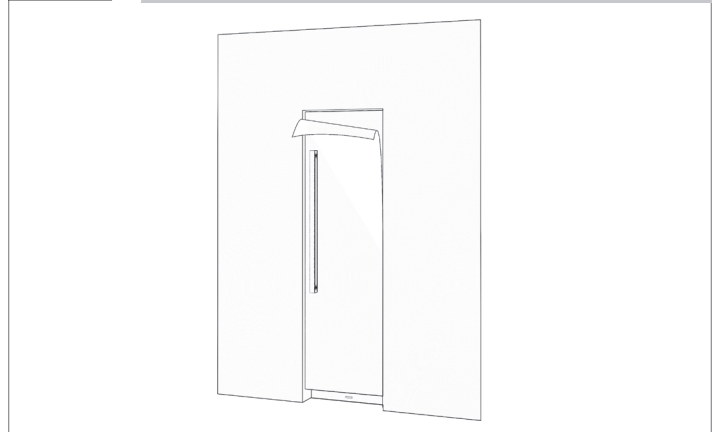
11.1

TIRER SUR LES GARNITURES DE CÔTÉ
POUR QU'ELLES SOIENT BIEN SERRÉES.



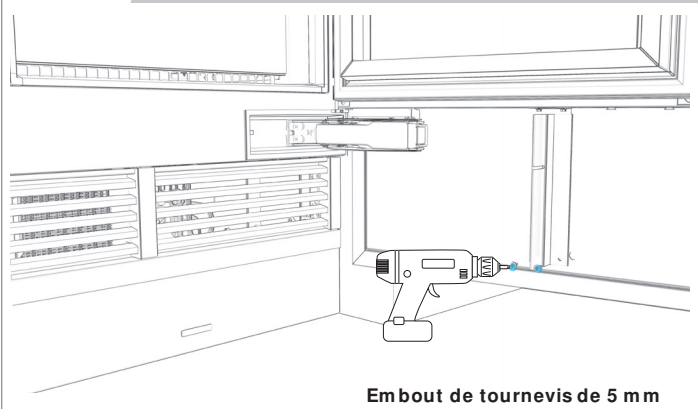
11.3

RETIRER LE FILM.



11.2

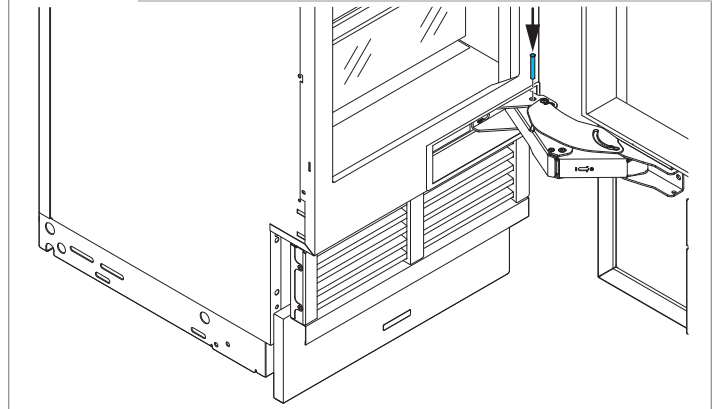
FIXER LE SÉPARATEUR D'AIR AU
PANNEAU DE PORTE.



Embout de tournevis de 5 mm

11.4

INSTALLER AU BESOIN LES GOUPILLES DE
BUTÉE DE PORTE À 90 DEGRÉS.



LES GOUPILLES DE BUTÉE DE PORTE
SONT INCLUSES DANS LE SACHET DE
DOCUMENTS.

⚠ AVERTISSEMENT



Risque de choc électrique

Brancher sur une prise à 3 alvéoles reliée à la terre.

Ne pas enlever la broche de liaison à la terre.

Ne pas utiliser un adaptateur.

Ne pas utiliser un câble de rallonge.

Le non-respect de ces instructions peut causer un décès, un incendie ou un choc électrique.

VÉRIFICATION FINALE

- Il ne reste plus d'emballage dans la maison du client
- Le réfrigérateur intégré en colonne est branché, alimenté et fonctionne à son rendement cible
- L'appareil est d'aplomb
- Les panneaux sont alignés et ont été vérifiés de nouveau après 20 minutes de fonctionnement
- Le tuyau d'entrée d'eau est raccordé correctement, il n'y a pas de fuite
- Le filtre à eau est installé (ne s'applique pas s'il y a un système d'osmose inverse)
- Le distributeur et la machine à glaçons fonctionnent
- Tout problème en lien avec l'installation ou les pièces a été signalé à l'Epicenter de JennAir

EXPLICATIONS AU CLIENT

Si le client est présent, lui remettre le guide d'utilisation. Expliquer au client comment :

- Fonctionner le tableau de commande
- Configurer l'application et le Wi-Fi
- Jeter les premières quantités de glaçons produites
- Remplacer le filtre à eau
- Enregistrer son appareil
- Comment communiquer avec l'Epicenter JennAir à partir du jennair.com ou en composant le 1800 JENNAIR (536-6247)

ANNEXE

RENSEIGNEMENTS SUPPLÉMENTAIRES SUR LES CALES

CONNAÎTRE L'ÉPAISSEUR DES CALES

1. Mesurer et inscrire la distance entre les empreintes des cales supérieures gauche et droite. Inscrire cette mesure ci-dessous à « A ».

A = _____

2. Utiliser le tableau suivant pour trouver la valeur de B pour votre largeur de modèle.
Soustraire B de A pour trouver C :

$$\frac{\quad}{A} - \frac{\quad}{B} = \frac{\quad}{C}$$

Largeur du modèle	B
18 po	17 / po (45,1 cm)
24 po	23 / po (60,3 cm)
30 po	29 / po (75,6 cm)
36 po	35 / po (90,8 cm)

3. Diviser C par 2 pour obtenir l'épaisseur requise pour les cales supérieures :

$$\frac{\quad}{C} / \frac{2}{\quad} = \frac{\quad}{\text{Épaisseur}}$$

Créer des cales de la bonne épaisseur en empilant une combinaison des cales fournies, au besoin.

ANNEXE

RENSEIGNEMENTS SUPPLÉMENTAIRES SUR LES CALES

CONNAÎTRE L'ÉPAISSEUR DES CALES INFÉRIEURES

1. Mesurer et inscrire la distance entre les empreintes des cales inférieures gauche et droite. Inscrire cette mesure ci-dessous à « D ».

D = _____

2. Utiliser le tableau suivant pour trouver la valeur de E pour votre largeur de modèle.
Soustraire E de D pour trouver F.

$$\frac{\quad}{D} - \frac{\quad}{E} = \frac{\quad}{F}$$

Largeur du modèle	E
18 po	17 / po (44,5 cm)
24 po	23 / po (59,5 cm)
30 po	29 / po (74,8 cm)
36 po	35 / po (90 cm)

3. Diviser F par 2 pour obtenir l'épaisseur requise pour les cales supérieures :

$$\frac{\quad}{F} / \frac{2}{\quad} = \frac{\quad}{\text{Épaisseur}}$$

Créer des cales de la bonne épaisseur en empilant une combinaison des cales fournies, au besoin.

NOTES

