



PROPANE GAS AND HIGH ALTITUDE CONVERSION INSTRUCTIONS

For JGC3115GS and JGC3215GS Model Series

INSTRUCTIONS DE CONVERSION - GAZ PROPANE ET ALTITUDE ÉLEVÉE

Pour séries de modèles JGC3115GS et JGC3215GS

Table of Contents/Table des matières

COOKTOP SAFETY.....	2	SÉCURITÉ DE LA TABLE DE CUISSON.....	10
Tools and Parts.....	3	Outillage et pièces.....	11
Convert from Natural Gas to Propane Gas	3	Conversion de gaz naturel à propane.....	12
Convert from Propane Gas to Natural Gas	6	Conversion de propane à gaz naturel.....	15
Lighting the Electronic Igniters	8	Allumeurs électroniques - allumage.....	17
Low Flame Height Adjustment.....	9	Réglage pour le débit thermique minimum	18

IMPORTANT:

Installer: Leave installation instructions with the homeowner.

Homeowner: Keep installation instructions for future reference.

IMPORTANT :

Installateur : Remettre les instructions d'installation au propriétaire.

Propriétaire : Conserver les instructions d'installation pour référence ultérieure.

COOKTOP SAFETY

Your safety and the safety of others are very important.

We have provided many important safety messages in this manual and on your appliance. Always read and obey all safety messages.



This is the safety alert symbol.

This symbol alerts you to potential hazards that can kill or hurt you and others.

All safety messages will follow the safety alert symbol and either the word "DANGER" or "WARNING."

These words mean:

⚠ DANGER

You can be killed or seriously injured if you don't immediately follow instructions.

⚠ WARNING

You can be killed or seriously injured if you don't follow instructions.

All safety messages will tell you what the potential hazard is, tell you how to reduce the chance of injury, and tell you what can happen if the instructions are not followed.

WARNING: If the information in these instructions is not followed exactly, a fire or explosion may result causing property damage, personal injury or death.

- Do not store or use gasoline or other flammable vapors and liquids in the vicinity of this or any other appliance.
- **WHAT TO DO IF YOU SMELL GAS:**
 - Do not try to light any appliance.
 - Do not touch any electrical switch.
 - Do not use any phone in your building.
 - Immediately call your gas supplier from a neighbor's phone. Follow the gas supplier's instructions.
 - If you cannot reach your gas supplier, call the fire department.
- Installation and service must be performed by a qualified installer, service agency or the gas supplier.

WARNING: Gas leaks cannot always be detected by smell.

Gas suppliers recommend that you use a gas detector approved by UL or CSA.

For more information, contact your gas supplier.

If a gas leak is detected, follow the "What to do if you smell gas" instructions.

In the State of Massachusetts, the following installation instructions apply:

- Installations and repairs must be performed by a qualified or licensed contractor, plumber, or gas fitter qualified or licensed by the State of Massachusetts.
- Acceptable Shut-off Devices: Gas Cocks and Ball Valves installed for use shall be listed.
- A flexible gas connector, when used, must not exceed 4 feet (121.9 cm).

Tools and Parts

Gather the required tools and parts necessary for correct Propane gas conversion.

Tools needed

- Flat-blade screwdriver
- $\frac{3}{32}$ " (#0 [2.0 mm]) flat-blade screwdriver (screwdriver shaft must be a minimum of $2\frac{1}{2}$ " [6.4 cm] long)
- Adjustable wrench
- 7.0 mm nut driver
- 7.0 mm wrench

Parts supplied

- Propane gas orifice spud (W11027216)

High Altitude Conversion

To convert the cooktop for elevations above 6,560 ft (1999.5 m), order a High Altitude Conversion Kit.

- Part Number W11035431 - Propane high altitude
- Part Number W11035432 - Natural gas high altitude

To order, see the "Assistance or Service" section of the Use and Care Guide.

IMPORTANT: Gas conversions from Natural gas to Propane gas must be done by a qualified installer. Before proceeding with conversion, shut off the gas supply to the cooktop prior to disconnecting the electrical power.

WARNING

This conversion kit shall be installed by a qualified service agency in accordance with the manufacturer's instructions and all applicable codes and requirements of the authority having jurisdiction. If the information in these instructions is not followed exactly, a fire, explosion or production of carbon monoxide may result causing property damage, personal injury or loss of life. The qualified service agency is responsible for the proper installation of this kit. The installation is not proper and complete until the operation of the converted appliance is checked as specified in the manufacturer's instructions supplied with this kit.

WARNING



Explosion Hazard

Use a new CSA International approved gas supply line.

Install a shut-off valve.

Securely tighten all gas connections.

If connected to propane, have a qualified person make sure gas pressure does not exceed 14" (36 cm) water column.

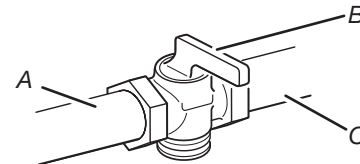
Examples of a qualified person include:

**licensed heating personnel,
authorized gas company personnel, and
authorized service personnel.**

Failure to do so can result in death, explosion, or fire.

Convert from Natural Gas to Propane Gas

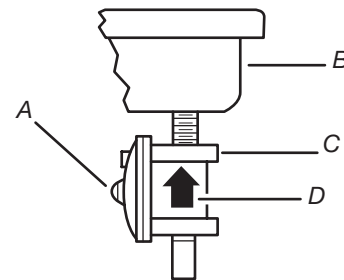
1. Turn manual shut-off valve to the closed position.



- A. To cooktop
- B. Shut-off valve (closed position)
- C. Gas supply line

2. Unplug cooktop or disconnect power.

To Convert Gas Pressure Regulator



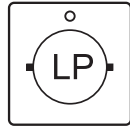
- A. Access cap
- B. Rear of cooktop
- C. Gas pressure regulator
- D. Gas flow

3. Determine the type of regulator you have:

Style 1: The cap has a slot and "NAT" printed on it.

Remove access cap by using a flat-blade screwdriver or coin, turning the access cap counterclockwise.

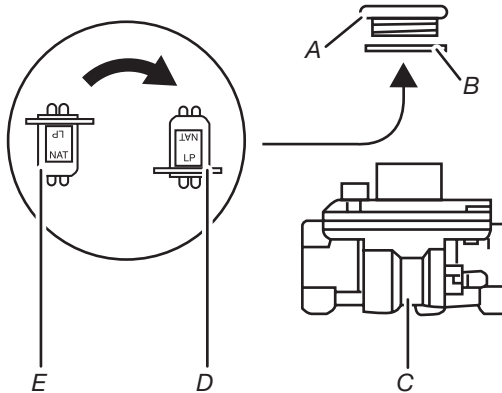
The gas pressure regulator has 2 settings that are stamped on either side of the cap. Turn the cap and reinstall into regulator with the stamp "LP" visible from the outside of the regulator.



Style 2: The cap does not have a slot and requires a wrench to be removed.

Remove the access cap by using a wrench, turning the access cap counterclockwise.

Remove spring retainer from the cap by pushing against the flat side of the spring retainer. Look at the spring retainer to locate the "NAT" or "LP" position. Turn over the spring retainer so the "LP" is showing on the bottom. Snap the spring retainer back into the cap. Reinstall the cap onto the regulator.



A. Access cap
B. Gasket
C. Gas pressure regulator
D. "LP" position
E. "NAT" position

- Test the gas pressure regulator and gas supply line. The regulator must be checked at a minimum 1" (2.5 cm) water column above the set pressure. The inlet pressure to the regulator should be as follows for operation and checking the regulator setting:

Propane Gas:

Minimum pressure 10" (25.4 cm) WCP
Supply pressure 14" (35.6 cm) WCP

Gas Supply Pressure Testing

Line pressure testing above 1/2 (3.5 kPa) psi gauge [14" (35.6 cm) WCP]

The cooktop and its individual shut-off valve must be disconnected from the gas supply piping system during any pressure testing of that system at test pressures in excess of 1/2 psi (3.5 kPa).

Line pressure testing at 1/2 (3.5 kPa) psi gauge [14" (35.6 cm) WCP] or lower

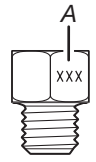
The cooktop must be isolated from the gas supply piping system by closing its individual manual shut-off valve during any pressure testing of the gas supply piping system at test pressures equal to or less than 1/2 psi (3.5 kPa).

- If the burner grates are installed, remove them. Use the following charts to match the correct gas orifice spud with the burner location and model being converted.

Propane Gas Orifice Spud Chart

Burner Rating	Stamp (A)	Size	Quantity
775 BTU*	50	0.50 mm	1
1,300 BTU**	41	0.41 mm	1
12,000 BTU	102	1.02 mm	2
16,000 BTU	102	1.02 mm	1

* Simmer orifice for the dual-ring wok burner
** Simmer orifice for the dual stack burner



Burner Models

Model No.	Front	Rear	Center	Simmer
JGC3115GS	N/A	N/A	16,000 BTU	775 BTU
JGC3215GS	12,000 BTU	12,000 BTU	N/A	1,300 BTU

High Altitude Conversions

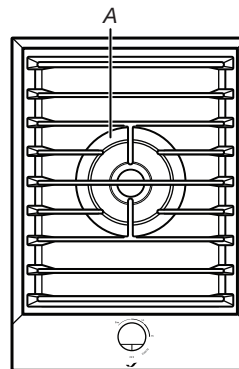
IMPORTANT: You must convert Propane gas with Propane gas High Altitude Kit Part Number W11035431 or Natural gas with Natural gas High Altitude Kit Part Number W11035432. If you need to convert Propane gas to Natural gas high altitude or Natural gas to Propane gas high altitude, you must convert the pressure regulator. For this, follow steps 1 through 3 of the necessary conversion.

Propane Gas Orifice Spud Chart for High Altitude Conversion

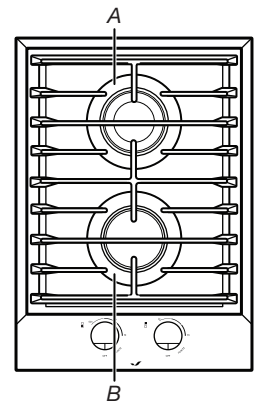
See chart in the Propane Gas High Altitude Conversion Instructions.

Burner Locations

15" (38.1 cm) Models

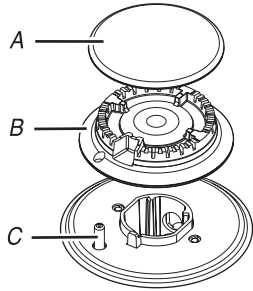


A. Center burner



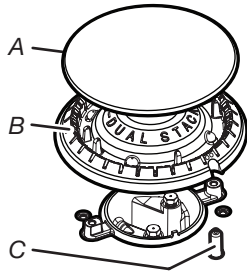
A. Rear burner
B. Front burner

6. Remove all burner caps and burner bases. Be sure to keep the cap and base for each burner together. This will assure that the cap and base are reinstalled on the proper burner.



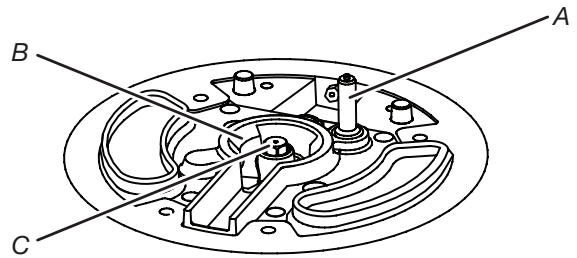
Single Burner

- A. Cap
- B. Spreader
- C. Electrode



Double Burner

- A. Cap
- B. Spreader
- C. Electrode



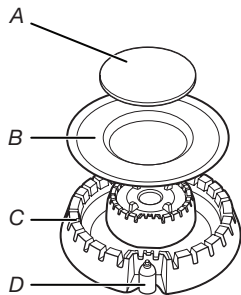
Dual Flame Burner

- A. Igniter electrode
- B. Orifice holder
- C. Orifice spud

IMPORTANT: Place Natural gas orifice spuds in plastic parts bag for future use and keep with package containing literature.

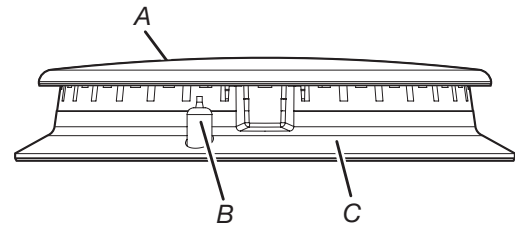
8. Replace burner bases and burner caps.

IMPORTANT: Be sure that the electrode aligns with the notch or hole in the burner base. The igniter electrode is ceramic and could break during installation of the burner base.



Dual Flame Burner

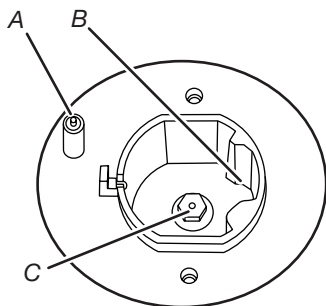
- A. Inner cap
- B. Outer cap
- C. Spreader
- D. Electrode



- A. Burner cap
- B. Electrode
- C. Burner base

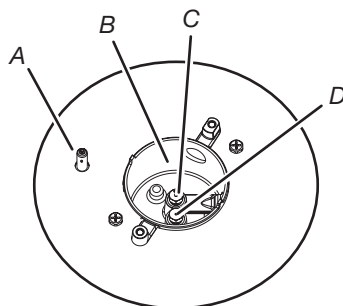
7. To convert burners:

- Insert 7.0 mm nut driver down onto the gas orifice spud (C) and remove by turning it counterclockwise and lifting out.
- Set gas orifice spud aside.
- Replace with correct Propane gas orifice spud. See the Propane Gas Orifice Spud Chart.



Standard Burner

- A. Igniter electrode
- B. Orifice holder
- C. Orifice spud



Double Burner

- A. Igniter electrode
- B. Orifice holder
- C. Orifice spud
- D. Orifice simmer

9. Open shut-off valve in the gas supply line. The valve is open when the handle is parallel to the gas pipe.

10. Once you have completed converting all of the cooktop burners, test the cooktop for leaks by brushing on an approved noncorrosive leak-detection solution. If bubbles appear, a leak is indicated. Correct any leaks found.

⚠ WARNING



Electrical Shock Hazard

Plug into a grounded 3 prong outlet.

Do not remove ground prong.

Do not use an adapter.

Do not use an extension cord.

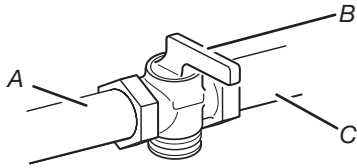
Failure to follow these instructions can result in death, fire, or electrical shock.

11. Plug in cooktop or reconnect power.

12. Adjust valve according to the "Low Flame Height Adjustment" section.

Convert from Propane Gas to Natural Gas

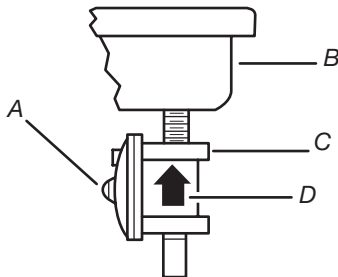
1. Turn manual shut-off valve to the closed position.



A. To cooktop
B. Shut-off valve (closed position)
C. Gas supply line

2. Unplug cooktop or disconnect power.

To Convert Gas Pressure Regulator



A. Access cap
B. Rear of cooktop
C. Gas pressure regulator
D. Gas flow

3. Determine the type of regulator you have:

Style 1: The cap has a slot and “LP” printed on it.

Remove access cap by using a flat-blade screwdriver or coin, turning the access cap counterclockwise.

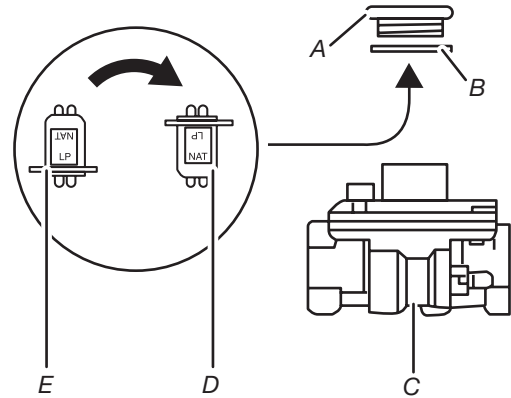
The gas pressure regulator has 2 settings that are stamped on either side of the cap. Turn the cap and reinstall into regulator with the stamp “NAT” visible from the outside of the regulator.



Style 2: The cap does not have a slot and requires a wrench to be removed.

Remove the access cap by using a wrench, turning the access cap counterclockwise.

Remove spring retainer from the cap by pushing against the flat side of the spring retainer. Look at the spring retainer to locate the “NAT” or “LP” position. Turn over the spring retainer so the “NAT” is showing on the bottom. Snap the spring retainer back into the cap. Reinstall the cap onto the regulator.



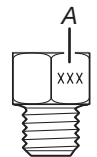
A. Access cap
B. Gasket
C. Gas pressure regulator
D. “NAT” position
E. “LP” position

4. If the burner grates are installed, remove them.

Use the following charts to match the correct gas orifice spud with the burner location and model being converted.

Natural Gas Orifice Spud Chart

Burner Rating	Stamp (A)	Size	Quantity
775 BTU*	80	0.80 mm	1
1,300 BTU**	53	0.53 mm	1
15,000 BTU	170	1.70 mm	2
20,000 BTU	200	2.00 mm	1



* Simmer orifice for the dual-ring wok burner
** Simmer orifice for the dual stack burner

Burner Models

Model No.	Front	Rear	Center	Simmer
JGC3115GS	N/A	N/A	20,000 BTU	775 BTU
JGC3215GS	15,000 BTU	15,000 BTU	N/A	1,300 BTU

High Altitude Conversions

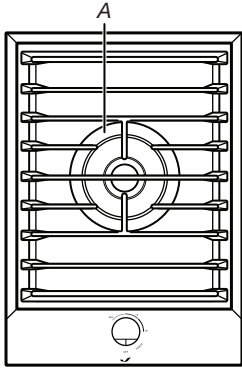
IMPORTANT: You must convert Propane gas with Propane gas High Altitude Kit Part Number W11035431 or Natural gas with Natural gas High Altitude Kit Part Number W11035432. If you need to convert Propane gas to Natural gas high altitude or Natural gas to Propane gas high altitude, you must convert the pressure regulator. For this, follow steps 1 through 3 of the necessary conversion.

Natural Gas Orifice Spud Chart for High Altitude Conversion

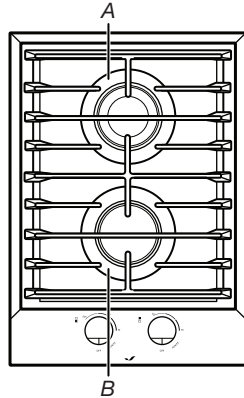
See chart in the Natural Gas High Altitude Conversion Instructions.

Burner Locations

15" (38.1 cm) Models

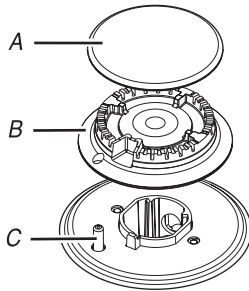


A. Center burner



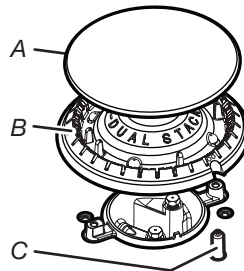
A. Rear burner
B. Front burner

5. Remove all burner caps and burner bases. Be sure to keep the cap and base for each burner together. This will assure that the cap and base are reinstalled on the proper burner.



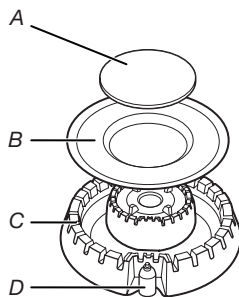
Single Burner

- A. Cap
B. Spreader
C. Electrode



Double Burner

- A. Cap
B. Spreader
C. Electrode

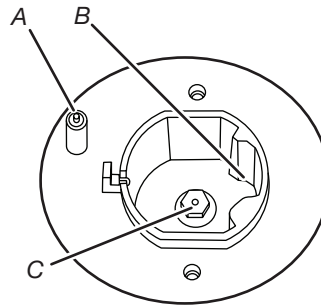


Dual Flame Burner

- A. Inner cap
B. Outer cap
C. Spreader
D. Electrode

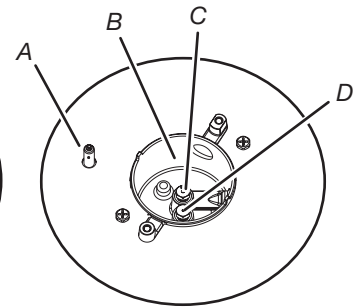
6. To convert burners:

- Insert 7.0 mm nut driver down onto the gas orifice spud (C) and remove by turning it counterclockwise and lifting out.
- Set gas orifice spud aside.
- Replace with correct Natural gas orifice spud. See the Natural Gas Orifice Spud Chart.



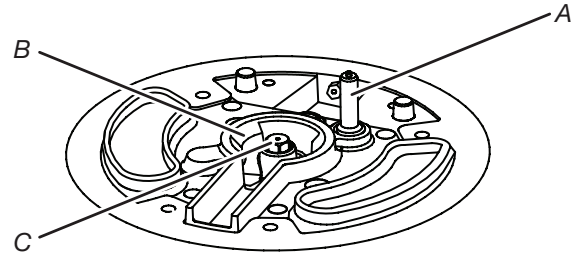
Standard Burner

- A. Igniter electrode
B. Orifice holder
C. Orifice spud



Double Burner

- A. Igniter electrode
B. Orifice holder
C. Orifice spud
D. Orifice simmer



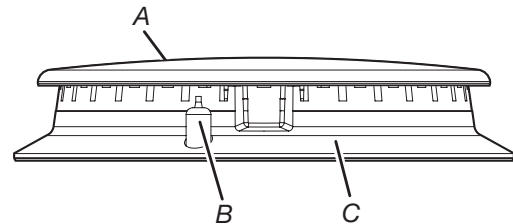
Dual Flame Burner

- A. Igniter electrode
B. Orifice holder
C. Orifice spud

IMPORTANT: Place Propane gas orifice spuds in plastic parts bag for future use and keep with package containing literature.

7. Replace burner bases and burner caps.

IMPORTANT: Be sure that the electrode aligns with the notch or hole in the burner base. The igniter electrode is ceramic and could break during installation of the burner base.



- A. Burner cap
B. Electrode
C. Burner base

8. Open shut-off valve in the gas supply line. The valve is open when the handle is parallel to the gas pipe.
9. Once you have completed converting all of the cooktop burners, test the cooktop for leaks by brushing on an approved noncorrosive leak-detection solution. If bubbles appear, a leak is indicated. Correct any leaks found.

⚠ WARNING



Electrical Shock Hazard

Plug into a grounded 3 prong outlet.

Do not remove ground prong.

Do not use an adapter.

Do not use an extension cord.

Failure to follow these instructions can result in death, fire, or electrical shock.

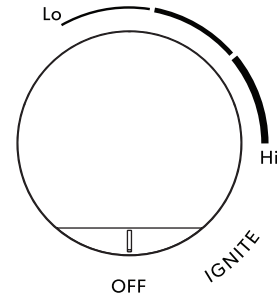
10. Plug in cooktop or reconnect power.
11. Adjust valve according to the “Low Flame Height Adjustment” section.

Lighting the Electronic Igniters

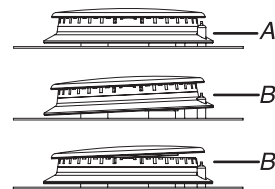
The cooktop burners use electronic igniters in place of standing pilots. When the cooktop control knob is pushed in and turned to Ignite, the system creates a spark to light the burner. This sparking continues until a flame is present.

To Check Operation of the Cooktop Burners:

1. Push in and turn knobs to IGNITE. The cooktop burner flame should light within 4 seconds. Turn the knobs to HI.



2. Turn the knobs to OFF.
3. Repeat steps 1 and 2 for the Lo and Simmer positions.
4. If a burner does not light properly, turn the control knob to OFF. Make sure the burner base and burner cap are in their proper position.



A. Correct
B. Incorrect

5. Check that the power supply cord is plugged in and circuit breaker has been tripped or household fuse has not blown.
6. Check that the shut-off valve is in the open position.
7. Check burner operation again.

If one or all of the burners do not light at this point, see the “Assistance or Service” section in the Use and Care Guide.

Low Flame Height Adjustment

Each burner flame has been factory set to the lowest position available to provide reliable and constant reignition of the burner. However, each burner can be adjusted.

For Propane gas conversion:

Tighten (clockwise) screw "C" snugly to set the minimum flame height. Do not adjust for a higher flame.

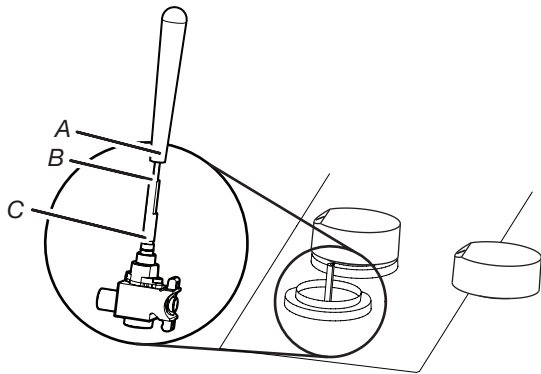
For Natural gas conversion:

Tighten (clockwise) screw "C" to reduce flame height. Loosen (counterclockwise) screw to increase flame height.

To Adjust:

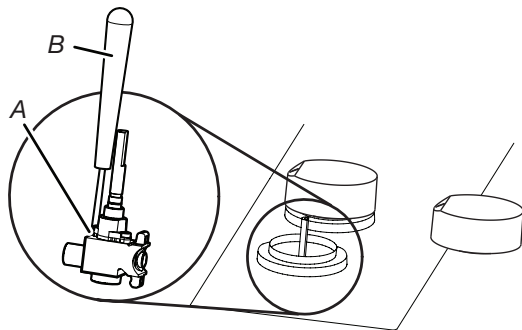
The flame can be adjusted using the adjustment screws underneath the control knob.

1. Set the burner flame to LO.
2. Remove the control knob.
3. For single valves, hold the knob stem with a pair of pliers. Use a $\frac{3}{32}$ " (#0 [2.0 mm]) flat-blade screwdriver to turn the screw located within the shaft of the control knob stem until the flame is the proper size.



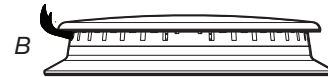
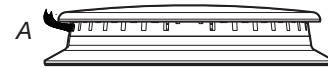
- A. $\frac{3}{32}$ " (2.0 mm) - #0 flat-blade screwdriver (shaft must be a minimum of $2\frac{1}{2}$ " [6.4 cm] long)
 B. Control knob stem opening
 C. Adjustment screw location

4. For the center burner dual valve, use a $\frac{3}{32}$ " (#0 [2.0 mm]) flat-blade screwdriver to turn the screw located on the bottom, upper surface of the valve until the flame is the proper size.



- A. Adjustment screw location
 B. $\frac{3}{32}$ " (2.0 mm) - #0 flat-blade screwdriver (shaft must be a minimum of $2\frac{1}{2}$ " [6.4 cm] long)

5. Replace the control knob.
6. Repeat steps 1 through 5 for each burner.
7. Check burner flame(s) for proper size and shape. The cooktop "low" burner flame should be a steady blue flame approximately $\frac{1}{4}$ " (6.4 mm) high.



Standard burner

- A. Low flame
 B. High flame



Dual flame burner

- A. Simmer flame
 B. High flame

8. Completely fill out the conversion label and attach label to bottom of the cooktop next to the rating tag. Do not cover the rating tag with the conversion label.
9. Save the orifices removed from the cooktop along with these instructions for future reference.

Read the "Sealed Surface Burners" section in the Use and Care Guide supplied with your cooktop.

SÉCURITÉ DE LA TABLE DE CUISSON

Votre sécurité et celle des autres est très importante.

Nous donnons de nombreux messages de sécurité importants dans ce manuel et sur votre appareil ménager. Assurez-vous de toujours lire tous les messages de sécurité et de vous y conformer.



Voici le symbole d'alerte de sécurité.

Ce symbole d'alerte de sécurité vous signale les dangers potentiels de décès et de blessures graves à vous et à d'autres.

Tous les messages de sécurité suivront le symbole d'alerte de sécurité et le mot "DANGER" ou "AVERTISSEMENT". Ces mots signifient :

⚠ DANGER

Risque possible de décès ou de blessure grave si vous ne suivez pas immédiatement les instructions.

⚠ AVERTISSEMENT

Risque possible de décès ou de blessure grave si vous ne suivez pas les instructions.

Tous les messages de sécurité vous diront quel est le danger potentiel et vous disent comment réduire le risque de blessure et ce qui peut se produire en cas de non-respect des instructions.

AVERTISSEMENT : Si les renseignements dans ces instructions ne sont pas exactement observés, un incendie ou une explosion peut survenir, causant des dommages au produit, des blessures ou un décès.

- Ne pas entreposer ni utiliser de l'essence ou d'autres vapeurs ou liquides inflammables à proximité de cet appareil ou de tout autre appareil électroménager.
- **QUE FAIRE DANS LE CAS D'UNE ODEUR DE GAZ :**
 - Ne pas tenter d'allumer un appareil.
 - Ne pas toucher à un commutateur électrique.
 - Ne pas utiliser le téléphone se trouvant sur les lieux.
 - Appeler immédiatement le fournisseur de gaz à partir du téléphone d'un voisin. Suivre ses instructions.
 - À défaut de joindre votre fournisseur de gaz, appeler les pompiers.
- L'installation et l'entretien doivent être effectués par un installateur qualifié, une agence de service ou le fournisseur de gaz.

AVERTISSEMENT : L'odorat ne permet pas toujours la détection d'une fuite de gaz.

Les distributeurs de gaz recommandent l'emploi d'un détecteur de gaz (homologation UL ou CSA).

Pour d'autre information, contacter le fournisseur de gaz local.

En cas de détection d'une fuite de gaz, exécuter les instructions "Que faire dans le cas d'une odeur de gaz".

Dans l'État du Massachusetts, les instructions d'installation suivantes sont applicables :

- Les travaux d'installation et réparation doivent être exécutés par un plombier ou tuyauteur qualifié ou licencié, ou par le personnel qualifié d'une entreprise licenciée par l'État du Massachusetts.
- Remplacer par des dispositifs de fermeture acceptables : Les robinets de gaz et robinets à bille installés pour l'utilisation devraient être indiqués.
- Si un conduit de raccordement flexible est utilisé, sa longueur ne doit pas dépasser 4 pi (121,9 cm).

Outillage et pièces

Rassembler les outils et composants nécessaires pour l'exécution correcte de la conversion pour l'alimentation au gaz propane.

Outillage nécessaire

- Tournevis à lame plate
- Tournevis à lame plate de $\frac{3}{32}$ " (#0 [2,0 mm]) (la longueur de la tige du tournevis doit être d'au moins $2\frac{1}{2}$ " [6,4 cm])
- Clé à molette
- Tourne-écrou de 7 mm
- Clé de 7 mm

Pièces fournies

- Gicleurs pour propane (W11027216)

Conversion pour altitude élevée

Pour convertir la table de cuisson pour l'utilisation à une altitude supérieure à 6 560 pi (1999,5 m), commander un ensemble de conversion pour altitude élevée.

- Produit numéro W11035431 - altitude élevée - propane
- Produit numéro W11035432 - altitude élevée - gaz naturel

Pour la commande, voir la section "Assistance ou service" dans le Guide d'utilisation et d'entretien.

IMPORTANT : L'opération de conversion de l'appareil pour l'alimentation au gaz propane au lieu de gaz naturel doit être exécutée par un installateur qualifié. Avant d'entreprendre la conversion, fermer l'arrivée de gaz avant d'interrompre l'alimentation électrique de l'appareil.

AVERTISSEMENT

Cet ensemble de conversion doit être installé par le personnel qualifié d'une agence de service en conformité avec les instructions du fabricant et les prescriptions de tous les codes en vigueur et des autorités juridictionnelles. Si les présentes instructions ne sont pas rigoureusement respectées, ceci peut provoquer un incendie, une explosion ou la génération de monoxyde de carbone provoquant des dommages corporels ou matériels, ou même la mort. La responsabilité de l'installation correcte de cet ensemble de conversion incombe au personnel qualifié d'une agence de service. L'installation n'est pas correcte et complète avant que le bon fonctionnement de l'appareil converti ait été vérifié sur la base des spécifications présentées dans les instructions du fabricant fournies avec cet ensemble de pièces.

⚠ AVERTISSEMENT



Risque d'explosion

Utiliser une canalisation neuve d'arrivée de gaz approuvée par la CSA International.

Installer un robinet d'arrêt.

Bien serrer chaque organe de connexion de la canalisation de gaz.

En cas de connexion au gaz propane, demander à une personne qualifiée de s'assurer que la pression de gaz ne dépasse pas 36 cm (14 po) de la colonne d'eau.

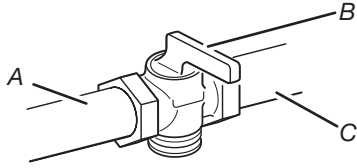
Par personne qualifiée, on comprend :

le personnel autorisé de chauffage,
le personnel autorisé d'une compagnie de gaz, et
le personnel d'entretien autorisé.

Le non-respect de ces instructions peut causer un décès, une explosion ou un incendie.

Conversion de gaz naturel à propane

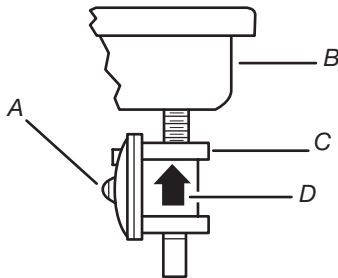
1. Fermer le robinet d'arrêt manuel.



- A. Vers table de cuisson
B. Robinet d'arrêt (position de fermeture)
C. Canalisation de gaz

2. Débrancher la table de cuisson ou déconnecter la source de courant électrique.

Conversion du détendeur



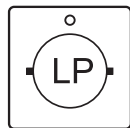
- A. Chapeau de l'ouverture d'accès
B. Arrière de la table de cuisson
C. Détendeur
D. Sens de circulation du gaz

3. Déterminer le type de détendeur :

Style 1 : Le chapeau comporte une rainure et la mention "NAT".

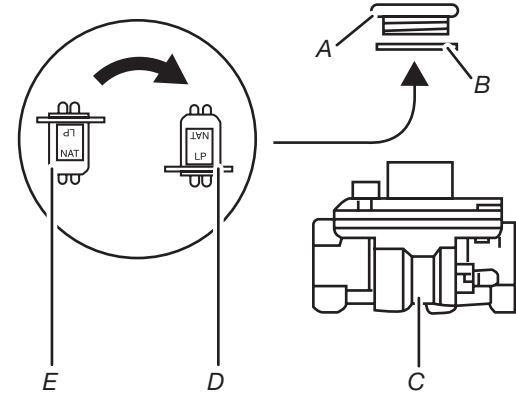
Utiliser un tournevis à lame plate ou une pièce de monnaie pour dévisser le chapeau de l'ouverture d'accès; faire tourner le chapeau dans le sens antihoraire.

Deux positions sont possibles pour le détendeur; l'information correspondante est gravée de chaque côté du chapeau. Orienter le chapeau correctement, et réinstaller le chapeau sur le détendeur; la mention "LP" doit être visible depuis l'extérieur du détendeur.



Style 2 : Le chapeau ne comporte pas de rainure; on doit utiliser une clé pour la dépose.

Utiliser une clé pour enlever le chapeau de l'ouverture d'accès; faire tourner le chapeau dans le sens antihoraire. Ôter le ressort de retenue qui se trouve sous le chapeau - pousser contre le côté plat du ressort de retenue. Examiner le ressort de retenue pour identifier la position "NAT" ou "LP". Orienter correctement le ressort de retenue pour que la mention "LP" soit au fond. Réinstaller le ressort de retenue dans le chapeau. Réinstaller le chapeau sur le détendeur.



- A. Chapeau de l'ouverture d'accès
B. Joint d'étanchéité
C. Détendeur
D. Position "LP"
E. Position "NAT"

4. Tester le détendeur et la canalisation de gaz.

On doit tester le détendeur sous une pression supérieure d'au moins 1" (2,5 cm) (colonne d'eau) à la pression de réglage. Pour le fonctionnement et le contrôle du réglage du détendeur, il faut que la pression d'admission au détendeur corresponde aux indications ci-dessous :

Gaz propane :

Pression minimum 10" (25,4 cm) (colonne d'eau)

Pression de service 14" (35,6 cm) (colonne d'eau)

Test de pressurisation de la canalisation de gaz

Pressurisation à une pression supérieure à 1/2 lb/po² (3,5 kPa) [14" (35,6 cm) - colonne d'eau]

Lors de tout test de pressurisation de ce système à une pression supérieure à 1/2 lb/po² (3,5 kPa), on doit déconnecter l'appareil et son robinet d'arrêt individuel de la canalisation de gaz.

Pressurisation à une pression relative de 1/2 lb/po² (3,5 kPa) [14" (35,6 cm) - colonne d'eau] ou moins

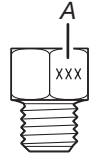
Lors de tout test de pressurisation de la canalisation de gaz à une pression égale ou inférieure à 1/2 lb/po² (3,5 kPa), on doit isoler l'appareil de la canalisation de gaz en fermant son robinet d'arrêt manuel individuel.

5. Enlever les grilles de brûleur si elles sont installées.

Dans les tableaux qui suivent, choisir le gicleur approprié selon le modèle de l'appareil et l'emplacement du brûleur à convertir.

Tableau des gicleurs pour propane

Puissance thermique	Empreinte (A)	Taille	Quantité
775 BTU*	50	0,50 mm	1
1 300 BTU**	41	0,41 mm	1
12 000 BTU	102	1,02 mm	2
16 000 BTU	102	1,02 mm	1



A. Empreinte de la taille

* Gicleur de mijotage du brûleur de wok à double cerclage

** Gicleur de mijotage du brûleur double

Modèle de brûleur

Modèle n°	Avant	Arrière	Central	Mijotage
JGC3115GS	NA	NA	16 000 BTU	775 BTU
JGC3215GS	12 000 BTU	12 000 BTU	NA	1 300 BTU

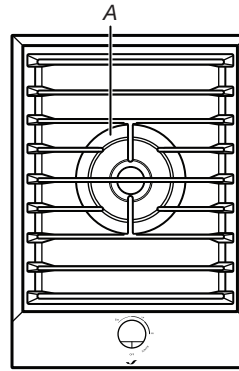
Conversions pour utilisation en haute altitude

IMPORTANT : Convertir le modèle au gaz propane avec l'ensemble pour gaz propane en haute altitude référence W11035431. Pour le modèle au gaz naturel, utiliser l'ensemble pour gaz naturel en haute altitude référence W11035432. Pour convertir un modèle au gaz propane en modèle au gaz naturel en haute altitude, ou un modèle au gaz naturel en un modèle au gaz propane en haute altitude, le détendeur doit être converti. Pour réaliser la conversion, suivre les étapes 1 à 3.

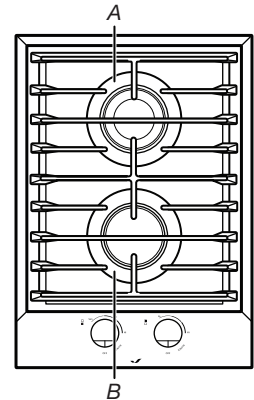
Tableau des gicleurs à gaz propane pour la conversion en haute altitude

Voir le tableau de la section "Ensemble pour conversion pour alimentation au propane/altitude élevée".

Positions des brûleurs Modèles de 15" (38,1 cm)

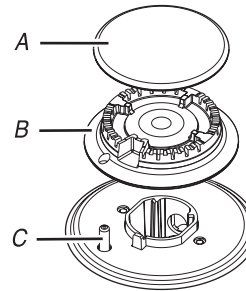


A. Brûleur central



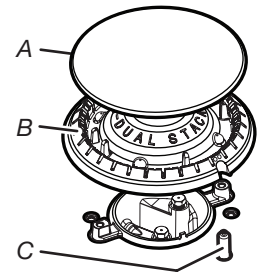
A. Brûleur arrière
B. Brûleur avant

6. Retirer les chapeaux et bases de tous les brûleurs. Veiller à conserver ensemble le chapeau et la base de chaque brûleur afin de s'assurer que le chapeau et la base seront bien installés sur le brûleur correct.



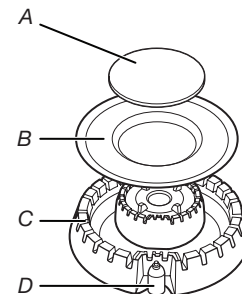
Brûleur simple

- A. Chapeau
- B. Répartiteur
- C. Électrode



Brûleur double

- A. Chapeau
- B. Répartiteur
- C. Électrode

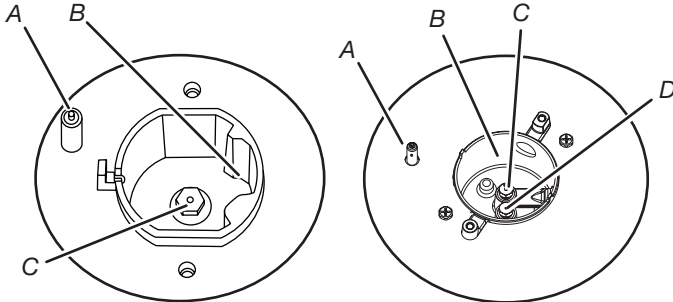


Brûleur à double flamme

- A. Chapeau interior
- B. Chapeau exterior
- C. Répartiteur
- D. Électrode

7. Pour convertir les brûleurs :

- Placer le tourne-écrou de 7,0 mm sur le gicleur (C); faire tourner dans le sens antihoraire et soulever pour enlever le gicleur.
- Conserver à part le gicleur du brûleur.
- Remplacer le gicleur par un gicleur pour gaz propane de taille correcte. Voir le Tableau de sélection des gicleurs pour gaz propane.

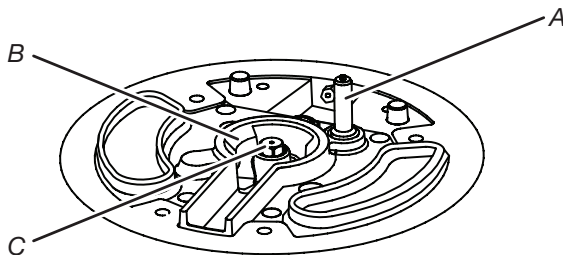


Brûleurs standard

- A. Électrode d'allumage
- B. Porte-gicleur
- C. Gicleur

Brûleur double

- A. Électrode d'allumage
- B. Porte-gicleur
- C. Gicleur
- D. Orifice pour mijotage



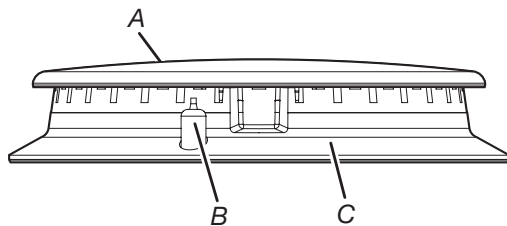
Brûleur à double flamme

- A. Électrode d'allumage
- B. Porte-gicleur
- C. Gicleur

IMPORTANT : Placer les gicleurs pour gaz naturel dans le sachet de pièces en plastique et les conserver avec le sachet de documentation, pour pouvoir les réutiliser ultérieurement.

8. Replacer les bases et chapeaux de brûleur.

IMPORTANT : Veiller à aligner l'électrode avec l'encoche ou le trou à la base du brûleur. L'électrode d'allumage est en céramique et peut se briser durant l'installation de la base du brûleur.



- A. Chapeau du brûleur
- B. Électrode
- C. Base du brûleur

9. Ouvrir le robinet d'arrêt de la canalisation de gaz. Le robinet est ouvert lorsque la poignée est parallèle au conduit d'alimentation en gaz.
10. Après avoir exécuté la conversion de chaque brûleur de la table de cuisson, effectuer un test de recherche des fuites en appliquant une solution homologuée (non corrosive) pour détection des fuites sur les connexions du circuit de gaz. L'apparition de bulles indique une fuite. Éliminer toute fuite détectée.

⚠ AVERTISSEMENT



Risque de choc électrique

Brancher sur une prise à 3 alvéoles reliée à la terre.

Ne pas enlever la broche de liaison à la terre.

Ne pas utiliser un adaptateur.

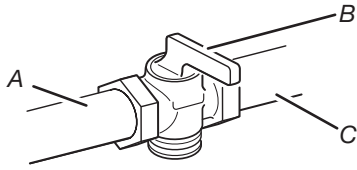
Ne pas utiliser un câble de rallonge.

Le non-respect de ces instructions peut causer un décès, un incendie ou un choc électrique.

11. Brancher la table de cuisson ou reconnecter la source de courant électrique.
12. Régler le robinet en suivant la section "Réglage pour le débit thermique minimum".

Conversion de propane à gaz naturel

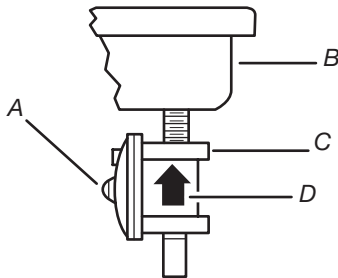
1. Fermer le robinet d'arrêt manuel.



- A. Vers table de cuisson
B. Robinet d'arrêt (position de fermeture)
C. Canalisation de gaz

2. Débrancher la table de cuisson ou déconnecter la source de courant électrique.

Conversion du détendeur



- A. Chapeau de l'ouverture d'accès
B. Arrière de la table de cuisson
C. Détendeur
D. Sens de circulation du gaz

3. Déterminer le type de détendeur :

Style 1 : Le chapeau comporte une rainure et la mention "LP".

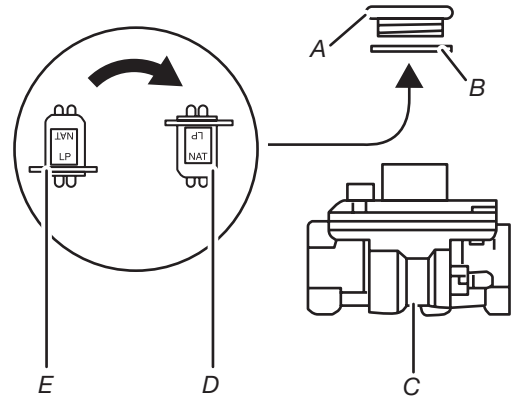
Utiliser un tournevis à lame plate ou une pièce de monnaie pour dévisser le chapeau de l'ouverture d'accès; faire tourner le chapeau dans le sens antihoraire.

Deux positions sont possibles pour le détendeur; l'information correspondante est gravée de chaque côté du chapeau. Orienter le chapeau correctement, et réinstaller le chapeau sur le détendeur; la mention "NAT" doit être visible depuis l'extérieur du détendeur.



Style 2 : Le chapeau ne comporte pas de rainure; on doit utiliser une clé pour la dépose.

Utiliser une clé pour enlever le chapeau de l'ouverture d'accès; faire tourner le chapeau dans le sens antihoraire. Ôter le ressort de retenue qui se trouve sous le chapeau en poussant contre le côté plat du ressort de retenue. Examiner le ressort de retenue pour identifier la position "NAT" ou "LP". Orienter correctement le ressort de retenue pour que la mention "NAT" soit au fond. Réinstaller le ressort de retenue dans le chapeau. Réinstaller le chapeau sur le détendeur.



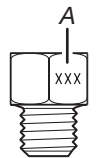
- A. Chapeau de l'ouverture d'accès
B. Joint d'étanchéité
C. Détendeur
D. Position "NAT"
E. Position "LP"

4. Enlever les grilles de brûleur si elles sont installées.

Dans les tableaux qui suivent, choisir le gicleur approprié selon le modèle de l'appareil et l'emplacement du brûleur à convertir.

Tableau des gicleurs pour gaz naturel

Puissance thermique	Empreinte (A)	Taille	Quantité
775 BTU*	80	0,80 mm	1
1 300 BTU**	53	0,53 mm	1
15 000 BTU	170	1,70 mm	2
20 000 BTU	200	2,00 mm	1



A. Empreinte de la taille

* Gicleur de mijotage du brûleur de wok à double cerclage

** Gicleur de mijotage du brûleur double

Modèles de brûleur

Modèle n°	Avant	Arrière	Central	Mijotage
JGC3115GS	NA	NA	20 000 BTU	775 BTU
JGC3215GS	15 000 BTU	15 000 BTU	NA	1 300 BTU

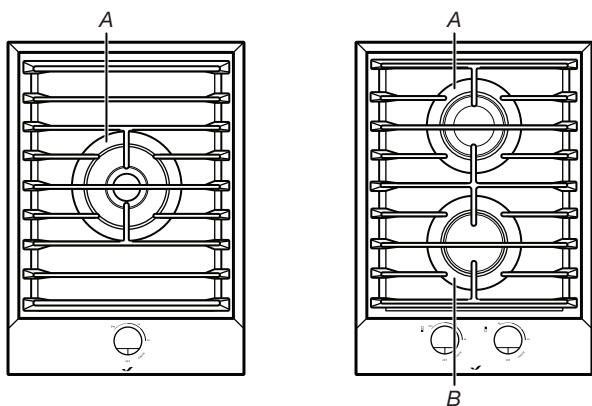
Conversions pour utilisation en haute altitude

IMPORTANT : Convertir le modèle au gaz propane avec l'ensemble pour gaz propane en haute altitude référence W11035431. Pour le modèle au gaz naturel, utiliser l'ensemble pour gaz naturel en haute altitude référence W11035432. Pour convertir un modèle au gaz propane en modèle au gaz naturel en haute altitude, ou un modèle au gaz naturel en un modèle au gaz propane en haute altitude, le détendeur doit être converti. Pour réaliser la conversion, suivre les étapes 1 à 3.

Tableau des gicleurs à gaz naturel pour la conversion en haute altitude

Voir le tableau de la section "Ensemble pour conversion au gaz naturel/altitude élevée".

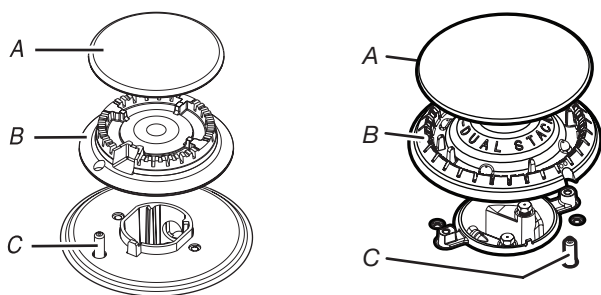
Positions des brûleurs Modèles de 15" (38,1 cm)



A. Brûleur central

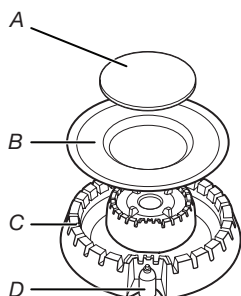
A. Brûleur arrière
B. Brûleur avant

5. Retirer les chapeaux et bases de tous les brûleurs. Veiller à conserver ensemble le chapeau et la base de chaque brûleur afin de s'assurer que le chapeau et la base seront bien installés sur le brûleur correct.



Brûleur simple
A. Chapeau
B. Répartiteur
C. Électrode

Brûleur double
A. Chapeau
B. Répartiteur
C. Électrode

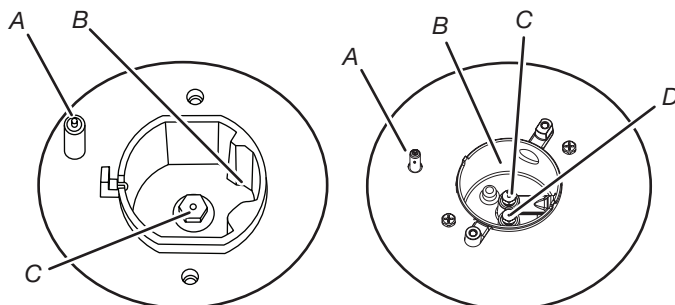


Brûleur à double flamme
A. Chapeau interior
B. Chapeau exterior

C. Répartiteur
D. Électrode

6. Pour convertir les brûleurs :

- Placer le tourne-écrou de 7,0 mm sur le gicleur (C); faire tourner dans le sens antihoraire et soulever pour enlever le gicleur.
- Conserver à part le gicleur du brûleur.
- Remplacer le gicleur par un gicleur pour gaz naturel de taille correcte. Voir le Tableau de sélection des gicleurs pour gaz naturel.

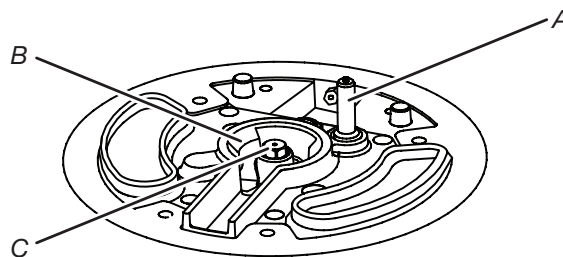


Brûleurs standard

- A. Électrode d'allumage
B. Porte-gicleur
C. Gicleur

Brûleur double

- A. Électrode d'allumage
B. Porte-gicleur
C. Gicleur
D. Orifice pour mijotage



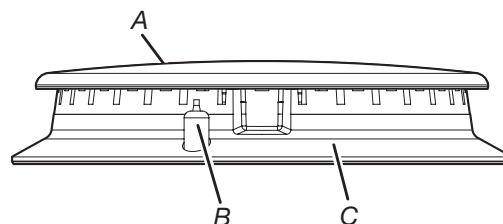
Brûleur à double flamme

- A. Électrode d'allumage
B. Porte-gicleur
C. Gicleur

IMPORTANT : Placer les gicleurs pour propane dans le sachet en plastique contenant les pièces et conserver le tout avec le sachet de documentation pour pouvoir le réutiliser ultérieurement.

7. Replacer les bases et chapeaux de brûleur.

IMPORTANT : Veiller à aligner l'électrode avec l'encoche ou le trou à la base du brûleur. L'électrode d'allumage est en céramique et peut se briser durant l'installation de la base du brûleur.



A. Chapeau du brûleur
B. Électrode
C. Base du brûleur

8. Ouvrir le robinet d'arrêt de la canalisation de gaz. Le robinet est ouvert lorsque la poignée est parallèle au conduit d'alimentation en gaz.
9. Après avoir exécuté la conversion de chaque brûleur de la table de cuisson, effectuer un test de recherche des fuites en appliquant une solution homologuée (non corrosive) pour détection des fuites sur les connexions du circuit de gaz. L'apparition de bulles indique une fuite. Éliminer toute fuite détectée.

⚠ AVERTISSEMENT



Risque de choc électrique

Brancher sur une prise à 3 alvéoles reliée à la terre.

Ne pas enlever la broche de liaison à la terre.

Ne pas utiliser un adaptateur.

Ne pas utiliser un câble de rallonge.

Le non-respect de ces instructions peut causer un décès, un incendie ou un choc électrique.

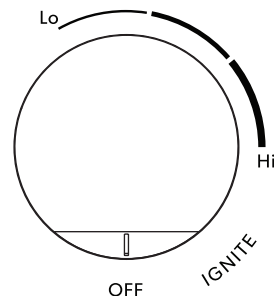
10. Brancher la table de cuisson ou reconnecter la source de courant électrique.
11. Régler le robinet en suivant la section "Réglage pour le débit thermique minimum".

Allumeurs électroniques - allumage

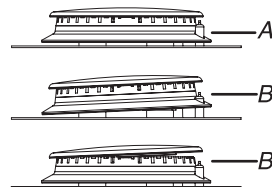
À la place de flammes de veille, les brûleurs de la table de cuisson sont dotés d'allumeurs électroniques. Lorsque l'utilisateur appuie sur le bouton de commande et le fait tourner jusqu'à Ignite (allumage), le système génère des étincelles pour l'inflammation du gaz sur le brûleur. Ces étincelles se produisent jusqu'à l'apparition d'une flamme.

Contrôle du fonctionnement des brûleurs de la table de cuisson :

1. Appuyer sur le bouton de commande et le tourner à IGNITE (allumage). La flamme doit apparaître sur le brûleur en moins de 4 secondes. Tourner le bouton de commande à HI (élevée).



2. Tourner le bouton de commande à OFF (arrêt).
3. Répéter les étapes 1 et 2 pour les positions Lo (réglage bas) et Simmer (mijotage).
4. Si le brûleur ne s'allume pas correctement, tourner le bouton de commande à OFF (arrêt). Vérifier que le chapeau de brûleur et la base de brûleur sont en position correcte.



A. Correct
B. Incorrect

5. Vérifier que le cordon d'alimentation électrique est branché, que le tableau de disjoncteurs ne s'est pas déclenché et qu'aucun fusible n'est grillé.
6. Vérifier que le robinet d'arrêt de la canalisation de gaz est ouvert.
7. Contrôler de nouveau le fonctionnement du brûleur.

Si l'un des brûleurs ne peut toujours pas s'allumer, voir la section "Assistance ou service" dans le Guide d'utilisation et d'entretien.

Réglage pour le débit thermique minimum

La flamme de chaque brûleur a été réglée en usine à la position la plus basse pour que le dispositif de réallumage du brûleur fonctionne constamment d'une manière fiable. Cependant, il est possible de régler chaque brûleur.

Conversion au gaz propane :

Serrer solidement la vis "C" dans le sens horaire pour régler la hauteur de flamme minimale. Ne pas régler sur une flamme plus haute.

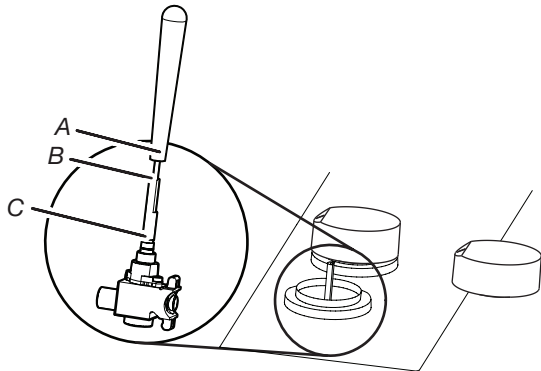
Conversion au gaz naturel :

Serrer la vis "C" dans le sens horaire pour réduire la hauteur de la flamme. Desserrer la vis dans le sens antihoraire pour augmenter la hauteur de flamme.

Réglage :

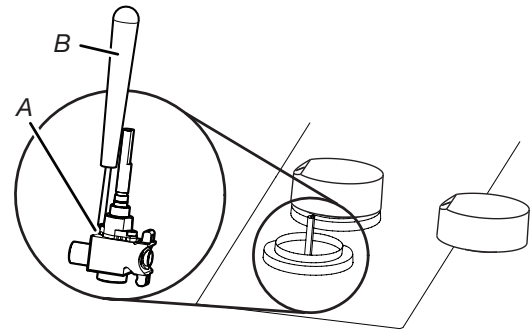
La taille des flammes peut être réglée à l'aide des vis de réglage situées sous le bouton de commande.

1. Régler la flamme du brûleur sur LO (réglage bas).
2. Ôter le bouton de commande.
3. Pour les robinets uniques, immobiliser la tige de commande avec une pince. Utiliser un tournevis à lame plate de $\frac{3}{32}$ " (#0 [2,0 mm]) pour faire tourner la vis située dans la tige du bouton de commande jusqu'à ce que la flamme atteigne la taille adéquate.



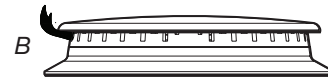
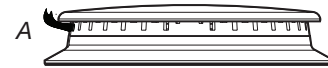
- A. Tournevis à lame plate de $\frac{3}{32}$ " (2,0 mm) n° 0 (la tige doit mesurer au moins $2\frac{1}{2}$ " [6,4 cm] de long)
 B. Orifice de la tige du bouton de commande
 C. Emplacement de la vis de réglage

4. Pour le robinet double du brûleur central, tourner la vis située sur la face supérieure du fond du robinet au moyen d'un tournevis à lame plate de $\frac{3}{32}$ " (n° 0 [2,0 mm]) jusqu'à ce que la flamme atteigne la taille adéquate.



- A. Emplacement de la vis de réglage
 B. Tournevis à lame plate de $\frac{3}{32}$ " (2,0 mm) n° 0 (la tige doit mesurer au moins $2\frac{1}{2}$ " [6,4 cm] de long)

5. Réinstaller le bouton de commande.
6. Répéter les étapes 1 à 5 pour chaque brûleur.
7. Contrôler la taille et la forme des flammes sur chaque brûleur. Pour le réglage au débit thermique minimum, on doit observer des flammes stables bleues de $\frac{1}{4}$ " (0,64 cm).



Brûleur standard

- A. Débit thermique minimum
 B. Débit thermique maximum



Brûleur à double flamme

- A. Flamme de mijotage
 B. Débit thermique maximum

8. Compléter l'étiquette de conversion; fixer l'étiquette sur le fond de la table de cuisson, à côté de la plaque signalétique. Ne pas recouvrir la plaque signalétique avec l'étiquette.
9. Conserver les gicleurs qui ont été retirés de la table de cuisson avec les présentes instructions, pour utilisation ultérieure.

Lire la section "Brûleurs de surface scellés" dans le Guide d'utilisation et d'entretien fourni avec la table de cuisson.

Notes

