

INSTALLATION INSTRUCTIONS 24", 30", AND 36" (61.0 CM, 76.2 CM, AND 91.4 CM) TOUCH-ACTIVATED ELECTRONIC INDUCTION COOKTOP

INSTRUCTIONS D'INSTALLATION TABLE DE CUISSON À INDUCTION AVEC COMMANDES ÉLECTRONIQUES TACTILES DE 24 PO, 30 PO ET 36 PO (61,0 CM, 76,2 CM ET 91,4 CM)

Table of Contents/Table des matières

COOKTOP SAFETY	1	SÉCURITÉ DE LA TABLE DE CUISSON	9
INSTALLATION REQUIREMENTS	3	EXIGENCES D'INSTALLATION	11
Tools and Parts.....	3	Outils et pièces.....	11
Location Requirements.....	3	Exigences d'emplacement.....	11
Electrical Requirements	5	Spécifications électriques.....	13
INSTALLATION INSTRUCTIONS	6	INSTRUCTIONS D'INSTALLATION	14
Prepare Cooktop for Installation	6	Préparation de la table de cuisson pour l'installation.....	14
Install Cooktop	6	Installation de la table de cuisson.....	14
Make Electrical Connection.....	7	Raccordement électrique.....	15
Complete Installation	8	Terminer l'installation.....	16

COOKTOP SAFETY

Your safety and the safety of others are very important.

We have provided many important safety messages in this manual and on your appliance. Always read and obey all safety messages.



This is the safety alert symbol.

This symbol alerts you to potential hazards that can kill or hurt you and others.

All safety messages will follow the safety alert symbol and either the word "DANGER" or "WARNING."

These words mean:

⚠ DANGER

You can be killed or seriously injured if you don't immediately follow instructions.

⚠ WARNING

You can be killed or seriously injured if you don't follow instructions.

All safety messages will tell you what the potential hazard is, tell you how to reduce the chance of injury, and tell you what can happen if the instructions are not followed.

IMPORTANT:

Save for local electrical inspector's use.

IMPORTANT :

Conserver ces instructions à l'usage de l'inspecteur des installations électriques local.

IMPORTANT SAFETY INSTRUCTIONS

WARNING: TO REDUCE THE RISK OF FIRE, ELECTRIC SHOCK, OR INJURY TO PERSONS, OBSERVE THE FOLLOWING:

- Use this unit only in the manner intended by the manufacturer. If you have questions, contact the manufacturer.
- Before servicing or cleaning the unit, switch power off at service panel and lock the service disconnecting means to prevent power from being switched on accidentally. When the service disconnecting means cannot be locked, securely fasten a prominent warning device, such as a tag, to the service panel.
- Installation work and electrical wiring must be done by qualified person(s) in accordance with all applicable codes and standards, including fire-rated construction.
- Do not operate any fan with a damaged cord or plug. Discard fan or return to an authorized service facility for examination and/or repair.
- Sufficient air is needed for proper combustion and exhausting of gases through the flue (chimney) of fuel burning equipment to prevent backdrafting. Follow the heating equipment manufacturer's guideline and safety standards such as those published by the National Fire Protection Association (NFPA), the American Society for Heating, Refrigeration and Air Conditioning Engineers (ASHRAE), and the local code authorities.
- When cutting or drilling into wall or ceiling, do not damage electrical wiring and other hidden utilities.
- Ducted fans must always be vented outdoors.

CAUTION: For general ventilating use only. Do not use to exhaust hazardous or explosive materials and vapors.

CAUTION: To reduce risk of fire and to properly exhaust air, be sure to duct air outside - do not vent exhaust air into spaces within walls or ceilings, attics or into crawl spaces, or garages.

WARNING: TO REDUCE THE RISK OF FIRE, USE ONLY METAL DUCTWORK.

WARNING: TO REDUCE THE RISK OF A RANGE TOP GREASE FIRE:

- Never leave surface units unattended at high settings. Boilovers cause smoking and greasy spillovers that may ignite. Heat oils slowly on low or medium settings.
- Always turn hood ON when cooking at high heat or when flambing food (i.e. Crepes Suzette, Cherries Jubilee, Peppercorn Beef Flambé).
- Clean ventilating fans frequently. Grease should not be allowed to accumulate on fan or filter.
- Use proper pan size. Always use cookware appropriate for the size of the surface element.

WARNING: TO REDUCE THE RISK OF INJURY TO PERSONS IN THE EVENT OF A RANGE TOP GREASE FIRE, OBSERVE THE FOLLOWING:^a

- SMOTHER FLAMES with a close fitting lid, cookie sheet, or metal tray, then turn off the burner. BE CAREFUL TO PREVENT BURNS. If the flames do not go out immediately, EVACUATE AND CALL THE FIRE DEPARTMENT.
- NEVER PICK UP A FLAMING PAN - you may be burned.
- DO NOT USE WATER, including wet dishcloths or towels - a violent steam explosion will result.
- Use an extinguisher ONLY if:
 - You know you have a class ABC extinguisher, and you already know how to operate it.
 - The fire is small and contained in the area where it started.
 - The fire department is being called.
 - You can fight the fire with your back to an exit.

^aBased on "Kitchen Fire Safety Tips" published by NFPA.

- **WARNING:** To reduce the risk of fire or electrical shock, do not use this fan with any solid-state speed control device.

READ AND SAVE THESE INSTRUCTIONS

INSTALLATION REQUIREMENTS

Tools and Parts

Gather the required tools and parts before starting installation. Read and follow the instructions provided with any tools listed here.

Tools Needed

- Tape measure
- Phillips screwdriver
- Flat-blade screwdriver
- Marker or pencil
- Pliers

Parts Supplied

Check that all parts are included.

- Cooktop assembly
- (2) Hold-down brackets
- (2) 1" (2.5 cm) clamping screws
- Foam tape seal
- Foam strip

Parts Needed

- (4) UL listed 22-6 AWG Twist on Connectors

Check local codes. Check existing electrical supply. See the "Electrical Requirements" section.

It is recommended that all electrical connections be made by a licensed, qualified electrical installer.

Location Requirements

IMPORTANT: Observe all governing codes and ordinances. When installing cooktop, use minimum dimensions given.

- The cooktop must be a specified cooktop that is approved to be installed either alone or over an undercounter built-in oven. Check the cooktop base for an approved installation label. If you do not find this label, contact your dealer to confirm that your cooktop is approved.
- To eliminate the risk of burns or fire by reaching over heated surface units, cabinet storage space located above the surface units should be avoided. If cabinet storage is to be provided, the risk can be reduced by installing a range hood that projects horizontally a minimum of 5" (12.7 cm) beyond the bottom of the cabinets.
- The cooktop must be installed in a level countertop.
- Ovens approved for this type of installation will have an approval label located on the top of the oven. If you do not find this label, contact your dealer to confirm that your oven is approved. Refer to oven manufacturer's Installation Instructions for approval for built-in undercounter use and proper cutout dimensions.
- The cooktop should be installed away from strong draft areas, such as windows, doors, fans, or strong heating vents. The cooktop should be located for convenient use in the kitchen.
- Use the countertop opening dimensions that are given with these Installation Instructions. Given dimensions are minimum clearances and provide 0" (0 cm) clearance.
- Grounded electrical supply is required. See the "Electrical Requirements" section.

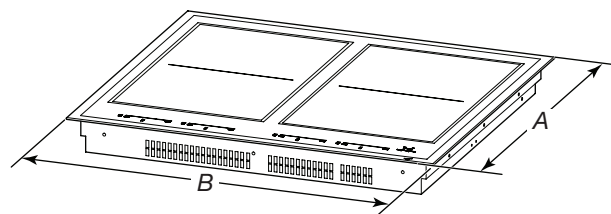
IMPORTANT: To avoid damage to your cabinets, check with your builder or cabinet supplier to make sure that the materials used will not discolor, delaminate, or sustain other damage. This cooktop has been designed in accordance with the requirements of UL and CSA International and complies with the maximum allowable wood cabinet temperatures of 194°F (90°C).

The model/serial/rating label is located on the bottom of the electrical junction box cover.

Product Dimensions

24" (61.0 cm) Cooktop (Model JIC4724HB, JIC4724HS)

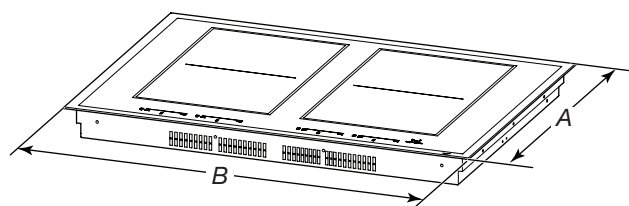
Top View



- A. 21" (53.3 cm)
- B. 24" (61.0 cm)

30" (76.2 cm) Cooktop (Model JIC4730HB, JIC4730HS)

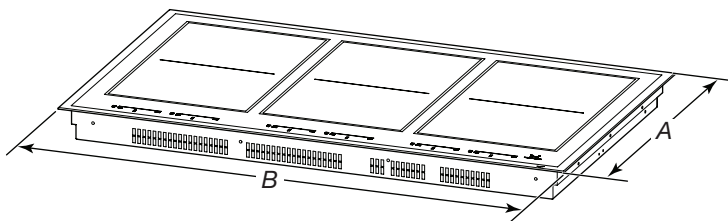
Top View



- A. 21" (53.3 cm)
- B. 30" (76.2 cm)

36" (91.4 cm) Cooktop (Model JIC4736HS, JIC4736HB)

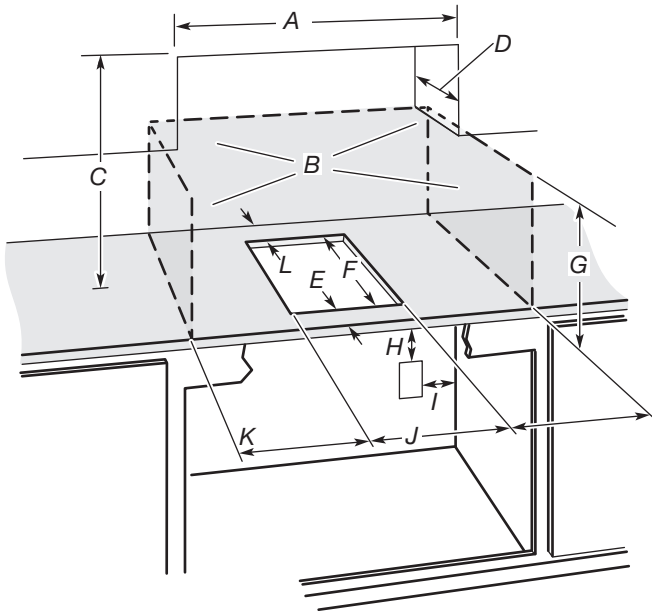
Top View



- A. 21" (53.3 cm)
- B. 36" (91.4 cm)

Cabinet Dimensions

IMPORTANT: If installing a range hood or microwave hood combination above the cooktop, follow the range hood or microwave hood combination installation instructions for dimensional clearances above the cooktop surface.



- A. Minimum upper cabinet width. See the "Standard Install Dimensions" table.
- B. Combustible area above countertop (shown by dashed box above)
- C. 30" (76.2 cm) minimum clearance between top of cooktop platform and bottom of uncovered wood or metal cabinet (24" [61.0 cm] minimum clearance if bottom of wood or metal cabinet is covered by not less than 1/4" [0.06 mm] flame retardant millboard covered with not less than No. 28 MSG sheet steel, 0.015" [0.04 cm] stainless steel, or 0.024" [0.06 cm] aluminum or 0.020" [0.05 cm] copper)
- D. 13" (33 cm) recommended upper cabinet depth
- E. 2⁵/₁₆" (5.9 cm) minimum distance to front countertop edge
- F. 20³/₁₆" (51.8 cm)
- G. 18" (45.7 cm) minimum clearance from upper cabinet to countertop within minimum horizontal clearances to cooktop
- H. Junction box or outlet: 7" (17.8 cm) minimum from top of countertop
- I. Junction box or outlet: 9" (23.0 cm) maximum from right side of cabinet
- J. See the "Standard Install Dimensions" Table
- K. 6" (15.2 cm) minimum side wall clearance
- L. 2⁵/₁₆" (5.9 cm) minimum distance to rear combustible surface

Standard Install Dimensions Table

NOTE: When pairing cooktops, this option is recommended only with stainless steel or framed cooktops.

Units	Upper Cabinet Width (A)	Cutout Width (J)
One 15" (38.1 cm) unit	15" (38.1 cm)	14 ³ / ₈ " (36.5 cm)
Two 15" (38.1 cm) units	30" (76.2 cm)	29 ³ / ₈ " (74.6 cm)
Three 15" (38.1 cm) units	45" (114.3 cm)	44 ⁷ / ₁₆ " (112.9 cm)
Four 15" (38.1 cm) units	60" (152.4 cm)	59 ⁷ / ₁₆ " (151.0 cm)
24" (61.0 cm) cooktop	24" (61.0 cm)	22 ³¹ / ₃₂ " (58.3 cm)
24" (61.0 cm) cooktop and one 15" (38.1 cm) unit	39" (99.1 cm)	38 ³ / ₁₆ " (97.0 cm)
24" (61.0 cm) cooktop and two 15" (38.1 cm) units	54" (137.2 cm)	53 ³ / ₈ " (135.6 cm)
30" (76.2 cm) cooktop	30" (76.2 cm)	28 ³¹ / ₃₂ " (73.6 cm)
30" (76.2 cm) cooktop and one 15" (38.1 cm) unit	45" (114.3 cm)	44 ³ / ₁₆ " (112.2 cm)
30" (76.2 cm) cooktop and two 15" (38.1 cm) units	60" (152.4 cm)	59 ³ / ₁₆ " (150.3 cm)
36" (91.4 cm) cooktop	36" (91.4 cm)	34 ³¹ / ₃₂ " (88.8 cm)
36" (91.4 cm) cooktop and one 15" (38.1 cm) unit	51" (129.5 cm)	50 ³ / ₁₆ " (127.5 cm)

NOTE: After making the countertop cutout, some installations may require notching down the base cabinet side walls to clear the cooktop base. To avoid this modification, use a base cabinet with sidewalls wider than the cutout.

If cabinet has a drawer, a 5¹/₂" (14.0 cm) depth clearance from the countertop to the top of the drawer (or other obstruction) in base cabinet is required.

Flush Installation Dimensions

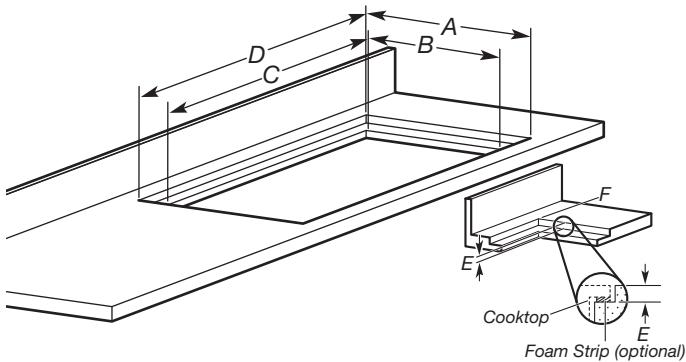
All cooktops can be mounted with a frameless standard installation sitting on top of the countertop surface or flush with the top of the countertop.

If the cooktop is to be mounted flush with the countertop, a recessed area surrounding the cooktop cutout must be provided with the following dimensions:

1. 11/64" (4.3 mm) recessed depth is needed for the SS Frame Model (see dimension E).
2. 7/32" (5.6 mm) recessed depth is needed for the Glass Model without a frame.

NOTE: This option is not recommended for countertops with a molded backsplash. Do not silicone seal in place.

Electrical Requirements



- A. Recessed area length $21\frac{3}{16}$ " (53.8 cm)
- B. Cutout length $20\frac{3}{8}$ " (51.8 cm)
- C. See the "Flush Install Dimension" table.
- D. See the "Flush Install Dimension" table.
- E. Recessed area depth $1\frac{1}{64}$ " (4.3 mm)
- F. Recessed area radius $\frac{5}{64}$ " (2.0 mm) maximum

Flush Install Dimension Table

Units	Recessed Area Width (D)	Cutout Width (C)
One 15" (38.1 cm) unit	$15\frac{1}{8}$ " (38.4 cm)	$14\frac{3}{8}$ " (36.5 cm)
Two 15" (38.1 cm) units	$30\frac{1}{8}$ " (76.5 cm)	$29\frac{3}{8}$ " (74.6 cm)
Three 15" (38.1 cm) units	$45\frac{1}{8}$ " (114.6 cm)	$44\frac{7}{16}$ " (112.9 cm)
Four 15" (38.1 cm) units	$60\frac{1}{8}$ " (152.7 cm)	$59\frac{7}{16}$ " (151.0 cm)
24" (61.0 cm) cooktop	$24\frac{1}{8}$ " (61.3 cm)	$23\frac{3}{8}$ " (59.4 cm)
24" (61.0 cm) and one 15" (38.1 cm) cooktop	$39\frac{1}{8}$ " (99.4 cm)	$38\frac{3}{16}$ " (97.0 cm)
24" (61.0 cm) and two 15" (38.1 cm) cooktop	$54\frac{1}{8}$ " (137.5 cm)	$53\frac{3}{8}$ " (135.6 cm)
30" (76.2 cm) cooktop	$30\frac{1}{8}$ " (76.5 cm)	$29\frac{3}{8}$ " (74.6 cm)
30" (76.2 cm) cooktop and one 15" (38.1 cm) unit	$45\frac{1}{8}$ " (114.6 cm)	$44\frac{3}{16}$ " (112.2 cm)
30" (76.2 cm) cooktop and two 15" (38.1 cm) units	$60\frac{1}{8}$ " (152.7 cm)	$59\frac{3}{8}$ " (150.8 cm)
36" (91.4 cm) cooktop	$36\frac{1}{8}$ " (91.8 cm)	$35\frac{3}{8}$ " (89.9 cm)
36" (91.4 cm) cooktop and one 15" (38.1 cm) unit	$51\frac{1}{8}$ " (129.9 cm)	$50\frac{3}{16}$ " (127.5 cm)

IMPORTANT: If multiple units are installed side by side, the mounting bridge kit W11031680 is needed for proper installation.

⚠ WARNING



Electrical Shock Hazard

Disconnect power before servicing.

Use 8 gauge copper wire.

Electrically ground cooktop.

Failure to follow these instructions can result in death, fire, or electrical shock.

If codes permit and a separate ground wire is used, it is recommended that a qualified electrical installer determine that the ground path and wire gauge are in accordance with local codes.

Check with a qualified electrical installer if you are not sure the cooktop is properly grounded.

Make sure that the electrical connection and wire size are adequate and in conformance with the National Electrical Code, ANSI/NFPA 70—latest edition or CSA Standards C22.1—94, Canadian Electrical Code, Part 1 and C22.2 No. O-M91—latest edition, and all local codes and ordinances.

A copy of the above code standards can be obtained from:

National Fire Protection Association
1 Batterymarch Park
Quincy, MA 02169-7471

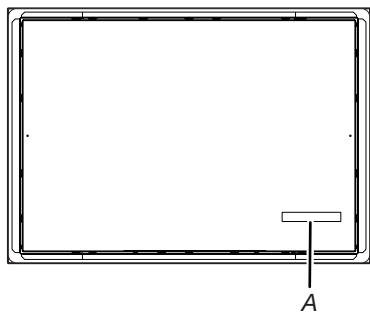
CSA International
8501 East Pleasant Valley Road
Cleveland, OH 44131-5575

Before You Make the Electrical Connection:

To properly install your cooktop, you must determine the type of electrical connection you will be using and follow the instructions provided for it here.

- A 3-wire or 4-wire, single phase, 240 V, 60 Hz, AC only electrical supply is required on a separate, 40 A for 24" (61.0 cm) and 30" (76.2 cm) models; 50 A for 36" (91.4 cm) model, 2-pole breaker, 240/208 V, 50/60 Hz AC supply circuit fused on both sides of the line. The model/serial/rating plate is located on the metal cabinet underneath the cooktop. See the following illustration.

NOTE: A separate 40 A [24" (61.0 cm) and 30" (76.2 cm) models] or 50 A [36" (91.4 cm) model] circuit fused on both sides of the line can be used for 40 A or 50 A, 2-pole breaker, 240/208 V, 50/60 Hz AC-supply.



A. Model/serial/rating plate

- The cooktop is rated 240/208 V.

- The cooktop should be connected directly to the junction box through flexible, conduit shielded wire. No alternative is permissible. The flexible, armored cable extending from the fuse box or circuit breaker box should be connected directly to the junction box.
- Locate the junction box to allow as much slack as possible between the junction box and the cooktop so that the cooktop can be moved if servicing becomes necessary in the future.
- Do not cut the conduit. Use the length of conduit provided.
- A UL Listed or CSA Approved conduit connector must be provided at each end of the power supply cable (at the cooktop and at the junction box). A listed conduit connector is already provided at the cooktop.
- If the house has aluminum wiring, follow the procedure below:
Connect the aluminum wiring using special connectors and/or tools designed and UL listed for joining copper to aluminum.

INSTALLATION INSTRUCTIONS

Prepare Cooktop for Installation

Write down the model and serial numbers before installing the cooktop. Both numbers are located on the center underside of the burner box.

Unpack the parts supplied with your cooktop. The parts shipped with the cooktop depend on the model ordered. See the "Tools and Parts" section for a complete list of parts supplied with the cooktop.

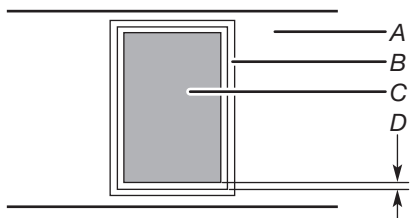
Decide on the final location for the cooktop. Locate existing wiring to avoid drilling into or severing wiring during installation.

1. Remove the foam strip from the hardware package. Remove the backing from the foam strip.

For countertop installations: Apply the foam strip with the adhesive side to the countertop within 1/16" (1.6 mm) of the edge of the cutout, front, back, and sides.

For flush installations: Apply the foam strip with the adhesive side to the bottom of the cutout recessed area. Save the excess foam strip for use with the mounting bridge kit.

NOTE: The foam strip helps keep the underside of the cooktop frame free from debris and helps the cooktop sit flat on uneven countertops. Do not silicone seal in place.



A. Countertop
B. Foam strip

C. Cutout
D. 1/16" (1.6 mm)

Install Cooktop

NOTE: For multi-unit installations, a mounting bridge kit is required. See the "Tools and Parts" section.

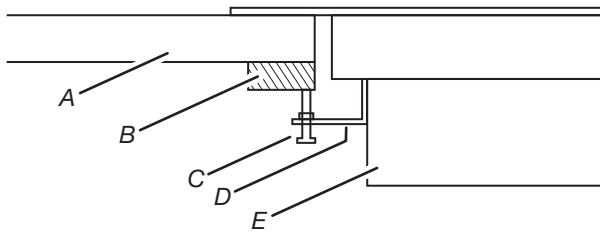
1. Install the cooktop into the countertop cutout by tilting one end of the cooktop into the cutout, then lowering the other end into the cutout.

NOTE: Make sure that the front edge of the cooktop is parallel to the front edge of the countertop. If repositioning is needed, lift the entire cooktop up to avoid scratching the countertop.

Install cooktop into countertop

1. Remove the two hold-down screws located in each side of the cooktop burner box.
2. Attach the two hold-down brackets to the burner box.
3. Install the cooktop into the countertop cutout by tilting one end of the cooktop into the cutout, then lowering the other end into the cutout.

4. Start the hold-down screws into the hold-down brackets.



- A. Countertop
 B. Wood block
 C. Hold-down screw
 D. Hold-down bracket
 E. Burner box

5. Center the cooktop in the opening and, using a wood block between the screw and the countertop, moderately tighten the screws to secure cooktop.

IMPORTANT: Do not tighten screws directly against the countertop.

Make Electrical Connection

⚠ WARNING



Electrical Shock Hazard

Disconnect power before servicing.

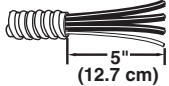
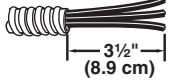
Use 8 gauge copper wire.

Electrically ground cooktop.

Failure to follow these instructions can result in death, fire, or electrical shock.

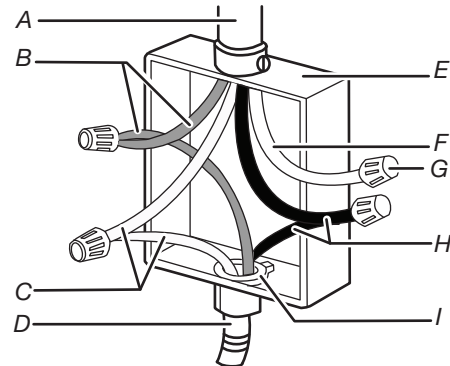
This cooktop is manufactured with a frame-connected green or bare ground wire. Connect the cooktop cable to the junction box through the UL Listed or CSA Approved conduit connector.

Electrical Connection Options

If Your Home Has:	And You Will Be Connecting to:	Go to Section:
4-wire direct 	A fused disconnect or circuit breaker box	4-Wire Cable from Home Power Supply
3-wire direct 	A fused disconnect or circuit breaker box	3-Wire Cable from Home Power Supply - U.S.A. Only

4-Wire Cable from Home Power Supply

IMPORTANT: Use the 4-wire cable from home power supply in the U.S.A. where local codes do not allow grounding through neutral, New Branch circuit installations (1996 NEC), mobile homes and recreational vehicles, New constructions, and in Canada.

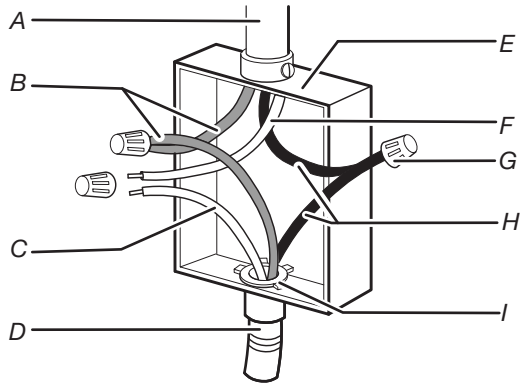


- A. Cable from home power supply
 B. Red wires
 C. Green (or bare) ground wires
 D. 3-wire cable from cooktop
 E. Junction box
 F. White wire (from home power supply)
 G. UL listed wire connector
 H. Black wires
 I. UL listed or CSA approved conduit connector with wire bushing

1. Disconnect power.
2. Remove junction box cover, if present.
3. Connect the 2 red wires (B) together using a UL listed wire connector.
4. Connect the green (or bare) ground wire (C) from the cooktop cable to the green (or bare) ground wire (in the junction box) using the UL listed wire connectors.
5. Put a UL listed wire connector on the end of the white wire (F).
NOTE: Do not connect the green (or bare) ground wire to the neutral (white) wire in the junction box.
6. Connect the 2 black wire (H) together using a UL listed wire connector.
7. Reinstall junction box cover.

3-Wire Cable from Home Power Supply - U.S.A. Only

IMPORTANT: Use the 3-wire cable from power supply where local codes permit connecting the frame-ground conductor to the neutral (white) junction box wire:



- | | |
|---|--|
| A. 3-wire cable from power supply | F. White wire (from home power supply) |
| B. Red wires | G. UL listed wire connector |
| C. Green (or bare) ground wire from cooktop | H. Black wires |
| D. 3-wire cable (from cooktop) | I. UL listed or CSA approved conduit connector with wire bushing |
| E. Junction box | |

1. Disconnect power.
2. Remove junction box cover, if present.
3. Connect the 2 red wires (B) together using a UL listed wire connector.
4. Connect the green (or bare) ground wire (C) from cooktop cable to the white (neutral) wire (F) in the junction box using a UL listed wire connector.
5. Connect the 2 black wire (H) together using a UL listed wire connector.
6. Reinstall junction box cover.

Complete Installation

1. Check that all parts are now installed. If there is an extra part, go back through the steps to see which step was skipped.
2. Check that you have all your tools.
3. Dispose of/recycle all packaging materials.
4. Use a mild solution of liquid household cleaner and warm water to clean cooktop before use. Dry thoroughly with a soft cloth. For more information, see the "Cooktop Care" section of the Use and Care Guide.
5. Read the "Cooktop Use" section in the cooktop Use and Care Guide.
6. Reconnect power.
7. Test the operation of the cooktop: verify that it heats and the control light illuminates in the Hi, Med, and Lo positions. Press OFF when done.

NOTE: If the cooktop does not work after turning on the power, check that a circuit breaker has not tripped or a household fuse has not blown. See the "Troubleshooting" section in the Use and Care Guide for further information.

If You Need Assistance or Service:

Please reference the "Assistance or Service" section of the Use and Care Guide.

SÉCURITÉ DE LA TABLE DE CUISSON

Votre sécurité et celle des autres est très importante.

Nous donnons de nombreux messages de sécurité importants dans ce manuel et sur votre appareil ménager. Assurez-vous de toujours lire tous les messages de sécurité et de vous y conformer.



Voici le symbole d'alerte de sécurité.

Ce symbole d'alerte de sécurité vous signale les dangers potentiels de décès et de blessures graves à vous et à d'autres.

Tous les messages de sécurité suivront le symbole d'alerte de sécurité et le mot "DANGER" ou "AVERTISSEMENT". Ces mots signifient :

 **DANGER**

Risque possible de décès ou de blessure grave si vous ne suivez pas immédiatement les instructions.

 **AVERTISSEMENT**

Risque possible de décès ou de blessure grave si vous ne suivez pas les instructions.

Tous les messages de sécurité vous diront quel est le danger potentiel et vous disent comment réduire le risque de blessure et ce qui peut se produire en cas de non-respect des instructions.

IMPORTANTES INSTRUCTIONS DE SÉCURITÉ

AVERTISSEMENT : POUR RÉDUIRE LE RISQUE D'INCENDIE, CHOC ÉLECTRIQUE OU DOMMAGES CORPORELS, RESPECTER LES INSTRUCTIONS SUIVANTES :

- Utiliser cet appareil uniquement dans les applications envisagées par le fabricant. Pour toute question, contacter le fabricant.
- Avant d'entreprendre un travail d'entretien ou de nettoyage, interrompre l'alimentation de la hotte au niveau du tableau de disjoncteurs, et verrouiller le tableau de disjoncteurs pour empêcher tout rétablissement accidentel de l'alimentation du circuit. Lorsqu'il n'est pas possible de verrouiller le tableau de disjoncteurs, placer sur le tableau de disjoncteurs une étiquette d'avertissement proéminente interdisant le rétablissement de l'alimentation.
- Tout travail d'installation ou câblage électrique doit être réalisé par une personne qualifiée, dans le respect des prescriptions de tous les codes et normes applicables, y compris les codes du bâtiment et de protection contre les incendies.
- Ne pas faire fonctionner un ventilateur dont le cordon ou la fiche est endommagé(e). Jeter le ventilateur ou le retourner à un centre de service agréé pour examen et/ou réparation.
- Une source d'air de débit suffisant est nécessaire pour le fonctionnement correct de tout appareil à gaz (combustion et évacuation des gaz à combustion par la cheminée), pour qu'il n'y ait pas de reflux des gaz de combustion. Respecter les directives du fabricant de l'équipement de chauffage et les prescriptions des normes de sécurité - comme celles publiées par la National Fire Protection Association (NFPA) et l'American Society for Heating, Refrigeration and Air Conditioning Engineers (ASHRAE), et les prescriptions des autorités réglementaires locales.
- Lors des opérations de découpage et de perçage dans un mur ou un plafond, ne pas endommager les câblages électriques et les canalisations qui peuvent s'y trouver.
- Les ventilateurs d'évacuation doivent toujours décharger l'air à l'extérieur.

MISE EN GARDE : Cet appareil est conçu uniquement pour la ventilation générale. Ne pas l'utiliser pour l'extraction de matières ou vapeurs dangereuses ou explosives.

MISE EN GARDE : Pour minimiser le risque d'incendie et évacuer adéquatement les gaz, veiller à acheminer l'air aspiré par un conduit jusqu'à l'extérieur - ne pas décharger l'air aspiré dans un espace vide du bâtiment comme une cavité murale, un plafond, un grenier, un vide sanitaire ou un garage.

AVERTISSEMENT : POUR RÉDUIRE LE RISQUE D'INCENDIE, UTILISER UNIQUEMENT DES CONDUITS MÉTALLIQUES.

AVERTISSEMENT : POUR MINIMISER LE RISQUE D'UN FEU DE GRAISSE SUR LA CUISINIÈRE :

- Ne jamais laisser un élément de surface fonctionner à puissance de chauffage maximale sans surveillance. Un renversement/débordement de matière grasseuse pourrait provoquer une inflammation et la génération de fumée. Utiliser une puissance de chauffage moyenne ou basse pour le chauffage d'huile.
- Veiller à toujours faire fonctionner le ventilateur de la hotte lors de la cuisson avec une puissance de chauffage élevée ou lors de la cuisson d'un mets à flamber (à savoir crêpes Suzette, cerise jubilee, steak au poivre flambé).
- Nettoyer fréquemment les ventilateurs d'extraction. Veiller à ne pas laisser la graisse s'accumuler sur les surfaces du ventilateur ou des filtres.
- Utiliser toujours un ustensile de taille appropriée. Utiliser toujours un ustensile adapté à la taille de l'élément chauffant.

AVERTISSEMENT : POUR RÉDUIRE LE RISQUE DE DOMMAGES CORPORELS APRÈS LE DÉCLENCHEMENT D'UN FEU DE GRAISSE SUR LA CUISINIÈRE, APPLIQUER LES RECOMMANDATIONS SUIVANTES :^a

- Placer sur le récipient un couvercle bien ajusté, une tôle à biscuits ou un plateau métallique POUR ÉTOUFFER LES FLAMMES, puis éteindre le brûleur. VEILLER À ÉVITER LES BRÛLURES. Si les flammes ne s'éteignent pas immédiatement, ÉVACUER LA PIÈCE ET APPELER LES POMPIERS.
- NE JAMAIS PRENDRE EN MAIN UN RÉCIPENT ENFLAMMÉ - vous risquez de vous brûler.
- NE PAS UTILISER D'EAU, ni un torchon humide - ceci pourrait provoquer une explosion de vapeur brûlante.
- Utiliser un extincteur SEULEMENT si :
 - Il s'agit d'un extincteur de classe ABC, dont on connaît le fonctionnement.
 - Il s'agit d'un petit feu encore limité à l'endroit où il s'est déclaré.
 - Les pompiers ont été contactés.
 - Il est possible de garder le dos orienté vers une sortie pendant l'opération de lutte contre le feu.

^aRecommandations tirées des conseils de sécurité en cas d'incendie de cuisine publiés par la NFPA.

- **AVERTISSEMENT** : Pour réduire le risque d'incendie ou de choc électrique, ne pas utiliser ce ventilateur avec un quelconque dispositif de réglage de la vitesse à semi-conducteurs.

LIRE ET CONSERVER CES INSTRUCTIONS

EXIGENCES D'INSTALLATION

Outils et pièces

Rassembler les outils et pièces nécessaires avant d'entreprendre l'installation. Lire et observer les instructions fournies avec chacun des outils de la liste ci-dessous.

Outils nécessaires

- Ruban à mesurer
- Tournevis cruciforme
- Tournevis à lame plate
- Marqueur ou crayon
- Pince

Pièces fournies

Vérifier que toutes les pièces sont présentes.

- Table de cuisson
- (2) brides de retenue
- (2) vis de fixation de 1 po (2,5 cm)
- Ruban-joint en mousse
- Bande de mousse

Pièces nécessaires

- (4) connecteurs 22-6 AWG homologué UL

Consulter les codes locaux. Vérifier l'alimentation électrique existante. Voir la section "Spécifications électriques".

Il est recommandé de faire réaliser tous les raccordements électriques par un électricien qualifié agréé.

Exigences d'emplacement

IMPORTANT : Observer les dispositions de tous les codes et règlements en vigueur. Lors de l'installation de la table de cuisson, utiliser les dimensions minimales indiquées.

- La table de cuisson doit être une table de cuisson spécifiée, et doit être approuvée pour une installation seule ou sur un four encastré sous comptoir. Vérifier que la base de la table de cuisson comporte une étiquette d'installation approuvée. Si vous ne trouvez pas cette étiquette, contactez votre vendeur pour confirmer que la table de cuisson est bien approuvée.
- Pour éliminer les risques de brûlure ou d'incendie en se penchant au-dessus d'une surface qui chauffe, il est déconseillé d'utiliser l'espace de rangement des armoires situées au-dessus de l'appareil. Si des armoires de rangement sont envisagées, le risque peut être réduit par l'installation d'une hotte de cuisinière dépassant le bas des armoires d'au moins 5 po (12,7 cm) horizontalement.
- La table de cuisson doit être installée dans un plan de travail qui est d'aplomb.
- Les fours homologués pour ce type d'installation comportent une étiquette d'homologation placée sur le dessus du four. Si vous ne trouvez pas cette étiquette, contactez votre marchand pour confirmer que le four est bien approuvé. Consulter les instructions d'installation du fabricant du four pour obtenir l'approbation de l'utilisation en encastrement et les dimensions correctes.
- La table de cuisson doit être installée à l'écart des zones de forts courants d'air, telles que les fenêtres, les portes et les événements ou les ventilateurs de chauffage puissants. La table de cuisson doit être installée à un endroit pratique dans la cuisine.

- Utiliser les dimensions d'ouverture du comptoir qui sont indiquées dans ces instructions d'installation. Les dimensions données sont les espacements minimaux et fournissent un dégagement de 0 po (0 cm).
- Une source d'électricité avec liaison à la terre est nécessaire. Voir la section "Spécifications électriques".

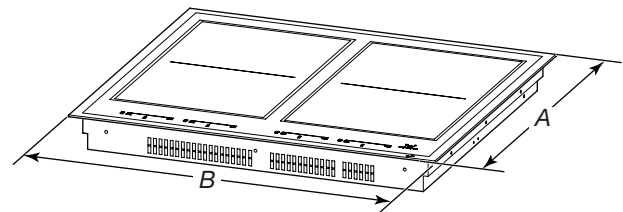
IMPORTANT : Pour éviter d'endommager les armoires, consulter le constructeur de la maison ou le fabricant des armoires pour déterminer si les matériaux utilisés peuvent subir un changement de couleur, une déstratification ou d'autres dommages. Cette table de cuisson a été conçue conformément aux exigences des normes UL et CSA International et respecte les températures maximales permises de 194 °F (90 °C) pour les armoires en bois.

La plaque signalétique des numéros de modèle et de série est située à la base du couvercle de la boîte de raccordement électrique.

Dimensions du produit

Table de cuisson de 24 po (61,0 cm) (modèles JIC4724HB et JIC4724HS)

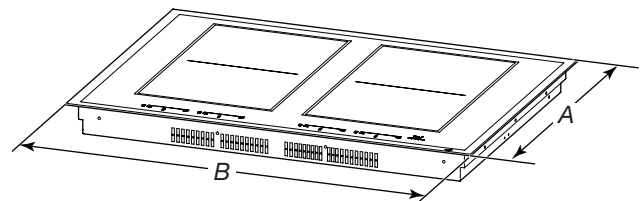
Vue de dessus



- A. 21 po (53,3 cm)
- B. 24 po (61,0 cm)

Table de cuisson de 30 po (76,2 cm) (modèles JIC4730HB et JIC4730HS)

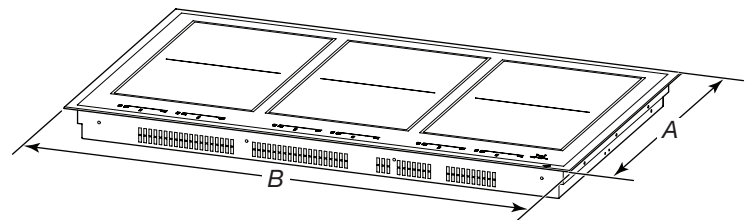
Vue de dessus



- A. 21 po (53,3 cm)
- B. 30 po (76,2 cm)

Table de cuisson de 36 po (91,4 cm) (modèles JIC4736HS et JIC4736HB)

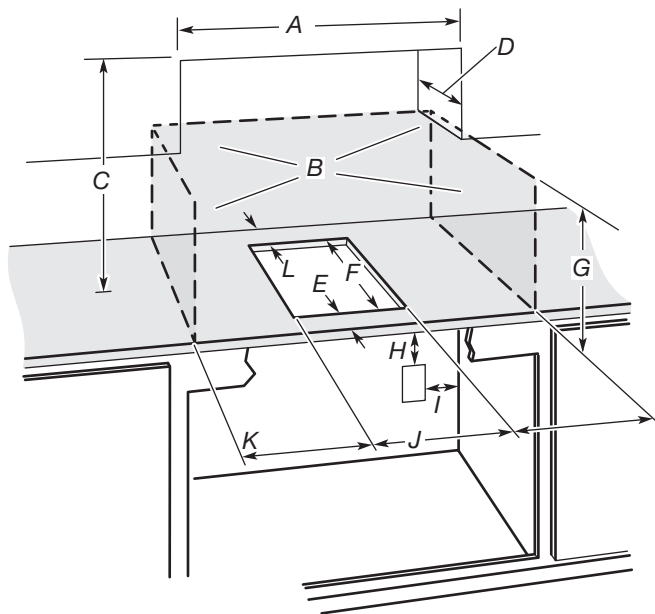
Vue de dessus



- A. 21 po (53,3 cm)
- B. 36 po (91,4 cm)

Dimensions de l'armoire

IMPORTANT : Si une hotte ou un ensemble hotte/micro-ondes est installé au-dessus de la table de cuisson, suivre les instructions d'installation fournies avec la hotte concernant les dimensions de dégagement à respecter au-dessus de la surface de la table de cuisson.



- A. Largeur minimale de l'armoire. Voir le tableau des "Dimensions d'installation standards".
- B. Zone de matière combustible au-dessus du plan de travail (espace délimité par des lignes pointillées ci-dessus)
- C. Distance minimale de séparation de 30 po (76,2 cm) entre le dessus de la table de cuisson et le fond d'une armoire métallique ou de bois non couvert (distance de séparation de 24 po [61,0 cm] ou plus si le fond de l'armoire de métal ou de bois est recouvert d'une plaque d'au moins 1/4 po [0,06 mm] de matériau résistant aux flammes, lui-même recouvert d'une feuille métallique d'une épaisseur correspondant à un calibre de 28 au moins pour l'acier, 0,015 po [0,04 cm] pour l'acier inoxydable, 0,024 po [0,06 cm] pour l'aluminium ou 0,020 po [0,05 cm] pour le cuivre)
- D. Profondeur recommandée pour les armoires supérieures : 13 po (33 cm)
- E. Distance minimum de 2 5/8 po (5,9 cm) jusqu'au bord avant du plan de travail
- F. 20 3/8 po (51,8 cm)
- G. Distance de séparation minimale de 18 po (45,7 cm) entre l'armoire supérieure et le plan de travail avec distance minimale de séparation horizontale pour la table de cuisson
- H. Boîtier de raccordement ou prise : 7 po (17,8 cm) minimum à partir du dessus du plan de travail
- I. Boîtier de connexion ou prise : 9 po (23,0 cm) maximum à partir de la droite de l'armoire
- J. Voir le tableau des "Dimensions d'installation standards"
- K. 6 po (15,2 cm) de dégagement minimum de la paroi latérale
- L. Distance minimum de 2 5/16 po (5,9 cm) avec la surface combustible arrière

Tableau des dimensions d'installation standards

REMARQUE : Lors du positionnement des tables de cuisson, cette option n'est recommandée que pour les tables de cuisson en acier inoxydable ou avec châssis.

Unités	Largeur de l'armoire supérieure (A)	Largeur de l'ouverture (J)
Une unité de 15 po (38,1 cm)	15 po (38,1 cm)	14 3/8 po (36,5 cm)
Deux unités de 15 po (38,1 cm)	30 po (76,2 cm)	29 3/8 po (74,6 cm)
Trois unités de 15 po (38,1 cm)	45 po (114,3 cm)	44 7/16 po (112,9 cm)
Quatre unités de 15 po (38,1 cm)	60 po (152,4 cm)	59 7/16 po (151,0 cm)
Table de cuisson de 24 po (61,0 cm)	24 po (61,0 cm)	22 31/32 po (58,3 cm)
Table de cuisson de 24 po (61,0 cm) et une unité de 15 po (38,1 cm)	39 po (99,1 cm)	38 3/16 po (97,0 cm)
Table de cuisson de 24 po (61,0 cm) et deux unités de 15 po (38,1 cm)	54 po (137,2 cm)	53 3/8 po (135,6 cm)
Table de cuisson de 30 po (76,2 cm)	30 po (76,2 cm)	28 31/32 po (73,6 cm)
Table de cuisson de 30 po (76,2 cm) et une unité de 15 po (38,1 cm)	45 po (114,3 cm)	44 3/16 po (112,2 cm)
Table de cuisson de 30 po (76,2 cm) et deux unités de 15 po (38,1 cm)	60 po (152,4 cm)	59 3/16 po (150,3 cm)
Table de cuisson de 36 po (91,4 cm)	36 po (91,4 cm)	34 31/32 po (88,8 cm)
Table de cuisson de 36 po (91,4 cm) et une unité de 15 po (38,1 cm)	51 po (129,5 cm)	50 3/16 po (127,5 cm)

REMARQUE : Après le découpage de l'ouverture dans le plan de travail, il est possible que pour certaines configurations d'installation, il soit nécessaire d'entailler les parois latérales de l'armoire inférieure pour permettre le passage de la base de la table de cuisson. Pour éviter cette modification, utiliser une armoire inférieure dont la largeur entre les parois latérales est supérieure à celle de l'ouverture découpée.

Si l'armoire comporte un tiroir, on devra ménager une distance de séparation de 5 1/2 po (14,0 cm) entre le plan de travail et le sommet du tiroir (ou autre obstruction) dans l'armoire inférieure.

Dimensions pour un panneau en affleurement

Toutes les tables de cuisson peuvent être montées en utilisant une installation standard sans châssis reposant sur la surface du comptoir ou affleurant avec le dessus du comptoir.

Si la table de cuisson doit être montée en affleurement avec le dessus de comptoir, une zone en retrait entourant la découpe de la table de cuisson doit être fournie selon les dimensions suivantes :

1. Un retrait d'une profondeur de 11/64 po (4,3 mm) est nécessaire pour le modèle avec châssis SS (voir la dimension E).
2. Un retrait d'une profondeur de 7/32 po (5,6 mm) est nécessaire pour le modèle en verre sans châssis.

REMARQUE : Cette option n'est pas recommandée pour les comptoirs avec dossier moulés. Ne pas sceller en place à l'aide de silicone.

Spécifications électriques

⚠ AVERTISSEMENT



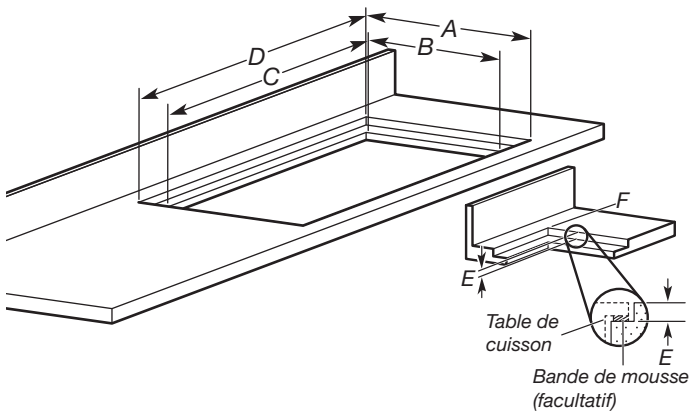
Risque de choc électrique

Déconnecter la source de courant électrique avant l'entretien.

Utiliser du fil en cuivre de calibre 8.

Relier la table de cuisson à la terre.

Le non-respect de ces instructions peut causer un décès, un incendie ou un choc électrique.



- A. Longueur de la zone de retrait de $21 \frac{3}{16}$ po (53,8 cm)
- B. Longueur de la découpe de $20 \frac{3}{8}$ po (51,8 cm)
- C. Voir le tableau des "Dimensions d'installation en affleurement".
- D. Voir le tableau des "Dimensions d'installation en affleurement".
- E. Profondeur de la zone de retrait de $11/64$ po (4,3 mm)
- F. Profondeur de la découpe de $5/64$ po (2,0 mm)

Tableau des dimensions d'installation en affleurement

Unités	Largeur de la zone en retrait (D)	Largeur de la découpe (C)
Une unité de 15 po (38,1 cm)	$15 \frac{1}{8}$ po (38,4 cm)	$14 \frac{3}{8}$ po (36,5 cm)
Deux unités de 15 po (38,1 cm)	$30 \frac{1}{8}$ po (76,5 cm)	$29 \frac{3}{8}$ po (74,6 cm)
Trois unités de 15 po (38,1 cm)	$45 \frac{1}{8}$ po (114,6 cm)	$44 \frac{7}{16}$ po (112,9 cm)
Quatre unités de 15 po (38,1 cm)	$60 \frac{1}{8}$ po (152,7 cm)	$59 \frac{7}{16}$ po (151,0 cm)
Table de cuisson de 24 po (61,0 cm)	$24 \frac{1}{8}$ po (61,3 cm)	$23 \frac{3}{8}$ po (59,4 cm)
Tables de cuisson de 24 po (61,0 cm) et 15 po (38,1 cm)	$39 \frac{1}{8}$ po (99,4 cm)	$38 \frac{3}{16}$ po (97,0 cm)
Une table de cuisson de 24 po (61,0 cm) et deux de 15 po (38,1 cm)	$54 \frac{1}{8}$ po (137,5 cm)	$53 \frac{3}{8}$ po (135,6 cm)
Tables de cuisson de 30 po (76,2 cm)	$30 \frac{1}{8}$ po (76,5 cm)	$29 \frac{3}{8}$ po (74,6 cm)
Table de cuisson de 30 po (76,2 cm) et une unité de 15 po (38,1 cm)	$45 \frac{1}{8}$ po (114,6 cm)	$44 \frac{3}{16}$ po (112,2 cm)
Table de cuisson de 30 po (76,2 cm) et deux unités de 15 po (38,1 cm)	$60 \frac{1}{8}$ po (152,7 cm)	$59 \frac{3}{8}$ po (150,8 cm)
Table de cuisson de 36 po (91,4 cm)	$36 \frac{1}{8}$ po (91,8 cm)	$35 \frac{3}{8}$ po (89,9 cm)
Table de cuisson de 36 po (91,4 cm) et une unité de 15 po (38,1 cm)	$51 \frac{1}{8}$ po (129,9 cm)	$50 \frac{3}{16}$ po (127,5 cm)

IMPORTANT : Si plusieurs unités sont installées côte à côte, la trousse d'étrier de montage W11031680 est requise pour une installation appropriée.

Si l'on utilise un conducteur distinct de liaison à la terre lorsque les codes le permettent, il est recommandé qu'un électricien qualifié vérifie que la liaison à la terre et le calibre des conducteurs sont conformes aux codes locaux.

Vérifier auprès d'un électricien qualifié si vous avez des doutes quant à la qualité de la liaison à la terre de la table de cuisson.

S'assurer que la connexion électrique et le calibre des fils sont appropriés et conformes au National Electrical Code, à la norme ANSI/NFPA 70 – dernière édition, ou à la norme CSA C22.1-94, au Code canadien de l'électricité, Partie 1 et C22.2 No O-M91 – dernière édition, et à tous les codes et règlements locaux.

Pour obtenir un exemplaire des normes des codes ci-dessus, contacter :

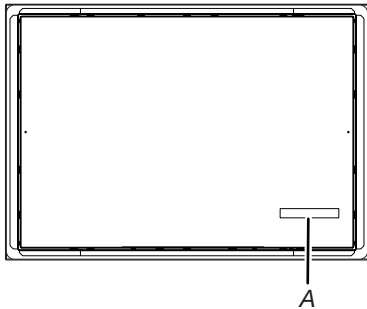
National Fire Protection Association
1 Batterymarch Park
Quincy, MA 02169-7471
CSA International
8501 East Pleasant Valley Road
Cleveland, OH 44131-5575

Avant d'établir la connexion électrique :

Pour installer la table de cuisson correctement, il faut établir le type de raccords électriques que l'on utilisera et suivre les instructions indiquées ici.

- Une alimentation électrique monophasée de 240 V CA à 60 Hz seulement avec 3 ou 4 conducteurs est requise sur un circuit séparé avec protection aux deux extrémités de la ligne par disjoncteur de 40 A pour les modèles de 24 po (61,0 cm) et de 30 po (76,2 cm); et disjoncteur de 50 A pour les modèles de 36 po (91,4 cm), 2 pôles, 240/208 V CA 50/60 Hz. La plaque signalétique est située sur l'armoire métallique, sous la table de cuisson. Voir l'illustration suivante.

REMARQUE : Un circuit séparé avec protection aux deux extrémités par disjoncteur de 40 A (modèles de 24 po [61,0 cm] et de 30 po [76,2 cm]) ou 50 A (36 po [91,4 cm]) peut être utilisé pour les disjoncteurs de 40 A ou 50 A à 2 pôles, 240/208 V CA, 50/60 Hz.



A. Plaque signalétique du numéro de modèle et de série

- La capacité nominale de la table de cuisson est de 240/208 V.

- La table de cuisson doit être raccordée directement au boîtier de connexion par l'intermédiaire d'un câble flexible blindé. Aucune autre option n'est possible. Le câble blindé flexible sortant du boîtier de distribution (fusible ou disjoncteur) doit être raccordé directement au boîtier de connexion.
- Placer le boîtier de connexion pour laisser le plus de jeu possible entre celui-ci et la table de cuisson pour pouvoir déplacer la table de cuisson en cas de besoin de réparation à l'avenir.
- Ne pas couper le conduit. Utiliser toute la longueur du conduit fourni.
- Un connecteur de conduit homologué UL ou CSA doit être fourni à chaque extrémité du câble d'alimentation électrique (à la table de cuisson et à la boîte de connexion). Un connecteur de conduit homologué est déjà fourni à la table de cuisson.
- Si le domicile possède un câblage en aluminium, suivre la procédure ci-dessous :
Connecter le câblage en aluminium en utilisant des connecteurs ou des outils spécialement conçus et homologués UL pour raccorder le cuivre à l'aluminium.

INSTRUCTIONS D'INSTALLATION

Préparation de la table de cuisson pour l'installation

Prendre note des numéros de modèle et de série avant d'installer la table de cuisson. Les deux numéros sont situés sur la partie inférieure centrale de la boîte des brûleurs.

Déballer les pièces fournies avec la table de cuisson. Les pièces expédiées avec la table de cuisson dépendent du modèle commandé. Voir la section "Outils et pièces" pour une liste complète des pièces fournies avec la table de cuisson.

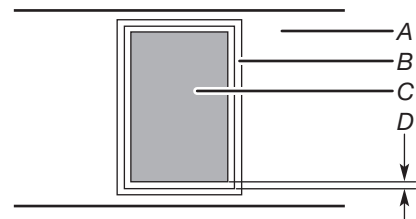
Déterminer l'emplacement final de la table de cuisson. Repérer le câblage existant pour éviter de le percer ou de l'endommager lors de l'installation.

1. Découper la bande de mousse de la trousse de quincaillerie. Retirer l'excédent de la bande de mousse.

Pour les installations sur le comptoir : Appliquer le côté adhésif de la bande de mousse sur le plan de travail à 1/16 po (1,6 mm) près des bords de l'ouverture (avant, arrière et côtés).

Pour les installations en affleurement : Appliquer le côté adhésif de la bande de mousse sur le bas de l'ouverture en retrait. Conserver l'excédent de bande de mousse aux fins d'utilisation avec la trousse d'étrier de montage.

REMARQUE : La bande de mousse protège la face inférieure du cadre de la table de cuisson de tout résidu et permet à la table de cuisson de reposer à plat sur des plans de travail irréguliers. Ne pas sceller en place à l'aide de silicone.



A. Plan de travail
B. Bande de mousse
C. Ouverture
D. 1/16 po (1,6 mm)

Installation de la table de cuisson

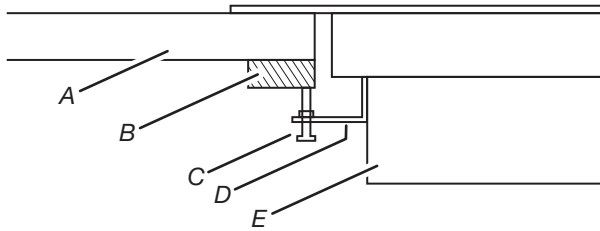
REMARQUE : Dans le cas de l'installation de plusieurs unités, une trousse d'étrier de montage est requise. Voir la section "Outils et pièces".

1. Installer la table de cuisson dans l'ouverture du plan de travail en inclinant une extrémité de la table de cuisson dans l'ouverture, puis en abaissant l'autre extrémité dans l'ouverture.

REMARQUE : S'assurer que le bord avant de la table de cuisson est parallèle au bord avant du comptoir. S'il est nécessaire de repositionner la table de cuisson, la soulever entièrement pour éviter de rayer le plan de travail.

Installation de la table de cuisson à l'intérieur du plan de travail

1. Ôter les deux vis de retenue situées de chaque côté du logement des brûleurs de la table de cuisson.
2. Fixer les deux brides de retenue à la boîte des brûleurs.
3. Installer la table de cuisson dans l'ouverture du plan de travail en inclinant une extrémité de la table de cuisson dans l'ouverture, puis en abaissant l'autre extrémité dans l'ouverture.
4. Engager les vis de retenue dans les brides de retenue.



- A. Plan de travail
B. Cale de bois
C. Vis de retenue
D. Brides de retenue
E. Logement du brûleur

5. Centrer la table de cuisson dans l'ouverture et, en utilisant une cale en bois entre la vis et le plan de travail, serrer modérément les vis pour fixer la table de cuisson.

IMPORTANT : Ne pas serrer les vis directement contre le plan de travail.

Raccordement électrique

⚠ AVERTISSEMENT



Risque de choc électrique

Déconnecter la source de courant électrique avant l'entretien.

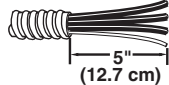
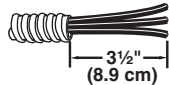
Utiliser du fil en cuivre de calibre 8.

Relier la table de cuisson à la terre.

Le non-respect de ces instructions peut causer un décès, un incendie ou un choc électrique.

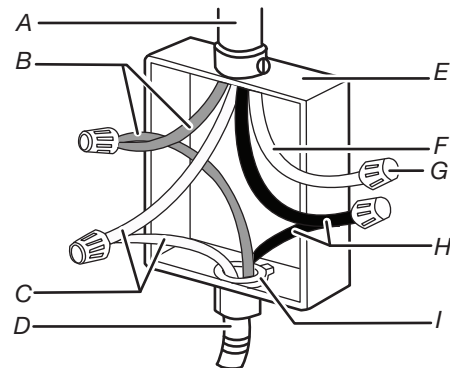
Un conducteur vert ou nu de liaison à la terre est connecté au châssis de la table de cuisson lors de la fabrication. Raccorder le câble de la table de cuisson au boîtier de connexion à l'aide du connecteur de conduit homologué UL ou CSA.

Options de raccordement électrique

Si le domicile comporte :	Et que le point de distribution est :	Voir la section :
Direct – 4 fils 	Disjoncteur ou coupe-circuit avec fusible	Câble à 4 conducteurs depuis l'alimentation électrique du domicile
Direct – 3 fils 	Disjoncteur ou coupe-circuit avec fusible	Câble à 3 conducteurs depuis l'alimentation électrique du domicile – É.-U. seulement

Câble à 4 conducteurs depuis l'alimentation électrique du domicile

IMPORTANT : Utiliser le câble à 4 conducteurs provenant de l'alimentation électrique du domicile aux États-Unis lorsque les codes ne permettent pas la mise à la terre par l'intermédiaire du conducteur neutre, en cas de nouvelle installation avec alimentation par un circuit secondaire (1996 NEC), dans les résidences mobiles et les véhicules récréatifs, dans une nouvelle construction et au Canada.

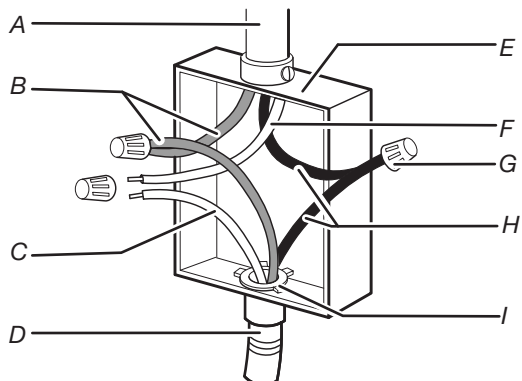


- A. Câble depuis l'alimentation électrique du domicile
B. Conducteurs rouges
C. Conducteurs verts (ou nus) de liaison à la terre
D. Câble à 3 conducteurs depuis la table de cuisson
E. Boîtier de connexion
F. Conducteur blanc (depuis l'alimentation électrique du domicile)
G. Connecteur de fil (homologation UL)
H. Conducteurs noirs
I. Connecteur de conduit (homologation UL ou CSA) avec passe-fils

1. Déconnecter la source de courant électrique.
2. Enlever le couvercle du boîtier de connexion, le cas échéant.
3. Connecter ensemble les 2 conducteurs rouges (B) avec un capuchon de connexion (homologation UL).
4. Connecter le conducteur vert (ou nu) de liaison à la terre (C) du câble de la table de cuisson avec le conducteur vert (ou nu) de liaison à la terre (dans le boîtier de connexion) avec les capuchons de connexion (homologation UL).
5. Placer un capuchon de connexion (homologation UL) à l'extrémité du conducteur blanc (F).
REMARQUE : Ne pas connecter le conducteur vert (ou nu) de liaison à la terre au conducteur neutre (blanc) dans le boîtier de connexion.
6. Connecter ensemble les 2 conducteurs noirs (H) avec un capuchon de connexion (homologation UL).
7. Réinstaller le couvercle du boîtier de connexion.

Câble à 3 conducteurs depuis l'alimentation électrique du domicile – E.-U. seulement

IMPORTANT : Utiliser le câble à 3 conducteurs depuis le point de distribution lorsque les codes locaux en vigueur permettent le raccordement entre le conducteur de liaison à la terre du châssis et le conducteur neutre (blanc) dans le boîtier de connexion :



- | | |
|---|--|
| A. Câble à 3 conducteurs depuis l'alimentation électrique | F. Conducteur blanc (depuis l'alimentation électrique du domicile) |
| B. Conducteurs rouges | G. Connecteur de fil (homologation UL) |
| C. Conducteur vert (ou nu) de liaison à la terre depuis la table de cuisson | H. Conducteurs noirs |
| D. Câble à 3 conducteurs depuis la table de cuisson | I. Connecteur de conduit (homologation UL ou CSA) avec passe-fils |
| E. Boîtier de connexion | |

1. Déconnecter la source de courant électrique.
2. Enlever le couvercle du boîtier de connexion, le cas échéant.
3. Connecter ensemble les 2 conducteurs rouges (B) avec un capuchon de connexion (homologation UL).
4. Connecter le conducteur vert (ou nu) (C) de la table de cuisson au conducteur blanc (neutre) (F) dans le boîtier de connexion avec un capuchon de connexion (homologation UL).
5. Connecter ensemble les 2 conducteurs noirs (H) avec un capuchon de connexion (homologation UL).
6. Réinstaller le couvercle du boîtier de connexion.

Terminer l'installation

1. Vérifier que toutes les pièces sont maintenant installées. S'il reste une pièce, passer en revue les différentes étapes pour découvrir laquelle aurait été oubliée.
2. Vérifier la présence de tous les outils.
3. Éliminer/recycler tous les matériaux d'emballage.
4. Avant d'utiliser la table de cuisson, utiliser une solution douce de nettoyant domestique et d'eau tiède pour la nettoyer. Sécher soigneusement avec un chiffon doux. Pour plus de renseignements, voir la section "Entretien de la table de cuisson" du guide d'utilisation et d'entretien.
5. Lire la section "Utilisation de la table de cuisson" du guide d'utilisation et d'entretien de la table de cuisson.
6. Rétablir l'alimentation électrique.
7. Vérifier le fonctionnement de la table de cuisson – vérifier qu'elle chauffe et que les témoins s'illuminent aux positions Hi (élevé), Med (moyen) et Lo (faible). Appuyer sur OFF (arrêt) après avoir terminé.

REMARQUE : Si la table de cuisson ne fonctionne pas après la mise sous tension, vérifier que le disjoncteur ne s'est pas déclenché ou que les fusibles ne sont pas grillés. Voir la section "Dépannage" du guide d'utilisation et d'entretien pour plus de renseignements.

Pour obtenir de l'assistance ou une visite de service :

Se reporter à la section "Assistance ou service" du guide d'utilisation et d'entretien.