



15" (38.1 CM) GAS COOKTOP INSTALLATION INSTRUCTIONS

INSTRUCTIONS D'INSTALLATION DE TABLE DE CUISSON À GAZ DE 15" (38,1 CM)

Table of Contents/Table des matières

COOKTOP SAFETY	1	SÉCURITÉ DE LA TABLE DE CUISSON	11
INSTALLATION REQUIREMENTS	3	EXIGENCES D'INSTALLATION	12
Tools and Parts.....	3	Outillage et pièces.....	12
Location Requirements.....	3	Exigences d'emplacement.....	12
Electrical Requirements	5	Spécifications électriques	14
Gas Supply Requirements	5	Spécifications de l'alimentation en gaz	15
INSTALLATION INSTRUCTIONS	7	INSTRUCTIONS D'INSTALLATION	16
Prepare Cooktop for Installation	7	Préparation de la table de cuisson pour l'installation.....	16
Install Cooktop	7	Installation de la table de cuisson.....	16
Make Gas Connection	8	Raccordement au gaz.....	17
Complete Installation	9	Achever l'installation	18

COOKTOP SAFETY

Your safety and the safety of others are very important.

We have provided many important safety messages in this manual and on your appliance. Always read and obey all safety messages.



This is the safety alert symbol.

This symbol alerts you to potential hazards that can kill or hurt you and others.

All safety messages will follow the safety alert symbol and either the word "DANGER" or "WARNING."

These words mean:

⚠ DANGER

You can be killed or seriously injured if you don't immediately follow instructions.

⚠ WARNING

You can be killed or seriously injured if you don't follow instructions.

All safety messages will tell you what the potential hazard is, tell you how to reduce the chance of injury, and tell you what can happen if the instructions are not followed.

IMPORTANT:

Installer: Leave installation instructions with the homeowner.

Homeowner: Keep installation instructions for future reference.

IMPORTANT :

Installateur : Remettre les instructions d'installation au propriétaire.

Propriétaire : Conserver les instructions d'installation pour référence ultérieure.

WARNING: If the information in this manual is not followed exactly, a fire or explosion may result causing property damage, personal injury or death.

- Do not store or use gasoline or other flammable vapors and liquids in the vicinity of this or any other appliance.
- **WHAT TO DO IF YOU SMELL GAS:**
 - Do not try to light any appliance.
 - Do not touch any electrical switch.
 - Do not use any phone in your building.
 - Immediately call your gas supplier from a neighbor's phone. Follow the gas supplier's instructions.
 - If you cannot reach your gas supplier, call the fire department.
- Installation and service must be performed by a qualified installer, service agency or the gas supplier.

WARNING: Gas leaks cannot always be detected by smell.
Gas suppliers recommend that you use a gas detector approved by UL or CSA.
For more information, contact your gas supplier.
If a gas leak is detected, follow the "What to do if you smell gas" instructions.

IMPORTANT: Do not install a ventilation system that blows air downward toward this gas cooking appliance. This type of ventilation system may cause ignition and combustion problems with this gas cooking appliance resulting in personal injury or unintended operation.

In the State of Massachusetts, the following installation instructions apply:

- Installations and repairs must be performed by a qualified or licensed contractor, plumber, or gas fitter qualified or licensed by the State of Massachusetts.
- Acceptable Shut-off Devices: Gas Cocks and Ball Valves installed for use shall be listed.
- A flexible gas connector, when used, must not exceed 4 feet (121.9 cm).

INSTALLATION REQUIREMENTS

Tools and Parts

Gather the required tools and parts before starting installation.

Tools needed

- Tape measure
- Flat-blade screwdriver
- #2 Phillips screwdriver
- $1\frac{5}{16}$ " combination wrench
- Pipe wrench
- Channel lock pliers
- Marker or pencil
- Pipe-joint compound resistant to Propane gas
- Noncorrosive leak-detection solution

Parts supplied

- Gas pressure regulator
- Burner grates (1)
- Burner bases:
Single burner units (1)
Double burner units (2)
- Burner caps (2)
- Clamp brackets (2)
- $2\frac{1}{2}$ " clamping screws (2)
- Foam tape seal
- Propane conversion kit - W11027216
- Mounting bridge kit: W11031680"

Parts needed

Check local codes and consult gas supplier. Check existing gas supply and electrical supply. See the "Electrical Requirements" and "Gas Supply Requirements" sections.

Location Requirements

IMPORTANT: Observe all governing codes and ordinances. Do not obstruct flow of combustion and ventilation air.

- It is the installer's responsibility to comply with installation clearances specified on the model/serial/rating plate. The model/serial/rating plate is located on the underside of the cooktop burner box.
- Do not unpack the burner grate and base(s) until after the cooktop is installed to avoid scratching the cooktop.
- The cooktop should be installed in a location away from strong draft areas, such as windows, doors, and strong heating vents or fans.
- All openings in the wall or floor where cooktop is to be installed must be sealed.
- Cabinet opening dimensions that are shown must be used. Given dimensions are minimum clearances.
- Grounded and polarized electrical supply is required. See the "Electrical Requirements" section.
- Proper gas supply connection must be available. See the "Gas Supply Requirements" section.
- The gas and electric supply should be located as shown in "Gas and Electric Connection Locations" in the "Location Requirements" section so that they are accessible without requiring removal of the cooktop.

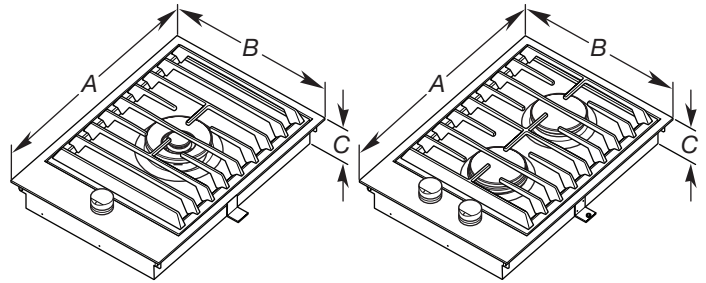
IMPORTANT: To avoid damage to your cabinets, check with your builder or cabinet supplier to make sure that the materials used will not discolor, delaminate, or sustain other damage.

Mobile Home - Additional Installation Requirements

The installation of this cooktop must conform to the Manufactured Home Construction and Safety Standard, Title 24 CFR, Part 3280 (formerly the Federal Standard for Mobile Home Construction and Safety, Title 24, HUD Part 280). When such standard is not applicable, use the Standard for Manufactured Home Installations, ANSI A225.1/NFPA 501A, or local codes.

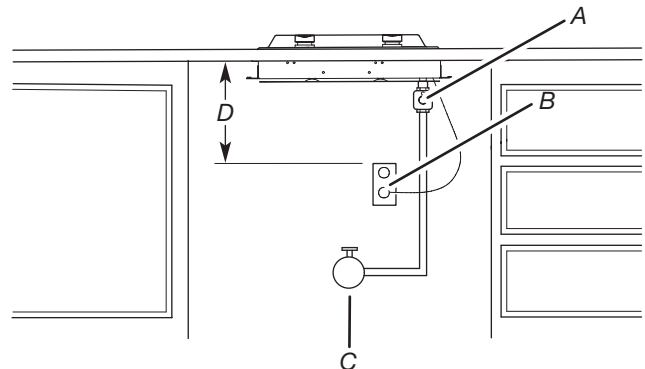
In Canada, the installation of this cooktop must conform with the current standards CAN/CSA-A240 - latest edition, or with local codes.

Product Dimensions



- A. 21" (53.3 cm)
- B. 15" (38.1 cm)
- C. $3\frac{1}{4}$ " (8.3 cm)

Gas and Electric Connection Locations

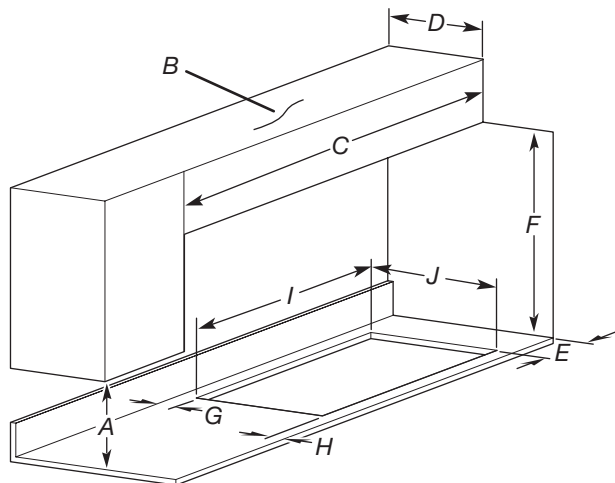


- A. Gas pressure regulator (supplied) - arrow pointed toward cooktop
- B. 3 prong grounding type outlet with correct polarity
- C. Gas shut-off valve
- D. 18" (45.7 cm) minimum

NOTE: Each unit must have a separate regulator (supplied).

Installation Clearances

IMPORTANT: If installing a range hood or microwave hood combination above the cooking surface, follow the range hood or microwave hood combination installation instructions for dimensional clearances above the cooktop surface.



- A. 18" (45.7 cm) minimum clearance upper cabinet to countertop
- B. Cabinet
- C. See the Multi-Unit Dimensions table.
- D. 13" (33 cm) maximum recommended upper cabinet depth
- E. 6" (15.2 cm) minimum side wall clearance
- F. 30" (76.2 cm) minimum clearance between top of cooktop platform and bottom of uncovered wood or metal cabinet (24" [61 cm] minimum clearance if bottom of wood or metal cabinet is covered by not less than 1/4" [0.6 cm] flame retardant millboard covered with not less than No. 28 MSG sheet steel, 0.015" [0.04 cm] stainless steel, or 0.024" [0.06 cm] aluminum or 0.020" [0.05 cm] copper)
- G. 2⁵/₁₆" (5.9 cm) minimum distance to rear combustible surface
- H. 2⁵/₁₆" (5.9 cm) minimum distance to front countertop edge
- I. See the Multi-Unit Dimensions table.
- J. Cutout depth - 20³/₈" (51.8 cm)

Multi-Unit Dimensions

Units	Upper Cabinet Width (C)	Cutout Width (I)
One 15" (38.1 cm) unit	15" (38.1 cm)	14 ³ / ₈ " (36.5 cm)
Two 15" (38.1 cm) units	30" (76.2 cm)	29 ³ / ₈ " (74.6 cm)
Three 15" (38.1 cm) units	45" (114.3 cm)	44 ⁷ / ₁₆ " (112.9 cm)
Four 15" (38.1 cm) units	60" (152.4 cm)	59 ⁷ / ₁₆ " (151.0 cm)
30" (76.2 cm) cooktop and one 15" (38.1 cm) unit	45" (114.3 cm)	44 ³ / ₈ " (112.7 cm)
30" (76.2 cm) cooktop and two 15" (38.1 cm) units	60" (152.4 cm)	59 ⁷ / ₁₆ " (151.0 cm)
36" (91.4 cm) cooktop and one 15" (38.1 cm) unit	51" (129.5 cm)	50 ³ / ₈ " (128.0 cm)

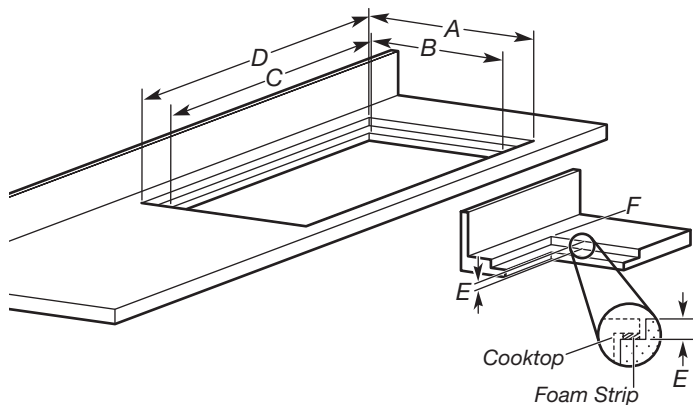
NOTE: After making the countertop cutout, some installations may require notching down the base cabinet side walls to clear the burner box. To avoid this modification, use a base cabinet with sidewalls wider than the cutout.

If cabinet has a drawer, a 4" (10.2 cm) depth clearance from the countertop to the top of the drawer (or other obstruction) in base cabinet is required. The drawer depth may need to be shortened to avoid interfering with the regulator and power cord.

Flush Installation Dimensions

All cooktops can be mounted with a frameless standard installation sitting on top of the countertop surface or flush with the top of the countertop. If the cooktop is to be mounted flush with the countertop, a 11/64" (4.3 mm)-deep recessed area surrounding the cooktop cutout must be provided with the following dimensions.

NOTE: This option is not recommended for countertops with a molded backsplash. Do not silicone seal in place.



- A. Recessed area length - 21³/₁₆" (53.8 cm)
- B. Cutout length - 20³/₈" (51.8 cm)
- C. See the Multi-Unit Flush Dimensions table.
- D. See the Multi-Unit Flush Dimensions table.
- E. Recessed area depth 11/64" (4.3 mm)
- F. Recessed area radius 5/64" (2.0 mm) maximum

Multi-Unit Flush Dimensions

Units	Recessed Area Width (D)	Cutout Width (C)
One 15" (38.1 cm) unit	15 ¹ / ₈ " (38.4 cm)	14 ³ / ₈ " (36.5 cm)
Two 15" (38.1 cm) units	30 ¹ / ₈ " (76.5 cm)	29 ³ / ₈ " (74.6 cm)
Three 15" (38.1 cm) units	45 ¹ / ₈ " (114.6 cm)	44 ⁷ / ₁₆ " (112.9 cm)
Four 15" (38.1 cm) units	60 ¹ / ₈ " (152.7 cm)	59 ⁷ / ₁₆ " (151.0 cm)
30" (76.2 cm) cooktop and one 15" (38.1 cm) unit	45 ¹ / ₈ " (114.6 cm)	44 ³ / ₈ " (112.7 cm)
30" (76.2 cm) cooktop and two 15" (38.1 cm) units	60 ¹ / ₈ " (152.7 cm)	59 ⁷ / ₁₆ " (151.0 cm)
36" (91.4 cm) cooktop and one 15" (38.1 cm) unit	51 ¹ / ₈ " (129.9 cm)	50 ³ / ₈ " (128.0 cm)

IMPORTANT: If multiple units are installed side by side, the mounting bridge kit W11031680 is needed for proper installation.

Electrical Requirements

⚠ WARNING



Electrical Shock Hazard

- Plug into a grounded 3 prong outlet.
- Do not remove ground prong.
- Do not use an adapter.
- Do not use an extension cord.
- Failure to follow these instructions can result in death, fire, or electrical shock.

IMPORTANT: The cooktop must be electrically grounded in accordance with local codes and ordinances, or in the absence of local codes, with the National Electrical Code, ANSI/NFPA 70 or Canadian Electrical Code, CSA C22.1.

This cooktop is equipped with an electronic ignition system that will not operate if plugged into an outlet that is not properly polarized.

This cooktop is equipped with an electronic ignition system that will not operate properly if plugged into a ground fault interrupt circuit.

If codes permit and a separate ground wire is used, it is recommended that a qualified electrical installer determine that the ground path is adequate.

A copy of the above code standards can be obtained from:

National Fire Protection Association
1 Batterymarch Park
Quincy, MA 02169-7471

CSA International
8501 East Pleasant Valley Road
Cleveland, OH 44131-5575

- A 120 volt, 60 Hz., AC only, 15 amp fused, electrical circuit is required. A time-delay fuse or circuit breaker is also recommended. It is recommended that a separate circuit serving only this range be provided.
- Electronic ignition systems operate within wide voltage limits, but proper grounding and polarity are necessary. Check that the outlet provides 120 volt power and is correctly grounded.
- This gas cooktop is not required to be plugged into a GFCI (Ground-Fault Circuit Interrupter) outlet or AFCI (Arc Fault Circuit Interrupter) type circuit breaker. It is recommended that you not plug an electric spark ignition gas cooktop or any other major appliance into a GFCI wall outlet or a AFCI breaker as it may cause these types of circuit breaker to trip during normal cycling.
- Performance of this cooktop will not be affected if operated on a GFCI/AFCI-protected circuit. However, occasional nuisance tripping of the GFCI/AFCI breaker is possible due to the normal operating nature of electronic gas cooktops.
- The wiring diagram is provided with this cooktop. It is located inside the cooktop burner box.

Gas Supply Requirements

⚠ WARNING



Explosion Hazard

- Use a new CSA International approved gas supply line.
- Install a shut-off valve.
- Securely tighten all gas connections.
- If connected to propane, have a qualified person make sure gas pressure does not exceed 14" (36 cm) water column.
- Examples of a qualified person include:
licensed heating personnel,
authorized gas company personnel, and
authorized service personnel.
- Failure to do so can result in death, explosion, or fire.

Observe all governing codes and ordinances.

IMPORTANT: This installation must conform with all local codes and ordinances. In the absence of local codes, installation must conform with American National Standard, National Fuel Gas Code ANSI Z223.1 - latest edition or CAN/CGA B149 - latest edition.

IMPORTANT: Leak testing of the cooktop must be conducted according to the manufacturer's instructions.

Type of Gas

Natural Gas:

This cooktop is factory-set for use with Natural gas. To convert to Propane gas, see the Gas Conversion instructions provided in the package containing the literature. The model/serial/rating plate located on the underside of the burner box has information on the types of gas that can be used. If the types of gas listed do not include the type of gas available, check with the local gas supplier.

Propane Gas conversion:

Conversion must be done by a qualified service technician. No attempt shall be made to convert the appliance from the gas specified on the model/serial/rating plate for use with a different gas without consulting the serving gas supplier. See the Gas Conversion instructions provided in the package containing the literature.

Gas Supply Line

- Provide a gas supply line of 3/4" (1.9 cm) rigid pipe to the cooktop location. A smaller size pipe on longer runs may result in insufficient gas supply. Pipe-joint compounds that resist the action of Propane gas must be used. Do not use TEFLON[†] tape. With Propane gas, piping or tubing size can be 1/2" (1.6 cm) minimum. Usually, Propane gas suppliers determine the size and materials used in the system.

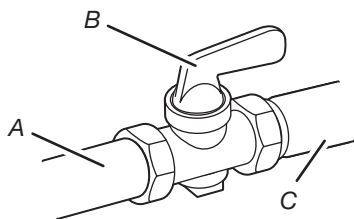
Flexible metal appliance connector:

- If local codes permit, use a 5/8" (1.6 cm) flexible stainless steel tubing gas connector, designed by CSA to connect the cooktop to the rigid gas supply line.



NOTE: For multi-unit installations, a single shut-off valve is acceptable. Each unit must have its own regulator (supplied with the unit) and flexible stainless steel tubing gas connector.

- A 1/2" (1.3 cm) male pipe thread is needed for connection to the female pipe threads of the inlet to the appliance pressure regulator.
- Do not kink or damage the flexible metal tubing when moving the cooktop.
- Must include a shut-off valve:
Install a manual gas line shut-off valve in an easily accessible location. Do not block access to shut-off valve. The valve is for turning on or shutting off gas to the cooktop.



- A. Gas supply line
- B. Shut-off valve open position
- C. To cooktop

Gas Pressure Regulator

The gas pressure regulator supplied with this cooktop must be used. The inlet pressure to the regulator should be as follows for proper operation:

Natural Gas:

Minimum pressure: 6" (15.2 cm) WCP
Maximum pressure: 14" (35.5 cm) WCP

Propane Gas:

Minimum pressure: 11" (27.9 cm) WCP
Maximum pressure: 14" (35.5 cm) WCP

Contact local gas supplier if you are not sure about the inlet pressure.

NOTE: For multi-unit installations, each unit must have its own regulator (supplied with the unit).

Burner Input Requirements

Input ratings shown on the model/serial/rating plate are for elevations up to 2,000 ft (609.6 m).

For elevations above 2,000 ft (609.6 m), ratings are reduced at a rate of 4% for each 1,000 ft (304.8 m) above sea level (not applicable for Canada).

For elevations above 6,560 ft (1999.5 m), a high altitude kit is needed to avoid any reduced power output. See separate Propane gas conversion instructions sheet.

Gas Supply Pressure Testing

Line pressure testing above 1/2 psi (3.5 kPa) gauge [14" (35.6 cm) WCP]

The appliance and its individual shut-off valve must be disconnected from the gas supply piping system during any pressure testing of that system at test pressures in excess of 1/2 psi (3.5 kPa).

Line pressure testing at 1/2 psi (3.5 kPa) gauge [14" (35.6 cm) WCP] or lower

The appliance must be isolated from the gas supply piping system by closing its individual manual shut-off valve during any pressure testing of the gas supply piping system at test pressures equal to or less than 1/2 psi (3.5 kPa).

[†]TEFLON is a registered trademark of Chemours.

INSTALLATION INSTRUCTIONS

Prepare Cooktop for Installation

⚠ WARNING

Excessive Weight Hazard

Use two or more people to move and install cooktop.
Failure to do so can result in back or other injury.

Write down the model and serial numbers before installing the cooktop. Both numbers are located on the center underside of the burner box.

Unpack the parts supplied with your cooktop. Do not unpack or remove the grate and burner base(s) from the carton until after the cooktop is installed to reduce the risk of scratching the cooktop.

The parts shipped with the cooktop depend on the model ordered. See the "Tools and Parts" section for a complete list of parts supplied with the cooktop.

Decide on the final location for the cooktop. Locate existing wiring to avoid drilling into or severing wiring during installation.

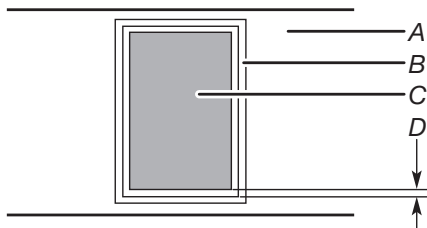
The pressure regulator and flexible stainless steel gas supply line can be assembled to the cooktop before or after the cooktop is installed. See the "Make Gas Connection" section.

1. Remove the foam strip from the hardware package. Remove the backing from the foam strip.

For countertop installations: Apply the foam strip with the adhesive side to the countertop within 1/16" (1.6 mm) of the edge of the cutout, front, back, and sides.

For flush installations: Apply the foam strip with the adhesive side to the bottom of the cutout recessed area. Save the excess foam strip for use with the mounting bridge kit.

NOTE: The foam strip helps keep the underside of the cooktop frame free from debris and helps the cooktop sit flat on uneven countertops. Do not silicone seal in place.



- A. Countertop
- B. Foam strip
- C. Cutout
- D. 1/16" (1.6 mm)

Install Cooktop

Install the pressure regulator to the cooktop before installing the cooktop. See the "Make Gas Connections" section.

Multi-unit installation

For multi-unit installations, a mounting bridge kit is required. See the "Tools and Parts" section.

Cooktop over built-in oven

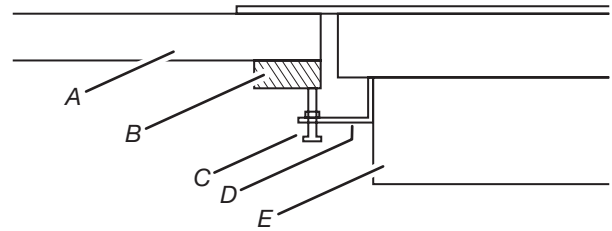
IMPORTANT: Clamping brackets should not be used.

1. Install the cooktop into the countertop cutout by tilting one end of the cooktop into the cutout, then lowering the other end into the cutout.

NOTE: Make sure that the front edge of the cooktop is parallel to the front edge of the countertop. If repositioning is needed, lift the entire cooktop up to avoid scratching the countertop.

Install cooktop into countertop

1. Remove the two hold-down screws located in each side of the cooktop burner box.
2. Attach the two hold-down brackets to the burner box.
3. Install the cooktop into the countertop cutout by tilting one end of the cooktop into the cutout, then lowering the other end into the cutout.
4. Start the hold-down screws into the hold-down brackets.



- A. Countertop
- B. Wood block
- C. Hold-down screw
- D. Hold-down bracket
- E. Burner box

5. Center the cooktop in the opening and, using a wood block between the screw and the countertop, moderately tighten the screws to secure cooktop.

IMPORTANT: Do not tighten screws directly against the countertop.

Make Gas Connection

! WARNING



Explosion Hazard

Use a new CSA International approved gas supply line.

Install a shut-off valve.

Securely tighten all gas connections.

If connected to propane, have a qualified person make sure gas pressure does not exceed 14" (36 cm) water column.

Examples of a qualified person include:

licensed heating personnel,
authorized gas company personnel, and
authorized service personnel.

Failure to do so can result in death, explosion, or fire.

Use only pipe-joint compound made for use with Natural and Propane gas.

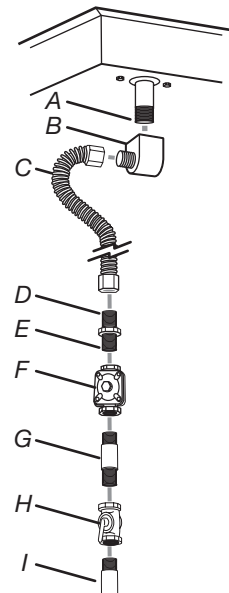
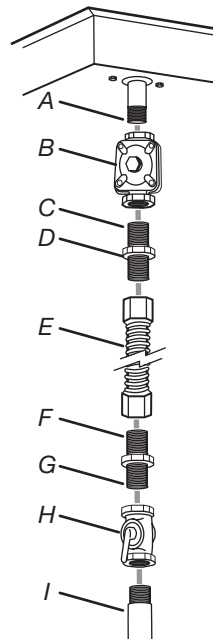
Do not use TEFLON^{®†} tape. You will need to determine the fittings required depending on your installation.

Typical flexible connection

1. Apply pipe-joint compound made for use with Propane gas to the larger thread ends of the flexible connector adapters (see B and F in the following illustration).
2. Attach one adapter to the gas pressure regulator and the other adapter to the gas shut-off valve. Tighten both adapters.
3. Use a 15/16" (2.4 cm) combination wrench and channel lock pliers to attach the flexible connector to the adapters. Check that connector is not kinked.

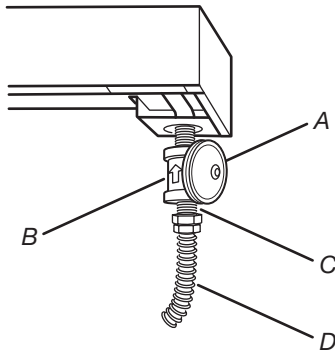
No appliance/obstructions below cooktop

Suggested installation to avoid interference below cooktop



To Assemble Pressure Regulator:

1. Install the pressure regulator with the arrow pointing up toward the bottom of the burner box and in a position where you can reach the regulator.



- A. Gas pressure regulator
- B. Up arrow - regulator must be installed with arrow pointing up at cooktop bottom.
- C. Adapter (must have 1/2" [1.3 cm] male pipe thread)
- D. UL Listed or CSA Approved flexible stainless steel gas supply line

IMPORTANT: All connections must be wrench-tightened. Do not make connections to the gas regulator too tight. Making the connections too tight may crack the regulator and cause a gas leak. Do not allow the regulator to turn on the pipe when tightening fittings.

2. Connect the flexible stainless steel connector to the pressure regulator using a 1/2" (1.3 cm) male pipe thread adapter.

A combination of pipe fittings must be used to connect the cooktop to the existing gas line. Shown in the following illustration is a typical connection. Your connection may be different, according to the supply line type, size, and location.

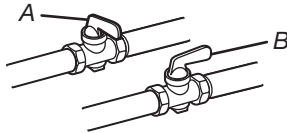
NOTE: When installing the cooktop above a built-in oven, install a 90° elbow - 1/2" (1.3 cm) female to 1/2" (1.3 cm) male between the cooktop manifold pipe and the pressure regulator. The regulator must be set with the arrow pointing toward the cooktop. Apply pipe joint compound for use with Propane gas to the end of the cooktop manifold pipe and the male end of the 90° elbow.

- A. Manifold entrance
 - B. Gas pressure regulator
 - C. Use pipe-joint compound.
 - D. Adapter (must have 1/2" [1.3 cm] male pipe thread)
 - E. Flexible connector
 - F. Adapter
 - G. Use pipe-joint compound.
 - H. Manual gas shut-off valve
 - I. 1/2" (1.3 cm) or 3/4" (1.9 cm) gas pipe
- A. Manifold entrance
 - B. Elbow (1/2" [1.3 cm] female to 1/2" [1.3 cm] male)
 - C. Flexible connector (pass through wall between cabinets)
 - D. Adapter (must have 1/2" [1.3 cm] male pipe thread)
 - E. Use pipe-joint compound.
 - F. Appliance pressure regulator (supplied)
 - G. 1/2" (1.3 cm) or 3/4" (1.9 cm) gas pipe
 - H. Manual gas shut-off valve
 - I. 1/2" (1.3 cm) or 3/4" (1.9 cm) gas pipe

†TEFLON is a registered trademark of Chemours.

Complete Connection

1. Open the manual shut-off valve in the gas supply line. The valve is open when the handle is parallel to the gas pipe.

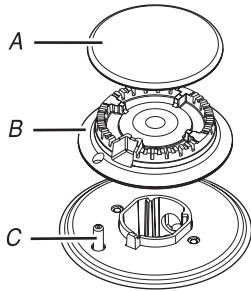


A. Closed valve
B. Open valve

2. Test all connections by brushing on an approved noncorrosive leak-detection solution. If bubbles appear, a leak is indicated. Correct any leak found.

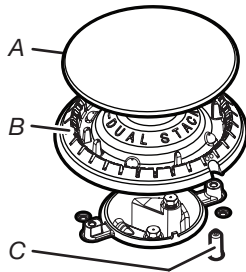
NOTE: When a single shut-off valve is used for a multi-unit installation, closing the valve will shut off the gas supply to all connected units.

3. Install all burner caps and burner bases.



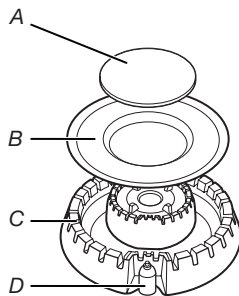
Single Burner

- A. Cap
B. Spreader
C. Electrode



Double Burner

- A. Cap
B. Spreader
C. Electrode



Dual Flame Burner

- A. Inner cap
B. Outer cap
C. Spreader
D. Electrode

Single and Double Burner installation:

To install the spreader (B), insert the electrode (C) into the spreader hole. Install the cap (A) on the spreader (B).

Dual Flame Burner:

Install the inner and outer caps (A and B) on the dual flame burner.

Install surface grate:

The surface grate is positioned correctly when it sits level on the cooktop and does not rock or wobble.

⚠ WARNING



Electrical Shock Hazard

Plug into a grounded 3 prong outlet.

Do not remove ground prong.

Do not use an adapter.

Do not use an extension cord.

Failure to follow these instructions can result in death, fire, or electrical shock.

4. Plug into a grounded 3 prong outlet.

Complete Installation

Electronic Ignition System

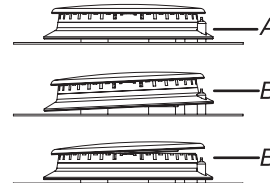
Check Operation of Surface Burners

1. Push in and turn the surface burner control knobs to IGNITE. The surface burner flame should light within 4 seconds. The first time a surface burner is lit, it may take longer than 4 seconds to light because of air in the gas line.
2. Turn the control knob to HI and check for a blue-colored flame. It should be clean and soft in character. No yellow tip, blowing, or lifting of flame should occur. Occasional orange flashes are normal and reflect different elements in the air or gas.
3. Repeat for LO.

NOTE: For the double burner, only the inner ring will have a flame.
4. Repeat for SIMMER.
5. After verifying the proper burner operation, turn the control knobs to OFF.

If burners do not light properly:

- Turn the surface burner control knob to OFF.
- Check that the power supply cord is plugged in and the circuit breaker has not tripped or the fuse blown.
- Check that the gas shut-off valve is set to the open position.
- Check that the burner bases and caps are properly positioned on the burners.



A. Correct
B. Incorrect

Recheck the operation of the surface burners. If a burner does not light at this point, call **1-800-JENN-AIR (1-800-536-6247)**.

Notes

SÉCURITÉ DE LA TABLE DE CUISSON

Votre sécurité et celle des autres est très importante.

Nous donnons de nombreux messages de sécurité importants dans ce manuel et sur votre appareil ménager. Assurez-vous de toujours lire tous les messages de sécurité et de vous y conformer.



Voici le symbole d'alerte de sécurité.

Ce symbole d'alerte de sécurité vous signale les dangers potentiels de décès et de blessures graves à vous et à d'autres.

Tous les messages de sécurité suivront le symbole d'alerte de sécurité et le mot "DANGER" ou "AVERTISSEMENT". Ces mots signifient :

⚠ DANGER

Risque possible de décès ou de blessure grave si vous ne suivez pas immédiatement les instructions.

⚠ AVERTISSEMENT

Risque possible de décès ou de blessure grave si vous ne suivez pas les instructions.

Tous les messages de sécurité vous diront quel est le danger potentiel et vous disent comment réduire le risque de blessure et ce qui peut se produire en cas de non-respect des instructions.

AVERTISSEMENT : Si les renseignements dans ce manuel ne sont pas exactement observés, un incendie ou une explosion peut survenir, causant des dommages au produit, des blessures ou un décès.

- **Ne pas entreposer ni utiliser de l'essence ou d'autres vapeurs ou liquides inflammables à proximité de cet appareil ou de tout autre appareil électroménager.**
- **QUE FAIRE DANS LE CAS D'UNE ODEUR DE GAZ :**
 - **Ne pas tenter d'allumer un appareil.**
 - **Ne pas toucher à un commutateur électrique.**
 - **Ne pas utiliser le téléphone se trouvant sur les lieux.**
 - **Appeler immédiatement le fournisseur de gaz à partir du téléphone d'un voisin. Suivre ses instructions.**
 - **À défaut de joindre votre fournisseur de gaz, appeler les pompiers.**
- **L'installation et l'entretien doivent être effectués par un installateur qualifié, une agence de service ou le fournisseur de gaz.**

AVERTISSEMENT : L'odorat ne permet pas toujours la détection d'une fuite de gaz.

Les distributeurs de gaz recommandent l'emploi d'un détecteur de gaz (homologation UL ou CSA).

Pour d'autre information, contacter le fournisseur de gaz local.

En cas de détection d'une fuite de gaz, exécuter les instructions "Que faire dans le cas d'une odeur de gaz".

IMPORTANT : Ne pas installer un système de ventilation avec évacuation de l'air vers le bas, qui évacuerait l'air vers cet appareil de cuisson à gaz. Ce type de système de ventilation peut causer des problèmes d'allumage et de combustion avec cet appareil de cuisson à gaz et entraîner des blessures corporelles ou le fonctionnement non désiré de cet appareil.

Dans l'État du Massachusetts, les instructions d'installation suivantes sont applicables :

- Les travaux d'installation et réparation doivent être exécutés par un plombier ou tuyauteur qualifié ou licencié, ou par le personnel qualifié d'une entreprise licenciée par l'État du Massachusetts.
- Remplacer par des dispositifs de fermeture acceptables : Les robinets de gaz et robinets à bille installés pour l'utilisation devraient être indiqués.
- Si un conduit de raccordement flexible est utilisé, sa longueur ne doit pas dépasser 4 pi (121,9 cm).

EXIGENCES D'INSTALLATION

Outillage et pièces

Rassembler les outils et pièces nécessaires avant d'entreprendre l'installation.

Outils nécessaires

- Mètre-ruban
- Tournevis à lame plate
- Tournevis Phillips n° 2
- Clé mixte de 15/16" (24 mm)
- Clé à tuyauterie
- Pince multiprise
- Marqueur ou crayon
- Composé d'étanchéité des raccords filetés – résistant au gaz propane
- Solution non corrosive de détection des fuites

Pièces fournies

- Détendeur
- Grilles de brûleur (1)
- Bases de brûleur:
Unités à un brûleur (1)
Unités à deux brûleurs (2)
- Chapeaux de brûleur (2)
- Brides de fixation (2)
- Vis de fixation de 2 1/2" (6,4 cm) (2)
- Bande d'étanchéité en mousse
- Trousse de conversion pour l'alimentation au propane - W11027216

Pièces nécessaires

Vérifier les codes locaux et consulter le fournisseur de gaz. Vérifier l'alimentation en gaz et l'alimentation électrique existantes. Voir les sections "Spécifications électriques" et "Spécifications de l'alimentation en gaz".

Exigences d'emplacement

IMPORTANT : Observer les dispositions de tous les codes et règlements en vigueur. Ne pas obstruer le flux de combustion et de ventilation.

- C'est à l'installateur qu'incombe la responsabilité de respecter les distances de séparation spécifiées sur la plaque signalétique. La plaque signalétique est située sur la face inférieure de la boîte de brûleur de la table de cuisson.
- Ne pas déballer la grille du brûleur et de la base avant que la table de cuisson n'ait été installée pour éviter d'égratigner la table de cuisson.
- La table de cuisson doit être installée dans un emplacement à l'écart des zones de forts courants d'air, telles que fenêtres, portes et événements ou ventilateurs de chauffage.
- Toutes les ouvertures dans le mur ou le plancher de l'emplacement d'installation de la table de cuisson doivent être scellées.
- Respecter les dimensions indiquées pour les ouvertures à découper dans les meubles. Ces dimensions constituent les valeurs minimales des dégagements.
- Une source d'électricité avec liaison à la terre et polarisée est nécessaire. Voir la section "Spécifications électriques".
- Un raccordement adéquat à l'alimentation en gaz doit être disponible. Voir la section "Spécifications de l'alimentation en gaz".
- Les sources de gaz et d'électricité doivent être situées tel qu'indiqué à la section "Emplacements des raccordements au gaz et à l'électricité", dans la section "Exigences d'emplacement" pour qu'elles soient accessibles et qu'il ne soit pas nécessaire d'enlever la table de cuisson.

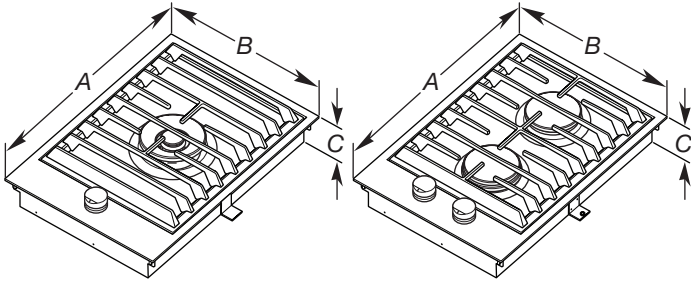
IMPORTANT : Afin d'éviter d'endommager les placards, consulter l'installateur ou le fabricant des placards pour déterminer si les matériaux utilisés peuvent subir une décoloration, une déstratification ou d'autres dommages.

Résidence mobile – Spécifications additionnelles à respecter lors de l'installation

L'installation de cette table de cuisson doit être conforme aux dispositions de la norme Manufactured Home Construction and Safety Standard, Title 24 CFR, Part 3280 (anciennement Federal Standard for Mobile Home Construction and Safety, Title 24, HUD Part 280). Lorsque cette norme n'est pas applicable, l'installation doit satisfaire aux critères de la norme Standard for Manufactured Home Installations, ANSI A225.1/NFPA 501A ou aux dispositions des codes locaux.

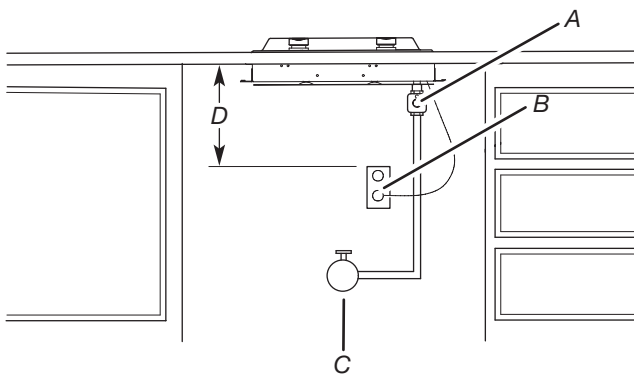
Au Canada, l'installation de cette table de cuisson doit satisfaire aux stipulations de la version la plus récente de la norme CAN/CSA-A240 ou des codes locaux en vigueur.

Dimensions du produit



- A. 21" (53,3 cm)
- B. 15" (38,1 cm)
- C. 3 1/4" (8,3 cm)

Emplacements des raccordements au gaz et à l'électricité

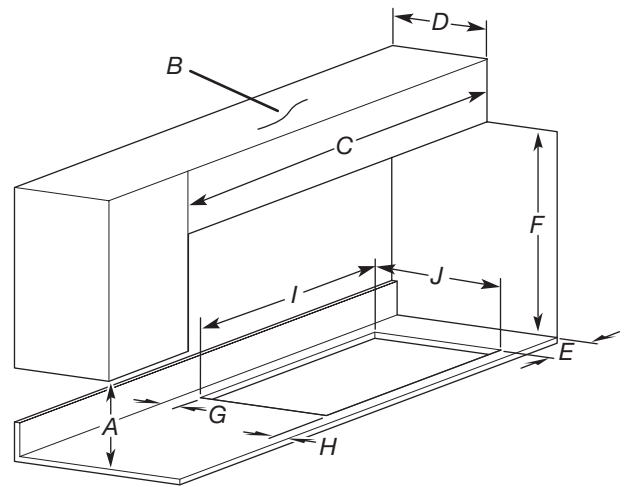


- A. Détendeur (fourni) - flèche orientée vers la table de cuisson
- B. Prise de courant à 3 alvéoles reliée à la terre avec la polarité correcte
- C. Robinet d'arrêt du gaz
- D. 18" (45,7 cm) minimum

REMARQUE : Chaque unité doit comporter un régulateur distinct (fourni).

Distances de dégagement à respecter

IMPORTANT : En cas d'installation d'une hotte ou d'un ensemble hotte/micro-ondes au-dessus de la cuisinière, suivre les instructions d'installation fournies avec la hotte concernant les dimensions de dégagement à respecter au-dessus de la surface de la table de cuisson.



- A. Dégagement minimal de 18" (45,7 cm) entre le placard supérieur et le plan de travail
- B. Placard
- C. Consulter le tableau Dimensions - Unités multiples.
- D. Profondeur maximale recommandée pour le placard supérieur : 13" (33 cm)
- E. Dégagement minimal de la paroi latérale de 6" (15,2 cm)
- F. Distance minimale de séparation de 30" (76,2 cm) entre le dessus de la table de cuisson et le fond d'un placard métallique ou de bois non couvert (distance de séparation de 24" [61 cm] ou plus si le fond du placard de métal ou de bois est recouvert d'une plaque d'au moins 1/4" (0,6 cm) de matériau résistant aux flammes, lui-même recouvert d'une feuille métallique d'une épaisseur correspondant à un calibre de 28 au moins pour l'acier, 0,015" [0,04 cm] pour l'acier inoxydable, 0,024" [0,06 cm] pour l'aluminium ou 0,020" [0,05 cm] pour le cuivre)
- G. Distance minimale de 2 5/16" (5,9 cm) avec la surface combustible arrière
- H. Distance minimale de 2 5/16" (5,9 cm) avec le bord avant du plan de travail
- I. Consulter le tableau Dimensions - Unités multiples.
- J. Profondeur de l'ouverture - 20 3/8" (51,8 cm)

Dimensions - Unités multiples

Unités	Largeur du placard supérieur (C)	Largeur de la découpe (I)
Une unité de 15" (38,1 cm)	15" (38,1 cm)	14 3/8" (36,5 cm)
Deux unités de 15" (38,1 cm)	30" (76,2 cm)	29 3/8" (74,6 cm)
Trois unités de 15" (38,1 cm)	45" (114,3 cm)	44 7/16" (112,9 cm)
Quatre unités de 15" (38,1 cm)	60" (152,4 cm)	59 7/16" (151,0 cm)
Table de cuisson 30" (76,2 cm) et une unité de 15" (38,1 cm)	45" (114,3 cm)	44 3/8" (112,7 cm)
Table de cuisson 30" (76,2 cm) et deux unités de 15" (38,1 cm)	60" (152,4 cm)	59 7/16" (151,0 cm)
Table de cuisson 36" (91,4 cm) et une unité de 15" (38,1 cm)	51" (129,5 cm)	50 3/8" (128,0 cm)

Spécifications électriques

⚠ AVERTISSEMENT



Risque de choc électrique

- Brancher sur une prise à 3 alvéoles reliée à la terre.**
- Ne pas enlever la broche de liaison à la terre.**
- Ne pas utiliser un adaptateur.**
- Ne pas utiliser un câble de rallonge.**
- Le non-respect de ces instructions peut causer un décès, un incendie ou un choc électrique.**

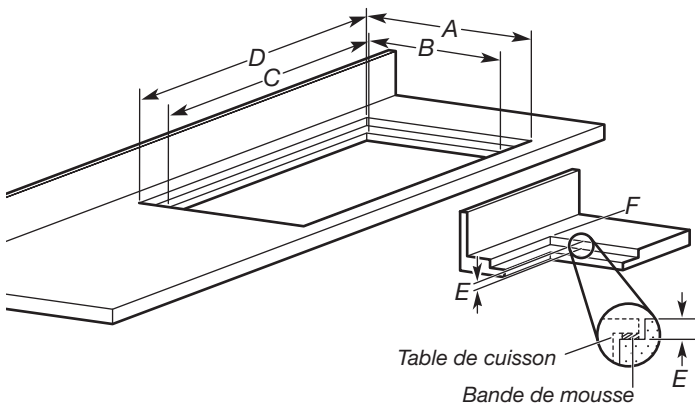
REMARQUE : Dans certaines configurations d'installation, il peut s'avérer nécessaire, après le découpage de l'ouverture dans le plan de travail, d'entailler les parois latérales du placard inférieur pour le passage de la boîte des brûleurs. Pour éviter cette modification, utiliser un placard inférieur dont la largeur entre parois latérales est supérieure à celle de l'ouverture découpée.

Si le placard comporte un tiroir, on devra ménager un dégagement de 4" (10,2 cm) ou plus entre le plan de travail et le dessus du tiroir (ou autre obstacle) dans le placard inférieur. Il pourra être nécessaire de réduire la profondeur du tiroir pour éviter qu'il touche le détendeur et le cordon d'alimentation.

Dimensions pour un panneau en affleurement

Toutes les tables de cuisson peuvent être montées en utilisant une installation standard sans cadre reposant sur la surface du comptoir ou affleurant avec le dessus du comptoir. Si la table de cuisson doit être montée en affleurant le dessus de comptoir, une zone en retrait de 11/64" (4,3 mm de profondeur entourant la découpe de la table de cuisson doit être fournie selon les dimensions suivantes.

REMARQUE : Cette option n'est pas recommandée pour les comptoirs avec dossier moulés. Ne pas sceller en place à l'aide de silicone.



- A. Longueur de la zone en retrait - 21³/₁₆" (53,8 cm)
- B. Longueur de la découpe - 20³/₈" (51,8 cm)
- C. Consulter le tableau Dimensions - Unités multiples affleurantes
- D. Consulter le tableau Dimensions - Unités multiples affleurantes
- E. Profondeur de la zone en retrait 11/64" (4,3 mm)
- F. Rayon de la zone en retrait 5/64" (2,0 mm) maximum

Dimensions - Unités multiples affleurantes

Unités	Largeur de la zone en retrait (D)	Largeur de la découpe (C)
Une unité de 15" (38,1 cm)	15 ¹ / ₈ " (38,4 cm)	14 ³ / ₈ " (36,5 cm)
Deux unités de 15" (38,1 cm)	30 ¹ / ₈ " (76,5 cm)	29 ³ / ₈ " (74,6 cm)
Trois unités de 15" (38,1 cm)	45 ¹ / ₈ " (114,6 cm)	44 ⁷ / ₁₆ " (112,9 cm)
Quatre unités de 15" (38,1 cm)	60 ¹ / ₈ " (152,7 cm)	59 ⁷ / ₁₆ " (151,0 cm)
Table de cuisson 30" (76,2 cm) et une unité de 15" (38,1 cm)	45 ¹ / ₈ " (114,6 cm)	44 ³ / ₈ " (112,7 cm)
Table de cuisson 30" (76,2 cm) et deux unités de 15" (38,1 cm)	60 ¹ / ₈ " (152,7 cm)	59 ⁷ / ₁₆ " (151,0 cm)
Table de cuisson 36" (91,4 cm) et une unité de 15" (38,1 cm)	51 ¹ / ₈ " (129,9 cm)	50 ³ / ₈ " (128,0 cm)

IMPORTANT : Si plusieurs unités sont installées côte à côte, la trousse d'étrier de montage W11031680 est requise pour une installation appropriée.

IMPORTANT : La table de cuisson doit être correctement reliée à la terre en conformité avec les codes et règlements locaux en vigueur, ou en l'absence de tels codes, avec le National Electrical Code, ANSI/NFPA 70 ou le Code canadien des installations électriques, CSA C22.1.

Cette table de cuisson est dotée d'un système d'allumage électronique qui ne fonctionnera pas en cas de branchement dans une prise qui n'est pas correctement polarisée.

Cette table de cuisson est dotée d'un système d'allumage électronique qui ne fonctionnera pas en cas de branchement sur un circuit avec disjoncteur de fuite à la terre.

Si les codes le permettent et si on utilise un conducteur distinct de liaison à la terre, il est recommandé qu'un électricien qualifié vérifie la qualité de la liaison à la terre.

Pour obtenir un exemplaire de la norme des codes ci-dessus, contacter :

National Fire Protection Association
1 Batterymarch Park
Quincy, MA 02169-7471
CSA International
8501 East Pleasant Valley Road
Cleveland, OH 44131-5575

- L'appareil doit être alimenté par un circuit de 120 V, CA seulement, 60 Hz, 15 ampères, protégé par fusible. On recommande également d'utiliser un fusible ou un disjoncteur temporisé. Il est recommandé de raccorder la table de cuisson sur un circuit distinct exclusif à cet appareil.
- Les systèmes d'allumage électronique fonctionnent avec des limites de tension étendues, mais une liaison à la terre correcte et une polarité appropriée sont nécessaires. Vérifier que la prise fournit une alimentation de 120 V et qu'elle est correctement reliée à la terre.
- La table de cuisson au gaz n'a pas besoin d'être branchée à une prise murale protégée par disjoncteur différentiel (GFCI) ou par disjoncteur d'arc électrique (AFCI). Il est recommandé de ne pas brancher une table de cuisson à gaz ou tout autre gros appareil électroménager à allumage électrique par étincelle dans une prise murale à disjoncteur différentiel (GFCI) ou à disjoncteur d'arc électrique (AFCI), car ils peuvent se déclencher lors de l'utilisation normale de l'allumeur.
- Le comportement de cette table de cuisson ne change pas si elle est branchée à un circuit protégé par disjoncteur différentiel (GFCI) ou par disjoncteur d'arc électrique (AFCI). Toutefois, le déclenchement intempestif du disjoncteur différentiel ou d'arc électrique en utilisation normale peut se produire du fait de la nature des tables de cuisson à gaz à allumage électronique.
- Le schéma de câblage est fourni avec cette table de cuisson. Il est situé à l'intérieur de la boîte des brûleurs de la table de cuisson.

Spécifications de l'alimentation en gaz

⚠ AVERTISSEMENT



Risque d'explosion

Utiliser une canalisation neuve d'arrivée de gaz approuvée par la CSA International.

Installer un robinet d'arrêt.

Bien serrer chaque organe de connexion de la canalisation de gaz.

En cas de connexion au gaz propane, demander à une personne qualifiée de s'assurer que la pression de gaz ne dépasse pas 36 cm (14 po) de la colonne d'eau.

Par personne qualifiée, on comprend :

le personnel autorisé de chauffage,
le personnel autorisé d'une compagnie de gaz, et
le personnel d'entretien autorisé.

Le non-respect de ces instructions peut causer un décès, une explosion ou un incendie.

Observer les dispositions de tous les codes et règlements en vigueur.

IMPORTANT : L'installation doit satisfaire aux critères de tous les codes et règlements locaux. En l'absence de code local, l'installation doit satisfaire aux prescriptions de la plus récente édition du code national en vigueur : National Fuel Gas Code ANSI Z223.1 ou CAN/CGA B149.

IMPORTANT : Les tests de fuite de la table de cuisson doivent être effectués selon les instructions du fabricant.

Type de gaz

Gaz naturel :

Cette table de cuisson a été configurée à l'usine pour l'alimentation au gaz naturel. Pour effectuer la conversion pour une alimentation au propane, voir les instructions de conversion de gaz fournies dans le sachet de documentation. La plaque signalétique située sur la face inférieure de la boîte des brûleurs indique les types de gaz utilisables. Si le type de gaz disponible n'est pas mentionné sur la plaque signalétique, consulter le fournisseur local.

Conversion pour l'alimentation au propane :

L'opération de conversion doit être exécutée par un technicien de réparation qualifié.

Ne pas entreprendre de convertir la table de cuisson pour l'utilisation d'un gaz différent de celui indiqué sur la plaque signalétique sans d'abord consulter le fournisseur de gaz. Voir les instructions de conversion de gaz fournies dans le sachet de documentation.

Canalisation de gaz

- Installer une canalisation de gaz rigide de 3/4" (1,9 cm) jusqu'à l'emplacement d'installation de la table de cuisson. L'emploi d'une canalisation de plus petit diamètre ou plus longue peut causer une déficience du débit d'alimentation. On doit utiliser un composé d'étanchéité des tuyauteries résistant à l'action du gaz propane. Ne pas utiliser de ruban TEFLON[†]. Pour l'alimentation au propane, le diamètre des canalisations doit être de 1/2" (1,3 cm) ou plus. Usuellement, le fournisseur de gaz propane détermine les matériaux à utiliser et le diamètre approprié.

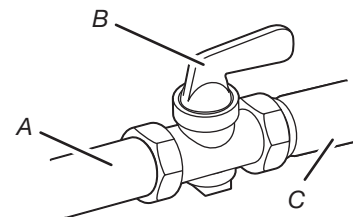
Raccord métallique flexible :

- Si les codes locaux le permettent, utiliser un connecteur à gaz flexible en acier inoxydable de 5/8" (1,6 cm), conçu par CSA pour raccorder la table de cuisson à la canalisation rigide d'alimentation en gaz.



REMARQUE : Dans le cas d'installations multiples, une seule vanne de fermeture est requise. Chaque unité doit disposer de son propre régulateur (fourni avec l'unité) et un connecteur pour le gaz en acier inoxydable flexible.

- Un raccord avec filetage mâle de 1/2" (1,3 cm) est nécessaire pour la connexion sur le raccord à filetage femelle à l'entrée du détendeur de la table de cuisson.
- Ne pas déformer/écraser/endommager le tube métallique flexible lors d'un déplacement de la table de cuisson.
- Robinet d'arrêt nécessaire : Procéder à l'installation d'une vanne de fermeture manuelle pour la conduite de gaz dans un endroit facile d'accès. Ne pas entraver l'accès au robinet d'arrêt manuel. Le robinet d'arrêt manuel est prévu pour ouvrir ou fermer l'alimentation en gaz de la table de cuisson.



A. Canalisation de gaz
B. Robinet d'arrêt manuel - position d'ouverture
C. Vers table de cuisson

Détendeur

Le détendeur fourni avec cette table de cuisson doit être utilisé. La pression d'alimentation du détendeur doit être comme suit pour un fonctionnement correct :

Gaz naturel :

Pression minimum : 6" (15,2 cm) (colonne d'eau)

Pression maximum : 14" (35,5 cm) (colonne d'eau)

Gaz propane :

Pression minimum : 11" (27,9 cm) (colonne d'eau)

Pression maximum : 14" (35,5 cm) (colonne d'eau)

En cas d'incertitude quant à la pression d'alimentation à établir, contacter le fournisseur de gaz local.

REMARQUE : Dans le cas d'une installation à plusieurs unités, chacune d'entre elles doit disposer de son propre régulateur (fourni avec l'unité).

[†]TEFLON est une marque déposée de Chemours.

Caractéristiques d'alimentation du brûleur

Les débits thermiques indiqués sur la plaque signalétique correspondent à une altitude d'utilisation inférieure à 2000 pi (609,6 m).

Lorsque l'appareil est utilisé à une altitude supérieure à 2000 pi (609,6 m), on doit réduire le débit thermique indiqué de 4 % pour chaque tranche de 1000 pi (304,8 m) au-dessus du niveau de la mer (non applicable au Canada).

Pour l'utilisation de l'appareil à une altitude supérieure à 6560 pi (1999,5 m), on doit employer un ensemble pour altitude élevée afin d'éviter une réduction du débit thermique. Voir la fiche d'instructions séparée concernant la conversion pour l'alimentation au propane.

Test de pressurisation de la canalisation de gaz

Pressurisation à une pression supérieure à 1/2 lb/po² (3,5 kPa) [14" (35,5 cm) colonne d'eau]

Lors de tout test de pressurisation de ce système à une pression supérieure à 1/2 lb/po² (3,5 kPa), on doit déconnecter la table de cuisson et son robinet d'arrêt individuel de la canalisation de gaz.

Pressurisation à une pression relative de 1/2 lb/po² (3,5 kPa) [14" (35,5 cm) colonne d'eau] ou moins

Lors de tout test de pressurisation de la canalisation de gaz à une pression égale ou inférieure à 1/2 lb/po² (3,5 kPa), on doit isoler la table de cuisson de la canalisation de gaz en fermant son robinet d'arrêt manuel individuel.

INSTRUCTIONS D'INSTALLATION

Préparation de la table de cuisson pour l'installation

AVERTISSEMENT

Risque du poids excessif

Utiliser deux ou plus de personnes pour déplacer et installer la table de cuisson.

Le non-respect de cette instruction peut causer une blessure au dos ou d'autre blessure.

Inscrire les numéros de modèle et de série avant d'installer la table de cuisson. Les deux numéros sont situés sur la partie inférieure centrale de la boîte des brûleurs.

Déballer les pièces fournies avec la table de cuisson. Ne pas déballer ou retirer la grille et la base du brûleur de leur emballage avant que la table de cuisson n'ait été installée pour éviter d'égratigner la table de cuisson.

Les pièces expédiées avec la table de cuisson dépendent du modèle commandé. Voir la section "Outils et pièces" pour une liste complète des pièces fournies avec la table de cuisson.

Déterminer l'emplacement final de la table de cuisson. Repérer le câblage existant pour éviter de le percer ou de l'endommager lors de l'installation.

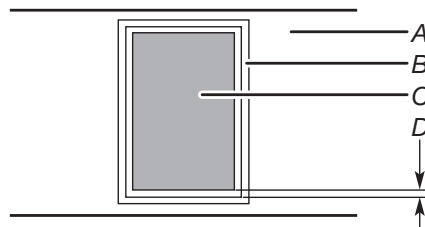
Le détendeur et le connecteur à gaz flexible en acier inoxydable peuvent être raccordés à la table de cuisson maintenant ou après l'installation de la table de cuisson dans l'ouverture. Voir la section "Raccordement au gaz".

1. Décoller la bande de mousse de la trousse de quincaillerie. Retirer l'endos de la bande de mousse.

Pour les installations sur le comptoir : Appliquer le côté adhésif de la bande de mousse sur le plan de travail à 1/16" (1,6 mm) près des bords de l'ouverture (avant, arrière et côtés).

Pour les installations affleurantes : Appliquer le côté adhésif de la bande de mousse sur le bas de l'ouverture en retrait. Conserver l'excédent de bande de mousse aux fins d'utilisation avec la trousse d'étrier de montage.

REMARQUE : La bande de mousse protège la face inférieure du châssis de la table de cuisson des débris et l'aide à reposer à plat sur des plans de travail irréguliers. Ne pas sceller en place à l'aide de silicone.



A. Plan de travail C. Ouverture
B. Bande de mousse D. 1/16" (1,6 mm)

Installation de la table de cuisson

Installer le régulateur sur la table de cuisson avant de monter cette dernière dans le placard. Voir la section "Raccordement au gaz".

Installation de plusieurs unités

Dans le cas de l'installation de plusieurs unités, une trousse d'étrier de montage est requise. Voir la section "Outils et pièces".

Table de cuisson sur four encastré

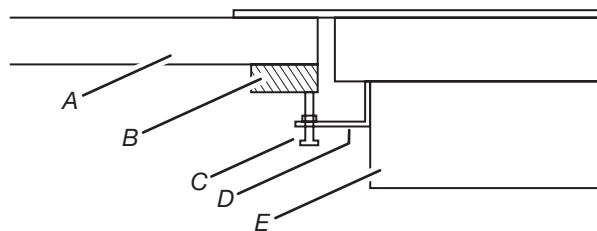
IMPORTANT : Ne pas utiliser de brides de fixation.

1. Installer la table de cuisson dans l'ouverture du plan de travail en inclinant une extrémité de la table de cuisson dans l'ouverture, puis en abaissant l'autre extrémité dans l'ouverture.

REMARQUE : S'assurer que le bord avant de la table de cuisson est parallèle au bord avant du plan de travail. S'il est nécessaire de repositionner la table de cuisson, la soulever entièrement de l'ouverture pour éviter d'endommager le plan de travail.

Installation de la table de cuisson à l'intérieur du plan de travail

1. Ôter les deux vis de retenue situées de chaque côté du logement des brûleurs de la table de cuisson.
2. Fixer les deux brides de retenue à la boîte des brûleurs.
3. Installer la table de cuisson dans l'ouverture du plan de travail en inclinant une extrémité de la table de cuisson dans l'ouverture, puis en abaissant l'autre extrémité dans l'ouverture.
4. Engager les vis de retenue dans les brides de retenue.



A. Plan de travail D. Bride de retenue
B. Cale en bois E. Boîte des brûleurs
C. Vis de retenue

5. Centrer la table de cuisson dans l'ouverture et, en utilisant une cale en bois entre la vis et le plan de travail, serrer les vis modérément pour fixer la table de cuisson.

IMPORTANT : Ne pas serrer les vis directement contre le plan de travail.

Raccordement au gaz

⚠ AVERTISSEMENT



Risque d'explosion

Utiliser une canalisation neuve d'arrivée de gaz approuvée par la CSA International.

Installer un robinet d'arrêt.

Bien serrer chaque organe de connexion de la canalisation de gaz.

En cas de connexion au gaz propane, demander à une personne qualifiée de s'assurer que la pression de gaz ne dépasse pas 36 cm (14 po) de la colonne d'eau.

Par personne qualifiée, on comprend :

le personnel autorisé de chauffage,
le personnel autorisé d'une compagnie de gaz, et
le personnel d'entretien autorisé.

Le non-respect de ces instructions peut causer un décès, une explosion ou un incendie.

REMARQUE : Lors de la pose de la table de cuisson au-dessus d'un four encastré, installer un raccord coudé à 90° (femelle 1/2" [1,3 cm] à mâle 1/2" [1,3 cm]) entre la tubulure de distribution de gaz et le détendeur. Le détendeur doit être réglé de sorte que sa flèche pointe vers la table de cuisson. Appliquer un composé d'étanchéité pour tuyauteries de gaz de pétrole liquéfié sur l'extrémité de la tubulure de distribution de la table de cuisson et sur l'extrémité mâle du raccord coudé à 90°.

Utiliser uniquement un composé d'étanchéité des tuyauteries conçu pour l'utilisation avec le gaz naturel ou le propane.

Ne pas utiliser de ruban TEFLON®†. Il sera nécessaire de choisir les raccords à utiliser en fonction de la configuration d'installation.

Raccordement typique par raccord flexible

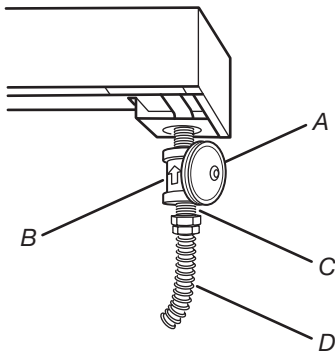
1. Appliquer un composé d'étanchéité des filetages résistant au propane sur l'extrémité filetée la plus grosse des adaptateurs de raccord flexible (voir B et F sur l'illustration suivante).
2. Fixer un raccord d'adaptation sur le régulateur de pression du gaz et l'autre raccord d'adaptation sur le robinet d'arrêt de la canalisation de gaz. Serrer les deux adaptateurs.
3. Utiliser une clé mixte de 15/16" (2,4 cm) et une pince multiprise pour fixer le raccord flexible sur les raccords d'adaptation. S'assurer que le raccord n'est pas déformé.

Il ne doit pas y avoir d'appareil ou d'obstacle en dessous de la table de cuisson

Configuration d'installation suggérée pour éviter tout blocage en-dessous de la table de cuisson

Assemblage du détendeur :

1. Installer le détendeur; orienter la flèche vers le haut, vers le fond de la boîte des brûleurs et de telle manière que le détendeur soit accessible.

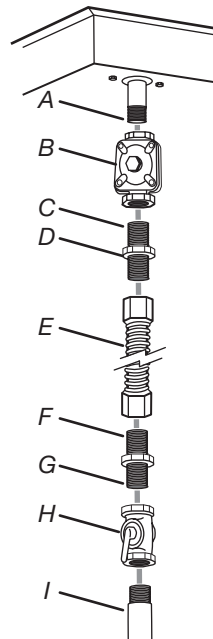


- A. Détendeur
B. Flèche vers le haut - Le détendeur doit être installé avec la flèche pointant vers le haut (vers le fond de la table de cuisson).
C. Adaptateur (doit comporter un filetage mâle de 1/2" [1,3 cm])
D. Canalisation de gaz flexible en acier inoxydable (homologation UL ou CSA)

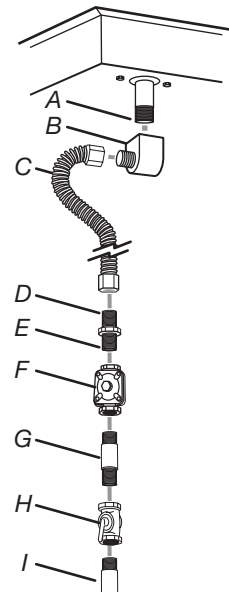
IMPORTANT : Tous les raccords doivent être bien serrés à l'aide d'une clé. Ne pas serrer excessivement la connexion sur le détendeur. Un serrage excessif pourrait provoquer une fissuration du détendeur et une fuite de gaz. Lors du serrage d'un raccord, empêcher le détendeur de tourner sur le tuyau.

2. Connecter le raccord flexible d'acier inoxydable au détendeur – utiliser un raccord d'adaptation comportant un filetage mâle de 1/2" (1,3 cm) (NPT).

On doit utiliser une combinaison de raccords de tuyauterie pour raccorder la table de cuisson à l'alimentation en gaz existante. On voit sur l'illustration ci-dessous un raccordement typique. Le raccordement peut varier, selon le type d'alimentation, la dimension et l'emplacement.



- A. Entrée de la tubulure de distribution
B. Détendeur
C. Utiliser un composé d'étanchéité pour tuyauteries.
D. Adaptateur (doit comporter un filetage mâle de 1/2" [1,3 cm])
E. Raccord flexible
F. Adaptateur
G. Utiliser un composé d'étanchéité pour tuyauteries.
H. Robinet d'arrêt manuel
I. Tuyauterie de gaz de 1/2" (1,3 cm) ou 3/4" (1,9 cm)

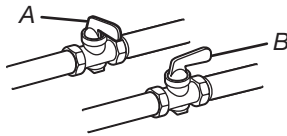


- A. Entrée de la tubulure de distribution
B. Coude (femelle 1/2" [1,3 cm] à mâle 1/2" [1,3 cm])
C. Raccord flexible (doit être acheminé à travers la paroi séparant les placards)
D. Adaptateur (doit comporter un filetage mâle de 1/2" [1,3 cm])
E. Utiliser un composé d'étanchéité pour tuyauteries.
F. Détendeur de l'appareil (fourni)
G. Tuyauterie de gaz de 1/2" (1,3 cm) ou 3/4" (1,9 cm)
H. Robinet d'arrêt manuel
I. Tuyauterie de gaz de 1/2" (1,3 cm) ou 3/4" (1,9 cm)

†TEFLON est une marque déposée de Chemours.

Achever le raccordement

- Ouvrir le robinet d'arrêt manuel sur la canalisation d'alimentation en gaz. Le robinet est ouvert lorsque la poignée est parallèle au conduit d'alimentation en gaz.

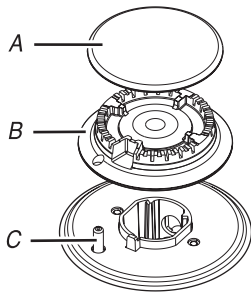


A. Robinet fermé
B. Robinet ouvert

- Vérifier tous les raccordements en les badigeonnant d'une solution de détection des fuites non corrosive approuvée. L'apparition de bulles indique une fuite. Réparer toute fuite éventuelle.

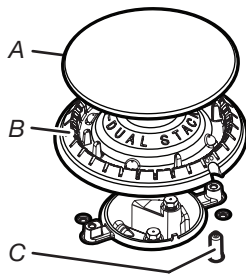
REMARQUE : Lorsqu'une seule vanne de fermeture est utilisée dans le cas d'une installation à plusieurs unités, la fermeture de la vanne aura pour effet de couper l'alimentation en gaz à l'ensemble des unités reliées.

- Installer les chapeaux et bases de tous les brûleurs.



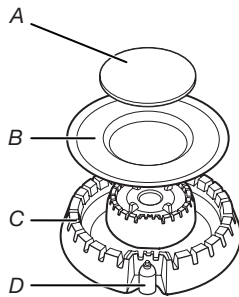
Brûleur simple

- A. Chapeau
B. Répartiteur
C. Électrode



Brûleur double

- A. Chapeau
B. Répartiteur
C. Électrode



Brûleur à double flamme

- A. Chapeau interior
B. Chapeau exterior
C. Répartiteur
D. Électrode

Installation - Brûleur simple ou double :

Pour installer le répartiteur (B), insérer l'électrode (C) dans le trou du répartiteur.

Brûleur à double flamme :

Poser les couvercles intérieurs et extérieurs sur le brûleur à double flamme.

Installer la grille de surface :

La grille de surface est positionnée correctement lorsqu'elle repose de niveau sur le comptoir et qu'elle ne bouge pas.

⚠ AVERTISSEMENT



Risque de choc électrique

Brancher sur une prise à 3 alvéoles reliée à la terre.

Ne pas enlever la broche de liaison à la terre.

Ne pas utiliser un adaptateur.

Ne pas utiliser un câble de rallonge.

Le non-respect de ces instructions peut causer un décès, un incendie ou un choc électrique.

- Brancher sur une prise de courant à 3 alvéoles, reliée à la terre.

Achever l'installation

Système d'allumage électronique

Contrôle du fonctionnement des brûleurs de surface

- Enfoncer et tourner les boutons de commande de brûleur de surface à IGNITE (allumage).

Le gaz doit s'enflammer sur le brûleur de surface en moins de 4 secondes. Lors de l'allumage initial du brûleur de surface, le délai d'allumage peut être supérieur à 4 secondes du fait de la présence d'air dans la canalisation de gaz.

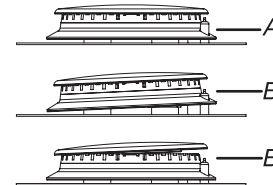
- Tourner le bouton de commande à la position HI (élevée) et vérifier que la flamme est bleue. Elle doit être propre et douce. On ne doit pas observer de pointe jaune, ni d'effet de soufflage ou de séparation entre les flammes et le brûleur. Il est normal d'observer parfois des éclairs oranges; ceci est dû à différents éléments dans l'air ou le gaz.
- Répéter à LO (basse).

REMARQUE : Dans le cas du brûleur double, seul l'anneau intérieur comportera une flamme.

- Répéter à SIMMER (mijotage).
- Après avoir vérifié le bon fonctionnement du brûleur, tourner les boutons de commande à OFF (arrêt).

Si les brûleurs ne s'allument pas correctement :

- Ramener le bouton de commande du brûleur de surface à OFF (arrêt).
- Vérifier que le cordon d'alimentation est branché et correctement alimenté (fusible grillé? disjoncteur ouvert?).
- Vérifier que chaque robinet d'arrêt de gaz est à la position ouverture.
- Vérifier que les chapeaux de brûleur sont correctement placés sur la base des brûleurs.



A. Correct
B. Incorrect

S'assurer à nouveau du bon fonctionnement des brûleurs. Si à ce stade un brûleur ne s'allume pas, appeler **1-800-JENN-AIR (1-800-536-6247)**.

Notes

