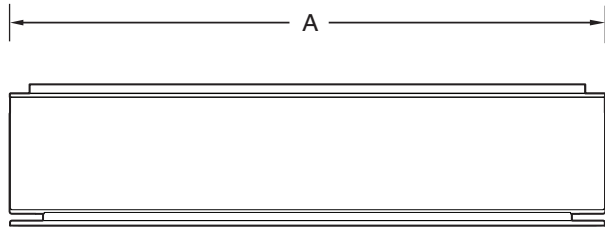


# JENNAIR DETAILED PLANNING DIMENSIONS

## SMALL WARMING DRAWERS

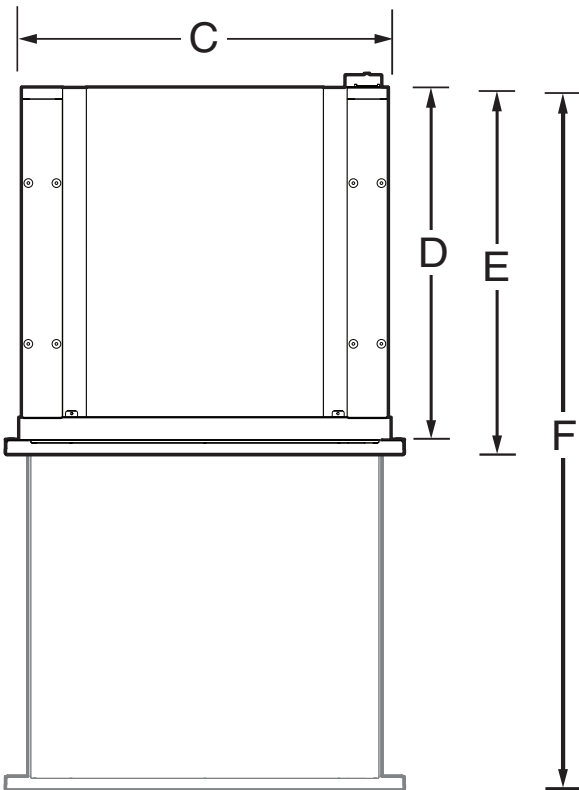
**JJD3024H – 23<sup>7</sup>/<sub>16</sub>" x 5<sup>9</sup>/<sub>16</sub>" x 22<sup>3</sup>/<sub>8</sub>"**

### PRODUCT DIMENSIONS



**FRONT VIEW**

MODEL #		JJD3024HM		JJD3024HL	
		in	cm	in	cm
A	Overall width (max.)	23 <sup>7</sup> / <sub>16</sub>	59.5	23 <sup>7</sup> / <sub>16</sub>	59.5
B	Overall height (max.)	5 <sup>9</sup> / <sub>16</sub>	14.1	5 <sup>9</sup> / <sub>16</sub>	14.1
C	Width of recessed warming drawer	21 <sup>9</sup> / <sub>16</sub>	54.8	21 <sup>9</sup> / <sub>16</sub>	54.8
D	Depth of recessed warming drawer	21 <sup>7</sup> / <sub>16</sub>	54.4	21 <sup>7</sup> / <sub>16</sub>	54.4
E	Depth with drawer front	22 <sup>3</sup> / <sub>8</sub>	56.8	22 <sup>3</sup> / <sub>8</sub>	56.8
F	Depth with door open	37 <sup>1</sup> / <sub>4</sub>	94.6	37 <sup>1</sup> / <sub>4</sub>	94.56



**TOP VIEW**

**IMPORTANT:** Dimensional specifications are provided for planning purposes only. Do not make any cutouts based on this information. Refer to the Installation Guide before selecting cabinetry, verifying electrical/gas connections, making cutouts or beginning installation. All JennAir® appliances are appropriately UL, CUL or CSA approved.

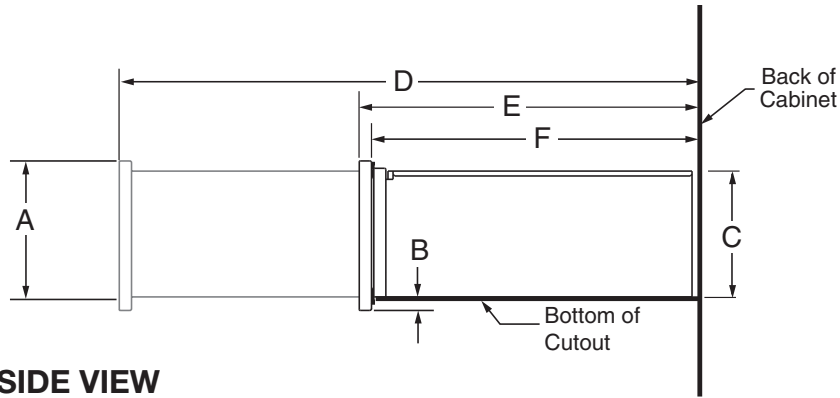


# JENNAIR DETAILED PLANNING DIMENSIONS

## SMALL WARMING DRAWERS

**JJD3024H – 23<sup>7</sup>/<sub>16</sub>" x 5<sup>9</sup>/<sub>16</sub>" x 22<sup>3</sup>/<sub>8</sub>"**

### DIMENSIONS AS INSTALLED



### SIDE VIEW

MODEL #		JJD3024HM		JJD3024HL	
		in	cm	in	cm
A	Height to top of drawer (max.)	4 <sup>3</sup> / <sub>4</sub>	12.1	4 <sup>3</sup> / <sub>4</sub>	12.1
B	Height of drawer extending below cutout	1/2	1.19	1/2	1.19
C	Height of recessed warming drawer	5 <sup>1</sup> / <sub>16</sub>	12.9	5 <sup>1</sup> / <sub>16</sub>	12.9
D	Depth with door open	37 <sup>1</sup> / <sub>4</sub>	94.6	37 <sup>1</sup> / <sub>4</sub>	94.6
E	Depth with drawer front	22 <sup>3</sup> / <sub>8</sub>	56.8	22 <sup>3</sup> / <sub>8</sub>	56.8
F	Depth of recessed warming drawer	21 <sup>7</sup> / <sub>16</sub>	54.4	21 <sup>7</sup> / <sub>16</sub>	54.4
G	Power cord envelop height	11/16	1.8	11/16	1.8

**IMPORTANT:** Dimensional specifications are provided for planning purposes only. Do not make any cutouts based on this information. Refer to the Installation Guide before selecting cabinetry, verifying electrical/gas connections, making cutouts or beginning installation. All JennAir® appliances are appropriately UL, CUL or CSA approved.

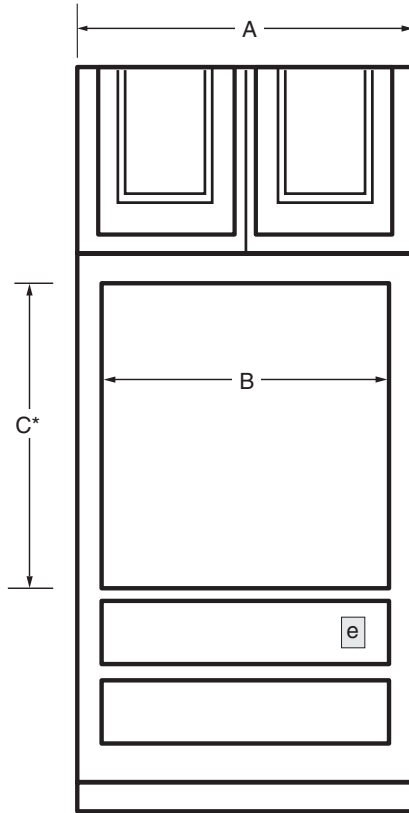


# JENNAIR DETAILED PLANNING DIMENSIONS

## SMALL WARMING DRAWERS - STANDARD INSTALLATION

**JJD3024H – 23<sup>7</sup>/<sub>16</sub>" x 5<sup>9</sup>/<sub>16</sub>" x 22<sup>3</sup>/<sub>8</sub>"**

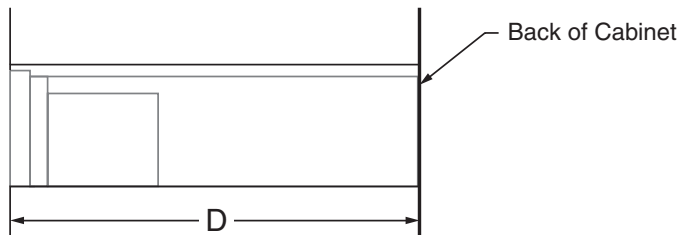
### OPENING/CLEARANCE DIMENSIONS



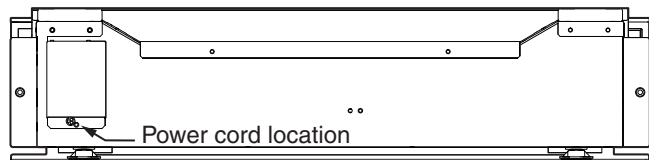
MODEL #		JJD3024HM		JJD3024HL	
		in	cm	in	cm
A	Width of cabinet (min.)	23 <sup>5</sup> / <sub>8</sub>	60	23 <sup>5</sup> / <sub>8</sub>	60
B	Width of cutout	21 <sup>11</sup> / <sub>16</sub>	55	21 <sup>11</sup> / <sub>16</sub>	55
C*	Height of cutout	22 <sup>15</sup> / <sub>16</sub>	58.2	22 <sup>15</sup> / <sub>16</sub>	58.2
D	Depth of cutout (min.)	21 <sup>11</sup> / <sub>16</sub>	55	21 <sup>11</sup> / <sub>16</sub>	55
e	Recommended outlet location				

\*Height for installation of JJD3024 under JJW6024, JMC6224 or JJB6424

### FRONT VIEW



### SIDE VIEW



### BACK VIEW

**IMPORTANT:** Dimensional specifications are provided for planning purposes only. Do not make any cutouts based on this information. Refer to the Installation Guide before selecting cabinetry, verifying electrical/gas connections, making cutouts or beginning installation. All JennAir® appliances are appropriately UL, CUL or CSA approved.

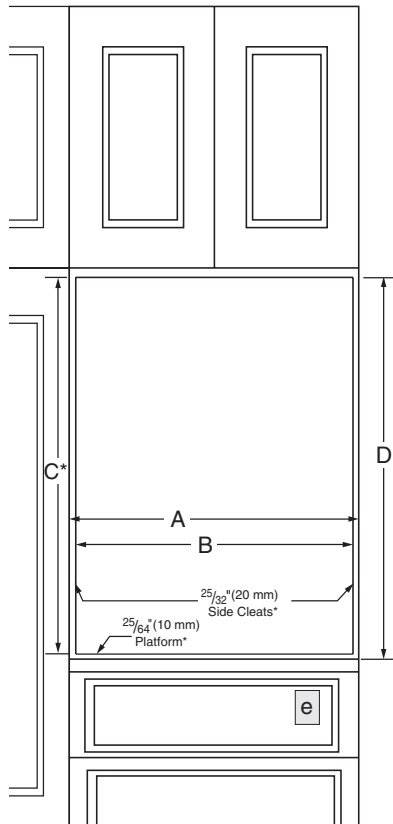


# JENNAIR DETAILED PLANNING DIMENSIONS

## SMALL WARMING DRAWERS - FLUSH INSTALLATION

**JJD3024H – 23<sup>7</sup>/<sub>16</sub>" x 5<sup>9</sup>/<sub>16</sub>" x 22<sup>3</sup>/<sub>8</sub>"**

### OPENING/CLEARANCE DIMENSIONS



**FRONT VIEW**

MODEL #		JJD3024HM		JJD3024HL	
		in	cm	in	cm
A	Width of flush inset cutout (min.)	23 <sup>11</sup> / <sub>16</sub>	60.2	23 <sup>11</sup> / <sub>16</sub>	60.2
B	Width of opening (min.)	21 <sup>11</sup> / <sub>16</sub>	55	21 <sup>11</sup> / <sub>16</sub>	55
C*	Height of opening (min.)	23 <sup>15</sup> / <sub>16</sub>	58.2	23 <sup>15</sup> / <sub>16</sub>	58.2
D	Height of flush inset cutout (min.)	23 <sup>3</sup> / <sub>4</sub>	60.3	23 <sup>3</sup> / <sub>4</sub>	60.3
E	Depth of cutout (min.)	21 <sup>11</sup> / <sub>16</sub> - 22 <sup>1</sup> / <sub>2</sub>	55 - 57.2	21 <sup>11</sup> / <sub>16</sub> - 22 <sup>9</sup> / <sub>16</sub>	55 - 57.3
e	Recommended outlet location				

\*Height for installation of JJD3024 under JJW6024, JMC6224 or JJB6424

### ELECTRICAL REQUIREMENTS

120 V, 60 Hz, AC only, 15 A fused, electrical circuit is required. A dedicated circuit is recommended.

If the outlet is on the rear wall behind the warming drawer, it must be recessed and located in the upper right-hand corner. If outlet is located in an adjacent cabinet, drill a 1<sup>3</sup>/<sub>8</sub>" (3.5 cm) minimum diameter hole in the side wall or support surface to access the power supply cord.

### LOCATION REQUIREMENTS

Support surface must be solid, level and flush with the bottom of the cabinet cutout.

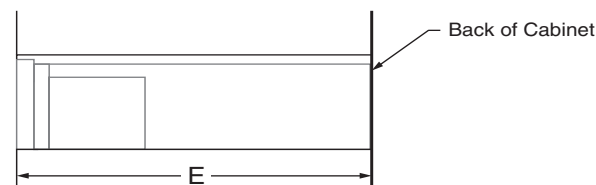
The warming drawer must be leveled before completing installation.

### FLUSH INSTALLATION REQUIREMENTS

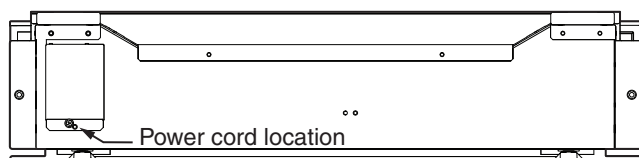
A 22<sup>9</sup>/<sub>16</sub>" (57.3 cm) minimum cutout depth is required.

These dimensions will result in a 1/8" (3 mm) reveal on all sides of the warming drawer.

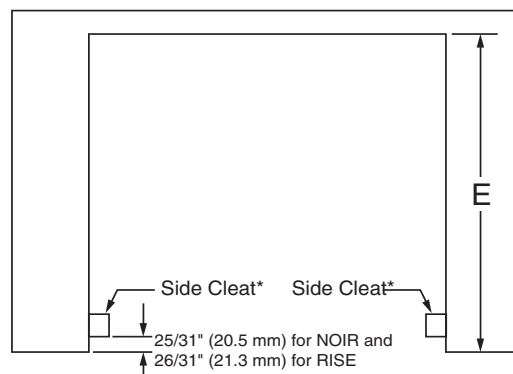
The front face of the cleats and platforms will be visible and should be treated as a finished surface.



**SIDE VIEW**



**BACK VIEW**



**TOP VIEW**

\*Cleats and platform must be recessed 13/16" (2.1 cm) for NOIR and 7/8" (2.2 cm) for RISE from the front of the cabinet.

**IMPORTANT:** Dimensional specifications are provided for planning purposes only. Do not make any cutouts based on this information. Refer to the Installation Guide before selecting cabinetry, verifying electrical/gas connections, making cutouts or beginning installation. All JennAir® appliances are appropriately UL, CUL or CSA approved.



W11308123A

Installation Instruction W11260097