



INSTALLATION INSTRUCTIONS

SMALL BUILT-IN SPEED OVEN

INSTRUCTIONS D'INSTALLATION

PETIT FOUR À CUISSON RAPIDE ENCASTRÉ

Table of Contents/Table des matières

BUILT-IN MICROWAVE OVEN SAFETY 1 INSTALLATION REQUIREMENTS 2 Tools and Parts..... 2 Location Requirements..... 2 Minimum Dimensions..... 3 Electrical Requirements 5 INSTALLATION INSTRUCTIONS 6 Prepare Built-In Microwave Oven 6 Make Electrical Connection 6 Install Microwave Oven..... 7 Complete Installation 7	SÉCURITÉ DU FOUR À MICRO-ONDES ENCASTRÉ 8 EXIGENCES D'INSTALLATION 9 Outils et pièces..... 9 Exigences d'emplacement..... 9 Dimensions minimales 10 Spéci cations électriques 12 INSTRUCTIONS D'INSTALLATION 13 Préparation du four à micro-ondes encastré..... 13 Raccordement électrique..... 13 Installation du four à micro-ondes 14 Terminer l'installation..... 14
--	---

BUILT-IN MICROWAVE OVEN SAFETY

Your safety and the safety of others are very important.

We have provided many important safety messages in this manual and on your appliance. Always read and obey all safety messages.



This is the safety alert symbol.

This symbol alerts you to potential hazards that can kill or hurt you and others.

All safety messages will follow the safety alert symbol and either the word "DANGER" or "WARNING."

These words mean:

DANGER

You can be killed or seriously injured if you don't immediately follow instructions.

WARNING

You can be killed or seriously injured if you don't follow instructions.

All safety messages will tell you what the potential hazard is, tell you how to reduce the chance of injury, and tell you what can happen if the instructions are not followed.

IMPORTANT:

Save for local electrical inspector's use.

IMPORTANT :

À conserver pour consultation par l'inspecteur local des installations électriques.

INSTALLATION REQUIREMENTS

Tools and Parts

Gather the required tools and parts before starting installation. Read and follow the instructions provided with any tools listed here.

Tools Needed

- PZ2® Pozidriv®† screwdriver
- Flat-blade screwdriver
- Measuring tape
- Level
- Drill (for wall cabinet installations)
- PZ2® 4x12 for bottom trim
- PZ2® 4x25 for oven installation on cabinet

Parts Needed

- UL listed wire connectors

Parts Supplied

- Spacer bars (2)
- Bottom trim (1) (optional)

Check local codes. Check existing electrical supply. See “Electrical Requirements.”

It is recommended that all electrical connections be made by a licensed, qualified electrical installer.

Location Requirements

IMPORTANT: Observe all governing codes and ordinances.

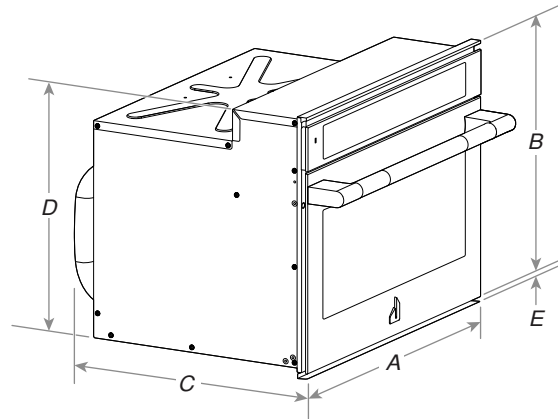
- Cabinet opening dimensions that are shown must be used. Given dimensions provide minimum clearance with microwave oven.
- Recessed installation area must provide complete enclosure around the recessed portion of the microwave oven.
- Grounded electrical supply is required. See “Electrical Requirements” section.
- Electrical supply junction box should be located 3" (7.6 cm) maximum below the support surface when the microwave oven is installed in a wall cabinet. A 1" (2.5 cm) minimum diameter hole should have been drilled in the left rear corner of the support surface to pass the appliance cable through to the junction box.

- For installation above single built-in oven, the junction box must be located inside upper cabinet.
- If you are installing the junction box on rear wall behind the microwave oven, the junction box must be recessed and located in the upper or lower right or left corner of the cabinet; otherwise, the microwave oven will not fit into the cabinet opening.
- Microwave oven support surface must be solid, level, and flush with bottom of cabinet cutout. Floor must be able to support a weight of 90 lbs (41.0 kg).

IMPORTANT: To avoid damage to your cabinets, check with your builder or cabinet supplier to make sure that the materials used will not discolor, delaminate, or sustain other damage. This oven has been designed in accordance with the requirements of UL and CSA International and complies with the maximum allowable wood cabinet temperatures of 194°F (90°C).

Product Dimensions

23⁵/₈" (60.0 cm) Microwave Oven



- A. 23⁷/₁₆" (59.5 cm)
- B. 17¹⁵/₁₆" (45.6 cm)
- C. 21⁷/₈" (55.6 cm)
- D. 17⁹/₁₆" (44.6 cm)
- E. 3/8" (1 cm)

NOTE: True dimensions are in cm and converted to inches.

†PZ2 and POZIDRIV are registered trademarks of Phillips Screw Company.

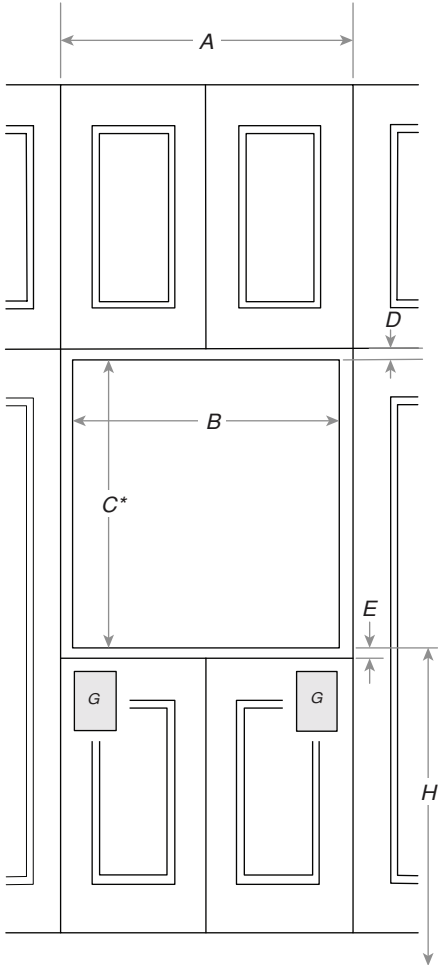
Minimum Dimensions

Cabinet Dimensions - Standard Installation

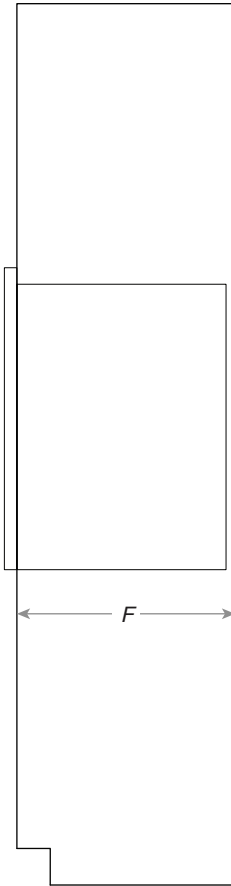
For proper installation, the following minimum clearances must exist above and below the cutout opening.

Installed in Cabinet

Front View



Rear View



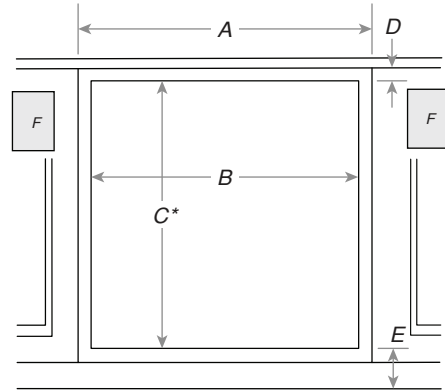
- A. $23\frac{5}{8}$ " (60 cm) minimum width of cabinet
- B. 22" (55.8 cm) width of cutout
- C. $17\frac{3}{4}$ " (45 cm) recommended height of cutout*
- D. $\frac{1}{2}$ " (1.2 cm) minimum top of cutout to bottom of upper cabinet door
- E. $\frac{1}{2}$ " (1.2 cm) minimum bottom of cutout to top of lower cabinet door or $\frac{5}{16}$ " (8 mm) without bottom trim installed
- F. $21\frac{1}{16}$ " (53.5 cm) minimum depth of cutout
- g. Recommended junction box location
- H. $36\frac{9}{16}$ " (92.8 cm) minimum bottom of cutout to floor (Canada only)

NOTE: True dimensions are in mm or cm and converted to inches.

Installed under Counter

(Without cooktop installed above)

NOTE: Under counter oven installation can only be done in the US. Canada cannot install this oven under the counter.



- A. $23\frac{5}{8}$ " minimum (60 cm) width of cabinet
- B. 22" (55.8 cm) width of cutout
- C. $17\frac{3}{4}$ " (45 cm) recommended height of cutout*
- D. $\frac{1}{2}$ " (1.2 cm) top of cutout to underside of countertop
- E. $\frac{1}{2}$ " (1.2 cm) bottom of cutout to floor or $\frac{5}{16}$ " (8 mm) without bottom trim installed
- f. Recommended junction box location

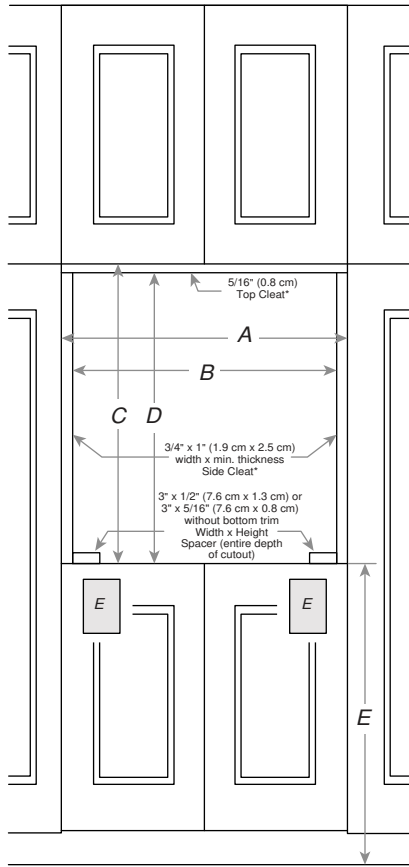
*Will fit cutout height from $17\frac{9}{16}$ " (44.6 cm) to $17\frac{15}{16}$ " (45.6 cm).

NOTE: True dimensions are in mm or cm and converted to inches.

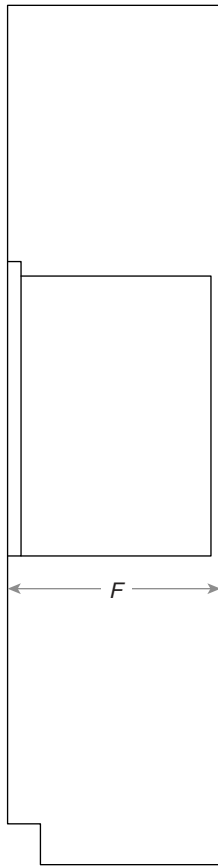
Cabinet Dimensions - Flush Installation

Installed in Cabinet

Front View



Rear View



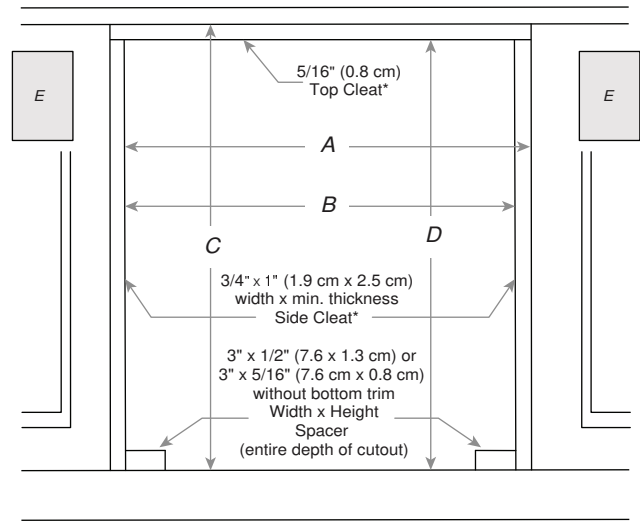
- A. $23^{11}/16$ " (60.2 cm) width of flush inset cutout (min.)
- B. 22" (55.9 cm) width of opening (min.)
- C. $18^{8}/16$ " (47.2 cm) height of flush inset cutout (min.)
- D. $18^{1}/4$ " (46.4 cm) height of opening (min.)
- E. $36^{1}/16$ " (91.6 cm) Bottom of cutout to floor
- F. $21^{7}/8$ " (55.6 cm) depth of cutout (min.)
- e. Recommended junction box location

NOTE: True dimensions are in cm and converted to inches.

Installed under Counter

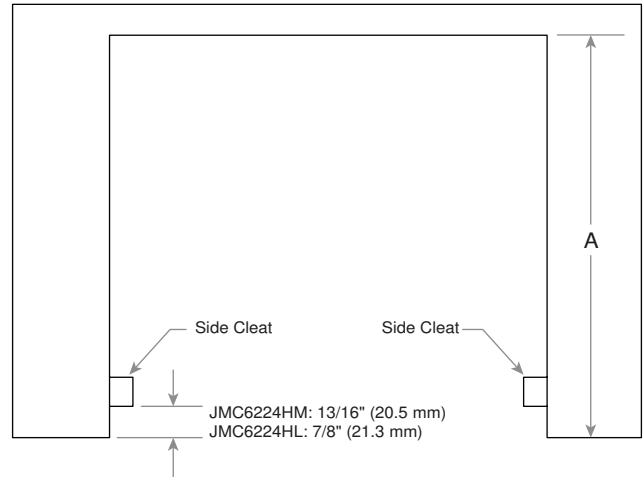
(Without cooktop installed above)

NOTE: Under counter oven installation can only be done in the US. Canada cannot install this oven under the counter.



- A. $23^{11}/16$ " (60.2 cm) width of flush inset cutout (min.)
- B. 22" (55.9 cm) width of opening (min.)
- C. $18^{8}/16$ " (47.2 cm) height of flush inset cutout (min.)
- D. $18^{1}/4$ " (46.4 cm) height of opening (min.)
- e. Recommended junction box location

Top View



- A. $21^{7}/8$ " (55.6 cm) Depth of cutout (min.)

NOTE: True dimensions are in mm or cm and converted to inches.

Electrical Requirements

GROUNDING INSTRUCTIONS

For a permanently connected microwave oven:

The microwave oven must be connected to a grounded, metallic, permanent wiring system, or an equipment grounding conductor should be run with the circuit conductors and connected to the equipment grounding terminal or lead on the microwave oven.

SAVE THESE INSTRUCTIONS

If codes permit and a separate ground wire is used, it is recommended that a qualified electrical installer determine that the ground path and wire gauge are in accordance with local codes.

Check with a qualified electrical installer if you are not sure the oven is properly grounded.

This oven must be connected to a grounded metal, permanent wiring system.

Be sure that the electrical connection and wire size are adequate and in conformance with the National Electrical Code, ANSI/NFPA 70 – latest edition or CSA Standards C22.1-94, Canadian Electrical Code, Part 1 and C22.2 No. O-M91 – latest edition, and all local codes and ordinances.

A copy of the above code standards can be obtained from:

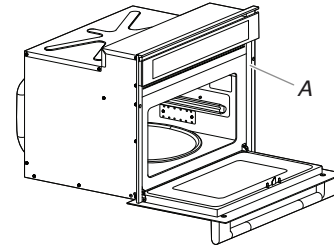
National Fire Protection Association
1 Batterymarch Park
Quincy, MA 02169-7471

CSA International
8501 East Pleasant Valley Road
Cleveland, OH 44131-5575

Electrical Connection

To properly install your microwave oven, you must determine the type of electrical connection you will be using and follow the instructions provided for it here.

- Microwave oven must be connected to the proper electrical voltage and frequency as specified on the model/serial/rating plate. The model/serial/rating tag is located on the left side of the oven frame.



A. Model/serial/rating plate

- The microwave oven rated 240 V, 20 A, has 4 wires (L1, L2, N, and G) in the flex conduit, and should be connected to a 20 A maximum-rated circuit, overcurrent protected on both the L1 and L2 circuits.
- A time-delay fuse or circuit breaker is recommended.
- Flexible cable from the microwave oven should be connected directly to the junction box.
- Do not cut the conduit. The length of conduit provided is for serviceability of the microwave oven.
- A UL listed or CSA approved conduit connector must be provided.
- If the house has aluminum wiring, follow the procedure below:
Connect the aluminum wiring using special connectors and/or tools designed and UL listed for joining copper to aluminum.
Follow the electrical connector manufacturer's recommended procedure. Aluminum/copper connection must conform with local codes and industry accepted wiring practices.

For power requirements, refer to the following table.

Voltage	Microwave With Convection Oven
120/240 VAC	19.9 A/3400 W
120/208 VAC	19.9 A/3400 W

INSTALLATION INSTRUCTIONS

Prepare Built-In Microwave Oven

1. Locate existing wiring to avoid drilling into or severing wiring during installation.

⚠️ WARNING

Excessive Weight Hazard

Use two or more people to move and install microwave oven.

Failure to do so can result in back or other injury.

2. To avoid floor damage, set the microwave oven onto cardboard prior to installation. Do not use handle or any portion of the front frame for lifting.
3. Remove the shipping materials and tape from the microwave oven.
4. Remove and set aside racks and other items from inside the microwave oven.
5. Remove the hardware package from inside the bag containing literature.
6. Move the microwave oven and cardboard close to the microwave oven's final location.

Make Electrical Connection

⚠️ WARNING



Electrical Shock Hazard

Disconnect power before servicing.

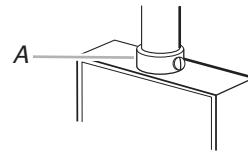
Use 12 gauge copper wire.

Electrically ground oven.

Failure to follow these instructions can result in death, fire, or electrical shock.

The microwave oven is manufactured with a neutral (white) power supply wire and a cabinet-connected yellow-green ground wire.

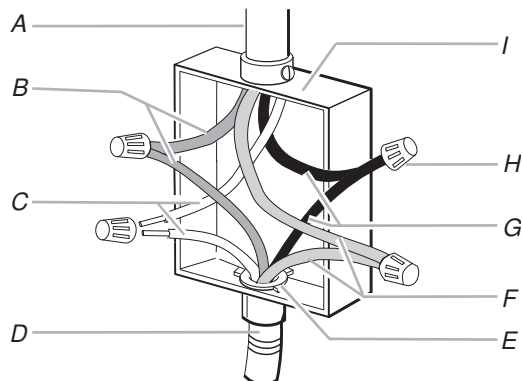
1. Disconnect power.
2. Feed the flexible conduit from the microwave oven through the opening in the cabinet.
3. Remove junction box cover if it is present.
4. Install a UL listed or CSA approved conduit connector to the junction box.



A. UL listed or CSA approved conduit connector

5. Route the flexible conduit from the microwave oven to the junction box through a UL listed or CSA approved conduit connector.
6. Tighten screws on conduit connector.
7. Complete electrical connection.

3-Wire Cable with Ground from Home Power Supply to Microwave Oven Cable with 4 Wires



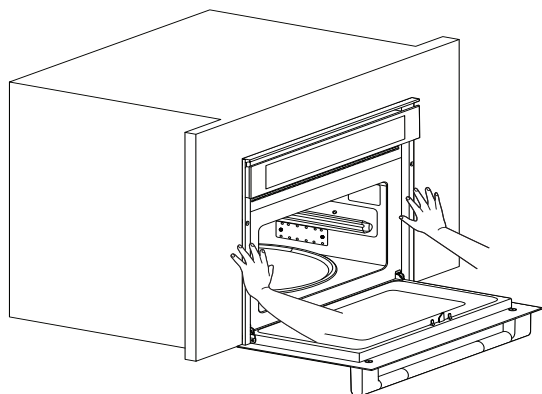
- | | |
|-------------------------------------|--|
| A. Cable from home power supply | E. UL listed or CSA approved conduit connector |
| B. Yellow-green wires | F. Red wires |
| C. White wires | G. Black wires |
| D. 4-wire cable from microwave oven | H. UL listed wire connector |
| | I. Junction box |

1. Connect the 2 black wires (G) together using a UL listed wire connector.
2. Connect the 2 white wires (C) using a UL listed wire connector.
3. Connect the 2 red wires (F) together using a UL listed wire connector.
4. Connect the 2 yellow-green wires (B) together using a UL listed wire connector.
5. Install junction box cover.

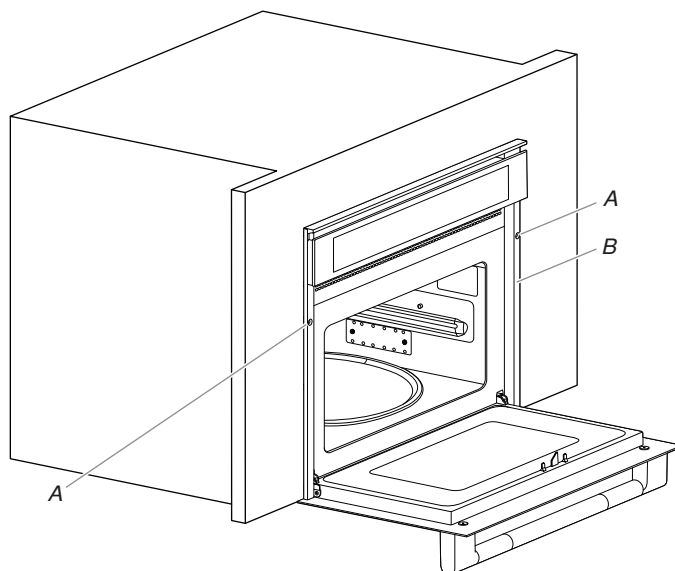
Install Microwave Oven

1. Using 2 or more people, lift the microwave oven partially into the cabinet cutout. If a spacer kit has been installed, lift the microwave oven over it and position the microwave oven between the guide strips.
2. Push against the front frame of the microwave oven to insert oven into cabinet. Push microwave oven completely into cabinet and center in cabinet cutout.

NOTE: Open microwave oven door and push against seal area of microwave oven front frame when pushing microwave oven into cabinet. Do not push against outside edges.



3. Securely fasten microwave oven to cabinet using two 3/4" (1.9 cm) at-head screws provided. Insert the screws through holes in mounting rails. Do not overtighten screws.



- A. Flat-head screws
B. Mounting rail

4. Replace convection grid, turntable, and support hub.
5. Reconnect power.
6. Display panel will light briefly and the clock should appear in the display.
7. If display panel does not light, please reference the "Assistance or Service" section of the Use and Care Guide or contact the dealer from whom you purchased your microwave oven.

Complete Installation

1. Check that all parts are now installed. If there is an extra part, go back through the steps to see which step was skipped.
2. Check that you have all of your tools.
3. Dispose of recycle all packaging materials.
4. For microwave oven use and cleaning, read the Use and Care Guide.

If you need Assistance or Service:

Please reference the "Assistance or Service" section of the Use and Care Guide or contact the dealer from whom you purchased your built-in microwave oven.

SÉCURITÉ DU FOUR À MICRO-ONDES ENCASTRÉ

Votre sécurité et celle des autres est très importante.

Nous donnons de nombreux messages de sécurité importants dans ce manuel et sur votre appareil ménager. Assurez-vous de toujours lire tous les messages de sécurité et de vous y conformer.



Voici le symbole d'alerte de sécurité.

Ce symbole d'alerte de sécurité vous signale les dangers potentiels de décès et de blessures graves à vous et à d'autres.

Tous les messages de sécurité suivront le symbole d'alerte de sécurité et le mot "DANGER" ou "AVERTISSEMENT". Ces mots signifient :

⚠ DANGER

Risque possible de décès ou de blessure grave si vous ne suivez pas immédiatement les instructions.

⚠ AVERTISSEMENT

Risque possible de décès ou de blessure grave si vous ne suivez pas les instructions.

Tous les messages de sécurité vous diront quel est le danger potentiel et vous disent comment réduire le risque de blessure et ce qui peut se produire en cas de non-respect des instructions.

EXIGENCES D'INSTALLATION

Outils et pièces

Rassembler les outils et pièces nécessaires avant d'entreprendre l'installation. Lire et observer les instructions fournies avec chacun des outils de la liste ci-dessous.

Outils nécessaires

- Tournevis PZ2® Pozidriv®†
- Tournevis à lame plate
- Ruban à mesurer
- Niveau
- Perceuse (pour l'installation dans une armoire murale)
- 4 x 12 PZ2® pour la garniture inférieure
- 4 x 25 PZ2® 4x25 pour l'installation du four à l'armoire

Pièces nécessaires

- Capuchons de connexion (homologation UL)

Pièces fournies

- Entretoises (2)
- Garniture inférieure (1)

Consulter les codes locaux. Vérifier l'alimentation électrique existante. Consulter les "Spécifications électriques".

Il est recommandé de faire réaliser tous les raccordements électriques par un électricien qualifié agréé.

Exigences d'emplacement

IMPORTANT : Observer les dispositions de tous les codes et règlements en vigueur.

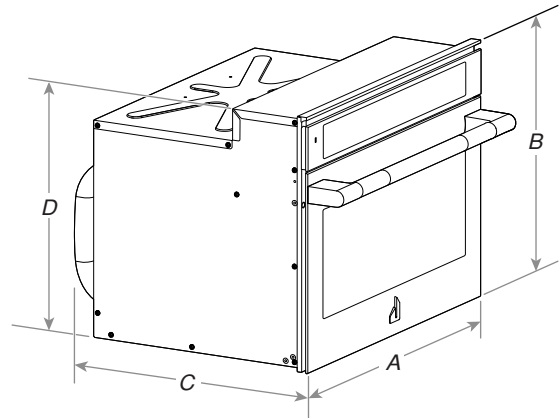
- Les dimensions d'ouverture de l'armoire indiquées doivent être utilisées. Ces dimensions tiennent compte des dégagements de séparation minimaux nécessaires pour le four à micro-ondes.
- L'espace d'installation doit permettre la formation d'une enceinte complète autour de la partie encastrée du four à micro-ondes.
- Une source d'électricité avec liaison à la terre est nécessaire. Voir la section "Spécifications électriques".
- Le boîtier de connexion doit être situé 3 po (7,6 cm) maximum au-dessous de la surface d'appui lorsque le four est installé dans une armoire murale. Un trou d'un diamètre minimal de 1 po (2,5 cm) doit avoir été percé dans l'angle arrière gauche de la surface de support pour le passage du câble d'alimentation de l'appareil jusqu'au boîtier de connexion.

- Pour une installation au-dessus d'un seul four encastré, le boîtier de connexion doit se trouver à l'intérieur de l'armoire murale.
- Si l'on installe le boîtier de connexion sur le mur arrière, derrière le four à micro-ondes, le boîtier de connexion doit être encastré et placé dans l'angle inférieur ou supérieur de l'armoire, à gauche ou à droite, sans quoi le four ne pourra pas passer dans l'ouverture de l'armoire destinée à le recevoir.
- La surface de support du four à micro-ondes doit être robuste, horizontale et en afféurement avec le bas de l'ouverture découpée dans l'armoire. Le plancher doit pouvoir supporter un poids de 90 lb (41 kg).

IMPORTANT : Pour éviter d'endommager les armoires, consulter le constructeur de la maison ou le fabricant des armoires pour déterminer si les matériaux utilisés peuvent subir un changement de couleur, une déstratification ou d'autres dommages. Ce four a été conçu conformément aux exigences des normes UL et CSA International et respecte les températures maximums permises de 194 °F (90 °C) pour les armoires en bois.

Dimensions du produit

Fours à micro-ondes de 23⁵/₈ po (60 cm)



- A. 23⁷/₁₆ po (59,5 cm)
- B. 17⁵/₁₆ po (45,6 cm)
- C. 21⁷/₈ po (55,6 cm)
- D. 17⁹/₁₆ po (44,6 cm)

† PZ2 et POZIDRIV sont des marques déposées de Phillips Screw Company.

Dimensions minimales

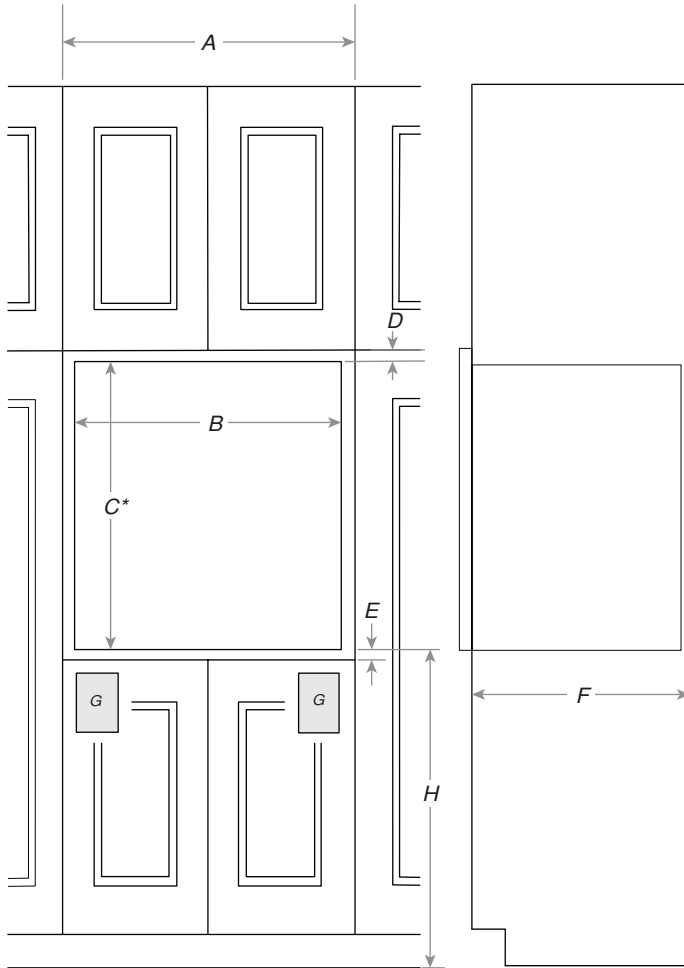
Dimensions de l'armoire – Installation standard

Pour une installation correcte, les distances de dégagement minimales suivantes doivent être respectées, au-dessus et au-dessous de l'ouverture à découper.

Four installé dans une armoire

Vue avant

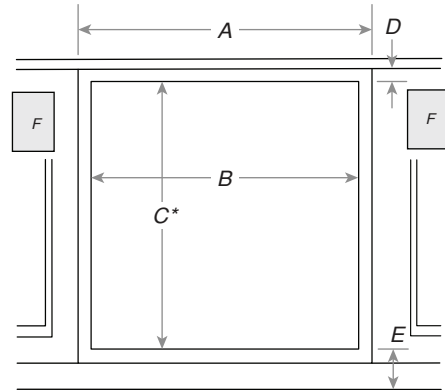
Vue arrière



- A. Largeur minimum de l'armoire : $23\frac{5}{8}$ po (60 cm)
- B. Largeur de la découpe : 22 po (55,8 cm)
- C. Hauteur recommandée de l'encastrement : $17\frac{3}{4}$ po (45 cm)*
- D. Distance minimum du haut de la découpe au bas de la porte de l'armoire supérieure : $1/2$ po (1,2 cm)
- E. Distance minimum du bas de la découpe au haut de la porte de l'armoire inférieure : $1/2$ po (1,2 cm)
- F. Profondeur minimum de la découpe : $21\frac{1}{16}$ po (53,5 cm)
- H: Distance minimale du fond de l'ouverture au sol:
 $36\frac{9}{16}$ po (92,8 cm) (Canada seulement)
- g. Emplacement recommandé pour la boîte de connexion

Installation sous un comptoir (sans table de cuisson au-dessus)

REMARQUE : L'installation d'un four sous un comptoir ne peut être effectuée qu'aux É.-U. Ce four ne peut être installé sous un comptoir au Canada.



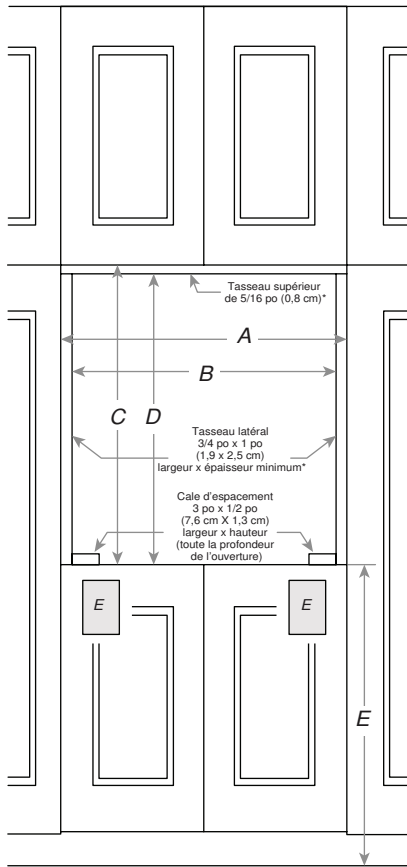
- A. Largeur minimum de l'armoire : $23\frac{5}{8}$ po (60 cm)
- B. Largeur de la découpe : 22 po (55,8 cm)
- C. Hauteur recommandée de l'encastrement : $17\frac{3}{4}$ po (45 cm)*
- D. Du dessus de la découpe au-dessous du plan de travail : $1/2$ po (1,2 cm)
- E. Du bas de la découpe au plancher : $1/2$ po (1,2 cm)
- f. Emplacement recommandé pour la boîte de connexion

*Convient à une ouverture avec hauteur comprise entre $17\frac{9}{16}$ po (44,6 cm) et $17\frac{15}{16}$ po (45,6 cm).

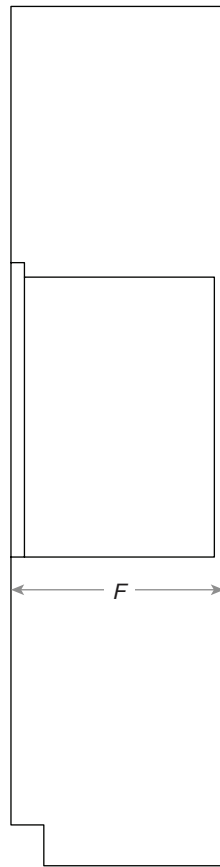
Dimensions de l'armoire – Installation en affleurement

Four installé dans une armoire

Vue avant



Vue arrière

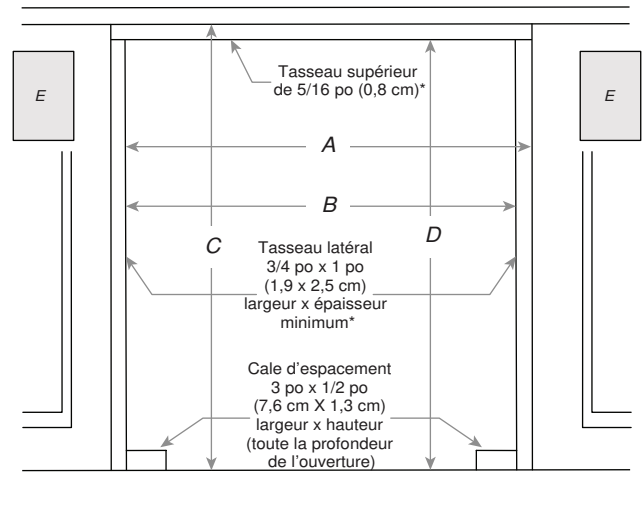


- A. Largeur minimum de la découpe pour l'insertion en affleurement : 23 ¹¹/₁₆ po (60,2 cm)
- B. Largeur minimum de l'ouverture : 22 po (55,9 cm)
- C. Hauteur minimale de l'ouverture pour une insertion en affleurement : 18 ⁹/₁₆ po (47,2 cm)
- D. Hauteur minimum de l'ouverture : 18 ¹/₄ po (46,4 cm)
- E. Du bas de la découpe au plancher : 36 ¹/₁₆ po (91,6 cm)
- F. Profondeur minimum de la découpe : 21 ⁷/₈ po (55,6 cm)
- e. Emplacement recommandé pour la boîte de connexion

Installation sous un comptoir

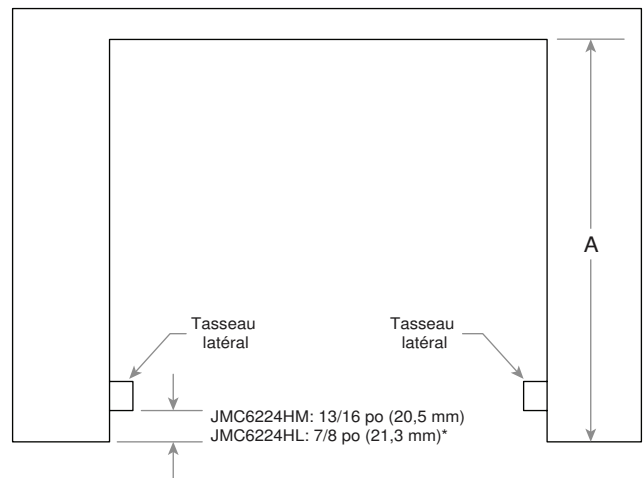
(sans table de cuisson au-dessus)

REMARQUE : L'installation d'un four sous un comptoir ne peut être effectuée qu'aux E.-U. Ce four ne peut être installé sous un comptoir au Canada.



- A. Largeur minimum de la découpe pour l'insertion en affleurement : 23 ¹¹/₁₆ po (60,2 cm)
- B. Largeur minimum de l'ouverture : 22 po (55,9 cm)
- C. Hauteur minimale de l'ouverture pour une insertion en affleurement : 18 ⁹/₁₆ po (47,2 cm)
- D. Hauteur minimum de l'ouverture : 18 ¹/₄ po (46,4 cm)
- e. Emplacement recommandé pour la boîte de connexion

Vue de dessus



- A. Profondeur minimum de la découpe : 21 ⁷/₈ po (55,6 cm)

Spécifications électriques

INSTRUCTIONS DE LIAISON À LA TERRE

Pour un four à micro-ondes raccordé en permanence :

Le four à micro-ondes doit être raccordé à un système de câblage permanent en métal relié à la terre, ou le câblage d'alimentation doit inclure un conducteur de liaison à la terre connecté à la borne ou à un fil de liaison à la terre sur le four à micro-ondes.

CONSERVER CES INSTRUCTIONS

Si l'on utilise un conducteur distinct de liaison à la terre lorsque les codes le permettent, il est recommandé qu'un électricien qualifié vérifie que la liaison à la terre et le calibre des conducteurs sont conformes aux codes locaux.

En cas de doute quant à la qualité de la liaison à la terre du four, consulter un électricien qualifié.

Ce four doit être raccordé à un système permanent, métallique de câblage relié à la terre.

S'assurer que la connexion électrique et le calibre des fils sont appropriés et conformes au National Electrical Code, aux normes ANSI/NFPA 70 – dernière édition, ou aux normes CSA C22.1-94, au Code canadien de l'électricité, Partie 1 et C22.2 N° O-M91 – dernière édition, et à tous les codes et règlements locaux.

Pour obtenir un exemplaire des normes des codes ci-dessus, contacter :

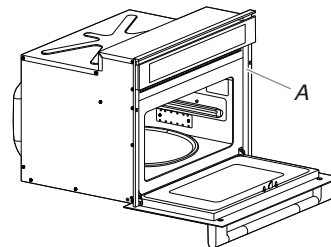
National Fire Protection Association
1 Batterymarch Park
Quincy, MA 02169-7471

CSA International
8501 East Pleasant Valley Road
Cleveland, OH 44131-5575

Raccordement électrique

Pour installer le four à micro-ondes correctement, il faut établir le type de raccords électriques que l'on utilisera et suivre les instructions indiquées ici.

- Le four à micro-ondes doit être alimenté par une source d'électricité appropriée (caractéristiques de tension et fréquence spécifiées sur la plaque signalétique). La plaque signalétique se trouve sur le côté gauche de la porte du gril.



A. Plaque signalétique du numéro de modèle et de série

- Le four à micro-ondes est alimenté par une tension nominale de 240 V à 20 A, contient 4 conducteurs (L1, L2, N et terre) dans le câble flexible et doit être connecté à un circuit de 20 A d'intensité nominale maximale, protégé contre les surintensités sur les circuits L1 et L2.
- On recommande d'utiliser un fusible ou un disjoncteur temporisé.
- Le câble flexible du four à micro-ondes doit être connecté directement dans le boîtier de connexion.
- Ne pas couper le conduit. La longueur du conduit fourni est destinée à faciliter l'entretien/le dépannage éventuel du four.
- L'installateur doit fournir un connecteur de conduit (homologation UL ou CSA).
- Si le domicile possède un câblage en aluminium, suivre la procédure ci-dessous :
Connecter le câblage en aluminium en utilisant des capuchons ou des outils spécialement conçus et homologués UL pour raccorder le cuivre à l'aluminium.
Appliquer la procédure recommandée par le fabricant des connecteurs. Les raccordements aluminium/cuivre doivent satisfaire aux prescriptions des codes locaux et de l'industrie, et être conformes aux pratiques de câblage reconnues.

Pour les critères d'alimentation électrique, se reporter au tableau suivant.

Tension	Four à micro-ondes avec convection
120/240 V CA	19,9 A/3 400 W
120/208 V CA	19,9 A/3 400 W

INSTRUCTIONS D'INSTALLATION

Préparation du four à micro-ondes encastré

1. Repérer le câblage existant pour éviter de le percer ou de l'endommager lors de l'installation.

⚠ AVERTISSEMENT

Risque du poids excessif

Utiliser deux ou plus de personnes pour déplacer et installer le four à micro-ondes.

Le non-respect de cette instruction peut causer une blessure au dos ou d'autre blessure.

2. Pour éviter d'endommager le plancher, placer le four à micro-ondes sur une feuille de carton avant l'installation. Pour soulever l'appareil, ne pas prendre prise sur la poignée ou sur une autre partie de l'avant du châssis.
3. Retirer les matériaux d'emballage et les rubans adhésifs du four à micro-ondes.
4. Retirer et conserver à part les grilles et autres articles se trouvant à l'intérieur du four à micro-ondes.
5. Enlever le matériel à l'intérieur du sachet de documentation.
6. Approcher le four à micro-ondes et la feuille de carton de l'emplacement final du four à micro-ondes.

Raccordement électrique

⚠ AVERTISSEMENT



Risque de choc électrique

Déconnecter la source de courant électrique avant d'entreprendre le travail.

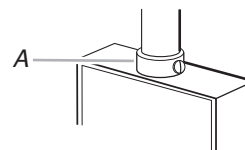
Utiliser du fil en cuivre de calibre 12.

Relier le four à la terre.

Le non-respect de ces instructions peut causer un décès, un incendie ou un choc électrique.

Le câblage de ce four à micro-ondes comporte un conducteur d'alimentation électrique neutre (blanc) et un conducteur de liaison à la terre jaune-vert connecté à la caisse.

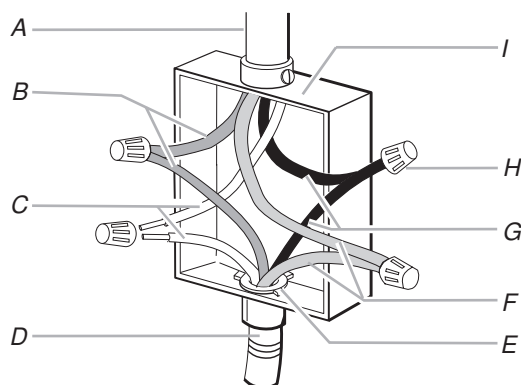
1. Déconnecter la source de courant électrique.
2. Placer le conduit de câble flexible depuis le four à micro-ondes jusqu'à l'espace d'installation dans l'armoire.
3. Le cas échéant, enlever le couvercle du boîtier de connexion.
4. Installer un connecteur de conduit (homologation UL ou CSA) sur le boîtier de connexion.



A. Connecteur de conduit (homologation UL ou CSA)

5. Acheminer le conduit de câble flexible depuis le four à micro-ondes jusqu'au boîtier de connexion – utiliser un connecteur de conduit (homologation UL ou CSA).
6. Serrer les vis sur le connecteur de conduit.
7. Terminer le raccordement électrique.

Câble à 3 conducteurs avec liaison à la terre à partir de l'alimentation électrique du domicile jusqu'au câble à 4 conducteurs du four à micro-ondes



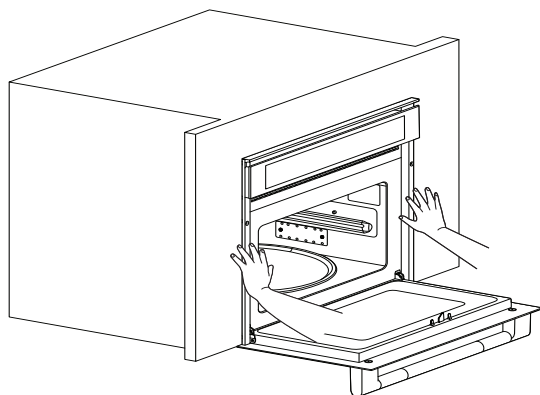
- | | |
|---|---|
| A. Câble depuis l'alimentation électrique du domicile | E. Connecteur de conduit (homologation UL ou CSA) |
| B. Conducteur jaune-vert | F. Conducteurs rouges |
| C. Conducteurs blancs | G. Conducteurs noirs |
| D. Câble à 4 conducteurs depuis le four à micro-ondes | H. Capuchon de connexion (homologation UL) |
| | I. Boîtier de connexion |

1. Connecter ensemble les 2 connecteurs noirs (G) avec un capuchon de connexion (homologation UL).
2. Connecter ensemble les 2 conducteurs blancs (C) avec un capuchon de connexion (homologation UL).
3. Connecter ensemble les 2 connecteurs rouges (F) avec un capuchon de connexion (homologation UL).
4. Connecter ensemble les 2 conducteurs jaune-vert (B) avec un capuchon de connexion (homologation UL).
5. Installer le couvercle du boîtier de connexion.

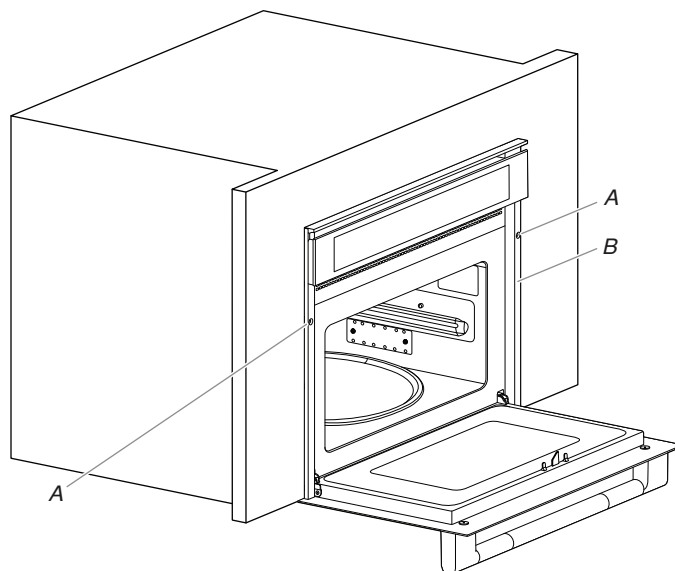
Installation du four à micro-ondes

1. À l'aide d'au moins 2 personnes, soulever le four à micro-ondes et l'introduire partiellement dans l'ouverture d'encastrement de l'armoire. Si l'on a installé une trousse d'entretoise, soulever le four à micro-ondes et le placer par-dessus celle-ci puis placer le four à micro-ondes entre les languettes de guidage.
2. Pousser contre le châssis avant du four à micro-ondes pour introduire le four dans l'armoire. Enfoncer complètement le four à micro-ondes dans l'armoire et le centrer dans la cavité de l'armoire.

REMARQUE : Ouvrir la porte du four à micro-ondes et pousser sur la zone du joint du châssis avant du four à micro-ondes lorsqu'on pousse le four à micro-ondes dans l'armoire. Ne pas pousser contre les bords externes.



3. Fixer solidement le four à micro-ondes à l'armoire à l'aide des deux vis à tête plate de 3/4 po (1,9 cm) fournies. Insérer les vis à travers les trous des glissières de montage. Ne pas serrer excessivement les vis.



- A. Vis à tête plate
B. Glissière de montage

4. Réinstaller la grille de convection, le plateau rotatif et l'axe de support.
5. Rétablir l'alimentation électrique.
6. Le tableau d'alimentation s'allume brièvement et l'horloge devrait apparaître sur l'affichage.
7. Si le tableau d'alimentation ne s'allume pas, consulter la section "Assistance ou service" du Guide d'utilisation et d'entretien ou contacter le marchand qui vous a vendu le four à micro-ondes.

Terminer l'installation

1. Vérifier que toutes les pièces sont maintenant installées. S'il reste une pièce, passer en revue les différentes étapes pour découvrir laquelle aurait été oubliée.
2. Vérifier la présence de tous les outils.
3. Mettre aux rebuts ou recycler tous les matériaux d'emballage.
4. Pour l'utilisation et le nettoyage du four, lire le Guide d'utilisation et d'entretien.

Pour obtenir de l'assistance ou une visite de service :

Consulter la section "Assistance ou service" du Guide d'utilisation et d'entretien ou contacter le marchand chez qui le four à micro-ondes encastré a été acheté.

REMARQUES

