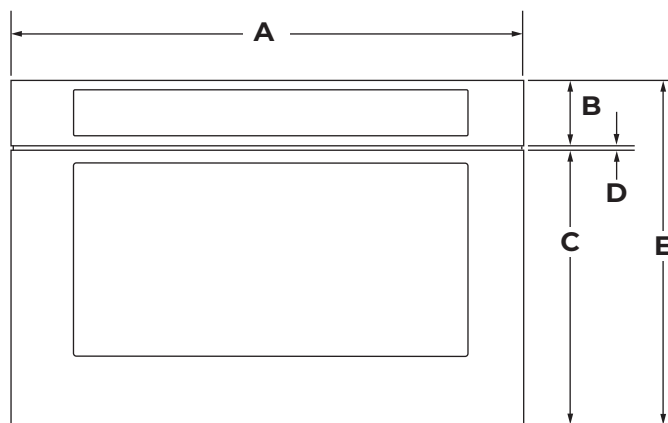


# JENNAIR® DIMENSIONS

## MICROWAVE DRAWERS

### PRODUCT

|  | <b>24" STAINLESS STEEL</b><br>JMDFS24GS | <b>24" NOIR™</b><br>JMDFS24HM | <b>30" RISE™</b><br>JMDFS30HL | <b>30" NOIR™</b><br>JMDFS30HM |
|--|---|-------------------------------|-------------------------------|-------------------------------|
| <b>Overall Width (A)</b>                 | 23-7/8" (60.6 cm)                       | 23-7/8" (60.6 cm)             | 29-15/16" (76 cm)             | 29-15/16" (76 cm)             |
| <b>Control Panel Height (B)</b>          | 3" (7.6 cm)                             | 3" (7.6 cm)                   | 3" (7.6 cm)                   | 3" (7.6 cm)                   |
| <b>Drawer Height (C)</b>                 | 12-3/4" (32.4 cm)                       | 12-11/16" (32.3 cm)           | 12-3/4" (32.4 cm)             | 12-11/16" (32.3 cm)           |
| <b>Control Panel to Drawer Space (D)</b> | 1/4" (0.6 cm)                           | 1/4" (0.6 cm)                 | 1/4" (0.6 cm)                 | 1/4" (0.6 cm)                 |
| <b>Overall Height (E)</b>                | 16" (40.6 cm)                           | 16" (40.6 cm)                 | 16" (40.6 cm)                 | 16" (40.6 cm)                 |



**FRONT VIEW**



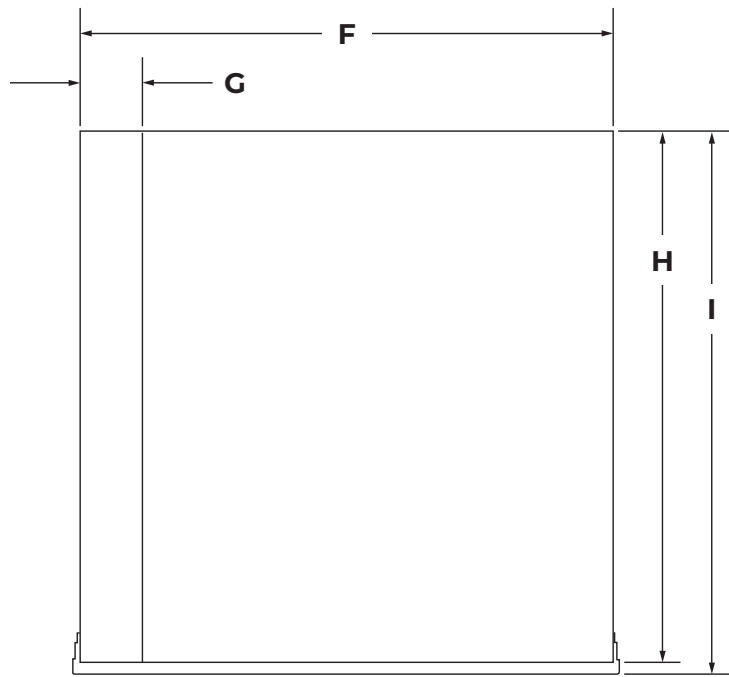
**IMPORTANT:** Dimensional specifications are provided for planning purposes only. Do not make any cutouts based on this information. Refer to the Installation Guide before selecting cabinetry, verifying electrical/gas connections, making cutouts or beginning installation. All JennAir® appliances are appropriately UL, CUL or CSA approved.

# JENNAIR® DIMENSIONS

## MICROWAVE DRAWERS

PRODUCT

|                                  | <b>24" STAINLESS STEEL</b><br>JMDFS24GS | <b>24" NOIR™</b><br>JMDFS24HM | <b>30" RISE™</b><br>JMDFS30HL | <b>30" NOIR™</b><br>JMDFS30HM |
|----------------------------------|---|-------------------------------|-------------------------------|-------------------------------|
| <b>Recessed Width (F)</b>        | 21-5/8" (54.9 cm)                       | 21-5/8" (54.9 cm)             | 21-5/8" (54.9 cm)             | 21-5/8" (54.9 cm)             |
| <b>Conduit Channel Width (G)</b> | 4-11/16" (11.9 cm)                      | 4-11/16" (11.9 cm)            | 4-11/16" (11.9 cm)            | 4-11/16" (11.9 cm)            |
| <b>Depth without Drawer (H)</b>  | 21-7/8" (55.6 cm)                       | 21-7/8" (55.6 cm)             | 21-7/8" (55.6 cm)             | 21-7/8" (55.6 cm)             |
| <b>Depth with Drawer (I)</b>     | 23-1/2" (59.7 cm)                       | 23-11/16" (60.1 cm)           | 23-9/16" (58.9 cm)            | 23-11/16" (60.1 cm)           |



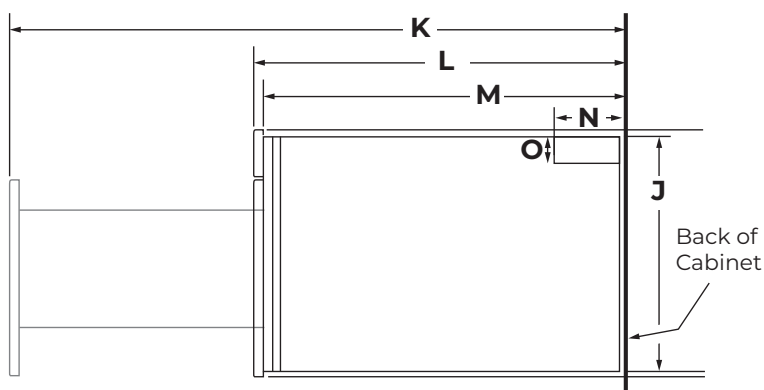
TOP VIEW

# JENNAIR® DIMENSIONS

## MICROWAVE DRAWERS

### PRODUCT

|  | <b>24" STAINLESS STEEL</b><br>JMDFS24GS | <b>24" NOIR™</b><br>JMDFS24HM | <b>30" RISE™</b><br>JMDFS30HL | <b>30" NOIR™</b><br>JMDFS30HM |
|--|---|-------------------------------|-------------------------------|-------------------------------|
| <b>Recessed Height (J)</b>                                 | 14-5/8" (37.1 cm)                       | 14-5/8" (37.1 cm)             | 14-5/8" (37.1 cm)             | 14-5/8" (37.1 cm)             |
| <b>Drawer Open Depth (K)<br/>(Flush Receptacle)</b>        | 38-5/16" (97.3 cm)                      | 38-1/2" (97.8 cm)             | 38-3/8" (97.4 cm)             | 38-1/2" (97.8 cm)             |
| <b>Drawer Open Depth (K)<br/>(Non-flush Receptacle)</b>    | 42-13/16" (108.7 cm)                    | 43" (109.2 cm)                | 42-13/16" (108.8 cm)          | 43" (109.2 cm)                |
| <b>Depth with Drawer (L)<br/>(Flush Receptacle)</b>        | 23-5/16" (59.2 cm)                      | 23-1/2" (59.7 cm)             | 23-3/8" (59.3 cm)             | 23-1/2" (59.7 cm)             |
| <b>Depth with Drawer (L)<br/>(Non-flush Receptacle)</b>    | 27-13/16" (70.6 cm)                     | 28" (71.1 cm)                 | 27-13/16" (70.7 cm)           | 28" (71.1 cm)                 |
| <b>Depth without Drawer<br/>(M) (Flush Receptacle)</b>     | 21-7/8" (55.6 cm)                       | 21-7/8" (55.6 cm)             | 21-7/8" (55.6 cm)             | 21-7/8" (55.6 cm)             |
| <b>Depth without Drawer (M)<br/>(Non-flush Receptacle)</b> | 26-3/8" (67 cm)                         | 26-3/8" (67 cm)               | 26-3/8" (67 cm)               | 26-3/8" (67 cm)               |
| <b>Conduit Channel<br/>Length (N)</b>                      | 4" (10.2 cm)                            | 4" (10.2 cm)                  | 4" (10.2 cm)                  | 4" (10.2 cm)                  |
| <b>Conduit Channel<br/>Height (O)</b>                      | 1-3/4" (4.4 cm)                         | 1-3/4" (4.4 cm)               | 1-3/4" (4.4 cm)               | 1-3/4" (4.4 cm)               |



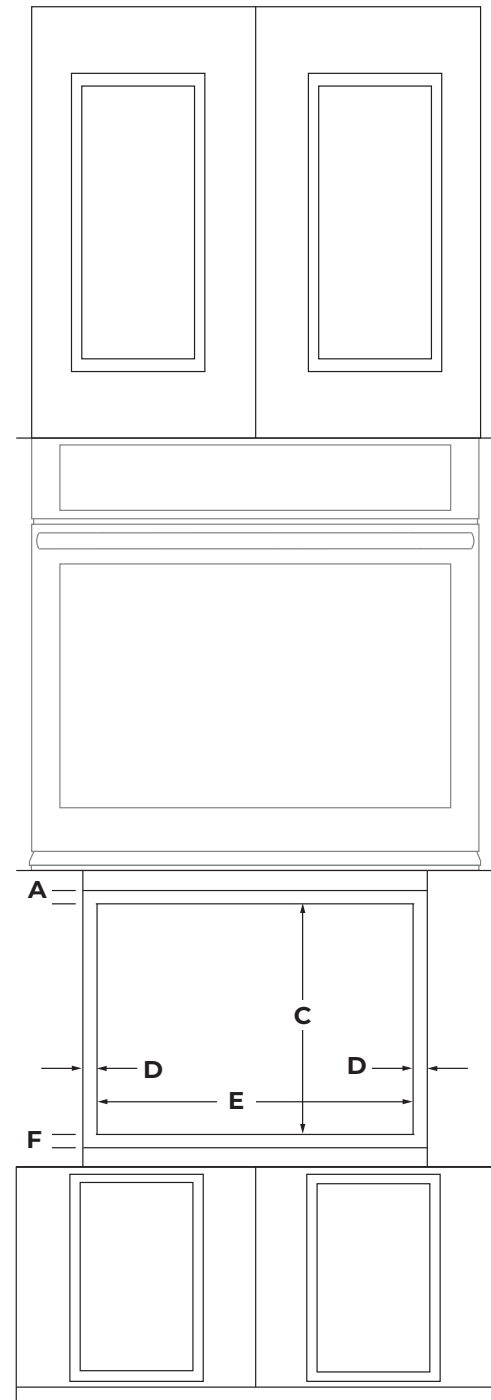
**SIDE VIEW**

# JENNAIR® DIMENSIONS

## MICROWAVE DRAWERS

### STANDARD OPENING AND CLEARANCE

|  | <b>24" STAINLESS STEEL</b><br>JMDFS24GS | <b>24" NOIR™</b><br>JMDFS24HM |
|--|---|-------------------------------|
| <b>Top Overlap Allowance (A)</b>                   | 9/16" (1.4 cm)                          | 9/16" (1.4 cm)                |
| <b>Cutout Top to Oven or Countertop Bottom (B)</b> | 2" (5.1 cm) min.                        | 2" (5.1 cm) min.              |
| <b>Cutout Height (C)</b>                           | 15-9/16" (39.5 cm)                      | 15-9/16" (39.5 cm)            |
| <b>Side Overlap Allowance (D)</b>                  | 7/8" (2.2 cm)                           | 7/8" (2.2 cm)                 |
| <b>Cutout Width (E)</b>                            | 22-1/8" (56.2 cm)                       | 22-1/8" (56.2 cm)             |
| <b>Bottom Overlap Allowance (F)</b>                | 3/4" (1.9 cm)                           | 3/4" (1.9 cm)                 |
| <b>Cabinet Bottom to Cabinet Door Top (G)</b>      | 2" (5.1 cm) min.                        | 2" (5.1 cm) min.              |



FRONT VIEW

### LOCATION REQUIREMENTS CHECKLIST

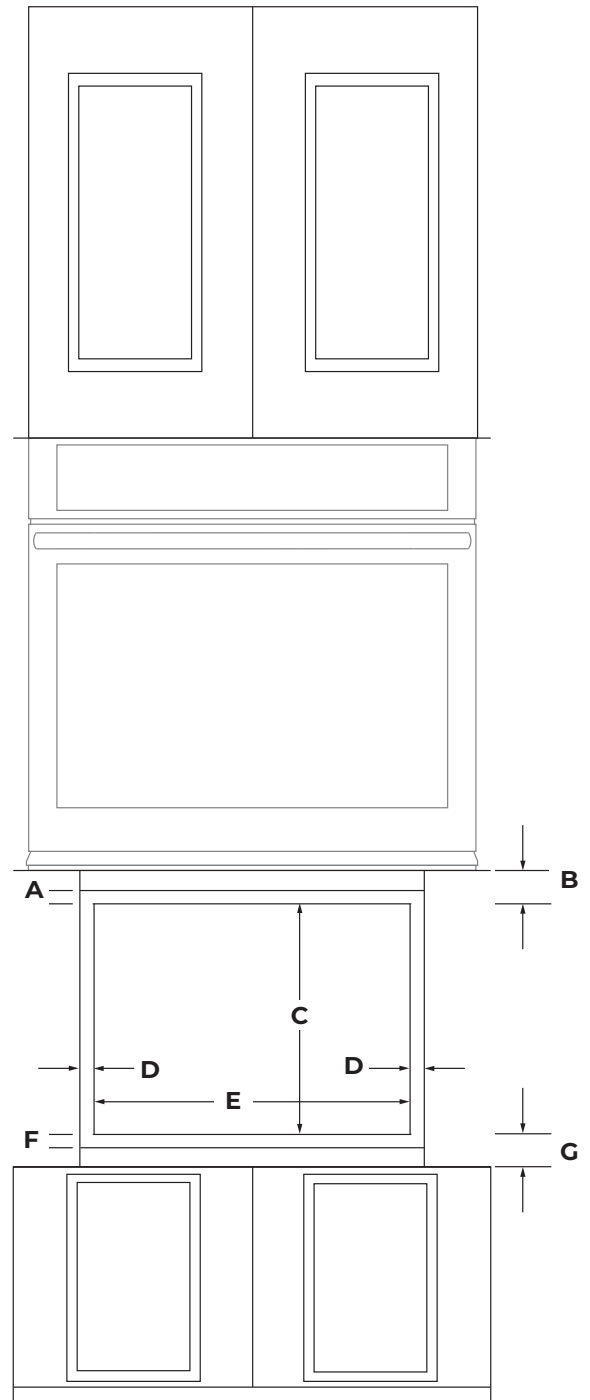
- Support structure must be able to support 100 lb. (45.4 kg), including microwave oven and contents.

# JENNAIR® DIMENSIONS

## MICROWAVE DRAWERS

### STANDARD OPENING AND CLEARANCE

|  | <b>30" RISE™</b><br>JMDFS30HL   | <b>30" NOIR™</b><br>JMDFS30HM   |
|--|---------------------------------|---------------------------------|
| <b>Top Overlap Allowance (A)</b>                   | 9/16" (1.4 cm)                  | 9/16" (1.4 cm)                  |
| <b>Cutout Top to Oven or Countertop Bottom (B)</b> | 2" (5.1 cm) min.                | 2" (5.1 cm) min.                |
| <b>Cutout Height (C)</b>                           | 15-9/16"<br>(39.5 cm)           | 15-9/16"<br>(39.5 cm)           |
| <b>Side Overlap Allowance (D)</b>                  | 11/16" (1.8 cm)                 | 11/16" (1.8 cm)                 |
| <b>Cutout Width (E)</b>                            | 22-1/8"-28-3/8"<br>(56.2-72 cm) | 22-1/8"-28-3/8"<br>(56.2-72 cm) |
| <b>Bottom Overlap Allowance (F)</b>                | 3/4" (1.9 cm)<br>min.           | 3/4" (1.9 cm)<br>min.           |
| <b>Cabinet Bottom to Cabinet Door Top (G)</b>      | 2" (5.1 cm) min.                | 2" (5.1 cm) min.                |



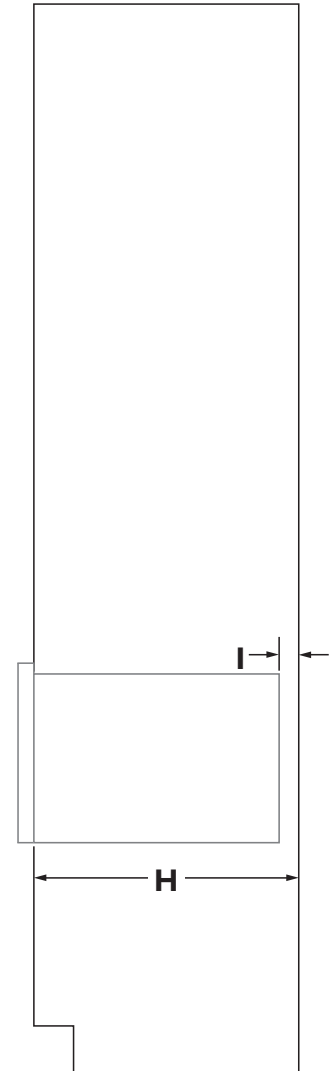
FRONT VIEW

# JENNAIR® DIMENSIONS

## MICROWAVE DRAWERS

### STANDARD OPENING AND CLEARANCE

|   | <b>24" STAINLESS STEEL</b><br>JMDFS24GS | <b>24" NOIR™</b><br>JMDFS24HM | <b>30" RISE™</b><br>JMDFS30HL | <b>30" NOIR™</b><br>JMDFS30HM |
|---|---|-------------------------------|-------------------------------|-------------------------------|
| <b>Cutout Depth (H)</b><br>(Flush Receptacle)     | 23-1/2"<br>(59.7 cm) min.               | 23-11/16"<br>(60.2 cm) min.   | 23-9/16"<br>(59.8 cm) min.    | 23-11/16"<br>(60.2 cm) min.   |
| <b>Cutout Depth (H)</b><br>(Non-flush Receptacle) | 28"<br>(71.1 cm) min.                   | 28-3/16"<br>(71.6 cm) min.    | 28-1/16"<br>(71.2 cm) min.    | 28-3/16"<br>(71.6 cm) min.    |
| <b>Microwave Back to Cabinet Back Depth (I)</b>   | 3-1/2" (8.9 cm)                         | 3-1/2" (8.9 cm)               | 3-1/2" (8.9 cm)               | 3-1/2" (8.9 cm)               |



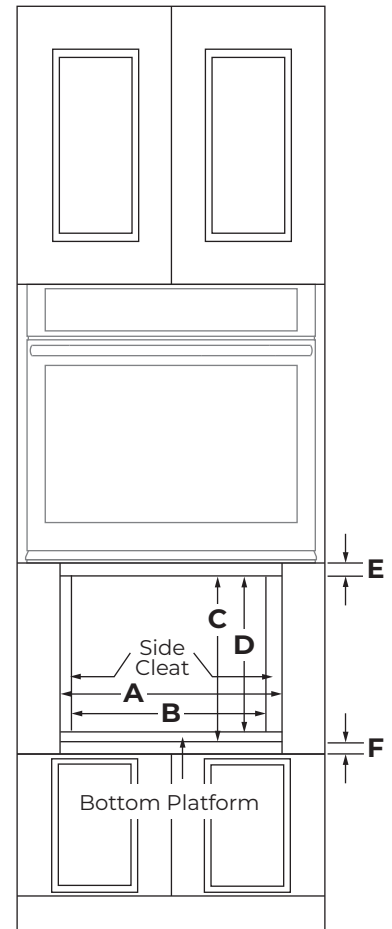
**SIDE VIEW**

# JENNAIR® DIMENSIONS

## MICROWAVE DRAWERS

### FLUSH OPENING AND CLEARANCE

|  | <b>24" STAINLESS STEEL</b><br>JMDFS24GS | <b>24" NOIR™</b><br>JMDFS24HM           |
|--|---|---|
| <b>Cutout Width (A)</b>                            | 24-3/16"-24-1/2"<br>(61.4-62.2 cm) min. | 24-3/16"-24-1/2"<br>(61.4-62.2 cm) min. |
| <b>Width Between Side Cleats (B)</b>               | 22-1/8" (56.2 cm)                       | 22-1/8" (56.2 cm)                       |
| <b>Cutout Height (C)</b>                           | 17" (43.2 cm)                           | 17" (43.2 cm)                           |
| <b>Platform to Top of Cutout Height (D)</b>        | 16-1/8" (41 cm) min.                    | 16-1/8" (41 cm) min.                    |
| <b>Cutout Top to Oven or Countertop Bottom (E)</b> | 2" (5.1 cm)                             | 2" (5.1 cm)                             |
| <b>Cabinet Bottom to Cabinet Door Top (F)</b>      | 2" (5.1 cm)                             | 2" (5.1 cm)                             |



**FRONT VIEW**

### LOCATION REQUIREMENTS CHECKLIST

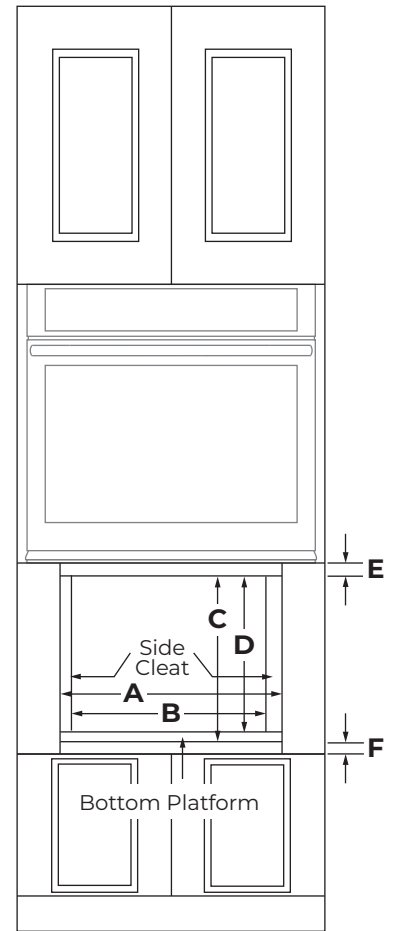
- Support structure must be able to support 100 lb. (45.4 kg), including microwave oven and contents.

# JENNAIR® DIMENSIONS

## MICROWAVE DRAWERS

### FLUSH OPENING AND CLEARANCE

|  | <b>30" RISE™</b><br>JMDFS30HL           | <b>30" NOIR™</b><br>JMDFS30HM           |
|--|---|---|
| <b>Cutout Width (A)</b>                            | 30-1/4"-30-9/16"<br>(76.8-77.6 cm) min. | 30-1/4"-30-9/16"<br>(76.8-77.6 cm) min. |
| <b>Width Between Side Cleats (B)</b>               | 28-7/16" (72.2 cm)                      | 28-7/16" (72.2 cm)                      |
| <b>Cutout Height (C)</b>                           | 17" (43.2 cm)                           | 17" (43.2 cm)                           |
| <b>Platform to Top of Cutout Height (D)</b>        | 16-1/8" (41 cm) min.                    | 16-1/8" (41 cm) min.                    |
| <b>Cutout Top to Oven or Countertop Bottom (E)</b> | 2" (5.1 cm)                             | 2" (5.1 cm)                             |
| <b>Cabinet Bottom to Cabinet Door Top (F)</b>      | 2" (5.1 cm)                             | 2" (5.1 cm)                             |



**FRONT VIEW**

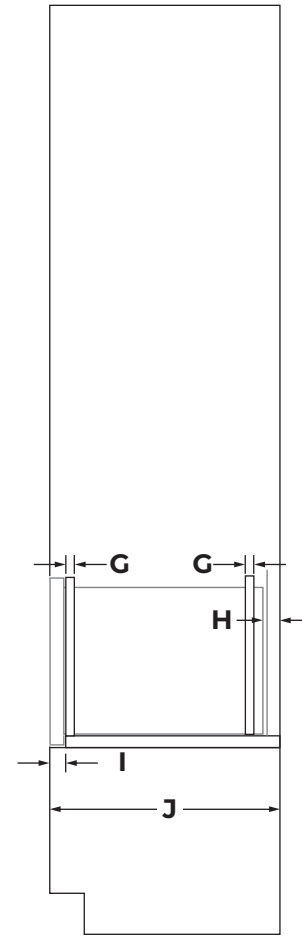


# JENNAIR® DIMENSIONS

## MICROWAVE DRAWERS

### FLUSH OPENING AND CLEARANCE

|  | <b>24" STAINLESS STEEL</b><br>JMDFS24GS | <b>24" NOIR™</b><br>JMDFS24HM |
|--|---|-------------------------------|
| <b>Side Cleat Depth (G)</b>                        | 1-9/16" (3.9cm)                         | 1-9/16" (3.9cm)               |
| <b>Microwave Back to Cabinet Back Depth (H)</b>    | 3-1/2"<br>(8.9 cm)                      | 3-1/2"<br>(8.9 cm)            |
| <b>Cabinet Face to Front of Platform Depth (I)</b> | 1-7/8" (4.8 cm)                         | 2-1/16" (5.3 cm)              |
| <b>Cutout Depth (J)<br/>(Flush Receptacle)</b>     | 23-1/2"<br>(59.7 cm) min.               | 23-11/16"<br>(60.2 cm) min.   |
| <b>Cutout Depth (J)<br/>(Non-flush Receptacle)</b> | 28"<br>(71.1 cm)                        | 28-3/16"<br>(71.6 cm)         |



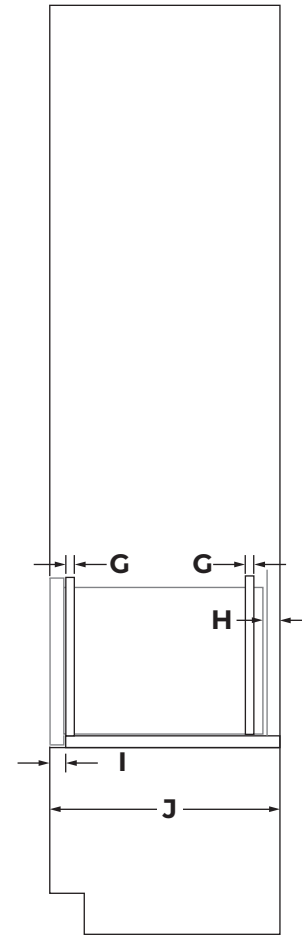
**SIDE VIEW**

# JENNAIR® DIMENSIONS

## MICROWAVE DRAWERS

### FLUSH OPENING AND CLEARANCE

|  | <b>30" RISE™</b><br>JMDFS30HL | <b>30" NOIR™</b><br>JMDFS30HM |
|--|-------------------------------|-------------------------------|
| <b>Side Cleat Depth (G)</b>                        | 1/8" (0.39 cm)                | 1/8" (0.39 cm)                |
| <b>Microwave Back to Cabinet Back Depth (H)</b>    | 3-1/2"<br>(8.9 cm)            | 3-1/2"<br>(8.9 cm)            |
| <b>Cabinet Face to Front of Platform Depth (I)</b> | 1-15/16" (4.9 cm)             | 2-1/16" (5.3 cm)              |
| <b>Cutout Depth (J)<br/>(Flush Receptacle)</b>     | 23-9/16"<br>(59.8 cm) min.    | 23-11/16"<br>(60.2 cm) min.   |
| <b>Cutout Depth (J)<br/>(Non-flush Receptacle)</b> | 28-1/16"<br>(71.2 cm)         | 28-3/16"<br>(71.6 cm)         |



**SIDE VIEW**

# JENNAIR® DIMENSIONS

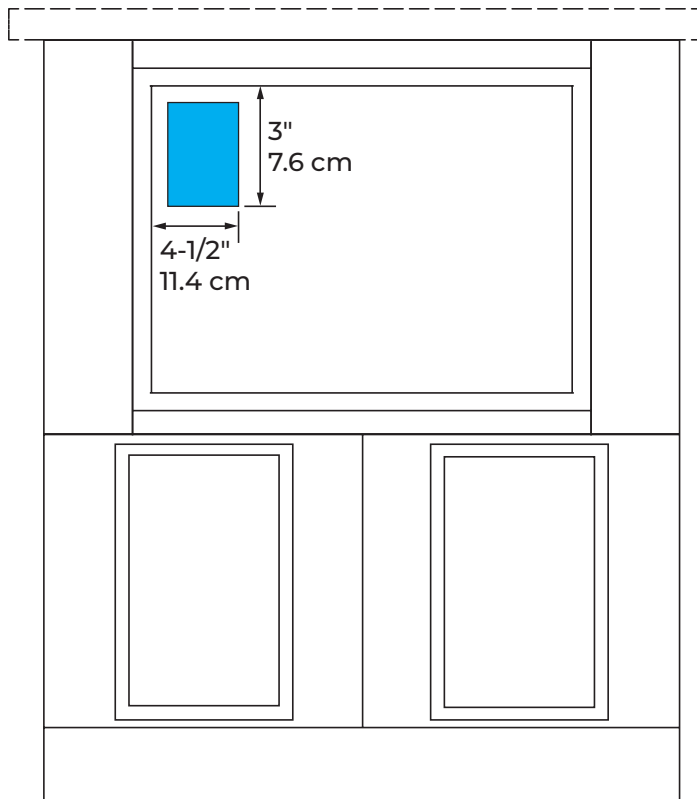
## MICROWAVE DRAWERS

### ELECTRICAL REQUIREMENTS

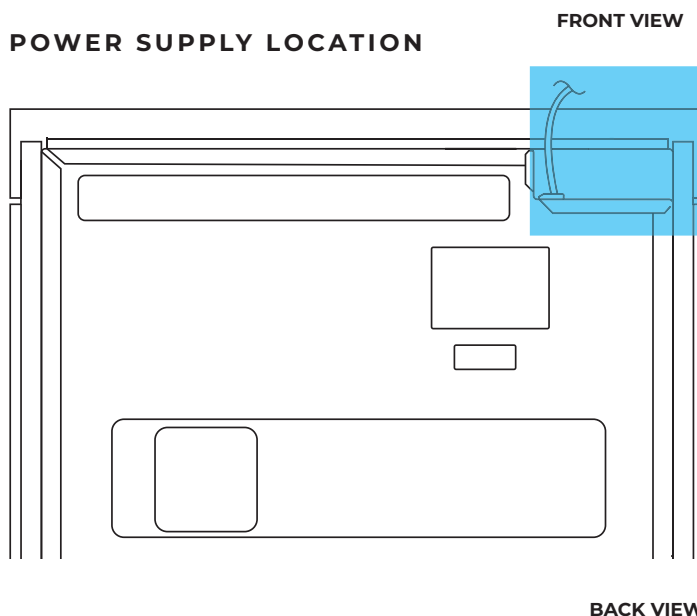
#### ELECTRIC REQUIREMENTS CHECKLIST

- 120 volt, 60 Hz, AC only, 15- or 20-amp fused, grounded circuit is required.
- A time-delay fuse or dedicated circuit is recommended.
- Do not use an extension cord.

#### RECOMMENDED ELECTRICAL ZONE



#### POWER SUPPLY LOCATION



IF YOU HAVE QUESTIONS ABOUT YOUR ELECTRICAL SUPPLY, CALL A LICENSED, QUALIFIED ELECTRICIAN.