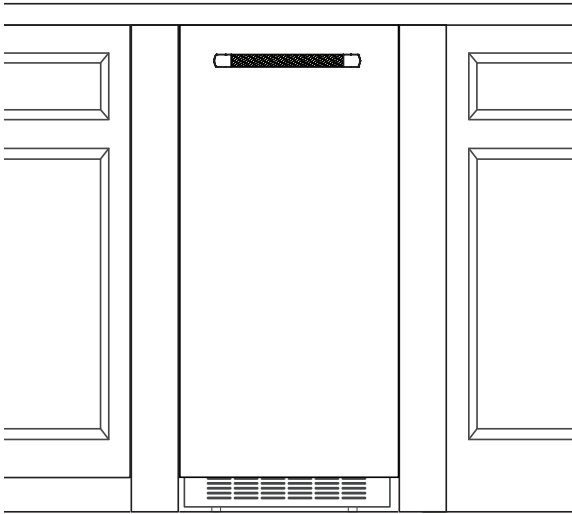


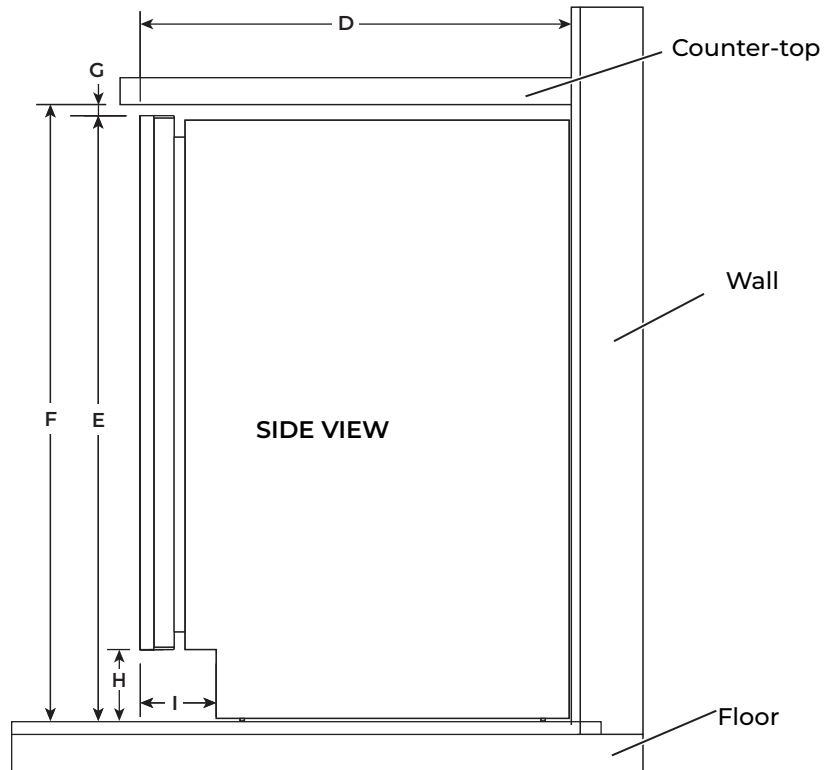
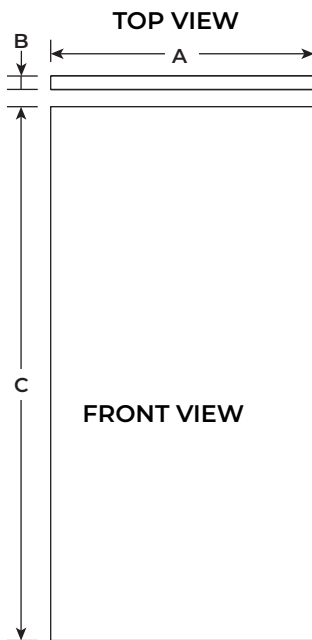
15" UNDER COUNTER ICE MAKER CUSTOM WOOD PANEL DIMENSIONS GUIDE

JUIFX15HX, JUIFN15HX – 14³/₄" (W) x 33⁷/₈" (H) x 24" (depth without handle)

INSTALLED FRONT VIEW



Panel width (A)	14 ³ / ₄ " (37.47 cm)
Panel thickness (B)	3/4" (1.90 cm)
Panel height (C)	29 ⁷ / ₈ " (75.88 cm)
Depth with panel (D)	24" (60.96 cm)
Height of panel from floor (E)	33 ⁷ / ₈ " (86.04 cm)
Total height - Distance between counter-top and floor (F)	34" (86.36 cm)
Distance between counter-top and top of the panel (G)	1/8" (3.17 mm)
Height to top of toe kick (min.) (H)	4" (10.16 cm)
Depth of toe kick (I)	4 ¹ / ₄ " (10.79 cm)



INSTALLATION NOTES

- Overlay panel thickness is 3/4" (1.90 cm).
- Panel dimensions shown are the minimum size to cover the appliance door. Panels can be made taller/wider to match surrounding cabinetry.
- Maximum door swing with factory installed hinge stop is 90 degrees.
- Leveler legs provide a maximum 1" (2.54 cm) of lift.
- Minimum opening height: 34" (86.36 cm). This produces a 1/8" (3.17 mm) reveal above the panel.
- Countersink all the handle mounting hardware.

Because Whirlpool Corporation policy includes a continuous commitment to improve our products, we reserve the right to change materials and specifications without notice. Specifications subject to change without notice.