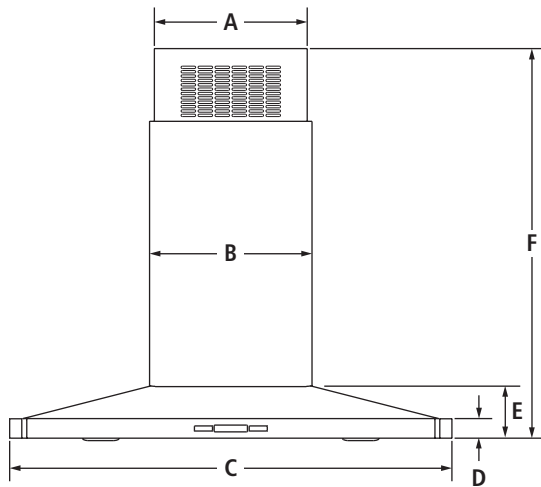


42"/36" EURO-STYLE ISLAND-MOUNT CANOPY HOODS

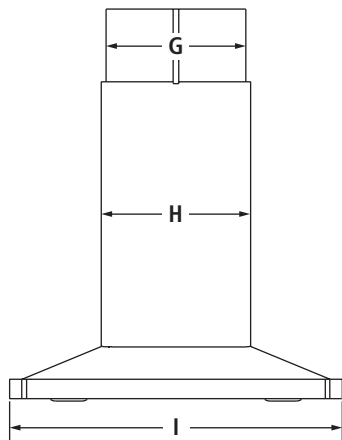
JXI8042WS – 42" x 37¹/₂-57⁵/₈" x 27"

JXI8036WS – 36" x 37¹/₂-57⁵/₈" x 27"

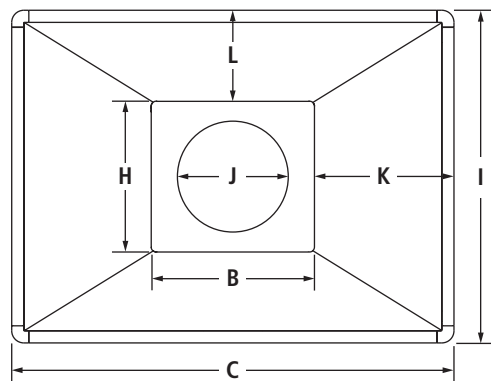
PRODUCT DIMENSIONS



FRONT VIEW



SIDE VIEW



TOP VIEW

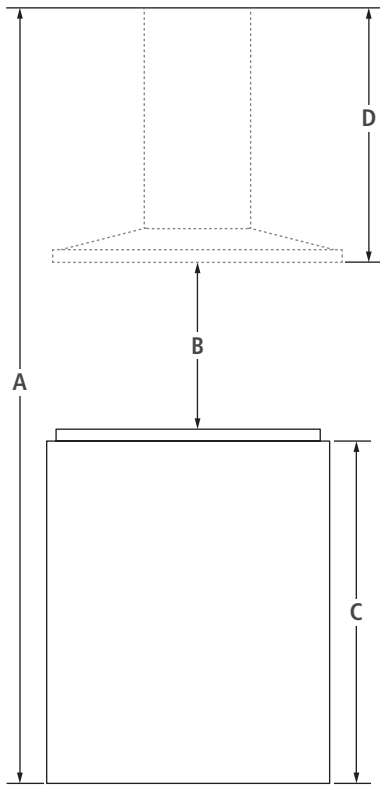
MODEL #		JXI8042WS		JXI8036WS	
		in	cm	in	cm
A	Width of chimney extension	13 ¹ / ₈	33.3	13 ¹ / ₈	33.3
B	Width of chimney	13 ¹ / ₄	33.5	13 ¹ / ₄	33.5
C	Width of canopy	42	106.7	36	91.4
D	Height of trim	1 ¹ / ₂	3.7	1 ¹ / ₂	3.7
E	Height of canopy	5	12.7	5	12.7
F	Overall height with vented installation (min.-max.)	37 ¹ / ₂ -51 ¹ / ₂	95.3-130.7	37 ¹ / ₂ -51 ¹ / ₂	95.3-130.7
	Overall height with non-vented (recirculating) installation (min.-max.)	37 ¹ / ₂ -57 ⁵ / ₈	95.3-146.2	37 ¹ / ₂ -57 ⁵ / ₈	95.3-146.2
G	Depth of chimney extension	12 ¹ / ₈	30.8	12 ¹ / ₈	30.8
H	Depth of chimney	12 ¹ / ₄	31.0	12 ¹ / ₄	31.0
I	Depth of canopy	27	68.6	27	68.6
J	Vent collar diameter	7 ⁷ / ₈	20.0	7 ⁷ / ₈	20.0
K	Width from chimney to edge of canopy	11 ¹ / ₈	28.3	8 ¹ / ₈	20.6
L	Depth from chimney to back edge of canopy	7 ³ / ₈	18.7	7 ³ / ₈	18.7

42"/36" EURO-STYLE ISLAND-MOUNT CANOPY HOODS

JXI8042WS – 42" x 37¹/₂-57⁵/₈" x 27"

JXI8036WS – 36" x 37¹/₂-57⁵/₈" x 27"

OPENING/CLEARANCE DIMENSIONS



FRONT VIEW

ELECTRICAL REQUIREMENTS

120 volt, 60 Hz, AC only, 15-amp fused, electrical circuit is required.

VENTING REQUIREMENTS

The hood is factory set for venting through the roof. For non-vented (recirculating) installation, refer to recirculation kit instructions for further information.

LOCATION REQUIREMENTS

Ceiling structure must be able to support 80 lb (36.6 kg).

For vented installation, the chimney can be adjusted for ceilings between 7' 11" (2.4 m) and 9' 11" (3.0 m).

For non-vented (recirculating) installation, the chimney can be adjusted for ceilings between 7' 11" (2.4 m) and 10' 3" (3.1 m).

MODEL #		JXI8042WS		JXI8036WS	
		in	cm	in	cm
A	Ceiling height	—	—	—	—
B	Suggested distance from hood to electric cooking surface (min.-max.)	24-36	61.0-91.4	24-36	61.0-91.4
	Suggested distance from hood to gas cooking surface (min.-max.)	27-36	68.6-91.4	27-36	68.6-91.4
C	Countertop height	—	—	—	—
D	Height from bottom of hood to ceiling (A – B – C = D)	—	—	—	—

JENN-AIR® DETAILED PLANNING DIMENSIONS

VENTILATION SELECTION CHART – COOKTOPS

MODEL #	PRO-STYLE™ HOODS			EURO-STYLE ISLAND-MOUNT HOODS		EURO-STYLE WALL-MOUNT HOODS		GLASS COLLECTION ISLAND-MOUNT HOOD	GLASS COLLECTION WALL-MOUNT HOODS		PERIMETRIC HOOD	OILED BRONZE WALL-MOUNT HOODS		EURO-STYLE TELESCOPING DOWNDRAFT SYSTEMS		CUSTOM HOOD LINERS	OVER-THE-RANGE MICROWAVE OVENS
	JXW9048WP	JXW9036WP JXU9136WP	JXW9030WP JXU9130WP	JXI8042WS	JXI8036WS	JXW8036WS JXW8836WS	JXW8030WS	JXI5036WS	JXW5036WS	JXW5030WS	JXP5032WS	JXW6036WR	JXW6030WR	JXD7036YS	JXD7030YS	UXL6048YSSA UXL6036YSSA	JMV9186W JMV8208W
INDUCTION COOKTOPS																	
36-INCH																	
JIC4536X – 5 Elements	■	■	—	★	★	★	—	★	★	—	★	■	—	★	—	★	■
30-INCH																	
JIC4430X – 4 Elements	■	■	■	■	★	★	★	★	★	★	★	■	■	★	★	★	■
CONVENTIONAL GAS COOKTOPS																	
36-INCH (less than 60,000 BTU total)																	
JGC9536BD – 5 Burners	■	■	—	★	★	★	—	★	★	—	★	★	—	★	—	★	■
JGC1536AD – 5 Burners	■	■	—	★	★	★	—	★	★	—	★	■	—	★	—	★	■
JGC8536BD – 5 Burners	■	■	—	★	★	★	—	★	★	—	★	■	—	★	—	★	■
30-INCH (less than 60,000 BTU total)																	
JGC9430BD – 4 Burners	■	■	■	■	★	★	★	★	★	★	★	★	★	★	★	★	■
JGC1430AD – 4 Burners	■	■	■	■	★	★	★	★	★	★	★	■	■	★	★	★	■
JGC8430CD – 4 Burners	■	■	■	■	★	★	★	★	★	★	★	■	■	★	★	★	■
CONVENTIONAL ELECTRIC COOKTOPS																	
36-INCH																	
JEC4536Y – 5 Elements	■	■	—	★	★	★	—	★	★	—	★	■	—	★	—	★	■
JEC9536BD – 5 Elements	■	■	—	★	★	★	—	★	★	—	★	★	—	★	—	★	■
JEC8536BD – 5 Elements	■	■	—	★	★	★	—	★	★	—	★	■	—	★	—	★	■
30-INCH																	
JEC4530Y – 5 Elements	■	■	■	■	★	★	★	★	★	★	★	■	■	★	★	★	■
JEC9530BD – 5 Elements	■	■	■	■	★	★	★	★	★	★	★	★	★	★	★	★	■
JEC8430BD – 4 Elements	■	■	■	■	★	★	★	★	★	★	★	■	■	★	★	★	■

A. Custom hood liners can be used with any of the following blower motors: UXB1200DYS, UXB0600DYS, UXI1200DYS or UXI0600DYS.

KEY	
★	Style and Performance Pair
■	Performance Pair
—	Not Recommended

Product dimension, cutout and installation specifications are provided for planning purposes only. Before installing any product, be sure to verify cutout dimensions and electrical/gas connections as actual product dimensions may vary.



JENN-AIR® DETAILED PLANNING DIMENSIONS

VENTILATION SELECTION CHART – RANGETOPS AND RANGES

MODEL #	PRO-STYLE™ HOODS			EURO-STYLE ISLAND-MOUNT HOODS		EURO-STYLE WALL-MOUNT HOODS		GLASS COLLECTION ISLAND-MOUNT HOOD	GLASS COLLECTION WALL-MOUNT HOODS		PERIMETRIC HOOD	OILED BRONZE WALL-MOUNT HOODS		EURO-STYLE TELESCOPING DOWNDRAFT SYSTEMS	CUSTOM HOOD LINERS		OVER-THE-RANGE MICROWAVE OVENS	
	JXW9048WP	JXW9036WP JXU9136WP	JXW9030WP JXU9130WP	JXI8042WS	JXI8036WS	JXW8036WS JXW8836WS	JXW8030WS	JXI5036WS	JXW5036WS	JXW5030WS	JXP5032WS	JXW6036WR	JXW6030WR	JXD7036YS JXD7030YS	1200 or 600 CFMA	600 CFMB	JMV9186W JMV8208W	
PRO-STYLE® RANGETOPS																		
48-INCH (more than 60,000 BTU total)																		
JGCP548WP – 6 Burners & Griddle	★	—	—	—	—	—	—	—	—	—	—	—	—	—	★	—	—	
36-INCH (less than 60,000 BTU total)																		
JGCP536WP – 4 Burners & Griddle	★	★	—	■	■	■	—	■	■	—	■	■	—	—	★	★	—	
36-INCH (more than 60,000 BTU total)																		
JGCP436WP – 6 Burners	★	★	—	—	—	—	—	—	—	—	—	—	—	—	★	—	—	
30-INCH (less than 60,000 BTU total)																		
JGCP430WP – 4 Burners	■	★	★	■	■	■	■	■	■	■	■	■	■	—	★	★	—	
48-INCH (less than 60,000 BTU total)																		
JGD8348CDP – 4 Burners & Grill Assembly	—	—	—	—	—	—	—	—	—	—	—	—	—	—	★	—	—	
PRO-STYLE® DUAL-FUEL AND GAS RANGES																		
48-INCH (more than 60,000 BTU total)																		
JDRP548WP – 6 Burners & Griddle	★	—	—	—	—	—	—	—	—	—	—	—	—	—	★	—	—	
JGRP548WP – 6 Burners & Griddle	★	—	—	—	—	—	—	—	—	—	—	—	—	—	★	—	—	
36-INCH (less than 60,000 BTU total)																		
JDRP536WP – 4 Burners & Griddle	★	★	—	■	■	■	—	■	■	—	■	■	—	—	★	★	—	
JGRP536WP – 4 Burners & Griddle	★	★	—	■	■	■	—	■	■	—	■	■	—	—	★	★	—	
36-INCH (more than 60,000 BTU total)																		
JDRP436WP – 6 Burners	★	★	—	—	—	—	—	—	—	—	—	—	—	—	★	—	—	
JGRP436WP – 6 Burners	★	★	—	—	—	—	—	—	—	—	—	—	—	—	★	—	—	
30-INCH (less than 60,000 BTU total)																		
JDRP430WP – 4 Burners	—	★	★	—	■	■	■	■	■	■	■	■	■	—	★	★	—	
JGRP430WP – 4 Burners	—	★	★	—	■	■	■	■	■	■	■	■	■	—	★	★	—	
SLIDE-IN RANGES																		
Dual-Fuel and Gas Conventional (less than 60,000 BTU total)																		
JDS886BDP – 4 Burners	■	★	★	■	★	★	★	★	★	★	★	★	■	■	—	★	★	■
JDS8850CD – 4 Burners	■	■	■	■	★	★	★	★	★	★	★	★	■	■	—	★	★	■
JGS8860BDP – 4 Burners	■	★	★	■	★	★	★	★	★	★	★	★	■	■	—	★	★	■
JGS8850CD – 4 Burners	■	■	■	■	★	★	★	★	★	★	★	★	★	★	—	★	★	■
ELECTRIC CONVENTIONAL																		
JES8850CA – 5 Elements	■	■	■	■	★	★	★	★	★	★	★	★	■	■	—	★	★	■

A. Custom hood liners can be used with any of the following blower motors: UXB1200DYS, UXB0600DYS, UXI1200DYS or UXI0600DYS.
 B. Blower motor UXB0600DYS is rated for up to 65,000 BTUs and can be used with the rangetops and ranges indicated.

KEY	
★	Style and Performance Pair
■	Performance Pair
—	Not Recommended

