

# KitchenAid®

---

## BOTTOM-MOUNT BUILT-IN REFRIGERATOR

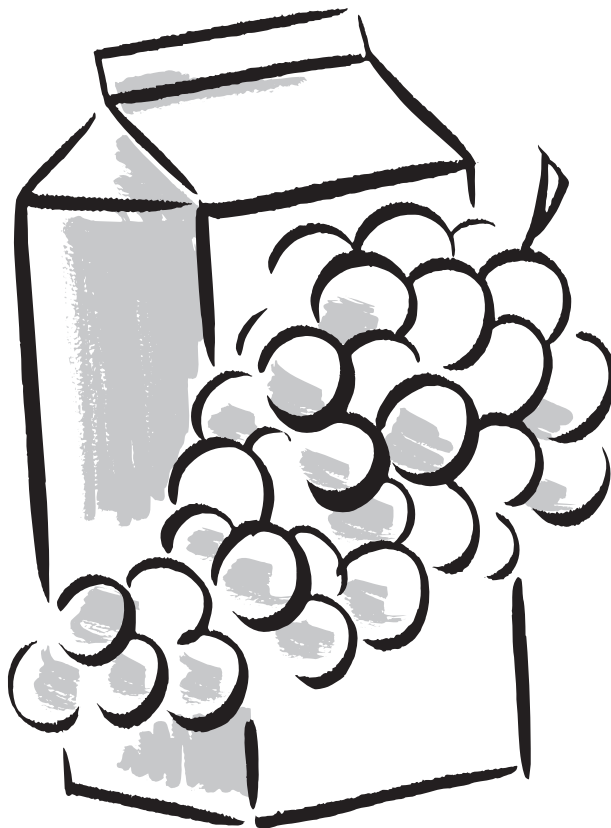
## RÉFRIGÉRATEUR ENCASTRÉ AVEC CONGÉLATEUR EN BAS

Installation Guide / Guide d'installation

**IMPORTANT:** READ AND SAVE THESE INSTRUCTIONS. INSTALLATION REQUIRES 2 OR MORE PEOPLE.

**IMPORTANT :** LIRE ET CONSERVER CES INSTRUCTIONS. L'INSTALLATION NÉCESSITE 2 PERSONNES OU PLUS.

Table of Contents/Table des matières.....2



---

# TABLE OF CONTENTS/TABLE DES MATIÈRES

<b>REFRIGERATOR SAFETY.....</b>	<b>3</b>	<b>SÉCURITÉ DU RÉFRIGÉRATEUR.....</b>	<b>27</b>
<b>MODELS.....</b>	<b>4</b>	<b>MODÈLES.....</b>	<b>28</b>
<b>INSTALLATION REQUIREMENTS.....</b>	<b>5</b>	<b>EXIGENCES D'INSTALLATION.....</b>	<b>29</b>
Tools and Parts.....	5	Outils et pièces.....	29
Location Requirements.....	6	Exigences d'emplacement.....	30
Electrical Requirements.....	7	Spécifications électriques.....	31
Water Supply Requirements.....	7	Spécifications de l'alimentation en eau.....	31
Tipping Radius.....	8	Rayon de basculement.....	32
Product Dimensions.....	8	Dimensions du produit.....	32
Door Swing Dimensions.....	10	Dimensions pour l'ouverture des portes.....	34
Overlay Series Door Panel and Cabinetry Clearance.....	11	Dégagement des panneaux de porte de série Overlay et des armoires.....	35
Custom Overlay Panel Dimensions.....	13	Panneaux personnalisés de série Overlay.....	37
Overlay Series Custom Panels.....	13	Dimensions des panneaux personnalisés.....	38
Stainless Steel and Overlay Series Both 36" and 42" models have the same cabinet side trim.....	16	Les modèles de série Overlay et en acier inoxydable de 36" et 42" sont dotés de la même garniture latérale de caisse.....	41
<b>INSTALLATION INSTRUCTIONS.....</b>	<b>17</b>	<b>INSTRUCTIONS D'INSTALLATION.....</b>	<b>42</b>
Unpack the Refrigerator.....	17	Déballage du réfrigérateur.....	42
Reduce Tipping Radius (if required).....	17	Réduire le rayon de basculement (le cas échéant).....	42
Move the Refrigerator into House.....	17	Déplacement du réfrigérateur dans le domicile.....	42
Install Anti-Tip Boards.....	18	Installation de planches antibasculement.....	43
Connect the Water Supply.....	18	Raccordement à la canalisation d'eau.....	43
Plug in Refrigerator.....	20	Brancher le réfrigérateur.....	46
Move Refrigerator to Final Location.....	20	Déplacement du réfrigérateur à son emplacement définitif.....	46
Level and Align Refrigerator.....	21	Réglage de l'aplomb et alignement du réfrigérateur.....	46
Install Overlay Custom Panels.....	21	Installation des panneaux personnalisés Overlay.....	47
Adjust Door(s).....	23	Ajustement des portes.....	48
Install Side Panel.....	25	Installation du panneau latéral.....	50
Install Base Grille.....	25	Installation de la grille de la base.....	51
Complete Installation.....	26	Terminer l'installation.....	51

# REFRIGERATOR SAFETY

## Your safety and the safety of others are very important.

We have provided many important safety messages in this manual and on your appliance. Always read and obey all safety messages.



This is the safety alert symbol.

This symbol alerts you to potential hazards that can kill or hurt you and others.

All safety messages will follow the safety alert symbol and either the word "DANGER" or "WARNING."

These words mean:

**⚠ DANGER**

You can be killed or seriously injured if you don't immediately follow instructions.

**⚠ WARNING**

You can be killed or seriously injured if you don't follow instructions.

All safety messages will tell you what the potential hazard is, tell you how to reduce the chance of injury, and tell you what can happen if the instructions are not followed.

## ⚠ WARNING



### Tip Over Hazard

**Refrigerator is top heavy and tips easily when not completely installed.**

**Keep doors taped closed until refrigerator is completely installed.**

**Use two or more people to move and install refrigerator.**

**Failure to do so can result in death or serious injury.**

## MODELS



### **Stainless Steel Series (36" [91.4 cm] Models)**

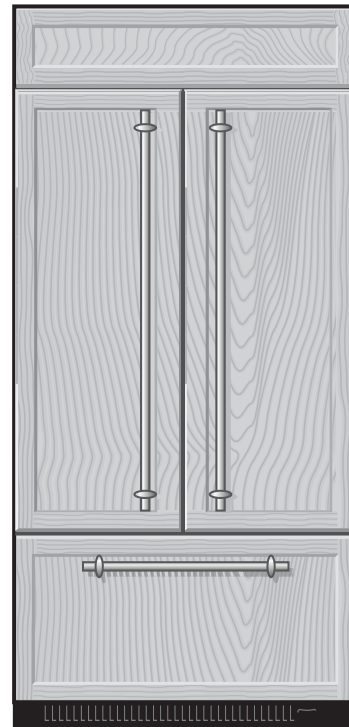
Features wraparound styling that complements the contoured door handles. This series provides a warm commercial-looking built-in refrigerator.

KBBL206ESS, KBBL306ESS, KBBR206ESS, KBBR306ESS

### **Stainless Steel Series (36" [91.4 cm] Models)**

Features wraparound styling that complements the contoured door handles. This series provides a warm commercial-looking built-in refrigerator.

KBFN406ESS, KBFN506ESS



### **Overlay Series (36" [91.4 cm] Models)**

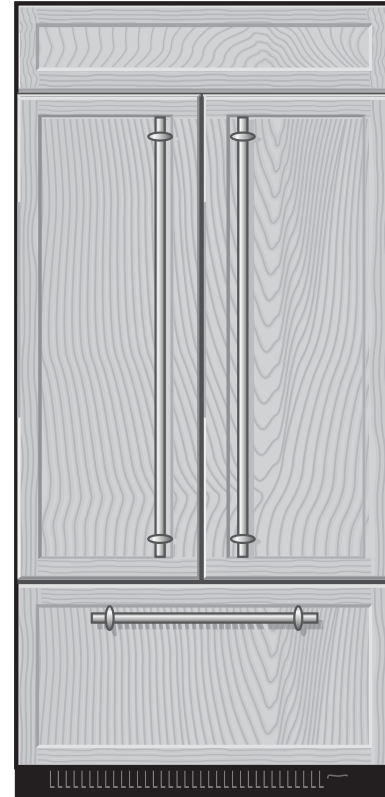
Features factory-installed, overlay style trim, to provide a "frameless" look. This series requires the installation of custom panels, handles, and standoffs.

KBBL206EPA, KBBL306EPA, KBBR206EPA, KBBR306EPA

### **Overlay Series (36" [91.4 cm] Models)**

Features factory-installed, overlay style trim, to provide a "frameless" look. This series requires the installation of custom panels, handles, and standoffs.

KBFN406EPA, KBFN506EPA



**Stainless Steel Series (42" [106.7 cm] Models)**

Features wraparound styling that complements the contoured door handles. This series provides a warm commercial-looking built-in refrigerator.

KBFN402ESS, KBFN502ESS

**Black Stainless Steel Series (42" [106.7 cm] Models)**

KBFN502EBS

**Overlay Series (42" [106.7 cm] Models)**

Features factory-installed, overlay style trim, to provide a "frameless" look. This series requires the installation of custom panels, handles, and standoffs.

KBFN402EPA, KBFN502EPA

## INSTALLATION REQUIREMENTS

### Tools and Parts

**IMPORTANT:**

- Installer: Leave Installation Instructions with the homeowner.
- Homeowner: Keep Installation Instructions for future reference. Save these Installation Instructions for the local electrical inspector's use.

**Tools Needed**

Gather the required tools and parts before starting installation. Read and follow the instructions provided with any tools listed here.

- |                           |  |
|---------------------------|--|
| ■ Cordless drill          | ■ Torx† T15 and T27 screwdrivers         |
| ■ Drill bits              | ■ 11/32" nut driver                      |
| ■ Adjustable wrenches (2) | ■ 3/8", 1/4", and 1/2" open-end wrenches |
| ■ Phillips screwdriver    | ■ 5/32" hex key                          |
| ■ Small level             | ■ 1/4" and 5/16" socket drivers          |
| ■ Appliance dolly         | ■ Tape measure                           |
|                           | ■ Utility knife                          |

**Parts Needed**


- #8 x 3" (7.6 cm) wood screws (longer screws may be needed) (6)
- 2" x 4" x 32" (5 cm x 10 cm x 81 cm) wood board(s) (1 or 2)
- Make custom panels or consult a qualified cabinetmaker or carpenter to make the panels.  
 Overlay Series: Make custom panels, or consult a qualified cabinetmaker or carpenter to make the panels. See "Installation Requirements" for more information.  
 Stainless Series and Black Stainless Series are shipped complete.
- If you are connecting the water line directly to copper tubing and not to a shutoff valve, you need a ferrule, a union, and a 1/4" compression fitting.

†TORX is a trademark of Acument Intellectual Properties, LLC.

## Location Requirements

The refrigerator can be recessed in an opening between cabinets or installed at the end of a cabinet run using a side panel to enclose the refrigerator.

⚠ WARNING



Explosion Hazard

Keep flammable materials and vapors, such as gasoline, away from refrigerator.

Failure to do so can result in death, explosion, or fire.

**IMPORTANT:** This appliance is intended to be used in household and similar applications such as:

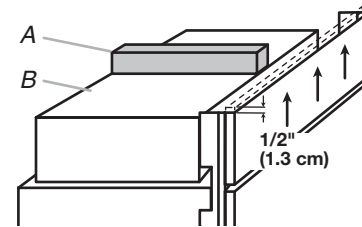
- Staff kitchen areas in shops, offices and other working environments.
- Farm houses and by clients in hotels, motels and other residential type environments.
- Bed and breakfast type environments.
- Catering and similar non-retail applications.
- Observe all governing codes and ordinances.
- It is recommended that you do not install the refrigerator near an oven, radiator, or other heat source.
- Do not install in a location where the temperature will fall below 13°C (55°F).
- Floor must support the refrigerator weight, more than 600 lbs (272 kg), door panels and contents of the refrigerator.
- Ceiling height must allow for side tipping radius. See “Tipping Radius.”
- Location should permit door to open fully. See “Door Swing Dimensions.”
- Location must permit top grille removal. See “Opening Dimensions.”

### Opening Dimensions

- To avoid tipping during use, the solid soffit must be within 1" (2.5 cm) maximum above the refrigerator. If the solid soffit is higher than 1" (2.5 cm) or one is not available, then the refrigerator must be braced.
- If anti-tip boards are needed, they must be installed to the rear wall studs so that the bottom of the anti-tip board is 84" (213.4 cm) from the floor. See “Install Anti-Tip Boards” for more information.

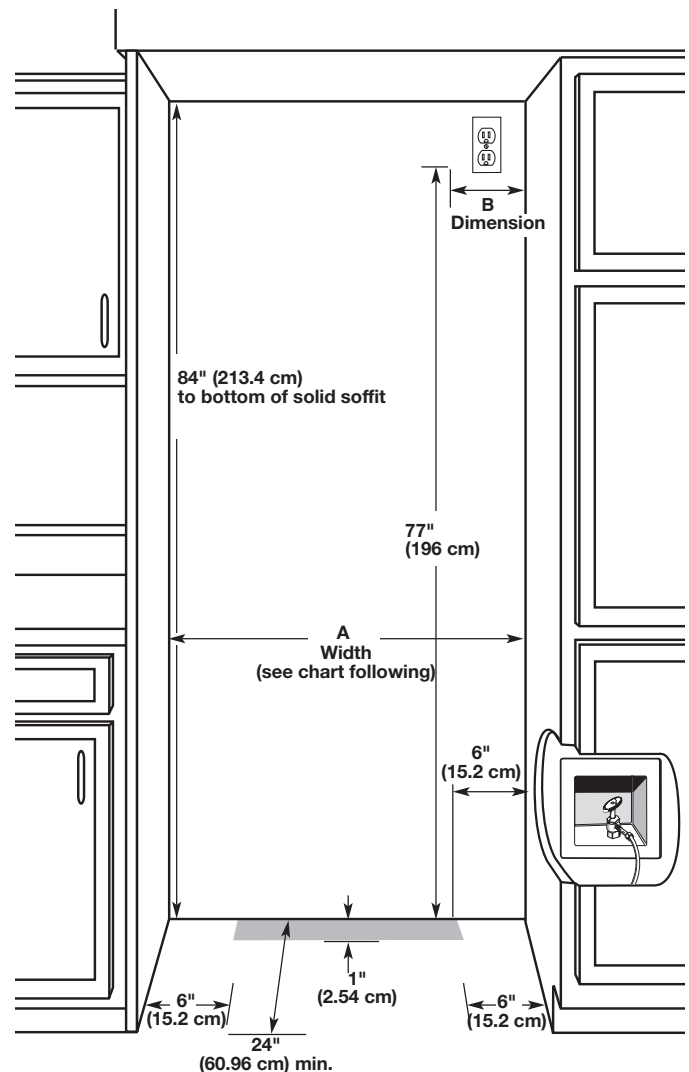
#### NOTES:

- A clearance of 1/2" (1.3 cm) must be maintained above the top grille in order for the top grille to be removed.
- Do not remove the foam gasket on top of the compressor cover unless removal is necessary to fit the unit under a soffit. Removal of the gasket will cause loss in cooling efficiency.
- If installing under a solid soffit, after installation raise the leveling legs so that the gasket is pressed snugly against the soffit.



A. Gasket  
B. Compressor cover

- A grounded 3 prong electrical outlet should be placed within 4" (10.2 cm) of the right side cabinets or end panel. See “Electrical Requirements” for additional information.
- The water shutoff should be located in the base cabinet on either side of the refrigerator or some other easily accessible area. If the water shutoff valve is not in the cabinets, the plumbing for the water line can come through the floor or the back wall. See “Water Supply Requirements” for more specific information.



Model	Width A (as shown above)	Dimension B (as shown above)
36"	35½" to 35¾" (90.2 cm to 90.8 cm)	4" (10.2 cm)
42"	41½" to 41¾" (105.4 cm to 106 cm)	7½" (19 cm)

**NOTE:** Flooring under refrigerator must be at same level as the room.

## Electrical Requirements

### **⚠ WARNING**



#### **Electrical Shock Hazard**

**Plug into a grounded 3 prong outlet.**

**Do not remove ground prong.**

**Do not use an adapter.**

**Do not use an extension cord.**

**Failure to follow these instructions can result in death, fire, or electrical shock.**

Before you move your refrigerator into its final location, it is important to make sure you have the proper electrical connection.

If the supply cord is damaged, it must be replaced by the manufacturer or its service agent or a similar qualified person. Do not use a cord that shows cracks or abrasion damage along its length or at either the plug or connection end.

#### **Recommended Grounding Method**

A 115 V, 60 Hz, AC only, 15 A or 20 A fused, grounded electrical supply is required. It is recommended that a separate circuit serving only your refrigerator be provided. Use an outlet that cannot be turned off by a switch. Do not use an extension cord.

**IMPORTANT:** If this product is connected to a GFCI (Ground Fault Circuit Interrupter) protected outlet, nuisance tripping of the power supply may occur, resulting in loss of cooling. Food quality and flavor may be affected. If nuisance tripping has occurred, and if the condition of the food appears poor, dispose of it.

**NOTE:** Before performing any type of installation or cleaning, remove the top grille and turn the master power switch to OFF or disconnect power at the circuit breaker box.

When you are finished, turn ON the master power switch or reconnect power at the circuit breaker box. Then reset the control to the desired setting.

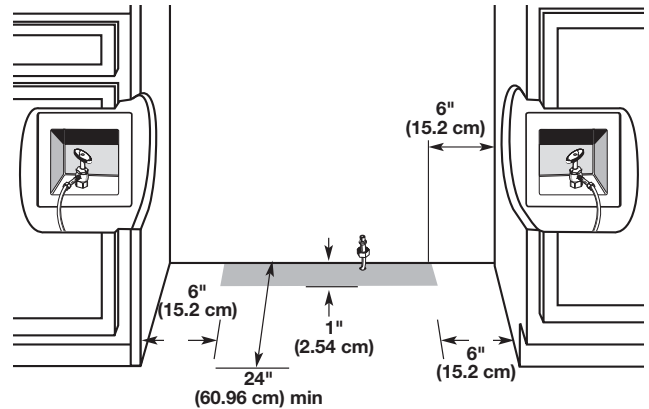
## Water Supply Requirements

- All installations must meet local plumbing code requirements.
- Connect to potable water supply only.

Do not use with water that is microbiologically unsafe or of unknown quality without adequate disinfection before or after the system. Systems certified for cyst reduction may be used on disinfected waters that may contain filterable cysts.

- The water shutoff should be located in the base cabinet on either side of the refrigerator or some other easily accessible area. The right-hand side is recommended. The access hole through the cabinet must be within 1/2" (1.3 cm) of the rear wall.

**NOTE:** If the water shutoff valve is in the back wall behind the refrigerator, it must be at an angle so that the tube is not kinked when the refrigerator is pushed into its final location.



- If the water shutoff valve is not in the cabinets, the plumbing for the water line can come through the floor. A 1/2" (1.27 cm) hole for plumbing should be drilled at least 6" (15.2 cm) from the right-hand or left-hand side cabinet or panel. On the floor, the hole should be no more than 1" (2.54 cm) away from the back wall. See "Connect the Water Supply."
- If additional tubing is needed, use copper tubing and check for leaks. Install the copper tubing only in areas where the household temperatures will remain above freezing.
- Do not use a piercing-type or 3/16" (0.48 cm) saddle valve which reduces water flow and clogs more easily.  
**NOTE:** Your refrigerator dealer has a kit available with a 1/4" (0.64 cm) saddle-type shutoff valve, a union, and copper tubing. Before purchasing, make sure a saddle-type valve complies with your local plumbing codes.

## Water Pressure

A cold water supply with water pressure between 30 psi and 120 psi (207 kPa and 827 kPa) is required to operate the water dispenser and ice maker.

**NOTE:** If the water pressure is less than what is required, the flow of water from the water dispenser could decrease or ice cubes could be hollow or irregular shaped. If you have questions about your water pressure, call a licensed, qualified plumber.

## Reverse Osmosis Water Supply

**IMPORTANT:** The pressure of the water supply coming out of a reverse osmosis system going to the water inlet valve of the refrigerator needs to be between 30 psi and 120 psi (207 kPa and 827 kPa).

If a reverse osmosis water filtration system is connected to your cold water supply, the water pressure to the reverse osmosis system needs to be a minimum of 40 psi to 60 psi (276 kPa to 414 kPa).

If the water pressure to the reverse osmosis system is less than 40 psi to 60 psi (276 kPa to 414 kPa):

- Check to see whether the sediment filter in the reverse osmosis system is blocked. Replace the filter if necessary.
- Allow the storage tank on the reverse osmosis system to refill after heavy usage.
- If your refrigerator has a water filter cartridge, it may further reduce the water pressure when used in conjunction with a reverse osmosis system. Remove the water filter cartridge.

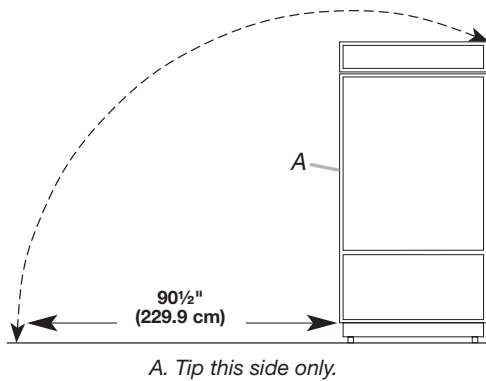
If you have questions about your water pressure, call a licensed, qualified plumber.

## Tipping Radius

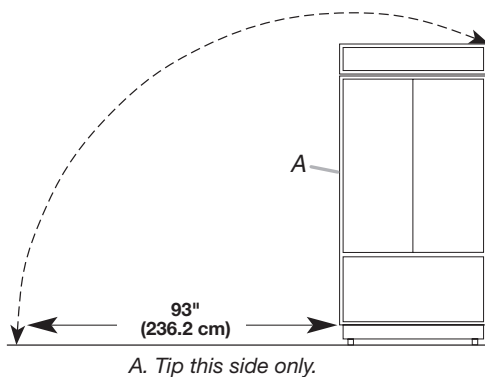
Be sure there is adequate ceiling height to stand the refrigerator upright when it is moved into place.

- The dolly wheel height must be added to the tipping radius when a dolly is used.
- If needed, the tipping radius can be reduced. See “Reduce Tipping Radius.”

### Side Tipping Radius (36" [91.4 cm] Models)



### Side Tipping Radius (42" [106.7 cm] Models)

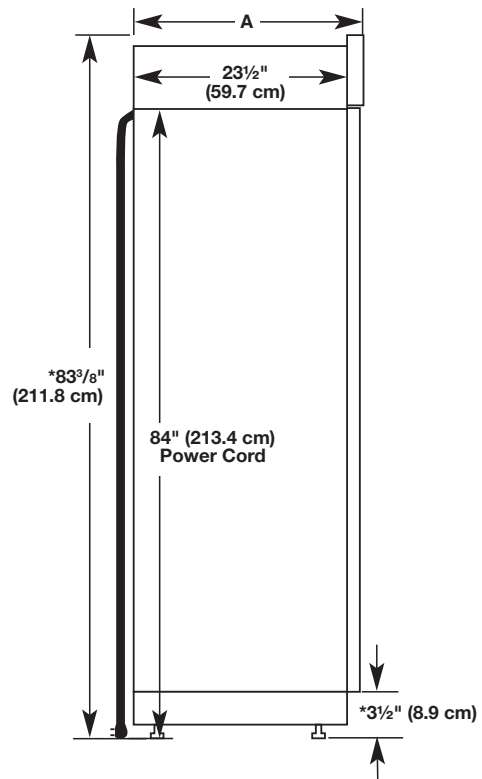


## Product Dimensions

### Side View

- The depth from the front of the top grille to the back of the refrigerator cabinet is 25<sup>3</sup>/<sub>8</sub>" (64.5 cm).
- The power cord is 84" (213 cm) long.

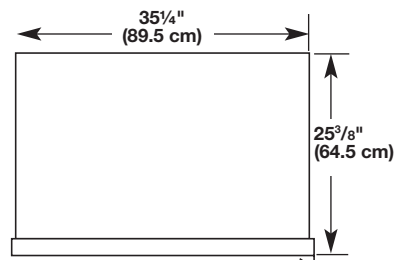
- Height dimensions are shown with leveling legs extended 1/8" (0.3 cm) below the rollers.



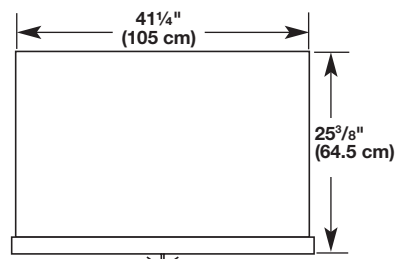
\*When leveling legs are fully extended to 1<sup>1</sup>/<sub>4</sub>" (3.2 cm) below rollers, add 1<sup>1</sup>/<sub>8</sub>" (2.9 cm) to the height dimensions.

### Top View

#### 36" (91.4 cm) Models



#### 42" (106.7 cm) Models

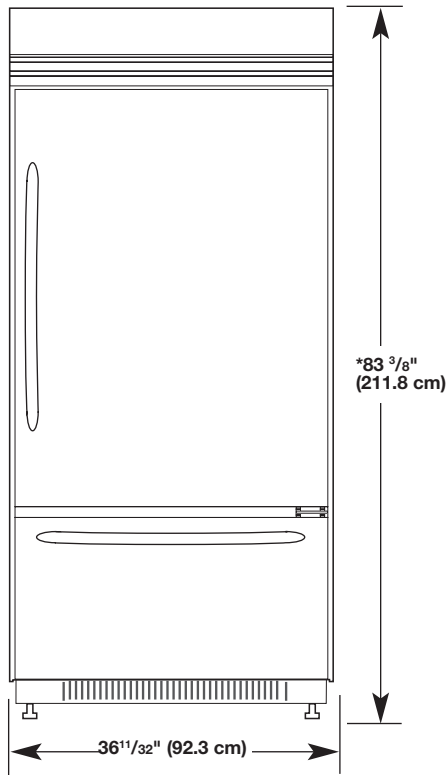




## Front View

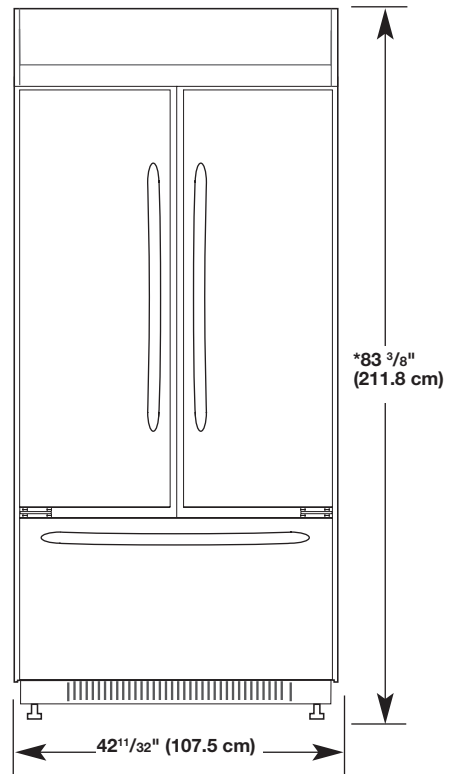
- Width dimensions were measured from trim edge to trim edge.
- Height dimensions are shown with leveling legs extended  $1/8"$  (0.3 cm) below the rollers.

### 36" (91.4 cm) Models



\*When leveling legs are fully extended to  $1/4"$  (3.2 cm) below rollers, add  $1^{1}/8"$  (2.9 cm) to the height dimensions.

### 42" (106.7 cm) Models



\*When leveling legs are fully extended to  $1/4"$  (3.2 cm) below rollers, add  $1^{1}/8"$  (2.9 cm) to the height dimensions.

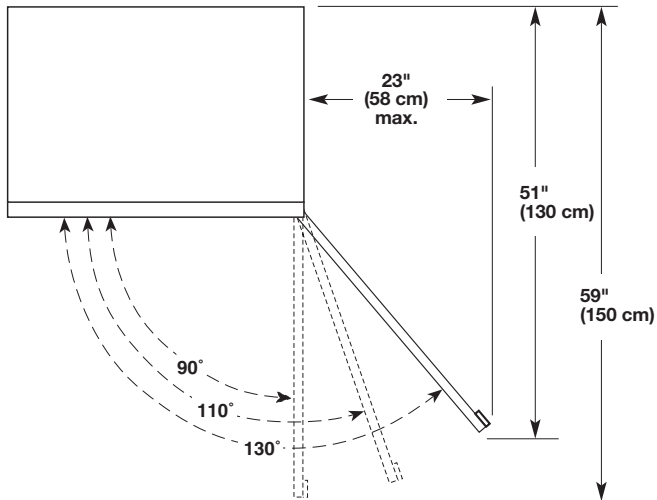
## Door Swing Dimensions

The location must permit the door to open to a minimum of 90°. Allow 5" (12.7 cm) minimum space between the side of the refrigerator and a corner wall.

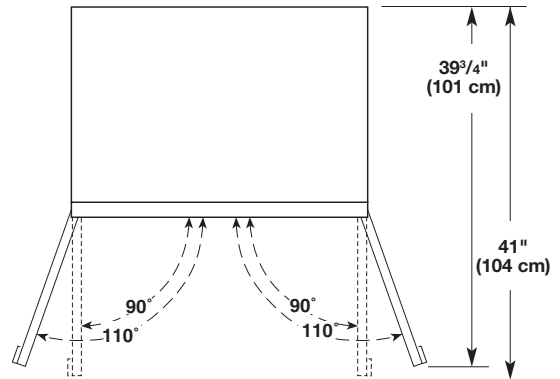
**NOTE:** The required thickness for all panels is 3/4" (1.91 cm). More clearance may be required if you are using overlay panels or custom handles.

To adjust the door swing, see "Adjust Door Swing."

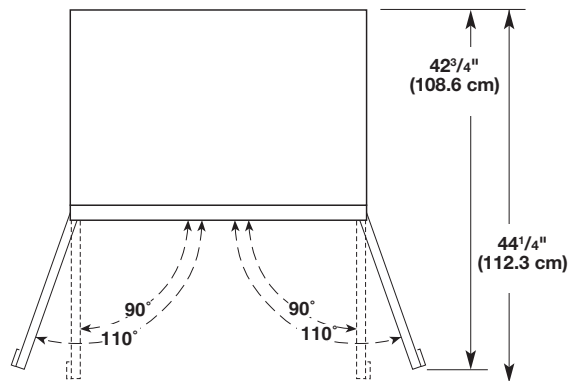
### 36" (91.4 cm) Single Door Models



### 36" (91.4 cm) French Door Models

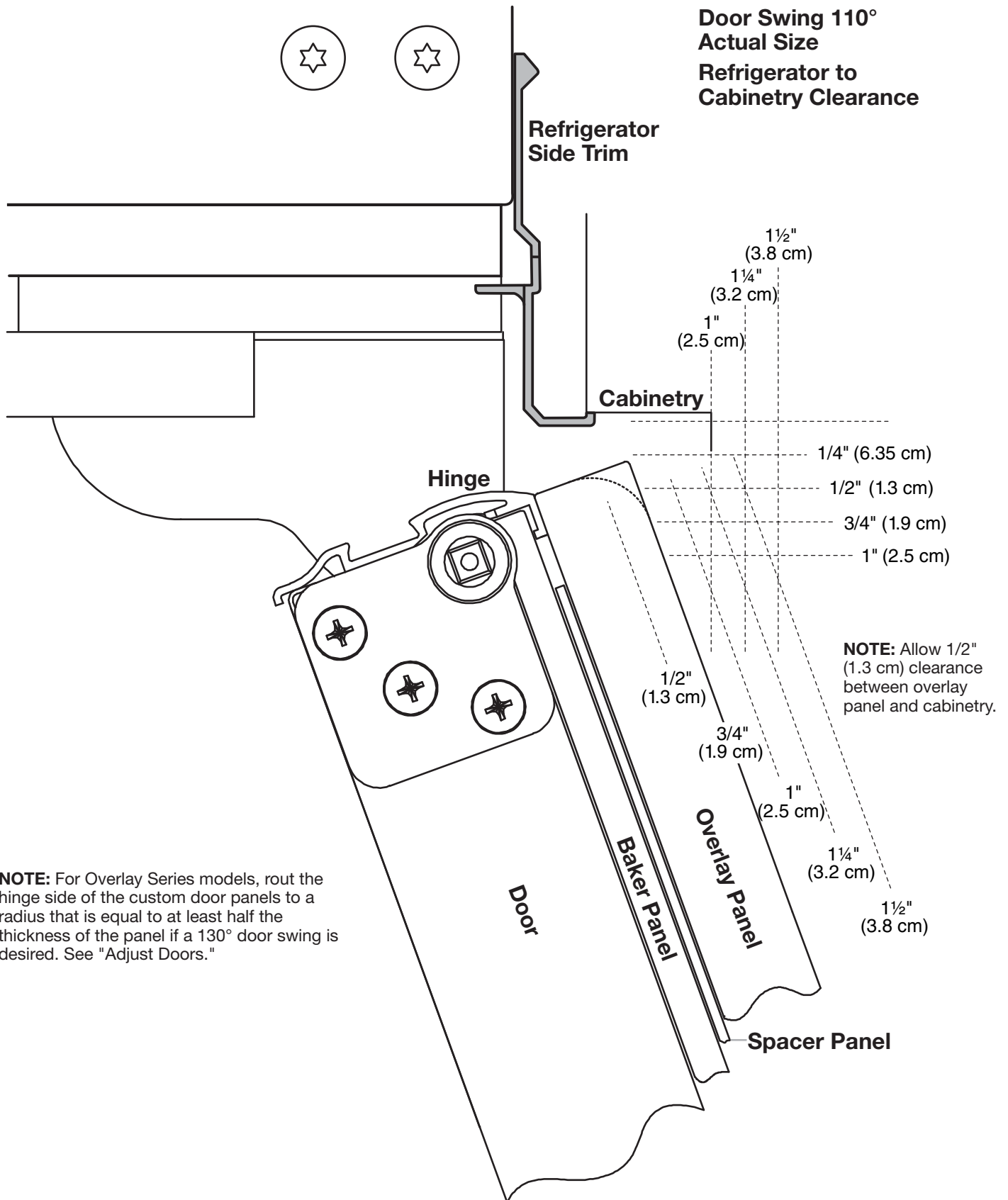


### 42" (106.7 cm) French Door Models

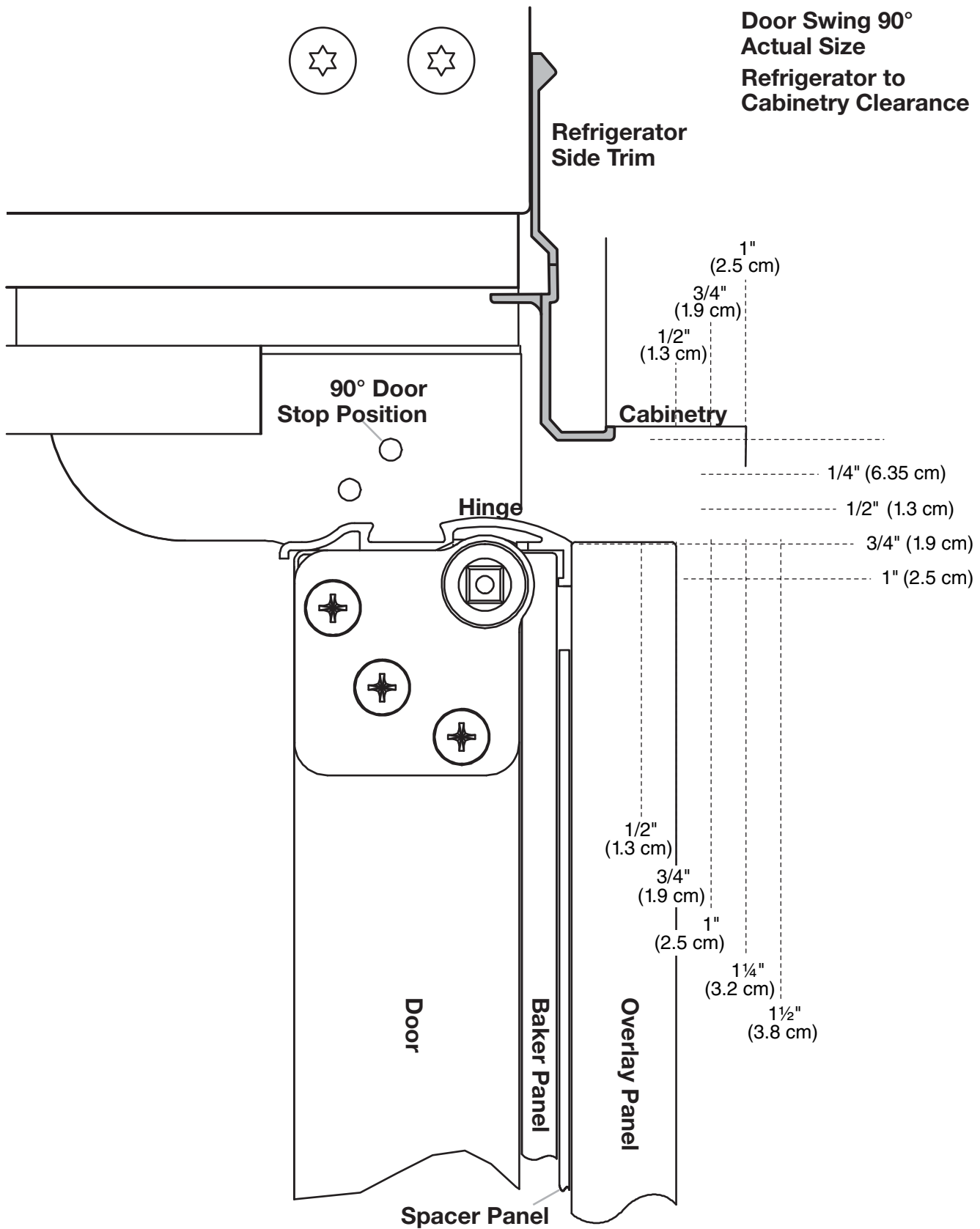


## Overlay Series Door Panel and Cabinetry Clearance

The custom door panels and adjacent cabinetry must be designed so that there is sufficient clearance for the doors to swing open. If the refrigerator is to be installed close to the wall, see "Door Swing 90°" on next page.



When the doors are closed the refrigerator will extend beyond the face of the adjacent cabinetry to some degree.

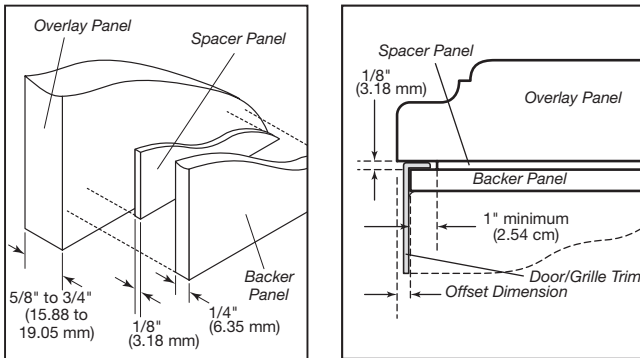


Allow a minimum of 5" (12.7 cm) of space between the side of the refrigerator and a corner wall. More clearance may be needed if thicker custom panels or custom handles are used. Do not overlook baseboards.

## Overlay Series Custom Panels

Custom overlay panels allow you to blend the exterior of your refrigerator into the overall kitchen decor and to use custom handles for additional design flexibility.

The custom panels must have backer panels attached in order to mount them to the refrigerator. It is most common to work with three panels, as shown in the following graphic: a decorative overlay panel, a 1/8" (0.32 cm) spacer panel or spacer strips and a 1/4" (0.64 cm) backer panel.



In some cases, your cabinet manufacturer may choose to work with one panel routed for the different dimensions. Follow these panel dimension and placement instructions to be sure that the custom overlay panels will fit properly.

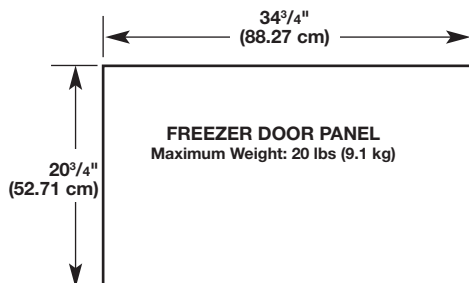
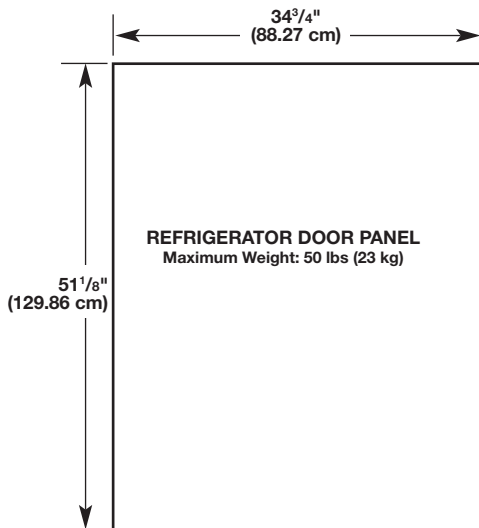
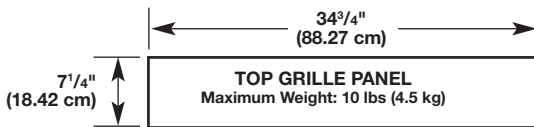
### IMPORTANT:

- For 36" (91.4 cm) single-door models, the refrigerator door overlay panel cannot exceed 50 lbs (23 kg) and the freezer drawer overlay panel cannot exceed 20 lbs (9.1 kg).
- For 36" (91.4 cm) and 42" (106.7 cm) French-door models, the refrigerator door overlay panel cannot exceed 30 lbs (13.5 kg) and the freezer drawer overlay panel cannot exceed 25 lbs (11.4 kg).
- The weight of the top grille overlay panel cannot exceed 10 lbs (4.5 kg) for both models.

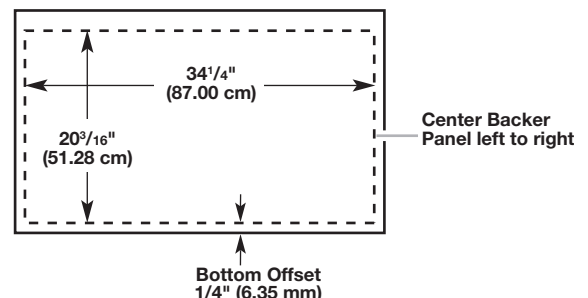
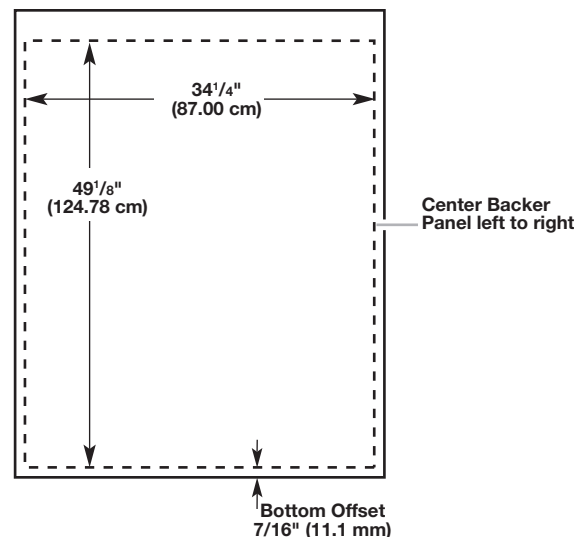
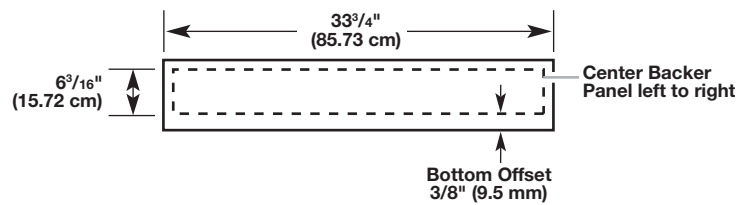
To minimize panel weight, you may use 2" (5.08 cm) spacer strips around the perimeter in place of full-sheet solid spacer panels. The spacer strips must be set in at least 1" (2.54 cm) from the top, bottom and side edges of the backer panel. If you use spacer strips, it is also recommended that you use two 2" (5.08 cm) strips horizontally centered for added support.

## Custom Overlay Panel Dimensions

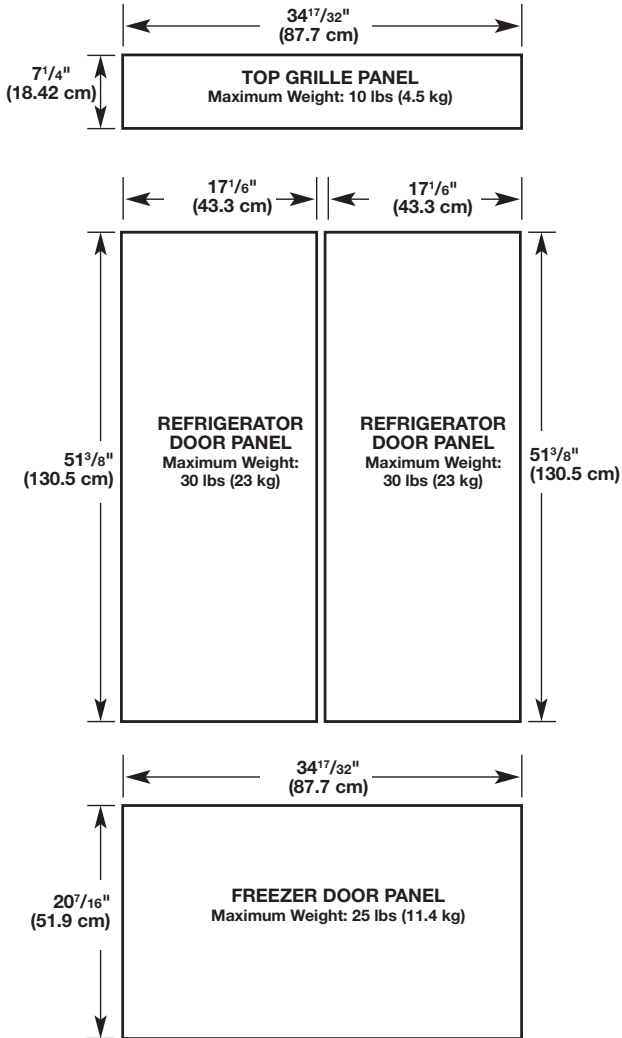
### Custom Overlay Panels (36" [91.4 cm] Single Door Models)



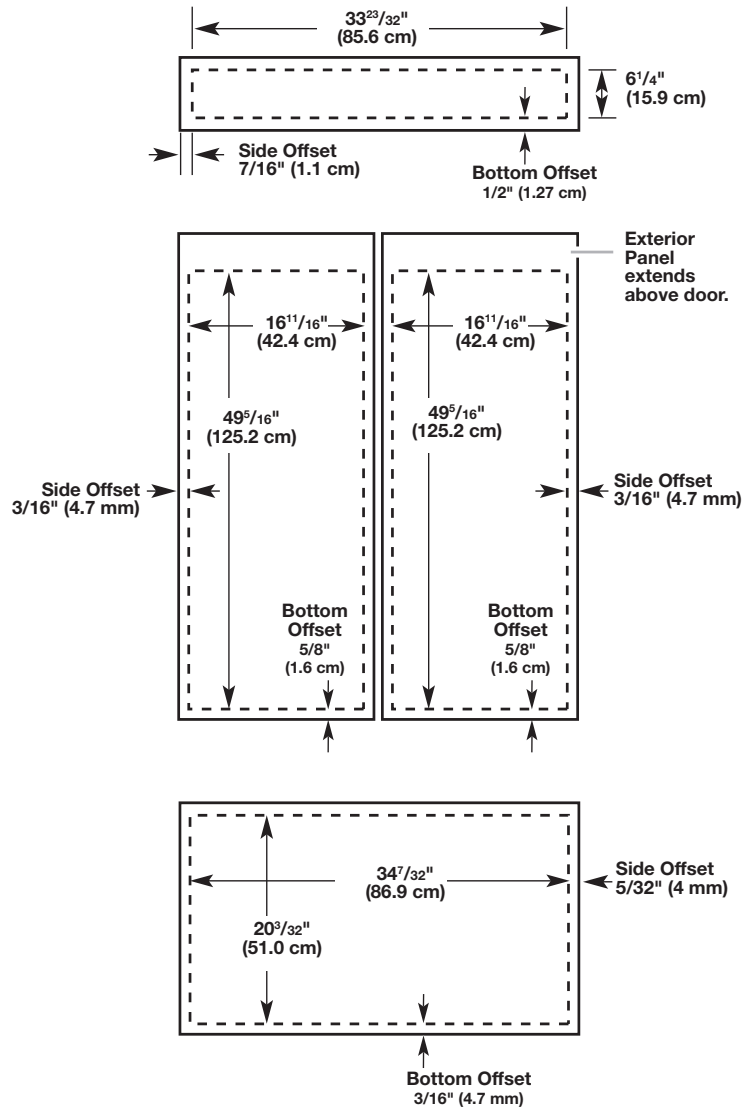
### Custom Backer Panels (36" [91.4 cm] Single Door Models)



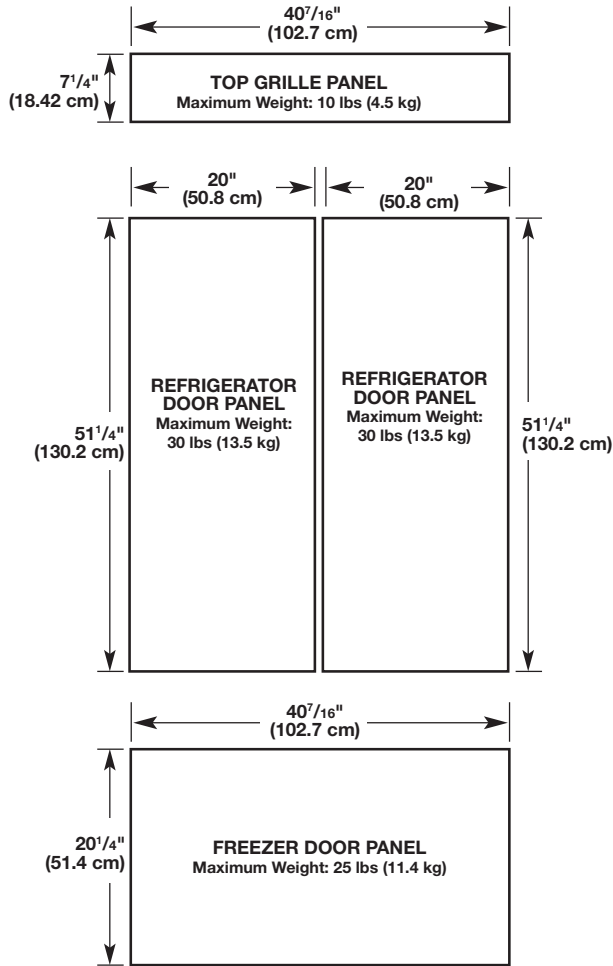
**Custom Overlay Panels**  
**(36" [91.4 cm] Single Door Models)**



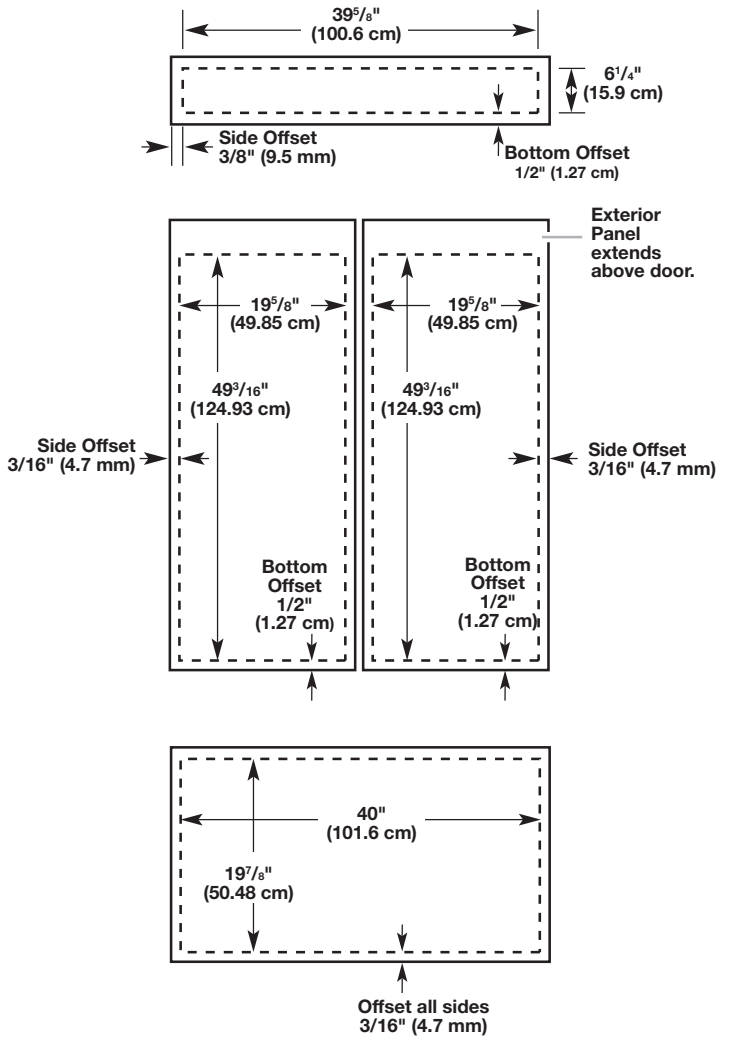
**Custom Backer Panels**  
**(36" [91.4 cm] Single Door Models)**



## Custom Overlay Panels (42" [106.7 cm] French Door Models)



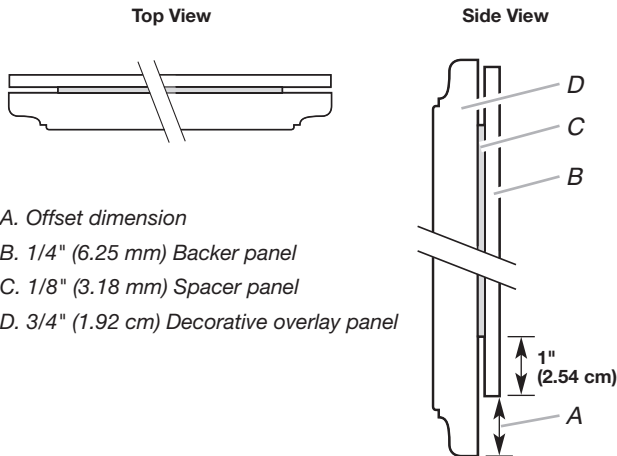
## Custom Backer Panels (42" [106.7 cm] French Door Models)



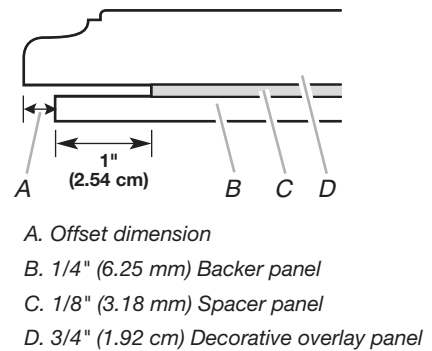
## Spacer Panels (all models)

**NOTE:** Spacer panels must be at least 1" (2.54 cm) from the top, bottom, and side edges of the backer panel.

### 3-Piece Grille Overlay Panel Configuration



### 3-Piece Door Overlay Panel Configuration



### 1-Piece Overlay Panel Configuration

In some cases, your cabinet manufacturer may choose to work with one panel routed for the different dimensions. Follow these panel dimensions and placement instructions to be sure that the custom overlay panels will fit properly.

## Stainless Steel and Overlay Series Both 36" and 42" models have the same cabinet side trim

All factory parts are available through your KitchenAid dealer or by calling KitchenAid Parts and Accessories at **1-800-442-9991**. In Canada, call **1-800-807-6777**.

### Overlay Series Door Handle Kits

The following handle style is available. Contact your KitchenAid dealer or KitchenAid Parts and Accessories at **1-800-442-9991**. In Canada, call **1-800-807-6777**.



*Knurl grip handle with chrome endcaps*

*W10782871 - French Door Bottom Mount Handle Kit*

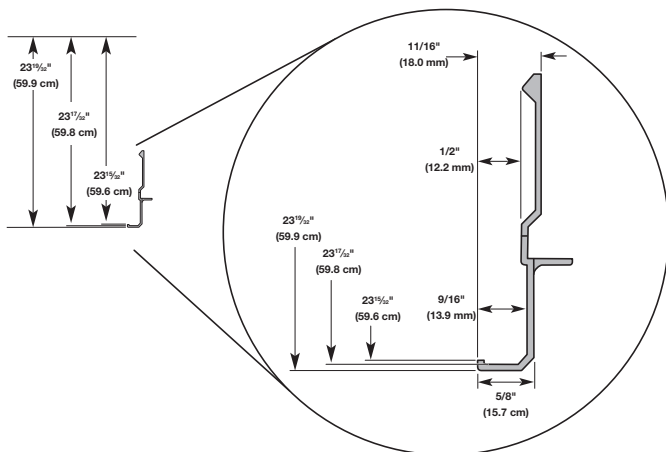
*W10782874 - Two Door Bottom Mount Handle Kit*

### Refrigerator and Side Trim Dimensions

The width and height of a side panel are determined by the type of installation you are planning.

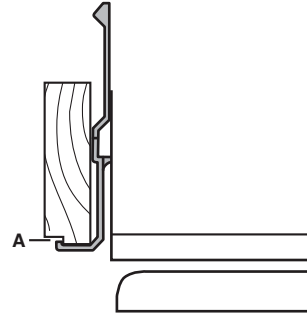
#### NOTES:

- The dimensions shown are actual product dimensions and may not reflect the needed panel installation dimensions.
- The side panel should be a minimum of 1/2" (1.27 cm) thick to avoid warping.
- If the opening depth is 25" (63.5 cm) or more, you may want to install a support board on the rear wall.



### Installation Dimensions - Option 1

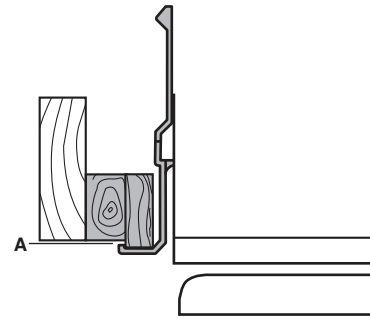
1. Measure the distance from point A (as shown) to the back wall. Add 1/16" (0.16 cm) to this measurement to allow the side panel to fit into the trim.



2. If the panel is more than 11/32" (0.87 cm) thick, rout the front edge to allow the side panel to fit into the trim.

### Installation Dimensions - Option 2

1. Measure the distance from point A (as shown) to back wall.



2. Rout the front edge of the support board or attach a 11/32" (0.87 cm) board to hold the panel in the cabinet side trim.



# INSTALLATION INSTRUCTIONS

## Unpack the Refrigerator

### **⚠️ WARNING**



#### Tip Over Hazard

**Refrigerator is top heavy and tips easily when not completely installed.**

**Keep doors taped closed until refrigerator is completely installed.**

**Use two or more people to move and install refrigerator.**

**Failure to do so can result in death or serious injury.**

#### IMPORTANT:

- Do not remove the film covering until the refrigerator is in its operating location.
  - All four leveling legs must contact the floor to support and stabilize the full weight of the refrigerator.
  - Keep the cardboard shipping piece or plywood under the refrigerator until it is installed in the operating location.
1. Remove and save the literature package bag taped to the side of the refrigerator and the parts bag behind the grille. Remove the four brackets (two on each side) that attach the shipping base to the refrigerator bottom.  
**NOTE:** Do not remove tape and door bracing until the refrigerator is in its final location.
  2. If necessary, reduce the tipping radius. See “Tipping Radius” for ceiling height requirements or “Reduce Tipping Radius” for step-by-step instructions. If you do not need to reduce the tipping radius, proceed to “Move the Refrigerator into House.”

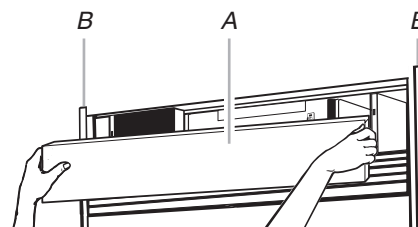
## Reduce Tipping Radius (if required)

Before bringing the refrigerator into the home, be sure there is adequate ceiling height to stand the refrigerator upright. See “Tipping Radius” in the “Installation Requirements” section for more information.

If you do not have adequate ceiling height to stand the refrigerator upright, the tipping radius can be reduced by removing the top grille and side trims (see the following chart).

Model	Reduced Tipping Radius
36"	89" (226.1 cm)
42"	90" (228.6 cm)

1. Grasp both ends of the top grille.
2. Push the top grille straight up; then pull straight out. Lay the grille on a soft surface.



A. Top grille

B. Cabinet side trim

3. Remove the 6 screws attaching each cabinet side trim to the refrigerator and remove the side trims.

## Move the Refrigerator into House

### **⚠️ WARNING**



#### Tip Over Hazard

**Refrigerator is top heavy and tips easily when not completely installed.**

**Keep doors taped closed until refrigerator is completely installed.**

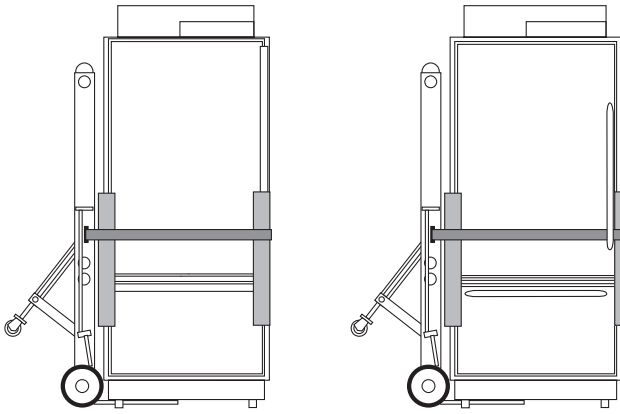
**Use two or more people to move and install refrigerator.**

**Failure to do so can result in death or serious injury.**

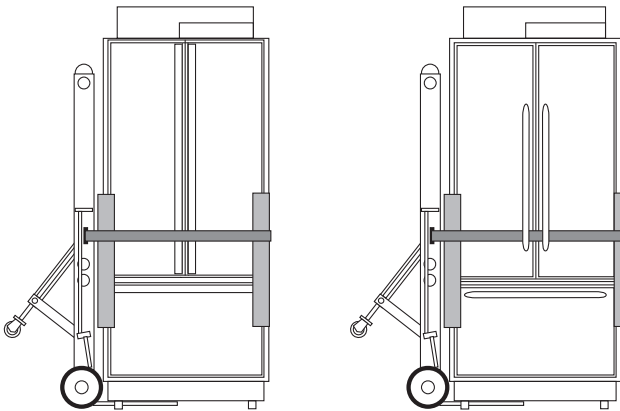
1. Place an appliance dolly under the left-hand side of the refrigerator as shown. Place the corner posts from the packing materials over the trims and handles as appropriate to avoid damage. Slowly tighten the strap.

**NOTE:** Pass the dolly strap under the handles.

### 36" (91.4 cm) Single Door Models



### 36" (91.4 cm) and 42" (106.7 cm) French Door Models



2. Place pieces of the shipping carton on the floor when rolling the dolly and refrigerator into the house. Move the refrigerator close to the built-in opening.
3. Place top of cardboard carton or plywood under refrigerator.
4. Stand the refrigerator up. First, place the left bottom edge of the refrigerator on the floor, stand the refrigerator upright and then lower the right-hand side of the refrigerator to the floor.
5. Do not remove film or cover.
6. Reassemble the trim and top grille after the dolly has been removed from the refrigerator.

## Install Anti-Tip Boards

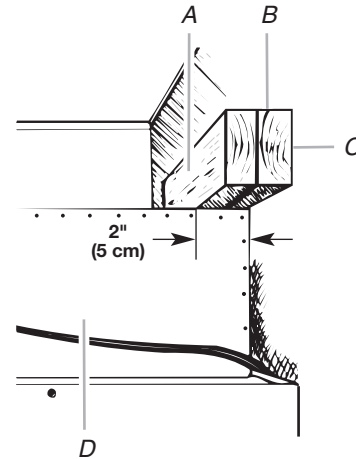
#### IMPORTANT:

- To avoid tipping during use, the solid soffit must be within 1" (2.5 cm) maximum above the refrigerator. If the solid soffit is higher than 1" (2.5 cm) or one is not available, then the refrigerator must be braced.
- It is recommended that board(s) be installed before the refrigerator is installed.
- Board(s) must be long enough to fully cover the width of the compressor cover.
- Locate the board(s) so the bottom surface(s) of the board(s) is (are) 84" (213 cm) from the floor.
- During installation, raise the refrigerator up so there is 1/4" (0.64 cm) maximum between the top of the refrigerator and the bottom of the anti-tip board(s). Do not crush the compressor cover when raising the rear leveling legs.

**NOTE:** The foam gasket, on top of the compressor cover, will compress to fit under the anti-tip board(s). There is no need to trim the gasket.

### To Install Anti-tip Boards

1. Mark the stud locations on rear wall.
2. Securely attach one or two 2" x 4" x 32" (5 cm x 10 cm x 81 cm) boards to wall studs behind refrigerator. Use six #8 x 3" (7.6 cm) (or longer) wood screws. The wood screws must be screwed into the studs at least 1 1/2" (3.8 cm). The board(s) must overlap the compressor cover.



- A. Center board 1/4" (6.35 mm) max. above refrigerator  
 B. Two 2" x 4" x 32" (5 cm x 10 cm x 81 cm) boards  
 C. Attach to studs with six #8 x 3" (7.6 cm) screws  
 D. Compressor cover

## Connect the Water Supply

Read all directions before you begin.

#### IMPORTANT:

- Connect to potable water supply only.

Do not use with water that is microbiologically unsafe or of unknown quality without adequate disinfection before or after the system. Systems certified for cyst reduction may be used on disinfected waters that may contain filterable cysts.

- If you turn the refrigerator on before the water line is connected, turn the ice maker OFF.

### Connect to Water Line

#### Parts Needed

- Minimum 7 ft (2.13 m) flexible, codes-approved water supply line

#### Style 1—Shutoff Valve Connection

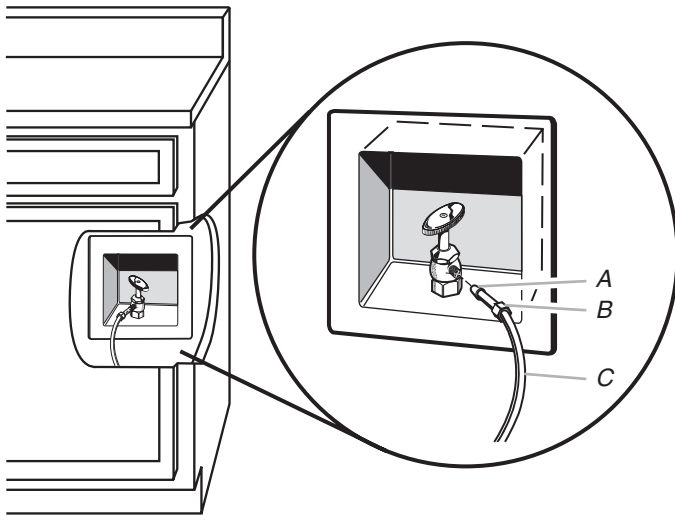
**NOTE:** If your water line connection does not look like Style 1, see "Style 2—Copper Line Connection."

1. Unplug refrigerator or disconnect power supply.

#### IMPORTANT:

- There is not enough clearance to achieve a flush installation if a water shutoff valve is located in the wall behind the refrigerator. The water shutoff should be located in the base cabinet on either side of the refrigerator.
- Before attaching the tubing to shutoff valve, flush the main water supply line to remove particles and air in the water line. Allow enough flow so that water becomes clear. Flushing the water line may help avoid filters and/or water valves from becoming clogged.

2. Connect the flexible, codes-approved water supply line to the water shutoff valve by threading the provided nut onto the shutoff valve as shown.



A. Bulb  
B. Nut  
C. Water tubing

3. Place the end of the tubing into a bucket, and turn shutoff valve ON.
4. Check for leaks. Tighten any nuts or connections (including connections at the valve) that leak.

### Style 2—Copper Line Connection

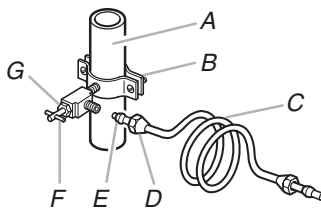
**NOTE:** If there is a water supply line that meets the specifications in “Water Supply Requirements,” proceed to “Connecting to Refrigerator.” If not, use the following instructions to connect to the household cold water supply.

1. Unplug refrigerator or disconnect power.
2. Turn OFF main water supply. Turn ON nearest faucet long enough to clear line of water.
3. Locate a 1/2" to 1 1/4" (1.3 cm to 3.18 cm) vertical cold water pipe near the refrigerator.

**IMPORTANT:**

- Make sure it is a cold water pipe.
- Horizontal pipe will work, but drill on the top side of the pipe, not the bottom. This will help keep water away from the drill and keep normal sediment from collecting in the valve.

4. Determine the length of copper tubing you need. Measure from the connection on the refrigerator to the water pipe. Add 7 ft (2.1 m) to allow for cleaning. Use 1/4" (0.64 cm) O.D. (outside diameter) copper tubing. Be sure both ends of copper tubing are cut square.
5. Using a cordless drill, drill a 1/4" (0.64 cm) hole in the cold water pipe you have selected.



A. Cold water pipe  
B. Pipe clamp  
C. Copper tubing  
D. Compression nut  
E. Compression sleeve  
F. Shutoff valve  
G. Packing nut

6. Fasten the shutoff valve to the cold water pipe with the pipe clamp. Be sure the outlet end is solidly in the 1/4" (0.64 cm) drilled hole in the water pipe and that the washer is under the pipe clamp. Tighten the packing nut. Tighten the pipe clamp screws slowly and evenly so washer makes a watertight seal. Do not overtighten.

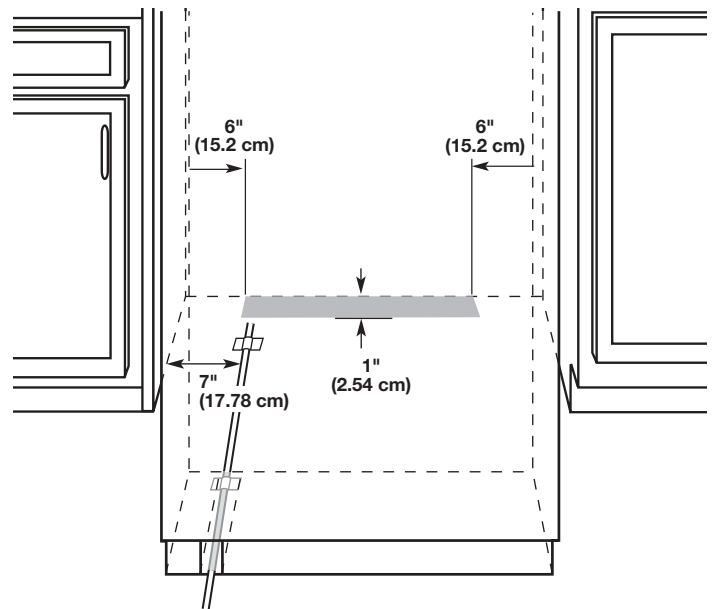
**IMPORTANT:** Before attaching the tubing to shutoff valve, flush the main water supply line to remove particles and air in the water line. Allow enough flow so that water becomes clear. Flushing the water line may help avoid filters and/or water valves from becoming clogged.

7. Slip the compression sleeve and compression nut on the copper tubing as shown. Insert the end of the tubing into the outlet end squarely as far as it will go. Screw compression nut onto outlet end with adjustable wrench. Do not overtighten the clamp or the sleeve. This will crush the copper tubing.
8. Turn off the shutoff valve on the water pipe. Coil the copper tubing.
9. Connect the flexible, codes-approved water supply line to the water shutoff valve by threading the provided nut onto the shutoff valve.
10. Place the end of the tubing into a bucket, and turn shutoff valve ON.
11. Check for leaks around the saddle valve. Tighten any nuts or connections (including connections at the valve) that leak.

### Connect to Refrigerator

#### Parts Supplied

- 1/4" to 1/4" (0.64 cm to 0.64 cm) male-to-male coupling



**NOTE:** The flexible, codes-approved water supply line should connect to the supply valve through the floor.

1. Unplug the refrigerator or disconnect power.
2. Connect the 7 ft (2.13 m) flexible codes-approved water tube to the water supply valve.
3. Flush the main water supply line to remove particles and air in the water line. Allow enough flow so that water becomes clear.

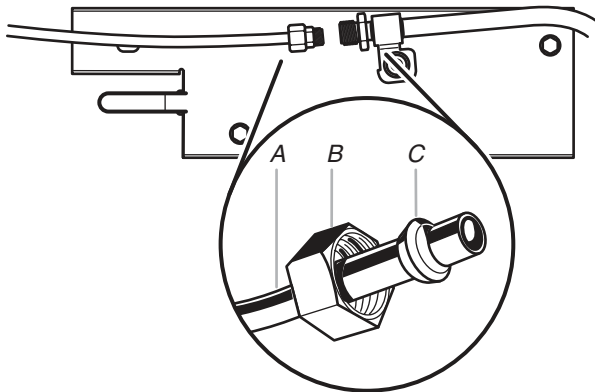
4. Tape the 7 ft (2.13 m) flexible codes-approved water supply line to the floor, 7" (17.78 cm) from the left side of the refrigerator. Tape along the length of the tubing, which will allow it to pass beneath the refrigerator without interference.

**NOTE:** Allow a minimum of 26" (66.04 cm) of flexible codes - approved water supply line to be loose at the front of the refrigerator for connecting to the refrigerator.

5. Connect the 7 ft (2.13 m) flexible codes-approved water supply line to the refrigerator.

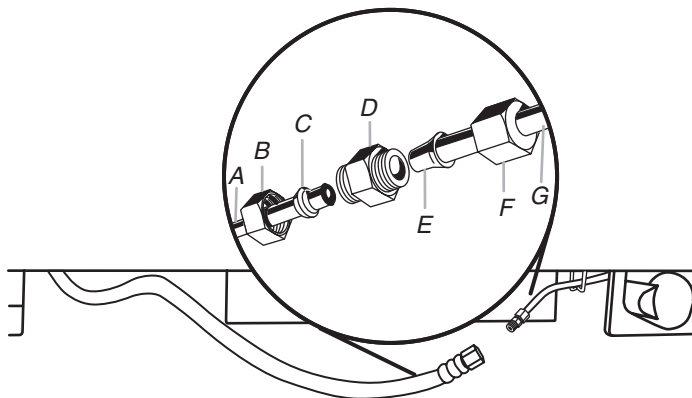
**NOTE:** If the main water shutoff valve is behind the refrigerator, a secondary water shutoff valve may be installed in line with the water supply line at the front of the product.

#### Overmold Coupling (on some models)



- A. Household water line
- B. Nut (purchased)
- C. Ferrule (purchased)

#### Discrete Coupling (on some models)



- A. Household water line
- B. Nut (purchased)
- C. Ferrule (purchased)
- D. Coupling
- E. Bulb
- F. Nut
- G. Refrigerator water tubing

6. Turn on the water supply valve and check all connections for leaks.

## Plug in Refrigerator

### ⚠ WARNING



#### Electrical Shock Hazard

**Plug into a grounded 3 prong outlet.**

**Do not remove ground prong.**

**Do not use an adapter.**

**Do not use an extension cord.**

**Failure to follow these instructions can result in death, fire, or electrical shock.**

1. Set control switch at top of cabinet to the OFF position.
2. Plug into a grounded 3 prong outlet.

If the supply cord is damaged, it must be replaced by the manufacturer or its service agent or a similar qualified person. Do not use a cord that shows cracks or abrasion damage along its length or at either the plug or connection end.

## Move Refrigerator to Final Location

### ⚠ WARNING



#### Tip Over Hazard

**Refrigerator is top heavy and tips easily when not completely installed.**

**Keep doors taped closed until refrigerator is completely installed.**

**Use two or more people to move and install refrigerator.**

**Failure to do so can result in death or serious injury.**

**IMPORTANT:** To avoid floor damage, make sure levelers are raised (not touching floor) and refrigerator is on rollers before moving.

1. Place top of cardboard carton or plywood under refrigerator. Remove dolly.
2. Do not remove film or cover.
3. Move the refrigerator straight back and evenly into the opening. Be sure that the refrigerator side trims are not interfering with the door opening. Also, be sure that the water tubing is not kinked and the power supply cord is on top of the refrigerator.

## Level and Align Refrigerator

### **⚠ WARNING**



#### Tip Over Hazard

Refrigerator is top heavy and tips easily when not completely installed.

Keep doors taped closed until refrigerator is completely installed.

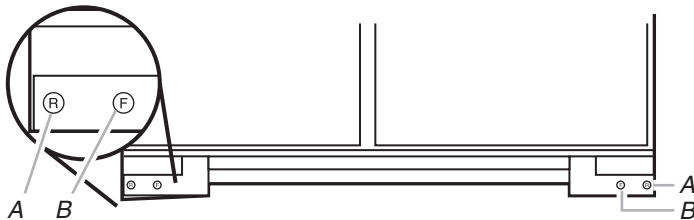
Use two or more people to move and install refrigerator.

Failure to do so can result in death or serious injury.

**IMPORTANT:** All four leveling legs must contact the floor to support and stabilize the full weight of refrigerator. Rollers are for moving refrigerator and not for permanent support.

**After moving the refrigerator to its final location:**

1. Use a 5/16" (0.79 cm) socket driver to turn the leveling bolts clockwise to extend the legs to the floor as shown. The rollers should be off the floor.

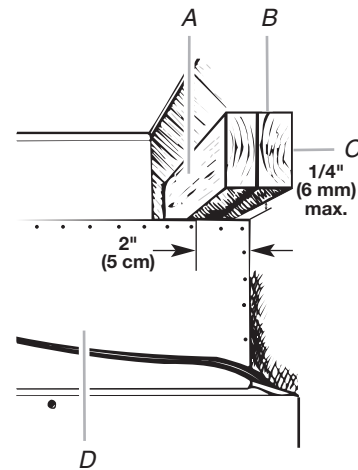


A. Rear leveling bolt

B. Front leveling bolt

2. Adjust the leveling legs to level and align the refrigerator from left to right and front to back so that the refrigerator is level and aligned with the cabinetry. The cabinetry surface must be plumb for the ideal fit of the refrigerator side trim.
3. Continue adjusting all of the leveling legs to raise the refrigerator until the top is within at least 1" (2.54 cm) of the top soffit.

**NOTE:** If an anti-tip board has been used, adjust the leveling legs until the top of the refrigerator is within 1/4" (0.64 cm) of the bottom of the anti-tip board as shown. Do not crush the compressor cover.



A. Center board 1/4" (6 mm) max. above refrigerator

B. Two 2" x 4" x 32" (5 cm x 10 cm x 81 cm) boards

C. Attach to studs with six #8 x 3" (7.6 cm) screws

D. Compressor cover

**IMPORTANT:** Adjust in small increments to keep from damaging the cabinet trim and causing problems with the door alignment or top grille fit. To avoid damage to the cabinet or leveling legs, do not apply more than 50 inch-pounds (5.65 Nm) of torque to the leveling bolts. The leveling legs can be extended to a maximum of 1 1/4" (3.18 cm) below the rollers.

4. For Overlay models, additional adjustments may be needed after the custom panels are installed.

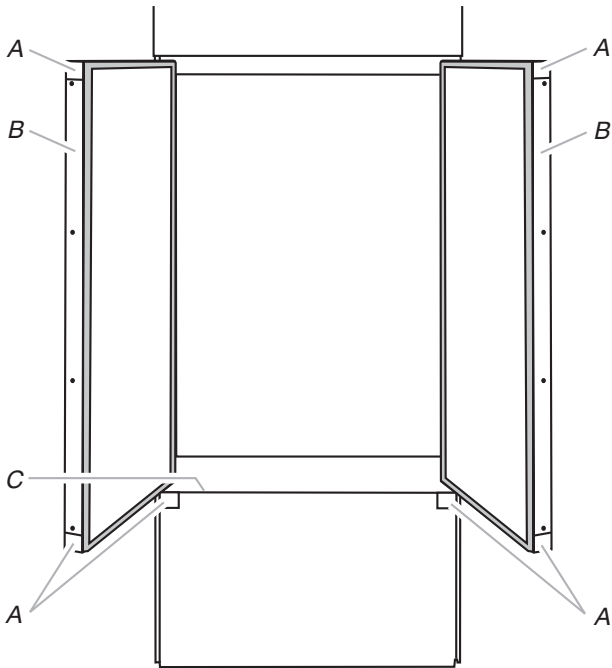
## Install Overlay Custom Panels

### **IMPORTANT:**

- Install the custom handles prior to installing the panels on the refrigerator. For more information on KitchenAid custom handle selection, refer to the KitchenAid Catalog, visit [www.kitchenaid.com](http://www.kitchenaid.com), or call 1-800-422-1230. In Canada, visit [www.kitchenaid.ca](http://www.kitchenaid.ca), or call 1-800-807-6777.
- Create custom door overlay panels according to the specifications in the "Overlay Series Custom Panels" section.
- KitchenAid is not responsible for the removal or addition of molding or decorative panels that would not allow access to the refrigerator for service.

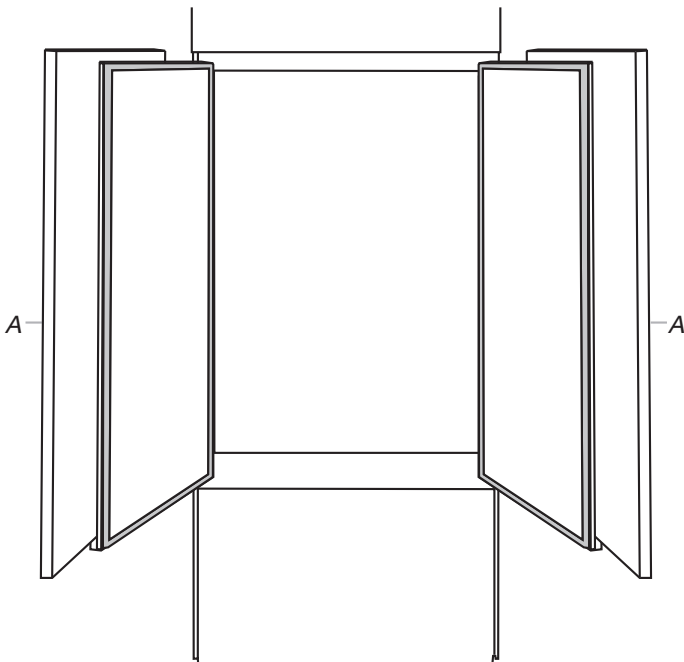
## Door Panel Installation

1. Remove all tape and door bracing from the refrigerator door(s) and freezer drawer.
2. Open the refrigerator door(s) and freezer drawer and remove the trims and corner caps on each door as shown.



A. Corner caps  
B. Refrigerator door trims  
C. Freezer drawer trim

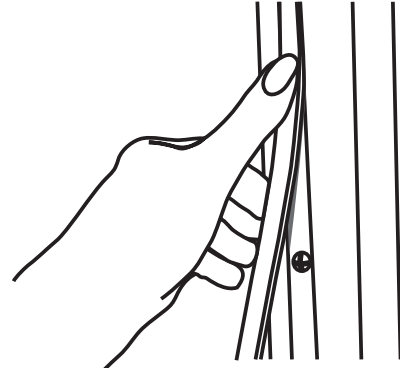
3. Slide the custom panels into the trims on the refrigerator door(s) and freezer drawer, making sure that the backer panel fits into the hinge side trims.



A. Panels

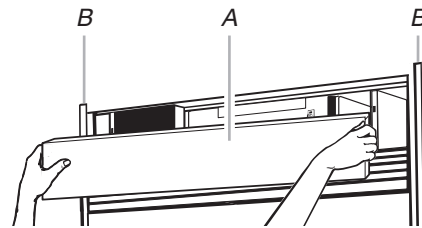
4. Reinstall the trims and corner caps.

5. Remove the film from the screw covers. Snap the screw covers into the handle trim section.



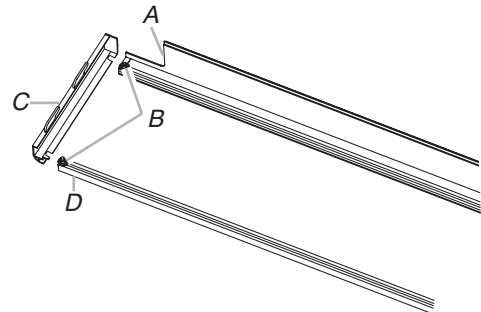
## Top Grille Panel

1. Grasp both ends of the top grille.
2. Push straight up; then pull straight out. Place the top grille panel-side down on a soft working surface.



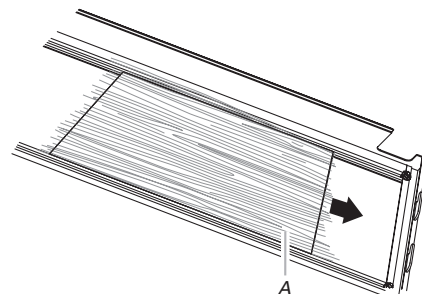
A. Top grille  
B. Cabinet side trims

3. Remove one end cap by loosening the nuts and sliding the end cap off.



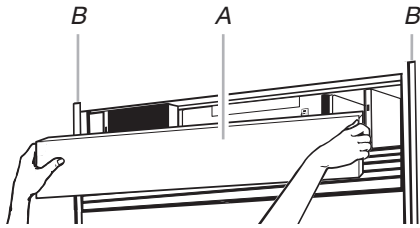
A. Bottom rail  
B. Nuts  
C. End cap  
D. Top rail

4. Slide the custom panel into the top grille channel and reattach the end cap.



A. Custom panel

- Replace the top grille in the cabinet side trims and pull the panel down slightly to lock it into place.

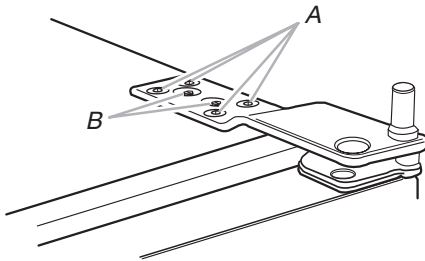


A. Top grille  
B. Cabinet side trims

## Adjust Door(s)

### Door Alignment

- Loosen, but do not remove, the four Torx<sup>†</sup> 27 flat-head mounting screws. Remove the 1/4" hex-head mounting screws in the top hinge.
- Adjust the top hinge of the door to align it.
- Tighten the Torx<sup>†</sup> 27 flat-head mounting screws to a torque of approximately 100 inch-pounds (11.3 Nm).
- Discard the 1/4" hex-head screws.



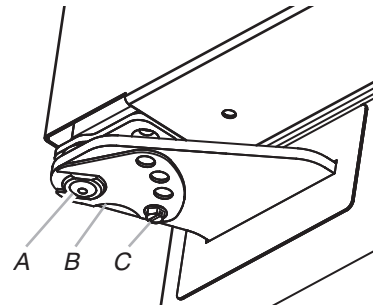
A. Torx<sup>†</sup> 27 flat-head mounting screws  
B. 1/4" hex-head mounting screws

### Door Height Adjustment (36" [91.4 cm] and 42" [106.7 cm] French Door Models)

Use the following steps to adjust the door height, up or down, after the refrigerator has been leveled.

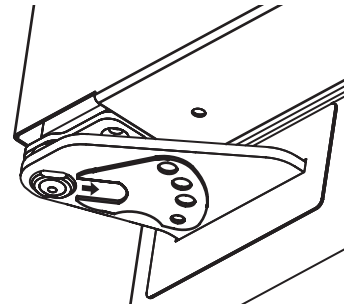
**NOTE:** Adjust the right-hand door to the position of the left-hand door first. If it is necessary to adjust the left-hand door, you must make sure that the hinged center rail located on the left-hand door does not drag when closing the door.

- Open the freezer drawer. Remove the locking plate screw from the bottom side of the refrigerator door hinge using a 1/4" open-end wrench.



A. Bushing  
B. Locking plate  
C. Locking plate screw

- Remove the locking plate as shown.

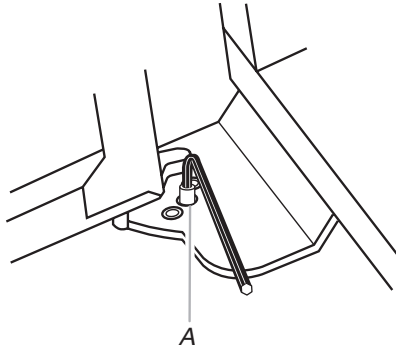


- Turn the bushing located underneath the bottom of the hinge using a 1/2" open-end wrench. Turning the bushing to the left will lower the door. Turning the bushing right will raise the door.
- After adjusting, check the doors to make sure they are even at the top and bottom. If the doors are not even, continue to turn the bushing to adjust the door.
- Replace the locking plate.
  - Turn the bushing slightly to align the hinge and locking plate screw holes.
  - Replace and tighten the locking plate screw.
- Make final check to make sure the doors are aligned and even.

## Door Swing Adjustment

### 36" (91.4 cm) Single-Door Models

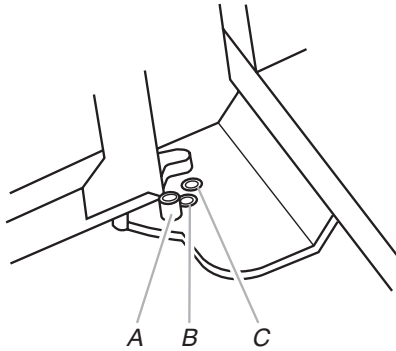
1. Check that the refrigerator door can open freely. If the door opens too wide, remove the door stop screw from the bottom hinge with a Torx<sup>†</sup> T15 screwdriver.



A. Door stop screw

2. Hold the door open to a position that is less than 90°.
3. Replace the door stop screw in the bottom hinge and tighten.

**IMPORTANT:** Do not place the door stop screw in the 130° position on Overlay Series models. See "Handle and Door Clearances."



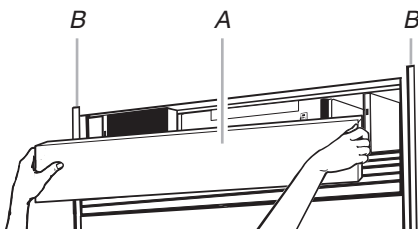
A. 130°

C. 90°

B. 110° (Overlay series) screw

### 42" (106.7 cm) Models

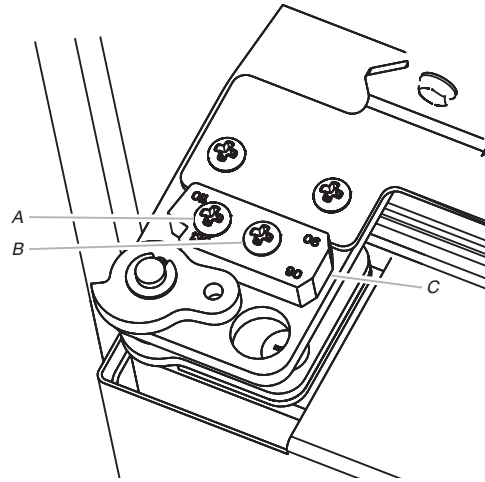
1. Check that the refrigerator door can open freely. If the door opens too wide, you will have to adjust the door stop position.
2. Grasp both ends of the top grille.
3. Push the top grille straight up, then pull straight out. Lay the grille on a soft surface.



A. Top grille

B. Cabinet side trims

4. The door stop is located on the top hinge.



A. Door stop screw "A" C. Door stop

B. Door stop screw "B"

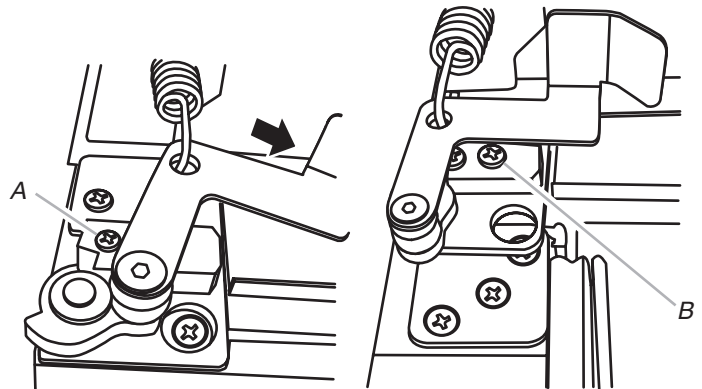
5. Remove the two door stop screws.

- To remove the outer screw ("A"):

With the door closed, firmly press the L-shaped bracket toward the center of the refrigerator until the screw is exposed.

- To remove the inner screw ("B"):

Open the door 90° and the L-shaped bracket will expose the screw.

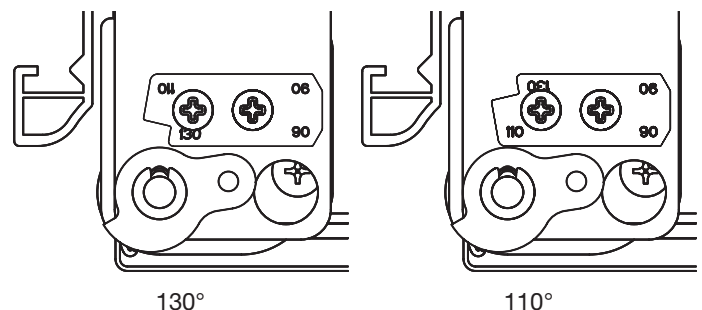


A. Door stop screw "A"

B. Door stop screw "B"

6. Reverse or rotate the door stop to the desired position as shown below.

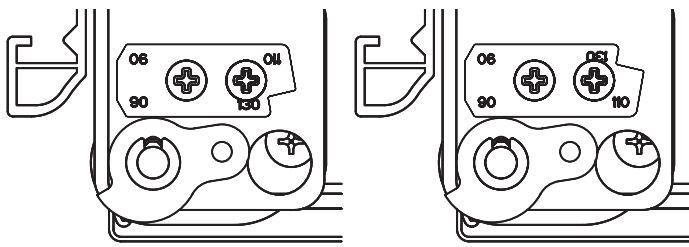
**NOTE:** For Overlay Series models, rout the hinge side of the custom door panels to a radius that is equal to at least half the thickness of the panel if a 130° door swing is desired.



130°

110°





90° 90°  
Left-hand as shown; Right-hand reversed

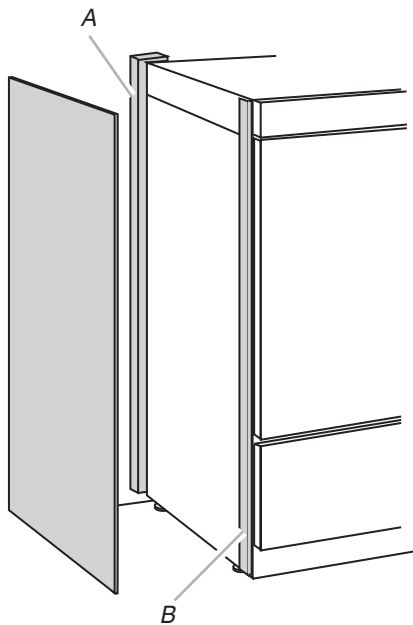
7. Replace the door stop screws and tighten.
8. Check that the door can open freely.

## Install Side Panel

If the built-in area depth is 25" (63.5 cm) or more, the side panels can be installed inside the side trim or attached to the outside of the side trim.

**IMPORTANT:** KitchenAid is not responsible for the removal or addition of molding or decorative panels that would not allow access to the refrigerator for service.

1. For the inside side trim piece, slide the front edge of the routed side panel into the trim piece.
2. Nail the rear edge of the panel to the support board.



A. Support board  
B. Side trim piece

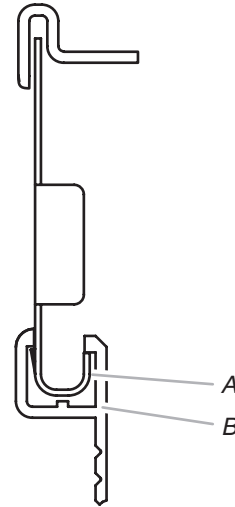
## Install Base Grille

There are two pieces to the base grille to allow for a custom fit: the base grille itself and the skirt. The skirt can be added to the base grille in order to extend it all the way to the floor.

1. To see whether the skirt is needed, place the base grille into position. Do not attach the base grille to the refrigerator. Measure the distance between the bottom of the base grille and the floor. The gap must be a minimum of 1/2" (1.27 cm) in order to add the skirt.

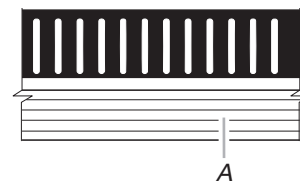
**NOTE:** If the gap measures less than 1/2" (1.27 cm), skip steps 3 and 4 of the instructions, and install the base grille only.

2. Remove the film from the base grille.
3. Snap the skirt onto the base grille.



A. Base grille  
B. Skirt

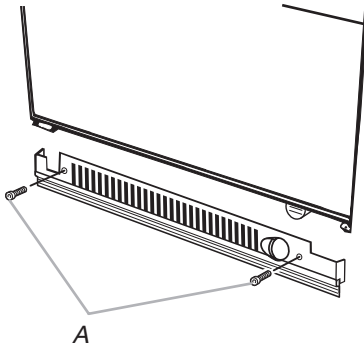
4. Trim the skirt by scoring the proper "V" groove with a utility knife. Break the skirt at the score line.



A. "V" groove

- Using the two screws, attach the base grille assembly to the refrigerator as shown.

**NOTE:** Drive in the right side screw first.



A. Screws (2)

---

## Complete Installation

- Turn the water supply line valve to the “Open” position.
- Turn the refrigerator switch to the ON position. See “Power On/Off Switch” in the Use & Care Guide for instructions. Wait a few minutes. Check the water line connections for leaks.
- Remove all boxes, parts packages and packing materials from the interior of the refrigerator. See the “Cleaning” section in the Use & Care Guide for instructions. Remove the film and cardboard from the grille and doors or door frame, depending on your model.
- Install the shelves and bins in the refrigerator and freezer compartments.
- The controls are preset at the factory to the midpoint setting. Make sure the compressor is operating properly and that all the lights are working.
- If construction will continue after the refrigerator has been installed, set the controls to OFF.

To get the most efficient use from your new built-in refrigerator, read the Use & Care Guide. Keep Installation Instructions and Use & Care Guide near the built-in refrigerator for easy reference.

# SÉCURITÉ DU RÉFRIGÉRATEUR

## Votre sécurité et celle des autres est très importante.

Nous donnons de nombreux messages de sécurité importants dans ce manuel et sur votre appareil ménager. Assurez-vous de toujours lire tous les messages de sécurité et de vous y conformer.



Voici le symbole d'alerte de sécurité.

Ce symbole d'alerte de sécurité vous signale les dangers potentiels de décès et de blessures graves à vous et à d'autres.

Tous les messages de sécurité suivront le symbole d'alerte de sécurité et le mot "DANGER" ou "AVERTISSEMENT". Ces mots signifient :

**! DANGER**

**Risque possible de décès ou de blessure grave si vous ne suivez pas immédiatement les instructions.**

**! AVERTISSEMENT**

**Risque possible de décès ou de blessure grave si vous ne suivez pas les instructions.**

Tous les messages de sécurité vous diront quel est le danger potentiel et vous disent comment réduire le risque de blessure et ce qui peut se produire en cas de non-respect des instructions.

**! AVERTISSEMENT**



### Risque de basculement

**Le réfrigérateur est lourd au sommet et bascule facilement lorsqu'il n'est pas complètement installé.**

**Garder les portes fermées avec un ruban adhésif jusqu'à l'installation complète du réfrigérateur.**

**Utiliser deux ou plus de personnes pour déplacer et installer le réfrigérateur.**

**Le non-respect de ces instructions peut causer un décès ou une blessure grave.**

## MODÈLES



### Série en acier inoxydable (modèles 36" [91,4 cm])

Se caractérise par un style enveloppant qui complète les poignées de porte galbées. Cette série procure un réfrigérateur encastré d'apparence commerciale.

KBBL206ESS, KBBL306ESS, KBBR206ESS, KBBR306ESS



### Série en acier inoxydable (modèles 36" [91,4 cm])

Se caractérise par un style enveloppant qui complète les poignées de porte galbées. Cette série procure un réfrigérateur encastré d'apparence commerciale.

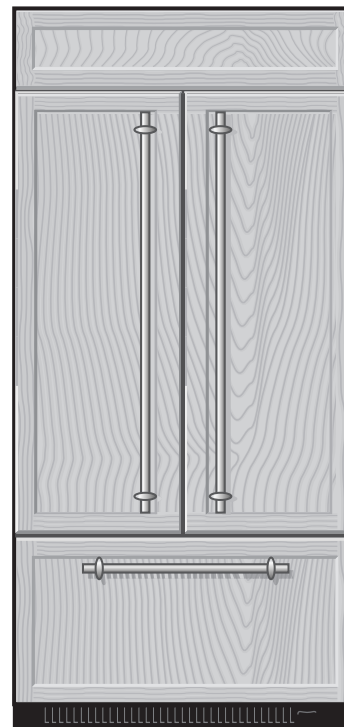
KBFN406ESS et KBFN506ESS



### Série Overlay (modèles 36" [91,4 cm])

Se caractérise par des garnitures d'origine de style décoratif procurant un aspect "sans cadre". Cette série nécessite l'installation de panneaux, poignées et supports personnalisés.

KBBL206EPA, KBBL306EPA, KBBR206EPA, KBBR306EPA



### Série Overlay (modèles 36" [91,4 cm])

Se caractérise par des garnitures d'origine de style décoratif procurant un aspect "sans cadre". Cette série nécessite l'installation de panneaux, poignées et supports personnalisés.

KBFN406EPA et KBFN506EPA



#### Série en acier inoxydable (modèles 42" [106.7 cm])

Se caractérise par un style enveloppant qui complète les poignées de porte galbées. Cette série procure un réfrigérateur encastré d'apparence commerciale.

KBFN402ESS et KBFN502ESS

#### Série en acier inoxydable noir (modèles 42" [106.7 cm])

KBFN502EBS

#### Série Overlay (modèles 42" [106.7 cm])

Se caractérise par des garnitures d'origine de style décoratif procurant un aspect "sans cadre". Cette série nécessite l'installation de panneaux, poignées et supports personnalisés.

KBFN402EPA et KBFN502EPA

## EXIGENCES D'INSTALLATION

### Outils et pièces

#### IMPORTANT :

- Installateur : Remettre les instructions d'installation au propriétaire.
- Propriétaire : Conserver les instructions d'installation pour référence ultérieure. Conserver ces instructions d'installation pour consultation par l'inspecteur local des installations électriques.

#### Outils nécessaires

Rassembler les outils et pièces nécessaires avant d'entreprendre l'installation. Lire et observer les instructions fournies avec chacun des outils de la liste ci-dessous.

- |                                 |  |
|---------------------------------|--|
| ■ Perceuse sans fil             | ■ Tournevis Torx <sup>†</sup> T15 et T27 |
| ■ Forets                        | ■ Tourne-écrou de 11/32"                 |
| ■ Clés à molette (2)            | ■ Clés à fourche 3/8", 1/4" et 1/2"      |
| ■ Tournevis à tête cruciforme   | ■ Clé hexagonale de 5/32"                |
| ■ Petit niveau                  | ■ Tournevis à douille de 1/4" et 5/16"   |
| ■ Chariot pour appareil ménager | ■ Ruban à mesurer                        |
|                                 | ■ Couteau utilitaire                     |

#### Pièces nécessaires

- Vis à bois n° 8 x 3" (7,6 cm) (il peut être nécessaire d'utiliser des vis plus longues) (6)
- Planche(s) de bois de 2" x 4" x 32" (5 cm x 10 cm x 81 cm) (1 ou 2)
- Réaliser des panneaux personnalisés ou consulter un ébéniste ou un menuisier qualifié pour la réalisation de panneaux.  
Série Overlay : Réaliser des panneaux personnalisés ou consulter un ébéniste ou un menuisier qualifié pour la réalisation de panneaux. Voir les "Exigences d'installation" pour plus de renseignements.  
Les séries en acier inoxydable argent et en acier inoxydable noir sont livrées complètes.
- Dans le cas d'un raccordement direct de la canalisation d'eau au tube de cuivre et non à un robinet d'arrêt, on doit disposer d'un raccord à compression de 1/4" avec virole et raccord union.

<sup>†</sup>TORX est une marque déposée d'Acument Intellectual Properties, LLC.

## Exigences d'emplacement

Le réfrigérateur peut être encastré dans une ouverture entre les armoires ou installé à l'extrémité d'une enfilade d'armoires en utilisant un panneau latéral pour encadrer le réfrigérateur.

**⚠ AVERTISSEMENT**



**Risque d'explosion**

**Garder les matériaux et les vapeurs inflammables, telle que l'essence, loin du réfrigérateur.**

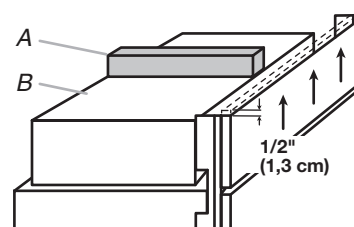
**Le non-respect de cette instruction peut causer un décès, une explosion ou un incendie.**

**IMPORTANT :** Cet appareil est destiné à un usage domestique et à d'autres usages similaires comme :

- Espace de cuisine pour personnel de boutiques, bureaux et autres environnements professionnels.
- Résidences fermières et utilisation par les clients d'hôtels, de motels et d'autres types de résidences.
- Environnements de type chambres d'hôtes.
- Banquets et autres utilisations non commerciales semblables.
- Observer les dispositions de tous les codes et règlements en vigueur.
- Il est conseillé de ne pas installer le réfrigérateur près d'un four, d'un radiateur ou de toute autre source de chaleur.
- Ne pas installer l'appareil dans un endroit où la température pourrait descendre sous 55 °F (13 °C).
- Le plancher doit pouvoir supporter le poids du réfrigérateur, soit plus de 600 lb (272 kg) incluant les panneaux de porte et le contenu du réfrigérateur.
- La hauteur libre sous plafond doit être suffisante pour permettre le basculement de chaque côté. Voir "Rayon de basculement" plus loin dans cette section.
- L'emplacement doit permettre l'ouverture complète de la porte. Voir "Dimensions pour le pivotement des portes".
- L'emplacement d'installation doit permettre la dépose de la grille supérieure. Voir "Dimensions de l'ouverture d'encastrement".

## Dimensions de l'ouverture

- Pour éviter le basculement pendant l'utilisation, le soffite massif doit se trouver à 1" (2,5 cm) maximum au-dessus du réfrigérateur. Si le soffite massif se trouve à plus de 1" (2,5 cm) ou si un soffite n'est pas disponible, le réfrigérateur doit être arrimé.  
Si des planches antibasculement sont nécessaires, ils doivent être installés sur les montants du mur arrière de sorte que le bas du poteau antibasculement se trouve à 84" (213,4 cm) du sol. Voir "Installation des planches antibasculement" pour plus d'informations.
- REMARQUES :**
  - Un dégagement de 1/2" (1,3 cm) doit être maintenu au-dessus de la grille supérieure pour que la grille supérieure puisse être enlevée.
  - Ne pas retirer le joint en mousse sur le sommet du couvercle du compresseur sauf s'il est nécessaire de le retirer pour installer l'appareil sous un soffite. Retirer le joint peut affecter les performances de refroidissement.
  - Si l'appareil est installé sous un soffite massif, relever les pieds de nivellement après l'installation pour que le joint soit solidement appuyé contre le soffite.



A. Joint d'étanchéité  
B. Couvercle du compresseur

- Une prise électrique à trois broches avec mise à la terre doit être placée à moins de 4" (10,2 cm) des armoires de droite ou du panneau d'extrémité de droite. Voir la section "Spécifications électriques" pour plus de renseignements.
- Le robinet d'arrêt d'eau doit être situé dans l'armoire inférieure d'un côté ou l'autre du réfrigérateur, ou à un autre endroit facilement accessible. Si le robinet d'arrêt de la canalisation d'eau n'est pas installé dans une armoire adjacente, la canalisation d'eau peut parvenir au réfrigérateur à travers le plancher ou le mur arrière. Voir la section "Exigences de l'alimentation en eau" pour plus de renseignements spécifiques.

## Spécifications électriques

### ⚠️ AVERTISSEMENT



#### Risque de choc électrique

- Brancher sur une prise à 3 alvéoles reliée à la terre.**
- Ne pas enlever la broche de liaison à la terre.**
- Ne pas utiliser un adaptateur.**
- Ne pas utiliser un câble de rallonge.**
- Le non-respect de ces instructions peut causer un décès, un incendie ou un choc électrique.**

Avant de placer le réfrigérateur à son emplacement final, il est important de s'assurer d'avoir le raccordement électrique approprié.

Si le cordon d'alimentation est endommagé, il doit être remplacé par le fabricant, son agent de service ou toute autre personne également qualifiée. Ne pas utiliser un cordon craquelé ou qui présente des dommages d'abrasion sur la gaine, la fiche ou l'extrémité de connexion.

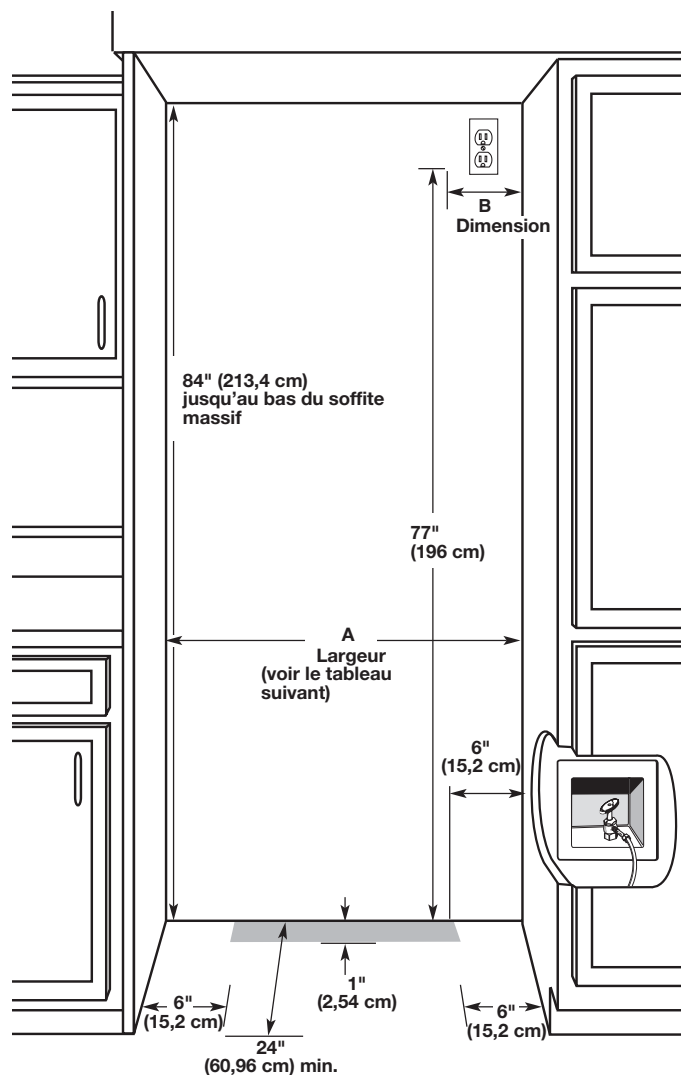
#### Méthode recommandée de liaison à la terre

Chaque appareil doit être alimenté par un circuit à 115 V CA à 60 Hz relié à la terre et protégé par un fusible de 15 A ou 20 A. Il est recommandé d'utiliser un circuit distinct pour alimenter le réfrigérateur uniquement. Utiliser une prise de courant dont l'alimentation ne peut pas être interrompue par un interrupteur. Ne pas utiliser de rallonge.

**IMPORTANT :** Si ce produit est connecté à une prise protégée par un disjoncteur de fuite à la terre, un déclenchement intempestif peut se produire et causer une perte de refroidissement. La qualité et la saveur des aliments risquent d'être affectées. Si un déclenchement intempestif se produit et si les aliments semblent de piètre qualité, jeter le tout.

**REMARQUE :** Avant d'exécuter tout type d'installation ou de nettoyage, retirer la grille supérieure et mettre l'interrupteur général d'alimentation à OFF (arrêt) ou déconnecter le courant au boîtier de disjoncteurs.

Lorsque vous avez terminé, mettre l'interrupteur général d'alimentation à ON (marche) ou rétablir le courant au boîtier de disjoncteurs. Puis placer de nouveau la commande au réglage désiré.



Modèle	Largeur A (telle qu'indiquée ci-dessus)	Dimension B (telle qu'indiquée ci-dessus)
36"	35½" à 35¾" (90,2 cm à 90,8 cm)	4" (10,2 cm)
42"	41½" à 41¾" (105,4 cm à 106 cm)	7½" (19 cm)

**REMARQUE :** Le revêtement de sol sous le réfrigérateur doit se trouver au même niveau que le sol de la pièce.

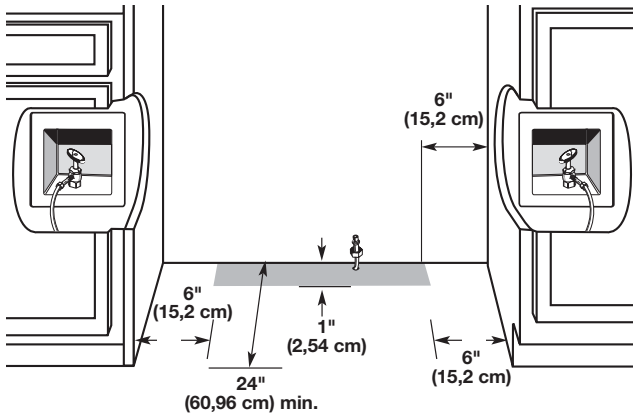
## Spécifications de l'alimentation en eau

- Toutes les installations doivent être conformes aux exigences des codes locaux de plomberie.
- Brancher sur une alimentation en eau potable uniquement.

Ne pas utiliser pour le filtrage d'une eau microbiologiquement polluée ou de qualité inconnue en l'absence d'un dispositif de désinfection adéquat avant ou après le système. Les systèmes certifiés pour la réduction de kyste peuvent être utilisés pour l'eau désinfectée qui peut contenir des kystes filtrables.

- Le robinet d'arrêt d'eau doit être situé dans l'armoire inférieure d'un côté ou l'autre du réfrigérateur, ou à un autre endroit facilement accessible. Le côté droit est recommandé. Le trou d'accès à travers l'armoire doit se trouver à moins de 1/2" (1,3 cm) du mur arrière.

**REMARQUE :** Si le robinet d'arrêt d'eau se trouve dans la paroi arrière derrière le réfrigérateur, il doit être incliné afin que le tube ne soit pas plié lorsque le réfrigérateur est poussé à son emplacement final.



- Si le robinet d'arrêt ne se trouve pas dans les armoires, la plomberie d'arrivée d'eau peut provenir du plancher. Un trou de 1/2" (12,7 mm) pour la plomberie doit être percé à 6" (15,2 cm) minimum de l'armoire de gauche ou de droite ou du panneau. Sur le plancher, le trou ne doit pas se trouver à plus de 1" (2,54 cm) du mur arrière. Voir "Raccordement de la canalisation d'eau."
- Si un tube supplémentaire est nécessaire, utiliser un tube en cuivre et vérifier s'il y a des fuites. Installer les tuyaux en cuivre seulement là où les températures domestiques resteront au-dessus du point de congélation.
- Ne pas employer de robinet d'arrêt à étrier de 3/16" (4,76 mm) ou de type à percer – ils réduisent le débit d'eau et s'obstruent plus facilement.

**REMARQUE :** Votre marchand de réfrigérateurs propose une trousse avec un robinet d'arrêt à étrier de 1/4" (6,35 mm), un raccord et un tube en cuivre. Avant de faire un achat, s'assurer que le robinet d'arrêt à étrier est conforme aux codes locaux de plomberie.

### Pression d'eau

Une alimentation en eau froide avec une pression entre 30 et 120 lb/po<sup>2</sup> (207 et 827 kPa) est nécessaire pour faire fonctionner le distributeur d'eau et la machine à glaçons.

**REMARQUE :** Si la pression en eau est inférieure aux critères minimaux, le débit du distributeur d'eau pourrait diminuer ou entraîner la formation de glaçons creux ou de forme irrégulière. Pour toute question au sujet de la pression de l'eau, faire appel à un plombier qualifié agréé.

### Alimentation en eau par osmose inverse

**IMPORTANT :** La pression de l'alimentation en eau entre le système d'osmose inverse et le robinet d'arrivée d'eau du réfrigérateur doit être entre 30 et 120 lb/po<sup>2</sup> (207 et 827 kPa).

Si un système de filtration de l'eau par osmose inverse est raccordé à l'alimentation en eau froide, la pression de l'eau au système doit être d'un minimum de 40 à 60 lb/po<sup>2</sup> (276 à 414 kPa).

Si la pression d'eau au système de filtration par osmose inverse est inférieure à 40 - 60 lb/po<sup>2</sup> (276 - 414 kPa) :

- Vérifier que le filtre à sédiment dans le système à osmose inverse n'est pas obstrué. Remplacer le filtre si nécessaire.
- Laisser le réservoir du système d'osmose inverse se remplir après une utilisation intense.

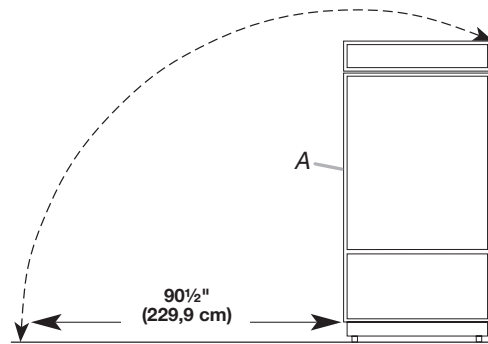
- Si votre réfrigérateur a une cartouche de filtre d'eau, celle-ci peut réduire la pression de l'eau lorsqu'elle est utilisée avec un système d'osmose inverse. Enlever la cartouche de filtre à eau. Pour toute question au sujet de la pression de l'eau, faire appel à un plombier qualifié agréé.

## Rayon de basculement

S'assurer que la hauteur du plafond est suffisante pour mettre le réfrigérateur en position verticale lorsqu'il est mis dans son emplacement.

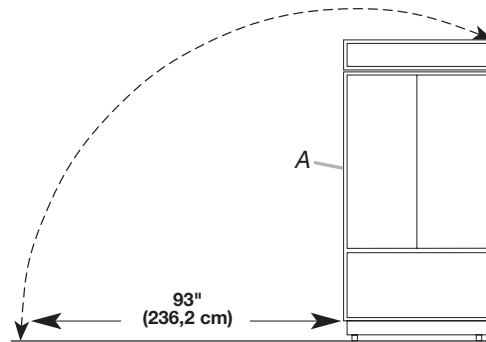
- Si le réfrigérateur est installé sur un chariot, on doit ajouter la hauteur des roues du chariot au rayon de basculement.
- Si nécessaire, on peut réduire le rayon de basculement. Voir la section "Réduction du rayon de basculement".

### Rayon de basculement latéral (modèles 36" [91,4 cm])



A. Incliner ce côté seulement.

### Rayon de basculement latéral (modèles 42" [106,7 cm])



A. Incliner ce côté seulement.

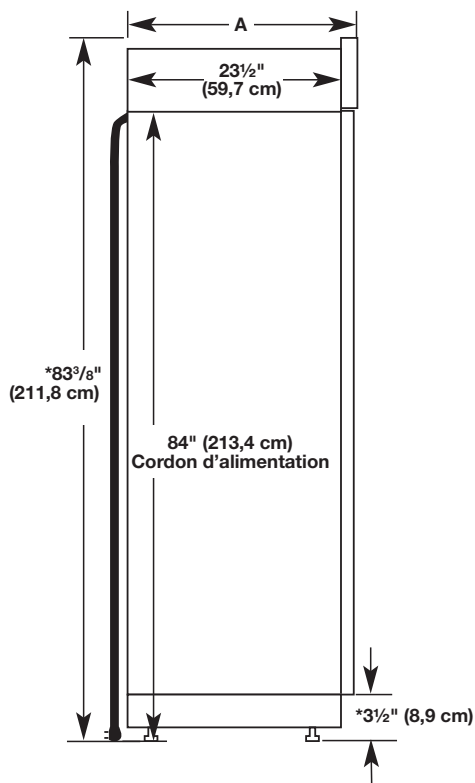
## Dimensions du produit

### Vue latérale

- La profondeur de l'avant de la grille supérieure à l'arrière de la caisse du réfrigérateur est de 25 3/8" (64,5 cm).
- La longueur du cordon d'alimentation est de 84" (213 cm).



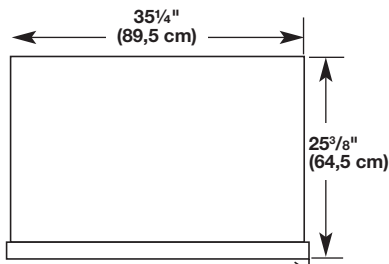
- Les dimensions de hauteur indiquées correspondent à la situation où les pieds de nivellement déployés dépassent de 1/8" (3 mm) au-dessous des roulettes.



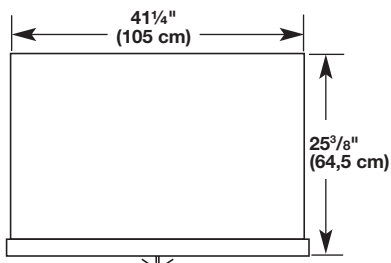
\*Lorsque les pieds de nivellement sont totalement déployés de 1 1/4" (3,2 cm) au-dessous des roulettes, ajouter 1 1/8" (2,9 cm) à la hauteur totale.

### Vue de dessus

#### Modèles de 36" (91,4 cm)



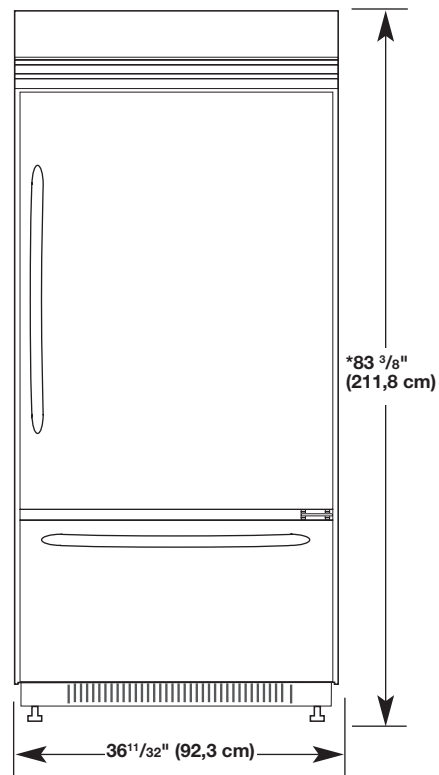
#### Modèles de 42" (106,7 cm)



### Vue de face

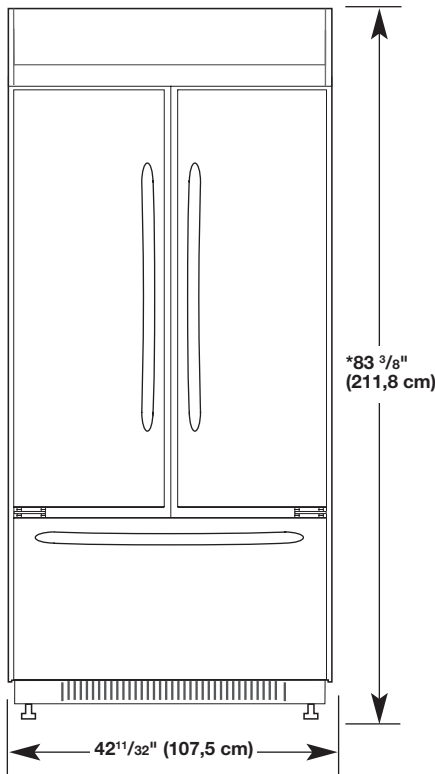
- Les dimensions de largeur ont été mesurées d'un bord à l'autre de la garniture extérieure à garniture extérieure.
- Les dimensions de hauteur indiquées correspondent à la situation où les pieds de nivellement déployés dépassent de 1/8" (3 mm) au-dessous des roulettes.

#### Modèles de 36" (91,4 cm)



\*Lorsque les pieds de nivellement sont totalement déployés de 1 1/4" (3,2 cm) au-dessous des roulettes, ajouter 1 1/8" (2,9 cm) à la hauteur totale.

**Modèles de 42" (106,7 cm)**



\*Lorsque les pieds de nivellement sont totalement déployés de 1 1/4" (3.2 cm) au-dessous des roulettes, ajouter 1 1/8" (2,9 cm) à la hauteur totale.

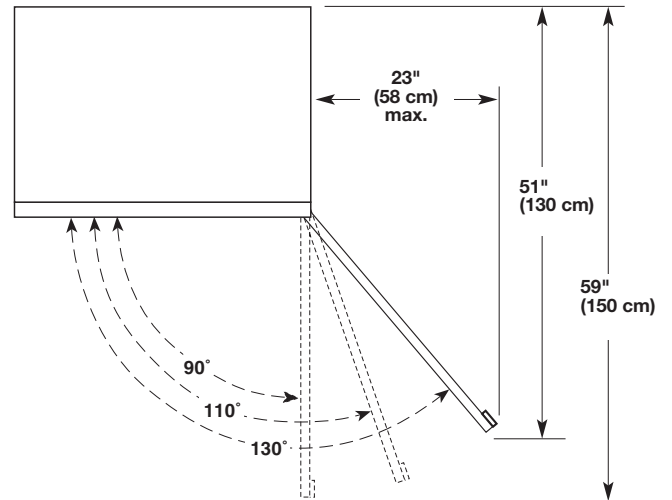
**Dimensions pour l'ouverture des portes**

L'emplacement d'installation doit permettre l'ouverture de la porte à un angle minimal de 90°. Laisser un espace libre d'au moins 5" (12,7 cm) entre le côté du réfrigérateur et un mur d'angle.

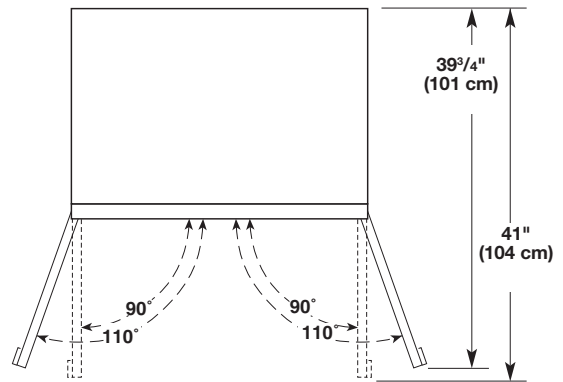
**REMARQUE :** L'épaisseur nécessaire pour tous les panneaux est de 3/4" (1,91 cm). Un dégagement plus grand peut être nécessaire si vous utilisez des panneaux décoratifs ou des poignées personnalisées.

Pour ajuster l'ouverture des portes, voir la section "Ajustement de l'ouverture de la porte".

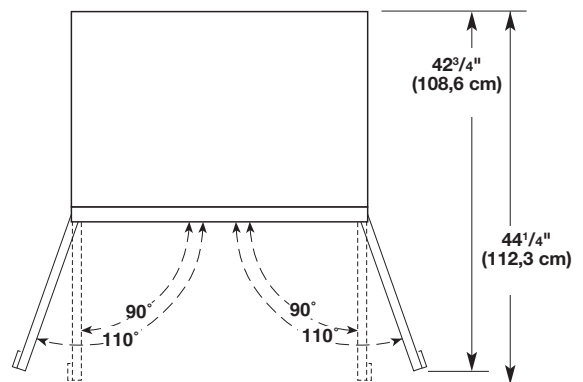
**Modèles de porte simple de 36" (91,4 cm)**



**Modèles de porte à double battant de 36" (91,4 cm)**

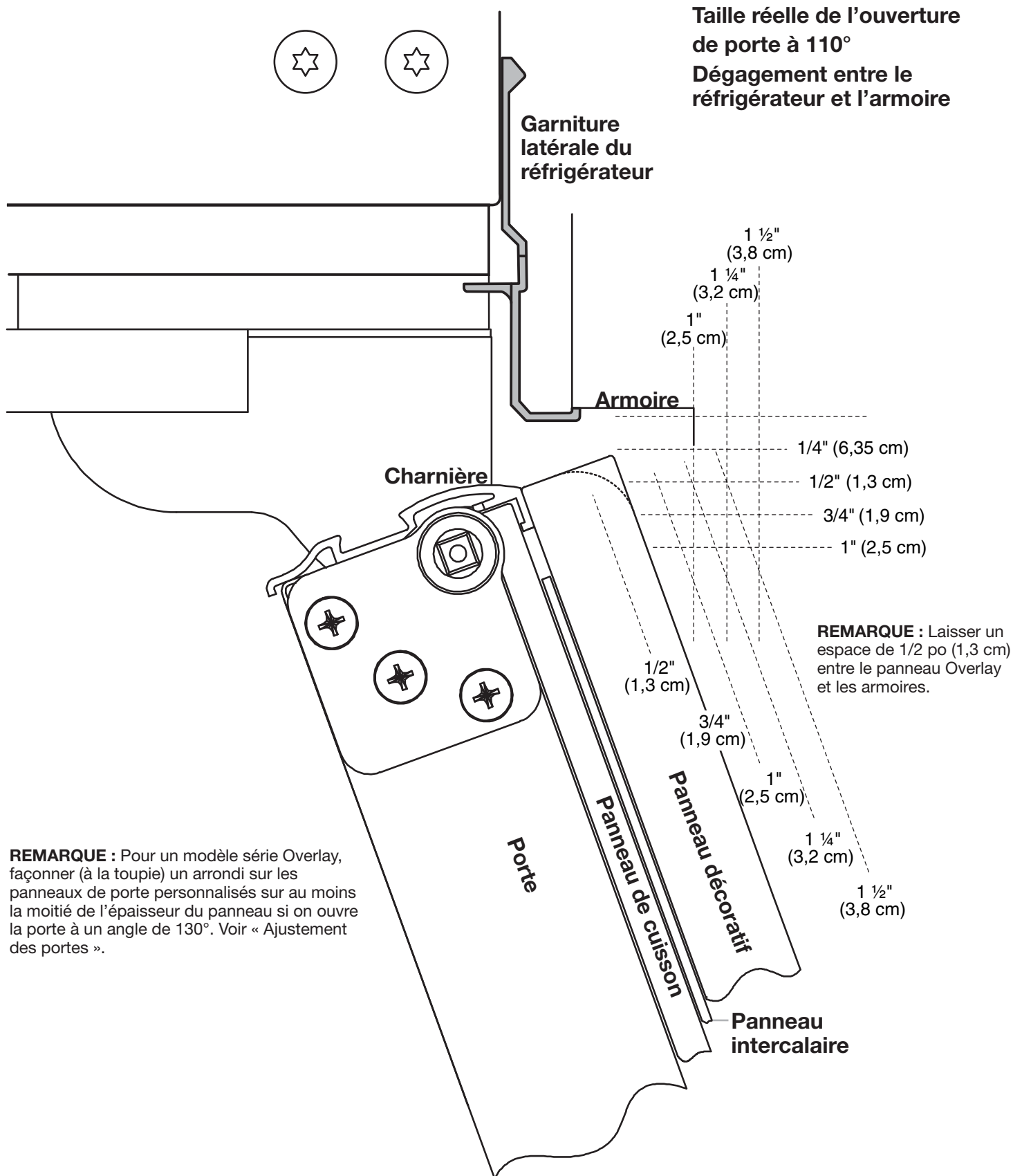


**Modèles de porte à double battant de 42" (106,7 cm)**

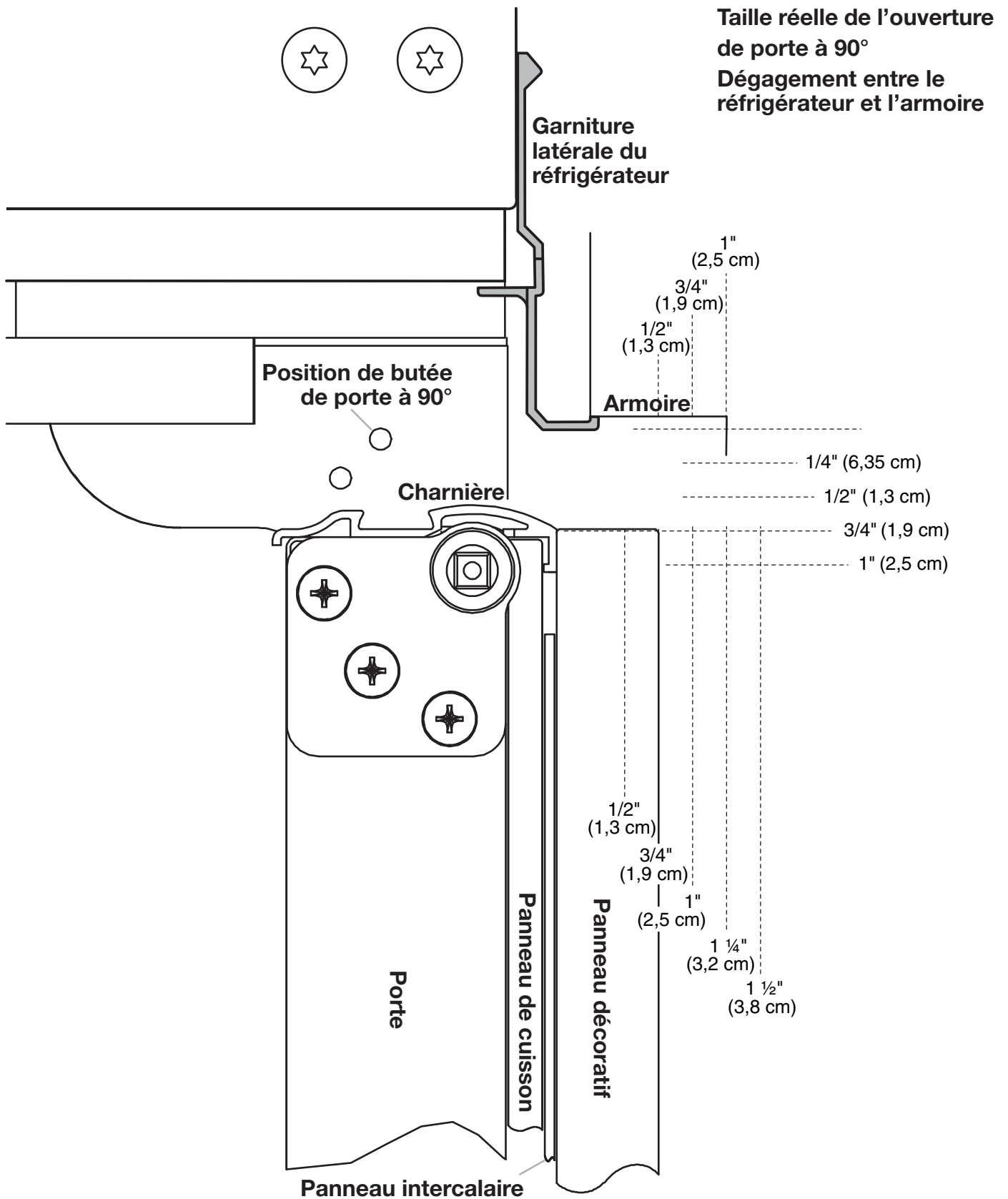


## Dégagement des panneaux de porte de série Overlay et des armoires

Les panneaux de porte personnalisés et les armoires adjacentes doivent être conçus de manière à laisser un espace suffisant pour permettre l'ouverture des portes. Si le réfrigérateur doit être installé près du mur, voir « Ouverture de la porte à 90° » à la page suivante.



Lorsque les portes sont fermées, le réfrigérateur s'étendra dans une certaine mesure au-delà des armoires adjacentes.

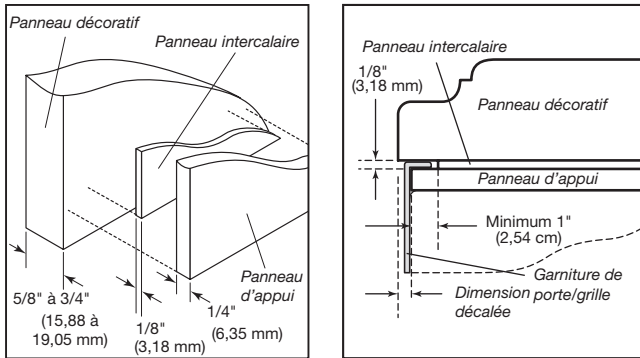


Laisser un espace libre d'au moins 5 po (12,7 cm) entre le côté du réfrigérateur et un mur d'angle. Un dégagement plus important peut être nécessaire si des panneaux personnalisés plus épais ou des poignées personnalisées sont utilisés. Ne pas négliger les plinthes.

## Panneaux personnalisés de série Overlay

Les panneaux personnalisés permettent d'harmoniser l'extérieur du réfrigérateur avec l'ensemble du décor de la cuisine et d'utiliser des poignées personnalisées pour une plus grande souplesse de design.

Les panneaux personnalisés doivent être munis de panneaux d'appui pour pouvoir être installés sur le réfrigérateur. Il est habituel de travailler avec trois panneaux, comme indiqué dans l'illustration suivante : un panneau décoratif Overlay, un panneau ou des tringles d'espacement de 1/8" (3,18 mm) et un panneau d'appui de 1/4" (6,35 mm).



Dans certains cas, le fabricant des armoires peut préférer travailler avec un seul panneau usiné pour différentes dimensions. Suivre les instructions relatives aux dimensions et au placement du panneau pour s'assurer que les panneaux décoratifs personnalisés conviendront parfaitement.

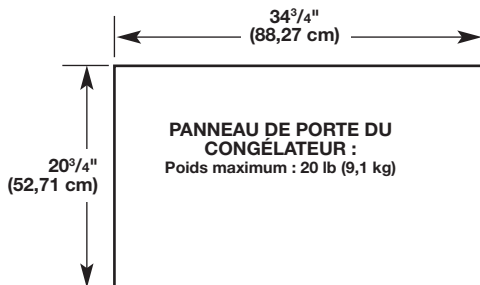
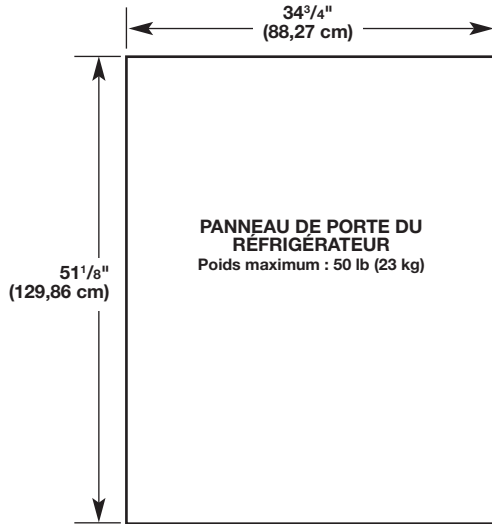
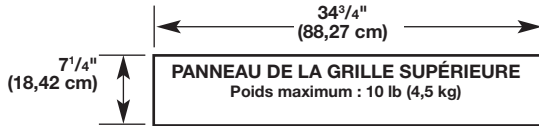
### IMPORTANT :

- Pour les modèles de porte simple de 36" (91,4 cm), le panneau décoratif de la porte du réfrigérateur ne doit pas excéder 50 lb (23 kg) et le panneau décoratif du tiroir du congélateur ne doit pas excéder 20 lb (9,1 kg).
- Pour les modèles de porte à double battant de 36" (91,4 cm) et 42" (106,7 cm), le panneau décoratif de la porte du réfrigérateur ne doit pas excéder 30 lb (13,5 kg) et le panneau décoratif du tiroir du congélateur ne doit pas excéder 25 lb (11,4 kg).
- Pour les deux modèles, le poids du panneau décoratif de la grille supérieure ne doit pas excéder 10 lb (4,5 kg).

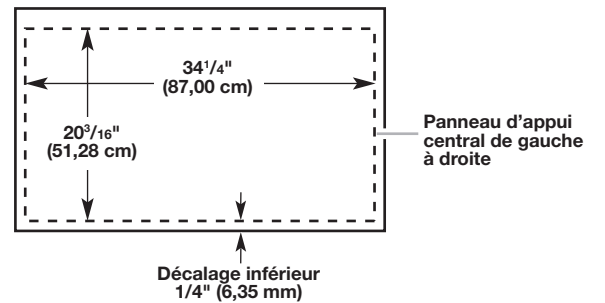
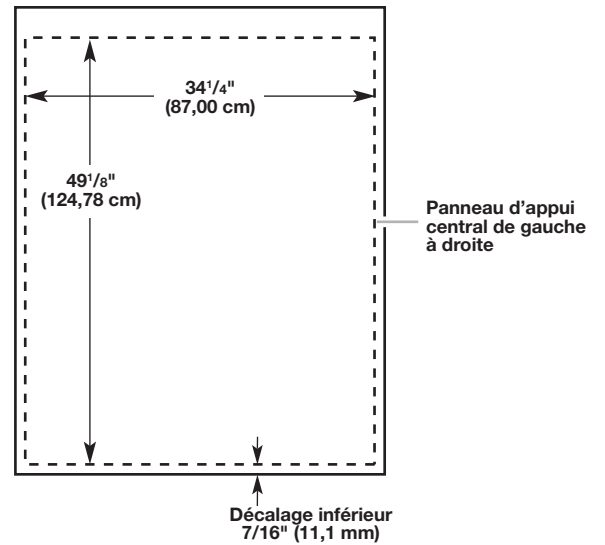
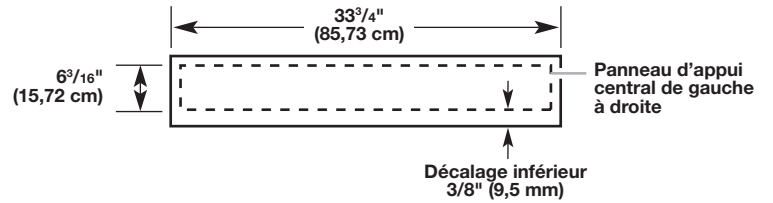
Pour minimiser le poids du panneau, vous pouvez utiliser des tringles d'espacement de 2" (5,08 cm) sur le périmètre à la place de panneaux d'espacement massifs de pleine largeur. Les tringles d'espacement doivent être installées à au moins 1" (2,54 cm) des rives supérieure, inférieure et latérales du panneau d'appui. Si on utilise des tringles d'espacement, il est aussi recommandé d'utiliser deux tringles de 2" (5,08 cm) centrées horizontalement pour un soutien supplémentaire.

## Dimensions des panneaux personnalisés

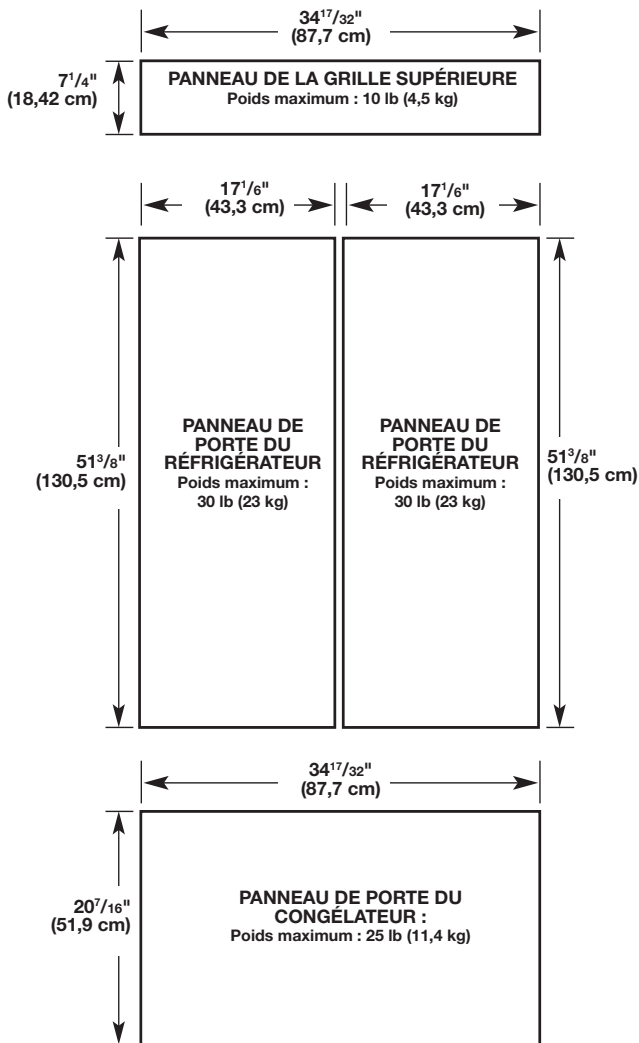
### Panneaux décoratifs personnalisés (modèles de porte simple de 36" [91,4 cm])



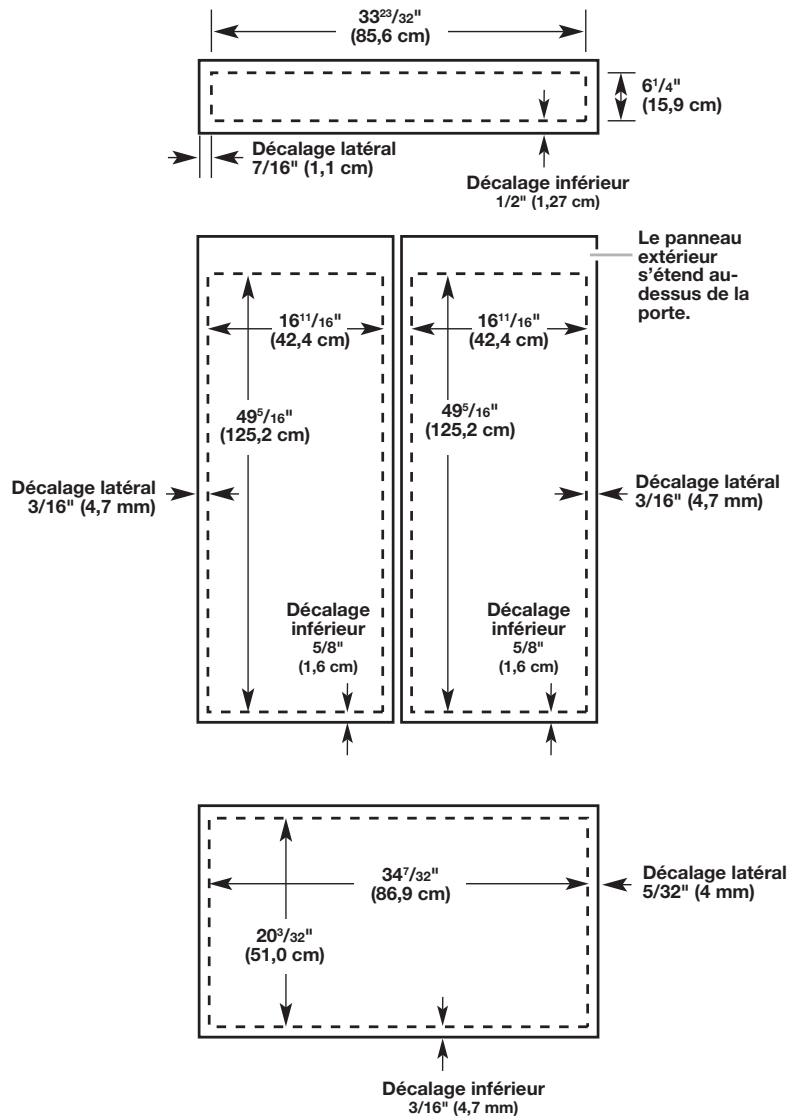
### Panneaux de soutien personnalisés (Modèles de porte simple de 36" [91,4 cm])



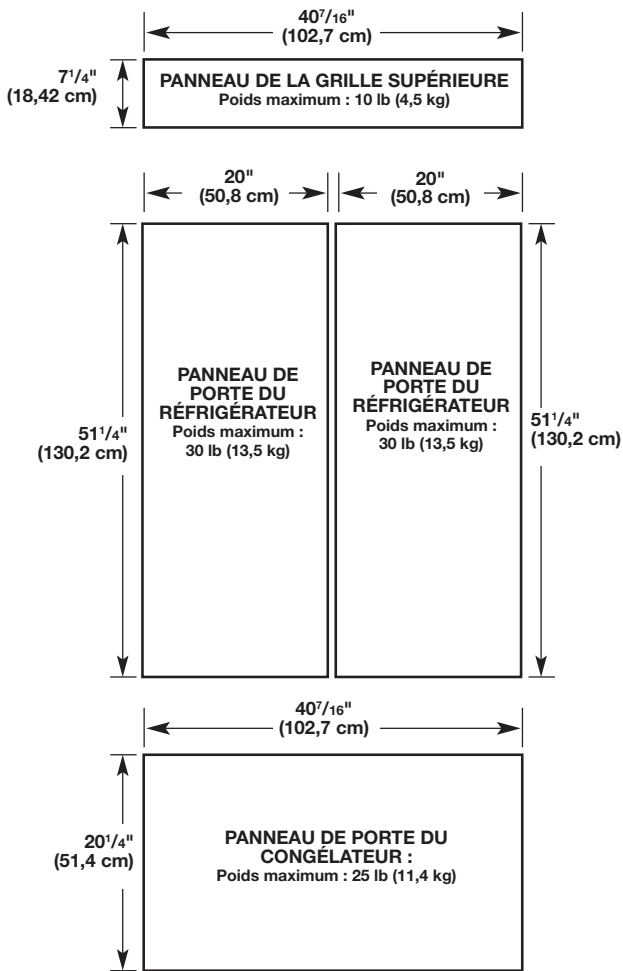
**Panneaux décoratifs personnalisés**  
(modèles de porte simple de 36" [91,4 cm])



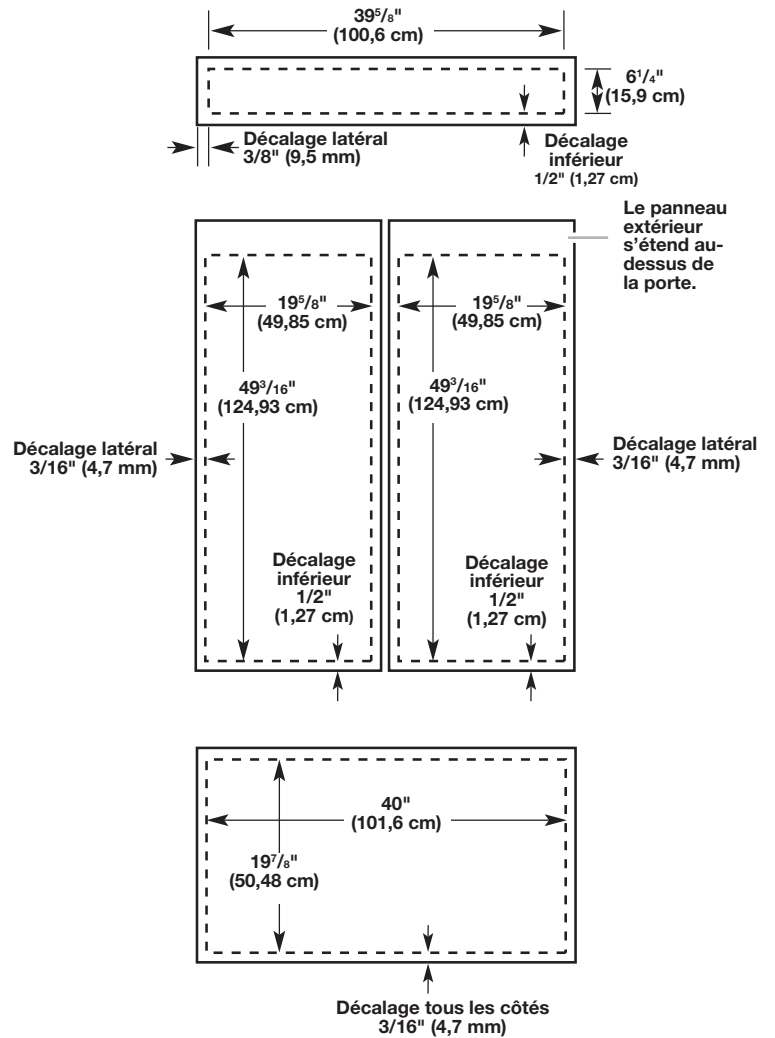
**Panneaux de soutien personnalisés**  
(modèles de porte simple de 36" [91,4 cm])



**Panneaux décoratifs personnalisés (modèles de porte à double battant de 42" [106,7 cm])**



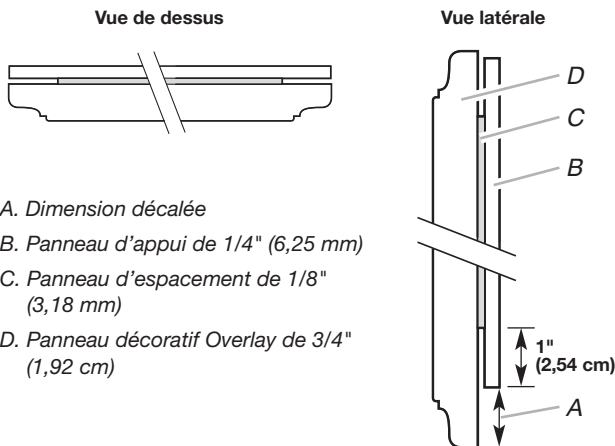
**Panneaux d'appui personnalisés (modèles de porte à double battant de 42" [106,7 cm])**



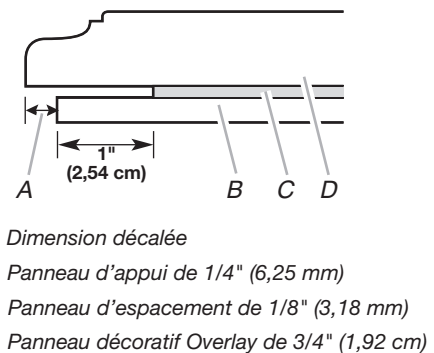
**Panneaux d'espacement (tous les modèles)**

**REMARQUE :** Les rives d'un panneau de séparation doivent être situées à au moins 1" (2,54 cm) en retrait par rapport aux quatre rives du panneau d'appui.

**Configuration pour panneau Overlay, avec grille en 3 sections**



**Configuration pour panneau Overlay avec porte en 3 pièces**



**Configuration pour panneau Overlay monopièce**

Dans certains cas, le fabricant des armoires peut préférer travailler avec un seul panneau usiné pour différentes dimensions. Suivre les instructions relatives aux dimensions et au placement du panneau pour s'assurer que les panneaux décoratifs personnalisés conviendront parfaitement.



Les modèles de série Overlay et en acier inoxydable de 36" et 42" sont dotés de la même garniture latérale de caisse

Toutes les pièces d'origine sont disponibles par l'entremise de votre marchand KitchenAid ou en téléphonant à Pièces et accessoires KitchenAid au **1 800 442-9991**. Au Canada, composer le **1 800 807-6777**.

### Ensembles de poignées de porte de série Overlay

Le style de poignée suivant est disponible. Communiquer avec le revendeur KitchenAid ou composer le **1 800 442-9991** pour pièces et accessoires KitchenAid. Au Canada, composer le **1 800 807-6777**.



*Poignée moletée avec capuchons en chrome*

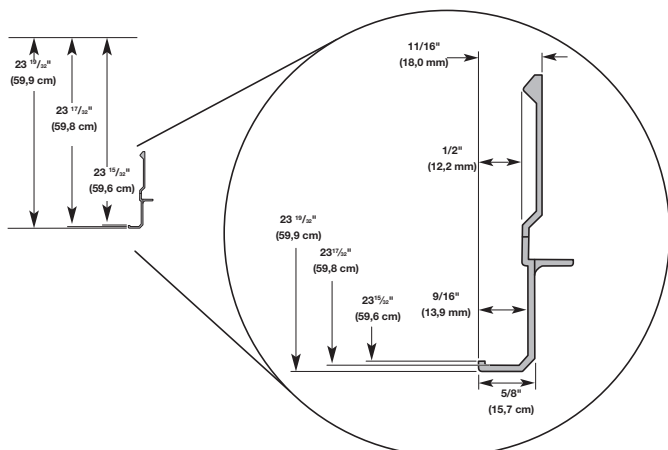
*W10782871 – Ensemble de poignées de montage inférieur pour porte à double battant W10782874 – Ensemble de poignées de montage inférieur pour deux portes*

### Dimensions du réfrigérateur et des garnitures latérales

La largeur et la hauteur du panneau latéral sont déterminées en fonction du type d'installation prévu.

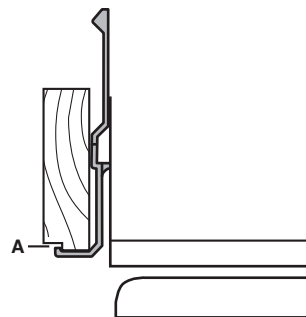
#### REMARQUES :

- Les dimensions indiquées sont les dimensions réelles du produit et ne peuvent pas refléter les dimensions nécessaires d'installation des panneaux.
- Le panneau latéral doit avoir une épaisseur minimale d'au moins 1/2" (1,27 cm) pour éviter le gauchissement.
- Si la profondeur de l'ouverture est de 25" (63,5 cm) ou plus, l'on peut souhaiter peut-être installer une planche d'appui sur le mur arrière.



### Dimensions d'installation – option 1

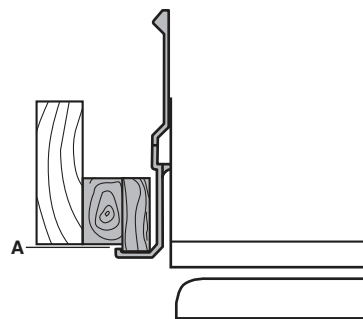
1. Mesurer la distance du point A (tel qu'illustré) à la paroi arrière. Ajouter 1/16" (1,6 mm) à cette mesure pour le que panneau latéral entre dans la garniture.



2. Si le panneau a plus de 11/32" (8,7 mm) d'épaisseur, usiner la rive avant du panneau latéral pour que l'insertion soit possible.

### Dimensions d'installation – option 2

1. Mesurer la distance du point A (tel qu'illustré) à la paroi arrière.



2. Usiner la rive avant de la planche d'appui ou installer une planchette de 11/32" (8,7 mm) pour la rétention du panneau dans la garniture latérale de la caisse.

# INSTRUCTIONS D'INSTALLATION

## Déballage du réfrigérateur

### **AVERTISSEMENT**



#### Risque de basculement

**Le réfrigérateur est lourd au sommet et bascule facilement lorsqu'il n'est pas complètement installé.**

**Garder les portes fermées avec un ruban adhésif jusqu'à l'installation complète du réfrigérateur.**

**Utiliser deux ou plus de personnes pour déplacer et installer le réfrigérateur.**

**Le non-respect de ces instructions peut causer un décès ou une blessure grave.**

#### IMPORTANT :

- Ne pas ôter la pellicule de couverture avant que le réfrigérateur ne se trouve à son emplacement d'utilisation.
- Les quatre roulettes doivent toucher le plancher pour supporter et stabiliser le poids total du réfrigérateur.
- Garder la pièce de carton ou de contreplaqué d'expédition sous le réfrigérateur jusqu'à son installation à l'emplacement final.

1. Retirer et conserver le sachet de documents fixé à l'aide de ruban adhésif sur le côté du réfrigérateur et le sachet de pièces derrière la grille. Enlever les quatre brides (deux de chaque côté) fixant la base utilisée pour l'expédition au bas du réfrigérateur.

**REMARQUE :** Ne pas enlever les rubans adhésifs et articles d'arrimage des portes avant que le réfrigérateur ne soit placé à son emplacement d'installation final.

2. Si nécessaire, réduire le rayon de basculement. Au sujet des critères à respecter pour la hauteur sous plafond, voir "Rayon de basculement", ou voir les instructions détaillées à la section "Réduction du rayon de basculement". S'il n'est pas nécessaire de réduire le rayon de basculement, passer à la section "Transporter le réfrigérateur dans la maison".

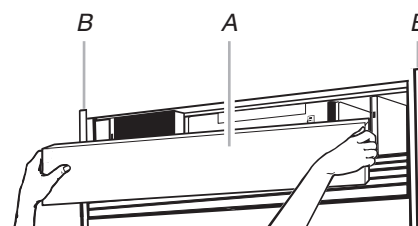
## Réduire le rayon de basculement (le cas échéant)

Avant d'apporter le réfrigérateur dans le domicile, s'assurer que la hauteur du plafond est suffisante pour mettre le réfrigérateur en position verticale. Voir "Rayon de basculement" dans la section "Exigences d'installation" pour plus d'information.

Si la hauteur du plafond n'est pas suffisante pour mettre le réfrigérateur debout, le rayon de basculement peut être réduit en enlevant la grille supérieure et les garnitures latérales (voir le tableau suivant).

Modèle	Rayon de basculement réduit
36"	89" (226,1 cm)
42"	90" (228,6 cm)

1. Saisir les deux extrémités de la grille supérieure.
2. Pousser la grille supérieure tout droit vers le haut ; puis tout droit vers l'extérieur. Placer la grille sur une surface protégée.



A. Grille supérieure

B. Garniture latérale de la caisse

3. Enlever les 6 vis fixant chaque garniture latérale de la caisse au réfrigérateur et enlever les garnitures latérales.

## Déplacement du réfrigérateur dans le domicile

### **AVERTISSEMENT**



#### Risque de basculement

**Le réfrigérateur est lourd au sommet et bascule facilement lorsqu'il n'est pas complètement installé.**

**Garder les portes fermées avec un ruban adhésif jusqu'à l'installation complète du réfrigérateur.**

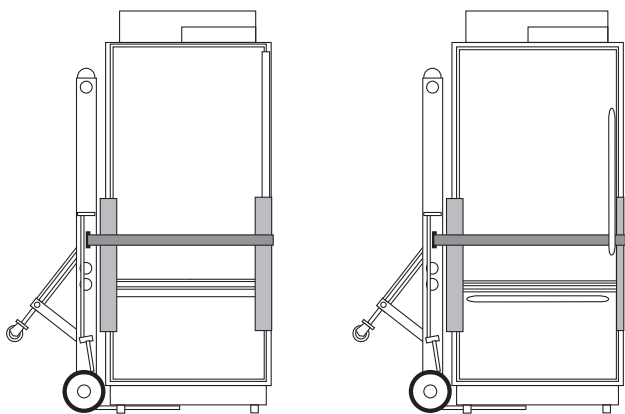
**Utiliser deux ou plus de personnes pour déplacer et installer le réfrigérateur.**

**Le non-respect de ces instructions peut causer un décès ou une blessure grave.**

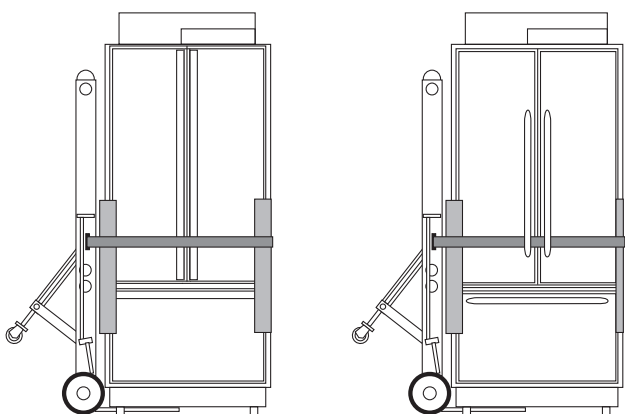
1. Introduire un chariot de manipulation sous le côté gauche du réfrigérateur, tel qu'illustré. À cette fin, placer les cornières de l'emballage par-dessus les garnitures et poignées afin d'éviter des dommages. Serrer lentement la sangle.

**REMARQUE :** Passer la sangle sous les poignées.

### Modèles de porte simple de 36" (91,4 cm)



### Modèles de porte à double battant de 36" (91,4 cm) et 42" (106,7 cm)



2. Placer des bouts du carton d'expédition sur le plancher lorsqu'on fait rouler le chariot et le réfrigérateur pour les faire entrer dans le domicile. Approcher le réfrigérateur près de l'ouverture d'encastrement.
3. Placer le dessus du carton ou du contreplaqué sous le réfrigérateur.
4. Mettre le réfrigérateur en position verticale. Placer d'abord le bord inférieur gauche du réfrigérateur sur le plancher, puis mettre le réfrigérateur debout et abaisser ensuite le côté droit du réfrigérateur sur le plancher.
5. Ne pas ôter la pellicule ou le couvercle.
6. Réinstaller la garniture et la grille supérieure après avoir retiré le chariot du réfrigérateur.

### Installation de planches antibasculement

#### IMPORTANT :

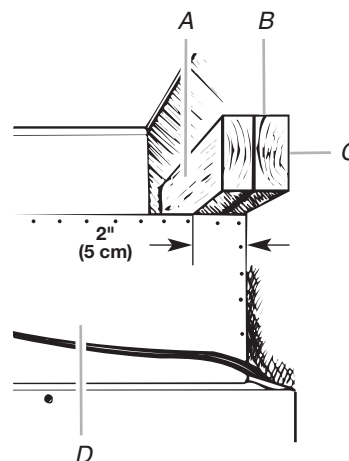
- Pour éviter le basculement pendant l'utilisation, le soffite massif doit se trouver à 1" (2,5 cm) maximum au-dessus du réfrigérateur. Si le soffite massif se trouve à plus de 1" (2,5 cm) ou si un soffite n'est pas disponible, le réfrigérateur doit être arrimé.
- On recommande la mise en place d'une ou de plusieurs planches avant l'installation du réfrigérateur.
- Il faut que la ou les planches soient assez longues pour recouvrir complètement le couvercle du compresseur sur toute la largeur.
- Positionner la ou les planches de telle manière que la surface inférieure se trouve à 84" (213 cm) du plancher.

- Durant l'installation, soulever le réfrigérateur pour que la distance résiduelle entre le sommet du réfrigérateur et la surface intérieure de la ou des planches antibasculement se trouve à une distance maximale de 1/4" (6,35 mm). Veiller à ne pas écraser le couvercle du compresseur lors du soulèvement des pieds de nivellement arrière.

**REMARQUE :** Le joint en mousse sur le sommet du couvercle du compresseur se comprimera pour tenir sous la ou les planches antibasculement. Il n'est pas nécessaire de découper le joint.

#### Installation des planches antibasculement

1. Marquer les emplacements des montants sur le mur arrière.
2. Fixer solidement une ou deux planches de 2 x 4 x 32" (5 cm x 10 cm x 81 cm) sur les montants muraux derrière le réfrigérateur. Utiliser 6 vis à bois n°8 x 3" (7,6 cm) ou plus longues. Les vis à bois doivent pénétrer dans les montants d'au moins 1 1/2" (3,8 cm). La ou les planches doivent être placées en chevauchement sur le couvercle du compresseur.



- A. Centrer la planche au-dessus du réfrigérateur à une distance maximale de 1/4" (6,35 mm)
- B. Deux planches de 2" x 4" x 32" (5 cm x 10 cm x 81 cm)
- C. Fixer aux montants avec six vis n°8 x 3" (7,6 cm)
- D. Couvercle du compresseur

### Raccordement à la canalisation d'eau

Lire toutes les instructions avant de commencer.

#### IMPORTANT :

- Brancher sur une alimentation en eau potable uniquement.

Ne pas utiliser pour le filtrage d'une eau microbiologiquement polluée ou de qualité inconnue en l'absence d'un dispositif de désinfection adéquat avant ou après le système. Les systèmes certifiés pour la réduction de kyste peuvent être utilisés pour l'eau désinfectée qui peut contenir des kystes filtrables.

- Si on doit mettre en marche le réfrigérateur avant que la canalisation d'eau ne soit connectée, placer la machine à glaçons à OFF (arrêt).

### Raccordement à la canalisation d'eau

#### Pièces nécessaires

- Canalisation flexible d'alimentation en eau homologuée conformément aux codes en vigueur de 7 pi (2,13 m)

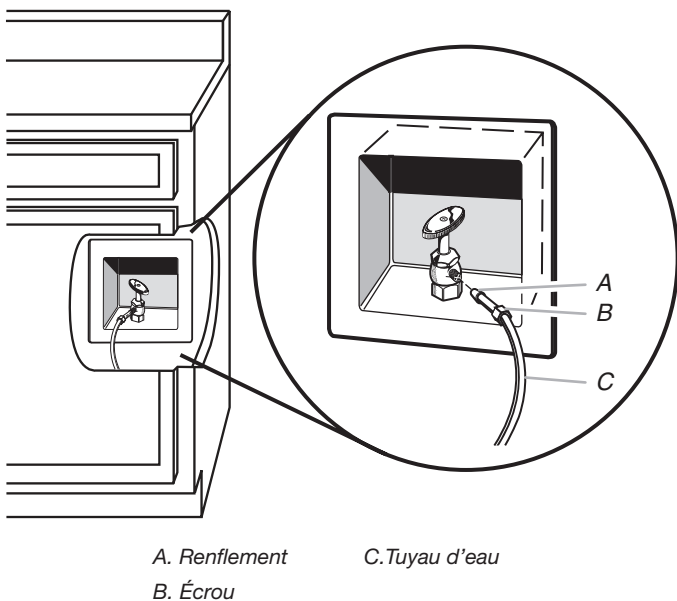
#### Style 1 – Connexion avec robinet d'arrêt

**REMARQUE :** Si le raccordement de la canalisation d'eau ne ressemble pas au Style 1, voir "Style 2 – Raccordement de la canalisation en cuivre".

1. Débrancher le réfrigérateur ou déconnecter la source de courant électrique.

**IMPORTANT :**

- Si un robinet d'arrêt se trouve dans un mur situé derrière le réfrigérateur, il n'y a pas suffisamment d'espace pour une installation en affleurement. Le robinet d'arrêt devrait se trouver dans l'armoire inférieure, d'un côté ou l'autre du réfrigérateur.
  - Avant de raccorder le tube au robinet d'arrêt, rincer la canalisation d'eau principale pour éliminer l'air et les débris qui s'y trouvent. Laisser s'écouler une quantité d'eau suffisante, jusqu'à ce qu'elle soit limpide. Le rinçage de la canalisation d'eau peut permettre d'éviter l'obstruction des filtres et/ou celle des robinets.
2. Raccorder la canalisation flexible d'alimentation en eau homologuée conformément aux codes en vigueur au robinet d'arrêt en enfilant l'écrou fourni sur le robinet d'arrêt, tel qu'illustré.



A. Rénfleurement  
B. Écrou  
C. Tuyau d'eau

3. Placer l'extrémité du tube dans un seau et OUVRIER le robinet d'arrêt.
4. Vérifier qu'il n'y a pas de fuites. Si des fuites sont identifiées, resserrer tous les écrous ou connexions concernés (y compris les connexions au niveau du robinet).

**Style 2 – Raccordement de la canalisation d'eau**

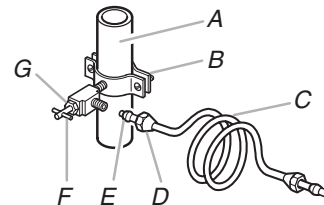
**REMARQUE :** S'il y a une canalisation d'alimentation en eau qui satisfait aux exigences de "Exigences d'alimentation en eau", passer à "Raccordement au réfrigérateur". Si ce n'est pas le cas, utiliser les instructions suivantes pour le raccordement à l'alimentation d'eau froide du domicile.

1. Débrancher le réfrigérateur ou déconnecter la source de courant électrique.
2. FERMER le robinet principal d'alimentation en eau. OUVRIER le robinet le plus proche pendant une période suffisante pour purger toute l'eau de la canalisation.
3. Identifier une canalisation d'eau froide verticale de 1/2" à 1 1/4" (1,3 cm à 3,18 cm) à proximité du réfrigérateur.

**IMPORTANT :**

- Vérifier qu'il s'agit d'une canalisation d'eau froide.

- On peut aussi utiliser une canalisation horizontale ; dans ce cas, on devra percer sur la face supérieure du tuyau et non pas au-dessous. Ceci permet de tenir la perceuse à l'écart de l'eau et d'empêcher les sédiments qu'on trouve normalement dans l'eau de s'accumuler dans le robinet d'arrêt.
4. Déterminer la longueur de tube de cuivre à utiliser. Mesurer depuis le point de connexion sur le réfrigérateur à la canalisation d'eau. Ajouter 7 pi (2,1 m) pour permettre les opérations de nettoyage. Utiliser un tube en cuivre de 1/4" (6,35 mm) de diamètre extérieur. Veiller à ce que le tube soit coupé d'équerre aux deux extrémités.
  5. À l'aide d'une perceuse sans fil, percer un trou de 1/4" (6,35 mm) dans la canalisation d'eau froide sélectionnée.



A. Canalisation d'eau froide  
B. Bride de tuyau  
C. Tube en cuivre  
D. Écrou de compression  
E. Bague de compression  
F. Robinet d'arrêt  
G. Écrou de serrage

6. Fixer le robinet d'arrêt sur la canalisation d'eau froide avec la bride de tuyau. Veiller à bien insérer l'extrémité de sortie dans le trou de 1/4" (6,35 mm) de la canalisation d'eau ; veiller à placer correctement le joint sous la bride du tuyau. Serrer l'écrou de serrage. Serrer lentement et uniformément les vis fixant la bride de tuyau sur le tuyau afin d'assurer l'étanchéité du joint. Ne pas serrer excessivement.

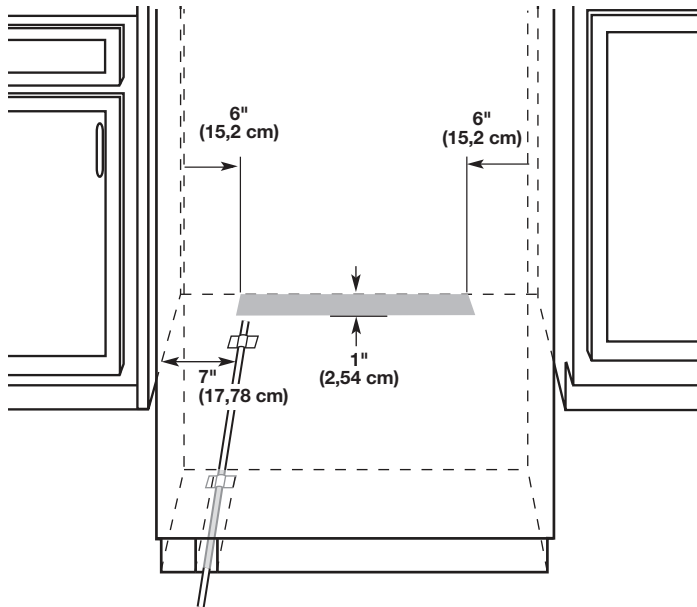
**IMPORTANT :** Avant de raccorder le tube au robinet d'arrêt, rincer la canalisation d'eau principale pour éliminer l'air et les débris qui s'y trouvent. Laisser s'écouler une quantité d'eau suffisante, jusqu'à ce qu'elle soit limpide. Le rinçage de la canalisation d'eau peut permettre d'éviter l'obstruction des filtres et/ou celle des robinets.

7. Enfiler la bague et l'écrou de compression sur le tube en cuivre comme illustré. Insérer l'extrémité du tube directement dans l'extrémité de sortie, aussi loin que possible. Visser l'écrou de compression sur l'extrémité de sortie du raccord à l'aide d'une clé à molette. Ne pas serrer excessivement la bride ou la bague. Ceci provoquera l'écrasement du tube de cuivre.
8. Fermer le robinet d'arrêt de la canalisation d'eau. Lover le tube de cuivre.
9. Raccorder la canalisation flexible d'alimentation en eau homologuée conformément aux codes en vigueur au robinet d'arrêt en enfilant l'écrou fourni sur le robinet d'arrêt.
10. Placer l'extrémité du tube dans un seau et OUVRIER le robinet d'arrêt.
11. Inspecter pour rechercher des fuites au niveau du robinet d'arrêt à étrier. Si des fuites sont identifiées, resserrer tous les écrous ou connexions concernés (y compris les connexions au niveau du robinet).

## Raccordement au réfrigérateur

### Pièces fournies

- Raccord mâle-mâle 1/4" - 1/4" (6,35 mm - 6,35 mm)



**REMARQUE :** La canalisation flexible d'alimentation en eau, homologuée conformément aux codes en vigueur, doit être raccordée à la vanne d'alimentation par le sol.

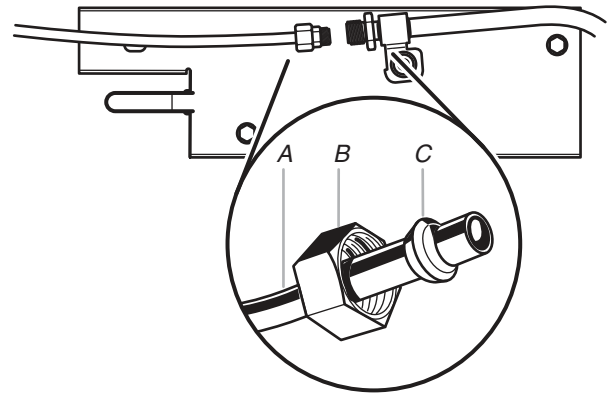
1. Débrancher le réfrigérateur ou déconnecter la source de courant électrique.
2. Raccorder le tube flexible de 7 pi (2,13 m) homologué conformément aux codes en vigueur au robinet d'alimentation en eau.
3. Rincer la canalisation d'alimentation en eau principale pour éliminer les particules et l'air présents dans la canalisation d'eau. Laisser s'écouler une quantité d'eau suffisante, jusqu'à ce qu'elle soit limpide.
4. Avec du ruban adhésif, fixer la canalisation flexible d'alimentation en eau approuvée par les codes en vigueur de 7 pi (2,13 m) au plancher, à 7" (17,78 cm) du côté gauche du réfrigérateur. La fixer le long du tube ; ceci lui permet ainsi de passer sous le réfrigérateur sans rencontrer d'obstacle.

**REMARQUE :** Laisser pendre un minimum de 26" (66,04 cm) de la canalisation flexible d'alimentation en eau approuvée par les codes en vigueur à l'avant du réfrigérateur pour le raccordement au réfrigérateur.

5. Raccorder la canalisation flexible d'alimentation en eau approuvée par les codes en vigueur de 7 pi (2,13 m) au réfrigérateur.

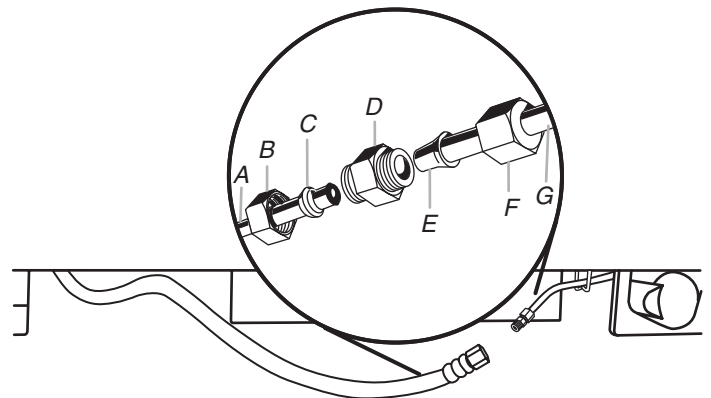
**REMARQUE :** Si le robinet d'arrêt principal se trouve derrière le réfrigérateur, un deuxième robinet d'arrêt peut être installé en ligne directe avec la canalisation d'alimentation en eau, à l'avant du produit.

## Raccord par dessus le surmoulage (sur certains modèles)



- A. Canalisation d'eau du domicile
- B. Écrou (à acheter)
- C. Virole (à acheter)

## Raccord discret (sur certains modèles).



- A. Canalisation d'eau du domicile
- B. Écrou (à acheter)
- C. Virole (à acheter)
- D. Raccord
- E. Renflement
- F. Écrou
- G. Tuyau d'eau du réfrigérateur

6. Ouvrir l'alimentation en eau et inspecter tous les raccords pour identifier toute fuite éventuelle.

## Brancher le réfrigérateur

### **AVERTISSEMENT**



#### Risque de choc électrique

**Brancher sur une prise à 3 alvéoles reliée à la terre.**

**Ne pas enlever la broche de liaison à la terre.**

**Ne pas utiliser un adaptateur.**

**Ne pas utiliser un câble de rallonge.**

**Le non-respect de ces instructions peut causer un décès, un incendie ou un choc électrique.**

1. Régler la commande sur la partie supérieure de la caisse à la position OFF (arrêt).
2. Brancher l'appareil sur une prise à 3 alvéoles reliée à la terre.

Si le cordon d'alimentation est endommagé, il doit être remplacé par le fabricant, son agent de service ou toute autre personne également qualifiée. Ne pas utiliser un cordon craquelé ou qui présente des dommages d'abrasion sur la gaine, la fiche ou l'extrémité de connexion.

## Déplacement du réfrigérateur à son emplacement définitif

### **AVERTISSEMENT**



#### Risque de basculement

**Le réfrigérateur est lourd au sommet et bascule facilement lorsqu'il n'est pas complètement installé.**

**Garder les portes fermées avec un ruban adhésif jusqu'à l'installation complète du réfrigérateur.**

**Utiliser deux ou plus de personnes pour déplacer et installer le réfrigérateur.**

**Le non-respect de ces instructions peut causer un décès ou une blessure grave.**

**IMPORTANT :** Avant de déplacer le réfrigérateur, vérifier que les pieds sont relevés (aucun contact avec le plancher) et que le réfrigérateur repose sur ses roulettes afin d'éviter d'endommager le plancher.

1. Placer le dessus du carton ou du contreplaqué sous le réfrigérateur. Retirer le chariot.
2. Ne pas ôter la pellicule ou le couvercle.

3. Replacer le réfrigérateur en ligne droite dans l'ouverture ; le placer de façon à ce que les dégagements autour de l'appareil soient uniformes. Veiller à ce que les garnitures latérales du réfrigérateur n'interfèrent pas avec l'ouverture de la porte. S'assurer également que la canalisation d'arrivée d'eau n'est pas déformée et que le cordon d'alimentation électrique se trouve sur le dessus du réfrigérateur.

## Réglage de l'aplomb et alignement du réfrigérateur

### **AVERTISSEMENT**



#### Risque de basculement

**Le réfrigérateur est lourd au sommet et bascule facilement lorsqu'il n'est pas complètement installé.**

**Garder les portes fermées avec un ruban adhésif jusqu'à l'installation complète du réfrigérateur.**

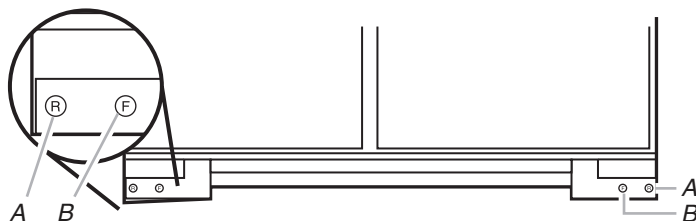
**Utiliser deux ou plus de personnes pour déplacer et installer le réfrigérateur.**

**Le non-respect de ces instructions peut causer un décès ou une blessure grave.**

**IMPORTANT :** Les quatre roulettes doivent toucher le plancher pour supporter et stabiliser le poids total du réfrigérateur. Les roulettes ne sont utilisées que pour le déplacement du réfrigérateur, et non pas pour un soutien permanent.

**Après avoir déplacé le réfrigérateur jusqu'à sa position de service finale :**

1. Utiliser un tournevis à douille de 5/16" pour faire tourner les boulons de réglage de l'aplomb dans le sens horaire et déployer les pieds vers le plancher (voir illustration). Les roulettes ne doivent plus être en contact avec le plancher.

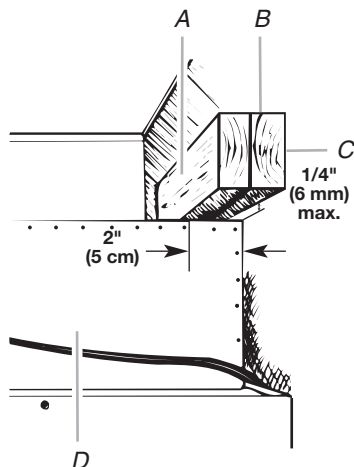


A. Boulon d'ajustement de l'aplomb (arrière)

B. Boulon d'ajustement de l'aplomb (avant)

2. Ajuster les pieds de réglage de l'aplomb et établir l'aplomb du réfrigérateur de gauche à droite et avant/arrière de façon à ce qu'il soit d'aplomb et aligné avec l'armoire. La surface de l'armoire doit être verticale pour une insertion parfaite de la garniture latérale du réfrigérateur.
3. Ajuster tous les pieds de réglage de l'aplomb pour soulever le réfrigérateur jusqu'à ce que la partie supérieure se situe à au moins 1" (2,54 cm) du soffite supérieur.

**REMARQUE :** Si une planche antibasculement a été utilisée, ajuster les pieds de réglage de l'aplomb jusqu'à ce que la partie supérieure du réfrigérateur se situe à 1/4" (6,35 mm) du bas de la planche antibasculement (voir illustration). Ne pas écraser le couvercle du compresseur.



- A. Centrer la planche au-dessus du réfrigérateur à une distance maximale de 1/4" (6 mm)  
 B. Deux planches de 2" x 4" x 32" (5 cm x 10 cm x 81 cm)  
 C. Fixer aux montants avec six vis n°8 x 3" (7,6 cm)  
 D. Couvercle du compresseur

**IMPORTANT :** Ajuster par petits à-coups pour éviter d'endommager la garniture de l'armoire et causer des problèmes d'alignement de la porte ou d'insertion de la grille supérieure. Pour éviter d'endommager l'armoire ou les pieds de réglage de l'aplomb, ne pas appliquer sur les boulons un couple supérieur à 50 lb-po (5,65 Nm). Les pieds de réglage de l'aplomb peuvent être déployés à un maximum de 1 1/4" (3,18 cm) au dessous des roulettes.

4. Pour les modèles Overlay, des ajustements supplémentaires peuvent être nécessaires après l'installation des panneaux personnalisés.

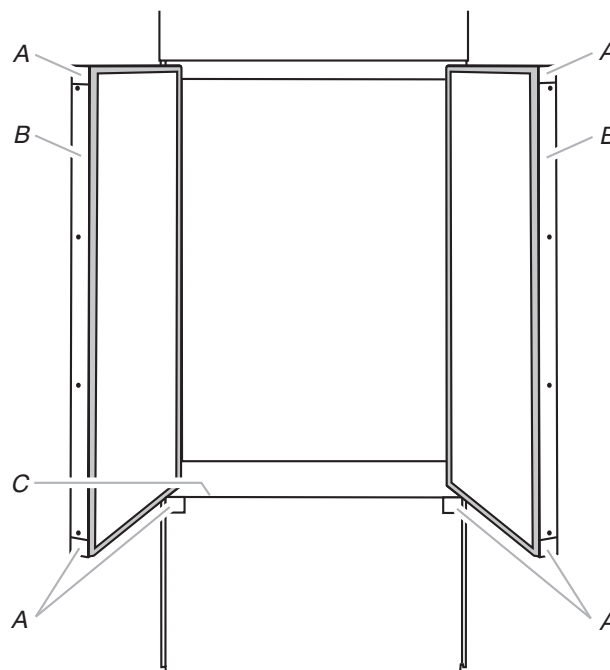
## Installation des panneaux personnalisés Overlay

### IMPORTANT :

- Installer les poignées personnalisées avant d'installer les panneaux sur le réfrigérateur. Pour plus d'informations sur le choix de la poignée personnalisée KitchenAid, consulter le catalogue KitchenAid, visiter [www.kitchenaid.com](http://www.kitchenaid.com), ou composer le 1 800 422-1230. Au Canada, consulter [www.kitchenaid.ca](http://www.kitchenaid.ca) ou composer le 1 800 807-6777
- Réaliser des panneaux personnalisés Overlay selon les spécifications de la section "Panneaux personnalisés de série Overlay".
- KitchenAid n'est pas responsable des opérations d'enlèvement et de réinstallation des moulures ou panneaux décoratifs qui entraveraient l'accès au réfrigérateur lors d'une intervention de réparation.

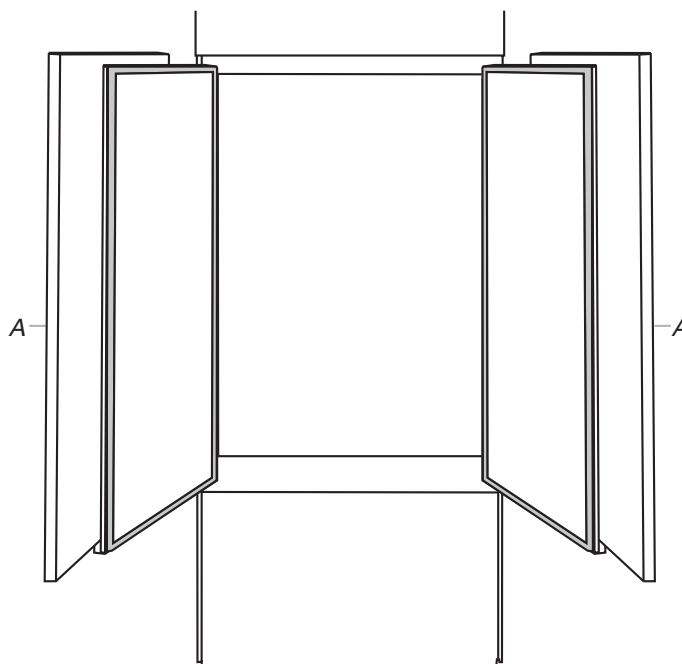
## Installation du panneau de porte

1. Enlever les matériaux et ruban adhésif de maintien de la ou des portes du réfrigérateur et du tiroir du congélateur.
2. Ouvrir le ou les portes du réfrigérateur et le tiroir du congélateur et retirer les garnitures et embouts de coin sur chaque porte – voir l'illustration.



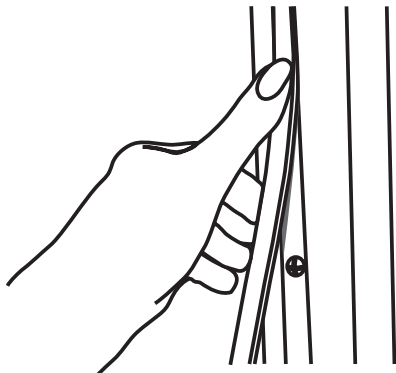
- A. Embouts de coin  
 B. Garnitures de porte du réfrigérateur  
 C. Garniture du tiroir du congélateur

3. Faire glisser les panneaux personnalisés dans les garnitures des portes du réfrigérateur et du tiroir du congélateur, en s'assurant que le panneau d'appui s'insère bien dans les garnitures latérales.



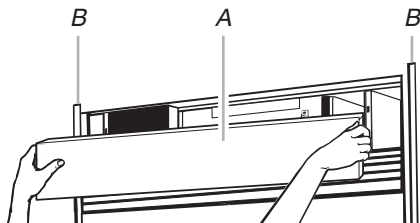
A. Panneaux

- Réinstaller les garnitures et embouts de coin.
- Enlever la pellicule des cache-vis. Enclencher les cache-vis dans la section de garniture de la poignée.



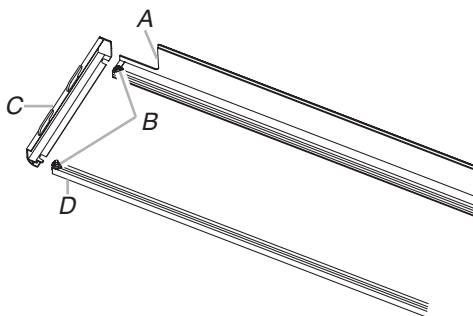
### Panneau de la grille supérieure

- Saisir les deux extrémités de la grille supérieure.
- Pousser la grille tout droit vers le haut, puis tout droit vers l'extérieur. Poser la grille supérieure côté panneau vers le bas sur une surface de travail molle.



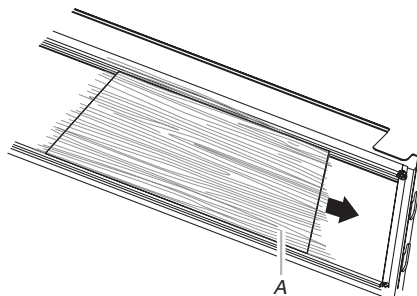
A. Grille supérieure  
B. Garnitures latérales de la caisse

- Enlever un embout en desserrant les écrous et en faisant glisser et sortir l'embout.



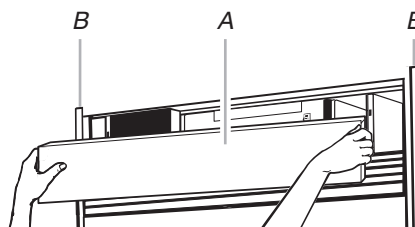
A. Tringle inférieure    C. Embout  
B. Écrous                D. Tringle inférieure

- Faire glisser le panneau personnalisé dans la tringle de la grille supérieure et réinstaller l'embout.



A. Panneau personnalisé

- Réinstaller la grille supérieure dans les garnitures latérales et tirer légèrement le panneau vers le bas pour le verrouiller en place.

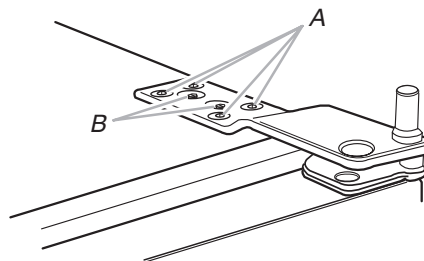


A. Grille supérieure  
B. Garnitures latérales de la caisse

## Ajustement des portes

### Alignement des portes

- Desserrer, mais ne pas retirer, les quatre vis de montage à tête plate Torx<sup>+</sup> 27. Enlever les vis à tête hexagonale de montage de 1/4" de la charnière supérieure.
- Ajuster la charnière supérieure de la porte pour l'aligner.
- Serrer les vis de montage à tête plate Torx<sup>+</sup> 27 d'un couple d'environ 100 lb-po (11,3 Nm).
- Jeter les vis à tête hexagonale de 1/4".



A. Vis de montage à tête plate Torx<sup>+</sup> 27  
B. Vis de montage à tête hexagonale de 1/4"

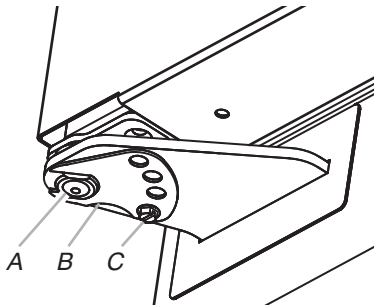


## Ajustement de la hauteur de la porte de (36" [91,4 cm] et pour modèles de porte à double battant de 42" [106,7 cm])

Procéder comme suit pour le réglage de la hauteur de la porte (modification vers le haut ou vers le bas), après l'établissement de l'aplomb du réfrigérateur.

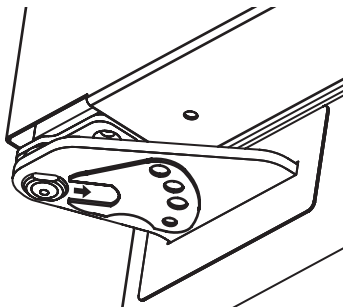
**REMARQUE :** Ajuster d'abord la position de la porte de droite par rapport à la position de la porte de gauche. S'il est nécessaire d'ajuster la porte de gauche, on doit veiller à ce que le rail central sur charnière sur la porte de gauche ne donne pas lieu à un frottement lors de la fermeture de la porte.

1. Ouvrir le tiroir du congélateur. Ôter la vis de la plaque de verrouillage sur la face inférieure de la charnière de la porte du réfrigérateur – utiliser une clé à fourche de 1/4".



A. Bague  
B. Plaque de verrouillage  
C. Vis de plaque de verrouillage

2. Enlever la plaque de verrouillage tel qu'illustré.

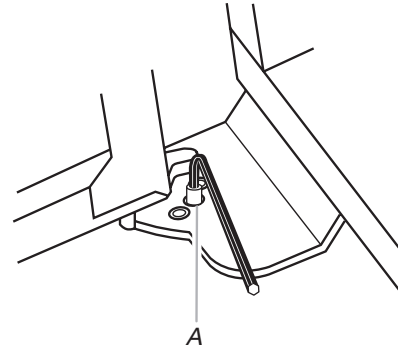


3. Faire tourner les bagues situées sous la charnière – utiliser une clé à fourche de 1/2". La rotation de la bague vers la gauche provoque un abaissement de la porte. La rotation de la bague vers la droite provoque un soulèvement de la porte.
4. Après le réglage, contrôler le bon ajustement des portes : niveau identique en haut et en bas. S'il y a un écart de niveau entre les portes, poursuivre le processus de réglage par rotation des bagues.
5. Réinstaller la plaque de verrouillage.
  - Tourner légèrement la bague pour aligner les trous de vis de la charnière et de la plaque de verrouillage.
  - Réinstaller et serrer la vis de la plaque de verrouillage.
6. Effectuer un contrôle final pour vérifier le bon alignement des portes.

## Réglage de l'ouverture de la porte

### Modèles de porte simple de 36" (91,4 cm)

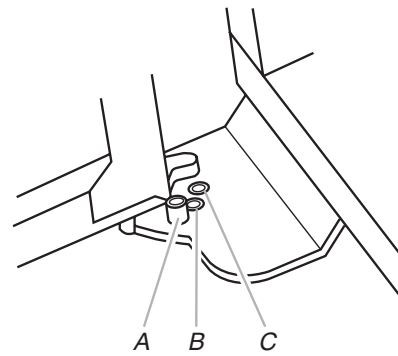
1. Vérifier que la porte du réfrigérateur peut s'ouvrir librement. Si la porte s'ouvre trop grande, enlever la vis de butée de porte de la charnière inférieure avec un tournevis Torx<sup>®</sup> T15.



A. Vis de butée de porte

2. Maintenir la porte à une position inférieure à 90°.
3. Réinstaller la vis de butée de porte dans la charnière inférieure et serrer la vis.

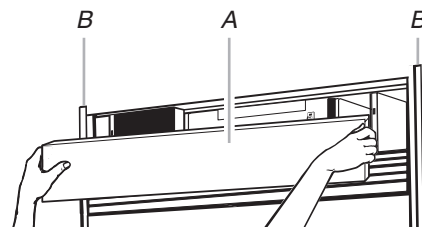
**IMPORTANT :** Pour les modèles de série Overlay, ne pas placer la vis de butée de porte à 130°. Voir "Poignée et porte – Espacements à respecter".



A. 130°  
B. Vis 110° (série Overlay)  
C. 90°

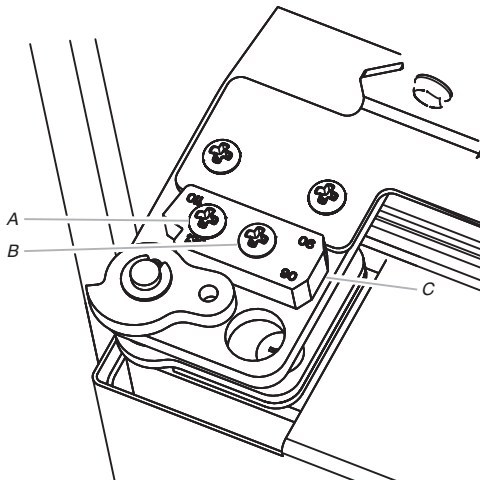
### Modèles de 42" (106,7 cm)

1. Vérifier que la porte du réfrigérateur peut s'ouvrir librement. Si l'angle d'ouverture de la porte est trop grand, on doit régler la position de la butée de porte.
2. Saisir les deux extrémités de la grille supérieure.
3. Pousser la grille supérieure tout droit vers le haut, puis tout droit vers l'extérieur. Placer la grille sur une surface protégée.



A. Grille supérieure  
B. Garnitures latérales de la caisse

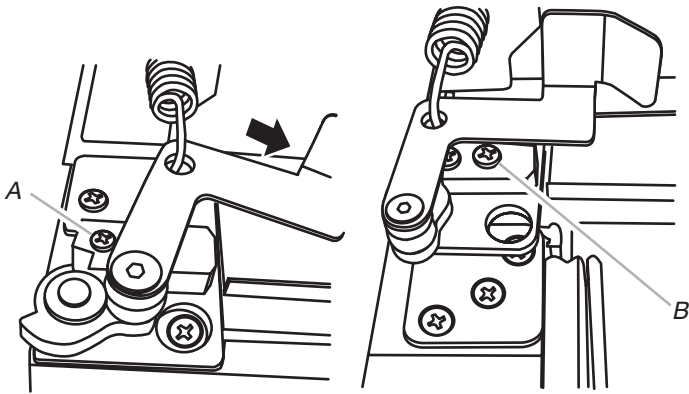
4. La butée de porte est située sur la charnière supérieure.



A. Vis de butée de porte "A" C. Butée de porte  
B. Vis de butée de porte "B"

5. Ôter les 2 vis de butée de porte.

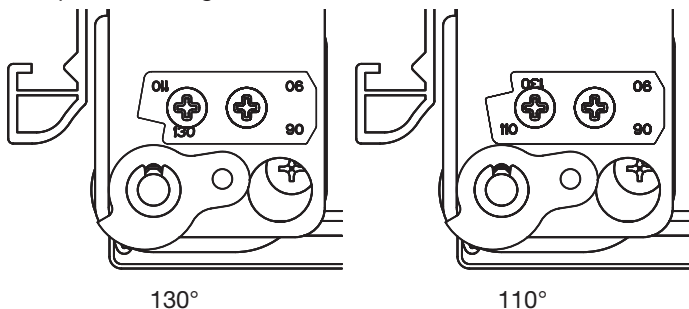
- Pour ôter la vis extérieure ("A") :  
Avec la porte fermée, appuyer fermement la bride en L contre la partie centrale du réfrigérateur jusqu'à ce que la vis soit exposée.
- Pour ôter la vis intérieure ("B") :  
Ouvrir la porte à un angle de 90° ; la bride en L exposera la vis.



A. Vis de butée de porte "A"  
B. Vis de butée de porte "B"

6. Inverser ou faire pivoter la butée de porte à la position désirée – voir l'illustration ci-dessous.

**REMARQUE :** Pour un modèle série Overlay, façonner (à la toupie) un arrondi sur les panneaux de porte personnalisés sur au moins la moitié de l'épaisseur du panneau si on ouvre la porte à un angle de 130°.



130°

110°

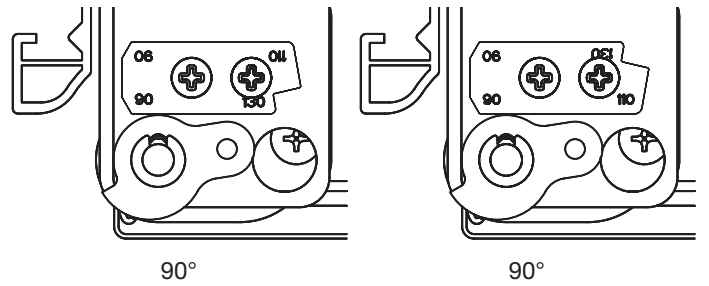


Illustration pour côté gauche ; illustration pour côté droit (inversion)

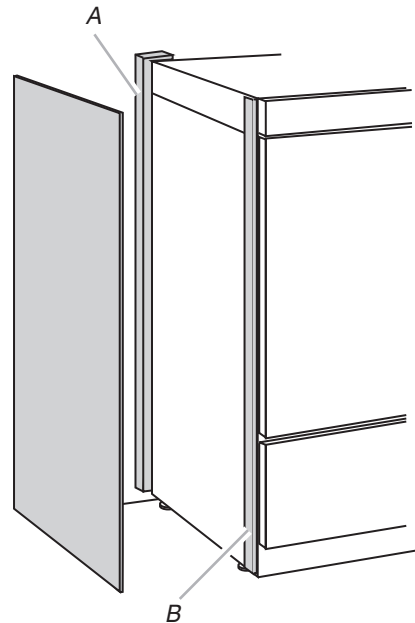
7. Réinstaller les vis de butée de porte ; serrer les vis.
8. Vérifier que la porte du réfrigérateur peut s'ouvrir librement.

## Installation du panneau latéral

Si la profondeur de la cavité d'encastrement est 25" (63,5 cm) ou plus, on peut insérer chaque panneau latéral dans la garniture latérale ou le fixer à l'extérieur de la garniture latérale.

**IMPORTANT :** KitchenAid n'est pas responsable des opérations d'enlèvement et de réinstallation des moulures ou panneaux décoratifs qui entraveraient l'accès au réfrigérateur lors d'une intervention de réparation.

1. Pour la pièce de garniture latérale interne, insérer la rive avant du panneau latéral usiné dans le profilé de garniture.
2. Clouer la rive arrière du panneau sur la planche d'appui.



A. Pièce de bois de support  
B. Garniture latérale

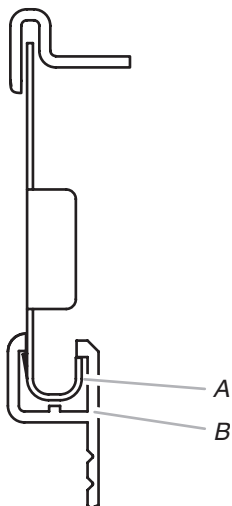
## Installation de la grille de la base

La grille de base comporte deux pièces permettant un ajustement personnalisé : la grille de base elle-même et la plinthe. La plinthe peut être ajoutée à la grille de la base pour la prolonger jusqu'au plancher.

1. Pour voir si la plinthe est nécessaire, placer la grille de la base en position. Ne pas fixer la grille de la base au réfrigérateur. Mesurer la distance entre le fond de la grille de la base et le plancher. L'espace doit mesurer au moins 1/2" (1,27 cm) pour que l'on puisse ajouter la plinthe.

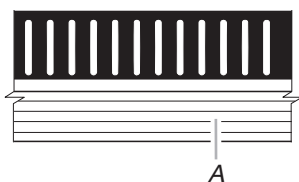
**REMARQUE :** Si l'espace mesure moins de 1/2" (1,27 cm), omettre les étapes 3 et 4 des instructions et installer uniquement la grille de la base.

2. Enlever la pellicule de protection de la grille de la base.
3. Emboîter la plinthe sur la grille de la base.



A. Grille de la base  
B. Plinthe

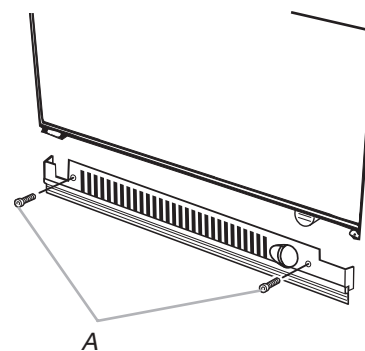
4. Entailler la plinthe en marquant la rainure en V appropriée avec un couteau utilitaire. Briser la plinthe au niveau de la ligne d'entaille.



A. Rainure en "V"

5. À l'aide des deux vis, fixer la grille de la base au réfrigérateur, tel qu'illustré.

**REMARQUE :** Insérer d'abord la vis du côté droit.



A. Vis (2)

## Terminer l'installation

1. Tourner le robinet de la canalisation d'eau à la position "Open" (ouvert).
2. Tourner le commutateur du réfrigérateur à la position ON (marche). Voir "Interrupteur d'alimentation ON/OFF" dans le Guide d'utilisation et d'entretien pour plus d'instructions. Attendre quelques minutes. Vérifier les raccords de la canalisation d'eau pour confirmer l'absence de fuites.
3. Retirer toutes les boîtes, tous les paquets de pièces et tous les matériaux d'emballage de l'intérieur du réfrigérateur. Voir la section "Nettoyage" dans le Guide d'utilisation et d'entretien pour les instructions. Ôter la pellicule et le carton de la grille et des portes ou du châssis de la porte, selon le modèle.
4. Installer les clayettes/tablettes et bacs dans les compartiments de réfrigération et de congélation.
5. Les commandes sont pré-réglées à l'usine au réglage moyen. S'assurer que le compresseur fonctionne bien et que tous les témoins sont en bon état de marche.
6. Si la construction doit continuer après l'installation du réfrigérateur, régler les commandes à OFF (arrêt).

Pour l'utilisation la plus efficace de votre nouveau réfrigérateur encastré, lire le Guide d'utilisation et d'entretien. Conserver les Instructions d'installation et le Guide d'utilisation et d'entretien à proximité du réfrigérateur encastré pour pouvoir les consulter facilement.

---

## NOTES

---

## NOTES

---

## NOTES

---

## NOTES

