

OWNER'S MANUAL MANUEL DE L'UTILISATEUR MANUAL DEL PROPIETARIO

TABLE OF CONTENTS/TABLE DES MATIÈRES/ÍNDICE

DISHWASHER MAINTENANCE	3	ENTRETIEN DU	30	MANTENIMIENTO DE	57
DISHWASHER LOADING TIPS.....	4	LAVE-VAISSELLE.....	30	LA LAVAVAJILLAS	57
DISHWASHER CARE	5	CONSEILS DE CHARGEMENT	31	CONSEJOS PARA CARGAR	58
DISHWASHER SETTING MENU.....	6	DU LAVE-VAISSELLE	31	LA LAVAVAJILLAS	58
ERROR CODES.....	7	ENTRETIEN DU	32	CUIDADO DE LA LAVAVAJILLAS... 59	
Error codes / blinking lights.....	7	LAVE-VAISSELLE.....	32	MENÚ DE AJUSTES DE	60
INSTALLATION REQUIREMENTS... 8		MENU DE RÉGLAGE DU	33	LA LAVAVAJILLAS:	60
Tools and parts	8	LAVE-VAISSELLE :.....	33	CÓDIGOS DE ERROR.....	61
Location requirements	10	CODES D'ANOMALIES.....	34	Códigos de error / Luces	
Product and cabinet opening		Codes d'anomalies/témoins		parpadeantes.....	61
dimensions:.....	11	qui clignotent	34	REQUISITOS DE INSTALACIÓN ... 62	
Drain requirements	12	EXIGENCES D'INSTALLATION	35	Herramientas y piezas	62
Water supply requirements.....	12	Outils et pièces	35	Requisitos de ubicación	64
Electrical requirements	12	Exigences d'emplacement	37	Dimensiones del producto	
INSTALLATION INSTRUCTIONS... 13		Dimensions d'ouverture du produit		y de la abertura del gabinete:	65
Prepare cabinet opening—		et de l'armoire :.....	38	Requisitos de desagüe	66
new utilities	13	Exigences d'évacuation.....	39	Requisitos de suministro de agua	66
Install optional moisture barrier -		Spécifications de l'alimentation		Requisitos eléctricos.....	66
recommended for wood countertops ...	13	en eau	39	INSTRUCCIONES	
Electrical connection	14	Spécifications électriques.....	39	DE INSTALACIÓN	67
Prepare dishwasher	15	INSTRUCTIONS D'INSTALLATION...40		Preparación de la abertura del	
Remove access panel and insulation... 15		Préparation de l'ouverture		gabinete: instalaciones nuevas.....	67
Disconnect and remove drip tray		d'encastrement de l'armoire –		Instalación opcional de la barrera	
assembly.....	15	nouveaux raccordements de service... 40		contra la humedad (recomendado	
Connect water line to fill valve.....	16	Installer la barrière anti-humidité		para los mostradores de madera).....	67
Connect fill hose to fill valve	17	en option – recommandée pour		Conexión eléctrica	68
Drain hose connection.....	18	les comptoirs en bois	40	Prepare la lavavajillas.....	69
Power cord connection.....	18	Raccordement électrique.....	41	Retire el panel de acceso	
Install door handle		Préparation du lave-vaisselle.....	42	y el aislante	69
(on some models)	20	Retrait du panneau d'accès		Desconecte y retire el ensamblaje	
Place dishwasher in cabinet	20	et de l'isolation	42	de la bandeja de goteo	69
Custom panel installation		Débrancher et enlever le plateau		Conecte la tubería de agua	
(custom panel models only).....	21	d'écoulement	42	a la válvula de llenado.....	70
Choose anchor attachment method... 21		Branchement de l'arrivée d'eau		Conecte la manguera de llenado	
Final installation check.....	22	à la valve de distribution.....	43	a la válvula de llenado.....	71
Secure dishwasher in cabinet		Branchement du tuyau de remplissage		Conexiones de la manguera	
opening	23	à la valve de distribution.....	44	de desagüe	72
Connect water line to house		Raccord du tuyau de vidange.....	45	Conexión del cable de alimentación... 72	
shut-off valve	24	Branchement du cordon		Instale la manija de la puerta	
Connect drain hose	24	d'alimentation	45	(en algunos modelos).....	74
Complete installation	26	Installer la poigne de porte		Coloque la lavavajillas en el gabinete . 74	
Check operation	27	(sur certains modèles).....	47	Instalación del panel a la medida	
Install access panels.....	27	Placer le lave-vaisselle dans l'armoire ... 47		(en modelos con paneles a la medida	
If dishwasher does not operate	28	Installation du panneau personnalisé		solamente)	75
		(modèles avec panneau personnalisé		Selección del método de sujeción	
		seulement)	48	de anclaje.....	75
		Choix de l'option de fixation.....	48	Verificación final de la instalación..... 76	
		Vérification finale de l'installation.....	49	Asegure la lavavajillas en la abertura	
		Fixation du lave-vaisselle dans		del gabinete	77
		l'ouverture d'encastrement		Conexión de tubería de agua a	
		de l'armoire	50	manguera de válvula de cierre	
		Branchement de l'arrivée d'eau		del hogar	78
		au robinet d'arrêt de la maison.....	51	Conecte la manguera de desagüe..... 78	
		Raccordement du tuyau de vidange.. 51		Complete la instalación	80
		Terminer l'installation	53	Verifique el funcionamiento.....	81
		Contrôle du fonctionnement.....	54	Instale los paneles de acceso.....	81
		Installation des panneaux d'accès 54		Si la lavavajillas no funciona	82
		Si le lave-vaisselle ne fonctionne pas ... 55			

Your safety and the safety of others are very important.

We have provided many important safety messages in this manual and on your appliance. Always read and obey all safety messages.



This is the safety alert symbol.

This symbol alerts you to potential hazards that can kill or hurt you and others.

All safety messages will follow the safety alert symbol and either the word “DANGER” or “WARNING.” These words mean:

⚠ DANGER

You can be killed or seriously injured if you don't immediately follow instructions.

⚠ WARNING

You can be killed or seriously injured if you don't follow instructions.

All safety messages will tell you what the potential hazard is, tell you how to reduce the chance of injury, and tell you what can happen if the instructions are not followed.

IMPORTANT SAFETY INSTRUCTIONS

WARNING: When using the dishwasher, follow basic precautions, including the following:

- Read all instructions before using the dishwasher.
- Use the dishwasher only for its intended function.
- Use only detergents or rinse agents recommended for use in a dishwasher, and keep them out of the reach of children.
- When loading items to be washed:
 - 1) Locate sharp items so that they are not likely to damage the door seal; and
 - 2) Load sharp knives with the handles up to reduce the risk of cut-type injuries.
- Do not wash plastic items unless they are marked “dishwasher safe” or the equivalent. For plastic items not so marked, check the manufacturer's recommendations.
- Do not touch the heating element during or immediately after use.
- Do not operate the dishwasher unless all enclosure panels are properly in place.
- Do not leave the dishwasher open when not loading or unloading dishes.
- Do not tamper with controls.
- Do not abuse, sit on, or stand on the door, lid, or dish racks of the dishwasher.
- Do not use replacement parts that have not been recommended by the manufacturer (e.g. parts made at home using a 3D printer).
- To reduce the risk of injury, do not allow children to play in or on the dishwasher.
- Under certain conditions, hydrogen gas may be produced in a hot water system that has not been used for two weeks or more. **HYDROGEN GAS IS EXPLOSIVE.** If the hot water system has not been used for such a period, before using the dishwasher turn on all hot water faucets and let the water flow from each for several minutes. This will release any accumulated hydrogen gas. As the gas is flammable, do not smoke or use an open flame during this time.
- Remove the door or lid to the washing compartment when removing an old dishwasher from service or discarding it.

SAVE THESE INSTRUCTIONS

GROUNDING INSTRUCTIONS

■ **For a grounded, cord-connected dishwasher:**

The dishwasher must be grounded. In the event of a malfunction or breakdown, grounding will reduce the risk of electric shock by providing a path of least resistance for electric current. The dishwasher is equipped with a cord having an equipment-grounding conductor and a grounding plug. The plug must be plugged into an appropriate outlet that is installed and grounded in accordance with all local codes and ordinances.

WARNING: Improper connection of the equipment-grounding conductor can result in a risk of electric shock.

Check with a qualified electrician or service representative if you are in doubt whether the dishwasher is properly grounded. Do not modify the plug provided with the dishwasher; if it will not fit the outlet, have a proper outlet installed by a qualified electrician.

■ **For a permanently connected dishwasher:**

The dishwasher must be connected to a grounded metal, permanent wiring system, or an equipment-grounding conductor must be run with the circuit conductors and connected to the equipment-grounding terminal or lead on the dishwasher.

SAVE THESE INSTRUCTIONS



⚠️ WARNING

Tip Over Hazard

- Do not use dishwasher until completely installed.
- Do not push down on open door.
- Doing so can result in serious injury or cuts.

DISHWASHER MAINTENANCE

Detergents

High-quality premeasured tablets and packs are recommended for improved performance.

Quality tablets and packs have been proven better than powder, liquid, or gel detergents at reducing filming on dishes. Using tablets and packs over time will start to reduce or eliminate white film. They are suitable for all water hardness and soil levels. Also, by using a rinse aid, you can minimize repeat buildup of white film (not all packs and tablets contain rinse aid). Always place premeasured detergents in main compartment and close lid.

NOTE: Follow instructions on the package when using other dishwasher detergent types.

- Use automatic dishwasher detergent only. Add detergent just before starting a cycle.
- Fresh automatic dishwasher detergent results in better cleaning. Store tightly closed detergent container in a cool, dry place.
- Extremely hard water mineral deposits (15 grains per U.S. gallon or more) can cause damage to your dishwasher and make it difficult to achieve good results. A water softener is recommended to avoid damage and achieve good results.
- For more details about powders, liquids, and gels and hard water conditions consult the brand website.

Rinse aid

Using rinse aid will optimize your drying and wash performance. This dishwasher is specifically designed to be used with rinse aid for improved drying performance and controlling buildup of hard water deposits. Rinse aid needs to be added to the product every 1 to 3 months depending on usage.

Refer to the Quick Start Guide or brand website for information about filling the rinse aid dispenser.

Cycle Selection and Energy

Efficient dishwashers run longer to save water and energy, just as driving a car slower saves on gas. Typical cycle time is approximately 2 1/2 hours, but can take less or significantly more time depending on your selections and incoming water temperature and amount of food soils on the dishes. For optimum performance the dishwasher should be connected to a 120 F (49° C) hot water supply.

If you first press the Start button, the main sensor cycle with heated drying will be automatically selected. This cycle senses the soil amount, and toughness of soil, to adjust the cycle for improved cleaning.

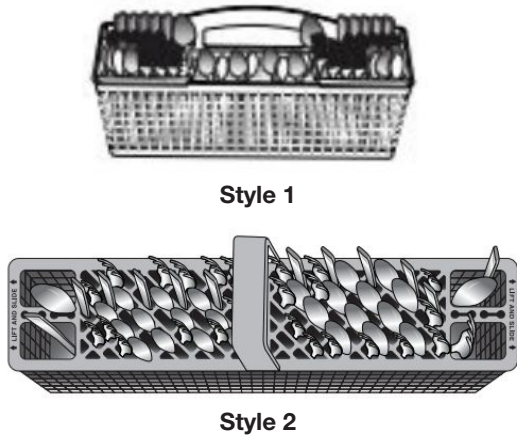
Sanitize or Sani

Sanitizes dishes and glassware in accordance with NSF International NSF/ANSI Standard 184 for Residential Dishwashers. Certified residential dishwashers are not intended for licensed food establishments. Only sanitizing cycles have been designed to meet the requirements of the NSF/ANSI 184 performance standard for soil removal and for sanitization efficacy. There is no intention, either directly or indirectly, that all cycles on a NSF/ANSI 184 certified dishwasher meet the NSF/ANSI 184 performance standard for soil removal and for sanitization efficacy. The Sani Rinse indicator glows at the end of the cycle if the Sani Rinse option was successfully completed. If the indicator does not activate, it is probably due to the cycle being interrupted.

DISHWASHER LOADING TIPS

NOTE: Features are model specific. Your dishwasher may not have all features described.

Silverware Baskets

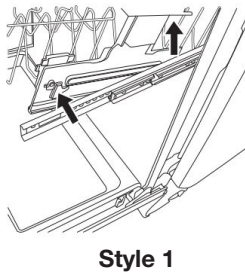


Use silverware basket lids to provide optimal spacing and best cleaning performance.

NOTE: If your silverware does not fit into the designated slots, open the lids (Style 1) or lift on the ends of the lids and pull to remove (Style 2). Mix silverware types to keep them separated. Load knives down, forks up, and alternate spoons for best cleaning results.

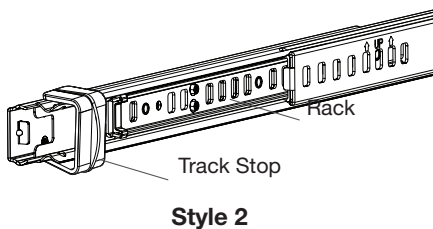
Removing Upper Racks

In order to make space for tall items, your upper racks are removable. The manner in which to remove will depend on whether the rack is mounted with Style 1 or Style 2. Remove dishes prior to removing any racks.



To remove the rack, pull the rack forward about halfway out of the tub. On one side, press the tab on the track in and pull up the front end of the rack, out of the track. Then repeat this step on the other side to completely remove the front end of the rack. Then remove the rack by pulling the back end out using a forward and upward motion.

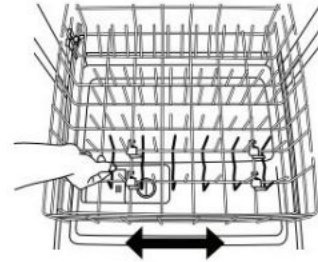
To replace the rack, Push back of rack into rail first and then push front down.



To remove the rack, pull the rack out until it stops. On the left and right side of the rack, push the plastic track stops on the front of the rail sideways to open them. Pull out the rack.

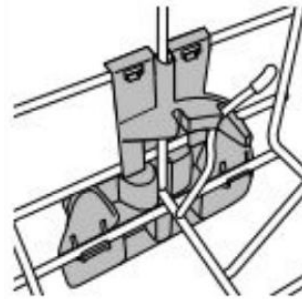
To replace the rack, push the rack back onto the rails. Push the track stops closed.

Sliding Bowl Tines



The sliding bowl tines allow you to easily load bowls of multiple sizes. Grab the moveable tine row in the lower rack and slide into the desired position.

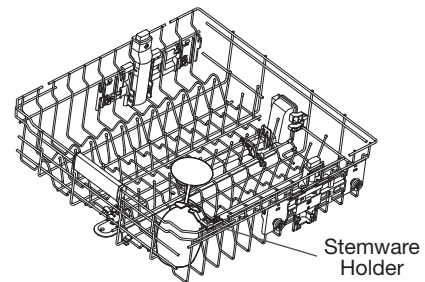
Fold Down Tines



Fold down tines allow you to optimize the spacing in the rack. Fold down tines might be in the lower rack, the second level rack and/or third level rack depending on your model. To fold or unfold the tine, hold the tine nearest the clip at the end of the tine row and gently push it past the stop on the clip and in the direction you want to fold it.

Stemware Holder

Use the stemware holders to support wine glasses and other stemware. Push them up to rotate them out of the way when not needed.



Cup Shelf



Use the cup shelf to hold additional cups or small items. Push up to fold out of the way when not needed.

DISHWASHER CARE

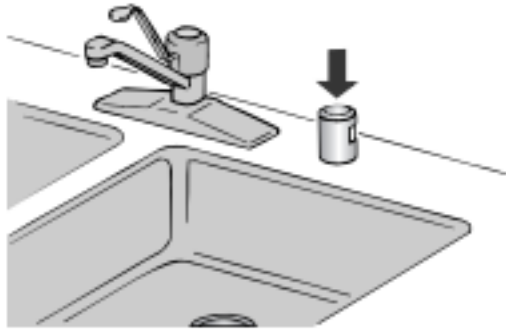
Interior Cleaning

Many detergents may leave white spots or a white residue on dishware and on the interior of the dishwasher. Over time this residue can become unsightly and could affect dishwasher performance. Use of a dishwasher cleaning product such as affresh® Dishwasher Cleaner can help to remove the residue. Monthly use of affresh® Dishwasher Cleaner is recommended to help maintain the dishwasher. Follow package directions.

NOTE: We recommend the use of high-quality, premeasured detergent tablets or packs and the use of rinse aid for dishwasher cleaning and daily care.

Countertop Air Gap

If you have a drain air gap, check and clean it if the dishwasher isn't draining well.



Extended Time Without Use

To Reduce Risk of Property Damage During Vacation or Extended Time Without Use

- When you will not be using the dishwasher during the summer months, turn off the water and power supply to the dishwasher.
- Make sure the water supply lines are protected against freezing conditions. Ice formations in the supply lines can increase water pressure and cause damage to your dishwasher or home.
- Damage from freezing is not covered by the warranty.
- When storing your dishwasher in the winter, avoid water damage by having your dishwasher winterized by authorized service personnel.

Exterior Cleaning

Clean the exterior of dishwasher with a soft, damp cloth and mild detergent. Avoid using abrasive cleaning products on the exterior of the dishwasher. Abrasive cleaning products can damage the finish.

Troubleshooting

The brand website listed on the Quick Start Guide has detailed information to troubleshoot most problems customers encounter. This information may save you the cost of a service call.

Foreign Object Cup

If the Foreign Object Cup is full the Quick Start Guide or the brand website listed on the Quick Start Guide has detailed information about how to empty it.

DISHWASHER SETTING MENU:

Follow the below instructions to enter into the menu to change your current settings.

Menu	Display Text (if display is present)	LED Pattern (no display)			What this setting does	Default Setting
		PROWASH OR SENSOR	TOUGH OR COOKWARE	NORMAL		
Rinse Aid Level	A		X		Adjust amount of rinse aid dispensed	
Rinse Aid Level sub-menu	A 0	X	X	X	0 mL - rinse aid off	
	A 1	X			1 mL	X
	A 2		X		2 mL	
	A 3	X	X		3 mL	
	A 4			X	4 mL	
	A 5	X		X	5 mL	
	A 6		X	X	6 mL	
Sound Level	S	X	X		Turn sound On and Off	
Sound Level sub-menu	S 1	X			Sound On	X
	S 0		X		Sound Off	
Light in Tub	L			X	Turn the inner light on and off (if present)	
Lights in Tub sub-menu	L 1	X			Light in Tub ON when door is opened	X
	L 0		X		Light in Tub OFF when door is opened	
Kosher Consumer Friendly mode	E	X		X	Turn Kosher Consumer Friendly mode On and Off	
	E 1	X			Turn mode ON	
	E 0		X		Turn mode OFF	X
Factory Reset	r	X	X	X	Factory Reset	

- Press and hold the “Hi Temp” button for 5 seconds until “Hi Temp” and “Dry” lights turn on.
- Press the “Start/Resume” button within 2 seconds. If you do not press Start within 2 seconds, then the display will turn off and you will need to start over and go back to step 1.
 - For Models with a Display, an “A” will show in the display to indicate Rinse Aid Level.
 - For Non-display models, “Tough or Cookware” light will turn on to indicate Rinse Aid Level.
- To go to a feature other than Rinse Aid Level, press the “Cycle” button or “Normal” button (depending on model) to move to the feature you would like to change (Sound Level, Light in Tub, Kosher Friendly, Factory Reset, Rinse Aid Level). See the table for what is shown on the display to indicate these features.
- Press the “Start/Resume” button to select the feature and enter the sub-menu. The display will change to show the current setting of the feature. (For example, if you selected Sound Level and you haven’t changed it before, then S1 will show for display models and sensor will light for non-display models.)
- Press “Cycle” button or “Normal” button (depending on model) to change the value of the feature setting. (For example, if you want to turn the sound off, then press the “Cycle” or “Normal” button and S0 shows on display models or “pots and pans” lights for non-display models.)
- Press the “Start/Resume” button to confirm the new selection. The feature setting will not be changed until the “Start/Resume” button is pressed.

The dishwasher will return to the Off state when the Start button is pressed.

To exit the customer settings menu at any time, press the “Cancel” button, or wait 30 seconds without pressing any buttons.

NOTE: To see the current setting of a feature, follow steps 1-4. When the “Start/Resume” button is pressed in step 4, the dishwasher will show the current setting. Press the “Cancel” button to exit without making any changes.

NOTE: If you enter into a Feature Setting Page and need to go back to the Main Menu Press “Cancel” and proceed to step 1.

NOTE: To exit “Kosher Consumer Friendly Mode” at any time, press the “Cancel” button or you can wait 72 hours.

Kosher Consumer Friendly Mode: When turned on, will disable all of the buttons on the dishwasher except for the cancel key, and disable the light inside the tub (if equipped) for a time period of 75 hours. If this mode is turned on during a cycle, then the status lights at the end of cycle will not turn off when the door is opened and then re-closed. To exit this mode, press the “Cancel” button, or wait 75 hours.

ERROR CODES

ERROR CODES / BLINKING LIGHTS

Issue	Code Shown (7 Seg Display) (if present)	Code Shown on Front Panel LED * (# blinks, Pause, # blinks)	What will happen?	What to do?
Dishwasher fails to operate fill valve correctly	F1E1	1 Pause 1 Pause - pause, repeat	Drain sequence will begin, machine operation will be prevented	Turn off water to unit (if possible). Turn off power to unit. If the water cannot be turned off, DO NOT turn off power and keep door closed. Press Cancel key one time to silence alarm tone. Call service.
Motor controller failure	F1E2	1 Pause 2 Pause, repeat	Cycle ends	Call service
No water present at dishwasher	H2O	8 Pause 1 Pause - pause, repeat	Cycle is paused	Ensure fill hose is connected to product. Ensure water supply is turned ON. Press Start to resume cycle. If alarm still present, call service.
Wash motor failure	F7E2	7 Pause 2 Pause, repeat	Cycle ends	Call service
Dishwasher overfills	F8E4	8 Pause 4 Pause - pause, repeat	Drain sequence will begin, machine operation will be prevented	Turn off water to unit (if possible). Turn off power to unit. If the water cannot be turned off, DO NOT turn off power and keep door closed. Press Cancel key one time to silence alarm tone. Call service.
Fill valve stuck on	F8E5	8 Pause 5 Pause - pause, repeat	Drain sequence will begin, machine operation will be prevented	Turn off water to unit (if possible). Turn off power to unit. If the water cannot be turned off, DO NOT turn off power and keep door closed. Press Cancel key one time to silence alarm tone. Call service.
Dishwasher will not drain	F9E1	9 Pause 1 Pause - pause, repeat	Cycle ends	If drain hose is connected to a garbage disposal, confirm that drain hose is not clogged and disposal plug has been knocked out. If unit still will not drain, call service.
Water present under dishwasher	FAE5	10 Pause 5 Pause - pause, repeat	Cycle ends	Call service.
User interface service communication fault	F6E1	6 Pause 1 Pause - pause, repeat	Product will not able to start or resume cycles	Call service.

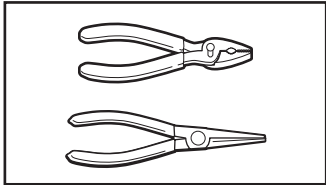
INSTALLATION REQUIREMENTS

TOOLS AND PARTS

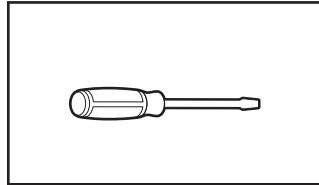
Gather the recommended tools and parts before starting installation. Read and follow the instructions provided with the tools listed here.

All Installations

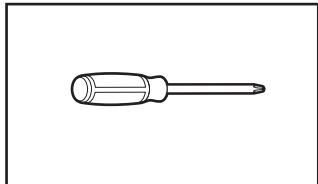
Tools Needed:



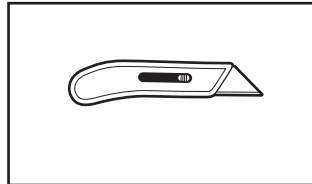
Pliers



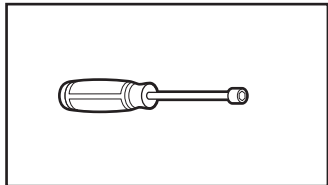
Flat-blade screwdriver



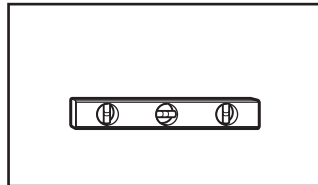
Phillips screwdriver



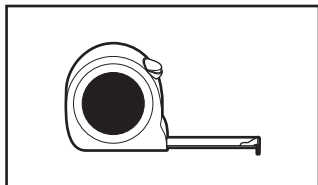
Utility knife



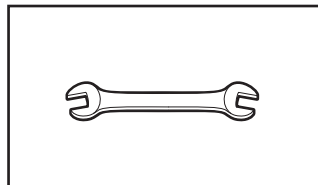
5/16" (7.9 mm) and 1/4" (6.4 mm) nut drivers or hex sockets



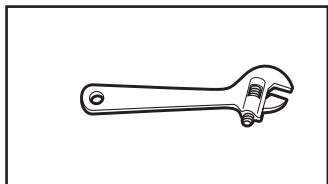
Small level



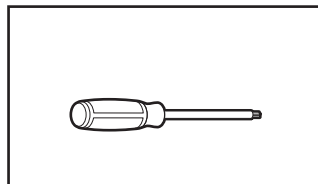
Measuring tape or ruler



5/8" (15.9 mm) open-end wrench

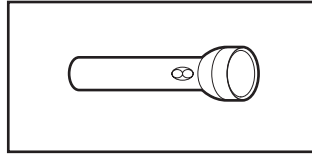


10" adjustable wrench that opens to 1 1/8" (29 mm)

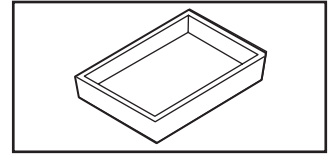


Torx† T20 and, if installing custom front panels, Torx T15 screwdrivers

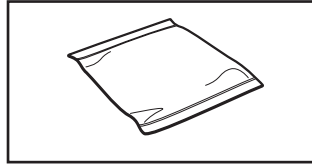
Other Useful Items You May Need:



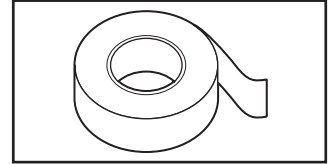
Flashlight



Shallow pan

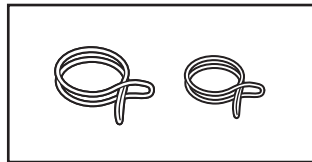


Bath towel

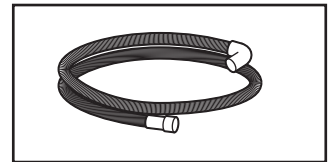


Masking, or duct tape

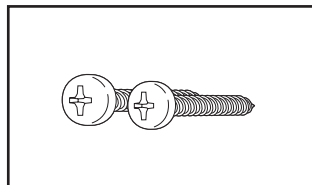
Parts Supplied:



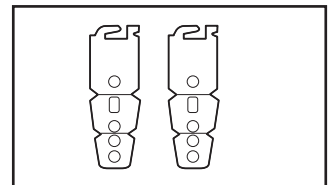
Drain hose clamps (2)
(1 large/red and 1 small/silver)



Drain hose

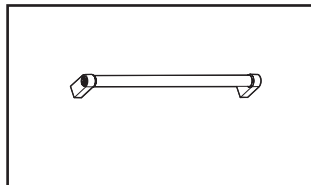


#8 x 1/2" (12.7 mm) Phillips-head screws (2)



Undercounter mounting brackets (2)

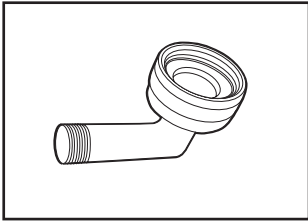
Make sure all parts are included in the literature package.



Door handle (on some models)

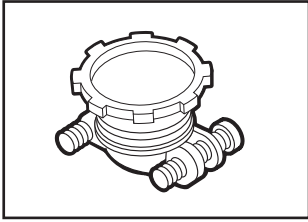
†TORX, T15, and T20 are trademarks of Acument Intellectual Properties, LLC.

Other Parts Needed (not provided):



3/8" (9.5 mm) Compression x 3/4" (19 mm) Hose Fitting with rubber seal and 90° elbow (required to properly connect household water line to the dishwasher.)

Part no: W10685193

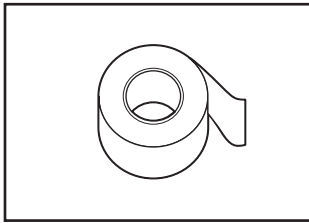


Household Wiring (Metallic) Strain Relief to fit 7/8" (22 mm) hole (required to properly secure household wiring to the dishwasher terminal box.)

Part no: 4396672

NOTE: Use only UL Listed/ CSA Approved parts.

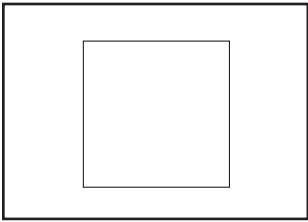
Optional Accessory Parts Available:



Moisture Barrier Tape

NOTE: Moisture barrier tape is an optional, added level of protection if installing a dishwasher under a wooden countertop. Recommended but not required for wooden countertop.

Part no: 4396277



Side Panel Kit

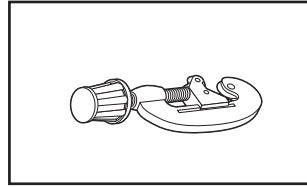
For enclosing the side of the dishwasher when installing it at the end of your cabinetry (Whirlpool part number varies with color).

Call us at our toll-free number or visit the brand website listed in the Quick Start Guide for accessory and part information.

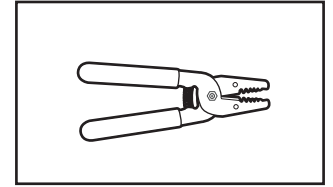
First-Time Installations

Check local codes. Check existing electrical supply. See the "Electrical Requirements" section. It is recommended that electrical connections be made by a licensed electrical installer.

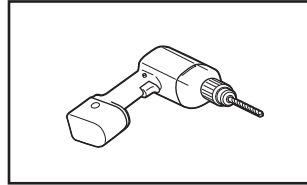
Additional Tools Needed:



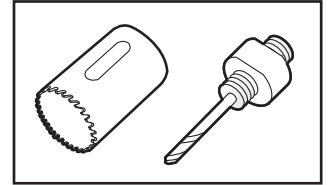
Small tubing cutter



Wire stripper

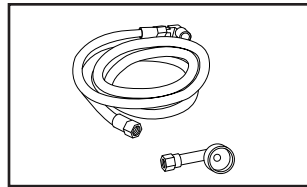


Cordless drill



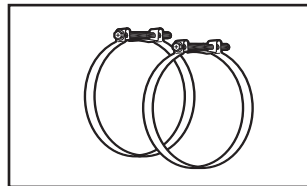
1/2" (12.7 mm), 3/4" (19 mm), and 1 1/2" (38 mm) hole saw bits

Additional Parts Needed (not provided):

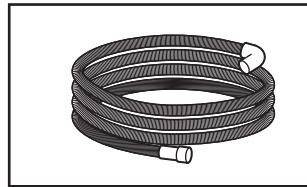


Copper Tubing (3/8" O.D. suggested) or Flexible Braided Water Supply Line Kit. Kit includes braided hose and 3/8" compression x 3/4" hose fitting.

Part no: W10278635RP



Screw-Type Clamps 1 1/2" - 2" (38 mm - 50 mm) (3 maximum)



Optional-Longer Drain Hose (Maximum length 12 ft (3.7 m))

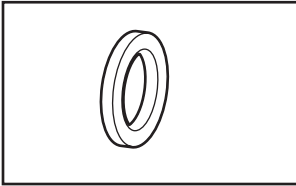
NOTE: Must meet AHAM/ IAPMO test standards, fit 1" (25 mm) drain connection, and be resistant to heat and detergent.

Part no: W11381654

NOTE: If using a flexible braided hose, replace inlet hose after 5 years to reduce the risk of hose failure. Record hose installation or replacement dates on the hose for future reference.

NOTE: Be sure to purchase only Whirlpool factory-certified parts and accessories for your appliance. Your installation may require additional parts. To order, refer to the contact information referenced in your Quick Start Guide.

For Direct Wire

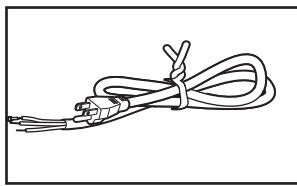
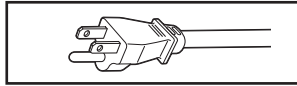


Cabinet Grommet

For 1½" (38 mm) hole in cabinet.

NOTE: Required for metal cabinets

For Power Cord



Power Cord Kit

Kit typically includes power cord, metallic strain relief, grommet.

(Whirlpool Part Number

Cord Kit - Straight - W11365011

Cord Kit - Right Angle - W11365014)

Call us at our toll-free number or visit the brand website listed in the Quick Start Guide for accessory and part information.

NOTE: Be sure to purchase only Whirlpool factory-certified parts and accessories for your appliance. Your installation may require additional parts. To order, refer to the contact information referenced in your Quick Start Guide.

LOCATION REQUIREMENTS

Dishwasher must be fully enclosed (top, sides, back, and floor) upon installation. A side panel kit is available from your dealer for installing your dishwasher at the end of your cabinetry.

An optional moisture barrier accessory is also available for installing underneath a wooden countertop.

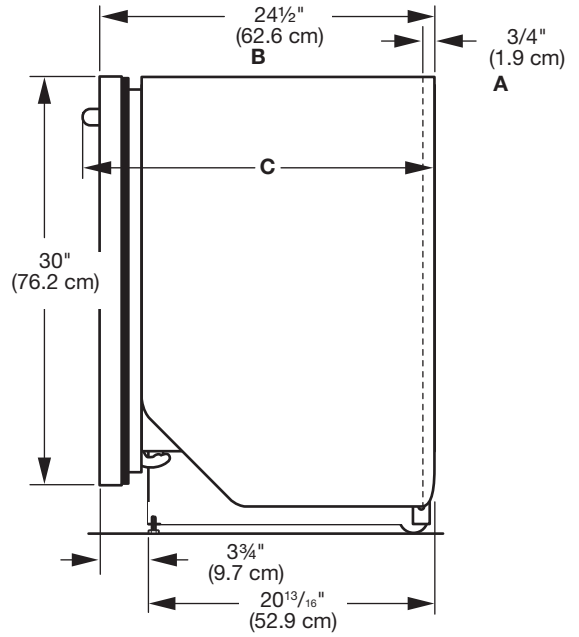
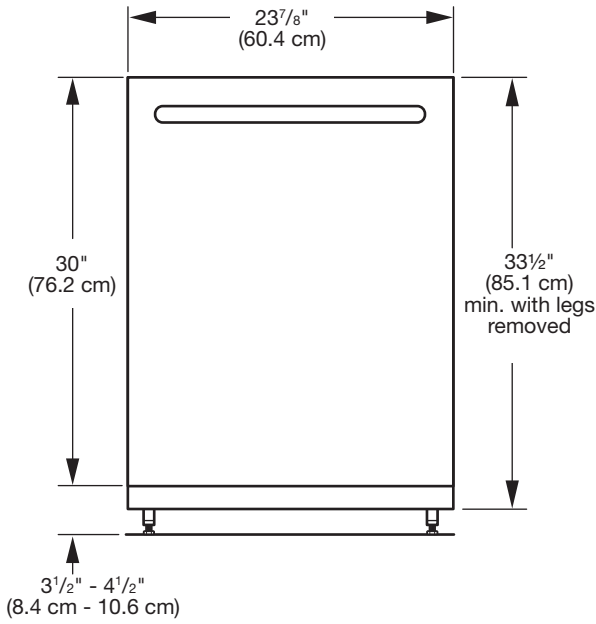
Check location where dishwasher will be installed. The location must provide:

- Convenient access for loading and unloading dishes. Corner locations require a 2" (5.1 cm) minimum clearance between the side of the dishwasher door and the wall or cabinet.
- Easy access to water, electricity, and drain:
 - Grounded electrical supply is required.
 - This dishwasher has a water heating feature and also requires a connection to a hot water supply line.
 - Make sure pipes, wires and drain hose are within the shaded area shown in the "Product and Cabinet Opening Dimensions" section.
 - Do not run drain lines, water lines, or electrical wiring where they can interfere with or contact dishwasher motor or legs.
 - Shelter dishwasher and water lines leading to dishwasher against freezing. Damage from freezing is not covered by the warranty.

NOTE: If dishwasher will be left unused for a period of time or in a location where it may be subject to freezing, have it winterized by authorized service personnel.

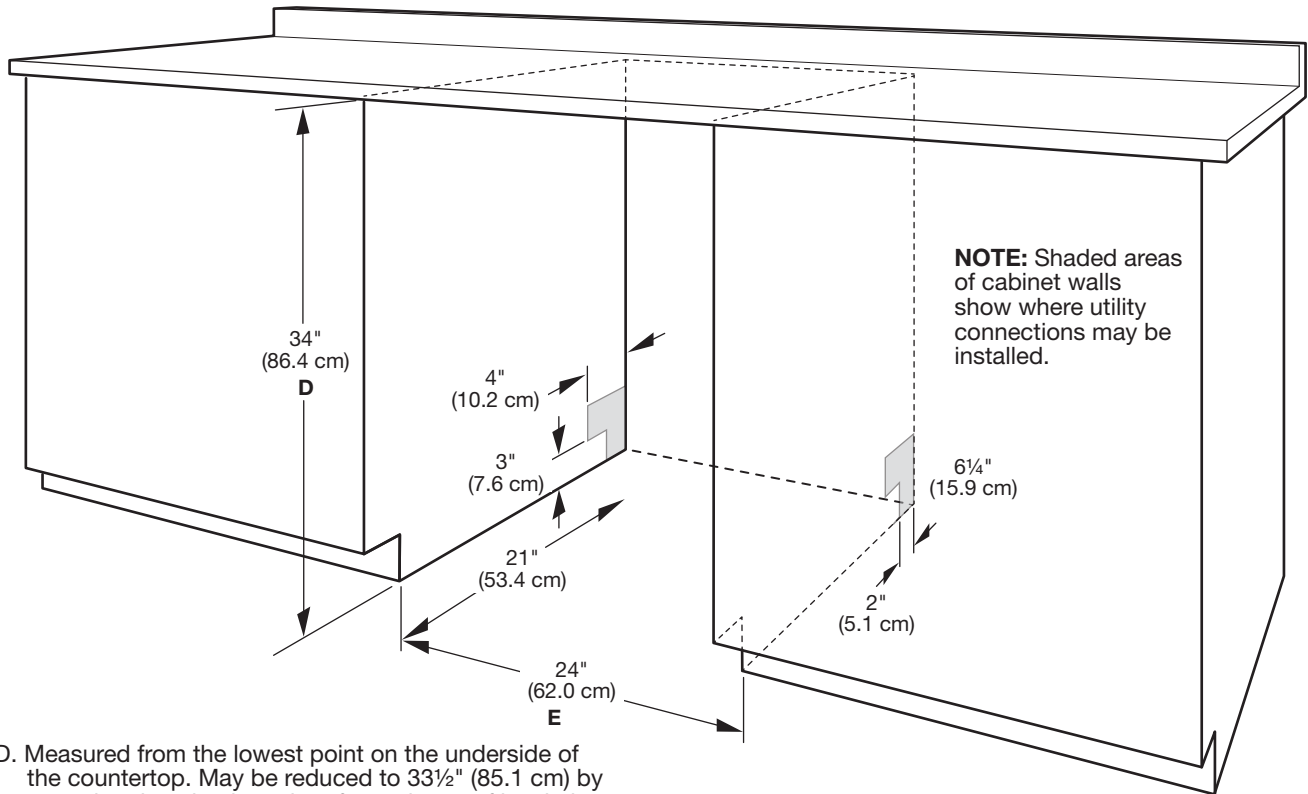
- If installed in new construction, flush the water supply line of debris before connecting it to the fill valve. If it is not flushed, debris from the water supply could plug the fill valve screen.
- A square opening for proper operation and appearance.
- The cabinet front to be perpendicular to floor.
- Level floor.
 - Helpful Tip:** If floor at front of opening is not level with floor at rear of opening, shims may be used to level dishwasher.
 - NOTE:** To avoid shifting during dishwasher operation, shims must be securely attached to the floor.
- The location where the dishwasher will be installed must provide clearance between motor and flooring. Motor should not touch the floor.
- Do not install dishwasher over carpeted flooring.

PRODUCT AND CABINET OPENING DIMENSIONS:



- A. Insulation may be compressed (not used on all models).
- B. For panel-ready models, dishwasher depth is 24" (61.0 cm), not including the 3/4" (1.9 cm) custom door panel.
- C. Door handles may protrude forward of the face of the dishwasher, varies by model.

Check that all surfaces have no protrusions that would prohibit dishwasher installation.



NOTE: Shaded areas of cabinet walls show where utility connections may be installed.

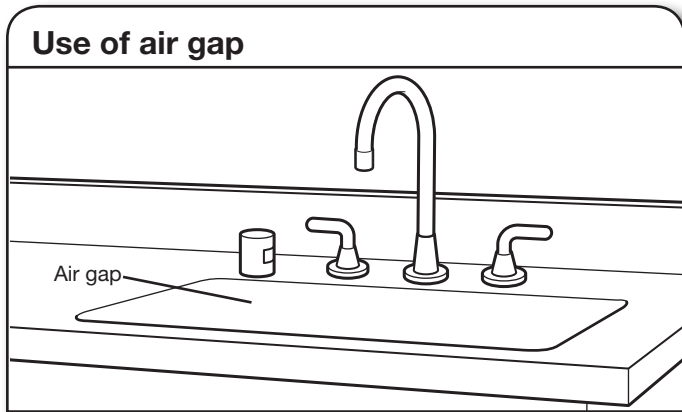
- D. Measured from the lowest point on the underside of the countertop. May be reduced to 33 ¹/₂" (85.1 cm) by removing the wheels and perforated area of insulation (blanket) on dishwasher.
- E. Minimum, measured from narrowest point of opening.

DRAIN REQUIREMENTS

- A new drain hose is supplied with your dishwasher. If drain hose is not long enough, use a new drain hose with a maximum length of 12 ft (3.7 m) that meets all current AHAM/IAPMO test standards, is resistant to heat and detergent, and fits the 1" (2.5 cm) drain connector of the dishwasher.

NOTE: Do not connect multiple drain hoses together.

- Make sure to connect drain hose to waste tee or disposer inlet above drain trap in house plumbing and 20" (50.8 cm) minimum above the floor. It is recommended that the drain hose either be looped up and securely fastened to the underside of the counter or be connected to an air gap.
- Make sure to use an air gap if the drain hose is connected to house plumbing lower than 20" (50.8 cm) above subfloor or floor.



- If required, the air gap should be installed in accordance with the air gap installation instructions. When you are connecting the air gap, a rubber hose (not provided) will be needed to connect to the waste tee or disposer inlet.
- Use 1/2" (1.3 cm) minimum I.D. drain line fittings.

WATER SUPPLY REQUIREMENTS

- This dishwasher has a water heating feature and also requires a connection to a hot water supply line.
- A hot water line with 20 psi to 120 psi (138 kPa to 862 kPa) water pressure can be verified by a licensed plumber.
- 120°F (49°C) water at dishwasher.
- 3/8" (0.95 cm) O.D. copper tubing with compression fitting or flexible braided water supply line.

NOTE: 1/2" (1.3 cm) minimum plastic tubing is not recommended.

- A 90° elbow with 3/4" (0.95 cm) hose connection with rubber washer.
- Do not solder within 6" (15.2 cm) of the water inlet valve.
- If installed in new construction, make sure the house water supply lines have been flushed prior to connecting the dishwasher to remove any debris that may exist in the supply line.

NOTE: If replacing an existing dishwasher, it is recommended to install a new water line and drain hose (supplied) with the new dishwasher.

ELECTRICAL REQUIREMENTS

Be sure that the electrical connection and wire size are adequate and in conformance with the National Electrical Code, ANSI/NFPA 70 - latest edition, and all local codes and ordinances.

A copy of the above code standards can be obtained from:

National Fire Protection Association
1 Batterymarch Park
Quincy, MA 02169-7471

You Must Have:

- 120 V, 60 Hz, AC only, 15 A or 20 A, fused electrical supply
- Copper wire only
- A maximum of 2 field wiring supply conductors (12 AWG largest size) plus 1 grounding conductor are permitted in the terminal box.

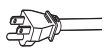
We Recommend:

- A time-delay fuse or circuit breaker.



Circuit Requirements:

- The dishwasher may be installed on the same circuit as a garbage disposal providing that the branch circuit cannot exceed rated circuit load and must comply with all governing codes and regulations such as but not limited to National Electrical Code, ANSI/NFPA 70 - latest edition.
- No electrical connections other than the dishwasher power and ground connections can be made inside of the dishwasher terminal box.

If connecting dishwasher with a power supply cord:

- Use UL Listed power cord kit marked for use with dishwasher. 
- Plug into a grounded 3 prong outlet. Outlet must meet all local codes and ordinances.

If connecting dishwasher with direct wiring:

- Use flexible, armored, or nonmetallic sheathed copper wire with grounding wire that meets the wiring requirements for your home and local codes and ordinances. 
- Use a UL Listed/CSA Approved metallic strain relief. 

INSTALLATION INSTRUCTIONS

⚠ WARNING



Electrical Shock Hazard

Disconnect electrical power at the fuse box or circuit breaker box before installing dishwasher.

Failure to do so can result in death or electrical shock.

STEP 1:

Video of installation steps can be found online at whirlpool.com in the "Service & Support" section "How To's & FAQ."

2. Disconnect power

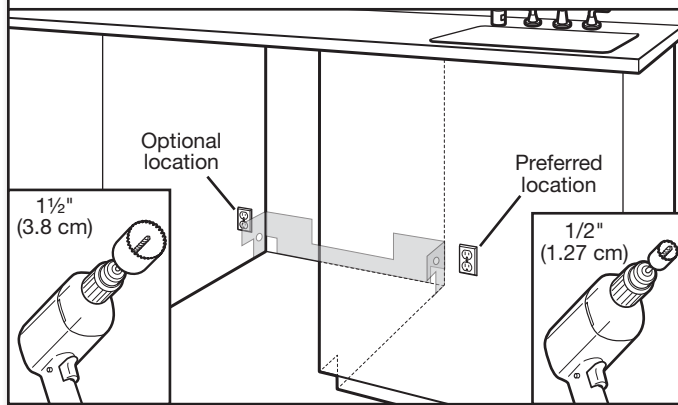
Disconnect electrical power at the fuse box or circuit breaker box before installing dishwasher.

3. Shut off water supply

Shut off the water supply to the dishwasher.

PREPARE CABINET OPENING— NEW UTILITIES

4. Drill hole locations—new construction



The power-supply receptacle for the appliance shall be installed in a cabinet or on a wall adjacent to the undercounter space in which the appliance is to be installed.

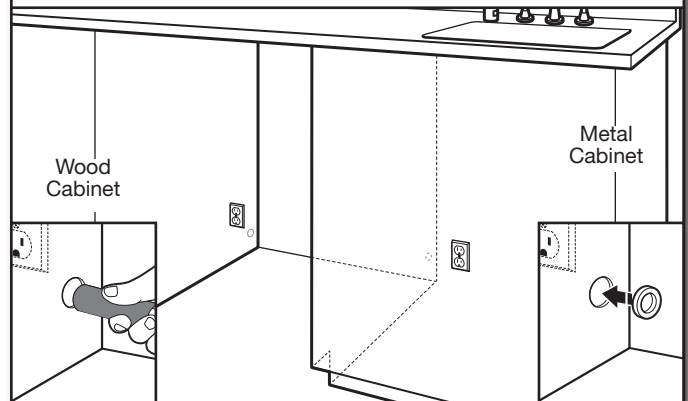
NOTE: Refer to the "Product and Cabinet Opening Dimensions" section for the correct hole placement and dimensions of the shaded area.

Drill a 1 1/2" (3.8 cm) drain hose hole in the side or rear of cabinet, depending on location of drain hose routing and drain hose connection location.

Drill a 1/2" (1.27 cm) water supply hose hole in the side or rear of cabinet, depending on location of water supply routing and connection location.

Drill a 1 1/2" (3.8 cm) electrical conduit hole in the right-hand side or rear of cabinet.

1. Sand holes smooth



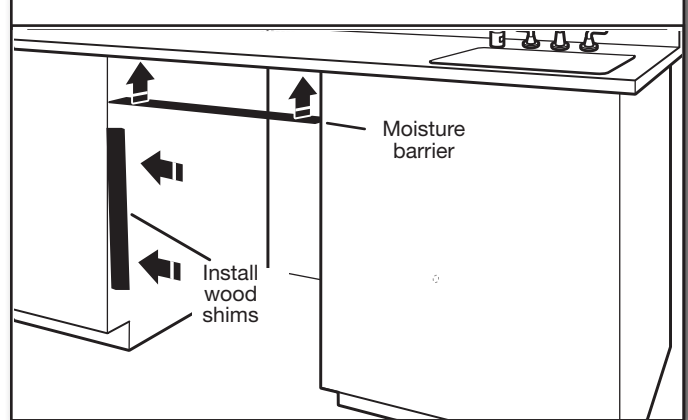
Wood cabinet: Sand the hole until smooth.

Metal cabinet: Cover edges of hole with grommet included with power cord kit.

Helpful Tip: Wiring the dishwasher will be easier if you route the cable into the cabinet opening from the right-hand side.

INSTALL OPTIONAL MOISTURE BARRIER - RECOMMENDED FOR WOOD COUNTERTOPS

Moisture barrier/wood shims

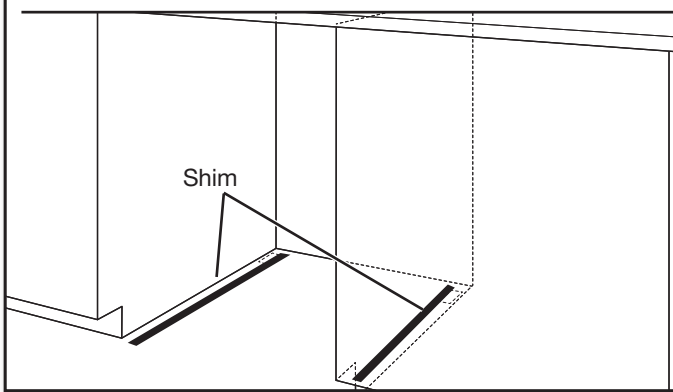


Make sure the area under the cabinet is clean and dry for installation of the moisture barrier. Remove the backing of the moisture barrier, and apply to underside of the countertop along the front edge of the counter.

NOTE: The use of this moisture barrier is recommended but not required.

NOTE: Install wood shims if side anchoring and the gap between the sides of the cabinet and sides of the dishwasher are greater than 1/2" (1.27 cm) on each side or are greater than the length of the side anchor screws.

5. Built-up floors – add shims as needed

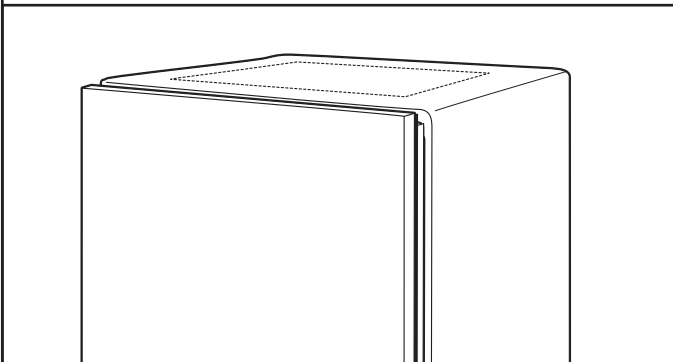


Note: The wood runners that come with the shipping base work well for shims.

Built-up floors: If the kitchen floor is higher than the cabinet opening's floor - for example, the kitchen floor tile does not extend into the cabinet opening - add shims, as needed, in the area shown to bring cabinet floor up to same level as the kitchen floor.

NOTE: Shims must be securely attached to floor to avoid movement when the dishwasher is in use.

6. If installing into a 33½" (85.1 cm) opening

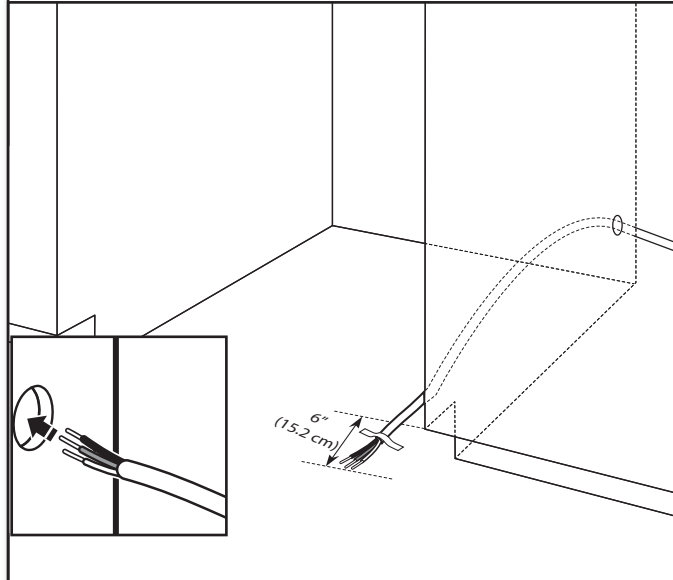


Cut insulation blanket along perforation for cabinet opening height of 33½" (85.1 cm). For other cabinet opening heights, do not cut the insulation blanket.

ELECTRICAL CONNECTION

- For Direct Wire, begin with Step 7
- For Power Cord, wait until Step 18

7. Direct wire – route cable



If installing with direct wire, route the cable as shown. Do not connect the wire to the product at this time. This connection will be made later, after the unit is installed into the cabinet opening.

Route cable from power supply through cabinet hole. (Cable must extend to the right front side of cabinet opening.) Tape cable to the floor in area shown. This will prohibit cable from moving when dishwasher is moved into cabinet opening.

PREPARE DISHWASHER

! WARNING



Tip Over Hazard

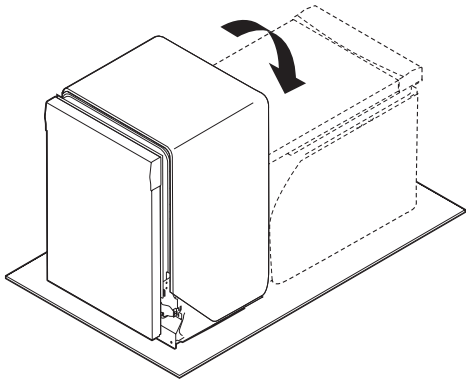
Do not use dishwasher until completely installed.
Do not push down on open door.
Doing so can result in serious injury or cuts.

! WARNING

Excessive Weight Hazard

Use two or more people to move and install dishwasher.
Failure to do so can result in back or other injury.

8. Put the dishwasher on its back



Helpful Tip: Remove all internal shipping material, drain hose, installation kit, and handle (if included,) before laying on it's back, and not to remove film on the door at this time.

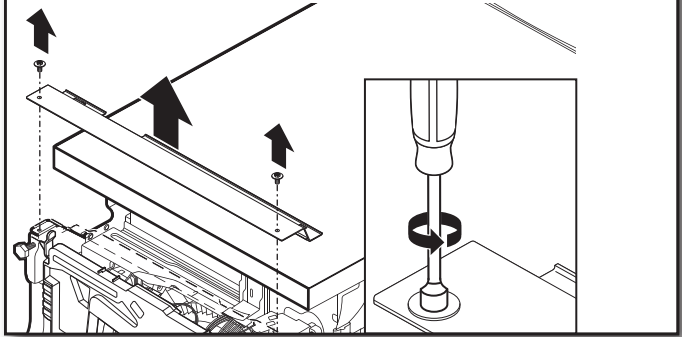
Place cardboard under dishwasher until installed in cabinet opening to avoid damaging floor covering.

Using two or more people, grasp sides of dishwasher door frame, and place the dishwasher on its back.

Do not use the door panel as a worktable without first covering it with a towel to avoid scratching the door panel.

REMOVE ACCESS PANEL AND INSULATION

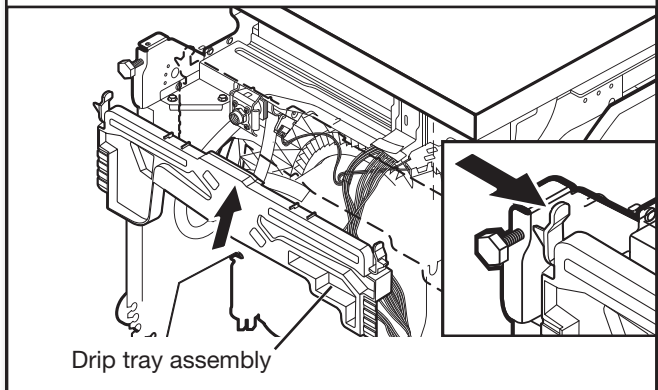
9. Remove access panels



Using a 5/16" (7.9 mm) nut driver, remove the two screws attaching access panels to dishwasher. Once the screws are removed push the access panel toward the top of the project to unhook it and then remove it.

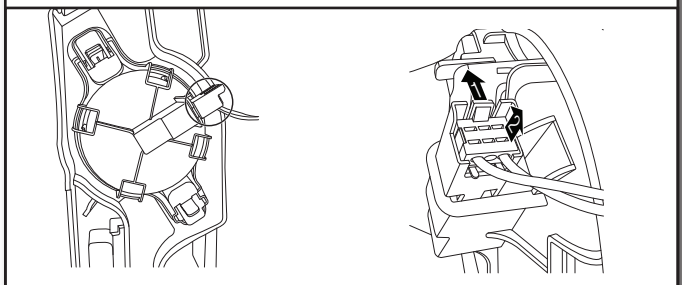
DISCONNECT AND REMOVE DRIP TRAY ASSEMBLY

10a. Remove drip tray assembly



To remove the drip tray assembly, press the snap at each side of the plastic tray in toward the center of the product and pull toward yourself. Take caution not to pull too far or too hard as the float switch wire is still connected at this time.

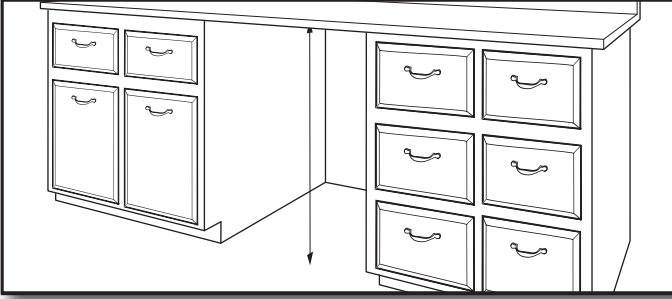
10b. Remove float switch wire



To remove the float switch wire, gently push the connector latch tab (1) and then pull the connector (2) out of the housing. The float itself should not be removed from the tray.

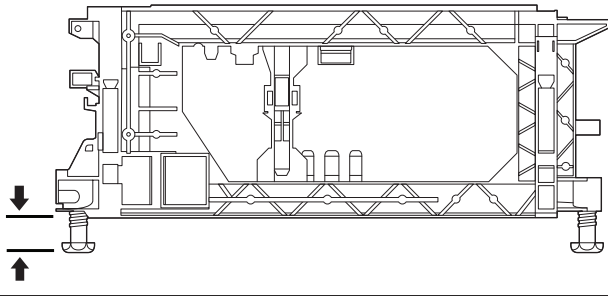
NOTE: Not to install drip tray until instructed.

11. Measure cabinet opening



Measure the height of cabinet opening from the underside of the countertop to the floor where the dishwasher will be installed. Be sure to measure the lowest point on the underside of the countertop and the highest point on the floor.

Leveling leg adjustment



Use wrench to initially loosen leveling legs if needed.

Adjust all four leveling legs to the same height by rotating each foot clockwise or counterclockwise as needed.

The unit comes with the legs set for a 33½" (85.1 cm) height installation. If your opening height is 34½" (87.6 cm), you would therefore need to lower all four legs by 1" (2.54 cm).

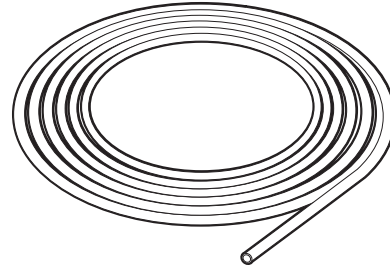
NOTE: Adjust rear leg height first before moving unit into the cut out.

Legs can be removed if necessary for tight installations.

CONNECT WATER LINE TO FILL VALVE

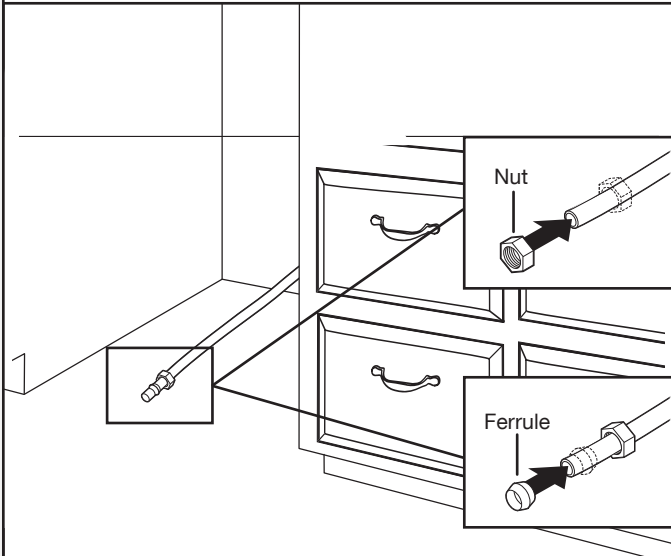
- For Copper line, begin with Step 12
- For Flexible line, begin with Step 14

12. Copper Water Line



If using copper tubing, measure overall length of copper tubing required to reach the water supply, cut to length, and attach with compression fittings.

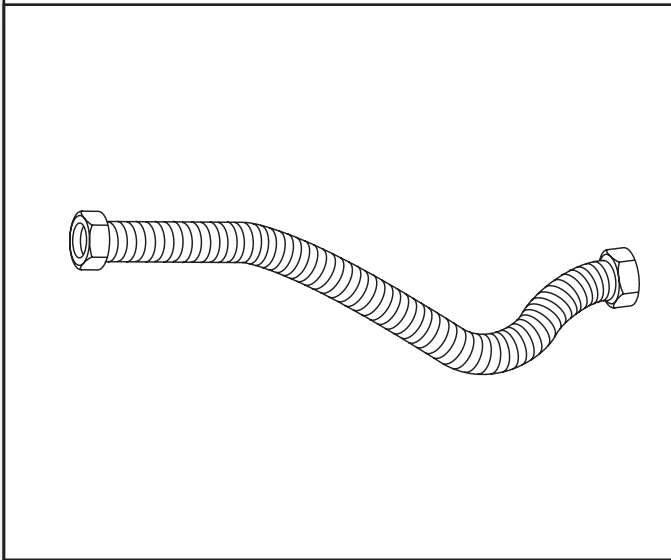
13. Slide nut and ferrule onto tubing (copper tubing only)



Copper tubing only: Put the tubing into the 90° elbow fitting as far as it will go. (The copper tubing bends and kinks easily.) Push the nut and ferrule forward and tighten it, so that it sits right up against elbow threads.

NOTE: To avoid vibration during operation, route the water supply line so that it does not touch the dishwasher base, frame, or motor. If using copper tubing, skip step 14 and go to 15.

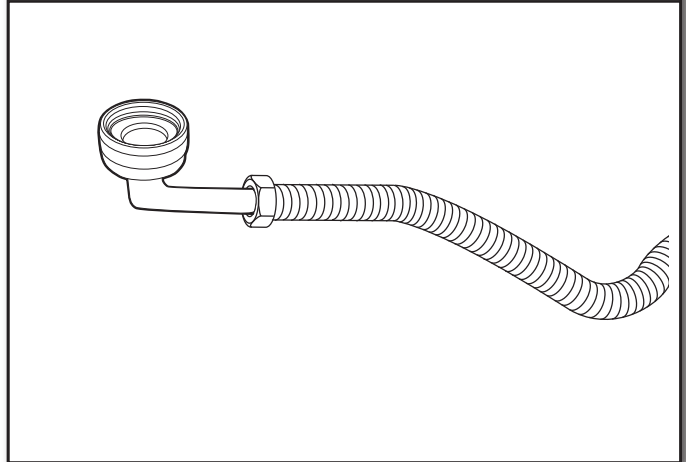
14. Flexible line



Flexible braided line: Confirm the flexible braided line is long enough.

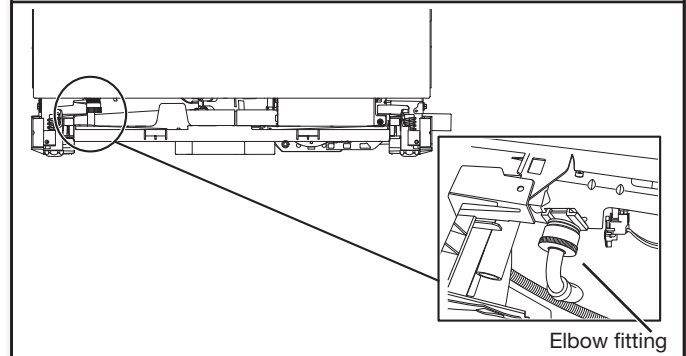
Get 3/8" compression x 3/4" hose fitting with 90° elbow. Connect the 3/8" compression fitting of the 90° elbow fitting to the water supply line. Attach such that the 3/4" connection is facing upward as shown above.

15. Add 90° elbow fitting to the water supply line



CONNECT FILL HOSE TO FILL VALVE

16. Tighten 90° elbow fitting to valve



Be sure rubber washer is properly seated in fitting. Slide the 3/4" (19 mm) fitting of the 90° elbow up to the valve and hand tighten it to avoid cross-threading. Hand tighten until the coupling is tight.

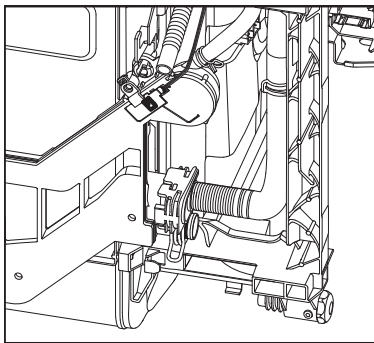
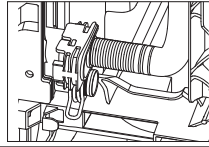
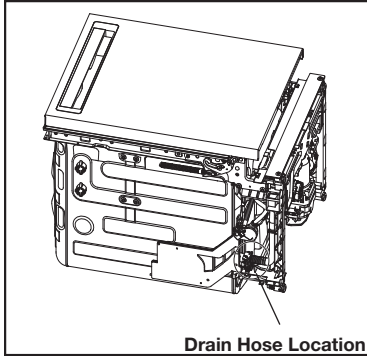
Using pliers, check the tightness of the coupling. An additional 1/4 to 1/2 turn may be required to seal the rubber gasket. Route fill hose out the rear left side of unit.

NOTES:

- Do not use tape with compression fittings.
- Do not over-tighten. Damage to the coupling can result.
- Route water supply line out rear of unit before setting unit up.

DRAIN HOSE CONNECTION

17. Connect drain hose



Put provided silver clamp over elbow end of drain hose. Then push the hose onto the drain port with the hose facing underneath the dishwasher. Using pliers squeeze, open the drain hose clamp and slide it over the elbow to ensure hose is attached in place. Route the hose out of the back of the product.

NOTE:

- If the hose is installed with the rubber elbow facing out, the drain hose may become kinked causing slow or incomplete draining in tight cabinet installations.
- There may be a plastic plug in the drain port for shipping purposes where you will connect the drain hose. Remove this plug before installing drain hose, if present.

POWER CORD CONNECTION

⚠ WARNING



Electrical Shock Hazard

Plug into a grounded 3 prong outlet.

Do not remove ground prong.

Do not use an adapter.

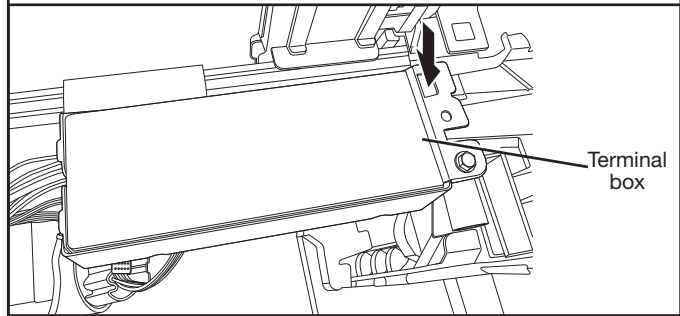
Do not use an extension cord.

Failure to follow these instructions can result in death, fire, or electrical shock.

If installing product using a Power Cord.

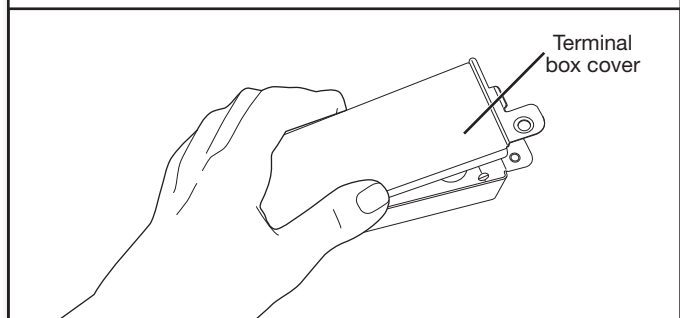
NOTE: Route drain hose out the back of unit before standing unit upright. Proceed to Step 18. If installing a product with direct wiring, wait until after Step 44 when the unit has been installed in the cabinet opening.

18. Remove terminal box



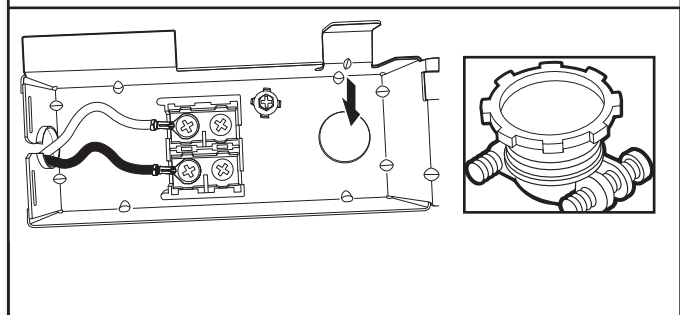
To remove the terminal box, depress the plastic latch, slide the box toward the left of the unit along the metal tube and rotate the left side of the box forward. Make sure that the product wiring will still be attached within the terminal box.

19. Remove terminal box cover



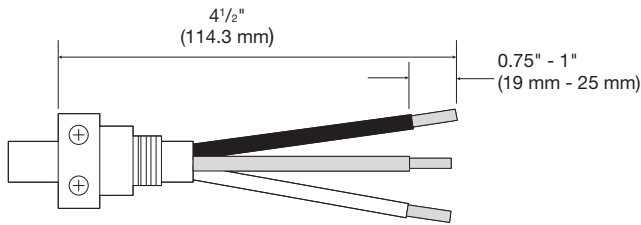
Using 1/4" (6.4 mm) nut driver remove the screw holding the terminal box cover. Remove the cover by lifting it out of the box. Keep the cover for later use.

20. Install strain relief



Install a UL Listed/CSA Approved metallic strain relief. Make sure screw heads are facing up when tightening conduit nut. Strain relief is provided with the power cord kit.

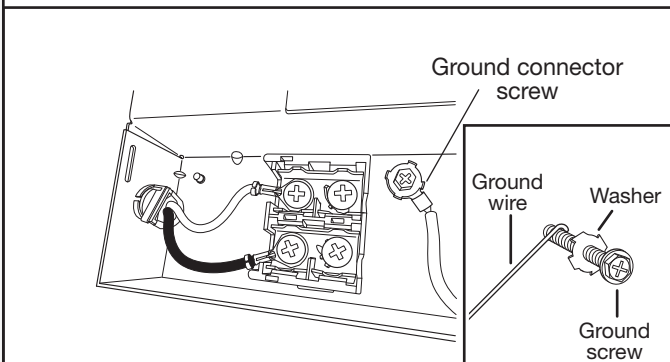
Suggested wire length relative to strain relief



Wiring configuration

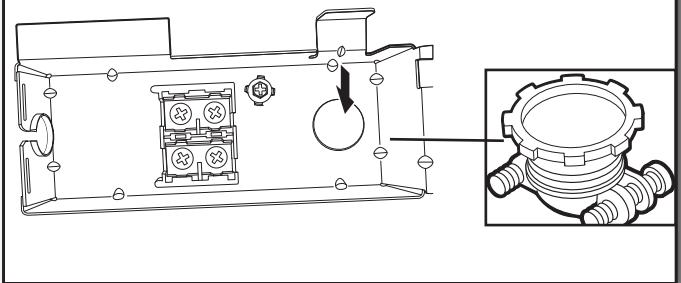
Power supply wire:	↔	Terminal box wire:
white		white
black		black
ground wire		ground connector

21. Connect ground wire



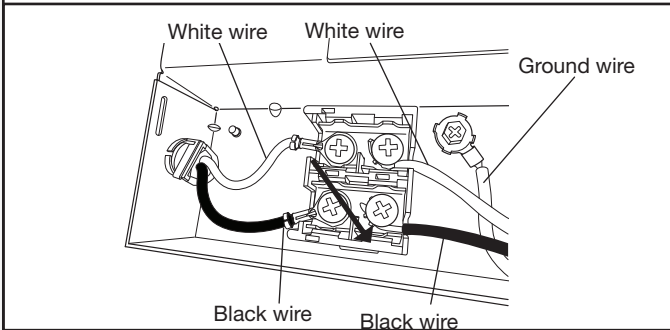
Route power cord through strain relief in the back of the terminal box. Remove the ground connector screw on the raised floor inside the box and place it through the ring terminal of the green ground wire of power cord. Reattach and tighten the ground connector screw to the raised floor of the box.

23. Secure cord or wire on strain relief



Tighten strain relief screws to secure cord.

22. Connect remaining wires



Select UL Listed/CSA Approved power cord for the Dishwasher.

Power Cord Kit

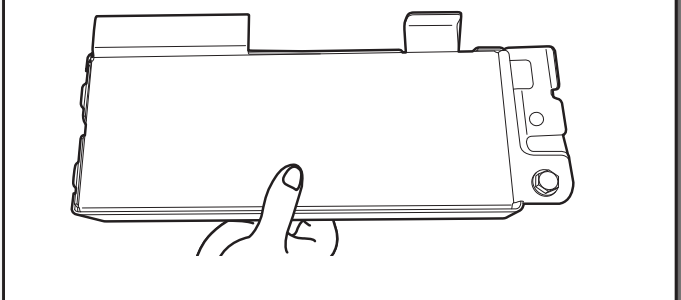
Kit typically includes power cord, metallic strain relief, grommet. (Whirlpool Part Number Cord Kit - Straight - W11365011 Cord Kit - Right Angle - W11365014)

To connect wires with ring terminals, remove the screws from the terminal block, place the screw through the ring terminals, and reattach screws back into the terminal block.

To connect wires without ring terminals, remove the screws from the terminal block, push the wire ends under the screw heads, and tighten the screws.

NOTE: Pre-tinned wires should not be used when connecting to the terminal block.

24. Reinstall terminal box cover and wires



Place wires inside terminal box. Replace the cover by inserting the hooks of the terminal cover into the slots in the floor of the terminal box and sliding the cover tight against the back wall where wires come in. Make sure wires are tucked inside the box and not pinched by the cover.

Put the terminal box back on the crossbar and push to the right so terminal box snaps into the plastic side member.

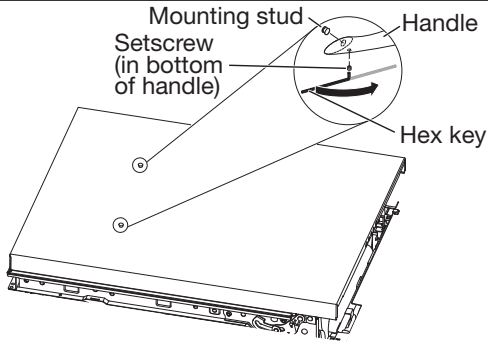
NOTES:

- Once the terminal box has been remounted on the dishwasher, tuck any excess length or slack over nearby components to help keep them off the floor.
- Route cord out the rear of the dishwasher so that it does not touch dishwasher motor or lower part of dishwasher tub.
- Do not plug cord into an outlet until instructed to do so.
- A maximum of 2 power cord supply conductors (12 AWG largest size) plus 1 grounding conductor are permitted in the terminal box.

IMPORTANT: NO ADDITIONAL CONNECTIONS OTHER THAN DISHWASHER POWER CONNECTION ARE TO BE MADE INSIDE THE DISHWASHER TERMINAL BOX.

INSTALL DOOR HANDLE (ON SOME MODELS)

25. Install door handle



IMPORTANT: Do not scratch the front panel during this procedure. If door panel has a protective film, peel film back past the point of the handle studs before installing handle. Handle is easiest to install while unit is on its back.

Remove the door handle and hex key from the packaging. Setscrews are already installed in the handle. Place handle on mounting studs with the setscrews facing down. Push the door handle tightly against the door. Insert the short end of the hex key into the setscrews. Tighten the setscrews 1/4 turn past snug.

Retain hex key with Installation Instructions.

PLACE DISHWASHER IN CABINET

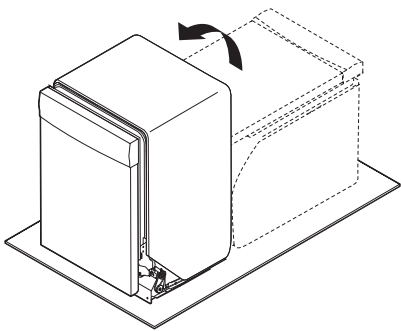
WARNING

Excessive Weight Hazard

Use two or more people to move and install dishwasher.

Failure to do so can result in back or other injury.

26. Stand dishwasher upright



Using two or more people, stand the dishwasher up.

NOTE: Do not install kick plate until instructed to do so.

Dishwasher may fit tightly into cabinet opening. Do not remove insulation blanket—the blanket reduces the sound level.

IMPORTANT: Do not kink or pinch water line, drain hose, power cord, or direct wire between dishwasher and cabinet. Remove cardboard from under dishwasher (if used).

Install Foam Side Shields (on some models)

Install the foam side shields on both the right and left sides of the dishwasher. There are three attachment points on each side.

- Attachment 1: Locate the slit on the side shield and attach it to the hook on the side of the dishwasher. (See figure 1)

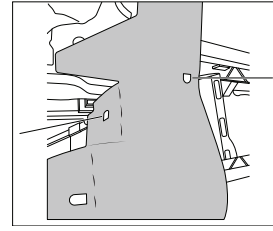


Figure: 1

- Attachment 2: Use the other slit on the side shield and attach it to the hook on the front of the dishwasher. (See figure 2)

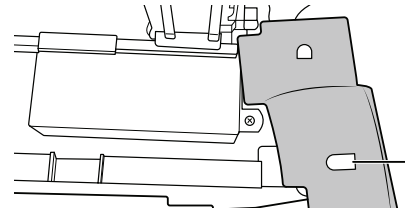


Figure: 2

- Attachment 3: Align the rectangular hold in the side shield with the toe panel screw hole. Insert the Toe Panel Screw (see figure 3) and Loosely tighten it to hold it in place until the Toe Panel is installed.

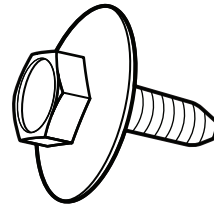


Figure: 3

- Tuck the lower ends of the side shields under the dishwasher. (See figures 4 and 5)

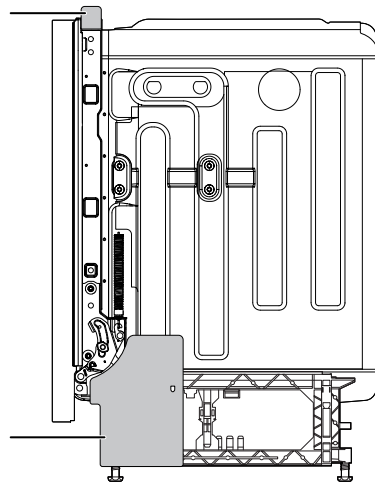


Figure: 4

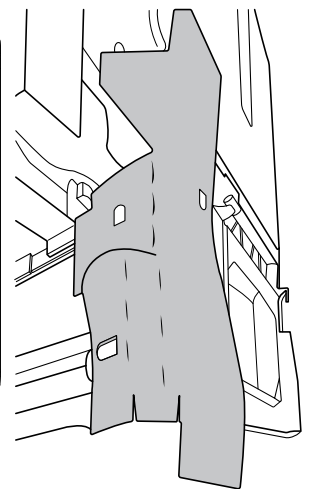
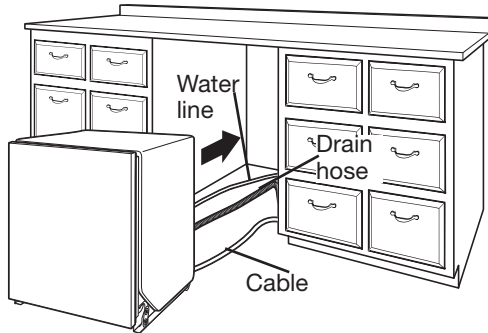


Figure: 5

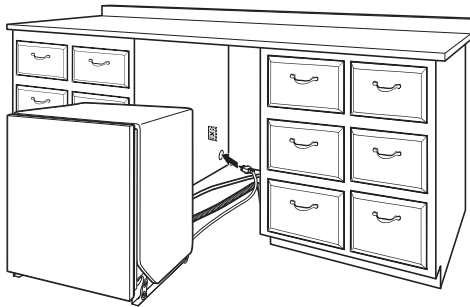
NOTE: Route water supply, drain hose, and power cord out the rear of the dishwasher. If your product has insulation around the bottom, route these lines through the slits in that insulation in the rear of the product.

27. Move dishwasher close to cabinet opening



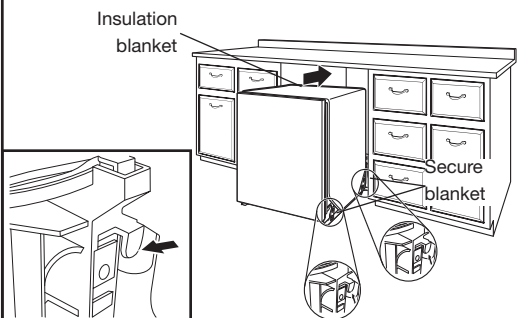
Route the utilities through the holes in the cabinet, and pull the slack out at the same time as the dishwasher is pushed into the cabinet.

28. Route power cord



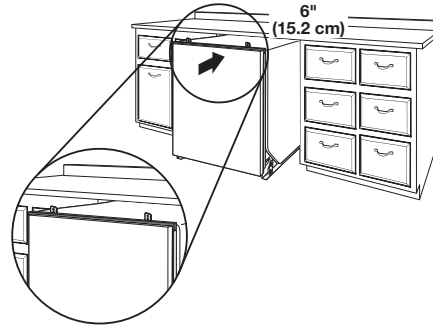
If using a power cord, make sure to route the end through hole in cutout before sliding dishwasher into the cabinet opening.

29. Secure insulation blanket



NOTE: Make sure insulation blanket is secured at both left and right rear corners before pushing into cabinet opening to keep the blanket from bunching up in a tight fitting cabinet. The blanket can be secured by pulling the insulation down toward the bottom of the product and ensuring the hooks on the side members grab onto the slots in the insulation blanket.

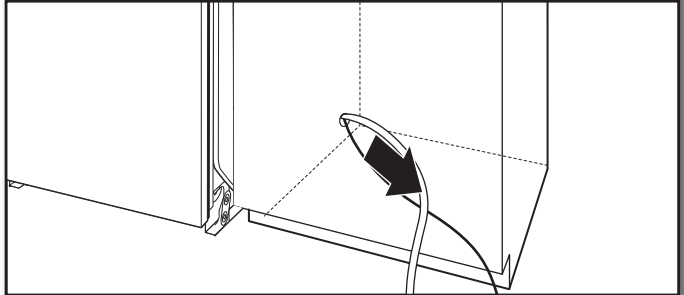
30. Move dishwasher all but 6" (15.2 cm) into cabinet opening



- Place Top Foam Sound Insulation (on some models)
 - Snug the top foam into the slot on the top collar of the dishwasher as shown in the figure.

NOTE: Leave unit about 6" (15.2 cm) out from cabinet in order to install anchor brackets.

31. Pull slack from utilities



NOTE: Pull slack out of utilities at the same time the dishwasher is pushed into the cabinet opening to avoid any kinks.

CUSTOM PANEL INSTALLATION (CUSTOM PANEL MODELS ONLY)

For custom panel installation, refer to the Custom Panel Installation Instruction Sheet included in the literature package. Complete custom panel installation before proceeding to the "Choose Anchor Attachment Method" section.

CHOOSE ANCHOR ATTACHMENT METHOD

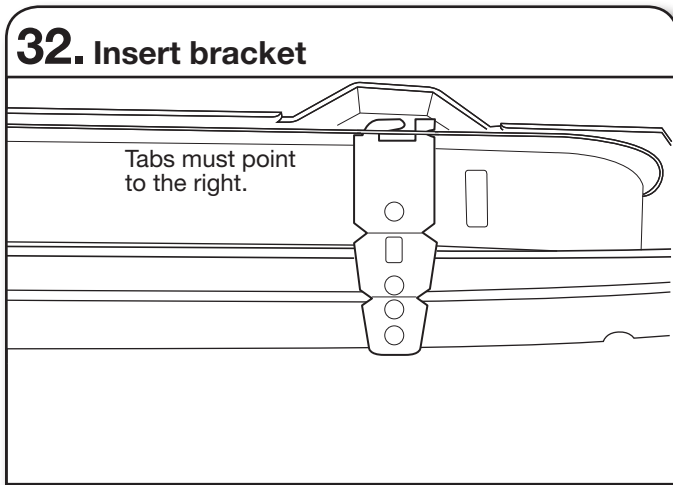
IMPORTANT: The dishwasher must be secured to the cabinet as one of the final steps. Prepare the dishwasher for this by attaching the 2 brackets found in the parts bag to the dishwasher.

- For countertops that are wood, laminate or another similar surface: use Countertop Attachment and go to Step 32.
- For countertops that are marble, granite, or another hard surface: use Side Attachment and go to Step 33.

NOTE: If the gap between the top of the door and the underside of the counter top is tight (less than 1/4" [6.35 mm]), we suggest using Side Attachment to keep from scratching the User Interface or console with the anchor screws.

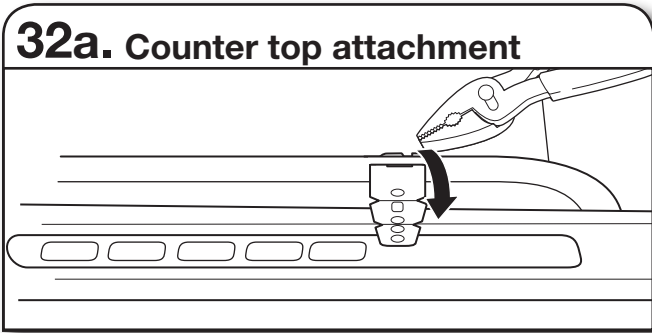
Countertop Attachment:

32. Insert bracket



Remove the brackets from the package, and insert into the open slots on the left- and right-hand top of the dishwasher collar as shown.

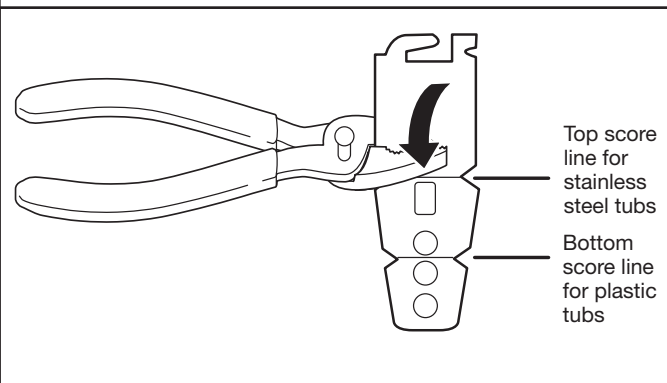
32a. Counter top attachment



Using pliers, bend/twist tab to lock the brackets in place.

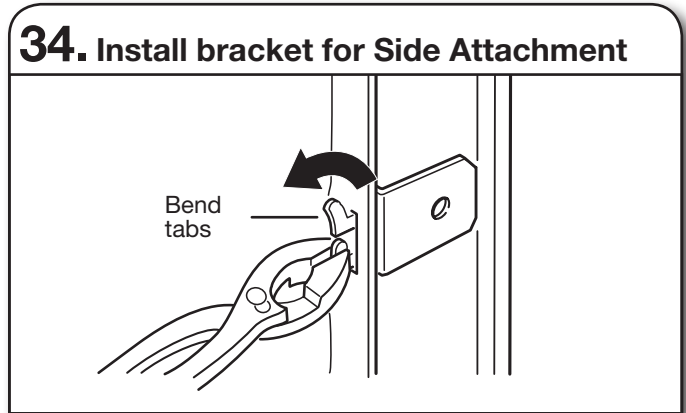
Side Attachment:

33. Break end of bracket for side attachment



Break off the end of the bracket along the scored line using pliers. Use sandpaper to smooth any burrs.

34. Install bracket for Side Attachment



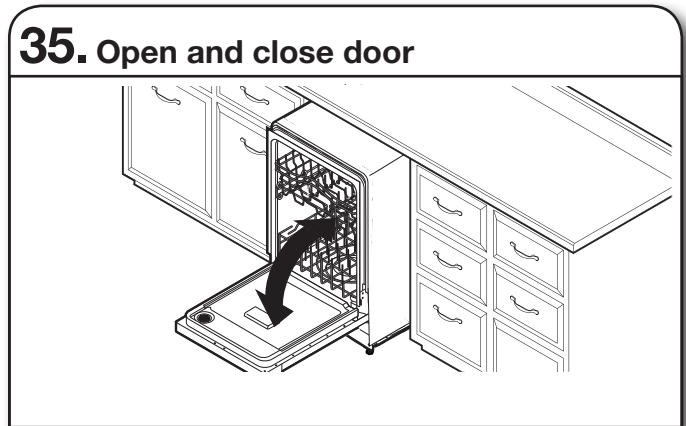
Push bracket into slot on the side of dishwasher, and bend tab in toward the side of the dishwasher so that it keeps the bracket in place. Repeat this step for the other side of the dishwasher.

NOTE: Install wood shims to the inside of the cabinets if the gap between the sides of the cabinet and the sides of the dishwasher are greater than 1/2" (1.3 cm) on each side.

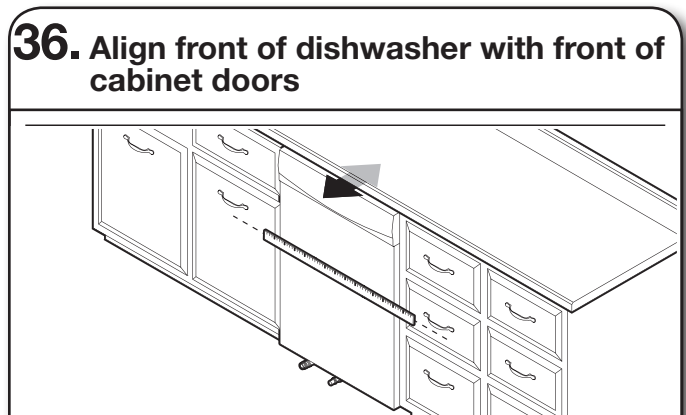
NOTE: Do not attach the dishwasher. This will be done later.

FINAL INSTALLATION CHECK

35. Open and close door

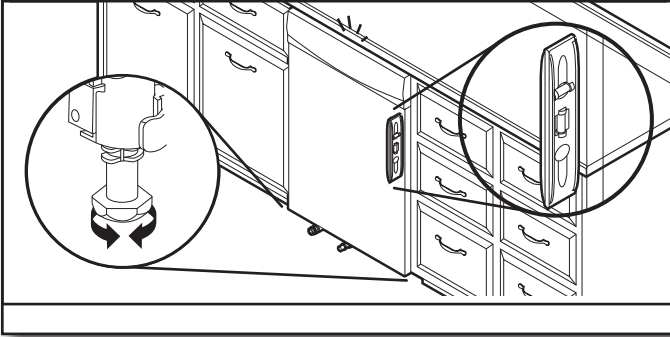


36. Align front of dishwasher with front of cabinet doors



Align front of dishwasher door panel with front of cabinet doors. You may need to adjust alignment to be even with your cabinets.

37. Check for plumb and adjust legs if needed

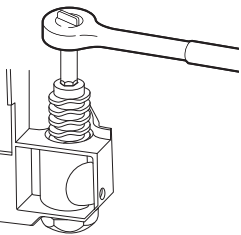


- Check that leveling legs are firmly against the floor. Close and latch the door and place level against the front panel. Check that dishwasher is centered from front to back in the opening. If needed, adjust leveling leg until dishwasher is plumb. Repeat for other side of dishwasher.
- With dishwasher plumb check that racks do not roll out on their own when you open the door. Adjust front level legs until racks no longer roll unless you pull them.

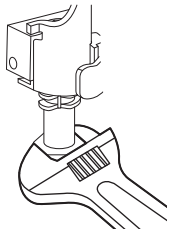
Helpful Tip: Push up on front of dishwasher to raise dishwasher off the ground to adjust front legs. With some installations, it may be easier to adjust the front leg using a 7 mm hex head socket or adjustable wrench. If the gap between the top of the door and the underside of the counter top is tight (less than 1/4" [6 mm]), we suggest side anchoring to keep from scratching the User Interface or console.

Level front legs

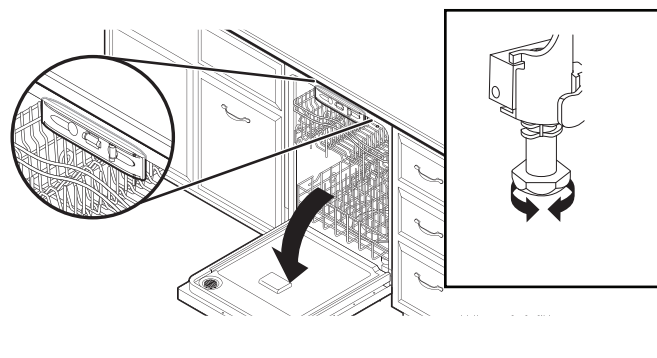
Preferred method



Optional method



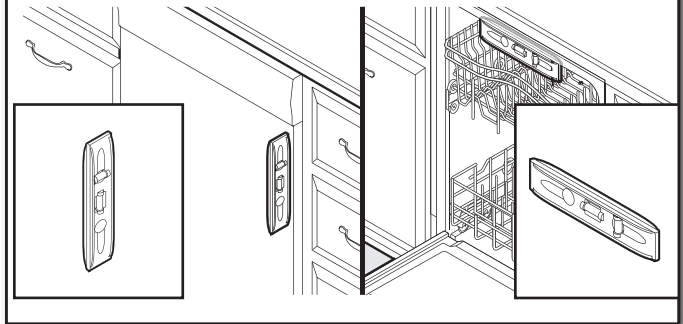
38. Check level side to side and adjust legs if needed



Place level against top front opening of tub. Check that dishwasher is level from side to side. If dishwasher is not level, adjust front legs up or down until dishwasher is level.

SECURE DISHWASHER IN CABINET OPENING

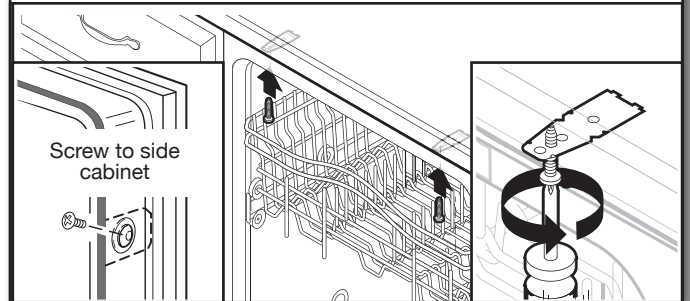
39. Double-check dishwasher alignment in cabinet opening



Check that dishwasher is still level front to back and side-to-side in the cabinet opening.

Open dishwasher door and place towel over pump assembly and spray arm of dishwasher. This will keep screws from falling into pump area when you are securing dishwasher to cabinet.

40. Secure dishwasher

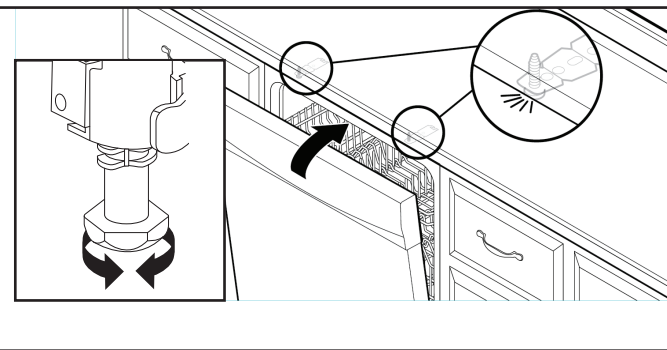


Open dishwasher door to prepare for securing the dishwasher to the countertop or side cabinet.

NOTES:

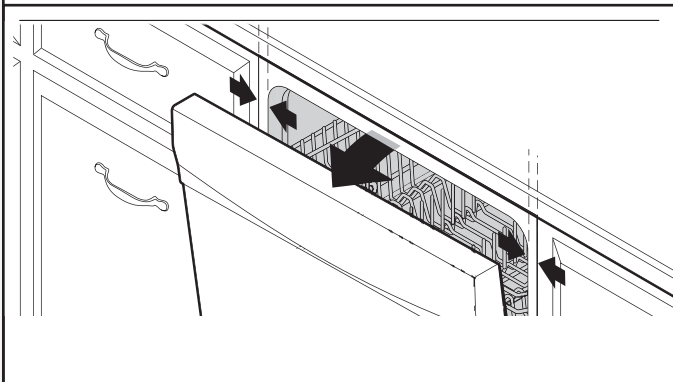
- The dishwasher must be secured to keep it from shifting when the door is opened or closed.
- Do not drop screws into bottom of dishwasher.
- Locate brackets installed in the "Choose Anchor Attachment Method" section, either on top or on the sides of the dishwasher.
- **If countertop anchoring:** Secure dishwasher to the countertop with two Phillips-head screws (included).
- **If side anchoring:** Drill 7/32" pilot holes in cabinet to avoid splitting the wood. Secure dishwasher to cabinet with two Phillips-head screws (included). Remove second rack for easier access. See the Dishwasher Loading Tips section for instructions on how to remove the second rack if needed.

41. Check door clearance



IMPORTANT: Check that top of door does not contact screws, brackets, or countertop. If it does, adjust leveling legs or use the side attachment option.

42. Check inner spacing



Open door and check that space between dishwasher cabinet opening and tub is equal on both sides. If spacing is not equal, loosen bracket screws and shift tub. Tighten bracket screws.

43. Direct Wire Connection

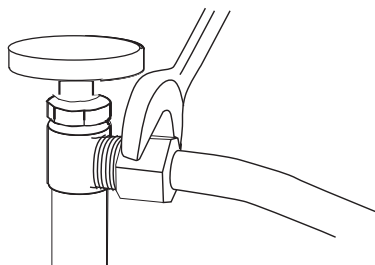
To complete direct wire connection. Complete Steps 18 to 24 in this installation guide.

Once complete, return here to Step 44 to complete Product Installation.

CONNECT WATER LINE TO HOUSE SHUT-OFF VALVE

NOTE: If using a flexible braided hose, replace inlet hose after 5 years to reduce the risk of hose failure. Record hose installation or replacement dates on the hose for future reference.

44. Attach water supply line



Attach the water supply line (copper tubing or flexible braided line) to the hot water line using a connection configuration that is in compliance with local codes and ordinances. The water supply to the dishwasher should have a manual shut-off valve located under the sink. Turn water valve on after attaching water supply line.

CONNECT DRAIN HOSE

45. Connect drain hose

Connect drain hose to waste tee or waste disposer using one of the following options:

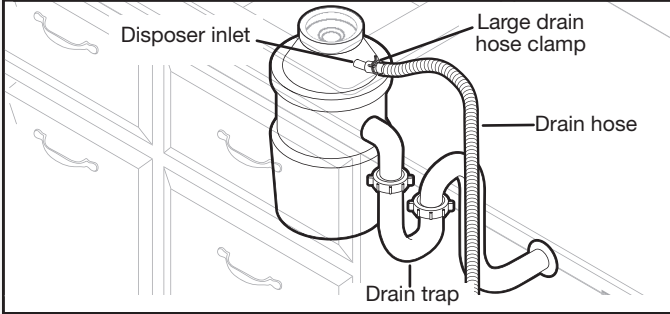
- Option A: Waste disposer – no air gap
- Option B: No waste disposer – no air gap
- Option C: Waste disposer – with air gap
- Option D: No waste disposer – with air gap

IMPORTANT: The drain hose connection of the disposer or a waste tee must be made before the drain trap and at least 20" (50.8 cm) above the floor where the dishwasher will be installed.

Helpful Tip: To reduce vibration of the hose, keep the hose away from the floor.

NOTE: Use the red clamp provided to connect the drain hose to the customer connection - plumbing or garbage disposal.

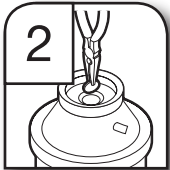
Option A: Waste disposer – no air gap



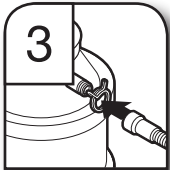
Helpful Tip: Remove disposer knockout plug.



1. Using a hammer and screwdriver, knock plug into disposer.

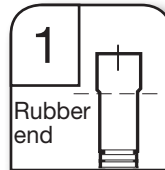
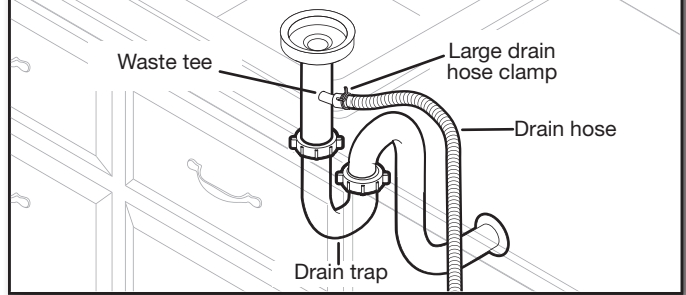


2. Use needle-nose pliers to remove plug.



3. Attach drain hose to disposer inlet with large drain hose clamp (provided). Use pliers to squeeze clamp open and move into position.

Option B: No Waste disposer – no air gap

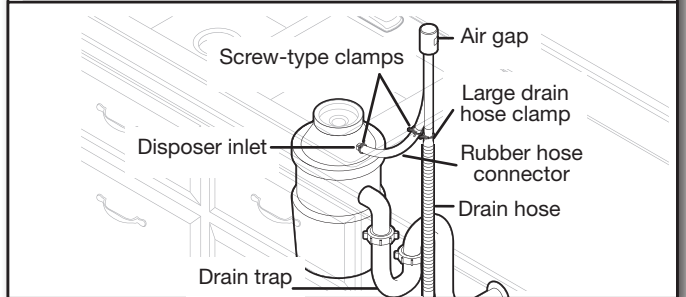


1. Fit rubber end of drain hose to waste tee.



2. Attach rubber end of drain hose to waste tee with a large drain hose clamp (provided). Use pliers to squeeze clamp open and move into position. If the drain hose was cut, use a 1½" to 2" (3.8 cm to 5.0 cm) screw-type clamp (not provided).

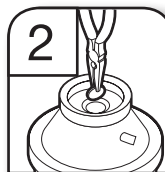
Option C: Waste disposer – with air gap



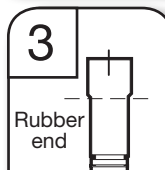
Helpful Tip: Remove disposer knockout plug.



1. Using a hammer and screwdriver, knock plug into disposer.



2. Use needle-nose pliers to remove plug.



3. Connect rubber end of drain hose to air gap.

NOTE: Do not cut ribbed section.

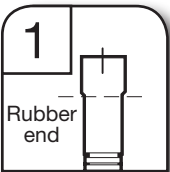
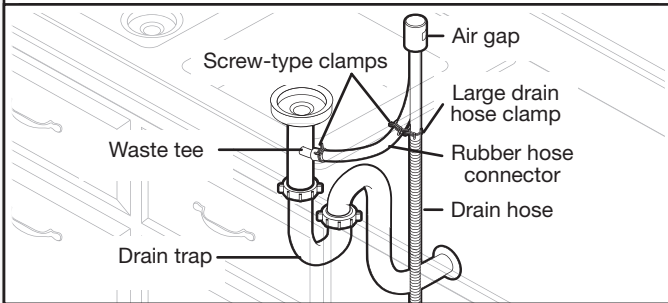


4. Attach drain hose to air gap with large drain hose clamp (provided). Use pliers to squeeze clamp open and move into position. If the drain hose was cut, use a 1½" to 2" (3.8 cm to 5.0 cm) screw-type clamp (not provided).



5. Use a rubber hose (not provided) with screw-type clamps to connect from air gap to disposer inlet.

Option D: No waste disposer – with air gap

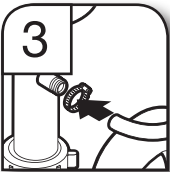


1. Connect rubber end of drain hose to air gap.

NOTE: Do not cut ribbed section.



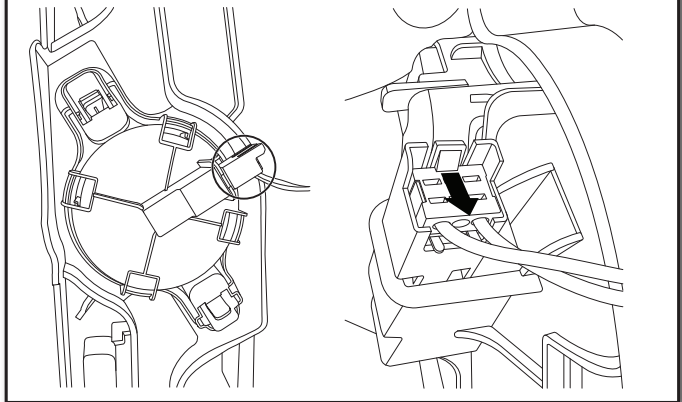
2. Attach drain hose to air gap with large drain hose clamp (provided). Use pliers to squeeze clamp open and move into position. If the drain hose was cut, use a 1½" to 2" (3.8 cm to 5.0 cm) screw-type clamp (not provided)..



3. Use a rubber hose (not provided) with screw-type clamps (not provided) to connect from waste tee to air gap.

COMPLETE INSTALLATION

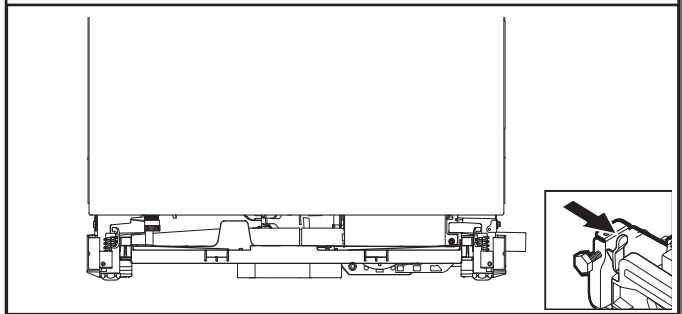
46. Reconnect float switch



Check that the power supply wire or cord does not touch dishwasher motor or the lower part of the dishwasher tub.

Reconnect float switch by aligning connector removed in Step 10 with the connector housing and pushing in until the locking tab is visible over the back of the connector.

47. Replace drip tray



NOTE: Before replacing the dip tray, ensure that there is no water present in the tray.

To replace drip tray, align with snaps in side members and push in toward unit. It is important that the black hoses are above the drip tray on both ends once it is pushed all of the way in.

⚠ WARNING



Electrical Shock Hazard

Plug into a grounded 3 prong outlet.

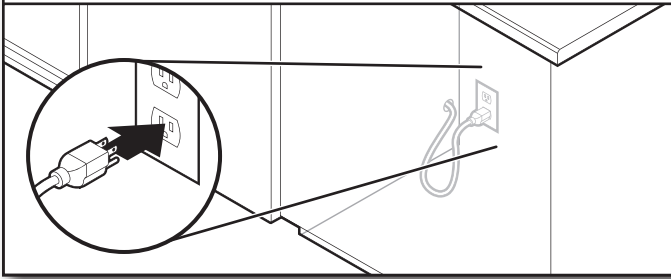
Do not remove ground prong.

Do not use an adapter.

Do not use an extension cord.

Failure to follow these instructions can result in death, fire, or electrical shock.

48. Power supply cord – Plug into a grounded 3 prong outlet



Plug into a grounded 3 prong outlet.

49. Reconnect power

Reconnect electrical power at the fuse box or circuit breaker box.

NOTE: With the access panel off, start the dishwasher and allow it to complete the shortest Installation Cycle while checking unit for leaks. See instructions on this manual under Check Operations section.

CHECK OPERATION

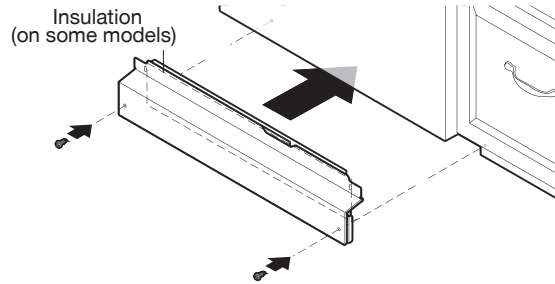
- Read the dishwasher Quick Start Guide that came with your dishwasher.
- Check that all parts have been installed and no steps were skipped. Check that you have used all tools.
- Run the Installation Cycles as follows (Note that it can be beneficial to run this with the access panel removed in order to look for presence of water under the unit. If running in this state, the float switch wire **MUST** still be connected to the float switch.)
- If the dishwasher is not working properly, disconnect power or unplug dishwasher and refer to the “If Dishwasher Does Not Operate” section.
- Press any 3 keys (except Delay or Cancel) in the sequence 1-2-3-1-2-3-1-2-3 with no more than 1 second between key presses to enter the Installation cycle then press button #2.
- Close the door and the cycle will start.
- All LEDs turn on immediately upon receiving entry sequence.
- A tone may play depending on the model.
- The cycle will pause when the door is opened and resume when closed.
- No Start/Resume key press required to resume.
- The installation cycle may last several minutes.
- Press Cancel key to exit installation cycle mode. The product will exit this mode after 10 minutes or if power is removed from the appliance.

NOTE: It is normal for the drain pump to sound loud upon the first run since no water is present in the system.

Numeric Display	All LEDs on	1	2	3	4	5 (Some models)	6	7
Approximate interval Time	0:01	0:30 (Maximum 5:00)	2:00	0:20	0:20	0:20	0:30	1:00 (Maximum 5:00)
Machine Action	Pause	Initial Drain	Fill 3.8 L+ Wash motor pulses	Wash+ Dispenser (Middle spray arm) pulses	Wash+ Fan (Ceiling spray arm)	Wash+ Third Level Rack. If present in this model	Wash+ Heater (Lower spray arm)	Drain Process

INSTALL ACCESS PANELS

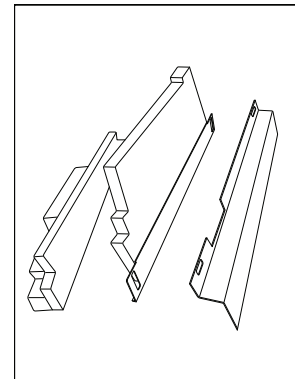
50. Reinstall access panels and fasteners



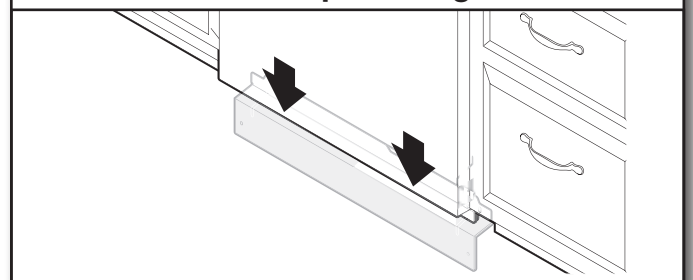
Place the toe panel behind the access panel against the dishwasher leg. If insulation is included on this model, make sure insulation does not interfere with the float assembly. Push the access panel up toward the top of the product so that it hangs on the hooks on the plastic side members.

- Reinstall the toe/access panel assembly with side shield to go between the toe/access panel assembly and the side member. Align the rectangular slot in the foam and assembly the toe/access panel assembly to the unit using the screw.

NOTE: Remove film on door. Score around door for easier removal.

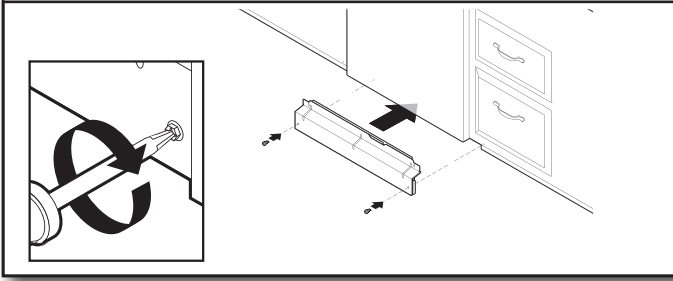


51. Check access panel edge



Check that the lower edge of the access panel touches the floor. Adjust if necessary.

52. Reinstall access panels



Use a 5/16" nut driver to reinstall the screws through the holes in the access panels.

IF DISHWASHER DOES NOT OPERATE

First try the solutions suggested here to possibly avoid the cost of a service call.

- Has the circuit breaker tripped or the house fuse blown?
- Is the door closed tightly and latched?
- Has the cycle been set correctly to start the dishwasher?
- Is the water turned on?
- Is the float switch wire under the product connected to the float switch?
- Make sure control lock is not on.

If none of these possible solutions work, please see the Quick Start Guide for service contact information.

Votre sécurité et celle des autres est très importante.

Nous donnons de nombreux messages de sécurité importants dans ce manuel et sur votre appareil ménager. Assurez-vous de toujours lire tous les messages de sécurité et de vous y conformer.



Voici le symbole d'alerte de sécurité.

Ce symbole d'alerte de sécurité vous signale les dangers potentiels de décès et de blessures graves à vous et à d'autres.

Tous les messages de sécurité suivront le symbole d'alerte de sécurité et le mot "DANGER" ou "AVERTISSEMENT". Ces mots signifient :

⚠ DANGER

Risque possible de décès ou de blessure grave si vous ne suivez pas immédiatement les instructions.

⚠ AVERTISSEMENT

Risque possible de décès ou de blessure grave si vous ne suivez pas les instructions.

Tous les messages de sécurité vous diront quel est le danger potentiel et vous disent comment réduire le risque de blessure et ce qui peut se produire en cas de non-respect des instructions.

IMPORTANTES INSTRUCTIONS DE SÉCURITÉ

AVERTISSEMENT : Lors de l'utilisation de ce lave-vaisselle, il convient d'observer certaines précautions fondamentales, dont :

- Lire toutes les instructions avant d'utiliser le lave-vaisselle.
- Utiliser le lave-vaisselle uniquement pour laver de la vaisselle.
- Utiliser seulement des détergents et agents de rinçage recommandés pour les lave-vaisselle. Garder ces produits hors de la portée des enfants.
- Lors du chargement d'articles à laver :
 - 1) Placer les articles coupants pour qu'ils ne risquent pas d'endommager le joint de la porte; et
 - 2) Placer les couteaux poignée vers le haut pour réduire les risques de blessure.
- Ne pas laver d'articles en plastique, sauf s'il est indiqué « lavable au lave-vaisselle » ou une mention équivalente. Pour les articles en plastique qui ne sont pas ainsi identifiés, vérifier les recommandations du fabricant.
- Ne pas toucher les éléments chauffants pendant ou immédiatement après l'utilisation.
- Ne pas mettre en marche le lave-vaisselle si un panneau de l'enceinte n'est pas correctement installé.
- Ne laissez pas le lave-vaisselle ouvert lorsqu'il n'est pas chargé ou déchargé vaisselle.
- Ne pas effectuer d'intervention non autorisée sur les commandes.
- Ne pas abuser de, s'asseoir sur ou se mettre debout sur la porte, le couvercle ou les paniers à vaisselle du lave-vaisselle.
- Ne pas utiliser de pièces de remplacement qui n'ont pas été recommandées par le fabricant (c.-à-d., pièces fabriquées à la maison à l'aide d'une imprimante 3D).
- Pour réduire les risques de blessure, ne pas laisser les enfants jouer dans ou près du lave-vaisselle.
- Dans certaines conditions, un système d'eau chaude qui n'a pas été utilisé depuis 2 semaines ou plus peut produire de l'hydrogène. L'HYDROGÈNE EST UN GAZ EXPLOSIF. Si le système d'eau chaude est resté inutilisé pendant une telle période, ouvrir tous les robinets d'eau chaude et laisser l'eau s'écouler pendant plusieurs minutes avant d'utiliser le lave-vaisselle. Ceci libérera toute accumulation d'hydrogène. Le gaz est inflammable : ne pas fumer ou utiliser une flamme nue durant cette période.
- Enlever la porte ou le couvercle du compartiment de lavage lorsqu'on cesse d'utiliser un vieux lave-vaisselle ou qu'on le jette.

CONSERVER CES INSTRUCTIONS

INSTRUCTIONS DE MISE À LA TERRE

■ **Pour un lave-vaisselle relié à la terre, branché avec un cordon :**

Le lave-vaisselle doit être relié à la terre. En cas d'un mauvais fonctionnement ou d'une panne, la mise à terre réduira le risque d'un choc électrique en fournissant le moins de résistance pour le courant électrique. Le lave-vaisselle est équipé d'un cordon avec un conducteur pour relier les appareils à la terre. La fiche doit être branchée sur une prise appropriée, installée et reliée à la terre conformément aux codes et règlements locaux.

AVERTISSEMENT : La connexion incorrecte du conducteur pour relier les appareils à la terre peut causer le risque de choc électrique. Vérifier avec un électricien compétent ou un représentant de service si vous avez des doutes si le lave-vaisselle est correctement relié à la terre. Ne pas modifier la fiche fournie avec le lave-vaisselle; si elle n'entre pas dans la prise, faire installer une prise appropriée par un électricien compétent.

■ **Pour un lave-vaisselle branché en permanence :**

Le lave-vaisselle doit être branché à un système d'installation électrique permanent en métal relié à la terre, ou un conducteur pour relier les appareils à la terre doit être relié avec les conducteurs du circuit et branché à une borne pour relier les appareils à la terre ou au cordon d'alimentation électrique avec le lave-vaisselle.

CONSERVEZ CES INSTRUCTIONS

⚠ AVERTISSEMENT



Risque de basculement

Ne pas utiliser le lave-vaisselle jusqu'à ce qu'il soit complètement installé.

Ne pas appuyer sur la porte ouverte.

Le non-respect de ces instructions peut causer des blessures graves ou des coupures.

ENTRETIEN DU LAVE-VAISSELLE

Détergents

Pour de meilleurs résultats, utiliser des pastilles et des sachets prémesurés de qualité supérieure.

Il est prouvé que les pastilles ou sachets de qualité réduisent plus efficacement la formation de pellicule sur la vaisselle que les détergents liquides, en poudre ou en gel. Grâce à l'utilisation régulière de pastilles et sachets, la pellicule blanche commencera à diminuer ou à disparaître. Ces formats conviennent parfaitement, peu importe la dureté de l'eau et le niveau de saleté. L'utilisation d'un agent de rinçage peut aussi contribuer à réduire la formation de pellicule blanche (les pastilles et sachets ne contiennent pas tous un agent de rinçage). Toujours placer les détergents prémesurés dans le compartiment principal et fermer le couvercle.

REMARQUE : Lors de l'utilisation d'un autre type de détergent, procéder conformément aux instructions indiquées sur l'emballage.

- Utiliser uniquement du détergent pour lave-vaisselle automatique. Verser le détergent juste avant de démarrer un programme.
- Pour de meilleurs résultats de lavage, il est recommandé d'utiliser un détergent à lave-vaisselle automatique frais. Conserver le récipient du détergent bien fermé dans un lieu sec et frais.
- Les dépôts minéraux provenant d'une eau très dure (au moins 15 grains par gallon américain) peuvent endommager le lave-vaisselle et rendre un bon nettoyage difficile. On recommande l'emploi d'un adoucisseur d'eau pour éviter tout dommage et obtenir de bons résultats.
- Pour obtenir plus de renseignements sur les détergents en poudre, liquides ou en gel et sur la présence d'eau dure, consulter le site Web de la marque.

Agent de rinçage

Utiliser un agent de rinçage pour une performance de lavage et de séchage optimale. Afin d'améliorer la performance de séchage et de limiter l'accumulation de dépôts d'eau dure, ce lave-vaisselle est spécifiquement conçu pour être utilisé avec un agent de rinçage. L'agent de rinçage doit être ajouté au produit tous les 1 à 3 mois, selon l'utilisation.

Consulter le guide de démarrage rapide ou le site Web de la marque pour obtenir des renseignements au sujet du remplissage du distributeur d'agent de rinçage.

Sélection du programme et de la consommation d'énergie

Les lave-vaisselle éconergiques fonctionnent plus longtemps pour économiser de l'eau et de l'énergie, tout comme une vitesse de conduite réduite permet d'économiser du carburant. La durée normale d'un programme est d'environ 2 1/2 heures, mais ce temps peut varier en fonction des sélections effectuées, de la température de l'eau à l'entrée et du niveau de saleté des plats. Pour obtenir un rendement optimal, le lave-vaisselle devrait être raccordé à une canalisation d'eau chaude à 120 °F (49 °C).

Si on appuie d'abord sur le bouton Start (mise en marche) le programme avec capteur principal et séchage avec chaleur sera automatiquement sélectionné. Ce programme détecte la quantité et la dureté de la saleté afin de modifier le programme pour obtenir un nettoyage de qualité.

Sanitize ou Sani (assainissement)

Assainit la vaisselle et la verrerie conformément à la norme internationale NSF/ANSI 184 pour lave-vaisselle à usage domestique. Les lave-vaisselle à usage domestique certifiés ne sont pas destinés aux établissements de restauration agréés. Seuls les programmes d'assainissement ont été conçus pour répondre aux exigences de la norme NSF/ANSI 184 pour l'élimination de la saleté et l'efficacité de l'assainissement. Tous les programmes d'un lave-vaisselle homologué NSF/ANSI 184 n'ont pas été conçus dans l'objectif direct ou indirect de répondre aux exigences de la norme NSF/ANSI 184 pour l'élimination de la saleté et l'efficacité de l'assainissement. À la fin du programme, le témoin indicateur Sani Rinse (rinçage avec assainissement) s'allume si l'option Sani Rinse (rinçage avec assainissement) a fonctionné correctement. Si le témoin ne s'active pas, cela est probablement dû au fait que le programme a été interrompu.

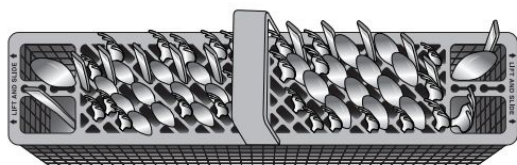
CONSEILS DE CHARGEMENT DU LAVE-VAISSELLE

REMARQUE : Les caractéristiques sont spécifiques aux modèles. Votre lave-vaisselle peut ne pas comporter toutes les caractéristiques indiquées.

Panier à couverts



Style 1



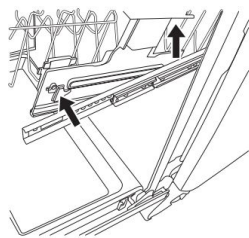
Style 2

Utiliser les couvercles du panier à couverts pour fournir un espace optimal et le meilleur rendement de nettoyage.

REMARQUE : Si vos couverts ne conviennent pas aux encoches prévues, ouvrir les couvercles (style 1) ou soulever les bouts des couvercles et les tirer pour les enlever (style 2). Varier les types de couverts pour les maintenir séparés. Pour de meilleurs résultats de lavage, charger les couteaux vers le bas, les fourchettes vers le haut et alterner la position des cuillères.

Enlever les paniers supérieurs

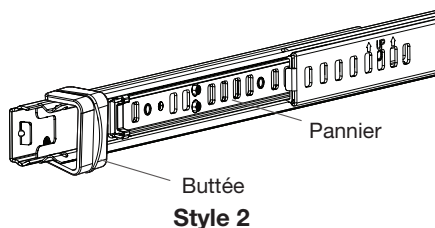
Pour faire de l'espace pour les grands articles, les paniers du haut sont amovibles. La façon de les enlever dépend du style 1 ou 2 d'installation. Retirer les plats avant d'enlever les paniers.



Style 1

Pour retirer un panier, le tirer à moitié à l'extérieur de la cuve. D'un côté, appuyer sur l'onglet de la glissière et tirer l'avant du panier hors des glissières. Répéter ensuite cette étape de l'autre côté pour retirer complètement l'avant du panier. Enlever ensuite le panier en tirant l'arrière vers l'avant et le haut.

Pour remplacer un panier, le repousser sur les rails, puis abaisser le devant.

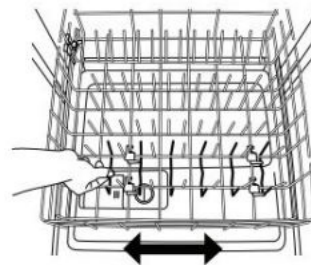


Style 2

Pour enlever un panier, le tirer jusqu'à ce qu'il s'arrête. Sur les côtés gauche et droit du panier, pousser sur les côtés les butées d'arrêt en plastique situées à l'avant des rails pour les ouvrir. Retirer le panier.

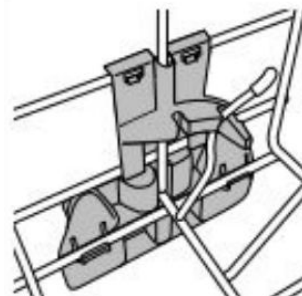
Pour remplacer un panier, le replacer sur les rails. Refermer les butées des rails.

Tiges coulissantes pour bols



Les tiges coulissantes pour bols permettent de facilement charger des bols de tailles différentes. Tenir la rangée de tiges du panier inférieur et la faire glisser à la position souhaitée.

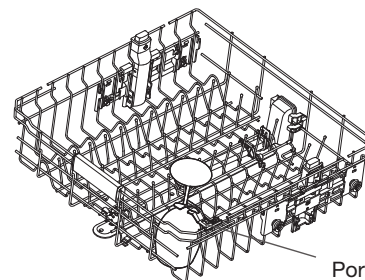
Tiges rabattables



Les tiges rabattables permettent d'optimiser l'espace dans le panier. Les tiges rabattables peuvent se situer dans le panier inférieur, du milieu ou supérieur, selon le modèle. Pour coucher ou redresser les tiges, tenir la tige le plus près possible de la pince située à la fin d'une rangée et la pousser doucement au-delà de la butée de la pince, dans la direction souhaitée.

Porte-verres à pied

Utiliser le porte-verres à pied pour les verres à vin et autres verres à pied. Les pousser vers le haut pour qu'ils ne dérangent pas lorsqu'ils ne sont pas utilisés.



Porte-verres à pied

Tablettes pour tasses



Utiliser la tablette pour laver plus de tasses ou de petits articles. Les pousser vers le haut pour les replier lorsqu'ils ne sont pas utilisés.

ENTRETIEN DU LAVE-VAISSELLE

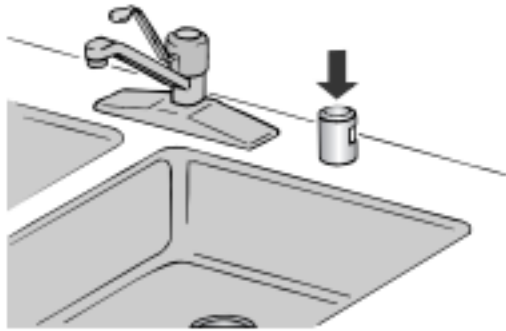
Nettoyage de l'intérieur

Plusieurs détergents peuvent laisser des taches ou résidus blancs sur la vaisselle ou l'intérieur du lave-vaisselle. Avec le temps, ces résidus peuvent devenir indésirables et nuire au bon fonctionnement du lave-vaisselle. Utiliser un produit comme le nettoyant pour lave-vaisselle affresh® peut aider à éliminer ces résidus. Une utilisation mensuelle du nettoyant pour lave-vaisselle affresh® est recommandé pour aider à entretenir le lave-vaisselle. Suivre les indications sur l'emballage.

REMARQUE : Nous recommandons des pastilles ou des sachets de détergent prémesuré de grande qualité, ainsi que de l'agent de rinçage pour effectuer le nettoyage du lave-vaisselle et pour une utilisation quotidienne.

Brise-siphon de comptoir

Inspecter et nettoyer le dispositif anti-refoulement, le cas échéant, si le lave-vaisselle ne se vidange pas correctement.



Période d'inutilisation prolongée

Pour réduire le risque de dommages matériels durant les vacances ou une période d'inutilisation prolongée

- Si l'on n'utilise pas le lave-vaisselle pendant l'été, couper l'arrivée d'eau et l'alimentation électrique du lave-vaisselle.
- S'assurer que les tuyaux d'alimentation en eau sont protégés contre le gel. La formation de glace dans les canalisations d'arrivée d'eau peut entraîner une élévation de la pression en eau et endommager le lave-vaisselle ou le domicile.
- La garantie de l'appareil ne couvre pas les dommages imputables au gel.
- Lors du remisage du lave-vaisselle pendant l'hiver, éviter tout dommage lié à l'eau en faisant hiverner le lave-vaisselle par un fournisseur de services agréé.

Nettoyage des surfaces externes

Nettoyer l'extérieur du lave-vaisselle avec un chiffon doux et humide et un détergent doux. Ne pas utiliser de produits nettoyants abrasifs sur la surface extérieure du lave-vaisselle. Les produits de nettoyage abrasifs peuvent endommager le fini.

Dépannage

Le site Web de la marque indiqué dans le guide de démarrage rapide propose des informations détaillées pour dépanner la majorité des problèmes que rencontrent les clients. Ces informations peuvent aider à économiser le coût d'une intervention de dépannage.

Tasse à corps étrangers

Si la tasse à corps étrangers est pleine, le guide de démarrage rapide ou le site Web de la marque mentionné dans le guide de démarrage rapide donnent des renseignements détaillés sur la façon de la vider.

MENU DE RÉGLAGE DU LAVE-VAISSELLE :

Suivre les instructions suivantes pour accéder au menu et modifier les réglages actuels.

Menu	Affiche le texte (s'il y a un affichage)	Motif de DEL (s'il n'y a pas d'affichage)			Ce que ce réglage fait	Réglage par défaut
		PROWASH (lavage Pro) OU SENSOR (capteur)	TOUGH (tenace) OU COOKWARE (ustensiles de cuisine)	NORMAL		
Niveau d'agent de rinçage	A		X		Règle la quantité d'agent de rinçage distribuée	
Sous-menu de niveau d'agent de rinçage	A 0	X	X	X	0 mL – pas d'agent de rinçage	
	A 1	X			1 mL	X
	A 2		X		2 mL	
	A 3	X	X		3 mL	
	A 4			X	4 mL	
	A 5	X		X	5 mL	
	A 6		X	X	6 mL	
Niveau sonore	S	X	X		Met en marche et arrête le son	
Sous-menu de niveau sonore	S 1	X			Sound On (sons activés)	X
	S 0		X		Sound Off (sons désactivés)	
Éclairage dans la cuve	L			X	Met en marche et éteint l'éclairage interne (si présent)	
Sous-menu d'éclairage dans la cuve	L 1	X			La lampe de la cuve s'allume lorsque la porte est ouverte	X
	L 0		X		La lampe de la cuve s'éteint lorsque la porte est fermée	
Mode cachère	E	X		X	Met en marche et éteint le mode cachère	
	E 1	X			Activation du mode	
	E 0		X		Arrête le mode	X
Rétablissement des paramètres d'usine	r	X	X	X	Rétablissement des paramètres d'usine	

- Maintenir enfoncé le bouton « Hi Temp » (température élevée) pendant 5 secondes, jusqu'à ce que les témoins « Hi Temp » (température élevée) et « Dry » (séchage) s'allument.
- Appuyer sur le bouton « Start/Resume » (mise en marche/reprise) dans les 2 secondes. Si on n'appuie pas sur le bouton de mise en marche dans les 2 secondes, l'affichage s'éteindra et il faudra recommencer à l'étape 1.
 - Pour les modèles avec écran, un « A » s'affichera pour indiquer le niveau d'agent de rinçage.
 - Pour les modèles sans écran, le témoin « Tough » (tenace) ou « Cookware » (ustensiles de cuisson) s'illuminera pour indiquer le niveau d'agent de rinçage.
- Pour accéder à une caractéristique autre que le niveau d'agent de rinçage, appuyer sur le bouton « Cycle » (programme) ou « Normal » (selon le modèle) pour passer à la caractéristique à modifier (niveau sonore, lampe de la cuve, Cachère, réinitialisation aux paramètres d'usine et niveau d'agent de rinçage). Consulter le tableau pour savoir ce qui s'affiche à l'écran pour indiquer ces caractéristiques.
- Appuyer sur le bouton « Start/Resume » (mise en marche/reprise) pour sélectionner la caractéristique et accéder au sous-menu. L'écran changera pour afficher le réglage actuel de la caractéristique. (Par exemple, si Sound Level [niveau sonore] est sélectionné, mais que le niveau sonore n'a jamais été modifié, S1 s'affichera pour les modèles avec écran et Sensor [capteur] s'illuminera pour les modèles sans écran.)
- Appuyer sur le bouton « Cycle » (programme ou « Normal » selon le modèle) pour modifier la valeur du réglage de la caractéristique. (Par exemple, pour éteindre le son, appuyer sur le bouton « Cycle » [programme] ou « Normal ». S0 s'affichera sur les modèles avec écran ou le témoin « Pots and pans » (casserolles et poêles) s'allumera sur les modèles sans écran.)
- Appuyer sur le bouton « Start/Resume » (mise en marche/reprise) pour confirmer la nouvelle sélection. Le nouveau réglage de caractéristique ne sera pas enregistré si on n'appuie pas sur le bouton « Start/Resume » (mise en marche/reprise).
Le lave-vaisselle reviendra à l'état d'arrêt après avoir appuyé sur le bouton Start (mise en marche).

Pour quitter le menu des réglages du client, appuyer sur le bouton « Cancel » (annuler) ou attendre 30 secondes sans toucher aucun bouton.

REMARQUE : Pour afficher le réglage actuel d'une caractéristique, suivre les étapes 1 à 4. Lorsqu'on appuie sur le bouton « Start/Resume » (mise en marche/reprise) à l'étape 4, le lave-vaisselle affiche le réglage actuel. Appuyer sur le bouton « Cancel » (annuler) pour quitter sans faire de modification.

REMARQUE : Pour revenir au menu principal après avoir accédé à une page de réglage de caractéristique, appuyer sur « Cancel » et poursuivre avec l'étape 1.

REMARQUE : Pour quitter le « mode cachère », appuyer sur le bouton « Cancel » (annuler) ou attendre 72 heures.

Mode cachère : Lorsque ce mode est activé, il désactive tous les boutons du lave-vaisselle sauf la touche Cancel (annuler) et désactive la lampe à l'intérieur de la cuve (si présente) pour une période de 75 heures. Si le mode est activé pendant un programme, les témoins d'état ne s'éteindront pas à la fin du programme lorsque la porte est ouverte, puis refermée. Pour quitter ce mode, appuyer sur le bouton « Cancel » (annuler) ou attendre 75 heures.

CODES D'ANOMALIES

CODES D'ANOMALIES/TÉMOINS QUI CLIGNOTENT

Problème	Code affiché (affichage à 7 segments) (si présent)	Code affiché sur le panneau avant à DEL* (No qui clignote, pause, no qui clignote)	Que se passera-t-il?	Quoi faire?
Le lave-vaisselle ne parvient pas à bien faire fonctionner l'électrovanne	F1E1	1 pause, 1 pause - pause, répétition	La séquence de vidange s'amorce, ce qui empêche la machine de fonctionner	Fermer l'arrivée d'eau (si possible). Fermer l'alimentation électrique. S'il est impossible de fermer l'arrivée en eau, NE PAS fermer l'alimentation électrique et garder la porte fermée. Appuyer sur la touche Cancel (annuler) une fois pour arrêter l'alarme sonore. Faire un appel de service.
Défaillance de la commande du moteur	F1E2	1 pause, 2 pauses, répétition	Le programme prend fin	Faire un appel de service
Il n'y a pas d'eau dans le lave-vaisselle	H2O	8 pauses, 1 pause - pause, répétition	Le programme est en pause	S'assurer que le tuyau de remplissage est branché au produit. S'assurer que l'alimentation en eau est ouverte. Appuyer sur Start (mise en marche) pour reprendre le programme. Si l'alarme est toujours présente, faire un appel de service.
Défaillance du moteur de lavage	F7E2	7 pause, 2 pauses, répétition	Le programme prend fin	Faire un appel de service
Le lave-vaisselle se remplit trop	F8E4	8 pauses, 4 pause - pause, répétition	La séquence de vidange s'amorce, ce qui empêche la machine de fonctionner	Fermer l'arrivée d'eau (si possible). Fermer l'alimentation électrique. S'il est impossible de fermer l'arrivée en eau, NE PAS fermer l'alimentation électrique et garder la porte fermée. Appuyer sur la touche Cancel (annuler) une fois pour arrêter l'alarme sonore. Faire un appel de service.
L'électrovanne reste coincée ouverte	F8E5	8 pauses, 5 pause - pause, répétition	La séquence de vidange s'amorce, ce qui empêche la machine de fonctionner	Fermer l'arrivée d'eau (si possible). Fermer l'alimentation électrique. S'il est impossible de fermer l'arrivée en eau, NE PAS fermer l'alimentation électrique et garder la porte fermée. Appuyer sur la touche Cancel (annuler) une fois pour arrêter l'alarme sonore. Faire un appel de service.
Le lave-vaisselle ne se vidange pas	F9E1	9 pauses, 1 pause - pause, répétition	Le programme prend fin	Si le tuyau de vidange est raccordé à un broyeur à déchets, vérifier qu'il n'est pas obstrué et que l'opercule d'obstruction a été enlevé. Si l'appareil ne vidange toujours pas, faire un appel de service.
Il y a de l'eau sous le lave-vaisselle	FAE5	10 pauses, 5 pause - pause, répétition	Le programme prend fin	Faire un appel de service.
Défaillance de la communication d'entretien de l'interface utilisateur	F6E1	6 pauses, 1 pause - pause, répétition	Le produit ne permet pas de lancer ou de reprendre un programme	Faire un appel de service.

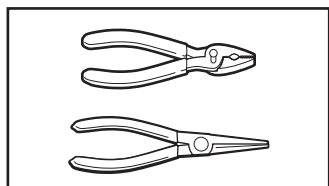
EXIGENCES D'INSTALLATION

OUTILS ET PIÈCES

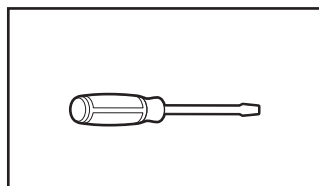
Rassembler les outils et composants nécessaires avant d'entreprendre l'installation. Lire et observer les instructions fournies avec les outils de la liste ci-dessous.

Toutes les installations

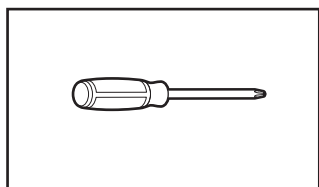
Outils requis :



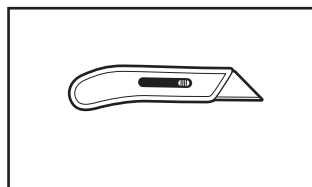
Pince



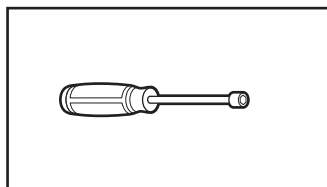
Tournevis à tête plate



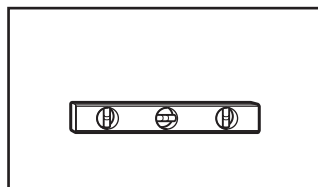
Tournevis cruciforme



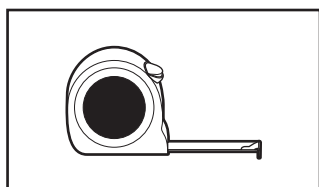
Couteau utilitaire



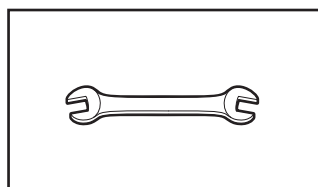
Tourne-écrou ou clé à douille de 5/16 po (7,9 mm) et 1/4 po (6,4 mm)



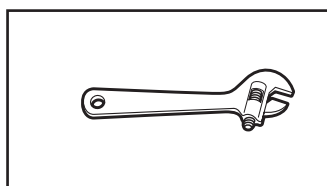
Petit niveau



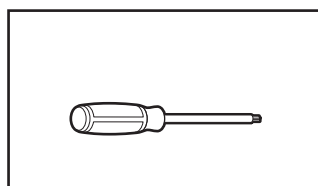
Mètre-ruban ou règle



Clé ouverte de 5/8 po (15,9 mm)

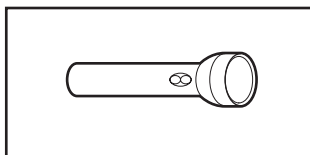


Clé à molette de 10 po qui s'ouvre de 1 1/8 po (29 mm)

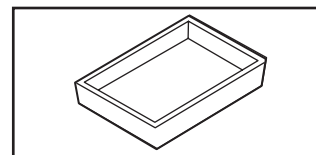


Tournevis Torx† T20 et, si des panneaux avant personnalisés sont installés, Torx T15

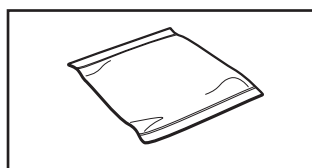
Autres articles utiles pouvant être nécessaires :



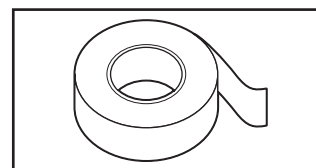
Lampe de poche



Plat peu profond

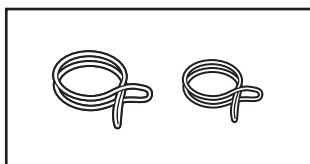


Serviette de bain

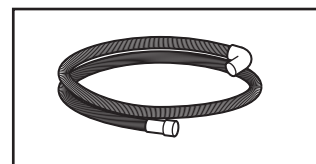


Ruban adhésif pour conduit ou de marquage

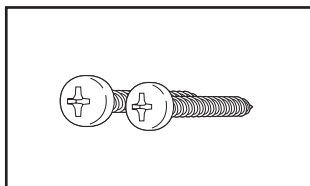
Pièces fournies :



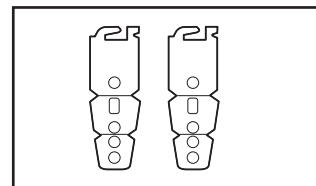
Brides pour tuyau de décharge (2)
(1 grande/rouge et 1 petite/argentée)



Tuyau d'évacuation

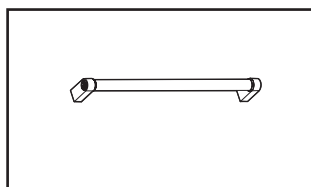


Tournevis cruciforme no 8 x 1/2 po (12,7 mm) (2)



Supports de fixation (au-dessous du comptoir) (2)

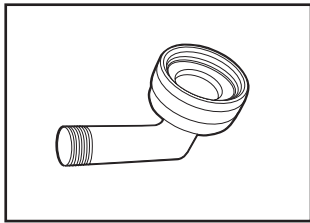
S'assurer que toutes les pièces sont comprises avec le sachet de documentation.



Poignée de porte (sur certains modèles)

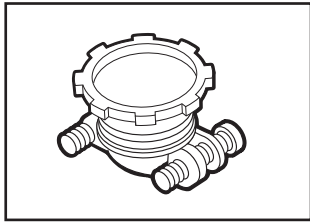
†Torx T15 et T20 sont des marques déposées de Acument Intellectual Properties, LLC.

Autres pièces nécessaires (non fournies) :



Raccord de tuyau coudé à 90° de 3/4 po (19 mm) x 3/8 po (9,5 mm) d'extrémité de compression avec joint caoutchouc (nécessaire pour raccorder correctement la canalisation d'eau du domicile au lave-vaisselle).

No de pièce : W10685193

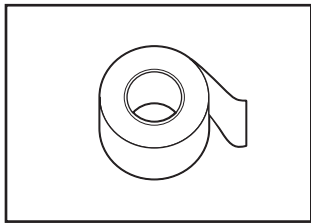


Serre-câbles métallique pour câblage du domicile qui convient à l'orifice de 7/8 po (22 mm) (nécessaire pour raccorder correctement le câble du domicile au boîtier de connexion du lave-vaisselle).

No de pièce : 4396672

REMARQUE : Utiliser uniquement des pièces homologuées UL ou CSA.

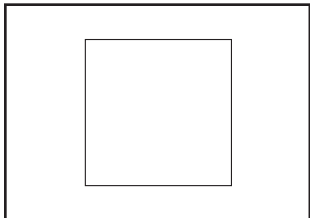
Accessoires facultatifs offerts :



Ruban de barrière anti-humidité

REMARQUE : Le ruban de barrière anti-humidité ajoute une protection facultative supplémentaire si le lave-vaisselle est installé sous un plan de travail en bois. Recommandé, mais non requis pour les plans de travail en bois.

No de pièce : 4396277



Ensemble de panneaux latéraux

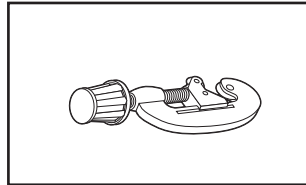
Pour fermer le côté du lave-vaisselle lorsqu'il est installé à l'extrémité de l'armoire (le numéro de pièce Whirlpool varie en fonction de la couleur).

Nous contacter au numéro sans frais ou visiter le site Web de la marque identifié dans le guide de démarrage rapide pour obtenir des informations sur les accessoires et les pièces.

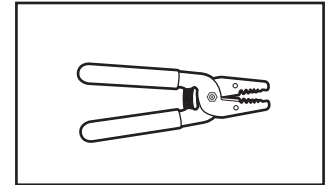
Première installation

Consulter les codes locaux. Vérifier l'alimentation électrique existante. Voir la section « Spécifications électriques ». Il est recommandé de faire réaliser tous les raccordements électriques par un électricien qualifié agréé.

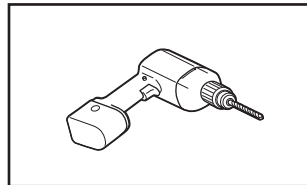
Outillage supplémentaire nécessaire :



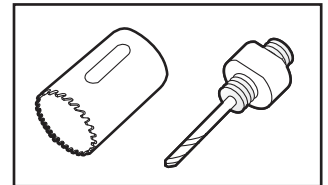
Petit coupe-tube



Pince à dénuder

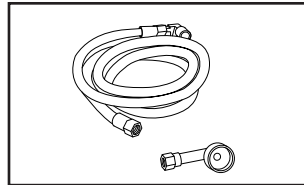


Perceuse sans fil



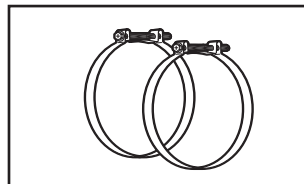
Scie-cloche de 1/2 po (12,7 mm), 3/4 po (19 mm) et 1 1/2 po (38 mm)

Pièces supplémentaires nécessaires (non fournies) :

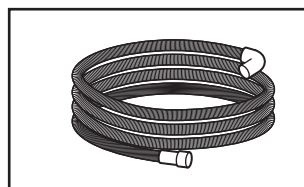


Tube de cuivre (diamètre externe de 3/8 po suggéré) ou ensemble de canalisation d'arrivée d'eau flexible à tresse d'acier. L'ensemble inclut un tuyau tressé et une bague de compression de 3/8 po x un adaptateur à tuyau de 3/4 po.

No de pièce : W10278635RP



Bride à vis de 1 1/2 po à 2 po (38 mm à 50 mm) (3 maximum)



Plus long tuyau de vidange optionnel d'une longueur maximale de 12 pi (3,7 m)

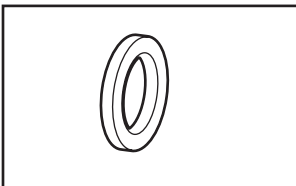
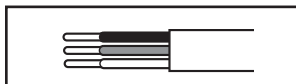
REMARQUE : Doit être conforme à toutes les normes de test AHAM/IAPMO, convenir à des raccordements de vidange de 1 po (25 mm) et être résistant à la chaleur et aux détergents.

No de pièce : W11381654

REMARQUE : Si l'on utilise un tuyau flexible tressé, remplacer le tuyau d'alimentation après 5 ans d'utilisation pour réduire le risque de défaillance du tuyau. Inscrive la date d'installation ou de remplacement du tuyau sur celui-ci, pour référence ultérieure.

REMARQUE : S'assurer d'acheter uniquement des pièces et des accessoires Whirlpool certifiés par le fabricant de l'appareil. Il se peut que l'installation nécessite des pièces supplémentaires. Pour commander, consulter les coordonnées indiquées dans le guide de démarrage rapide.

Pour les installations à raccordement direct

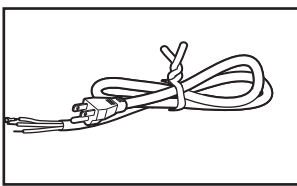
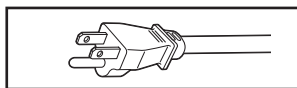


Passe-câble d'armoire

Pour trou de 1 1/2 po (38 mm) dans l'armoire.

REMARQUE : Requis pour les armoires en métal

Pour un cordon d'alimentation



Ensemble pour cordon d'alimentation

L'ensemble comprend habituellement un cordon d'alimentation, un serre-câbles métallique et un œillet.

(Numéro de pièce Whirlpool
Trousse avec cordon – droit –
W11365011

Trousse avec cordon – angle
droit – W11365014)

Nous contacter au numéro sans frais ou visiter le site Web de la marque identifié dans le guide de démarrage rapide pour obtenir des informations sur les accessoires et les pièces.

REMARQUE : S'assurer d'acheter uniquement des pièces et des accessoires Whirlpool certifiés par le fabricant de l'appareil. Il se peut que l'installation nécessite des pièces supplémentaires. Pour commander, consulter les coordonnées indiquées dans le guide de démarrage rapide.

EXIGENCES D'EMPLACEMENT

L'appareil doit être entièrement encastré (sur le dessus, les côtés, à l'arrière et au sol) dès l'installation. Un ensemble de panneaux latéraux est disponible chez votre marchand pour l'installation du lave-vaisselle à l'extrémité d'une rangée d'armoires.

Une barrière anti-humidité en option est également offerte pour l'installation sous un plan de travail en bois.

Inspecter l'emplacement d'installation du lave-vaisselle. Il doit comporter les caractéristiques suivantes :

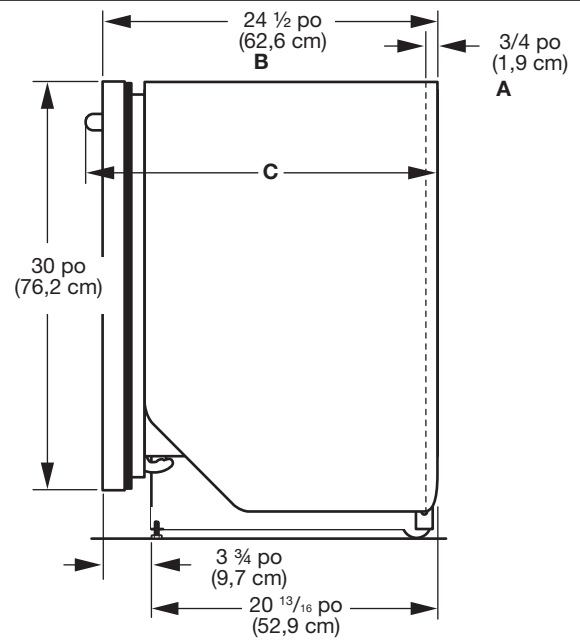
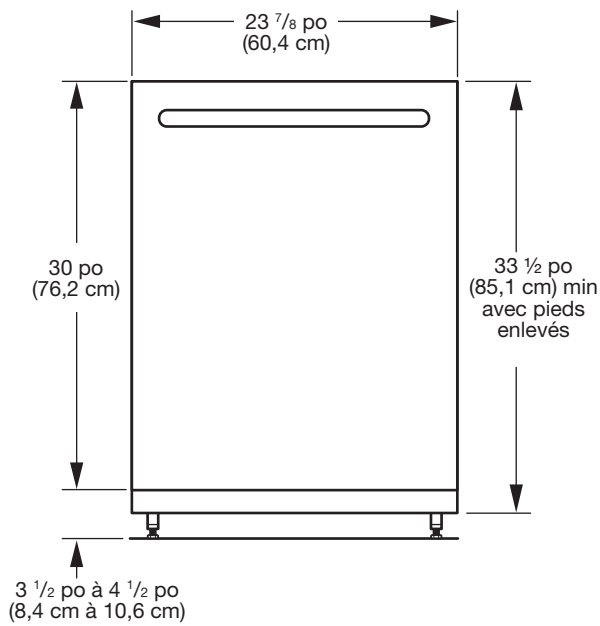
- Accès facile pour chargement et déchargement de la vaisselle. Dans le cas de l'installation dans un angle, on doit pouvoir établir un dégagement de 2 po (5,1 cm) ou plus entre le côté de la porte du lave-vaisselle et le mur ou l'armoire.
- Facilité d'accès aux canalisations d'eau et d'évacuation et à la source d'électricité :
 - Une source d'électricité avec liaison à la terre est nécessaire.
 - Ce lave-vaisselle est doté d'une fonction de chauffage de l'eau et doit être raccordé à la canalisation d'alimentation en eau chaude.
 - Veiller à ce que les canalisations d'eau et d'évacuation et les câbles électriques se trouvent dans les limites de la zone marquée en gris illustrée dans la section « Dimensions du produit et de l'emplacement d'installation ».
 - Ne pas placer de canalisation d'évacuation, canalisation d'eau ou câblage électrique à un endroit où cela susciterait interférence ou contact avec les pieds ou les moteurs du lave-vaisselle.
 - Protéger du gel le lave-vaisselle et les canalisations d'eau qui l'alimentent. La garantie de l'appareil ne couvre pas les dommages imputables au gel.
- **REMARQUE :** Si le lave-vaisselle ne doit pas être utilisé pendant une période prolongée ou s'il est laissé à un endroit qui pourrait être exposé au gel, veiller à faire exécuter les opérations de préhivernage par un technicien compétent.
- S'il est installé dans une nouvelle construction, enlever tout débris de l'arrivée d'eau avant de la brancher à la valve de distribution. Les débris qui ne sont pas enlevés de l'eau pourraient obturer le filtre de la valve de distribution.
- Une ouverture carrée offrant l'esthétique appropriée et permettant un fonctionnement correct.
- La façade des armoires perpendiculaire au plancher.
- Plancher de niveau.

Conseil utile : S'il y a un écart de niveau sur le plancher entre l'avant et l'arrière de l'emplacement d'installation, il pourrait être nécessaire d'utiliser des cales pour établir l'aplomb de l'appareil.

REMARQUE : Pour éviter tout déplacement des cales durant le fonctionnement du lave-vaisselle, les cales doivent être solidement fixées au plancher.

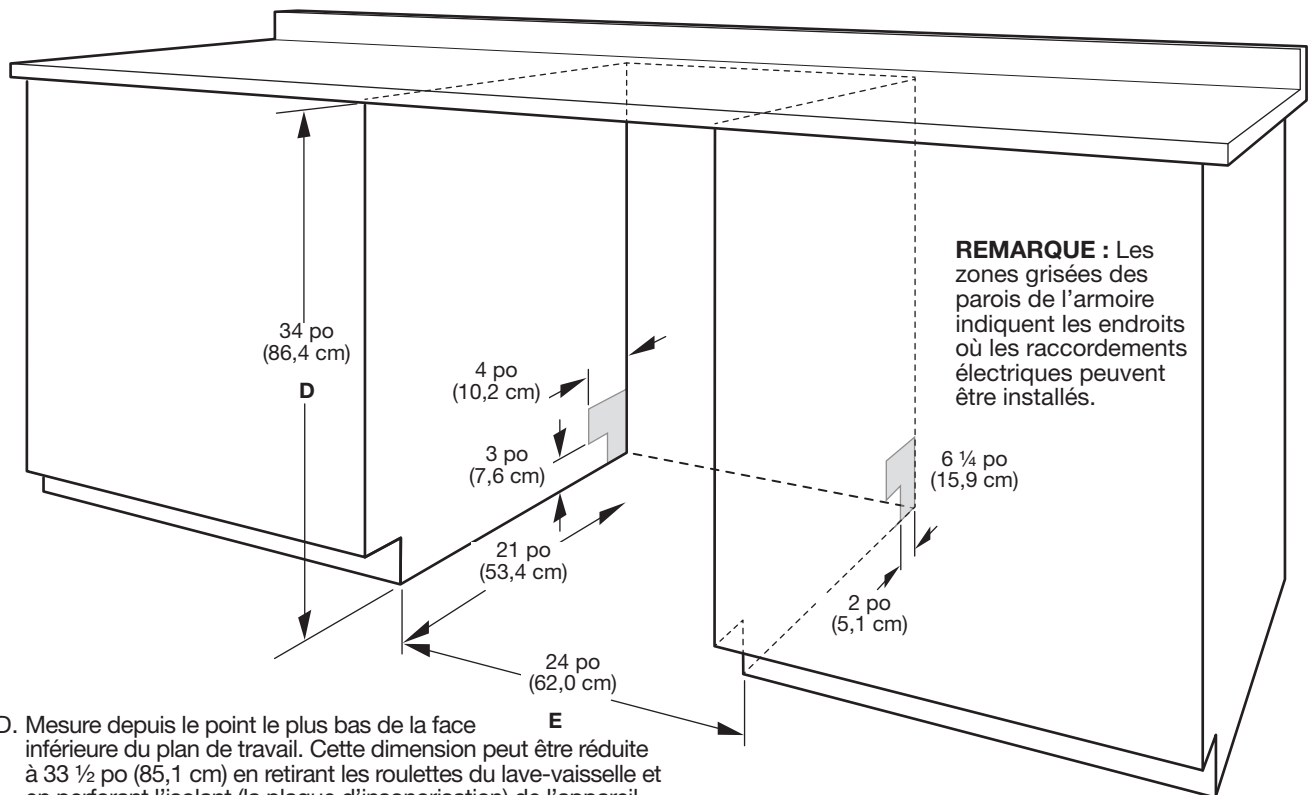
- À l'emplacement d'installation du lave-vaisselle, on doit pouvoir établir le dégagement approprié entre le moteur et le plancher. Les moteurs ne doivent pas toucher le plancher.
- Ne pas installer le lave-vaisselle par-dessus un tapis.

DIMENSIONS D'OUVERTURE DU PRODUIT ET DE L'ARMOIRE :



- A. L'isolant peut être comprimé (utilisé sur certains modèles).
- B. Pour les modèles avec panneaux prêts à installer, la profondeur du lave-vaisselle est de 24 po (61,0 cm) – sans le panneau de porte personnalisé de 3/4 po (1,9 cm).
- C. Les poignées de porte peuvent dépasser vers la façade du lave-vaisselle; varie selon le modèle.

Vérifier que toutes les surfaces n'ont aucune aspérité qui empêcherait l'installation du lave-vaisselle.



REMARQUE : Les zones grisées des parois de l'armoire indiquent les endroits où les raccordements électriques peuvent être installés.

D. Mesure depuis le point le plus bas de la face inférieure du plan de travail. Cette dimension peut être réduite à 33 ¹/₂ po (85,1 cm) en retirant les roulettes du lave-vaisselle et en perforant l'isolant (la plaque d'insonorisation) de l'appareil.

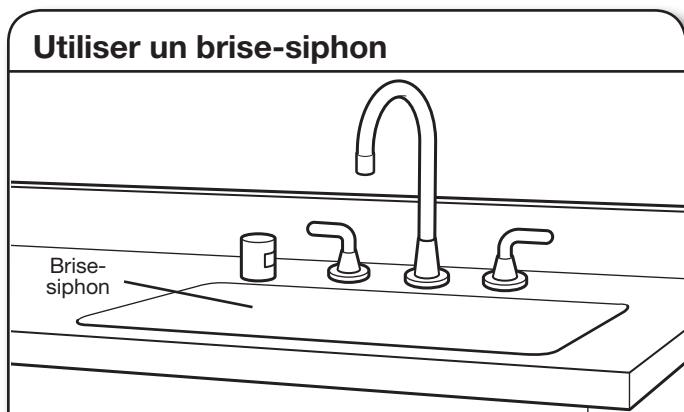
E. Dimension minimale mesurée au point le plus étroit de l'ouverture.

EXIGENCES D'ÉVACUATION

- Un tuyau d'évacuation neuf est fourni avec le lave-vaisselle. Si le tuyau d'évacuation n'est pas suffisamment long, utiliser un tuyau d'évacuation neuf d'une longueur maximale de 12 pi (3,7 m) satisfaisant à toutes les normes de test AHAM/IAPMO en vigueur, qui soit résistant à la chaleur et au détergent et qui convienne au raccord d'évacuation de 1 po (2,5 cm) du lave-vaisselle.

REMARQUE : Ne pas raccorder plusieurs tuyaux de vidange.

- Veiller à raccorder le tuyau d'évacuation à la canalisation d'égout en T ou au raccord de broyeur à déchets en amont du siphon du circuit de plomberie du domicile, et à au moins 20 po (50,8 cm) au-dessus du sol. On recommande de lover le tuyau d'évacuation et de le fixer solidement sur la face inférieure du comptoir ou de le raccorder à un dispositif de brise-siphon.
- Utiliser un dispositif de brise-siphon si le tuyau d'évacuation est raccorder au circuit de plomberie du domicile à moins de 20 po (50,8 cm) au-dessus du sous-plancher ou du plancher.



- Si nécessaire, le dispositif de brise-siphon doit être installé conformément aux instructions d'installation de ce dernier. Lors du raccordement du dispositif de brise-siphon à la canalisation d'égout en T ou au raccord de broyeur à déchets, un tuyau en caoutchouc (non fourni) sera nécessaire.
- Utiliser des raccords de canalisation d'évacuation de diamètre intérieur de 1/2 po (1,3 cm) minimum.

SPÉCIFICATIONS DE L'ALIMENTATION EN EAU

- Ce lave-vaisselle est doté d'une fonction de chauffage de l'eau et doit être raccordé à la canalisation d'alimentation en eau chaude.
- Une canalisation d'eau chaude, sous pression de 20 à 120 lb/po² (138 à 862 kPa), peut être inspectée par un plombier certifié.
- Température de 120 °F (49 °C) à l'entrée du lave-vaisselle.
- Tube de cuivre de 3/8 po (0,95 cm) de diamètre externe avec raccord de compression ou canalisation d'alimentation en eau flexible à tresse d'acier.

REMARQUE : L'emploi d'un tuyau de plastique d'un minimum de 1/2 po (1,3 cm) n'est pas recommandé.

- Raccord coudé à 90° avec raccord de tuyau de 3/4 po (0,95 cm) et rondelle de caoutchouc.
- Ne pas souder à moins de 6 po (15,2 cm) de l'électrovanne d'admission d'eau.
- S'il est installé dans une nouvelle construction, vous assurer que l'entrée d'eau de la maison a été nettoyée avant d'effectuer le branchement au lave-vaisselle pour enlever les débris possibles.

REMARQUE : S'il remplace un lave-vaisselle existant, il est recommandé d'installer une nouvelle entrée d'eau et vider le tuyau de vidange (fourni) avec le nouveau lave-vaisselle.

SPÉCIFICATIONS ÉLECTRIQUES

S'assurer que le raccordement électrique est adéquat et conforme au code national de l'électricité, ANSI/NFPA 70 – dernière édition, et à tous les codes et règlements locaux en vigueur.

Pour obtenir un exemplaire des normes des codes ci-dessus, contacter :

National Fire Protection Association
1 Batterymarch Park
Quincy, MA 02169-7471

Il vous faut :

- Alimentation de 120 V CA à 60 Hz et protégée par un fusible de 15 A ou 20 A
- Conducteurs de cuivre uniquement
- Un maximum de deux conducteurs d'alimentation (calibre 12 AWG maximum) plus un conducteur de mise à la terre est autorisé dans le boîtier de connexion.

Nous recommandons :

- L'utilisation d'un fusible ou disjoncteur temporisé.

Spécifications du circuit :

- Le lave-vaisselle peut être installé sur le même circuit que le broyeur à déchets en s'assurant que ce circuit ne dépasse pas la charge nominale et qu'il respecte les normes et codes dont, mais ne se limitant pas, au code national de l'électricité, ANSI/NFPA 70 – dernière édition.
- Aucun autre raccordement électrique que ceux des conducteurs d'alimentation et de mise à la terre du lave-vaisselle ne peuvent être effectués à l'intérieur du boîtier de connexion du lave-vaisselle.

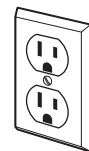
Pour le raccordement du lave-vaisselle avec un cordon d'alimentation électrique :

- Utiliser un cordon d'alimentation (homologation UL) conçu pour utilisation avec un lave-vaisselle.
- Brancher l'appareil sur une prise à 3 alvéoles reliée à la terre. La prise doit être conforme à tous les codes et règlements locaux.



Pour le raccordement direct du lave-vaisselle :

- Utiliser des conducteurs de cuivre gainés non métalliques ou blindés souples avec conducteur de liaison à la terre qui satisfassent aux exigences de l'installation électrique du domicile, et qui soient conformes aux prescriptions des codes et règlements locaux.



- Utiliser un serre-câbles homologué UL ou CSA.



INSTRUCTIONS D'INSTALLATION

⚠ AVERTISSEMENT



Risque de choc électrique

Interrompre l'alimentation électrique avant d'installer le lave-vaisselle (au niveau du tableau de distribution - fusible ou disjoncteur)

Le non-respect de cette instruction peut causer un décès ou un choc électrique.

ÉTAPE 1 :

Une vidéo des étapes de l'installation est accessible en ligne au whirlpool.com dans les sections « Service & Support » (service et soutien), « How To's » (comment faire) et « FAQ ».

2. Déconnecter la source de courant électrique

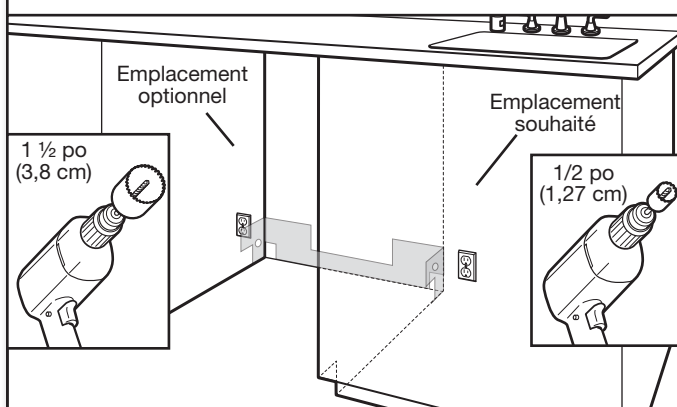
Interrompre l'alimentation électrique au tableau de distribution (fusible ou disjoncteur) avant d'installer le lave-vaisselle.

3. Couper l'arrivée d'eau

Fermer l'approvisionnement en eau du lave-vaisselle.

PRÉPARATION DE L'OUVERTURE D'ENCASTREMENT DE L'ARMOIRE – NOUVEAUX RACCORDEMENTS DE SERVICE

2. Emplacement des trous à percer – nouvelle construction



La prise d'alimentation de l'appareil doit être installée dans une armoire ou au mur adjacent, dans l'espace sous le comptoir où l'appareil sera installé.

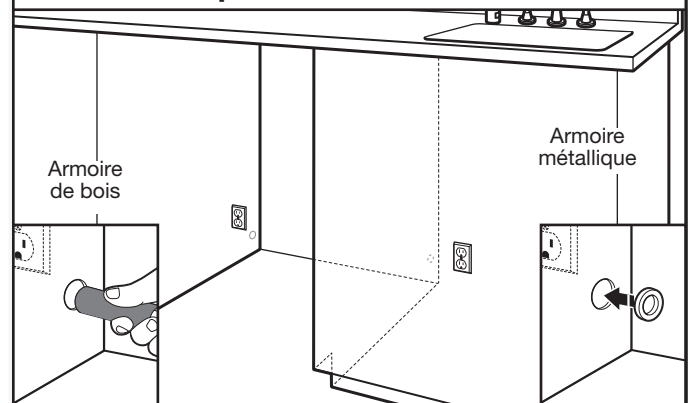
REMARQUE : Consulter la section « Dimensions du produit et de l'emplacement d'installation » pour connaître l'emplacement exact des trous et les dimensions des zones grises.

Percer un trou de 1 ½ po (3,8 cm) pour le tuyau de vidange sur le côté ou l'arrière de l'armoire, en fonction de la position du tuyau de vidange et de son emplacement de connexion.

Percer un trou de 1/2 po (1,27 cm) pour le tuyau d'arrivée d'eau sur le côté ou l'arrière de l'armoire, en fonction de la position du tuyau d'arrivée d'eau et de son emplacement de connexion

Percer un trou de 1 ½ po (3,8 cm) pour le câblage électrique sur le côté droit ou à l'arrière de l'armoire.

1. Poncer pour obtenir des tours lisses



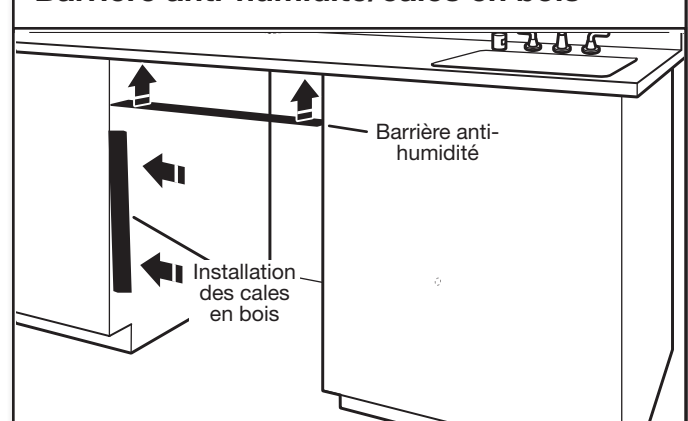
Armoire de bois : Poncer le trou jusqu'à obtenir une surface lisse.

Armoire métallique : Couvrir le contour du trou avec l'œillet fourni avec l'ensemble du cordon d'alimentation.

Conseil utile : Le raccordement au lave-vaisselle sera plus facile si on achemine le câble par le côté droit de l'ouverture d'encastrement de l'armoire.

INSTALLER LA BARRIÈRE ANTI-HUMIDITÉ EN OPTION – RECOMMANDÉE POUR LES COMPTOIRS EN BOIS

Barrière anti-humidité/cales en bois

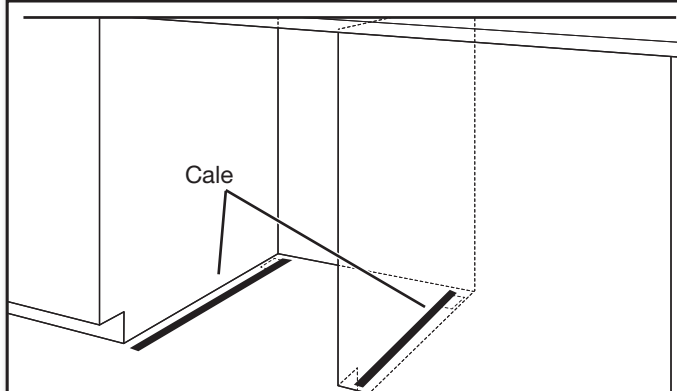


Veiller à ce que la zone se trouvant sous l'armoire soit propre et sèche avant d'installer la barrière anti-humidité. Ôter la protection de la barrière anti-humidité et appliquer la barrière sur le dessous du comptoir, le long de la rive avant du comptoir.

REMARQUE : L'utilisation de cette barrière anti-humidité est recommandée, mais non obligatoire.

REMARQUE : Utiliser des cales en bois si la fixation de côté et l'espacement entre les côtés de l'armoire et du lave-vaisselle sont supérieurs à 1/2 po (1,27 cm) de chaque côté ou supérieur à la longueur des vis d'ancrage.

5. Surélever le plancher – ajouter des cales au besoin

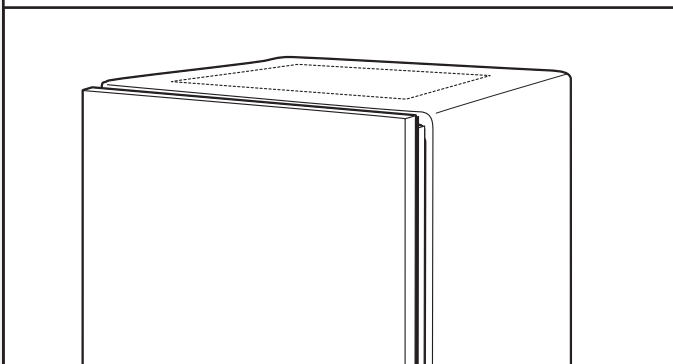


Remarque : Les profilés de bois qui accompagnent avec la base d'expédition peuvent servir de cales.

Surélever le plancher : Si le plancher de la cuisine est plus élevé que le plancher de l'ouverture de l'armoire (par exemple, le carrelage du plancher de la cuisine n'arrive pas jusque dans l'ouverture de l'armoire), ajouter des cales selon le besoin dans la zone indiquée pour surélever le plancher de l'armoire à la même hauteur que le plancher de la cuisine.

REMARQUE : Pour éviter tout déplacement des cales durant le fonctionnement du lave-vaisselle, les cales doivent être solidement fixées au plancher.

6. Si installé dans une ouverture de 33 ½ po (85,1 cm)

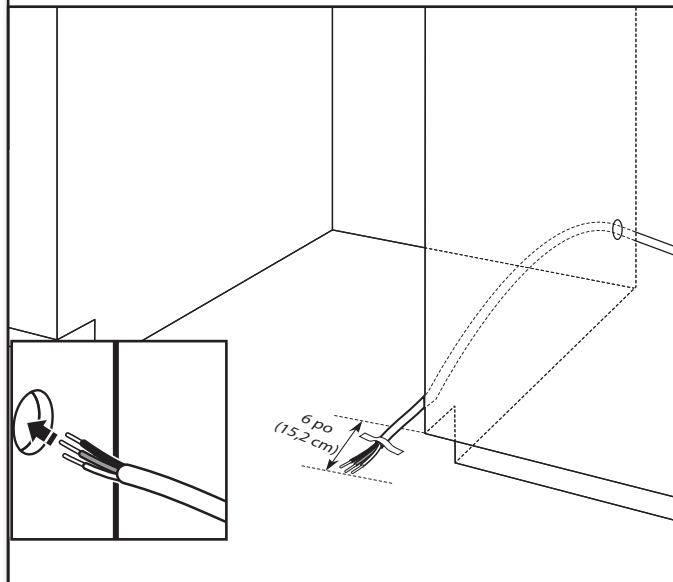


Découper la plaque d'insonorisation le long des perforations pour une ouverture d'armoire d'une hauteur de 33 ½ po (85,1 cm). Pour les autres hauteurs d'ouverture d'armoire, ne pas découper.

RACCORDEMENT ÉLECTRIQUE

- Pour un raccordement direct, commencer à l'étape 7
- Pour un cordon d'alimentation, attendre jusqu'à l'étape 18

7. Raccordement direct – position du câble



Passer le câble comme indiqué pour un raccordement direct. Ne pas brancher pour l'instant le câble au produit. Ce branchement sera effectué plus tard, une fois que l'appareil sera installé dans l'ouverture de l'armoire.

Acheminer le câble de l'alimentation électrique à travers le trou dans l'armoire. (le câble doit dépasser par le côté avant droit de l'ouverture d'encastrement de l'armoire.) Fixer le câble au plancher avec du ruban adhésif dans la zone indiquée. Cela empêchera le câble de bouger lors du déplacement du lave-vaisselle dans l'ouverture de l'armoire.

PRÉPARATION DU LAVE-VAISSELLE

⚠ AVERTISSEMENT



Risque de basculement

Ne pas utiliser le lave-vaisselle jusqu'à ce qu'il soit complètement installé.

Ne pas appuyer sur la porte ouverte.

Le non-respect de ces instructions peut causer des blessures graves ou des coupures.

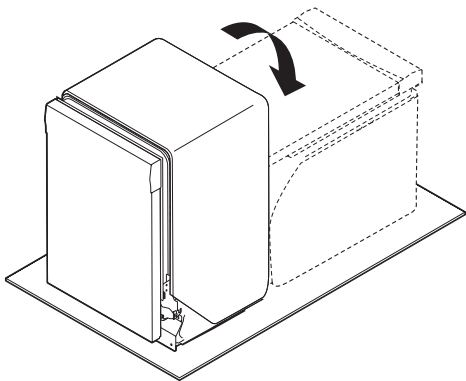
⚠ AVERTISSEMENT

Risque du poids excessif

Utiliser deux personnes ou plus pour déplacer et installer le lave-vaisselle.

Le non-respect de cette instruction peut causer une blessure au dos ou d'autre blessure.

8. Placer le lave-vaisselle sur son dos



Conseil utile : Retirer tout le matériel d'expédition interne, le tuyau de vidange, la trousse d'installation et la poignée (si incluse), avant de le coucher sur le dos. Ne pas retirer la pellicule de la porte pour le moment.

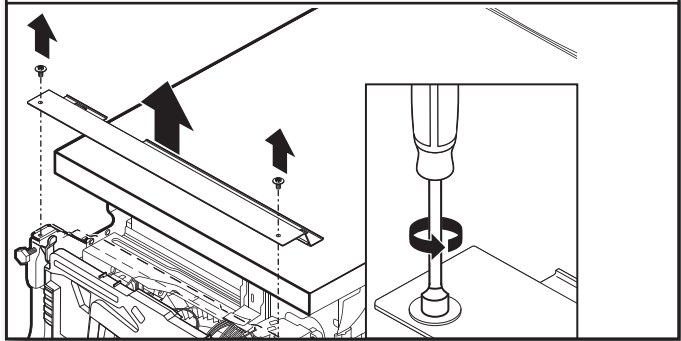
Placer une feuille de carton sous le lave-vaisselle jusqu'à son installation dans l'ouverture d'encastrement de l'armoire pour éviter d'endommager le revêtement de sol.

À l'aide d'au moins deux personnes, saisir les côtés de l'encadrement de la porte du lave-vaisselle et placer le lave-vaisselle sur le dos.

Afin d'éviter d'érafler le panneau de porte, ne pas se servir du panneau de porte comme planche de travail sans l'avoir recouvert d'une serviette au préalable.

RETRAIT DU PANNEAU D'ACCÈS ET DE L'ISOLATION

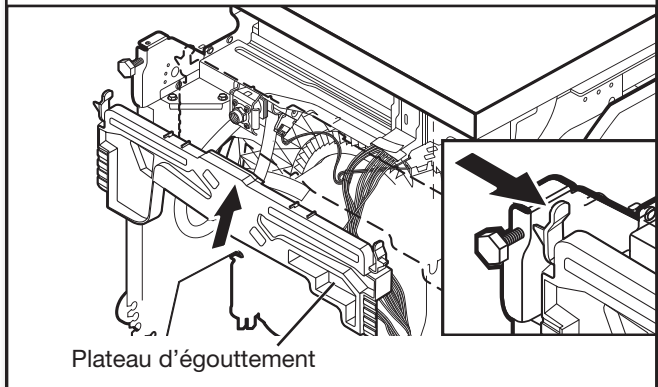
9. Retrait des panneaux d'accès



À l'aide d'un tourne-écrou de 5/16 po (7,9 mm), ôter les deux vis fixant les panneaux d'accès au lave-vaisselle. Après avoir enlevé les vis, pousser le panneau d'accès vers le haut du projet pour le déverrouiller, puis l'enlever.

DÉBRANCHER ET ENLEVER LE PLATEAU D'ÉCOULEMENT

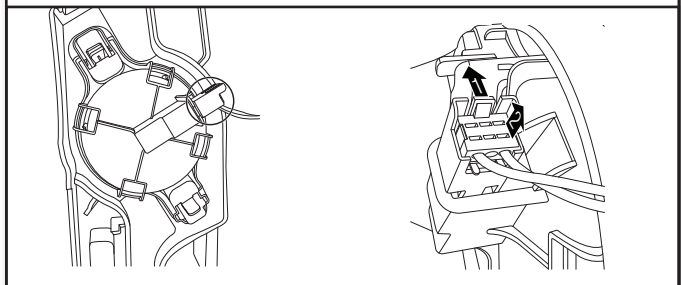
10a. Enlever le plateau d'égouttement



Plateau d'égouttement

Pour retirer le plateau d'égouttement, appuyer vers l'intérieur sur les boutons situés de chaque côté du plateau en plastique et tirer vers vous. Faire attention de ne pas tirer trop loin ou trop fort puisque le fil du contacteur à flotteur est toujours branché.

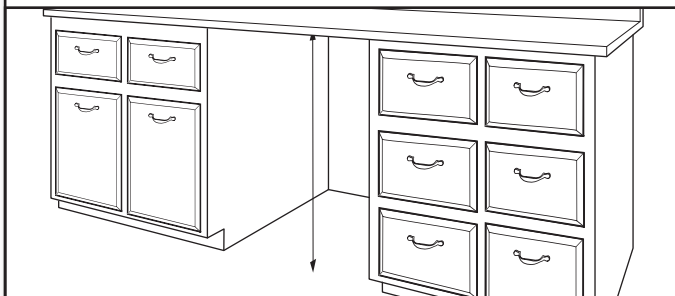
10b. Retirer le fil du contacteur à flotteur



Pour retirer le fil du contacteur à flotteur, pousser doucement sur l'onglet de fermeture du connecteur (1), puis tirer le connecteur (2) à l'extérieur du boîtier. Le flotteur ne devrait pas être enlevé du plateau.

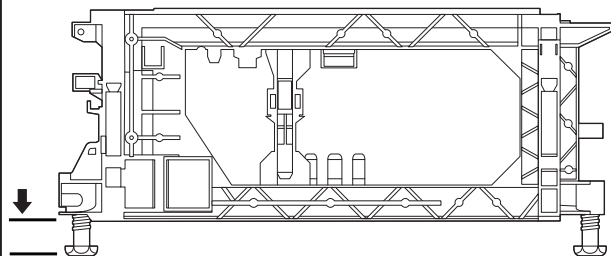
REMARQUE : Ne pas installer le plateau d'égouttement avant d'en être instruit.

11. Mesure de l'ouverture d'encastrement



Mesurer la hauteur libre de l'espace d'installation, sous le comptoir où le lave-vaisselle sera installé. Vous assurer de mesurer le point le plus bas sous le comptoir et le point le plus sur le sol.

Réglage des pieds de nivellement



Utiliser une clé pour desserrer les pieds de nivellement (au besoin).

Réglez les quatre pieds de nivellement à la même hauteur en faisant tourner chaque pied dans le sens horaire ou antihoraire (au besoin).

L'appareil est accompagné d'un ensemble de pieds qui permet une hauteur d'installation de 33 ½ po (85,1 cm). Si la hauteur de l'ouverture est de 34 ½ po (87,6 cm), il faudra abaisser les quatre pieds de 1 po (2,54 cm).

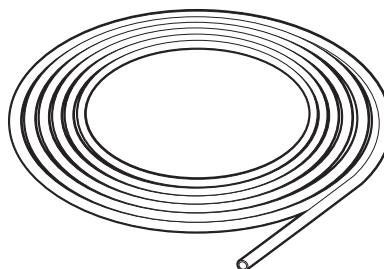
REMARQUE : Ajuster la hauteur des pieds arrière avant de déplacer l'appareil dans la découpe.

Les pieds peuvent être enlevés si l'installation est serrée.

BRANCHEMENT DE L'ARRIVÉE D'EAU À LA VALVE DE DISTRIBUTION

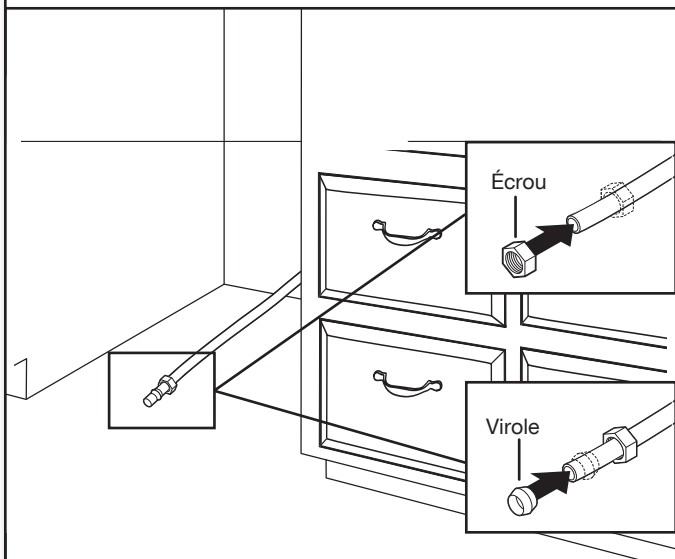
- Pour un tuyau en cuivre, commencer à l'étape 12
- Pour un tuyau flexible, commencer à l'étape 14

12. Conduite d'eau en cuivre



Si on utilise un tuyau en cuivre, mesurer la longueur de tuyau en cuivre nécessaire pour atteindre l'alimentation en eau, couper à cette longueur et fixer les raccords de compression.

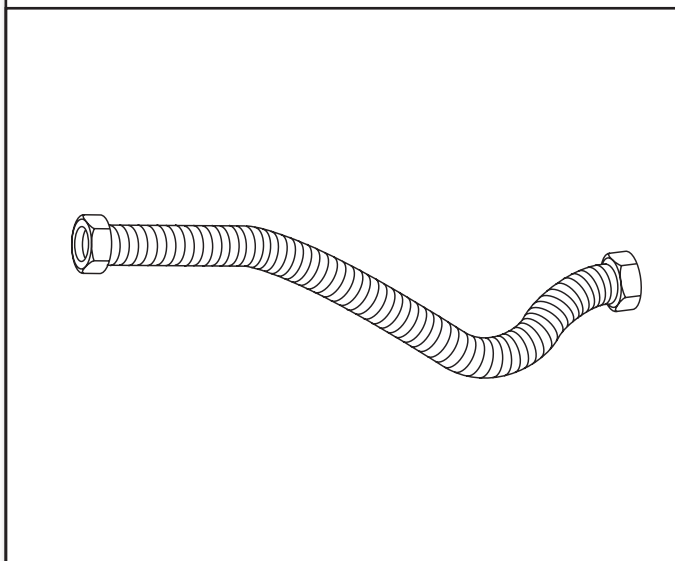
13. Enfiler l'écrou et la virole sur le tube (tube de cuivre uniquement)



Canalisation en cuivre uniquement : Insérer la canalisation dans le raccord coudé de 90° aussi loin que possible. (La canalisation en cuivre se plie et s'écrase facilement.) Glisser l'écrou et la virole vers l'avant et serrer pour que l'ensemble repose contre les filets du coude.

REMARQUE : Pour réduire les vibrations durant le fonctionnement, acheminer la canalisation d'alimentation en eau de telle manière qu'elle ne touche pas la base, le châssis ou le moteur de l'appareil. Si une canalisation en cuivre est utilisée, passer l'étape 14 et poursuivre à l'étape 15.

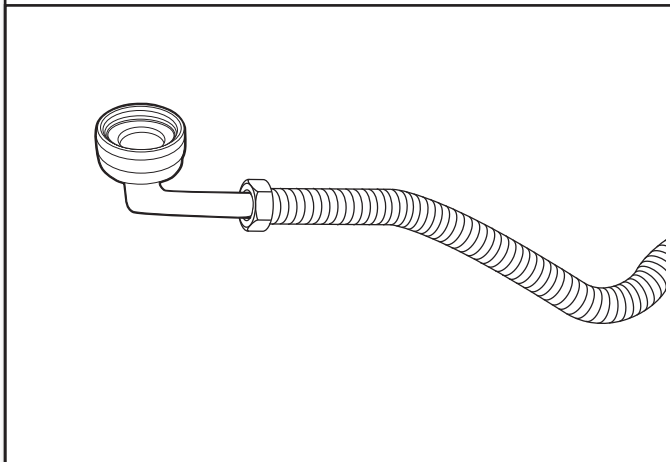
14. Tuyau flexible



Tuyau flexible à tresse d'acier : Vérifier que le tuyau flexible à tresse d'acier est suffisamment long.

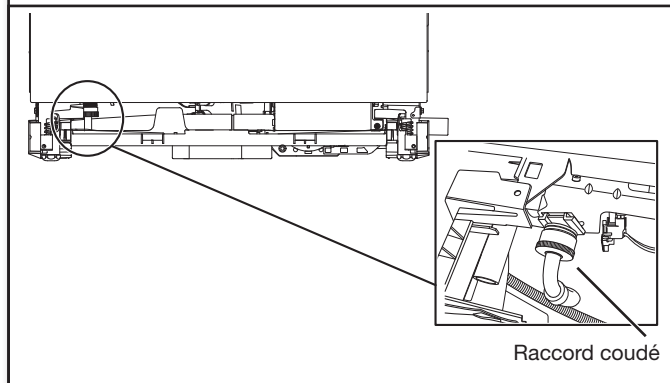
Prendre le raccord de tuyau coudé à 90° de 3/8 po x 3/4 po. Brancher le raccord de tuyau coudé à 90° de 3/8 po à l'arrivée d'eau. Le fixer de façon à ce que le raccord de 3/4 po soit orienté vers le haut, comme illustré ci-dessus.

15. Raccorder le raccord coudé de 90° à la canalisation d'alimentation en eau



BRANCHEMENT DU TUYAU DE REMPLISSAGE À LA VALVE DE DISTRIBUTION

16. Raccorder le raccord coudé de 90° à la valve



S'assurer que la rondelle de caoutchouc est correctement installée dans le raccord. Enfiler le raccord de 3/4 po (19 mm) du coude à 90° jusqu'au robinet et serrer à la main pour éviter de visser de travers. Serrer à la main jusqu'à ce que le raccord soit serré.

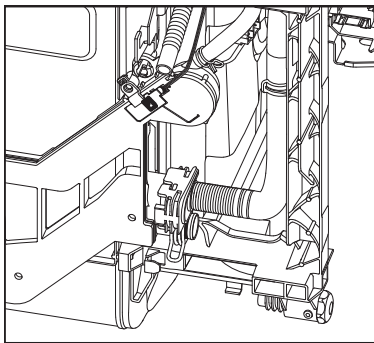
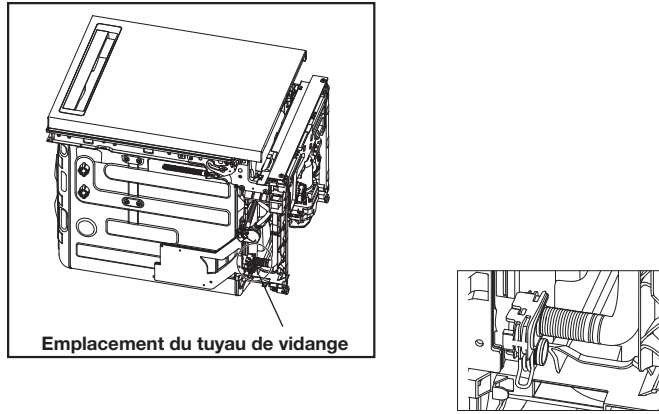
À l'aide d'une pince, vérifier l'étanchéité du raccord. Un serrage supplémentaire de 1/4 à 1/2 tour peut être nécessaire pour sceller le joint d'étanchéité en caoutchouc. Passer le tuyau par le côté arrière gauche de l'unité.

REMARQUES :

- Ne pas utiliser de ruban avec les raccords de compression.
- Ne pas serrer excessivement. Le raccord risque d'être endommagé.
- Passer la canalisation d'alimentation en eau par l'arrière de l'appareil avant de régler l'appareil.

RACCORD DU TUYAU DE VIDANGE

17. Raccordement du tuyau de vidange



Placer la bride argent sur l'extrémité coudée du tuyau de vidange. Pousser ensuite le tuyau sur l'orifice de vidange en s'assurant que le tuyau fait face au-dessous du lave-vaisselle. À l'aide d'une pince, ouvrir la bride du tuyau de vidange et la glisser sur le coude pour s'assurer que ce tuyau est bien fixé en place. Passer le tuyau par l'arrière du produit.

REMARQUE :

- Si le tuyau est installé avec le coude en caoutchouc qui fait face vers l'extérieur, le tuyau d'évacuation pourrait se déformer, ce qui pourrait ralentir ou interrompre la vidange dans les installations serrées.
- Pour des raisons d'expédition, il peut y avoir un bouchon de plastique dans le port de vidange où le drain de vidange sera raccordé. Retirer, s'il est présent, ce bouchon avant d'installer le tuyau de vidange.

BRANCHEMENT DU CORDON D'ALIMENTATION

⚠ AVERTISSEMENT



Risque de choc électrique

Brancher sur une prise à 3 alvéoles reliée à la terre.

Ne pas enlever la broche de liaison à la terre.

Ne pas utiliser un adaptateur.

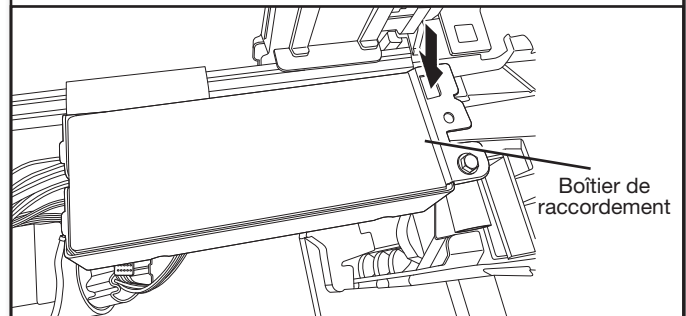
Ne pas utiliser un câble de rallonge.

Le non-respect de ces instructions peut causer un décès, un incendie ou un choc électrique.

Si le produit est installé avec un cordon d'alimentation.

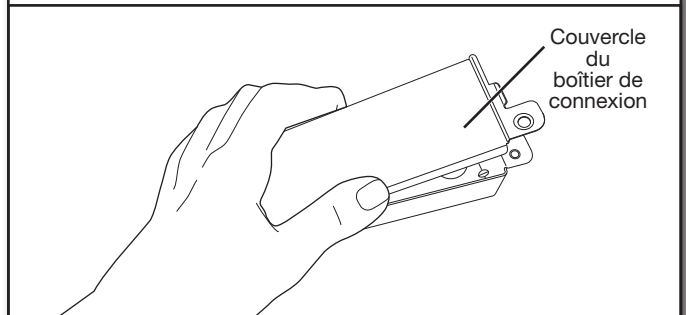
REMARQUE : Passer le tuyau de vidange par l'arrière de l'appareil avant de remettre l'appareil debout. Passer à l'étape 18. Si le produit est installé avec un câble direct, attendre après l'étape 44, une fois l'appareil placé dans l'ouverture de l'armoire.

18. Retirer le boîtier de raccordement



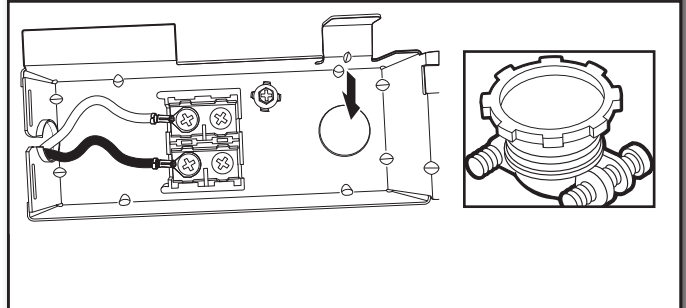
Pour retirer le boîtier de raccordement, appuyer sur le fermoir en plastique, glisser la boîte vers la gauche de l'appareil contre le tube de métal et faire tourner le côté gauche de la boîte vers l'avant. S'assurer que le câblage du produit reste attaché dans le boîtier de raccordement.

19. Ôter le couvercle de la boîte de connexion



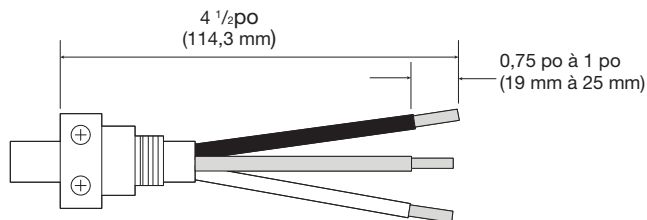
À l'aide d'un tourne-écrou de 1/4 po (6,4 mm), retirer la vis fixant le couvercle du boîtier de raccordement. Retirer le couvercle en le soulevant du boîtier. Conserver le couvercle pour utilisation ultérieure.

20. Installation du serre-câbles



Installer un serre-câbles métallique (homologation UL/CSA). S'assurer que les têtes de vis soient orientées vers le haut lors du serrage de l'écrou à conduit. Un serre-câbles est fourni dans l'ensemble du cordon d'alimentation.

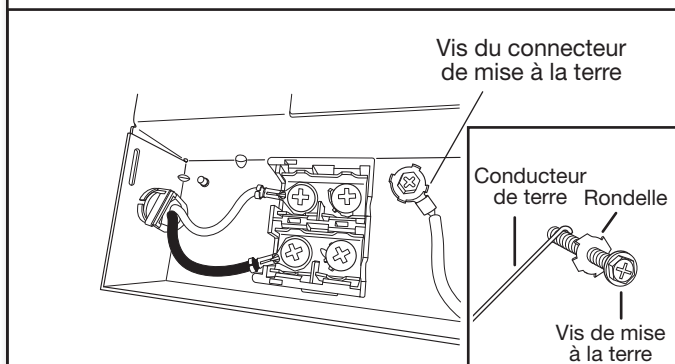
Longueur de câble suggérée en lien avec le serre-câbles



Configuration de câblage

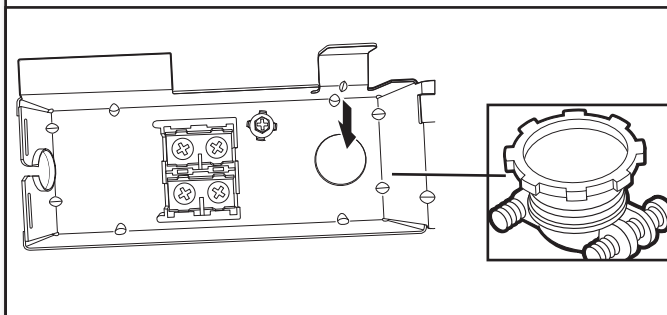
Power supply wire:	↔	Terminal box wire:
white		white
black		black
ground wire		ground connector

21. Connecter le conducteur de liaison à la terre



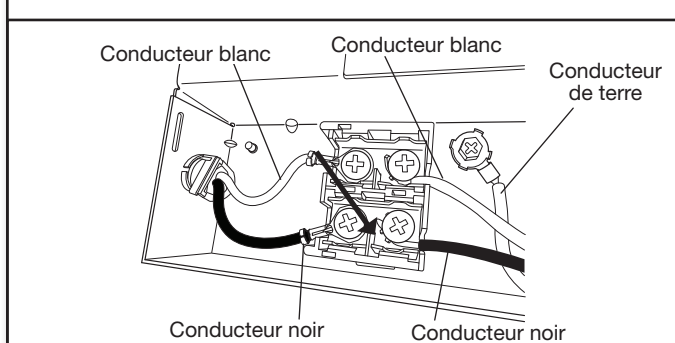
Passer le cordon d'alimentation dans le serre-câbles situé à l'arrière du boîtier de raccordement. Retirer la vis de liaison à la terre du plancher surélevé à l'intérieur du boîtier et la placer à travers la borne en anneau de la vis verte de mise à la terre du cordon d'alimentation. Rattacher et serrer la vis de liaison à la terre sur le plancher surélevé du boîtier.

23. Fixer le cordon ou le fil sur le serre-câbles



Resserrer les vis du serre-câbles pour fixer le cordon.

22. Connecter les conducteurs restants



Utiliser un cordon d'alimentation homologué UL/CSA pour le lave-vaisselle.

Ensemble pour cordon d'alimentation

L'ensemble comprend habituellement un cordon d'alimentation, un serre-câbles métallique et un œillet.

(Numéro de pièce Whirlpool de la trousse avec cordon – droit – W11365011

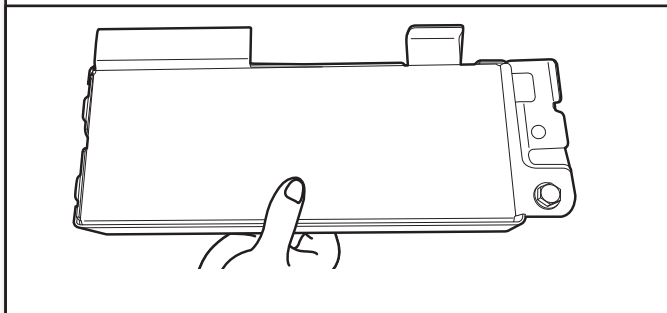
trousse avec cordon – angle droit – W11365014)

Pour brancher les fils aux cosses rondes, retirer les vis du bornier, passer les vis à travers les cosses rondes, puis les revisser au bornier.

Pour brancher les fils sans cosse ronde, retirer les vis du bornier, placer les bouts de fil sous les têtes de vis, puis serrer les vis.

REMARQUE : Des fils préétablis ne devraient pas être utilisés pour le raccordement au bornier.

24. Réinstaller le couvercle et les fils du boîtier de raccordement



Placer les conducteurs à l'intérieur du boîtier de connexion. Remettre le couvercle en place en insérant les crochets du couvercle du boîtier de connexion dans les encoches du fond du boîtier de connexion, et en enfilant le couvercle bien serré contre le mur arrière où passent les câbles. S'assurer que les câbles sont bien logés à l'intérieur du boîtier et ne sont pas coincés sous le couvercle.

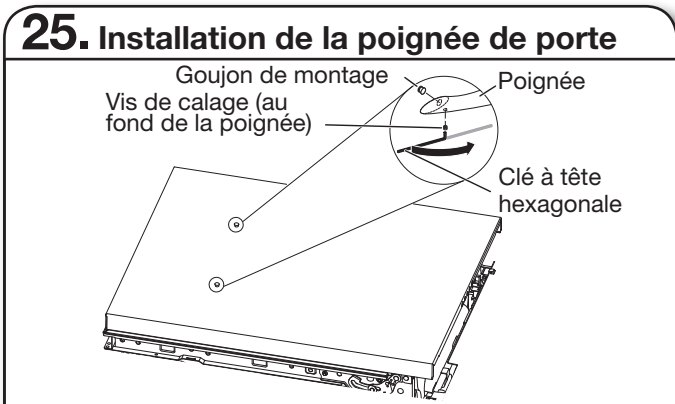
Replacer le boîtier de raccordement sur le croisillon et le pousser vers la droite pour que le boîtier de raccordement se fixe à la partie latérale en plastique.

REMARQUES :

- Une fois le boîtier de raccordement réinstallé dans le lave-vaisselle, glisser tout excédant de fils sur les composants à proximité pour aider à ce qu'ils ne touchent pas au sol.
- Passer le cordon par l'arrière du lave-vaisselle pour qu'il ne touche pas le moteur du lave-vaisselle ou la partie inférieure de la cuve du lave-vaisselle.
- Ne pas brancher le cordon dans une prise avant d'en avoir reçu l'instruction.
- Un maximum de 2 cordons d'alimentation (calibre 12 AWG maximum) plus 1 conducteur de mise à la terre est autorisé dans le boîtier de connexion.

IMPORTANT : AUCUNE AUTRE CONNEXION QUE CELLE DU RACCORDEMENT D'ALIMENTATION, DU LAVE-VAISSELLE NE PEUT ÊTRE EFFECTUÉE À L'INTÉRIEUR DU BOÎTIER DE RACCORDEMENT DU LAVE-VAISSELLE.

INSTALLER LA POIGNE DE PORTE (SUR CERTAINS MODÈLES)



IMPORTANT : Ne pas érafler le panneau avant au cours de ce processus. Si le panneau de porte est muni d'une pellicule de protection, l'enlever jusqu'au point de fixation de la poignée avant d'installer cette dernière. La poignée est plus facile à installer lorsque l'appareil est sur le dos.

Retirer les poignées de porte et la clé à tête hexagonale de leur emballage. Des vis de blocage sont préinstallées sur la poignée. Placer la poignée sur les poteaux de colombage avec les vis de blocage orientées vers le bas. Pousser la poignée de porte fermement en appui contre la porte. Insérer le côté court de la clé à tête hexagonale dans les vis de blocage. Serrer les vis de 1/4 de tour au-delà de la butée.

Conserver la clé à tête hexagonale avec les instructions d'installation.

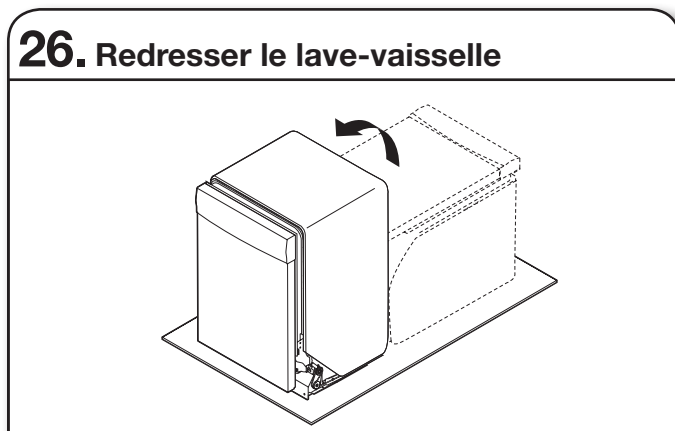
PLACER LE LAVE-VAISSELLE DANS L'ARMOIRE

AVERTISSEMENT

Risque du poids excessif

Utiliser deux personnes ou plus pour déplacer et installer le lave-vaisselle.

Le non-respect de cette instruction peut causer une blessure au dos ou d'autre blessure.



À l'aide d'au moins deux personnes, mettre le lave-vaisselle en position verticale.

REMARQUE : Ne pas installer le garde-pieds avant d'en avoir reçu l'instruction.

Le lave-vaisselle peut s'adapter parfaitement dans l'ouverture d'encastrement. Ne pas enlever le garnissage d'insonorisation/isolation – il réduit le niveau sonore.

IMPORTANT : Veiller à ne pas coincer la canalisation de cuivre, le tuyau d'évacuation, le cordon d'alimentation ou le câble de raccordement direct entre le lave-vaisselle et l'armoire. Enlever la feuille de carton placée sous le lave-vaisselle (si utilisée).

Installer les gaines latérales en mousse (sur certains modèles)

Installer les gaines latérales en mousse sur les côtés gauche et droit du lave-vaisselle. Il y a trois points de fixation de chaque côté.

- Fixation 1 : Trouver la fente sur la gaine latérale et la fixer au crochet situé sur le côté du lave-vaisselle. (Voir l'illustration 1)

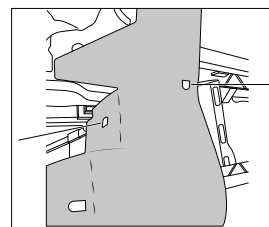


Illustration : 1

- Fixation 2 : Trouver l'autre fente de la gaine latérale et la fixer au crochet situé à l'avant du lave-vaisselle. (Voir l'illustration 2)

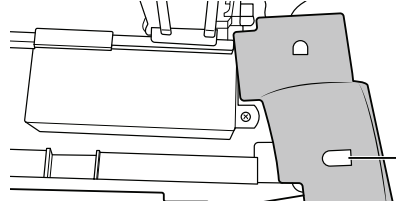


Illustration : 2

- Fixation 3 : Aligner le trou rectangulaire de la gaine latérale avec le trou de vis du panneau inférieur. Insérer la vis du panneau inférieure (voir l'illustration 3) et visser sans serrer pour maintenir le tout en place jusqu'à ce que le panneau inférieur soit installé.

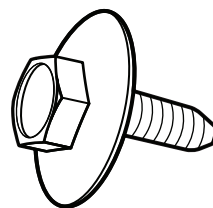


Illustration : 3

- Glisser la partie inférieure des gaines latérales sous le lave-vaisselle. (Voir les illustrations 4 et 5)

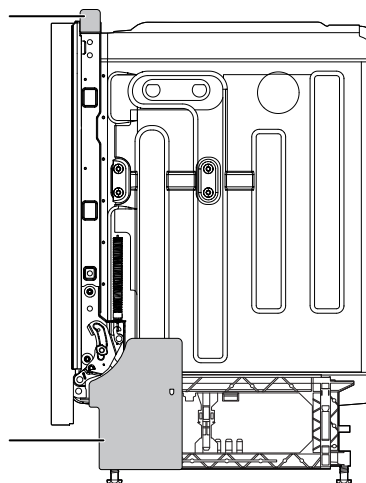


Illustration : 4

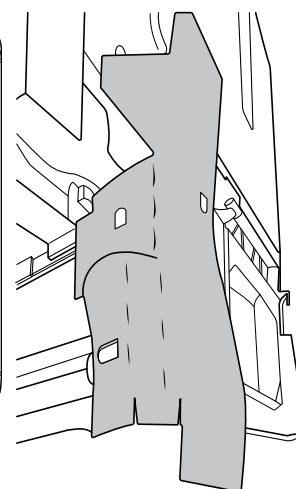
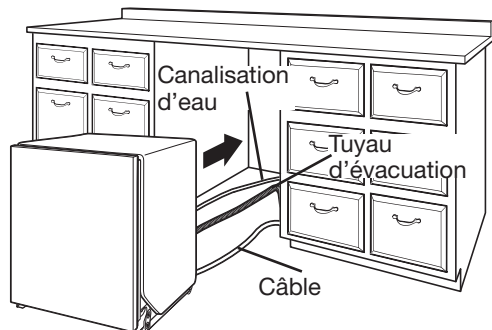


Illustration : 5

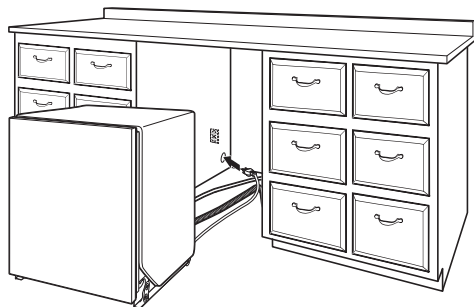
REMARQUE : Passer l'arrivée d'eau, le tuyau de vidange et le cordon d'alimentation par l'arrière du lave-vaisselle. Si le produit est muni d'une isolation autour de la base, passer ces cordons dans les fentes de l'isolation situées à l'arrière du produit.

27. Déplacer le lave-vaisselle près de l'ouverture d'encastrement



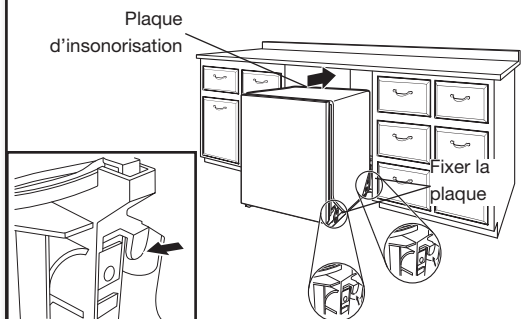
Passer les raccordements par les trous du cabinet et tirer l'excédent en même temps que le lave-vaisselle est positionné dans son espace.

28. Faire passer le cordon d'alimentation



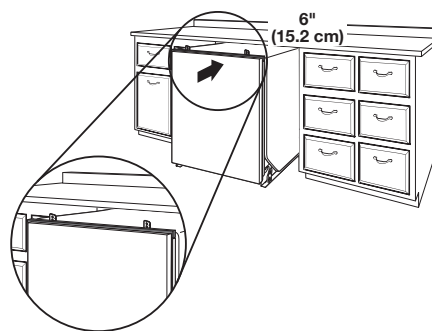
En cas d'utilisation d'un cordon d'alimentation, veiller à faire passer l'extrémité de celui-ci dans le trou de l'ouverture découpée avant de pousser le lave-vaisselle à sa place.

29. Fixer la plaque d'insonorisation



REMARQUE : S'assurer que l'insonorisation est bien fixée aux coins arrière gauche et droit avant de pousser le lave-vaisselle en place pour qu'elle ne s'entasse pas lorsque l'espace est restreint. La plaque peut être fixée en tirant l'isolation vers le bas du produit et en s'assurant que les crochets sur les côtés de la pièce sont insérés dans les fentes de la plaque d'isolation.

30. Insérer le lave-vaisselle en laissant 6 po (15,2 cm) dépasser de l'avant des armoires

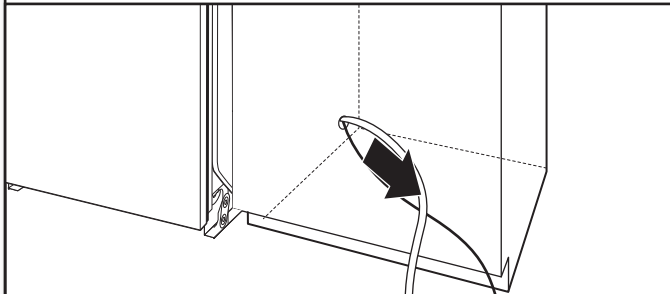


■ Placer la mousse d'isolation sonore du haut (sur certains modèles)

- Glisser la mousse du haut dans la fente située sur le collet supérieur du lave-vaisselle, comme indiqué dans l'illustration.

REMARQUE : Laisser sortir environ 6 po (15,2 cm) de l'armoire pour permettre l'installation des supports d'ancrage.

31. Tirer l'excédent des raccordements



REMARQUE : Tirer l'excédent en même temps que le lave-vaisselle est poussé en place dans son ouverture pour éviter la formation de coudes.

INSTALLATION DU PANNEAU PERSONNALISÉ (MODÈLES AVEC PANNEAU PERSONNALISÉ SEULEMENT)

Pour l'installation du panneau personnalisé, consulter les instructions d'installation du panneau personnalisé incluse dans le sac de documents. Terminer l'installation du panneau personnalisé avant de continuer avec la section « Choix de l'option de fixation ».

CHOIX DE L'OPTION DE FIXATION

IMPORTANT : Le lave-vaisselle doit être fixé à l'armoire lors de l'une des étapes finales. Préparer le lave-vaisselle pour cette opération en y fixant les deux attaches placées dans le sachet de pièces.

- Pour une surface de travail en bois, stratifiée ou une autre surface semblable, utiliser les fixations pour plan de travail, puis passer à l'étape 32.

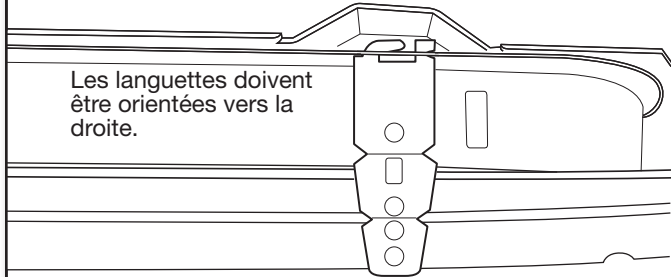
- Pour une surface de travail en marbre, granite ou une autre surface semblable, utiliser les fixations pour les côtés, puis passer à l'étape 33.

REMARQUE : Si l'espace entre le haut de la porte et le dessous du plan de travail est petit (moins de 1/4 po [6,35 mm]), il est suggéré d'utiliser les fixations de côtés pour éviter de rayer l'interface utilisateur ou la console avec les vis de fixation.

Fixation à la surface de travail :

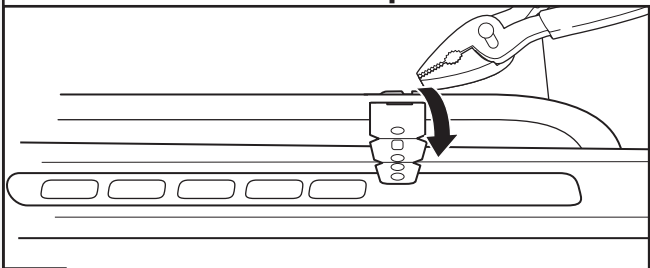
32. Insérer les brides

Les languettes doivent être orientées vers la droite.



Retirer les brides de l'emballage et les insérer dans les fentes ouvertes sur les côtés supérieurs droit et gauche du collet du lave-vaisselle, comme indiqué.

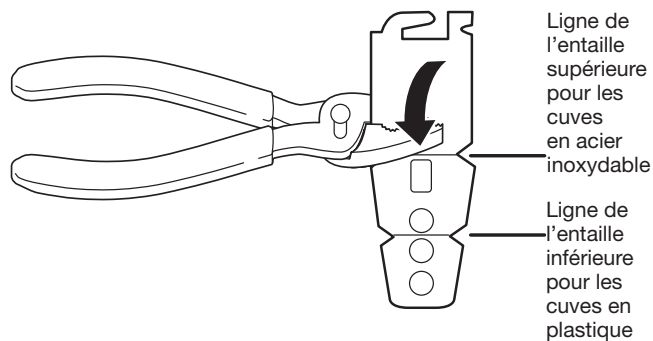
32a. Fixation au comptoir



À l'aide des pinces, plier/tordre la languette pour verrouiller les brides en place.

Fixation sur les côtés :

33. Briser le bout du support pour une fixation latérale



Briser l'extrémité de la bride le long des pointillés à l'aide de pinces. Utiliser un papier à poncer pour éliminer les bavures.

34. Installer le support pour une fixation latérale



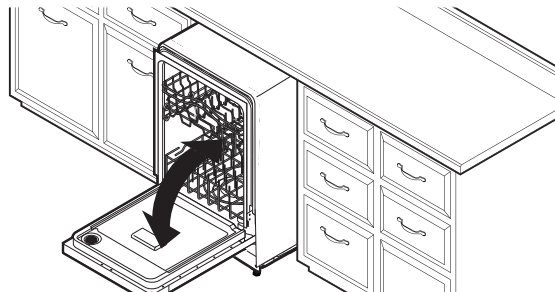
Enfoncer la bride dans la fente sur le côté du lave-vaisselle et replier la languette vers le côté du lave-vaisselle pour maintenir la bride en place. Répéter cette étape pour l'autre côté du lave-vaisselle.

REMARQUE : Utiliser des cales en bois si l'espace entre les côtés de l'armoire et du lave-vaisselle est supérieur à 1/2 po (1,3 cm) de chaque côté.

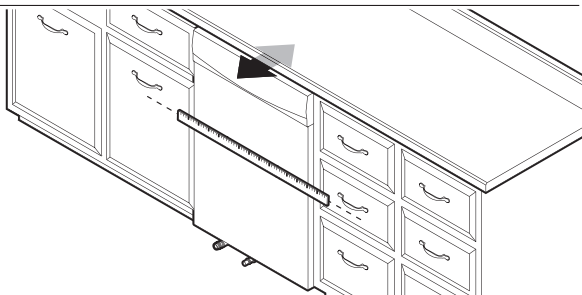
REMARQUE : Ne pas fixer le lave-vaisselle. Cette étape sera effectuée plus tard.

VÉRIFICATION FINALE DE L'INSTALLATION

35. Ouvrir et fermer la porte

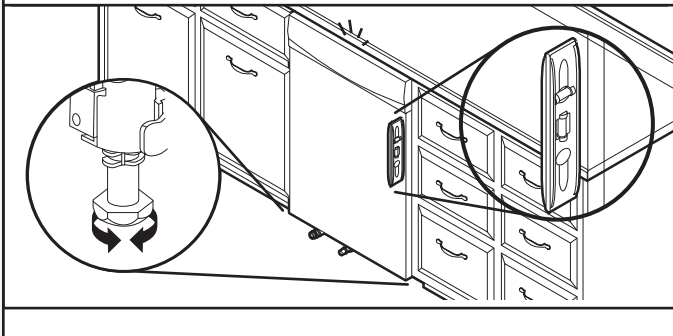


36. Aligner l'avant du lave-vaisselle avec les portes des armoires



Aligner l'avant du panneau de porte du lave-vaisselle avec les portes des armoires. Il faudra peut-être ajuster l'alignement de celui-ci pour qu'il soit en affleurement avec les armoires.

37. Vérifier l'aplomb et régler les pieds au besoin

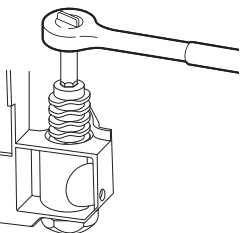


- Vérifier que chaque pied de réglage de l'aplomb est fermement en appui sur le sol. Fermer et verrouiller la porte; placer un niveau contre le panneau avant. Vérifier que le lave-vaisselle est centré de l'avant vers l'arrière dans l'ouverture. Si nécessaire, régler le pied de nivellement jusqu'à ce que le lave-vaisselle soit d'aplomb. Répéter ces opérations pour l'autre côté du lave-vaisselle.
- Une fois le niveau du lave-vaisselle réglé, vérifier que les paniers ne sortent pas par eux-mêmes lorsque la porte est ouverte. Régler les pieds de nivellement avant jusqu'à ce que les paniers ne sortent plus, sauf s'ils sont tirés.

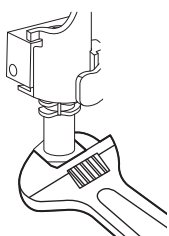
Conseil utile : Pousser contre l'avant du lave-vaisselle pour le soulever et pouvoir ajuster les pieds avant. Pour certaines installations, il peut être plus facile de régler le pied avant à l'aide d'une clé à douille hexagonale ou une clé à molette de 7 mm. Si l'espace entre le haut de la porte et le dessous du plan de travail est petit (moins de 1/4 po [6 mm]), il est suggéré d'utiliser les fixations de côtés pour éviter de rayer l'interface utilisateur ou la console.

Mettre de niveau les pieds avant

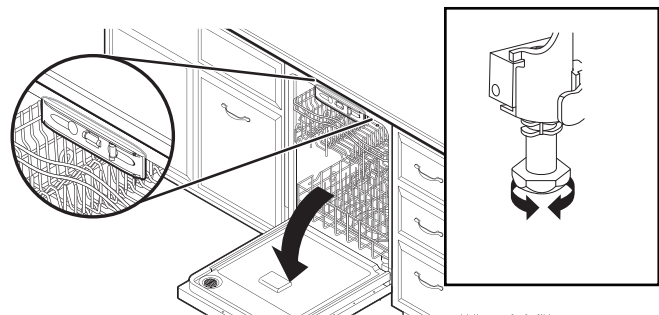
Méthode souhaitée



Méthode optionnelle



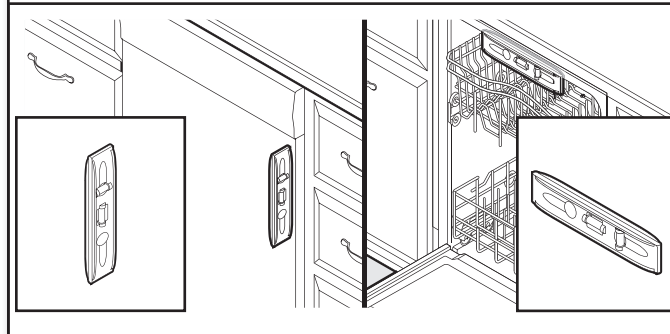
38. Vérifier le niveau de gauche à droite et régler les pieds au besoin



Placer le niveau contre la partie supérieure de l'ouverture avant de la cuve. Vérifier l'aplomb transversal de l'appareil. Si le lave-vaisselle n'est pas d'aplomb, régler la hauteur des pieds avant vers le haut ou vers le bas jusqu'à ce que le lave-vaisselle soit d'aplomb.

FIXATION DU LAVE-VAISSELLE DANS L'OUVERTURE D'ENCASTREMENT DE L'ARMOIRE

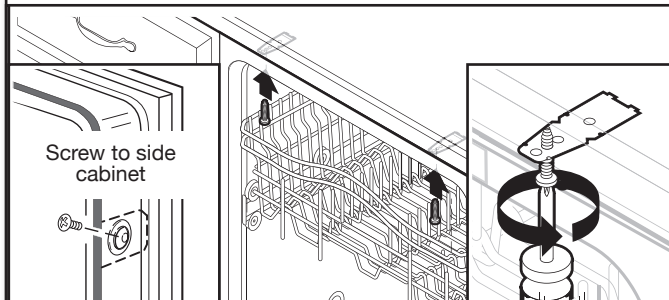
39. Vérifier de nouveau l'alignement du lave-vaisselle avec l'ouverture



Vérifier que le lave-vaisselle est toujours d'aplomb d'avant en arrière et transversalement dans l'ouverture d'encastrement de l'armoire.

Ouvrir la porte du lave-vaisselle, placer une serviette sur la pompe et le bras d'aspersion du lave-vaisselle. Ceci empêchera les vis de tomber dans la pompe lors de la fixation du lave-vaisselle à l'armoire.

40. Fixer le lave-vaisselle

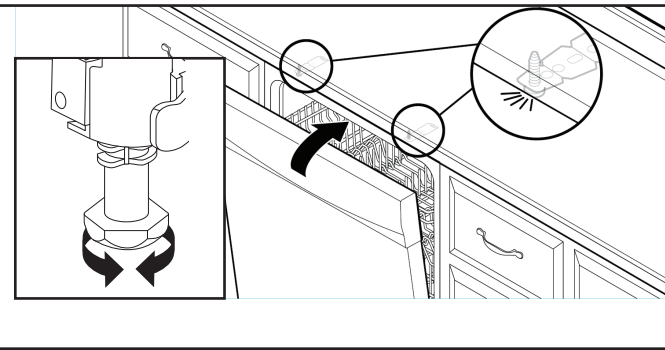


Ouvrir la porte du lave-vaisselle pour préparer la fixation de l'appareil au comptoir ou au côté de l'armoire.

REMARQUES :

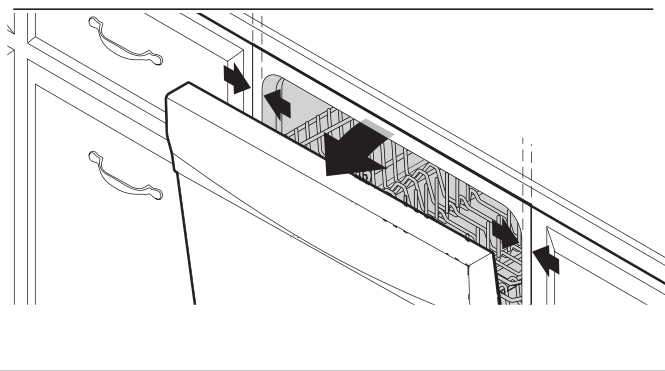
- Le lave-vaisselle doit être immobilisé pour l'empêcher de basculer lors de l'ouverture ou de la fermeture de la porte.
- Ne pas faire tomber de vis au fond du lave-vaisselle.
- Localiser les supports installés à la section « Choix de l'option de fixation », soit sur le dessus ou les côtés du lave-vaisselle.
- **Pour une fixation à la surface de travail :** Fixer le lave-vaisselle au comptoir au moyen de deux vis cruciformes (comprises).
- **Pour une fixation sur les côtés :** Percer des avant-trous de 7/32 po dans l'armoire pour éviter toute fente dans le bois. Fixer le lave-vaisselle à l'armoire au moyen de deux vis cruciformes (comprises). Retirer le deuxième panier pour faciliter l'accès. Consulter la section des conseils de chargement du lave-vaisselle pour obtenir des instructions sur la façon de retirer le deuxième panier (au besoin).

41. Contrôler l'ouverture de la porte



IMPORTANT : Vérifier qu'il n'y a aucun contact entre le sommet de la porte et les vis, les brides ou le plan de travail. Si un tel contact se produit, régler le niveau des pattes ou utiliser l'option de fixation sur les côtés.

42. Vérifier l'espace intérieur



Ouvrir la porte et vérifier que la distance entre l'ouverture de l'armoire pour l'installation du lave-vaisselle et la cuve est la même des deux côtés. Si l'espace n'est pas identique des deux côtés, desserrer les vis des brides d'arrimage et déplacer légèrement la cuve. Resserrer les vis de brides.

43. Méthode de raccordement direct

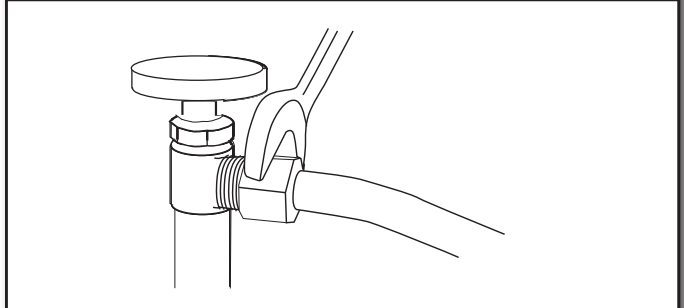
Pour effectuer le raccordement direct. Effectuer les étapes 18 à 24 du guide d'installation.

Une fois terminée, revenir dans ce document à l'étape 44 pour terminer l'installation du produit.

BRANCHEMENT DE L'ARRIVÉE D'EAU AU ROBINET D'ARRÊT DE LA MAISON

REMARQUE : Si l'on utilise un tuyau flexible tressé, remplacer le tuyau d'alimentation après 5 ans d'utilisation pour réduire le risque de défaillance du tuyau. Inscire la date d'installation ou de remplacement du tuyau sur celui-ci, pour référence ultérieure.

44. Fixer la canalisation d'alimentation en eau



Fixer la canalisation d'alimentation en eau (tube de cuivre ou canalisation flexible à tresse d'acier) à la canalisation d'eau chaude à l'aide d'une configuration de raccordement qui soit conforme à tous les codes et règlements locaux. La canalisation d'alimentation en eau raccordée au lave-vaisselle doit comporter un robinet d'arrêt manuel situé sous l'évier. Ouvrir la valve d'eau après avoir raccordé la canalisation d'alimentation en eau.

RACCORDEMENT DU TUYAU DE VIDANGE

45. Raccordement du tuyau de vidange

Employer l'une des options suivantes pour raccorder le tuyau d'évacuation sur un raccord T ou sur un broyeur à déchets :

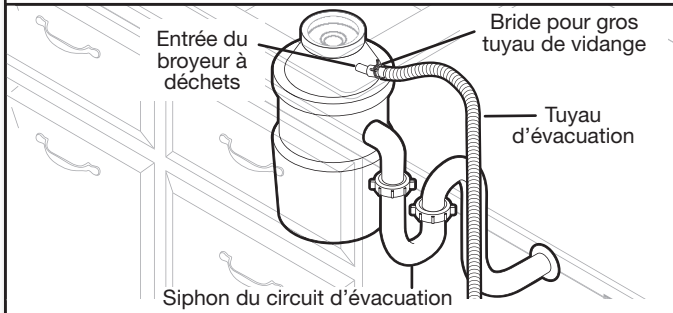
- Option A : Broyeur de déchets – sans brise-siphon
- Option B : Sans broyeur de déchets – sans brise-siphon
- Option C : Broyeur de déchets – avec brise-siphon
- Option D : Sans broyeur de déchets – avec brise-siphon

IMPORTANT : Le raccordement du tuyau d'évacuation à la canalisation d'égout en T ou au raccord de broyeur à déchets doit être réalisé en amont du siphon du circuit d'évacuation et à au moins 20 po (50,8 cm) au-dessus du plancher de l'espace d'installation du lave-vaisselle.

Conseil utile : Afin de minimiser les vibrations du tuyau, le tenir à distance du plancher.

REMARQUE : Utiliser la bride rouge incluse pour raccorder le tuyau de renvoi du lave-vaisselle à la plomberie ou au broyeur à déchets du client.

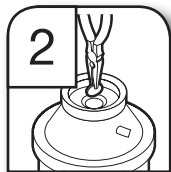
Option A : Broyeur de déchets – sans brise-siphon



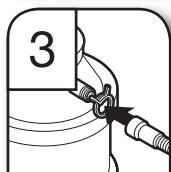
Conseil utile : Ôter l'opercule escamotable du broyeur à déchets.



1. À l'aide d'un marteau et d'un tournevis, enfoncer le bouchon d'obturation dans le broyeur à déchets.

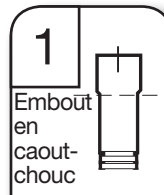
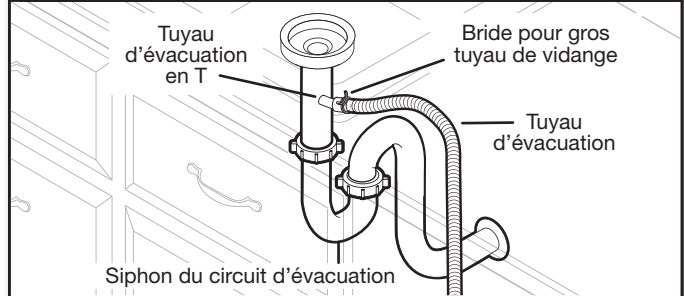


2. Retirer le bouchon d'obturation à l'aide de pinces à pointe biseautée.

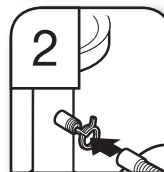


3. Fixer le tuyau d'évacuation sur le raccord de broyeur à déchets à l'aide de la grosse bride de tuyau d'évacuation (fournie). À l'aide de pinces, serrer la bride pour l'ouvrir et la mettre en position.

Option B : Sans broyeur de déchets – sans brise-siphon

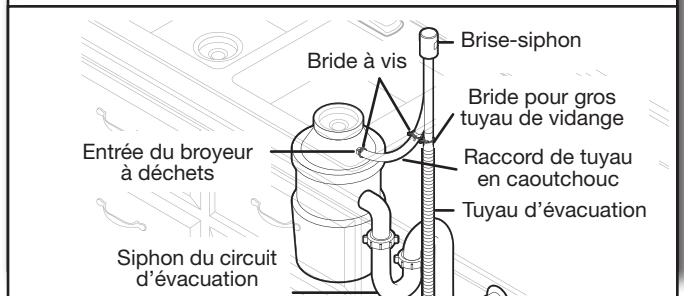


1. Raccorder l'extrémité en caoutchouc du tuyau d'évacuation à la canalisation d'égout en T.

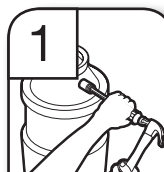


2. Fixer l'extrémité du tuyau d'évacuation en caoutchouc à la canalisation d'égout en T à l'aide d'une grosse bride pour tuyau d'évacuation (fournie). À l'aide de pinces, serrer la bride pour l'ouvrir et la mettre en position. Si le tuyau d'évacuation a été coupé, utiliser une bride à vis de 1 ½ po à 2 po (3,8 cm à 5,0 cm) (non fournie).

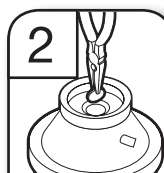
Option C : Broyeur de déchets – avec brise-siphon



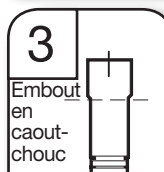
Conseil utile : Ôter l'opercule escamotable du broyeur à déchets.



1. À l'aide d'un marteau et d'un tournevis, enfoncer le bouchon d'obturation dans le broyeur à déchets.

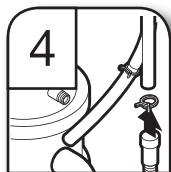


2. Retirer le bouchon d'obturation à l'aide de pinces à pointe biseautée.



3. Raccorder l'extrémité en caoutchouc du tuyau d'évacuation au dispositif de brise-siphon.

REMARQUE : Ne pas couper la section ondulée.

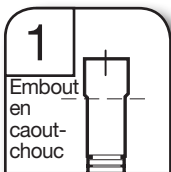
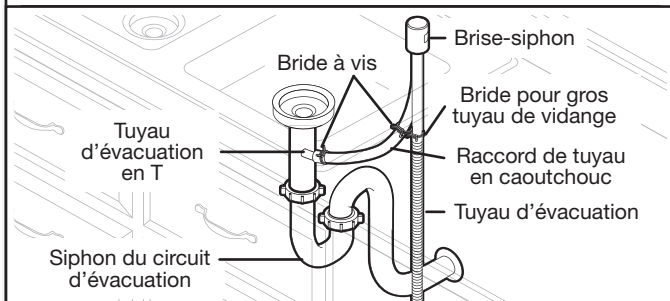


4. Fixer le tuyau d'évacuation sur le dispositif de brise-siphon à l'aide de la grosse bride de tuyau d'évacuation (fournie). À l'aide de pinces, serrer la bride pour l'ouvrir et la mettre en position. Si le tuyau d'évacuation a été coupé, utiliser une bride à vis de 1 ½ po à 2 po (3,8 cm à 5,0 cm) (non fournie).



5. Utiliser un tuyau en caoutchouc (non fourni) et une bride à vis pour le raccordement du dispositif de brise-siphon à l'entrée du broyeur à déchets.

Option D : Sans broyeur de déchets – avec brise-siphon



1. Raccorder l'extrémité en caoutchouc du tuyau d'évacuation au dispositif de brise-siphon.

REMARQUE : Ne pas couper la section ondulée.



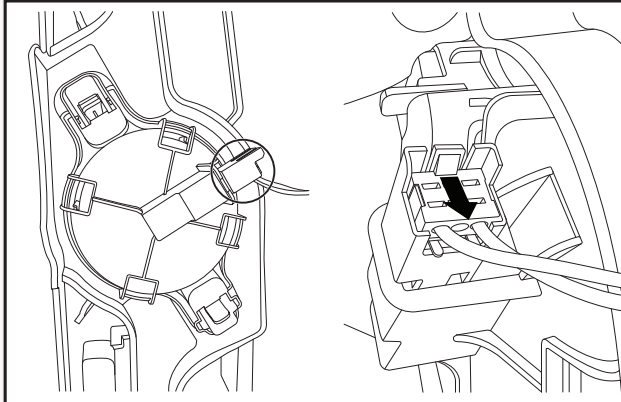
2. Fixer le tuyau d'évacuation sur le dispositif de brise-siphon à l'aide de la grosse bride de tuyau d'évacuation (fournie). À l'aide de pinces, serrer la bride pour l'ouvrir et la mettre en position. Si le tuyau d'évacuation a été coupé, utiliser une bride à vis de 1 ½ po à 2 po (3,8 cm à 5,0 cm) (non fournie).



3. Utiliser un tuyau en caoutchouc (non fourni) et une bride à vis (non fournie) pour le raccordement de la canalisation d'égout en T au dispositif de brise-siphon.

TERMINER L'INSTALLATION

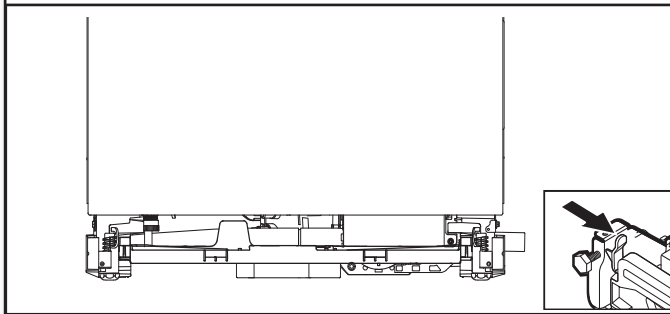
46. Reconnecter le contacteur à flotteur



Vérifier l'absence de tout contact entre le conducteur ou le cordon d'alimentation et le moteur du lave-vaisselle ou la partie inférieure de la cuve du lave-vaisselle.

Rebrancher le contacteur à flotteur en alignant le connecteur enlevé à l'étape 10 et le boîtier du contacteur, puis en le poussant jusqu'à ce que l'onglet de verrouillage soit visible par-dessus le dos du connecteur.

47. Réinstaller le plateau d'écoulement



REMARQUE : Avant de remettre en place le plateau d'écoulement, s'assurer qu'il n'y a pas d'eau dans le plateau.

Pour replacer le plateau, l'aligner avec les boutons dans parties latérales et le pousser vers l'intérieur de l'appareil. Il est important que les tuyaux noirs se situent au-dessus du plateau d'écoulement aux deux bouts une fois le plateau bien en place.

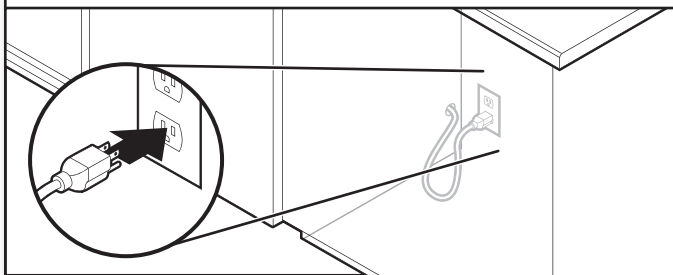
⚠ AVERTISSEMENT



Risque de choc électrique

- Brancher sur une prise à 3 alvéoles reliée à la terre.
- Ne pas enlever la broche de liaison à la terre.
- Ne pas utiliser un adaptateur.
- Ne pas utiliser un câble de rallonge.
- Le non-respect de ces instructions peut causer un décès, un incendie ou un choc électrique.

48. Cordon d'alimentation électrique – brancher dans une prise à trois alvéoles reliée à la terre



Brancher l'appareil sur une prise à 3 alvéoles reliée à la terre.

49. Rétablir l'alimentation électrique

Reconnecter l'alimentation électrique du tableau de distribution (fusible ou disjoncteur).

REMARQUE : Avec le panneau d'accès fermé, mettre le lave-vaisselle en marche et le laisser effectuer complètement le programme de lavage le plus court, tout en vérifiant qu'il n'y a pas de fuites. Consulter les instructions de ce manuel dans la section « Vérifier le fonctionnement ».

CONTRÔLE DU FONCTIONNEMENT

- Lire le guide de démarrage rapide du lave-vaisselle compris avec le lave-vaisselle.
- Vérifier que toutes les pièces ont été installées et qu'aucune étape n'a été omise. Vérifier que tous les outils ont été utilisés.
- Lancer les programmes d'installation comme indiqué (il peut être avantageux de lancer ces programmes lorsque le panneau d'accès n'est pas réinstallé pour vérifier qu'il n'y a pas d'eau sous l'appareil. Si le programme est lancé dans cet état, le fil de contacteur à flotteur DOIT toujours être branché au contacteur à flotteur.)
- Si le lave-vaisselle ne fonctionne pas correctement, déconnecter la source de courant électrique ou débrancher le lave-vaisselle et consulter la section « Si le lave-vaisselle ne fonctionne pas ».
- Appuyer sur 3 touches (sauf Delay [mise en marche différée] et Cancel [annuler]) dans une séquence 1-2-3-1-2-3-1-2-3 en ne laissant pas plus de 1 seconde entre les touches pour accéder au programme d'installation, puis appuyer sur le bouton no 2.
- Fermer la porte, le programme se mettra en marche.

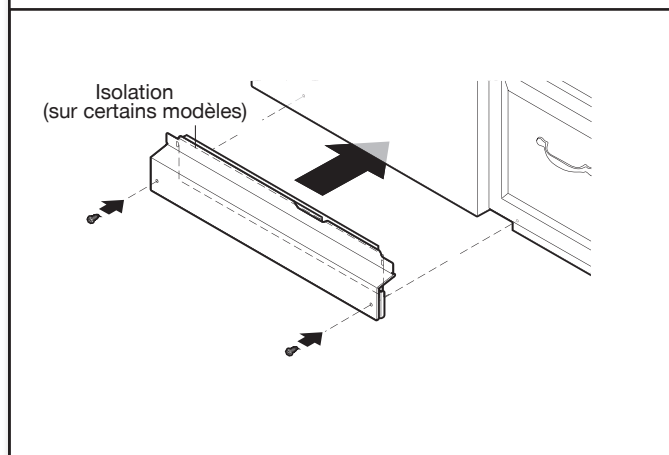
- Toutes les DEL s'allument immédiatement une fois la séquence d'entrée terminée.
- Selon le modèle, une tonalité peut se faire entendre.
- Le programme se met sur pause lorsque la porte est ouverte et reprend lorsqu'elle est fermée.
- Aucun appui nécessaire sur la touche Start/Resume (mise en marche/reprise) pour reprendre le programme de diagnostic.
- Le programme d'installation peut prendre plusieurs minutes.
- Appuyer sur la touche Cancel (annuler) pour quitter le mode de programme d'installation. Le produit quittera ce mode après 10 minutes ou si l'alimentation électrique est coupée.

REMARQUE : Il est normal pour la pompe de vidange de faire beaucoup de bruit lors de la première utilisation puisqu'il n'y a pas d'eau dans le système.

Affichage numérique	Toutes les DEL sont allumées	1	2	3	4	5 (certains modèles)	6	7
Temps d'intervalle approximatif	0:01	0:30 (Maximum 5:00)	02:00	00:20	00:20	00:20	00:30	1:00 (Maximum 5:00)
Action de machine	Pause	Vidange initiale	Remplissage de 3,8 L + impulsions du moteur de lavage	Lavage + distribution (impulsion du bras d'aspersion du milieu)	Lavage + ventilateur (bras d'aspersion du plafond)	Lavage + panier du troisième niveau. Si présent sur ce modèle	Lavage + élément chauffant (bras d'aspersion inférieur)	Procédure de vidange

INSTALLATION DES PANNEAUX D'ACCÈS

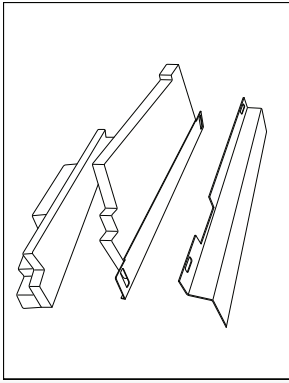
50. Réinstaller les panneaux d'accès et les dispositifs de fixation



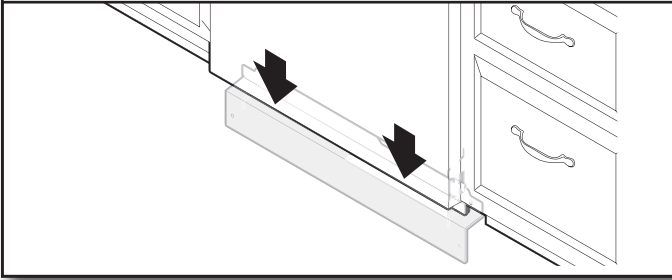
Placer le panneau d'accès contre le pied du lave-vaisselle. Si le modèle comprend une isolation, s'assurer que l'isolation ne cause aucune interférence avec le flotteur. Pousser le panneau d'accès vers le haut du produit pour qu'il soit suspendu aux crochets sur le côté en plastique.

- Réinstaller le panneau inférieur/d'accès. La gaine latérale doit aller entre le panneau inférieur/d'accès et la membrane latérale. Aligner la fente rectangulaire de la mousse et du panneau inférieur/d'accès avec l'appareil en utilisant un tournevis.

REMARQUE : Retirer la pellicule de la porte, commencer avec le contour de la porte pour faciliter la procédure.

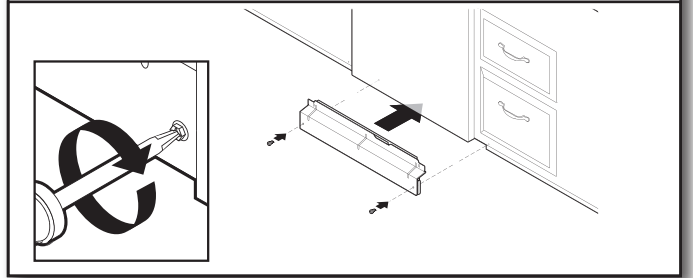


51. Inspecter le bord du panneau d'accès



Vérifier que la rive inférieure du panneau d'accès est au contact du plancher. La réajuster au besoin.

52. Réinstaller les panneaux d'accès



À l'aide d'un tourne-écrou de 5/16 po, réinstaller les vis à travers les trous des panneaux d'accès.

SI LE LAVE-VAISSELLE NE FONCTIONNE PAS

Essayer d'abord les solutions suggérées ici pour éviter le coût d'une intervention de dépannage.

- Un disjoncteur est-il ouvert ou un fusible grillé?
- La porte est-elle bien fermée et enclenchée?
- Le programme a-t-il été correctement sélectionné pour que le lave-vaisselle puisse se mettre en marche?
- L'arrivée d'eau est-elle ouverte?
- Le fil du contacteur à flotteur sous le produit est-il branché au contacteur à flotteur?
- Vérifier que le verrouillage des commandes n'est pas activé.

Si aucune de ces solutions ne fonctionne, consulter le guide de démarrage rapide pour obtenir les coordonnées pour demander un entretien.

Su seguridad y la seguridad de los demás es muy importante.

Hemos incluido muchos mensajes importantes de seguridad en este manual y en su electrodoméstico. Lea y obedezca siempre todos los mensajes de seguridad.



Este es el símbolo de alerta de seguridad.

Este símbolo le llama la atención sobre peligros potenciales que pueden ocasionar la muerte o una lesión a usted y a los demás.

Todos los mensajes de seguridad irán a continuación del símbolo de advertencia de seguridad y de la palabra "PELIGRO" o "ADVERTENCIA". Estas palabras significan:

 **PELIGRO**

Si no sigue las instrucciones de inmediato, usted puede morir o sufrir una lesión grave.

 **ADVERTENCIA**

Si no sigue las instrucciones, usted puede morir o sufrir una lesión grave.

Todos los mensajes de seguridad le dirán el peligro potencial, le dirán cómo reducir las posibilidades de sufrir una lesión y lo que puede suceder si no se siguen las instrucciones.

INSTRUCCIONES IMPORTANTES DE SEGURIDAD

ADVERTENCIA: Cuando use la lavavajillas, tome medidas de precaución básicas, como las siguientes:

- Lea todas las instrucciones antes de usar la lavavajillas.
- Use la lavavajillas solamente para la función para la que fue diseñada.
- Use solo detergentes o agentes de enjuague recomendados para uso en una lavavajillas y manténgalos lejos del alcance de los niños.
- Cuando cargue elementos para lavar:
 - 1) Coloque los elementos afilados de tal manera que no dañen el sello de la puerta; y
 - 2) Coloque los cuchillos afilados con los mangos hacia arriba para reducir el riesgo de sufrir cortes.
- No lave elementos de plástico a menos que lleven un aviso de "seguro para lavavajillas" o equivalente. Si tales elementos de plástico no tienen ese aviso, consulte las recomendaciones del fabricante.
- No toque el elemento calefactor durante ni inmediatamente después del uso.
- No haga funcionar la lavavajillas a menos que todos los paneles de la carcasa estén colocados debidamente en su lugar.
- No deje el lavavajillas abierto cuando no esté cargando o descargando platos.
- No trate de forzar los controles.
- No someta a abuso, se siente ni se pare sobre la puerta, la tapa o las canastas de platos de la lavavajillas.
- No use piezas de repuesto que no hayan sido recomendadas por el fabricante (por ejemplo, piezas hechas en casa con una impresora 3D).
- Para reducir el riesgo de lesiones, no permita que los niños jueguen dentro ni sobre la lavavajillas.
- En ciertas condiciones, puede generarse gas hidrógeno en un sistema de agua caliente que no se ha usado por un período de dos semanas o más. **EL GAS HIDRÓGENO ES EXPLOSIVO.** Si no se ha usado el agua caliente durante dicho período, antes de usar la lavavajillas, abra todos los grifos de agua caliente y deje que corra el agua por varios minutos. Esto liberará todo el gas hidrógeno que se haya acumulado. Debido a la inflamabilidad de dicho gas, no fume ni use una llama abierta durante este lapso.
- Quite la puerta o la tapa del compartimiento de lavado cuando retire de servicio una lavavajillas vieja o la descarte.

GUARDE ESTAS INSTRUCCIONES

INSTRUCCIONES DE CONEXIÓN A TIERRA

■ Para una lavavajillas con cable eléctrico y conexión a tierra:

La lavavajillas debe estar conectada a tierra. En caso de funcionamiento defectuoso o avería, la conexión a tierra reduce el riesgo de choque eléctrico al establecer una ruta de menor resistencia para la corriente eléctrica. La lavavajillas viene equipada con un cable eléctrico que tiene un conductor para conexión a tierra y un enchufe con conexión a tierra. El enchufe debe ser conectado a un contacto apropiado que esté instalado y conectado a tierra de acuerdo con todos los códigos y ordenanzas locales.

ADVERTENCIA: La conexión inadecuada del conductor de conexión a tierra puede resultar en riesgo de choque eléctrico.

Pregunte a un electricista calificado o a un agente de servicio si no está seguro si la lavavajillas está adecuadamente conectada a tierra. No modifique el enchufe que viene con la lavavajillas. Si no cabe en el contacto, pida que un electricista calificado instale un contacto apropiado.

■ Para lavavajillas con conexión permanente:

Esta lavavajillas debe estar conectada a un sistema de cableado de metal permanente, conectado a tierra, o se debe tender un conducto para la conexión a tierra del equipo con los conductores de circuito y conectado a la terminal de tierra del equipo o al conductor de suministro de la lavavajillas.

GUARDE ESTAS INSTRUCCIONES



⚠ ADVERTENCIA

Peligro de Vuelco

No use la lavavajillas antes de estar completamente instalada.

No se apoye en la puerta abierta.

No seguir estas instrucciones puede ocasionar heridas serias o cortaduras.

MANTENIMIENTO DE LA LAVAVAJILLAS

Detergentes

Se recomienda usar pastillas y paquetes previamente medidos de alta calidad para mejorar el rendimiento.

Está comprobado que las pastillas y los paquetes de alta calidad son más eficaces que los detergentes en polvo, líquidos o en gel para reducir las películas residuales en la vajilla. Al usar pastillas y paquetes, las películas blancas comenzarán a reducirse o a eliminarse con el tiempo. Son adecuados para todos los niveles de dureza y de suciedad. Además, al usar un agente de enjuague, se puede minimizar la acumulación repetida de película blanca (no todos los paquetes y las pastillas contienen agente de enjuague). Coloque siempre los detergentes previamente medidos en el compartimiento principal y cierre la tapa.

NOTA: Siga las instrucciones del paquete cuando use otros tipos de detergente para lavavajillas.

- Use únicamente detergentes para lavavajillas automáticas. Agregue el detergente justo antes de comenzar el ciclo.
- El detergente para lavavajillas automáticas produce mejores resultados cuando está fresco. Guarde el detergente bien cerrado en un lugar fresco y seco.
- Los residuos minerales del agua extremadamente dura (15 granos por galón de EE.UU. o más) pueden dañar su lavavajillas y hacer difícil que se obtengan buenos resultados. Se recomienda usar un ablandador de agua para evitar daños y obtener buenos resultados.
- Para obtener más información acerca de los detergentes en polvo, líquidos y en gel, y sobre las condiciones de agua dura, consulte el sitio web de la marca.

Agente de enjuague

Al usar agente de enjuague, se optimizará el desempeño de lavado y secado. Esta lavavajillas ha sido diseñada específicamente para usarse junto con agente de enjuague, para obtener un mejor desempeño de secado y controlar la acumulación de depósitos de agua dura. El agente de enjuague se debe agregar al producto cada 1 a 3 meses dependiendo del uso.

Consulte la Guía de inicio rápido o el sitio web de la marca para obtener información sobre cómo llenar el depósito de agente de enjuague.

Selección de ciclo y uso de energía

Las lavavajillas eficientes funcionan por más tiempo para ahorrar agua y energía, de la misma manera que ahorra gasolina cuando conduce un automóvil más despacio. El tiempo normal de un ciclo es de aproximadamente 2 1/2 horas, pero puede demorar menos o bastante más según sus selecciones, la temperatura del agua de entrada y la cantidad de suciedad de alimentos en la vajilla. Para un desempeño óptimo, la lavavajillas debe estar conectada a un suministro de agua caliente de 120 °F (49 °C).

Si primero presiona el botón Start (Inicio), se seleccionará automáticamente el ciclo principal con sensor que tiene función de secado con calor. El ciclo detecta la cantidad de suciedad y su resistencia para ajustar el ciclo para una mejor limpieza.

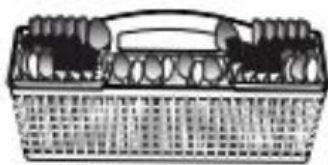
Sanitize o Sani (Higienizado)

Higieniza los platos y la cristalería según el estándar 184 de NSF International NSF/ANSI para lavavajillas domésticas. Las lavavajillas domésticas certificadas no han sido diseñadas para establecimientos con licencia para alimentos. Solo los ciclos de higienización fueron diseñados para cumplir los requisitos del estándar de rendimiento NSF/ANSI 184 para eliminación de la suciedad y eficacia de la higienización. No existe la intención, de forma directa o indirecta, de que todos los ciclos de una lavavajillas con certificación NSF/ANSI 184 cumplan el estándar de rendimiento NSF/ANSI 184 para eliminación de la suciedad y eficacia de la higienización. El indicador Sani Rinse (Enjuague sanitario) se ilumina al final del ciclo si la opción Sani Rinse (Enjuague sanitario) se completó con éxito. Si no se activa el indicador, posiblemente se deba a que se interrumpió el ciclo.

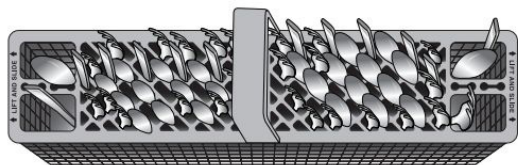
CONSEJOS PARA CARGAR LA LAVAVAJILLAS

NOTA: Las funciones son específicas del modelo. Es posible que no se describan todas las funciones de su lavavajillas.

Canastilla para cubiertos



Estilo 1



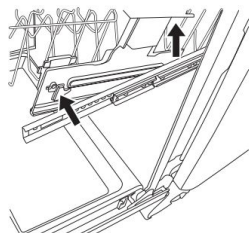
Estilo 2

Use las tapas de la canastilla para cubiertos para proveer espacios óptimos y el mejor desempeño de limpieza.

NOTA: Si sus cubiertos no caben dentro de los espacios designados, abra las tapas (estilo 1) o levante los extremos de las tapas y tire para quitarlas (estilo 2). Mezcle los diferentes tipos de cubiertos para mantenerlos separados. Coloque los cuchillos hacia abajo, los tenedores hacia arriba y alterne las cucharas para obtener mejores resultados de limpieza.

Quitar las canastas superiores

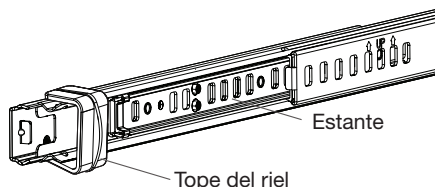
Las canastas superiores son removibles para poder hacer espacio para todos los elementos. La manera en que se quitan dependerá de si la canasta está montada según el estilo 1 o el estilo 2. Retire la vajilla antes de quitar cualquiera de las canastas.



Estilo 1

Para quitar la canasta, tírela hacia afuera de la lavavajillas hasta la mitad. En un lado, presione la lengüeta en el riel y tire hacia arriba el extremo delantero de la canasta para sacarla del riel. Luego, repita este paso en el otro lado para quitar por completo el extremo frontal de la canasta. Extraiga la canasta tirando el extremo posterior hacia fuera con un movimiento hacia adelante y atrás.

Para volver a colocar la canasta, coloque la parte trasera de la canasta en el riel y luego empuje la parte frontal hacia abajo.

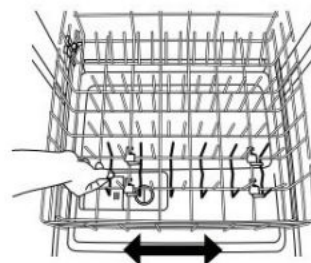


Estilo 2

Para quitar la canasta, tire hacia afuera hasta que haga tope. A ambos lados de la canasta, mueva los topes de plástico en el frente del riel hacia el costado para abrirlos. Quite la canasta.

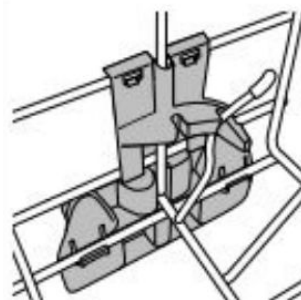
Para volver a colocarla, vuelva a colocar la parte trasera de la canasta en los rieles. Vuelva a cerrar los topes.

Puntas para tazones deslizables



Las puntas para tazones deslizables le permiten cargar tazones de diferentes tamaños con facilidad. Tome la línea de puntas móvil que está en la canasta inferior y deslícela a la posición deseada.

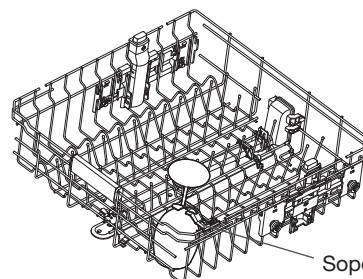
Puntas plegables



Las puntas plegables le permiten optimizar el espacio en la canasta. Estas pueden encontrarse en la canasta inferior, en la de segundo nivel y/o en la de tercer nivel, según su modelo. Para plegar o desplegar las puntas, tome la punta que está más cerca del sujetador al final de la línea de puntas y empújela suavemente pasando el tope del sujetador en la dirección en que desea doblarla.

Soporte para copas

Use estos soportes para colocar copas de vino y de otro tipo. Levántelos y gírelos para moverlos cuando no los necesite.



Soporte para copas

Estante para tazas



Use el estante para tazas para colocar más tazas u otros elementos pequeños. Levántelos y pliéguelos para moverlos cuando no los necesite.

CUIDADO DE LA LAVAVAJILLAS

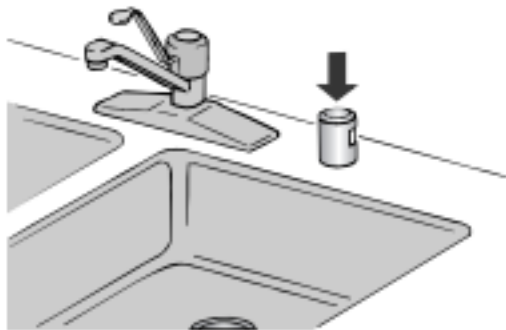
Limpeza del interior

Muchos detergentes pueden dejar manchas blancas o un residuo blanco en la vajilla y en el interior de la lavavajillas. Con el tiempo, este residuo se puede volver antiestético y afectar el rendimiento de la lavavajillas. El uso de un producto de limpieza para lavavajillas como el limpiador para lavavajillas affresh® puede ayudar a remover el residuo. Se recomienda el uso mensual del limpiador para lavavajillas affresh® para ayudar a mantener la lavavajillas. Siga las instrucciones del paquete.

NOTA: Recomendamos el uso de pastillas o paquetes de detergente previamente medido de alta calidad y el uso de agente de enjuague para la limpieza y el cuidado diario de la lavavajillas.

Purga de aire de mostrador

Si tiene una purga de aire de desagüe, revísela y límpiela si la lavavajillas no está desaguando bien.



Período prolongado sin uso

Para reducir el riesgo de daños a la propiedad durante vacaciones o tiempo prolongado sin uso

- Cuando no vaya a usar la lavavajillas durante los meses de verano, cierre el suministro de agua y de electricidad a la lavavajillas.
- Asegúrese de que las tuberías de suministro de agua estén protegidas contra congelamiento. La formación de hielo en las tuberías de suministro puede aumentar la presión del agua y dañar la lavavajillas o la casa.
- Los daños ocasionados por congelamiento no están cubiertos por la garantía.
- Cuando guarde la lavavajillas en el invierno, evite daños por el agua y haga que personal de servicio autorizado acondicione la lavavajillas para el invierno.

Limpeza del exterior

Limpe el exterior de la lavavajillas con un paño suave y húmedo, y un detergente suave. Evite el uso de limpiadores abrasivos en el exterior de la lavavajillas. Los productos de limpieza abrasivos pueden dañar el acabado.

Solución de problemas

El sitio web de la marca que figura en la Guía de inicio rápido contiene información detallada para solucionar la mayoría de los problemas con que los clientes se pueden encontrar. Esta información le podría ahorrar el costo de una llamada al servicio técnico

Taza para objetos extraños

Si la taza para objetos extraño está llena, puede encontrar información detallada sobre cómo vaciarla en la Guía de inicio rápido o en el sitio web de la marca listado en dicha Guía.

MENÚ DE AJUSTES DE LA LAVAVAJILLAS:

Para cambiar los ajustes actuales, siga las instrucciones a continuación para ingresar en el menú.

Menú	Texto en pantalla (si hay una pantalla)	Patrón de luces LED (si no hay pantalla)			Lo que hace este ajuste	Ajuste predeterminado
		PROWASH OR SENSOR (Lavado profesional o sensor)	TOUGH OR COOKWARE (Intenso o utensilios de cocina)	NORMAL (Normal)		
Nivel del agente de enjuague	A		X		Ajusta el cantidad de agente de enjuague que se usa	
Submenú del nivel de agente de enjuague	A 0	X	X	X	0 ml - agente de enjuague desactivado	
	A 1	X			1 ml	X
	A 2		X		2 ml	
	A 3	X	X		3 ml	
	A 4			X	4 ml	
	A 5	X		X	5 ml	
	A 6		X	X	6 ml	
Nivel de sonido	S	X	X		Activar y desactivar el sonido	
Submenú del nivel de sonido	S 1	X			Sonido encendido	X
	S 0		X		Sonido apagado	
Luz en la tina	L			X	Enciende y apaga la luz interna (si la hay)	
Submenú de luz en la tina	L 1	X			La luz en la tina se enciende cuando se abre la puerta	X
	L 0		X		La luz en la tina está apagada cuando se abre la puerta	
Modo Apto para el consumidor Kosher	E	X		X	Enciende y apaga el modo Apto para consumidor Kosher	
	E 1	X			Enciende el modo	
	E 0		X		Apaga el modo	X
Restablecimiento a los valores de fábrica	r	X	X	X	Restablecimiento a los valores de fábrica	

- Mantenga presionado el botón "Hi Temp" (Alta temperatura) por 5 segundos hasta que se enciendan las luces de "Hi Temp" (Alta temperatura) y "Dry" (Seco).
- Presione el botón "Start/Resume" (Inicio/Reanudar) en menos de 2 segundos. Si no presiona el botón Start (Inicio) en menos de 2 segundos, la pantalla se apagará y deberá volver a empezar y repetir el paso 1.
 - En los modelos con pantalla, se mostrará una "A" para indicar el nivel de agente de enjuague.
 - En los modelos que no tengan pantalla, se encenderá la luz de "Tough or Cookware" (Intenso o utensilios de cocina) para indicar el nivel de agente de enjuague.
- Para ver una función que no sea Nivel de agente de enjuague, presione el botón "Cycle" (Ciclo) o "Normal" (Normal) (esto depende del modelo) para seleccionar la función que le gustaría cambiar (Nivel de sonido, Luz en la tina, Apto para el consumidor Kosher, Restablecimiento a los valores de fábrica, Nivel de agente de enjuague). Consulte la tabla para ver lo que se muestra en la pantalla para indicar estas funciones.
- Presione el botón "Start/Resume" (Inicio/Reanudar) para seleccionar la función e ingresar al submenú. La pantalla cambiará para mostrar el ajuste actual de la característica. (Por ejemplo, si seleccionó el Nivel de agente de enjuague y no lo ha cambiado antes, se mostrará S1 en los modelos con pantalla y se encenderá el sensor en los modelos que no tienen pantalla).
- Presione el botón "Cycle" (Ciclo) o "Normal" (Normal) (dependiendo del modelo) para cambiar el valor del ajuste de la función. (Por ejemplo, si desea apagar el sonido, presione el botón "Cycle" (Ciclo) o "Normal" (Normal) y se mostrará S0 en los modelos con pantalla o se enciende el ícono "pots and pans" (ollas y sartenes) en los modelos sin pantalla).
- Presione el botón "Start/Resume" (Inicio/Reanudar) para confirmar la nueva selección. El ajuste de la función no se modificará hasta que se haya presionado el botón "Start/Resume" (Inicio/Reanudar).
La lavavajillas volverá al estado apagado cuando se haya presione el botón "Start" (Inicio).

Para salir del menú de ajustes de cliente en cualquier momento, presione el botón "Cancel" (Cancelar) o espere 30 segundos sin presionar ningún botón.

NOTA: Para ver el ajuste actual de una función, siga los pasos 1-4. Cuando se presiona el botón "Start/Resume" (Inicio/Reanudar) en el paso 4, la lavavajillas mostrará el ajuste actual. Presione el botón "Cancel" (Cancelar) para salir sin hacer ningún cambio.

NOTA: Si ingresa en una página de ajuste de funciones y necesita volver al menú principal, presione “Cancel” (Cancelar) y continúe con el paso 1.

NOTA: Para salir del modo Apto para el consumidor Kosher en cualquier momento, presione el botón “Cancel” (Cancelar) o espere 72 horas.

Modo Apto para el consumidor Kosher: Cuando se enciende este modo, se deshabilitarán todos los botones de la lavavajillas excepto la tecla Cancel (Cancelar), así como la luz en la tina (si se incluye) durante 75 horas. Si se enciende este modo durante un ciclo, las luces de estado al final del ciclo no se apagarán cuando se abra y se vuelva a cerrar la puerta. Para salir del modo, presione el botón “Cancel” (Cancelar) o espere 75 horas.

CÓDIGOS DE ERROR

CÓDIGOS DE ERROR / LUCES PARPADEANTES

Problema	Código que se muestra (7 segundos en pantalla) (si la hay)	Código que se muestra en los LED del panel frontal * (# parpadeos, Pausa, # parpadeos)	¿Qué sucederá?	¿Qué hacer?
No funciona correctamente la válvula de llenado de la lavavajillas	F1E1	1 Pausa 1 Pausa - pausa, repetir	Comenzará la secuencia de desagüe, se evitará el funcionamiento de la máquina	Corte el suministro de agua hacia la unidad (si se puede). Corte el suministro de energía hacia la unidad. Si el agua no se puede cortar, NO corte el suministro de energía, y mantenga la puerta cerrada. Presione la tecla Cancel (Cancelar) una vez para silenciar el tono de la alarma. Llame para solicitar servicio técnico.
Falla del controlador del motor	F1E2	1 Pausa 2 Pausa, repetir	Termina el ciclo	Llame para solicitar servicio técnico
No hay agua presente en la lavavajillas	H2O	8 Pausa 1 Pausa - pausa, repetir	Se pausará el ciclo	Asegúrese de que la manguera de llenado esté conectada al producto. Asegúrese de que el suministro de agua esté conectado Presione Start (Inicio) para reanudar el ciclo. Si la alarma sigue presente, llame al servicio técnico.
Falla del motor de lavado	F7E2	7 Pausa 2 Pausa, repetir	Termina el ciclo	Llame para solicitar servicio técnico
La lavavajillas de sobrellena	F8E4	8 Pausa 4 Pausa - pausa, repetir	Comenzará la secuencia de desagüe, se evitará el funcionamiento de la máquina	Corte el suministro de agua hacia la unidad (si se puede). Corte el suministro de energía hacia la unidad. Si el agua no se puede cortar, NO corte el suministro de energía, y mantenga la puerta cerrada. Presione la tecla Cancel (Cancelar) una vez para silenciar el tono de la alarma. Llame para solicitar servicio técnico.
Válvula de llenado trabada	F8E5	8 Pausa 5 Pausa - pausa, repetir	Comenzará la secuencia de desagüe, se evitará el funcionamiento de la máquina	Corte el suministro de agua hacia la unidad (si se puede). Corte el suministro de energía hacia la unidad. Si el agua no se puede cortar, NO corte el suministro de energía, y mantenga la puerta cerrada. Presione la tecla Cancel (Cancelar) una vez para silenciar el tono de la alarma. Llame para solicitar servicio técnico.
La lavavajillas no desagua	F9E1	9 Pausa 1 Pausa - pausa, repetir	Termina el ciclo	Si la manguera de desagüe está conectada a un triturador de basura, confirme que la manguera no esté tapada y que el tapón de desechos se haya quitado. Si la unidad todavía no desagua, llame para solicitar servicio.
Hay agua debajo de la lavavajillas	FAE5	10 Pausa 5 Pausa - pausa, repetir	Termina el ciclo	Llame para solicitar servicio técnico.
Falla de comunicación con el servicio de interfaz de usuario	F6E1	6 Pausa 1 Pausa - pausa, repetir	El producto no podrá iniciar o reanudar ciclos	Llame para solicitar servicio técnico.

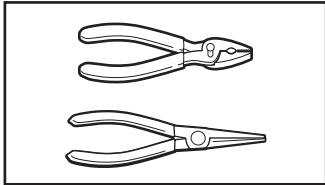
REQUISITOS DE INSTALACIÓN

HERRAMIENTAS Y PIEZAS

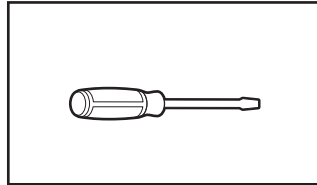
Reúna todas las herramientas y piezas recomendadas antes de comenzar la instalación. Lea y siga las instrucciones provistas con las herramientas enumeradas aquí.

Todas las instalaciones

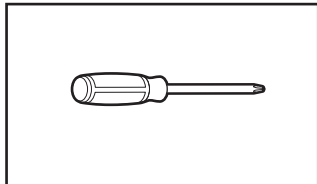
Herramientas necesarias:



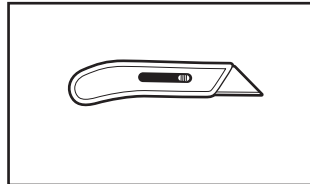
Alicate



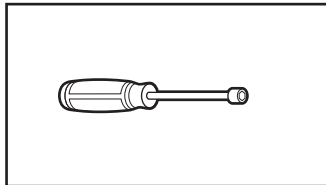
Destornillador de cabeza plana



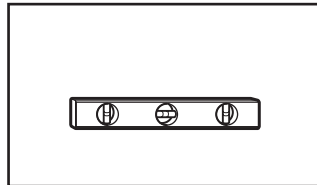
Destornillador Phillips



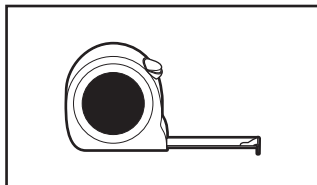
Cuchillo para uso general



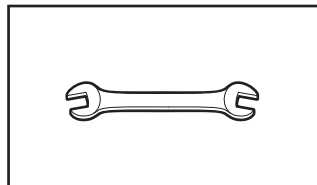
Llave de cubo hexagonal o llave de tuercas de 5/16" (7,9 mm) y 1/4" (6,4 mm)



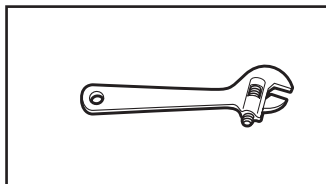
Nivel pequeño



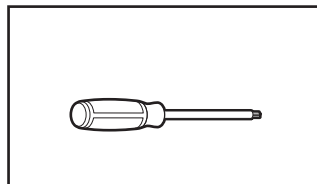
Cinta de medir o regla



Llave de extremo abierto de 5/8" (15,9 mm)

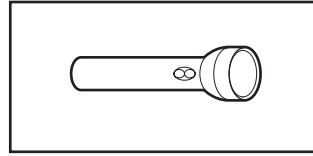


Llave ajustable de 10" que se abra hasta 1 1/8" (29 mm)

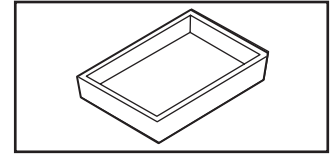


Destornilladores Torx† T20 y, si se instalan paneles frontales a la medida, Torx T15

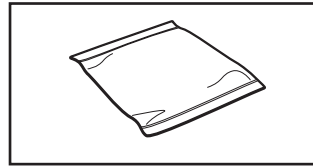
Otros elementos útiles que puede necesitar:



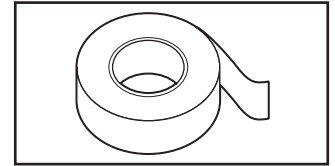
Linterna



Bandeja llana

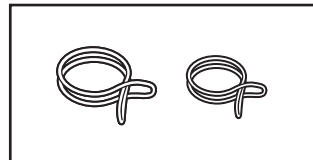


Toalla de baño

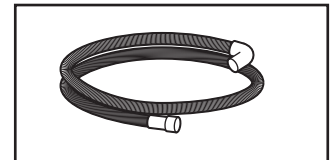


Cinta para ductos o cinta adhesiva protectora

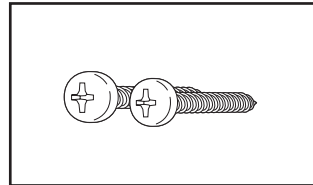
Piezas suministradas:



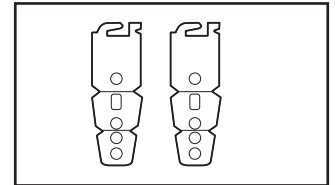
Abrazaderas para manguera de desagüe (2)
(1 grande/roja y 1 pequeña/plateada)



Manguera de desagüe

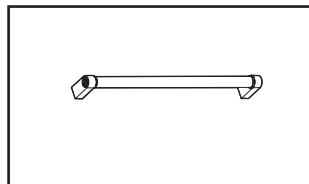


Tornillos de cabeza Phillips N° 8 x 1/2" (12,7 mm) (2)



Soportes de montaje bajo el mostrador (2)

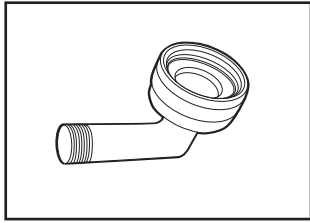
Compruebe que se hayan incluido todas las piezas en el paquete con el material impreso.



Manija de la puerta (en algunos modelos)

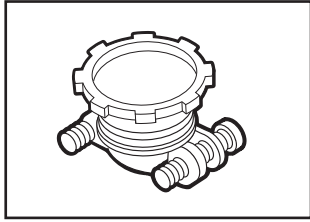
†TORX, T15 y T20 son marcas comerciales de Acument Intellectual Properties, LLC.

Otras piezas requeridas (no proporcionadas):



Racor de manguera con conexión de compresión de 3/8" (9,5 mm) x 3/4" (19 mm) con junta de goma y codo de 90° (necesario para conectar de forma adecuada la tubería de agua del hogar a la lavavajillas).

Pieza N°: W10685193

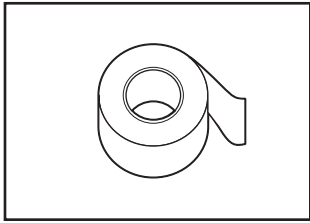


Protector de cables (de metal) para cableado doméstico que encaje en un orificio de 7/8" (22 mm) (necesario para fijar de forma correcta el cableado del hogar a la caja de terminales de la lavavajillas).

Pieza N°: 4396672

NOTA: Utilice solo piezas con certificación UL/homologación CSA.

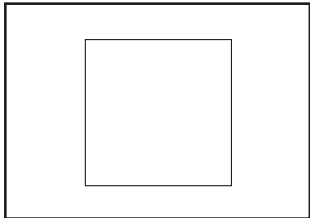
Piezas opcionales disponibles:



Cinta de barrera contra la humedad

NOTA: La cinta de barrera contra la humedad es un nivel de protección adicional y opcional para la instalación de una lavavajillas bajo un mostrador de madera. Se recomienda, pero no es un requisito excluyente para los mostradores de madera.

Pieza N°: 4396277



Kit de panel lateral

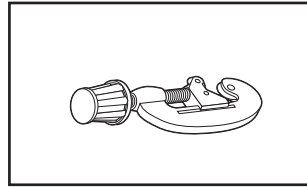
Para cubrir el lado de la lavavajillas al instalarla en el extremo de un conjunto de gabinetes (el número de pieza Whirlpool varía según el color).

Llámenos a nuestro número gratuito o visite la página web de la marca mencionada en la Guía de inicio rápido para obtener información sobre las piezas y accesorios.

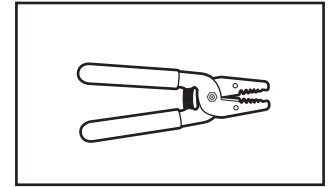
Instalaciones nuevas

Verifique los códigos locales. Compruebe el suministro eléctrico existente. Consulte la sección "Requisitos eléctricos". Se recomienda que todas las conexiones eléctricas sean realizadas por un instalador eléctrico matriculado.

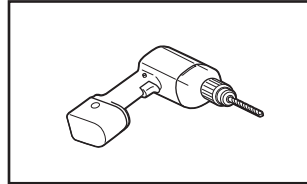
Herramientas adicionales necesarias:



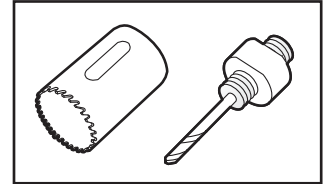
Cortador de tubos pequeño



Pelacables

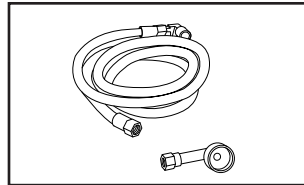


Taladro inalámbrico



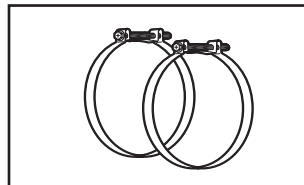
Sierras perforadoras de 1/2" (12,7 mm), 3/4" (19 mm), and 1 1/2" (38 mm)

Herramientas adicionales requeridas (no proporcionadas):

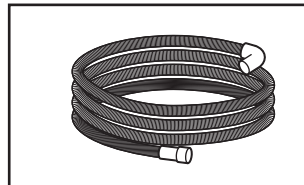


Tubería de cobre (se sugiere un diámetro externo de 3/8") o kit de línea trenzada flexible de suministro de agua. El kit incluye la manguera trenzada y el racor de manguera con conexión de compresión de 3/8" x 3/4".

Pieza N°: W10278635RP



Abrazaderas de tipo tornillo de 1 1/2" - 2" (38 mm - 50 mm) (máximo 3)



Opcional: Manguera de desagüe más larga (Longitud máxima 12 pies (3,7 m))

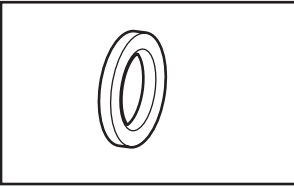
NOTA: Debe cumplir con los estándares de comprobación AHAM/IAPMO, ser compatible con una conexión de desagüe de 1" (25 mm) y ser resistente al calor y al detergente.

Pieza N°: W11381654

NOTA: Si se utiliza una manguera trenzada flexible, sustituya la manguera de entrada después de 5 años para reducir el riesgo de fallas. Para consulta en el futuro, anote en la manguera la fecha de instalación o la fecha de reposición.

NOTA: Asegúrese de comprar únicamente piezas y accesorios Whirlpool certificados de fábrica para su electrodoméstico. Su instalación puede requerir piezas adicionales. Para pedir las, consulte la información de contacto que figura en la Guía de inicio rápido.

Para cable directo

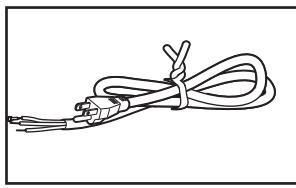
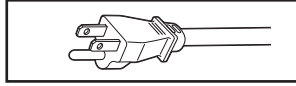


Pasacables de gabinete

Para orificio de 1 1/2" (38 mm) en el gabinete.

NOTA: Requerido para gabinetes de metal

Para cable de alimentación



Kit de cable de alimentación

El kit incluye generalmente el cable de alimentación, protector de cables de metal, pasacables.

(Número de pieza de Whirlpool
Kit de cables - Recto -
W11365011

Kit de cables - Ángulo recto -
W11365014)

Llámenos a nuestro número gratuito o visite la página web de la marca mencionada en la Guía de inicio rápido para obtener información sobre las piezas y accesorios.

NOTA: Asegúrese de comprar únicamente piezas y accesorios Whirlpool certificados de fábrica para su electrodoméstico. Su instalación puede requerir piezas adicionales. Para pedir las, consulte la información de contacto que figura en la Guía de inicio rápido.

REQUISITOS DE UBICACIÓN

La lavavajillas debe estar totalmente enclaustrada (cara superior, lateral, posterior e inferior) tras la instalación. Un kit de panel lateral está disponible mediante el distribuidor para la instalación de la lavavajillas en un extremo del conjunto de gabinetes.

También está disponible un accesorio de barrera contra la humedad opcional para la instalación bajo un mostrador de madera.

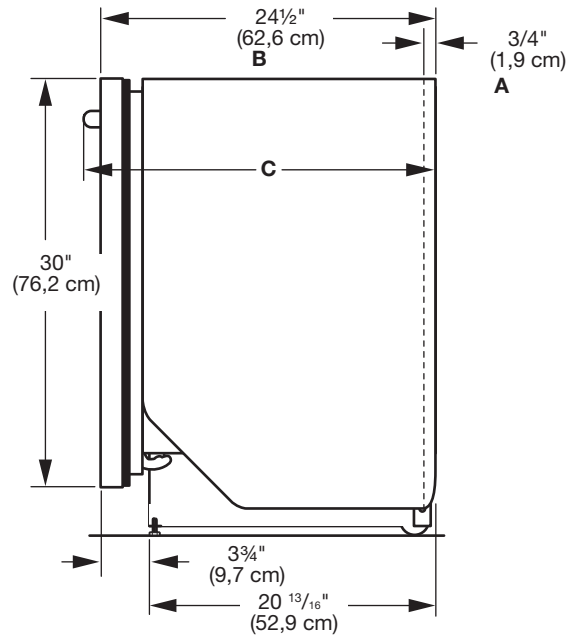
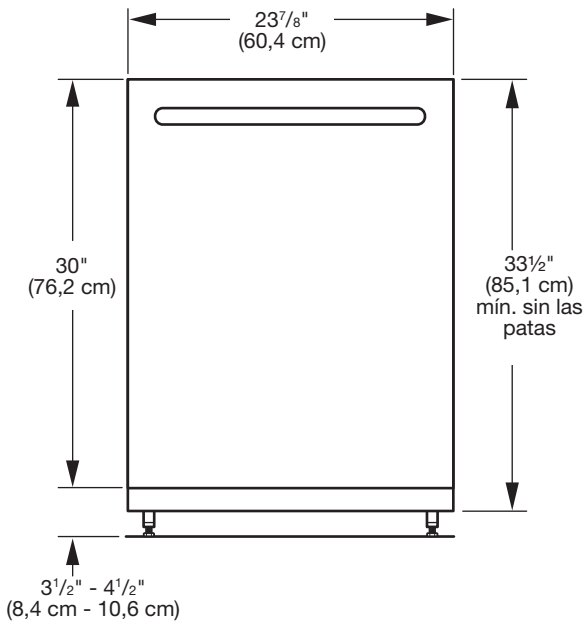
Revise la ubicación donde se instalará la lavavajillas. La ubicación debe ofrecer:

- Un acceso adecuado para cargar y descargar la vajilla. Las ubicaciones en esquinas requieren de un espacio libre mínimo de 2" (5,1 cm) entre el lado de la puerta de la lavavajillas y la pared o el gabinete.
 - Un acceso fácil a los sistemas de agua, electricidad y desagüe:
 - Se requiere un suministro eléctrico conectado a tierra.
 - Esta lavavajilla tiene una función de calentamiento de agua y también requiere una conexión a una tubería de suministro de agua caliente.
 - Compruebe que las tuberías, los cables y el desagüe estén dentro de la zona sombreada que se muestra en la sección "Dimensiones del producto y de la abertura del gabinete".
 - No pase las tuberías de desagüe, de agua o el cableado eléctrico por donde puedan interferir o hacer contacto con el motor o las patas de la lavavajillas.
 - Proteja la lavavajillas y las tuberías de agua que van a la lavavajillas contra el congelamiento. Los daños ocasionados por congelamiento no están cubiertos por la garantía.
- NOTA:** Si no se va a utilizar la lavavajillas durante un tiempo o si se encuentra en un punto donde pueda sufrir riesgo congelación, solicite a personal de servicio autorizado que la acondicione para el invierno.
- Si se instala en una construcción nueva, enjuague la tubería de suministro de agua para eliminar residuos antes de conectarla a la válvula de llenado. Si no se enjuaga, los residuos del suministro de agua pueden obstruir el filtro de la válvula de llenado.
 - Una abertura cuadrada para tener un funcionamiento y una apariencia adecuados.
 - La parte frontal del gabinete debe estar perpendicular respecto al piso.
 - Piso nivelado.

Consejo útil: Si el piso frente a la abertura no está nivelado con el piso detrás de la abertura, se pueden utilizar suplementos para nivelar la lavavajillas.

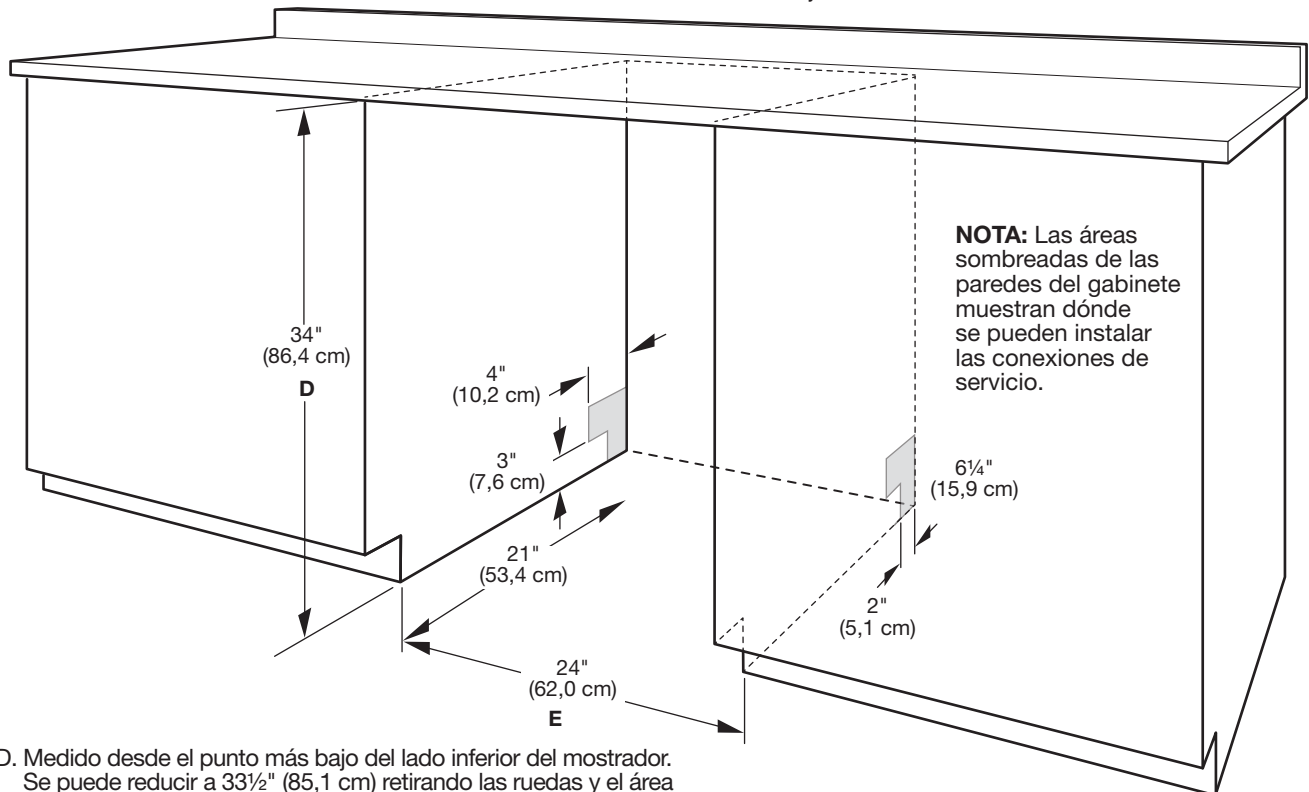
NOTA: Para evitar que se muevan durante el funcionamiento de la lavavajillas, los suplementos deben estar sujetos firmemente al piso.
 - La ubicación donde se instalará la lavavajillas debe proveer espacios libres entre el motor y el piso. El motor no debe tocar el piso.
 - No instale la lavavajillas sobre pisos alfombrados.

DIMENSIONES DEL PRODUCTO Y DE LA ABERTURA DEL GABINETE:



- A. El aislante puede estar comprimido (no se utiliza en todos los modelos).
- B. Para los modelos adaptables para la instalación de paneles, la profundidad de la lavavajillas es de 24" (61,0 cm) sin incluir el panel de la puerta a la medida de 3/4" (1,9 cm).
- C. Las manijas de la puerta pueden sobresalir del frente de la lavavajillas dependiendo del modelo.

Revise todas las superficies para asegurarse de que no hayan protuberancias que pudieran impedir la instalación de la lavavajillas.



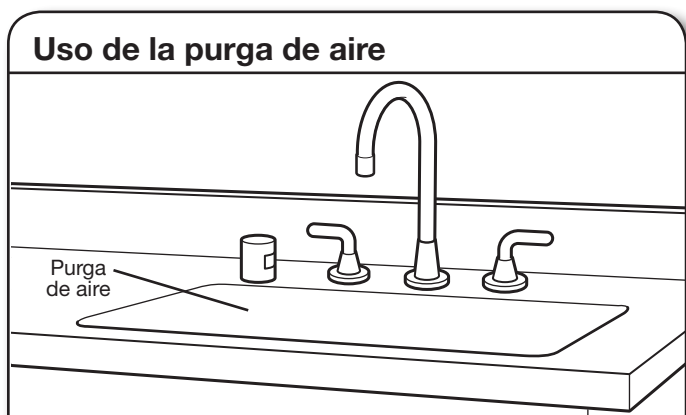
- D. Medido desde el punto más bajo del lado inferior del mostrador. Se puede reducir a 33 ¹/₂" (85,1 cm) retirando las ruedas y el área perforada del aislante (manta) en la lavavajillas.
- E. Mínimo, medido desde el punto más angosto de la abertura.

REQUISITOS DE DESAGÜE

- Se provee una manguera nueva de desagüe con su lavavajillas. Si la manguera de desagüe no es lo suficientemente larga, utilice una manguera de desagüe nueva con una longitud máxima de 12 pies (3,7 m) que cumpla con todos los estándares de comprobación actuales de AHAM/IAPMO, que sea resistente al calor y al detergente, y que encaje en el conector de desagüe de 1" (2,5 cm) de la lavavajillas.

NOTA: No conecte múltiples mangueras de desagüe juntas.

- Asegúrese de conectar la manguera de desagüe al colector de residuos en "T" o a la entrada del colector de residuos sobre el sifón de desagüe en la plomería de la casa, y a un mínimo de 20" (50,8 cm) por encima del piso. Se recomienda que la manguera de desagüe se enrolle y fije con firmeza a la parte inferior del mostrador o que se conecte a una purga de aire.
- Asegúrese de utilizar una purga de aire si la manguera de desagüe está conectada a la plomería de la casa a una altura menor de 20" (50,8 cm) sobre el contrapiso o el piso.



- Si se requiere, la purga de aire se debe instalar siguiendo las instrucciones de instalación de la misma. Al conectar la purga de aire, se requiere una manguera de goma (no proporcionada) para conectarla al tubo de residuos en "T" o la entrada del colector de residuos.
- Use accesorios para tuberías de desagüe con un diámetro interior de 1,3 cm (1/2") mínimo.

REQUISITOS DE SUMINISTRO DE AGUA

- Esta lavavajilla tiene una función de calentamiento de agua y también requiere una conexión a una tubería de suministro de agua caliente.
- Una tubería de agua caliente con presión de agua de 20 psi a 120 psi (de 138 kPa a 862 kPa), que pueda ser verificada por un plomero autorizado.
- Agua a 120 °F (49 °C) en la lavavajillas
- Tubería de cobre con un diámetro externo de 3/8" (0,95 cm) con racor con conexión de compresión o tubería de suministro de agua trenzada flexible.

NOTA: No se recomienda usar tubería de plástico de 1/2" (1,3 cm) mínimo.

- Un codo de 90° con una conexión de manguera de 3/4" (0,95 cm) con una arandela de goma.
- No suelde a una distancia menor de 6" (15,2 cm) de la válvula de entrada del agua.
- Si la instalación se realiza en una construcción nueva, asegúrese de enjuagar las tuberías de suministro de agua domésticas antes de conectar la lavavajillas para eliminar cualquier residuo presente en la tubería de suministro.

NOTA: Si se va a reemplazar una lavavajillas existente, se recomienda instalar una nueva tubería de agua y manguera de desagüe (suministradas) con la nueva lavavajillas.

REQUISITOS ELÉCTRICOS

Asegúrese de que la conexión eléctrica y el tamaño del cable sean adecuados y cumplan con el Código nacional eléctrico, ANSI/NFPA 70, su edición más reciente, y con todos los códigos y las ordenanzas locales.

Puede obtener una copia de las normas de los códigos antes indicados en:

National Fire Protection Association
1 Batterymarch Park
Quincy, MA 02169-7471

Usted debe tener:

- Un suministro eléctrico de 120 V, 60 Hz., CA solamente, con fusibles de 15 A o 20 A
- Solamente cable de cobre
- Se permite un máximo de 2 conductores de suministro de cable en sitio (tamaño máximo: 12 AWG) y 1 conductor de conexión a tierra en la caja de terminales.

Se recomienda:

- Un fusible retardador o un disyuntor.

Requisitos del circuito:

- La lavavajillas se puede instalar en el mismo circuito que el triturador de basura siempre y cuando el circuito derivado no exceda la carga calculada del circuito y cumpla con todos los códigos y regulaciones vigentes, como, por ejemplo, la edición más reciente del Código nacional eléctrico, ANSI/NFPA 70.
- No se puede realizar ninguna otra conexión eléctrica dentro de la caja de terminales de la lavavajillas más que la conexión a tierra y la de suministro eléctrico de esta.

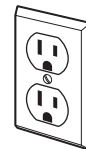
Si va a conectar la lavavajillas con un cable de suministro eléctrico:

- Use un cable de suministro de energía con certificación UL para uso con lavavajillas.
- Conecte el producto a un tomacorriente de 3 terminales con conexión a tierra. El tomacorriente debe cumplir con todos los códigos y ordenanzas locales.



Si va a conectar la lavavajillas con cableado directo:

- Utilice un cable de cobre flexible, blindado o con una funda no metálica con un cable de conexión a tierra que cumpla con los requisitos de cableado para su hogar y con los códigos y ordenanzas locales.
- Utilice un protector de cables con certificación UL/homologación CSA.



INSTRUCCIONES DE INSTALACIÓN

⚠ ADVERTENCIA



Peligro de Choque Eléctrico

Desconecte el suministro de energía en la caja de fusibles o cortacircuitos antes de instalar la lavavajillas.

No seguir esta instrucción puede ocasionar la muerte o choque eléctrico.

PASO 1:

Puede encontrar un video con los pasos de instalación en línea en whirlpool.com, en el apartado "How To's & FAQ" (Instrucciones y preguntas frecuentes) bajo la sección "Service & Support" (Servicio y soporte)

2. Desconecte el suministro eléctrico

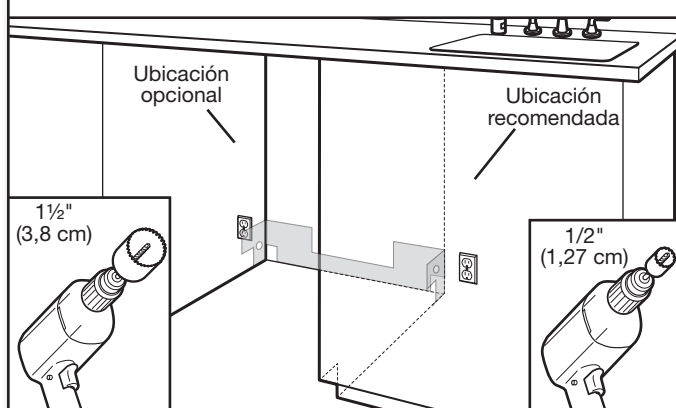
Desconecte el suministro eléctrico en la caja de fusibles o la caja de cortacircuitos antes de instalar la lavavajillas.

3. Cierre el suministro de agua

Cierre el suministro de agua a la lavavajillas.

PREPARACIÓN DE LA ABERTURA DEL GABINETE: INSTALACIONES NUEVAS

4. Perfore orificios en el lugar de la nueva instalación



El receptáculo del suministro de energía para el electrodoméstico debe instalarse en un gabinete o pared adyacente al espacio debajo del mostrador donde se instalará el electrodoméstico.

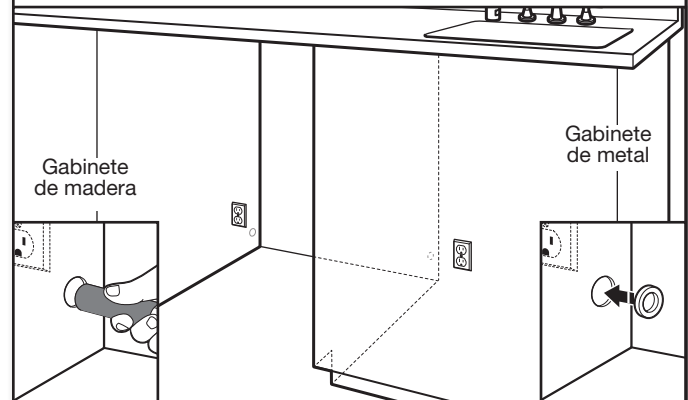
NOTA: Consulte la sección "Dimensiones del producto y de la abertura del gabinete" para la ubicación correcta del orificio y las medidas de la zona sombreada.

Taladre un orificio para la manguera de desagüe de 1 1/2" (3,8 cm) en la parte trasera o lateral del gabinete, dependiendo de la ubicación del paso de la manguera de desagüe y de la conexión a la manguera de desagüe.

Taladre un orificio para la manguera de suministro de agua de 1/2" (1,27 cm) en la parte trasera o lateral del gabinete dependiendo de la ubicación del paso de la manguera de suministro de agua y de la ubicación de la conexión.

Taladre un orificio de 1 1/2" (3,8 cm) para el cable eléctrico en la parte derecha o trasera del gabinete.

1. Lije los orificios hasta que queden lisos



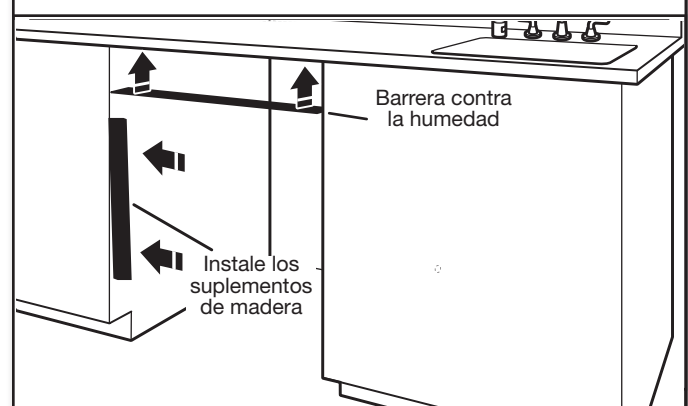
Gabinete de madera: Lije el orificio hasta que quede liso.

Gabinete de metal: cubra los bordes del orificio con el pasacables incluido en el kit del cable de alimentación.

Consejo útil: Será más fácil conectar la lavavajillas si dirige el cable dentro de la abertura del gabinete desde el lado derecho.

INSTALACIÓN OPCIONAL DE LA BARRERA CONTRA LA HUMEDAD (RECOMENDADO PARA LOS MOSTRADORES DE MADERA)

Suplementos para barrera contra la humedad/madera

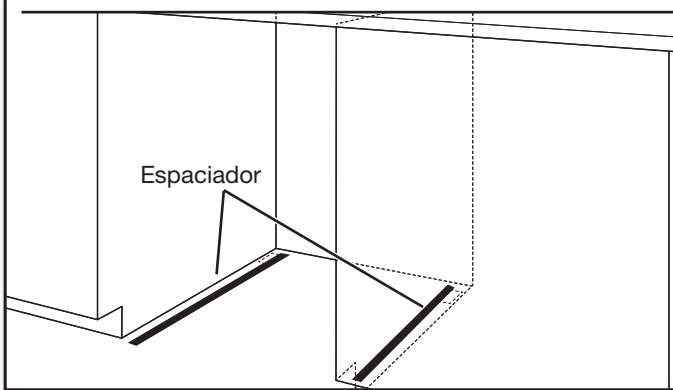


Compruebe que la zona bajo el gabinete está limpia y seca para la instalación de la barrera contra la humedad. Retire la parte trasera de la barrera contra la humedad y aplique a la parte inferior del mostrador a lo largo del borde delantero.

NOTA: se recomienda el uso de esta barrera contra la humedad, pero no es un requisito obligatorio.

NOTA: Instale suplementos de madera si el anclaje lateral y el espacio entre los lados del gabinete y de la lavavajillas son superiores a 1/2" (1,27 cm) a cada lado, o si son superiores a la longitud de los tornillos de anclaje laterales.

5. Pisos armados: añade suplementos según sea necesario

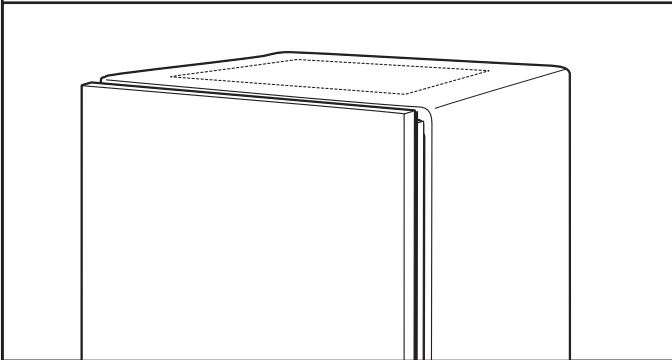


Nota: Los soportes de madera que vienen con la base de embalaje funcionan bien como suplementos.

Pisos armados: Si el piso de la cocina es más alto que el piso de la abertura del gabinete, por ejemplo, si las baldosas del piso de la cocina no se extienden hasta el interior de la abertura del gabinete, añade suplementos según sea necesario en la zona que se muestra para elevar la lavavajillas hasta el mismo nivel del piso de la cocina.

NOTA: Los suplementos se deben sujetar al piso con firmeza para evitar el movimiento cuando la lavavajillas esté en uso.

6. Si se va a instalar en una abertura de 33½" (85,1 cm)

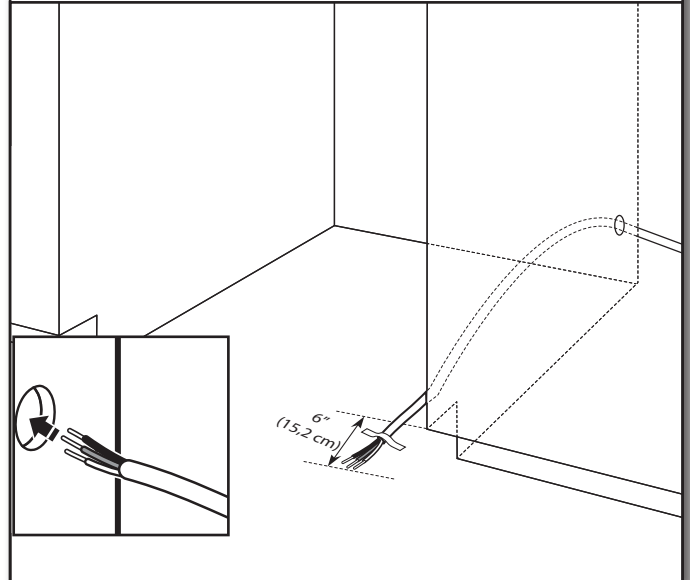


Recorte la manta aislante a lo largo de la línea de puntos para una altura de abertura de gabinete de 33½" (85,1 cm). Para otras alturas de gabinete, no recorte la manta aislante.

CONEXIÓN ELÉCTRICA

- Para un cable directo, continúe con el paso 7
- Para un cable de alimentación, espere al paso 18

7. Cable directo: paso del cable



Para la instalación con cable directo, disponga el cable como se indica. No conecte el cable al producto en este momento. Esta conexión se debe realizar después, luego de que la unidad esté instalada en la abertura del gabinete.

Lleve el cable desde el suministro de energía y páselo por el orificio del gabinete. (El cable se debe extender hacia el lado derecho de la parte frontal de la abertura del gabinete). Pegue el cable al piso con cinta adhesiva en la zona indicada. Esto evitará que se mueva al colocar la lavavajillas dentro de la abertura del gabinete.

PREPARE LA LAVAVAJILLAS

⚠ ADVERTENCIA



Peligro de Vuelco

No use la lavavajillas antes de estar completamente instalada.

No se apoye en la puerta abierta.

No seguir estas instrucciones puede ocasionar heridas serias o cortaduras.

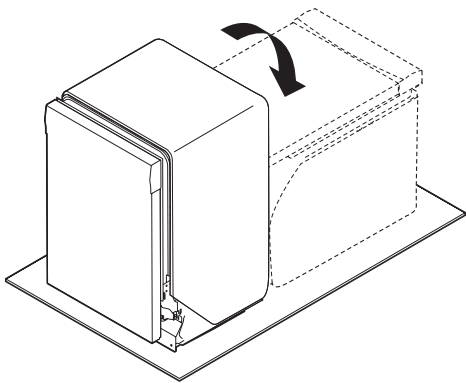
⚠ ADVERTENCIA

Peligro de Peso Excesivo

Use dos o más personas para mover e instalar la lavavajillas.

No seguir esta instrucción puede ocasionar una lesión en la espalda u otro tipo de lesiones.

8. Ponga la lavavajillas en su parte posterior



Consejo útil: Retire todo el material interno de embalaje, la manguera de desagüe, el kit de instalación y el mango (si está incluido) antes de colocarlo en su parte posterior, y no quitar la película de la puerta en este momento.

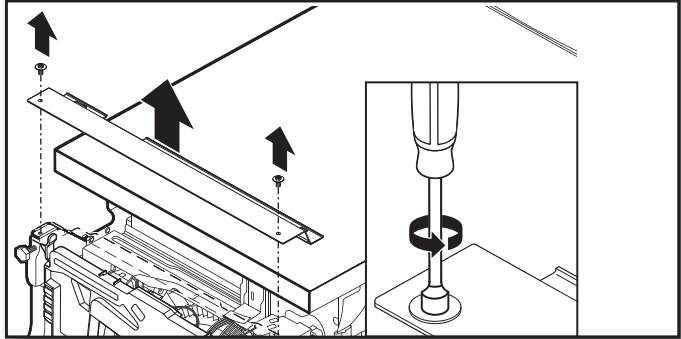
Coloque un cartón debajo de la lavavajillas y no lo quite hasta que la misma quede instalada en la abertura del gabinete, para evitar daños al revestimiento del piso.

Con la ayuda de dos o más personas, sujete los lados del marco de la puerta de la lavavajillas y apoye la lavavajillas sobre su parte posterior.

No utilice el panel de la puerta como mesa de trabajo sin antes cubrirlo con una toalla para no rayar el mismo.

RETIRE EL PANEL DE ACCESO Y EL AISLANTE

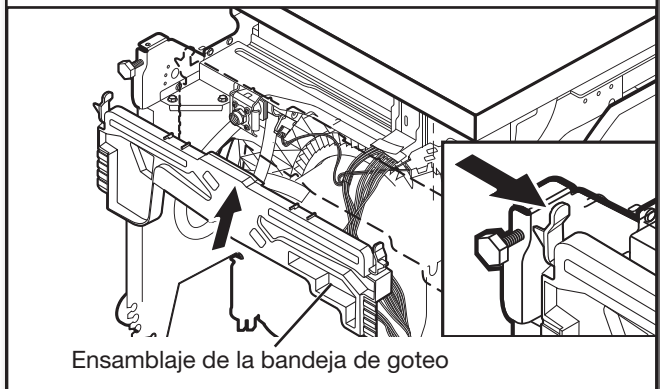
9. Quite los paneles de acceso



Utilice una llave de tuercas de 5/16" (7,9 mm) para retirar los dos tornillos que fijan los paneles de acceso a la lavavajillas. Una vez que se hayan retirado los tornillos, mueva el panel de acceso hacia la parte superior del producto para desengancharlo, y luego retírelo.

DESCONECTE Y RETIRE EL ENSAMBLAJE DE LA BANDEJA DE GOTEO

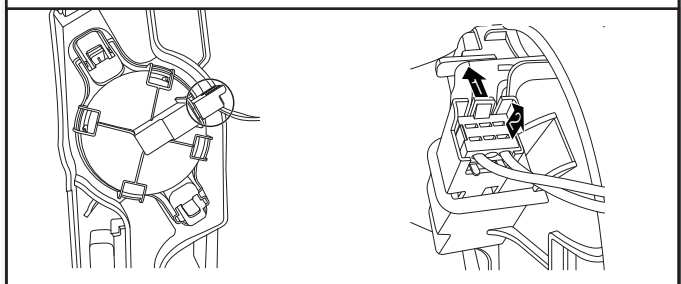
10a. Retire el ensamblaje de la bandeja de goteo



Ensamblaje de la bandeja de goteo

Para retirar el ensamblaje de la bandeja de goteo, presione los broches en los laterales de la bandeja de plástico hacia el centro del producto y tire en dirección a usted. Tenga cuidado de no tirar demasiado ni con tanta fuerza, ya que el cable del interruptor flotante aún está conectado en este momento.

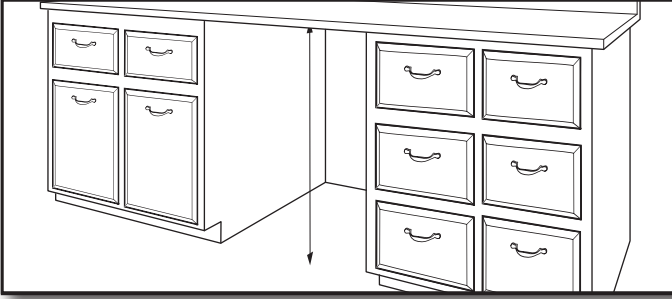
10b. Retire el cable del interruptor flotante



Para quitar el cable del interruptor flotante, empuje suavemente la lengüeta del conector (1) y luego tire del conector (2) para sacarlo de la carcasa. El flotante en sí no debe sacarse de la bandeja.

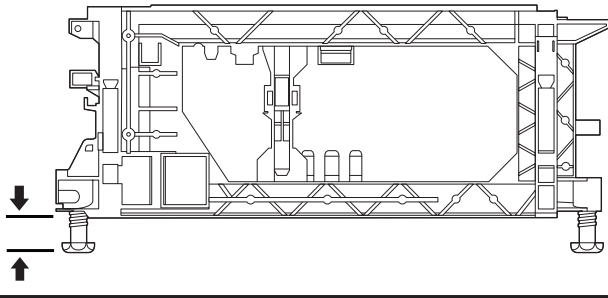
NOTA: No instale la bandeja de goteo hasta que se indique.

11. Mida la abertura del gabinete



Mida la altura de la abertura del gabinete desde la parte inferior del mostrador hasta el piso donde se va a instalar la lavavajillas. Asegúrese de medir desde el punto más bajo del lado inferior del mostrador y desde el punto más elevado del piso.

Ajuste de pata niveladora



Use una llave para aflojar las patas niveladoras al principio de ser necesario.

Ajuste las cuatro patas niveladoras a la misma altura; gírelas hacia la derecha o izquierda según lo necesite.

La unidad viene con las patas establecidas para una instalación de una altura de 33½" (85,1 cm). Si la altura de su abertura es de 34½" (87,6 cm), deberá bajar todas las patas 1" (2,54 cm).

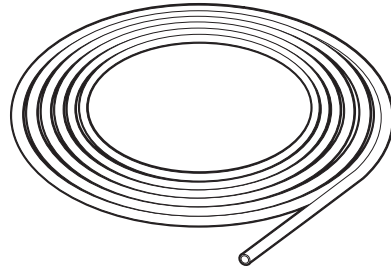
NOTA: Ajuste la altura de la pata trasera antes de mover la unidad hacia el espacio.

Las patas se pueden sacar si es necesario en caso de instalaciones en espacios reducidos.

CONECTE LA TUBERÍA DE AGUA A LA VÁLVULA DE LLENADO

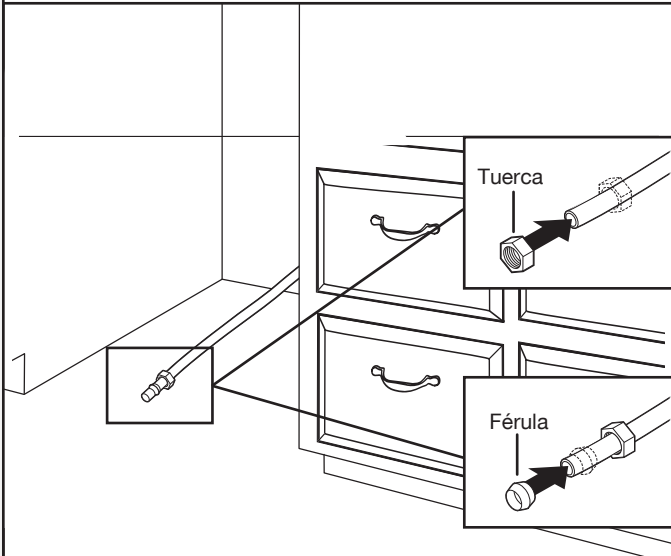
- Para una tubería de cobre, continúe con el paso 12
- Para una tubería flexible, continúe con el paso 14

12. Tubería de agua de cobre



Si se utiliza una tubería de cobre, determine la longitud total de la tubería de cobre necesaria para llegar al suministro de agua, corte a la longitud necesaria y conecte con racores de compresión.

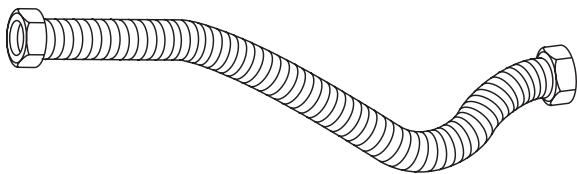
13. Deslice la tuerca y la férula sobre la tubería (solamente tubería de cobre)



Solo tubería de cobre: Coloque la tubería en el codo de 90° hasta donde sea posible. (La tubería de cobre se dobla y retuerce con facilidad). Empuje la tuerca y la férula hacia adelante y ajuste, de modo que quede justo contra la rosca del codo.

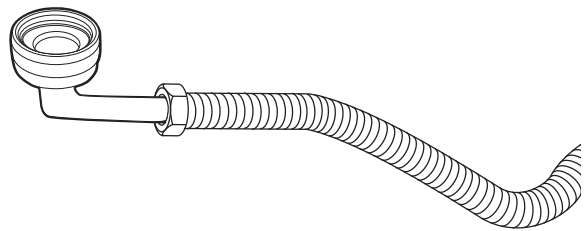
NOTA: Para evitar vibraciones durante el funcionamiento, disponga la tubería de suministro de agua de modo que no toque la base, el marco o el motor de la lavavajillas. Si está usando una tubería de cobre, saltee el paso 14 y vaya al paso 15.

14. Tubería flexible



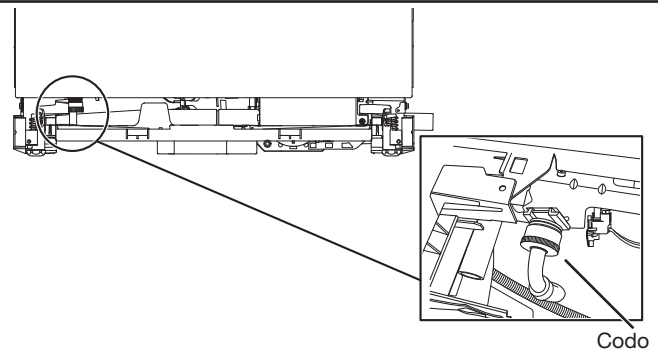
Tubería trenzada flexible: Compruebe que la tubería trenzada flexible posea la longitud suficiente.

15. Agregue el codo de 90° a la tubería de suministro de agua



CONECTE LA MANGUERA DE LLENADO A LA VÁLVULA DE LLENADO

16. Ajuste el codo de 90° en la válvula



Compruebe que la arandela de goma está encajada debidamente en el conector. Deslice el racor de 3/4" (19 mm) del codo de 90° hacia la válvula, y ajuste a mano para no dañar la rosca. Ajuste a mano hasta que el acoplamiento quede fijado.

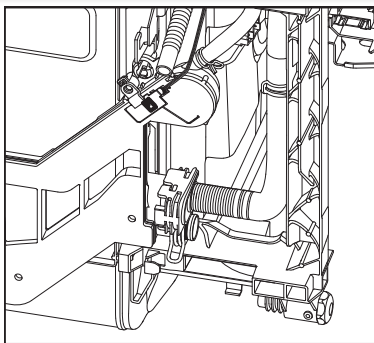
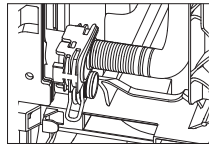
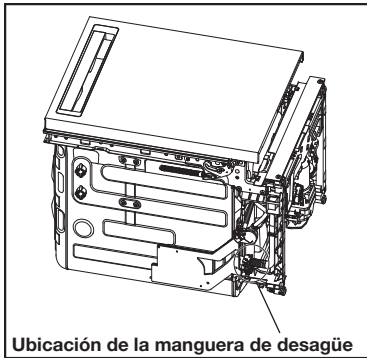
Utilice alicates para comprobar que el acoplamiento está apretado. Puede que sea necesario entre 1/4 y 1/2 giro adicional para sellar la junta de goma. Pase la manguera de llenado por el lado izquierdo de la parte trasera de la unidad.

NOTAS:

- No use cinta con los conectores de compresión.
- No apriete en exceso. Se puede dañar el acoplamiento.
- Pase la tubería de suministro de agua hacia la parte posterior de la unidad antes de instalarla.

CONEXIONES DE LA MANGUERA DE DESAGÜE

17. Conecte la manguera de desagüe



Coloque la abrazadera plateada proporcionada sobre el extremo del codo de la manguera de desagüe. Luego, empuje la manguera por el puerto de desagüe con la manguera apuntando hacia abajo de la lavavajillas. Apriete con unas pinzas para abrir la abrazadera y deslícela sobre el codo para asegurar que la manguera quede en su lugar. Pase la manguera por la parte trasera del producto.

NOTA:

- Si la manguera de desagüe se instala con el codo de goma mirando hacia afuera, puede que esta se retuerza y haga que el desagüe sea más lento o no se complete cuando la instalación se realiza en gabinetes con espacio reducido.
- Puede que haya un tapón de plástico en el puerto de desagüe para el envío, donde se conectará la manguera de desagüe. Si está incorporado, retire este tapón antes de instalar la manguera de desagüe.

CONEXIÓN DEL CABLE DE ALIMENTACIÓN

⚠ ADVERTENCIA



Peligro de Choque Eléctrico

Conecte a un contacto de pared de conexión a tierra de 3 terminales.

No quite la terminal de conexión a tierra.

No use un adaptador.

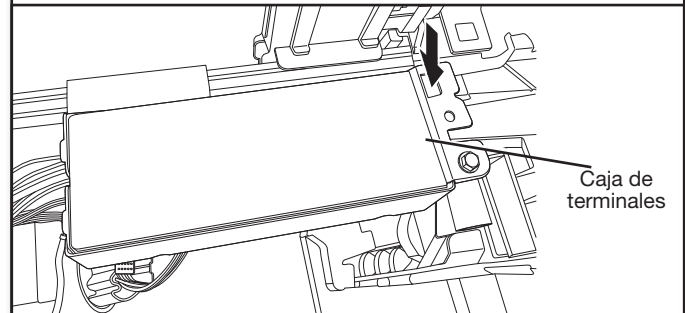
No use un cable eléctrico de extensión.

No seguir estas instrucciones puede ocasionar la muerte, incendio o choque eléctrico.

Si se instala el producto con un cable de alimentación.

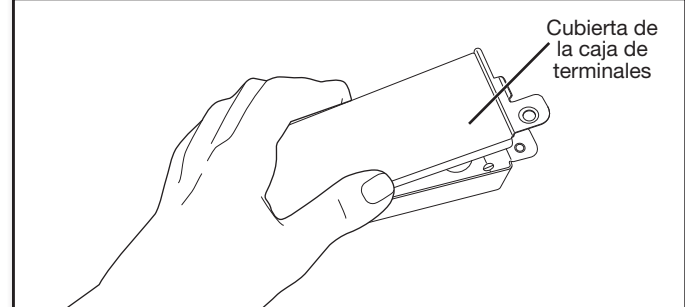
NOTA: Pase la manguera de desagüe por la parte posterior de la unidad antes de ponerla de pie. Prosiga con el paso 18. Si va a instalar el producto con un cableado directo, espere hasta después del paso 44, cuando la unidad ya esté instalada en la abertura del gabinete.

18. Retire la caja de terminales



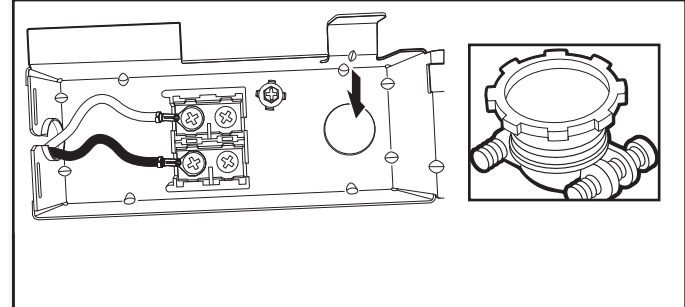
Para retirar la caja de terminales, presione la traba de plástico, deslice la caja hacia la izquierda de la unidad a lo largo del tubo de metal y gire el lado izquierdo de la caja hacia adelante. Asegúrese de que el cableado del producto aún esté conectado dentro de la caja de terminales.

19. Quite la cubierta de la caja de terminales



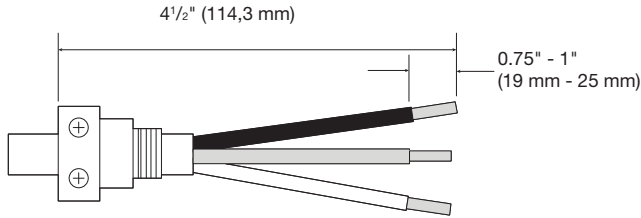
Con una llave de tuercas de 1/4" (6,4 mm) retire el tornillo que sostiene la cubierta de la caja de terminales. Levante la cubierta de la caja para retirarla. Guarde la cubierta para usarla más tarde.

20. Instale el protector de cables

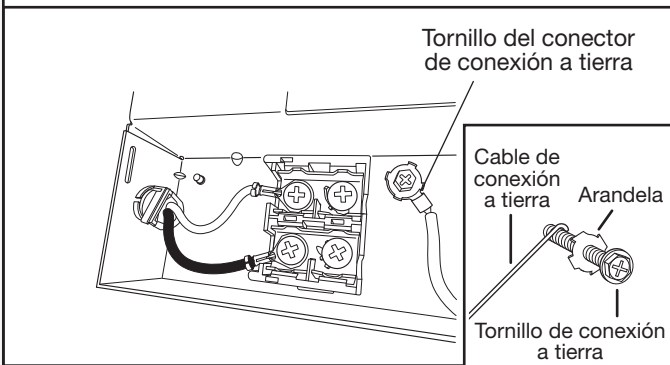


Instale un protector de cables con certificación UL/homologación CSA. Compruebe que las cabezas de los tornillos están orientadas hacia arriba al apretar la tuerca de la tubería. Se proporciona un protector de cables con el kit de cable de alimentación.

La longitud del cable sugerida depende del protector de cables

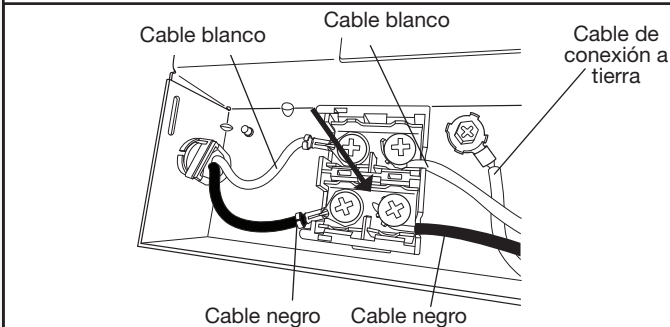


21. Conecte el cable a tierra



Pase el cable de alimentación por el protector de cables en la parte posterior de la caja de terminales. Retire el tornillo del conector a tierra en la superficie elevada dentro de la caja y pásela por el terminal de anillo del cable a tierra verde del cable de alimentación. Reinstale y ajuste el tornillo del conector a tierra a la superficie elevada de la caja.

22. Conecte los cables restantes



Seleccione conectores de rosca con certificación UL/homologación CSA para uso en lavavajillas.

Kit de cable de alimentación

El kit incluye generalmente el cable de alimentación, protector de cables de metal, pasacables.

(Número de pieza de Whirlpool W11365011 para kit de cables - recto y W11365014 para kit de cables - ángulo recto)

Para conectar los cables con terminales de anillo, retire los tornillos del bloque de terminales, coloque el tornillo a través de las terminales de anillo y vuelva a ajustarlos en el bloque de terminales.

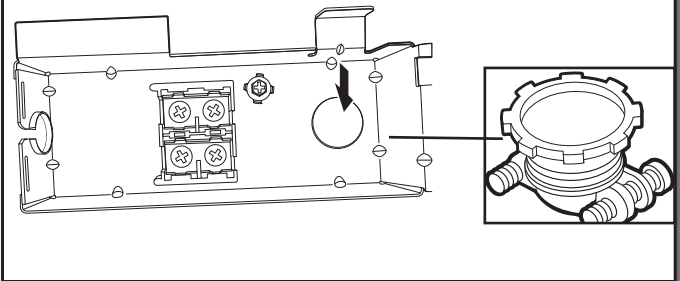
Para conectar los cables sin terminales de anillo, retire los tornillos del bloque de terminales, pase los extremos de los cables debajo de las cabezas de los tornillos y ajústelos.

NOTA: Los cables previamente estañados no se deben usar para conectar al bloque de terminales.

Configuración del cableado

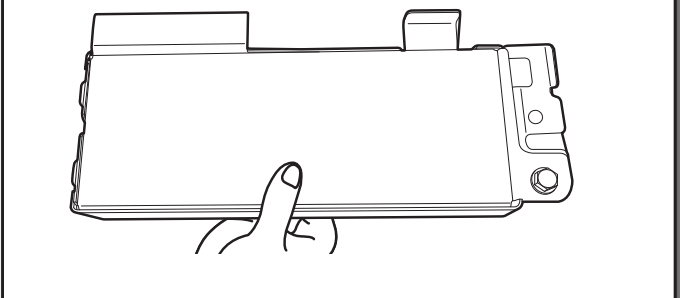
Power supply wire:	↔	Terminal box wire:
white	↔	white
black	↔	black
ground wire	↔	ground connector

23. Fije el cable en el protector de cables



Apretar los tornillos del protector de cables para asegurar el cable.

24. Vuelva a instalar la cubierta de la caja de terminales y los cables



Coloque los cables dentro de la caja de terminales. Sustituya la cubierta insertando los enganches de la cubierta de la caja de terminales en los orificios de la parte inferior de la caja de terminales, y deslice la cubierta apretándola contra la pared inferior donde se introducen los cables. Compruebe que los cables están dentro de la caja y no aprisionados contra la cubierta.

Vuelva a colocar la caja de terminales en la barra transversal y empuje hacia la derecha para que la caja de terminales encaje en el componente lateral de plástico.

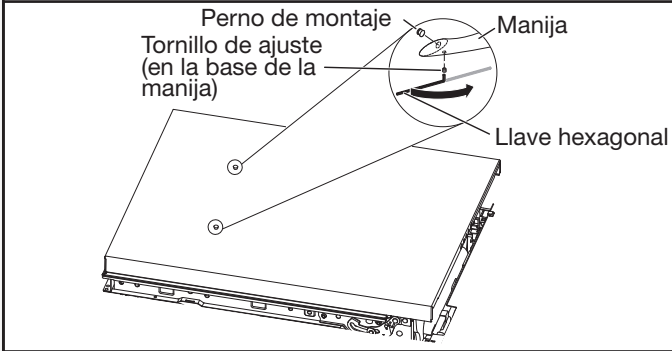
NOTAS:

- Después de reinstalar la caja de terminales en la lavavajillas, coloque el sobrante o la parte floja de los cables sobre los componentes cercanos para mantenerlos alejados del piso.
- Pase el cable por la parte posterior de la lavavajillas de forma que no toque el motor o la parte inferior de la tina de la lavavajillas.
- No enchufe el cable a una toma hasta que se le indique.
- Se permite un máximo de 2 conductores de suministro de cable de alimentación (tamaño máximo: 12 AWG) y 1 conductor de conexión a tierra en la caja de terminales.

IMPORTANTE: NO SE DEBE REALIZAR NINGUNA OTRA CONEXIÓN ELÉCTRICA DENTRO DE LA CAJA DE TERMINALES DE LA LAVAVAJILLAS MÁS QUE LA CONEXIÓN ELÉCTRICA DE ESTA.

INSTALE LA MANIJA DE LA PUERTA (EN ALGUNOS MODELOS)

25. Instale la manija de la puerta



IMPORTANTE: No raye el panel frontal durante este procedimiento. Si el panel frontal tiene una película protectora, despéguela más allá del punto de los pernos de la manija antes de instalarla. Es más fácil instalar la manija si la unidad está apoyada sobre la parte posterior.

Retire la manija de la puerta y la llave hexagonal del embalaje. Los tornillos de ajuste ya están instalados en la manija. Coloque la manija sobre los pernos de montaje con los tornillos de ajuste orientados hacia abajo. Presione con firmeza la manija contra la puerta. Inserte el extremo corto de la llave hexagonal en los tornillos de ajuste. Apriete los tornillos de ajuste 1/4 de giro adicional tras apretarlos.

Conserve la llave hexagonal con las instrucciones de instalación.

COLOQUE LA LAVAVAJILLAS EN EL GABINETE

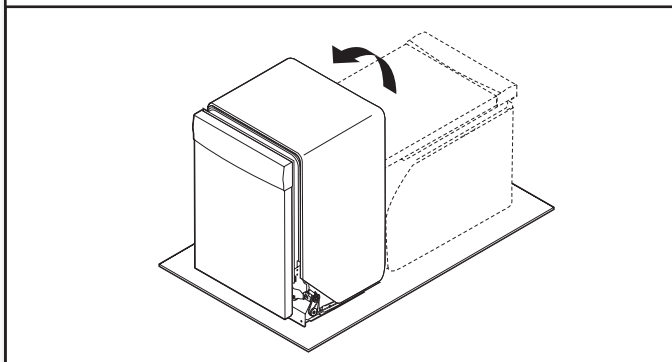
⚠ ADVERTENCIA

Peligro de Peso Excesivo

Use dos o más personas para mover e instalar la lavavajillas.

No seguir esta instrucción puede ocasionar una lesión en la espalda u otro tipo de lesiones.

26. Ponga la lavavajillas de pie



Con la ayuda de dos o más personas, ponga la lavavajillas en posición vertical.

NOTA: No instale la placa de protección hasta que se le indique.

La lavavajillas puede calzar estrechamente en la abertura del gabinete. No quite la manta aislante, ya que la misma reduce el nivel de sonido.

IMPORTANTE: No retuerza ni apriete la tubería de agua, la manguera de desagüe, el cable de alimentación o el cable directo entre la lavavajillas y el gabinete. Quite el cartón que está debajo de la lavavajillas (si se usó).

Coloque los paneles laterales de espuma (en algunos modelos)

Coloque los paneles laterales de espuma a ambos lados de la lavavajillas. Hay tres puntos de sujeción en cada lado.

- Sujeción 1: Ubique el corte en el panel lateral y sujételo al gancho del lado de la lavavajillas. (Consulte la Figura 1)

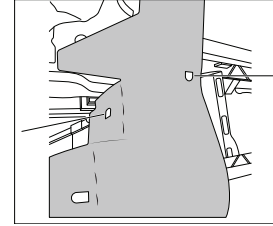


Figura: 1

- Sujeción 2: Use el otro corte en el panel lateral y sujételo al gancho en la parte delantera de la lavavajillas. (Consulte la Figura 2)

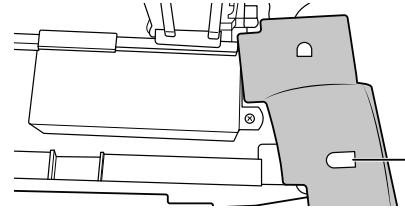


Figura: 2

- Sujeción 3: Alinee el orificio rectangular en el panel lateral con el orificio de tornillo en el panel de pie. Inserte el tornillo del panel de pie (consulte la figura 3) y apriételo ligeramente para mantenerlo en su lugar hasta que el panel de pie esté instalado.

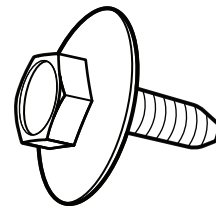


Figura: 3

- Coloque los extremos inferiores de los paneles laterales debajo de la lavavajillas. (Consulte las figuras 4 y 5)

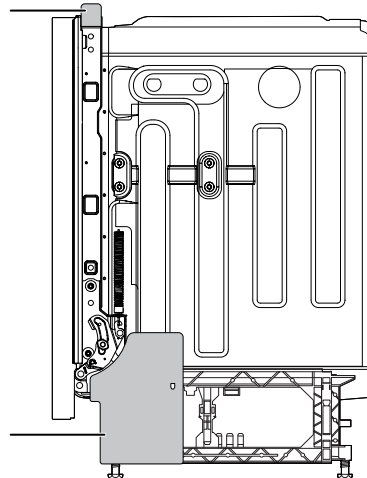


Figura: 4

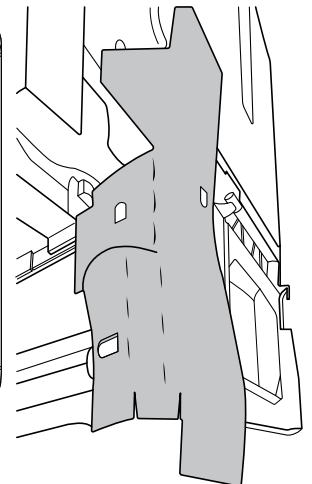
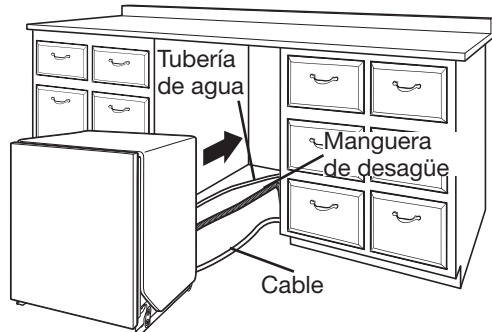


Figura: 5

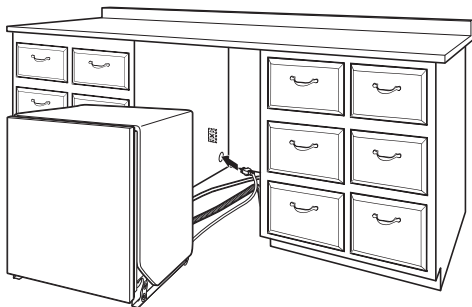
NOTA: Pase el suministro de agua, la manguera de desagüe y el cable de alimentación por la parte trasera de la lavavajillas. Si su producto tiene un aislante por la parte inferior, pase estas líneas por los cortes que tiene el aislante en la parte trasera del producto.

27. Mueva la lavavajillas cerca de la abertura del gabinete



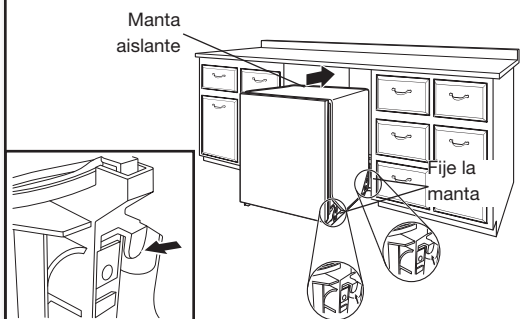
Pase los elementos a través de los orificios en el gabinete y tire para tensarlos mientras se introduce la lavavajillas en el gabinete.

28. Pase el cable de alimentación



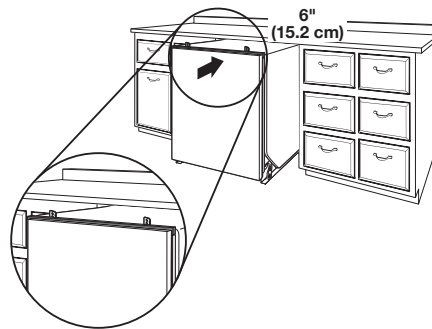
Si se utiliza un cable de alimentación, asegúrese de pasar el extremo por el orificio en la parte recortada antes de deslizar la lavavajillas en la abertura del gabinete.

29. Fije la manta aislante



NOTA: Compruebe que la manta aislante está fijada a las esquinas izquierda y derecha trasera antes de empujar a la abertura del gabinete para evitar que la manta se pliegue en un gabinete estrecho. La manta se puede fijar tirando el aislante hacia abajo en dirección a la parte inferior del producto y asegurando que los ganchos en los componentes laterales se enganchen en las ranuras que están en la manta aislante.

30. Introduzca la lavavajillas en la abertura del gabinete dejando que sobresalgan 6" (15,2 cm)

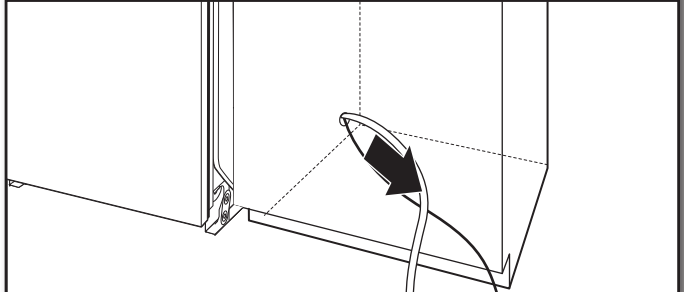


■ Coloque el aislante de sonido de espuma para la parte superior (en algunos modelos)

- Ajuste la espuma para la parte superior en la ranura del cuello superior de la lavavajillas como se muestra en la figura.

NOTA: Deje que la unidad sobresalga unas 6" (15,2 cm) del gabinete para instalar los soportes de anclaje.

31. Tire del cableado flojo de los servicios



NOTA: Tire de los elementos de suministro para tensarlos mientras se introduce la lavavajillas en la abertura del gabinete para evitar dobleces.

INSTALACIÓN DEL PANEL A LA MEDIDA (EN MODELOS CON PANELES A LA MEDIDA SOLAMENTE)

Para la instalación del panel a la medida, consulte la hoja de Instalación del panel a la medida incluida con el material de lectura. Complete la instalación del panel a la medida antes de pasar a la sección "Selección del método de sujeción de anclaje".

SELECCIÓN DEL MÉTODO DE SUJECIÓN DE ANCLAJE

IMPORTANTE: Fijar la lavavajillas al gabinete debe ser uno de los últimos pasos. Prepare la lavavajillas para este proceso fijando a la lavavajillas los 2 soportes que se encuentran en la bolsa de piezas.

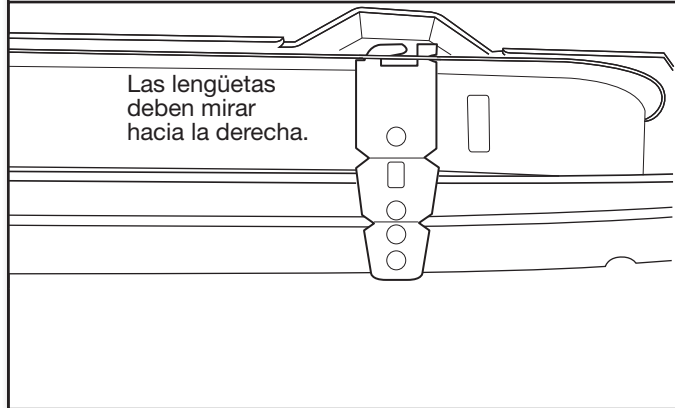
– Para los mostradores de madera, laminados o de otra superficie similar, realice una Sujeción al mostrador: vaya al paso 32.

– Para los mostradores de mármol, granito u otra superficie dura, realice una Sujeción lateral: vaya al paso 33.

NOTA: Si el espacio entre la parte superior de la puerta y la parte inferior del mostrador es estrecho (inferior a 1/4" [6,35 mm]), se recomienda realizar la Sujeción lateral para no rayar la interfaz del usuario o consola con los tornillos de anclaje.

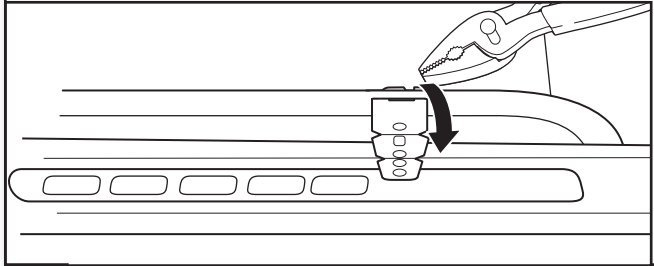
Sujeción al mostrador:

32. Inserte el soporte



Retire los soportes del paquete e insértelos en las ranuras abiertas de la parte superior izquierda y derecha del collar de la lavavajillas como se muestra.

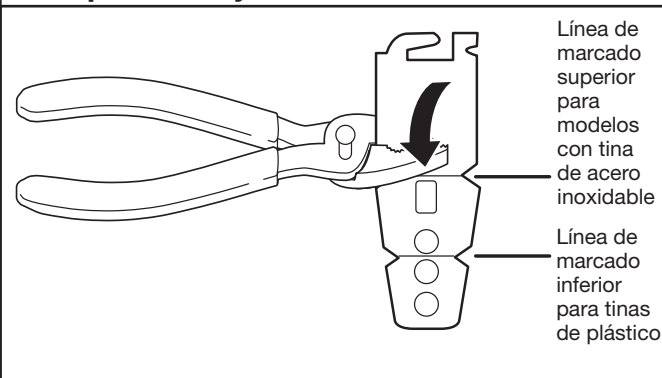
32a. Sujeción al mostrador



Utilice alicates para doblar/torcer la lengüeta y bloquear los soportes en su posición.

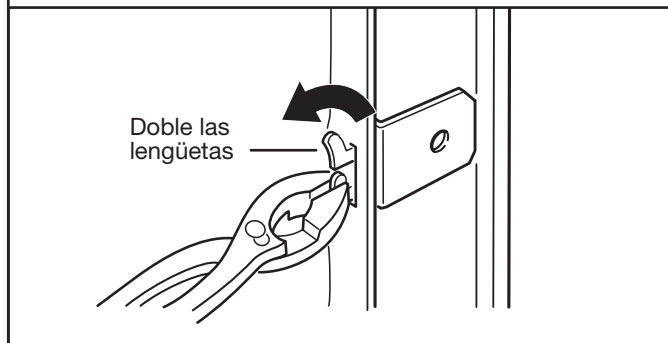
Sujeción lateral:

33. Rompa el extremo del soporte para la sujeción lateral



Use pinzas para romper el extremo del soporte a lo largo de la línea marcada. Use lijas para alisar todas las rebabas.

34. Instale el soporte para la sujeción lateral



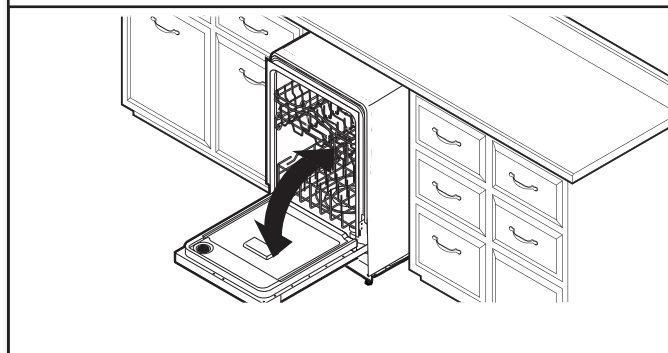
Empuje el soporte en la ranura del lado de la lavavajillas y doble la lengüeta hacia dentro y hacia el lado de la lavavajillas para mantener el soporte en su lugar. Repita este paso para el otro lado de la lavavajillas.

NOTA: Instale suplementos de madera en el interior del gabinete si el espacio entre los lados del gabinete y de la lavavajillas es superior a 1/2" (1,3 cm) en cada lado.

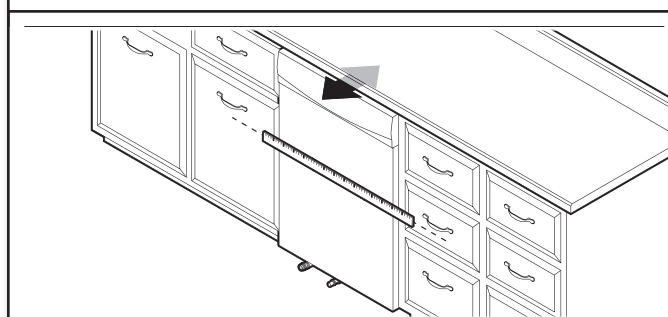
NOTA: No fije la lavavajillas. Esto se hará luego.

VERIFICACIÓN FINAL DE LA INSTALACIÓN

35. Abra y cierre la puerta

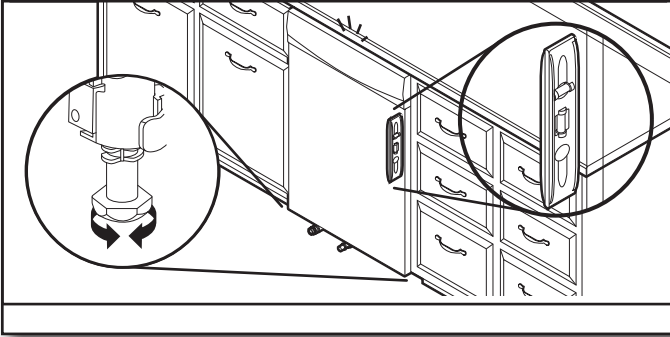


36. Alinee el frente de la lavavajillas con el frente de las puertas del gabinete



Alinee la parte frontal del panel de la puerta de la lavavajillas con la parte frontal de las puertas del gabinete. Tal vez necesite ajustar el alineamiento para que quede pareja con los gabinetes.

37. Compruebe la verticalidad y ajuste las patas si es necesario

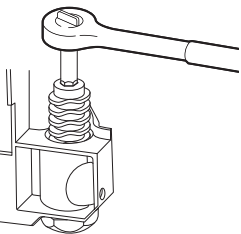


- Revise que las patas niveladoras estén firmes contra el piso. Cierre y trabe la puerta y coloque el nivel contra el panel frontal. Verifique que la lavavajillas esté centrada de frente hacia atrás en la abertura. Si es necesario, ajuste la pata niveladora hasta que la lavavajillas esté completamente vertical. Repita el procedimiento para el otro lado de la lavavajillas.
- Una vez que la lavavajillas esté a plomo, revise que las canastas no salgan rodando solas cuando abra la puerta. Ajuste las patas niveladoras frontales hasta que las canastas no rueden a menos que usted tire de ellas.

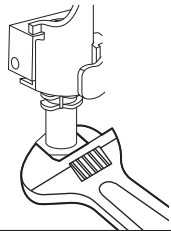
Consejo útil: Levante la parte frontal de la lavavajillas para separarla del piso y ajustar las patas frontales. En algunas instalaciones, puede ser más sencillo ajustar la pata delantera con una llave de cubo hexagonal de 7 mm o con una llave ajustable. Si el espacio entre la parte superior de la puerta y la parte inferior del mostrador es estrecho (inferior a 1/4" [6 mm]), se recomienda realizar la sujeción lateral para no rayar la interfaz del usuario o consola.

Nivele las patas frontales

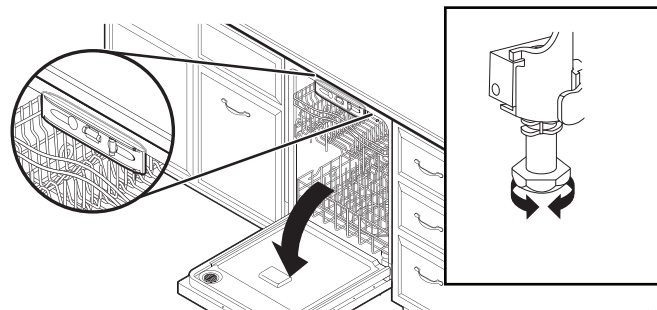
Método preferido



Método optativo



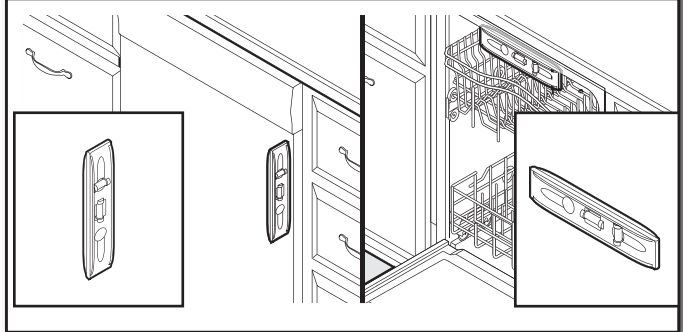
38. Verifique la nivelación de lado a lado y regule las patas si es necesario



Coloque el nivel contra la abertura superior frontal de la tina. Revise que la lavavajillas esté nivelada de lado a lado. Si la lavavajillas no está nivelada, suba o baje las patas frontales hasta que la lavavajillas esté nivelada.

ASEGURE LA LAVAVAJILLAS EN LA ABERTURA DEL GABINETE

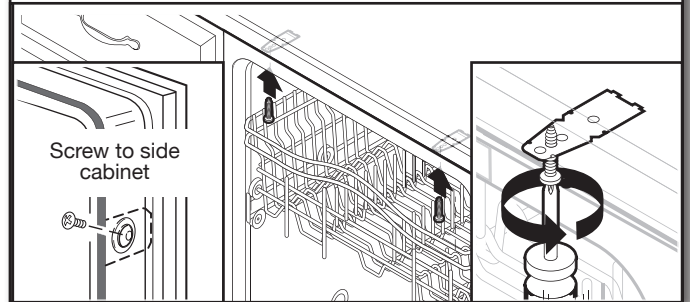
39. Compruebe otra vez el alineamiento de la lavavajillas con la abertura del gabinete



Compruebe que la lavavajillas siga nivelada de frente hacia atrás y de lado a lado en la abertura del gabinete.

Abra la puerta de la lavavajillas y coloque una toalla sobre el ensamblaje de la bomba y el brazo pulverizador de la lavavajillas. Esto evitará que los tornillos se caigan en el área de la bomba cuando fije la lavavajillas al gabinete.

40. Fije la lavavajillas

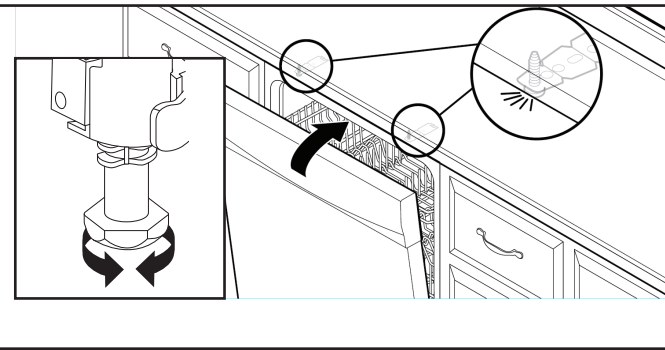


Abra la puerta de la lavavajillas como preparativo para fijar la lavavajillas al mostrador o al lado del gabinete.

NOTAS:

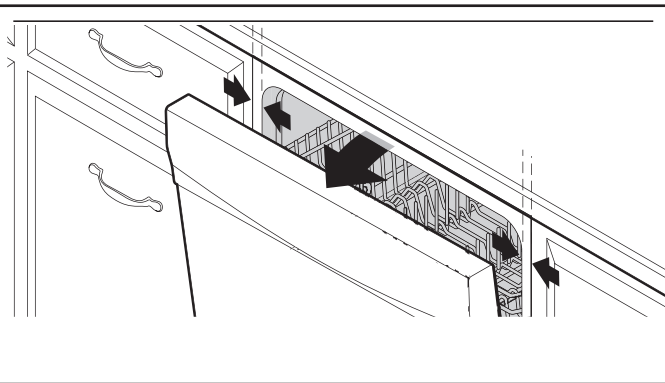
- la lavavajillas se debe fijar para que no se mueva al abrir o cerrar la puerta.
- No deje que los tornillos caigan al fondo de la lavavajillas.
- Localice los soportes instalados en la sección "Selección de método de fijación de anclaje", bien en la parte superior o los lados de la lavavajillas.
- **Para el anclaje al mostrador:** fije la lavavajillas al mostrador con dos tornillos Phillips (proporcionados).
- **Para el anclaje lateral:** taladre orificios de guía de 7/32" en el gabinete para no agrietar la madera. Fije la lavavajillas al gabinete con dos tornillos Phillips (proporcionados). Retire la canasta del segundo nivel para facilitar el acceso. Consulte la sección "Consejos para cargar la lavavajillas" para ver instrucciones sobre cómo retirar la canasta del segundo nivel si es necesario.

41. Compruebe el espacio de la puerta



IMPORTANTE: Revise que la parte superior de la puerta no haga contacto con los tornillos, los soportes o el mostrador. En caso contrario, ajuste las patas niveladoras o utilice la opción de sujeción lateral.

42. Compruebe el espacio interior



Abra la puerta y compruebe que el espacio entre la abertura del gabinete de la lavavajillas y la tina sea igual en ambos lados. Si los espacios no son iguales, afloje los tornillos del soporte y mueva la tina. Ajuste los tornillos del soporte.

43. Conexión por cable directo

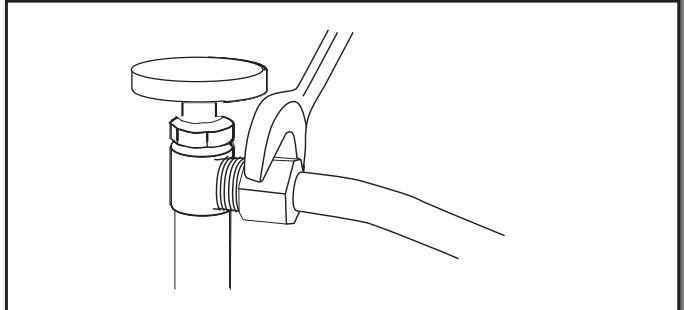
Para completar la conexión de cable directo. Complete los pasos 18 a 24 que aparecen en esta guía de instalación.

Una vez completados, vuelva al paso 44 para completar la instalación del producto.

CONEXIÓN DE TUBERÍA DE AGUA A MANGUERA DE VÁLVULA DE CIERRE DEL HOGAR

NOTA: Si se utiliza una manguera trenzada flexible, sustituya la manguera de entrada después de 5 años para reducir el riesgo de fallas. Para consulta en el futuro, anote en la manguera la fecha de instalación o la fecha de reposición.

44. Fije la tubería de suministro de agua



Fije la tubería de suministro de agua (tubería de cobre o tubería trenzada flexible de suministro de agua) a la tubería de suministro de agua caliente mediante una conexión que cumpla con los códigos y ordenanzas locales. El suministro de agua a la lavavajillas deberá tener una válvula de cierre manual ubicada debajo del lavadero. Abra la válvula de agua después de fijar la tubería de suministro de agua.

CONECTE LA MANGUERA DE DESAGÜE

45. Conecte la manguera de desagüe

Conecte la manguera de desagüe al tubo de residuos en "T" o al colector de residuos mediante una de las siguientes opciones:

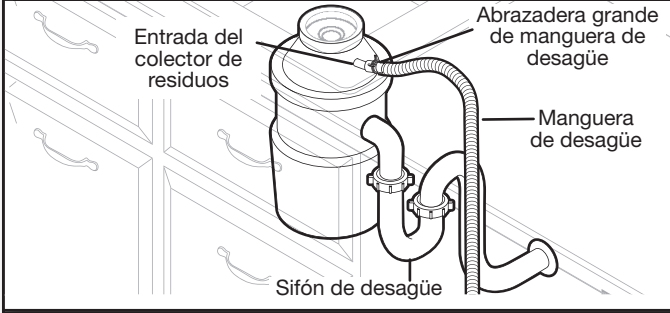
- Opción A: Colector de residuos - sin purga de aire
- Opción B: Sin colector de residuos - sin purga de aire
- Opción C: Colector de residuos - con purga de aire
- Opción D: Sin colector de residuos - con purga de aire

IMPORTANTE: la conexión de la manguera de desagüe del colector de residuos o del tubo de residuos en "T" se debe realizar antes de la purga de aire y como mínimo a 20" (50,8 cm) por encima del piso donde se instalará la lavavajillas.

Consejo útil: Para reducir la vibración de la manguera, manténgala lejos del piso.

NOTA: Use la abrazadera roja proporcionada para conectar la manguera de desagüe a la conexión del cliente: plomería o triturador de basura.

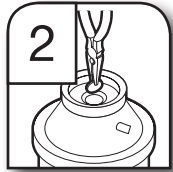
Opción A: Colector de residuos - sin purga de aire



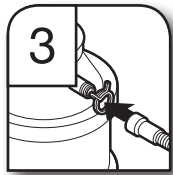
Consejo útil: Retire el tapón de apertura del colector de residuos.



1. Golpee el tapón del colector de residuos con un martillo y un destornillador.

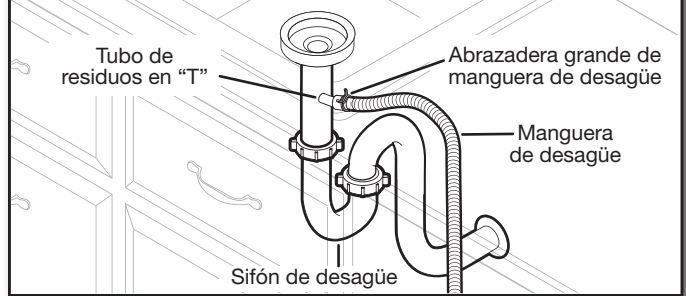


2. Utilice alicates de punta fina para quitar el tapón.



3. Fije la manguera de desagüe a la entrada del colector de residuos con una abrazadera grande para manguera de desagüe (proporcionada). Utilice pinzas para abrir la abrazadera y moverla hacia su posición.

Opción B: Sin colector de residuos - sin purga de aire

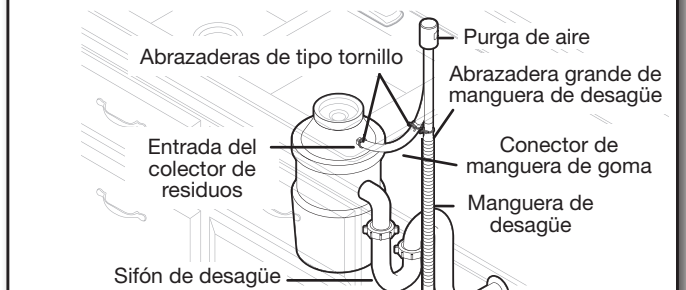


1. Conecte el extremo de goma de la manguera de desagüe al tubo de residuos en "T".

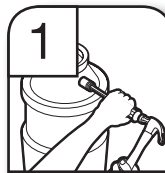


2. Fije el extremo de goma de la manguera de desagüe al tubo de residuos en "T" con una abrazadera grande para manguera de desagüe (proporcionada). Utilice pinzas para abrir la abrazadera y moverla hacia su posición. Si se cortó la manguera de desagüe, use una abrazadera tipo tornillo (no proporcionada) de 1½" a 2" (3,8 cm a 5 cm)

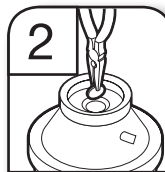
Opción C: Colector de residuos - con purga de aire



Consejo útil: Retire el tapón de apertura del colector de residuos.



1. Golpee el tapón del colector de residuos con un martillo y un destornillador.

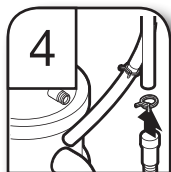


2. Utilice alicates de punta fina para quitar el tapón.



3. Conecte el extremo de goma de la manguera de desagüe a la purga de aire.

NOTA: no corte la sección en relieve.

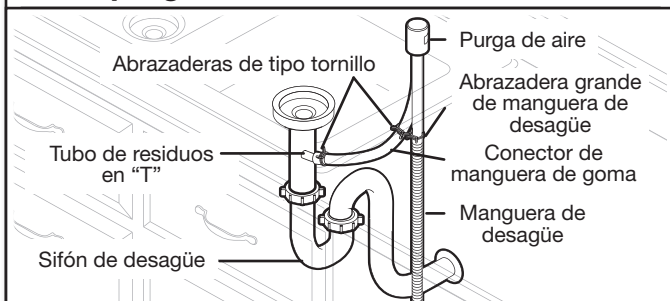


4. Fije la manguera de desagüe a la purga de aire con la abrazadera grande para manguera de desagüe (proporcionada). Utilice pinzas para abrir la abrazadera y moverla hacia su posición. Si se cortó la manguera de desagüe, use una abrazadera tipo tornillo (no proporcionada) de 1½" a 2" (3,8 cm a 5 cm)



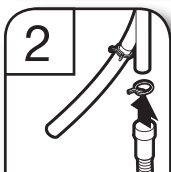
5. Use una manguera de goma (no provista) con las abrazaderas tipo tornillo para conectarlas desde la purga de aire hasta la entrada del colector de residuos.

Opción D: Sin colector de residuos - con purga de aire



1. Conecte el extremo de goma de la manguera de desagüe a la purga de aire.

NOTA: no corte la sección en relieve.



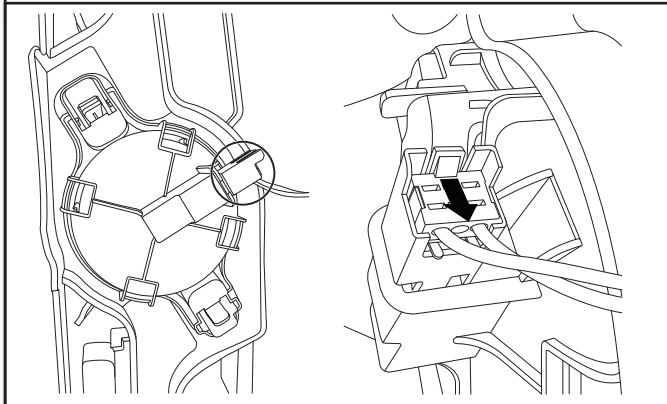
2. Fije la manguera de desagüe a la purga de aire con la abrazadera grande para manguera de desagüe (proporcionada). Utilice pinzas para abrir la abrazadera y moverla hacia su posición. Si se cortó la manguera de desagüe, use una abrazadera tipo tornillo (no proporcionada) de 1½" a 2" (3,8 cm a 5 cm).



3. Utilice una manguera de goma (no proporcionada) con las abrazaderas de tipo tornillo (no proporcionadas) para conectarlas desde el tubo de residuos en "T" hasta la purga de aire.

COMPLETE LA INSTALACIÓN

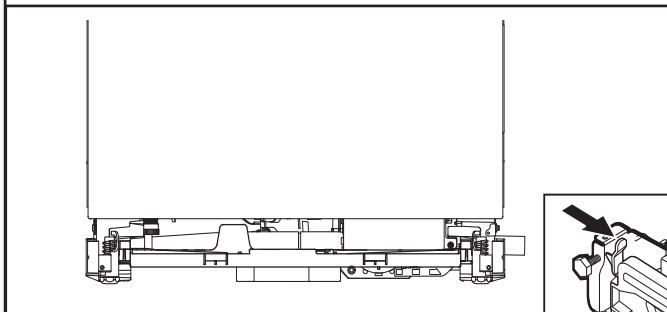
46. Vuelva a conectar el interruptor flotante



Compruebe que el cable de suministro eléctrico no entra en contacto con el motor o con la parte inferior de la tina de la lavavajillas.

Vuelva a conectar el interruptor flotante alineando el conector que se retiró en el paso 10 con la carcasa del conector y empujándolo hasta que la lengüeta de traba se pueda ver sobre la parte trasera del conector.

47. Vuelva a colocar la bandeja de goteo



NOTA: Antes de volver a colocar la bandeja de goteo, asegúrese de que no haya agua en la bandeja.

Para volver a colocar la bandeja de goteo, alinee los broches en los componentes laterales y presione hacia la unidad. Es importante que las mangueras negras estén arriba de la bandeja de goteo en ambos extremos una vez que esta se haya insertado del todo.

⚠ ADVERTENCIA



Peligro de Choque Eléctrico

Conecte a un contacto de pared de conexión a tierra de 3 terminales.

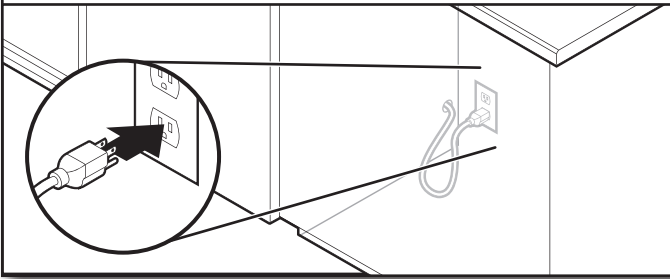
No quite la terminal de conexión a tierra.

No use un adaptador.

No use un cable eléctrico de extensión.

No seguir estas instrucciones puede ocasionar la muerte, incendio o choque eléctrico.

48. Cable de suministro eléctrico: enchúfelo en un tomacorriente de 3 terminales con conexión a tierra.



Conecte el producto a un tomacorriente de 3 terminales con conexión a tierra.

49. Reconecte el suministro eléctrico

Reconecte el suministro de energía en la caja de fusibles o la caja de cortacircuitos.

NOTA: Con el panel de acceso retirado, ponga la lavavajillas en marcha y deje que complete el ciclo de instalación más corto. Verifique que no haya fugas en la unidad. Consulte las instrucciones de este manual bajo la sección "Verifique el funcionamiento".

VERIFIQUE EL FUNCIONAMIENTO

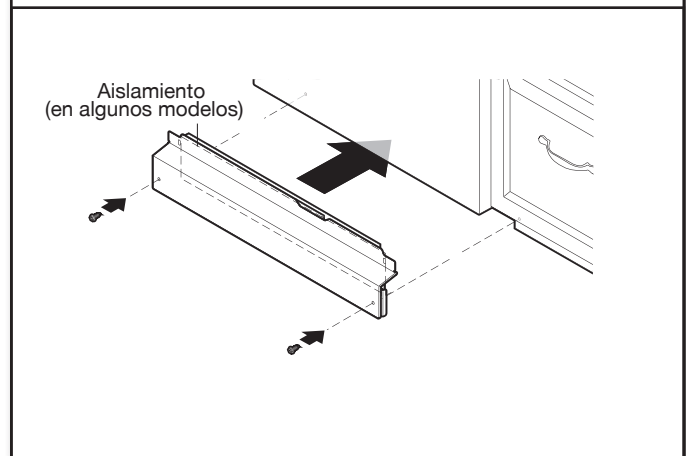
- Consulte la Guía de inicio rápido de la lavavajillas proporcionada con la lavavajillas.
- Compruebe que se hayan instalado todas las piezas y que no se haya omitido ningún paso. Verifique que haya usado todas las herramientas.
- Haga funcionar el ciclo de instalación como se indica a continuación (tenga en cuenta que puede ser mejor hacerlo funcionar sin el panel de acceso colocado para poder ver si aparece agua debajo de la unidad. Si se lo hace funcionar de esta manera, el cable del interruptor flotante DEBE seguir conectado al interruptor flotante).
- Si la lavavajillas no funciona de forma adecuada, desconecte el suministro de energía o desenchufe la lavavajillas y consulte la sección "Funcionamiento inadecuado de la lavavajillas".
- Presione 3 teclas cualquiera (excepto Delay (Retraso) o Cancel (Cancelar)) en una secuencia de 1-2-3-1-2-3-1-2-3 con no más de 1 segundo de diferencia entre cada toque de tecla para ingresar al ciclo de instalación. Luego, presione el botón #2.
- Cierre la puerta y el ciclo iniciará.
- Todas las luces LED se encienden inmediatamente al recibir la secuencia de ingreso.
- Puede que suene un tono, dependiendo del modelo.
- El ciclo se pausará cuando la puerta se abra y se reanudará cuando se cierre.
- No hace falta tocar las teclas Start/Resume (Inicio/Reanudar) para reanudar.
- El ciclo de instalación puede demorar varios minutos.
- Presione la tecla Cancel (Cancelar) para salir del modo de instalación. El producto saldrá de este modo luego de 10 minutos o si se desconecta el suministro de electricidad del electrodoméstico.

NOTA: Es normal que la bomba de desagüe haga un sonido fuerte la primera vez que trabaja, ya que no hay agua en el sistema.

Pantalla numérica	Todos los LED encendidos	1	2	3	4	5 (algunos modelos)	6	7
Intervalo de tiempo aproximado	0:01	0:30 (máximo 5:00)	2:00	0:20	0:20	0:20	0:30	1:00 (máximo 5:00)
Acción de la máquina	Pausa	Desagüe inicial	Llene con 3,8 l + pulsos del motor de lavado	Lavado + dispensador (brazo de pulsos rociador medio)	Lavado + ventilador (brazo rociador del techo)	Lavado + canasta del tercer nivel. Si está incluida en este modelo	Lavado + calentador (brazo rociador inferior)	Proceso de desagüe

INSTALE LOS PANELES DE ACCESO

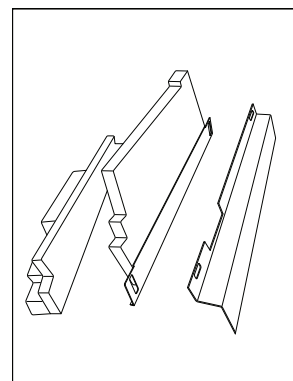
50. Vuelva a instalar los paneles de acceso y los elementos de sujeción



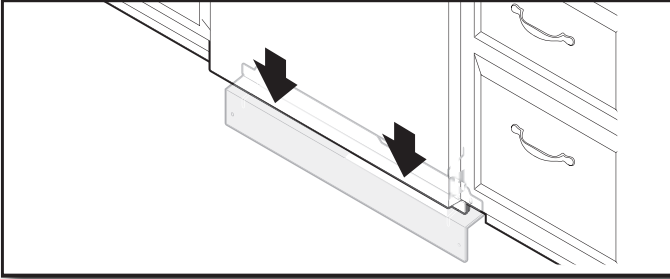
Coloque el panel de pie detrás del panel de acceso contra la pata de la lavavajillas. Si el aislante está incluido en este modelo, asegúrese de que este no interfiera con el ensamblaje del flotante. Mueva el panel de acceso hacia arriba hacia la parte superior del producto de modo que quede colgado en los ganchos de los componentes de plástico laterales.

- Reinstale el ensamblaje del panel de acceso/de pie para que el panel lateral esté entre el ensamblaje del panel de acceso/de pie y el miembro lateral. Alinee la ranura rectangular en la espuma e instale el ensamblaje del panel de acceso/de pie a la unidad con el tornillo.

NOTA: Retire la película en el marcado de la puerta alrededor de esta para realizarlo más fácilmente.

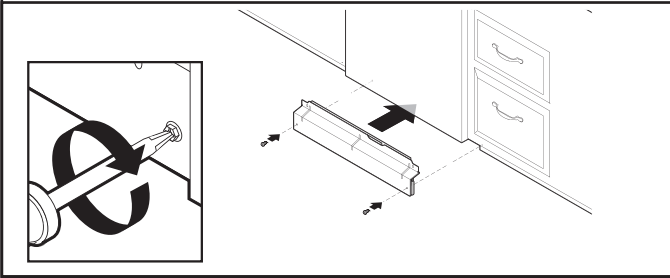


51. Compruebe el borde del panel de acceso



Compruebe que el borde inferior del panel de acceso esté en contacto con el piso. Ajústelo si es necesario.

52. Vuelva a instalar los paneles de acceso



Use una llave de tuercas de 5/16" para volver a instalar los tornillos a través de los orificios en los paneles de acceso.

SI LA LAVAVAJILLAS NO FUNCIONA

Pruebe primero las soluciones aquí sugeridas; tal vez, podría evitarse el costo de llamar al servicio técnico.

- ¿Se ha disparado el cortacircuitos o se ha quemado el fusible de la casa?
- ¿Se ha cerrado y trabado bien la puerta?
- ¿Se ha seleccionado correctamente el ciclo para poner en marcha la lavavajillas?
- ¿Está abierta la llave del agua?
- ¿El cable del interruptor flotante debajo del producto está conectado al interruptor flotante?
- Asegúrese de que Control Lock (Bloqueo de controles) esté desactivado.

Si no funciona ninguna de estas soluciones, consulte la Guía de inicio rápido para obtener la información de contacto del servicio técnico.

NOTES

