

# DIMENSIONS

## COMMERCIAL-STYLE RANGES

### PRODUCT DIMENSIONS

| MODEL #                       | 30" (76.2 cm) RANGES<br>DUAL-FUEL/GAS<br>KFDC500J/KFGC500J |      | 36" (91.4 cm) RANGES<br>DUAL-FUEL/GAS<br>KFDC506J/KFGC506J |      |
|-------------------------------|--|------|--|------|
|                               | in   | cm   | in   | cm   |
| Overall Width (A)             | 29 <sup>7</sup> / <sub>8</sub>                             | 75.9 | 35 <sup>7</sup> / <sub>8</sub>                             | 91.1 |
| Bullnose Height (B)           | 2 <sup>3</sup> / <sub>16</sub>                             | 5.6  | 2 <sup>3</sup> / <sub>16</sub>                             | 5.6  |
| Control Panel Height (C)      | 5 <sup>5</sup> / <sub>16</sub>                             | 13.5 | 5 <sup>5</sup> / <sub>16</sub>                             | 13.5 |
| Door Height (D)               | 20 <sup>11</sup> / <sub>16</sub>                           | 52.6 | 20 <sup>11</sup> / <sub>16</sub>                           | 52.6 |
| Door Bottom to Handle Top (E) | 20   | 50.8 | 20   | 50.8 |
| Toe-Kick Height (F)           | 5 <sup>1</sup> / <sub>2</sub>                              | 14   | 5 <sup>1</sup> / <sub>2</sub>                              | 14   |



**FRONT VIEW**

**IMPORTANT:** Dimensional specifications are provided for planning purposes only. Do not make any cutouts based on this information. Refer to the Installation Guide before selecting cabinetry, verifying electrical/gas connections, making cutouts or beginning installation. All KitchenAid® appliances are appropriately UL, CUL or CSA approved.

# DIMENSIONS

## COMMERCIAL-STYLE RANGES

### PRODUCT DIMENSIONS

| MODEL #                         | 48" (121.9 cm) RANGES<br>DUAL-FUEL/GAS<br>KFDC558J/KFGC558J |       |
|---------------------------------|---|-------|
| Unit of Measurement             | in  | cm    |
| Overall Width (A)               | 47 <sup>7</sup> / <sub>8</sub>                              | 121.6 |
| Bullnose Height (B)             | 2 <sup>3</sup> / <sub>16</sub>                              | 5.6   |
| Control Panel Height (C)        | 5 <sup>5</sup> / <sub>16</sub>                              | 13.5  |
| Door Heights (D)                | 20 <sup>11</sup> / <sub>16</sub>                            | 52.6  |
| Door Bottoms to Handle Tops (E) | 20  | 50.8  |
| Secondary Oven Door Width (F)   | 17 <sup>3</sup> / <sub>4</sub>                              | 45.1  |
| Main Oven Door Width (G)        | 29 <sup>5</sup> / <sub>8</sub>                              | 75.2  |
| Toe-Kick Height (H)             | 5 <sup>1</sup> / <sub>2</sub>                               | 14    |



FRONT VIEW

**IMPORTANT:** Dimensional specifications are provided for planning purposes only. Do not make any cutouts based on this information. Refer to the Installation Guide before selecting cabinetry, verifying electrical/gas connections, making cutouts or beginning installation. All KitchenAid® appliances are appropriately UL, CUL or CSA approved.

# DIMENSIONS

## COMMERCIAL-STYLE RANGES

### PRODUCT DIMENSIONS

| MODEL #                               | 30" (76.2 cm) RANGES<br>DUAL-FUEL/GAS<br>KFDC500J/KFGC500J |       | 36" (91.4 cm) RANGES<br>DUAL-FUEL/GAS<br>KFDC506J/KFGC506J |       |
|---------------------------------------|--|-------|--|-------|
|                                       | in   | cm    | in   | cm    |
| Depth with Control Panel Overhang (G) | 27 <sup>3</sup> / <sub>4</sub>                             | 70.5  | 27 <sup>3</sup> / <sub>4</sub>                             | 70.5  |
| Depth with Handle (H)                 | 30 <sup>1</sup> / <sub>4</sub>                             | 76.9  | 30 <sup>1</sup> / <sub>4</sub>                             | 76.9  |
| Depth with Door Fully Open (I)        | 46 <sup>1</sup> / <sub>2</sub>                             | 118.1 | 46 <sup>1</sup> / <sub>2</sub>                             | 118.1 |



TOP VIEW

**IMPORTANT:** Dimensional specifications are provided for planning purposes only. Do not make any cutouts based on this information. Refer to the Installation Guide before selecting cabinetry, verifying electrical/gas connections, making cutouts or beginning installation. All KitchenAid® appliances are appropriately UL, CUL or CSA approved.

# DIMENSIONS

## COMMERCIAL-STYLE RANGES

### PRODUCT DIMENSIONS

| MODEL #                               | 48" (121.9 cm) RANGES<br>DUAL-FUEL/GAS<br>KFDC558J/KFGC558J |       |
|---------------------------------------|---|-------|
|                                       | in  | cm    |
| Depth with Control Panel Overhang (I) | 27 <sup>3</sup> / <sub>4</sub>                              | 70.5  |
| Depth with Handles (J)                | 30 <sup>1</sup> / <sub>4</sub>                              | 76.9  |
| Depth with Doors Fully Open (K)       | 46 <sup>1</sup> / <sub>2</sub>                              | 118.1 |



TOP VIEW

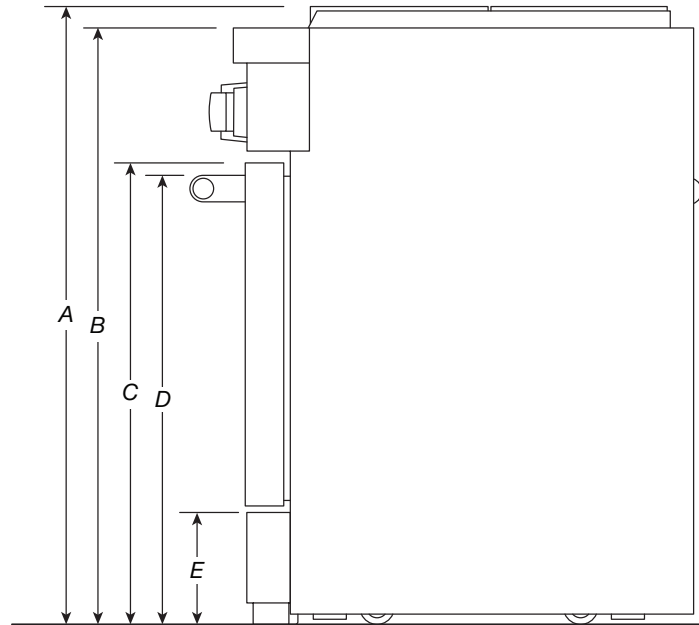
**IMPORTANT:** Dimensional specifications are provided for planning purposes only. Do not make any cutouts based on this information. Refer to the Installation Guide before selecting cabinetry, verifying electrical/gas connections, making cutouts or beginning installation. All KitchenAid® appliances are appropriately UL, CUL or CSA approved.

## COMMERCIAL-STYLE RANGES

### PRODUCT DIMENSIONS

| MODEL #                        | 30" (76.2 cm) RANGES<br>DUAL-FUEL/GAS<br>KFDC500J/KFGC500J |      | 36" (91.4 cm) RANGES<br>DUAL-FUEL/GAS<br>KFDC506J/KFGC506J |      | 48" (121.9 cm) RANGES<br>DUAL-FUEL/GAS<br>KFDC558J/KFGC558J |      |
|--------------------------------|--|------|--|------|---|------|
|                                | in   | cm   | in   | cm   | in  | cm   |
| Grates Top Height (A)          | 37 <sup>3</sup> / <sub>16</sub>                            | 94.5 | 37 <sup>3</sup> / <sub>16</sub>                            | 94.5 | 37 <sup>3</sup> / <sub>16</sub>                             | 94.5 |
| Cooking Surface Top Height (B) | 36   | 91.4 | 36   | 91.4 | 36  | 91.4 |
| Door Top Height (C)            | 27 <sup>7</sup> / <sub>8</sub>                             | 70.8 | 27 <sup>7</sup> / <sub>8</sub>                             | 70.8 | 27 <sup>7</sup> / <sub>8</sub>                              | 70.8 |
| Handle Top Height (D)          | 27 <sup>1</sup> / <sub>8</sub>                             | 68.9 | 27 <sup>1</sup> / <sub>8</sub>                             | 68.9 | 27 <sup>1</sup> / <sub>8</sub>                              | 68.9 |
| Toe-Kick Height (E)            | 6 <sup>5</sup> / <sub>8</sub>                              | 16.9 | 6 <sup>5</sup> / <sub>8</sub>                              | 16.9 | 6 <sup>5</sup> / <sub>8</sub>                               | 16.9 |
| <b>OTHER DIMENSIONS</b>        |  |      |  |      |   |      |
| Maximum Feet Extension Height* | 1 <sup>1</sup> / <sub>2</sub>                              | 3.8  | 1 <sup>1</sup> / <sub>2</sub>                              | 3.8  | 1 <sup>1</sup> / <sub>2</sub>                               | 3.8  |

\* **IMPORTANT:** Minimum height dimensions are at the lowest point of the height adjustment range. When the leveling legs are fully extended, all heights have 1<sup>1</sup>/<sub>2</sub>" (3.8 cm) of added height.



**SIDE VIEW**

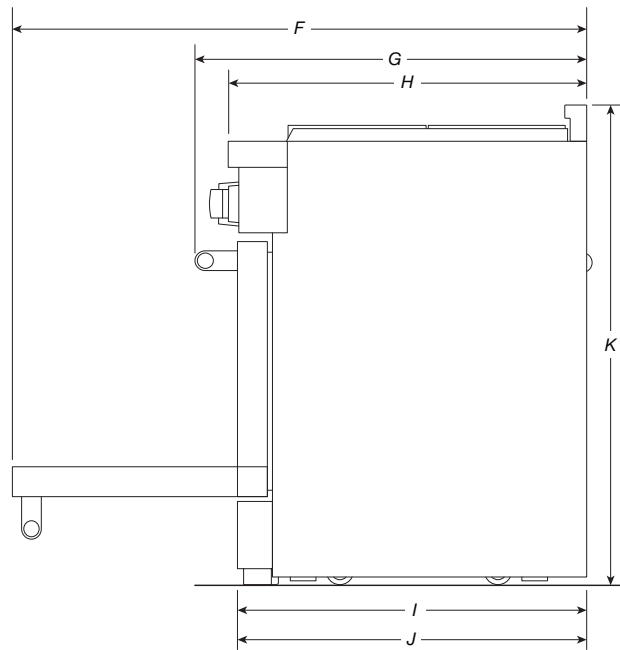
**IMPORTANT:** Dimensional specifications are provided for planning purposes only. Do not make any cutouts based on this information. Refer to the Installation Guide before selecting cabinetry, verifying electrical/gas connections, making cutouts or beginning installation. All KitchenAid® appliances are appropriately UL, CUL or CSA approved.

## COMMERCIAL-STYLE RANGES

### PRODUCT DIMENSIONS

| MODEL #                               | 30" (76.2 cm) RANGES<br>DUAL-FUEL/GAS<br>KFDC500J/KFGC500J |       | 36" (91.4 cm) RANGES<br>DUAL-FUEL/GAS<br>KFDC506J/KFGC506J |       | 48" (121.9 cm) RANGES<br>DUAL-FUEL/GAS<br>KFDC558J/KFGC558J |       |
|---------------------------------------|--|-------|--|-------|---|-------|
|                                       | in   | cm    | in   | cm    | in  | cm    |
| Depth with Door Fully Open (F)        | 46½  | 118.1 | 46½  | 118.1 | 46½   | 118.1 |
| Depth with Handle (G)                 | 30¼  | 76.9  | 30¼  | 76.9  | 30¼   | 76.9  |
| Depth with Control Panel Overhang (H) | 27¾  | 70.5  | 27¾  | 70.5  | 27¾   | 70.5  |
| Depth to Toe-Kick with Door (I)       | 27   | 68.6  | 27   | 68.6  | 27  | 68.6  |
| Depth with Door (J)                   | 27   | 68.6  | 27   | 68.6  | 27  | 68.6  |
| <b>OTHER DIMENSIONS</b>               |  |       |  |       |   |       |
| Gas Vent Height (K)*                  | 39   | 99.1  | 39   | 99.1  | 39  | 99.1  |

\*Gas Units only: KFGC500J, KFGC506J and KFGC558J.



**SIDE VIEW**

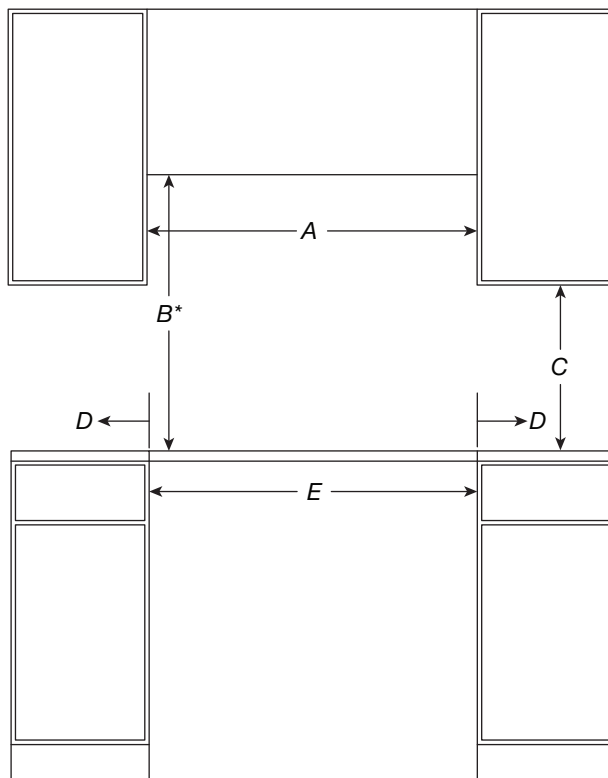
**IMPORTANT:** Dimensional specifications are provided for planning purposes only. Do not make any cutouts based on this information. Refer to the Installation Guide before selecting cabinetry, verifying electrical/gas connections, making cutouts or beginning installation. All KitchenAid® appliances are appropriately UL, CUL or CSA approved.

## COMMERCIAL-STYLE RANGES

### OPENING/CLEARANCE DIMENSIONS

| MODEL #  | 30" (76.2 cm) RANGES<br>DUAL-FUEL/GAS<br>KFDC500J/KFGC500J |       | 36" (91.4 cm) RANGES<br>DUAL-FUEL/GAS<br>KFDC506J/KFGC506J |       | 48" (121.9 cm) RANGES<br>DUAL-FUEL/GAS<br>KFDC558J/KFGC558J |       |
|--|--|-------|--|-------|---|-------|
|  | in   | cm    | in   | cm    | in  | cm    |
| Combustible Area above Cooking Surface Width (min.) (A)    | 30   | 76.2  | 36   | 91.4  | 48  | 121.9 |
| Bottom of Cabinet Height above Cooking Surface (min.) (B)* | 42   | 106.7 | 58   | 147.3 | 58  | 147.3 |
| Bottom of Cabinet Height above Countertop (min.) (C)       | 18   | 45.7  | 18   | 45.7  | 18  | 45.7  |
| Distance to Fixed Wall or Combustible Material (min.) (D)  | 12   | 30.5  | 12   | 30.5  | 12  | 30.5  |
| Opening Width (min.) (E)                                   | 30   | 76.2  | 36   | 91.4  | 48  | 121.9 |

\* If installing a hood or hood liner above the range, follow the hood or hood liner instructions for dimensional clearances above the cooking surface.



**FRONT VIEW**

**IMPORTANT:** Dimensional specifications are provided for planning purposes only. Do not make any cutouts based on this information. Refer to the Installation Guide before selecting cabinetry, verifying electrical/gas connections, making cutouts or beginning installation. All KitchenAid® appliances are appropriately UL, CUL or CSA approved.

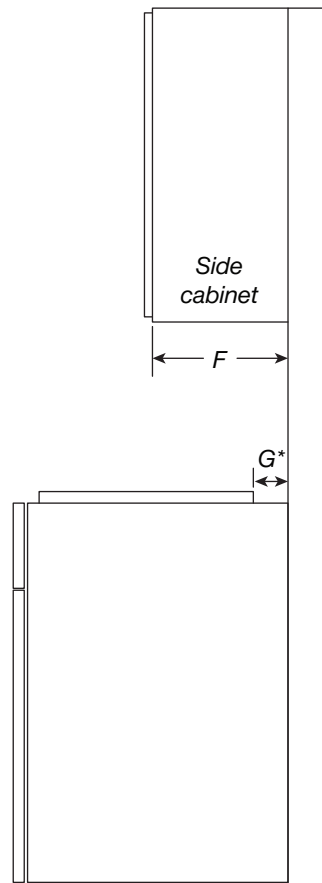
## COMMERCIAL-STYLE RANGES

### OPENING/CLEARANCE DIMENSIONS

| MODEL #                           | 30" (76.2 cm) RANGES<br>DUAL-FUEL/GAS<br>KFDC500J/KFGC500J |     | 36" (91.4 cm) RANGES<br>DUAL-FUEL/GAS<br>KFDC506J/KFGC506J |     | 48" (121.9 cm) RANGES<br>DUAL-FUEL/GAS<br>KFDC558J/KFGC558J |     |
|-----------------------------------|--|-----|--|-----|---|-----|
|                                   | in   | cm  | in   | cm  | in  | cm  |
| Upper Cabinet Depth (max.) (F)    | 13   | 33  | 13   | 33  | 13  | 33  |
| Depth from Wall to Grates (G)*    | 1½   | 3.9 | 1½   | 3.9 | 1½  | 3.9 |
| Depth from Wall to back of Unit** | 0  | 0   | 0  | 0   | 0   | 0   |

\* If the back wall is constructed of a combustible material and a backsplash is not installed a 7½" (19.1 cm) minimum clearance is required.

\*\* If the back wall is constructed of a combustible material and a backsplash is not installed a 6" (15.2 cm) minimum clearance is required.



**SIDE VIEW**

**IMPORTANT:** Dimensional specifications are provided for planning purposes only. Do not make any cutouts based on this information. Refer to the Installation Guide before selecting cabinetry, verifying electrical/gas connections, making cutouts or beginning installation. All KitchenAid® appliances are appropriately UL, CUL or CSA approved.



## COMMERCIAL-STYLE RANGES

### ELECTRICAL REQUIREMENTS

| MODEL #                    | 30" (76.2 cm) RANGES<br>DUAL-FUEL/GAS<br>KFDC500J/KFGC500J |      | 36" (91.4 cm) RANGES<br>DUAL-FUEL/GAS<br>KFDC506J/KFGC506J |      | 48" (121.9 cm) RANGES<br>DUAL-FUEL/GAS<br>KFDC558J/KFGC558J |       |
|----------------------------|--|------|--|------|---|-------|
|                            | in   | cm   | in   | cm   | in  | cm    |
| Electrical Zone Width (A)  | 22   | 55.9 | 28   | 71.1 | 40  | 101.6 |
| Electrical Zone Height (B) | 15   | 38.1 | 15   | 38.1 | 15  | 38.1  |
| Electrical Zone Depth (C)  | 5  | 12.7 | 5  | 12.7 | 5   | 12.7  |

#### ELECTRIC REQUIREMENTS CHECKLIST

- A 240 V, 60 Hz, fused, grounded circuit is required.
- For 30" (76.2 cm) and 36" (91.4 cm) ranges, use a 40 A circuit.
- For 48" (121.9 cm) ranges, use a 50 A circuit.
- A dedicated circuit is recommended.

#### RECOMMENDED ELECTRICAL ZONE



FRONT VIEW

#### WIDTH TO ELECTRICAL CONDUIT



BACK VIEW

**NOTE:** If you have questions about your electrical supply, call a licenced, qualified electrician.

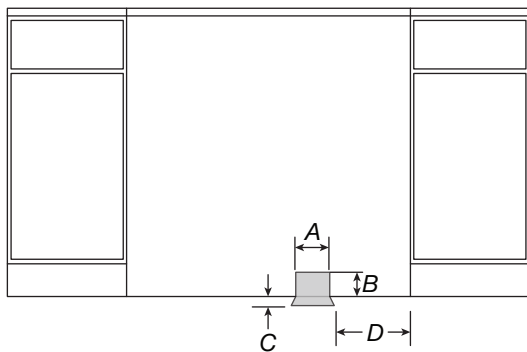
**IMPORTANT:** Dimensional specifications are provided for planning purposes only. Do not make any cutouts based on this information. Refer to the Installation Guide before selecting cabinetry, verifying electrical/gas connections, making cutouts or beginning installation. All KitchenAid® appliances are appropriately UL, CUL or CSA approved.

## COMMERCIAL-STYLE RANGES

### GAS REQUIREMENTS

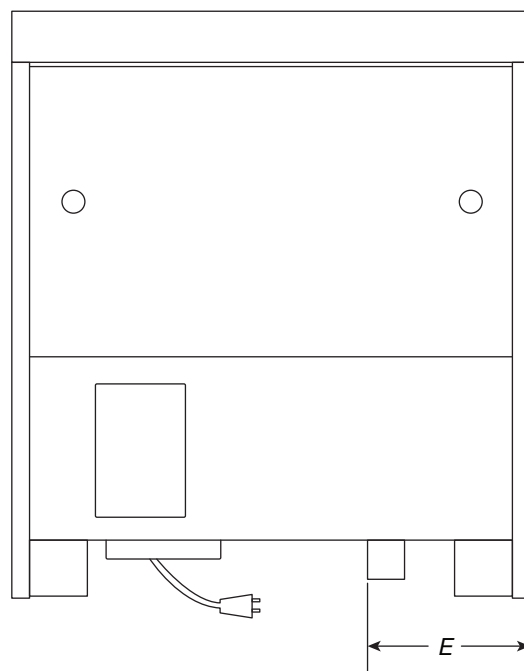
| MODEL #                                       | 30" (76.2 cm) RANGES<br>DUAL-FUEL/GAS<br>KFDC500J/KFGC500J |      | 36" (91.4 cm) RANGES<br>DUAL-FUEL/GAS<br>KFDC506J/KFGC506J |      | 48" (121.9 cm) RANGES<br>DUAL-FUEL/GAS<br>KFDC558J/KFGC558J |      |
|---|--|------|--|------|---|------|
|   | in   | cm   | in   | cm   | in  | cm   |
| Gas Opening Width (A)                         | 6  | 15.2 | 14   | 35.6 | 24  | 61   |
| Gas Opening Height (B)                        | 3  | 7.6  | 3  | 7.6  | 3   | 7.6  |
| Gas Opening Depth (C)                         | 5  | 12.7 | 5  | 12.7 | 5   | 12.7 |
| Distance from Side Cabinet to Gas Opening (D) | 9  | 22.9 | 9  | 22.9 | 9   | 22.9 |
| Width to Gas Inlet (E)                        | 12 <sup>3</sup> / <sub>4</sub>                             | 32.4 | 12 <sup>3</sup> / <sub>4</sub>                             | 32.4 | 12 <sup>3</sup> / <sub>4</sub>                              | 32.4 |

#### RECOMMENDED GAS ZONE



FRONT VIEW

#### WIDTH TO GAS INLET



BACK VIEW

**NOTE:** If you have questions about your gas supply, call a licenced, qualified service technician.

**IMPORTANT:** Dimensional specifications are provided for planning purposes only. Do not make any cutouts based on this information. Refer to the Installation Guide before selecting cabinetry, verifying electrical/gas connections, making cutouts or beginning installation. All KitchenAid® appliances are appropriately UL, CUL or CSA approved.

## CUISINIÈRE DE STYLE COMMERCIAL

### DIMENSIONS DU PRODUIT

| NO DE MODÈLE                              | CUISINIÈRE BI-COMBUSTIBLES/<br>AU GAZ DE 30 po (76,2 cm)<br>KFDC500J/KFGC500J |      | CUISINIÈRE BI-COMBUSTIBLES/<br>AU GAZ de 36 po (91,4 cm)<br>KFDC506J/KFGC506J |      |
|---|---|------|---|------|
|   | po  | cm   | po  | cm   |
| Unité de mesure                           |   |      |   |      |
| Largeur totale (A)                        | 29 <sup>7</sup> / <sub>8</sub>  | 75,9 | 35 <sup>7</sup> / <sub>8</sub>  | 91,1 |
| Hauteur des bords arrondis (B)            | 2 <sup>3</sup> / <sub>16</sub>  | 5,6  | 2 <sup>3</sup> / <sub>16</sub>  | 5,6  |
| Hauteur du panneau de commande (C)        | 5 <sup>5</sup> / <sub>16</sub>  | 13,5 | 5 <sup>5</sup> / <sub>16</sub>  | 13,5 |
| Hauteur de la porte (D)                   | 20 <sup>11</sup> / <sub>16</sub>  | 52,6 | 20 <sup>11</sup> / <sub>16</sub>  | 52,6 |
| Bas de la porte au haut de la poignée (E) | 20  | 50,8 | 20  | 50,8 |
| Hauteur de la plinthe (F)                 | 5 <sup>1</sup> / <sub>2</sub>   | 14   | 5 <sup>1</sup> / <sub>2</sub>   | 14   |



VUE AVANT

**IMPORTANT :** Les spécifications dimensionnelles sont fournies uniquement à des fins de planification.  
**Ne faire aucune découpe sur la base de cette information.** Se référer au Guide d'installation avant de choisir une armoire, de vérifier les connexions électriques/gaz, d'effectuer des coupes ou de commencer l'installation.  
 Tous les appareils KitchenAid® sont homologués UL, CUL ou CSA.

## CUISINIÈRE DE STYLE COMMERCIAL

### DIMENSIONS DU PRODUIT

| NO DE MODÈLE                                | CUISINIÈRE BI-COMBUSTIBLES/<br>AU GAZ de 48 po (121,9 cm)<br>KFDC558J/KFGC558J |       |
|---|--|-------|
|   | po   | cm    |
| Unité de mesure                             | po   | cm    |
| Largeur totale (A)                          | 47 <sup>7</sup> / <sub>8</sub>   | 121,6 |
| Hauteur des bords arrondis (B)              | 2 <sup>3</sup> / <sub>16</sub>   | 5,6   |
| Hauteur du panneau de commande (C)          | 5 <sup>5</sup> / <sub>16</sub>   | 13,5  |
| Hauteurs de la porte (D)                    | 20 <sup>11</sup> / <sub>16</sub>   | 52,6  |
| Bas de la porte aux hauts de la poignée (E) | 20   | 50,8  |
| Largeur de la porte secondaire du four (F)  | 17 <sup>3</sup> / <sub>4</sub>   | 45,1  |
| Largeur de la porte principale du four (G)  | 29 <sup>5</sup> / <sub>8</sub>   | 75,2  |
| Hauteur de la plinthe (H)                   | 5 <sup>1</sup> / <sub>2</sub>  | 14    |



VUE AVANT

**IMPORTANT** : Les spécifications dimensionnelles sont fournies uniquement à des fins de planification.

**Ne faire aucune découpe sur la base de cette information.** Se référer au Guide d'installation avant de choisir une armoire, de vérifier les connexions électriques/gaz, d'effectuer des coupes ou de commencer l'installation. Tous les appareils KitchenAid® sont homologués UL, CUL ou CSA.

## CUISINIÈRE DE STYLE COMMERCIAL

### DIMENSIONS DU PRODUIT

| NO DE MODÈLE  | CUISINIÈRE BI-COMBUSTIBLES/<br>AU GAZ de 30 po (76,2 cm)<br>KFDC500J/KFGC500J |       | CUISINIÈRE BI-COMBUSTIBLES/<br>AU GAZ de 36 po (91,4 cm)<br>KFDC506J/KFGC506J |       |
|---|---|-------|---|-------|
|   | po  | cm    | po  | cm    |
| Profondeur avec tableau de commande qui dépasse (G) | 27 <sup>3</sup> / <sub>4</sub>  | 70,5  | 27 <sup>3</sup> / <sub>4</sub>  | 70,5  |
| Profondeur avec poignée (H)                         | 30 <sup>1</sup> / <sub>4</sub>  | 76,9  | 30 <sup>1</sup> / <sub>4</sub>  | 76,9  |
| Profondeur avec porte entièrement ouverte (I)       | 46 <sup>1</sup> / <sub>2</sub>  | 118,1 | 46 <sup>1</sup> / <sub>2</sub>  | 118,1 |



VUE DU DESSUS

**IMPORTANT :** Les spécifications dimensionnelles sont fournies uniquement à des fins de planification.

**Ne faire aucune découpe sur la base de cette information.** Se référer au Guide d'installation avant de choisir une armoire, de vérifier les connexions électriques/gaz, d'effectuer des coupes ou de commencer l'installation. Tous les appareils KitchenAid® sont homologués UL, CUL ou CSA.

## CUISINIÈRE DE STYLE COMMERCIAL

### DIMENSIONS DU PRODUIT

| NO DE MODÈLE  | CUISINIÈRE BI-COMBUSTIBLES/<br>AU GAZ de 48 po (121,9 cm)<br>KFDC558J/KFGC558J |       |
|---|--|-------|
|   | po   | cm    |
| Unité de mesure                                     | po   | cm    |
| Profondeur avec tableau de commande qui dépasse (I) | 27 <sup>3</sup> / <sub>4</sub>   | 70,5  |
| Profondeur avec poignées (J)                        | 30 <sup>1</sup> / <sub>4</sub>   | 76,9  |
| Profondeur avec portes entièrement ouvertes (K)     | 46 <sup>1</sup> / <sub>2</sub>   | 118,1 |



VUE DU DESSUS

**IMPORTANT** : Les spécifications dimensionnelles sont fournies uniquement à des fins de planification.  
**Ne faire aucune découpe sur la base de cette information.** Se référer au Guide d'installation avant de choisir une armoire, de vérifier les connexions électriques/gaz, d'effectuer des coupes ou de commencer l'installation.  
 Tous les appareils KitchenAid® sont homologués UL, CUL ou CSA.

## CUISINIÈRE DE STYLE COMMERCIAL

### DIMENSIONS DU PRODUIT

| NO DE MODÈLE                                   | CUISINIÈRE BI-COMBUSTIBLES/<br>AU GAZ de 30 po (76,2 cm)<br>KFDC500J/KFGC500J |      | CUISINIÈRE BI-COMBUSTIBLES/<br>AU GAZ DE 36 po (91,4 cm)<br>KFDC506J/KFGC506J |      | CUISINIÈRE BI-COMBUSTIBLES/<br>AU GAZ de 48 po (121,9 cm)<br>KFDC558J/KFGC558J |      |
|--|---|------|---|------|--|------|
|  | po  | cm   | po  | cm   | po   | cm   |
| Unité de mesure                                | po  | cm   | po  | cm   | po   | cm   |
| Hauteur du dessus des grilles (A)              | 37 <sup>3</sup> / <sub>16</sub>   | 94,5 | 37 <sup>3</sup> / <sub>16</sub>   | 94,5 | 37 <sup>3</sup> / <sub>16</sub>  | 94,5 |
| Hauteur du dessus de la surface de cuisson (B) | 36  | 91,4 | 36  | 91,4 | 36   | 91,4 |
| Hauteur du dessus de la porte (C)              | 27 <sup>7</sup> / <sub>8</sub>  | 70,8 | 27 <sup>7</sup> / <sub>8</sub>  | 70,8 | 27 <sup>7</sup> / <sub>8</sub>   | 70,8 |
| Hauteur du dessus de la poignée (D)            | 27 <sup>1</sup> / <sub>8</sub>  | 68,9 | 27 <sup>1</sup> / <sub>8</sub>  | 68,9 | 27 <sup>1</sup> / <sub>8</sub>   | 68,9 |
| Hauteur de la plinthe (E)                      | 6 <sup>5</sup> / <sub>8</sub>   | 16,9 | 6 <sup>5</sup> / <sub>8</sub>   | 16,9 | 6 <sup>5</sup> / <sub>8</sub>  | 16,9 |
| <b>AUTRES DIMENSIONS</b>                       |   |      |   |      |  |      |
| Hauteur d'extension maximum des pieds*         | 1 <sup>1</sup> / <sub>2</sub>   | 3,8  | 1 <sup>1</sup> / <sub>2</sub>   | 3,8  | 1 <sup>1</sup> / <sub>2</sub>  | 3,8  |

\* **IMPORTANT** : Les dimensions de hauteur minimum sont indiquées au point le plus bas de l'ajustement de hauteur de la cuisinière. Lorsque les pieds de nivellement sont à leur extension maximum, toutes les hauteurs sont augmentées de 1 <sup>1</sup>/<sub>2</sub> po (3,8 cm).



**VUE LATÉRALE**

**IMPORTANT** : Les spécifications dimensionnelles sont fournies uniquement à des fins de planification.

**Ne faire aucune découpe sur la base de cette information.** Se référer au Guide d'installation avant de choisir une armoire, de vérifier les connexions électriques/gaz, d'effectuer des coupes ou de commencer l'installation. Tous les appareils KitchenAid® sont homologués UL, CUL ou CSA.

## CUISINIÈRE DE STYLE COMMERCIAL

### DIMENSIONS DU PRODUIT

| NO DE MODÈLE  | CUISINIÈRE<br>BI-COMBUSTIBLES/<br>AU GAZ de 30 po (76,2 cm)<br>KFDC500J/KFGC500J |       | CUISINIÈRE<br>BI-COMBUSTIBLES/<br>AU GAZ de 36 po (91,4 cm)<br>KFDC506J/KFGC506J |       | CUISINIÈRE<br>BI-COMBUSTIBLES/<br>AU GAZ de 48 po (121,9 cm)<br>KFDC558J/KFGC558J |       |
|---|--|-------|--|-------|---|-------|
|   | po   | cm    | po   | cm    | po  | cm    |
| Unité de mesure                                     | po   | cm    | po   | cm    | po  | cm    |
| Profondeur avec porte entièrement ouverte (F)       | 46 1/2   | 118,1 | 46 1/2   | 118,1 | 46 1/2  | 118,1 |
| Profondeur avec poignée (G)                         | 30 1/4   | 76,9  | 30 1/4   | 76,9  | 30 1/4  | 76,9  |
| Profondeur avec tableau de commande qui dépasse (H) | 27 3/4   | 70,5  | 27 3/4   | 70,5  | 27 3/4  | 70,5  |
| Profondeur à la plinthe avec la porte (I)           | 27   | 68,6  | 27   | 68,6  | 27  | 68,6  |
| Profondeur avec porte (J)                           | 27   | 68,6  | 27   | 68,6  | 27  | 68,6  |
| <b>AUTRES DIMENSIONS</b>                            |  |       |  |       |   |       |
| Hauteur d'évacuation de gaz (K)*                    | 39   | 99,1  | 39   | 99,1  | 39  | 99,1  |

\*Appareils au gaz seulement : KFGC500J, KFGC506J et KFGC558J.



**VUE LATÉRALE**

**IMPORTANT :** Les spécifications dimensionnelles sont fournies uniquement à des fins de planification.

**Ne faire aucune découpe sur la base de cette information.** Se référer au Guide d'installation avant de choisir une armoire, de vérifier les connexions électriques/gaz, d'effectuer des découpes ou de commencer l'installation. Tous les appareils KitchenAid® sont homologués UL, CUL ou CSA.

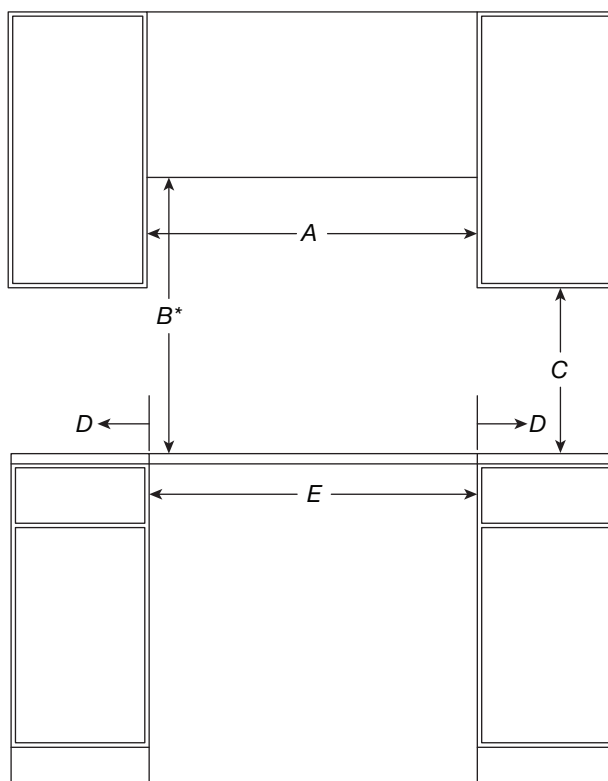


## CUISINIÈRE DE STYLE COMMERCIAL

### DIMENSIONS D'OUVERTURE ET DE DÉGAGEMENT

| NO DE MODÈLE  | CUISINIÈRE<br>BI-COMBUSTIBLES/<br>AU GAZ de 30 po (76,2 cm)<br>KFDC500J/KFGC500J |       | CUISINIÈRE<br>BI-COMBUSTIBLES/<br>AU GAZ de 36 po (91,4 cm)<br>KFDC506J/KFGC506J |       | CUISINIÈRE<br>BI-COMBUSTIBLES/<br>AU GAZ de 48 po (121,9 cm)<br>KFDC558J/KFGC558J |       |
|---|--|-------|--|-------|---|-------|
|   | po   | cm    | po   | cm    | po  | cm    |
| Zone de combustion au-dessus de la largeur de la surface de cuisson (min) (A) | 30   | 76,2  | 36   | 91,4  | 48  | 121,9 |
| Bas de la hauteur de l'armoire au-dessus de la surface de cuisson (min) (B)*  | 42   | 106,7 | 58   | 147,3 | 58  | 147,3 |
| Bas de la hauteur de l'armoire au-dessus du comptoir (min) (C)                | 18   | 45,7  | 18   | 45,7  | 18  | 45,7  |
| Distance au mur fixe ou à une matière combustible (min) (D)                   | 12   | 30,5  | 12   | 30,5  | 12  | 30,5  |
| Largeur de l'ouverture (min) (E)  | 30   | 76,2  | 36   | 91,4  | 48  | 121,9 |

\*Si une hotte ou une caisse de hotte est installée au-dessus de la cuisinière, suivre les instructions de la hotte ou de la caisse de hotte pour connaître les dimensions de dégagement nécessaire au-dessus de la surface de cuisson.



VUE AVANT

**IMPORTANT :** Les spécifications dimensionnelles sont fournies uniquement à des fins de planification.

**Ne faire aucune découpe sur la base de cette information.** Se référer au Guide d'installation avant de choisir une armoire, de vérifier les connexions électriques/gaz, d'effectuer des coupes ou de commencer l'installation. Tous les appareils KitchenAid® sont homologués UL, CUL ou CSA.

## CUISINIÈRE DE STYLE COMMERCIAL

### DIMENSIONS D'OUVERTURE ET DE DÉGAGEMENT

| NO DE MODÈLE                                | CUISINIÈRE<br>BI-COMBUSTIBLES/<br>AU GAZ de 30 po (76,2 cm)<br>KFDC500J/KFGC500J |     | CUISINIÈRE<br>BI-COMBUSTIBLES/<br>AU GAZ de 36 po (91,4 cm)<br>KFDC506J/KFGC506J |     | CUISINIÈRE<br>BI-COMBUSTIBLES/<br>AU GAZ de 48 po (121,9 cm)<br>KFDC558J/KFGC558J |     |
|---|--|-----|--|-----|---|-----|
|   | po   | cm  | po   | cm  | po  | cm  |
| Profondeur de l'armoire du dessus (max) (F) | 13   | 33  | 13   | 33  | 13  | 33  |
| Profondeur du mur aux grilles (G)*          | 1 1/2  | 3,9 | 1 1/2  | 3,9 | 1 1/2   | 3,9 |
| Profondeur du mur au dos de l'appareil**    | 0  | 0   | 0  | 0   | 0   | 0   |

\* Si le mur à l'arrière est fabriqué d'un matériau combustible et qu'aucun dossier n'est installé, un dégagement minimum de 7 1/2 po (19,1 cm) est requis.

\*\* Si le mur à l'arrière est fabriqué d'un matériau combustible et qu'aucun dossier n'est installé, un dégagement minimum de 6 po (15,2 cm) est requis.



**VUE LATÉRALE**

**IMPORTANT :** Les spécifications dimensionnelles sont fournies uniquement à des fins de planification.

**Ne faire aucune découpe sur la base de cette information.** Se référer au Guide d'installation avant de choisir une armoire, de vérifier les connexions électriques/gaz, d'effectuer des coupes ou de commencer l'installation. Tous les appareils KitchenAid® sont homologués UL, CUL ou CSA.

## CUISINIÈRE DE STYLE COMMERCIAL

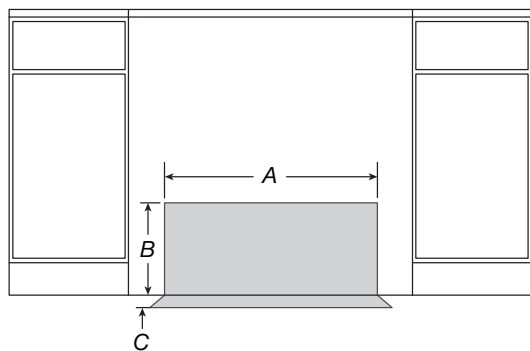
### SPÉCIFICATIONS ÉLECTRIQUES

| NO DE MODÈLE                         | CUISINIÈRE BI-COMBUSTIBLES/<br>AU GAZ de 30 po (76,2 cm)<br>KFDC500J/KFGC500J |      | CUISINIÈRE BI-COMBUSTIBLES/<br>AU GAZ de 36 po (91,4 cm)<br>KFDC506J/KFGC506J |      | CUISINIÈRE BI-COMBUSTIBLES/<br>AU GAZ de 48 po (121,9 cm)<br>KFDC558J/KFGC558J |       |
|--------------------------------------|---|------|---|------|--|-------|
|                                      | po  | cm   | po  | cm   | po   | cm    |
| Unité de mesure                      | po  | cm   | po  | cm   | po   | cm    |
| Largeur de la zone électrique (A)    | 22  | 55,9 | 28  | 71,1 | 40   | 101,6 |
| Hauteur de la zone électrique (B)    | 15  | 38,1 | 15  | 38,1 | 15   | 38,1  |
| Profondeur de la zone électrique (C) | 5   | 12,7 | 5   | 12,7 | 5  | 12,7  |

#### LISTE DE VÉRIFICATION DES SPÉCIFICATIONS ÉLECTRIQUES

- Un circuit de 240 V à 60 Hz mis à la terre avec fusible est requis.
- Pour les cuisinières de 30 po (76,2 cm) et 36 po (91,4 cm), utiliser un circuit de 40 A.
- Pour les cuisinières de 48 po (121,9 cm), utiliser un circuit de 50 A.
- Un circuit dédié est recommandé.

#### ZONE RECOMMANDÉE POUR LA PRISE ÉLECTRIQUE



VUE AVANT

#### LARGEUR AU CONDUIT ÉLECTRIQUE



VUE ARRIÈRE

**REMARQUE :** Pour toute question au sujet de l'alimentation électrique, faire appel à un électricien qualifié agréé.

**IMPORTANT :** Les spécifications dimensionnelles sont fournies uniquement à des fins de planification.

**Ne faire aucune découpe sur la base de cette information.** Se référer au Guide d'installation avant de choisir une armoire, de vérifier les connexions électriques/gaz, d'effectuer des coupes ou de commencer l'installation. Tous les appareils KitchenAid® sont homologués UL, CUL ou CSA.

## CUISINIÈRE DE STYLE COMMERCIAL

### EXIGENCES CONCERNANT L'ALIMENTATION EN GAZ

| NO DE MODÈLE   | CUISINIÈRE<br>BI-COMBUSTIBLES/<br>AU GAZ de 30 po (76,2 cm)<br>KFDC500J/KFGC500J |      | CUISINIÈRE<br>BI-COMBUSTIBLES/<br>AU GAZ de 36 po (91,4 cm)<br>KFDC506J/KFGC506J |      | CUISINIÈRE<br>BI-COMBUSTIBLES/<br>AU GAZ de 48 po (121,9 cm)<br>KFDC558J/KFGC558J |      |
|--|--|------|--|------|---|------|
|  | po   | cm   | po   | cm   | po  | cm   |
| Largeur de l'ouverture du gaz (A)                      | 6  | 15,2 | 14   | 35,6 | 24  | 61   |
| Hauteur de l'ouverture du gaz (B)                      | 3  | 7,6  | 3  | 7,6  | 3   | 7,6  |
| Profondeur de l'ouverture du gaz (C)                   | 5  | 12,7 | 5  | 12,7 | 5   | 12,7 |
| Distance de l'armoire du côté à l'ouverture du gaz (D) | 9  | 22,9 | 9  | 22,9 | 9   | 22,9 |
| Largeur à l'entrée de gaz (E)                          | 12 <sup>3</sup> / <sub>4</sub>   | 32,4 | 12 <sup>3</sup> / <sub>4</sub>   | 32,4 | 12 <sup>3</sup> / <sub>4</sub>  | 32,4 |

#### ZONE RECOMMANDÉE POUR LE GAZ



VUE AVANT

#### LARGEUR À L'ENTRÉE DE GAZ



VUE ARRIÈRE

**REMARQUE :** Pour toute question au sujet de l'alimentation en gaz, communiquer avec un technicien d'entretien qualifié.

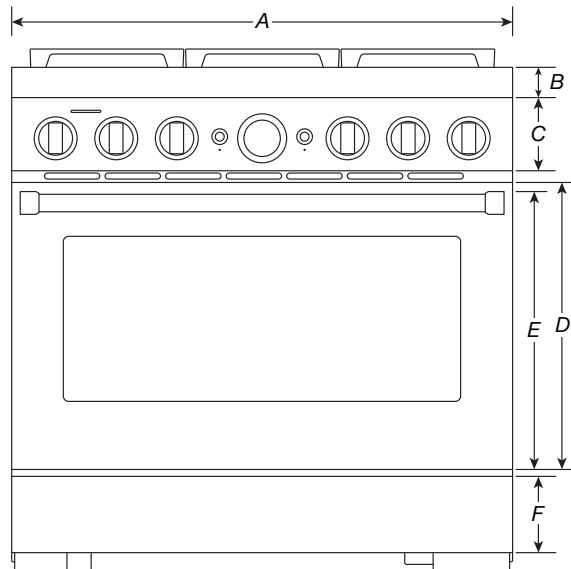
**IMPORTANT :** Les spécifications dimensionnelles sont fournies uniquement à des fins de planification.

**Ne faire aucune découpe sur la base de cette information.** Se référer au Guide d'installation avant de choisir une armoire, de vérifier les connexions électriques/gaz, d'effectuer des coupes ou de commencer l'installation. Tous les appareils KitchenAid® sont homologués UL, CUL ou CSA.

## ESTUFAS COMERCIALES

### MEDIDAS DEL PRODUCTO

| N.º DE MODELO                                   | ESTUFAS PARA DOS COMBUSTIBLES<br>DE 30" (76,2 cm)<br>KFDC500J/KFGC500J |      | ESTUFAS PARA DOS COMBUSTIBLES<br>DE 36" (91,4 cm)<br>KFDC506J/KFGC506J |      |
|---|--|------|--|------|
|   | pulg.  | cm   | pulg.  | cm   |
| Ancho total (A)                                 | 29 <sup>7</sup> / <sub>8</sub>   | 75,9 | 35 <sup>7</sup> / <sub>8</sub>   | 91,1 |
| Altura de copete (B)                            | 2 <sup>3</sup> / <sub>16</sub>   | 5,6  | 2 <sup>3</sup> / <sub>16</sub>   | 5,6  |
| Altura del panel de control (C)                 | 5 <sup>5</sup> / <sub>16</sub>   | 13,5 | 5 <sup>5</sup> / <sub>16</sub>   | 13,5 |
| Altura de la puerta (D)                         | 20 <sup>11</sup> / <sub>16</sub>                                       | 52,6 | 20 <sup>11</sup> / <sub>16</sub>                                       | 52,6 |
| Base de puerta a parte superior de jaladera (E) | 20   | 50,8 | 20   | 50,8 |
| Altura de zócalo (F)                            | 5 <sup>1</sup> / <sub>2</sub>  | 14   | 5 <sup>1</sup> / <sub>2</sub>  | 14   |



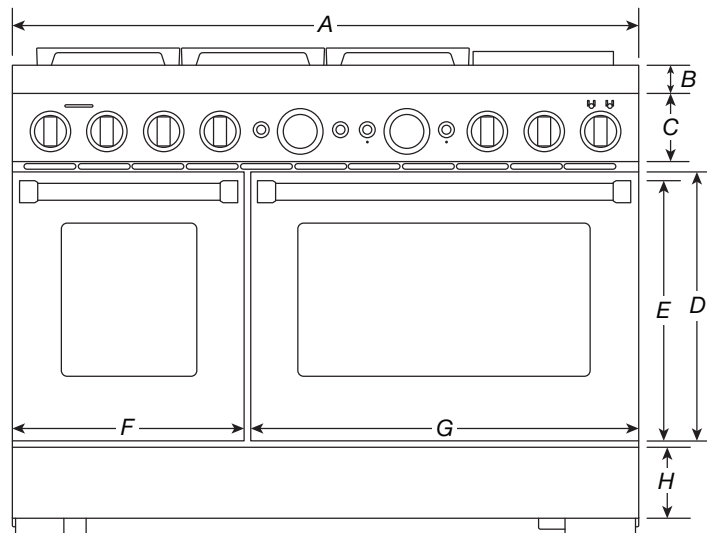
VISTA FRONTAL

**IMPORTANTE:** Las especificaciones de medidas son sólo para fines de planificación.  
**No realice ningún corte basado en esta información.** Consulte la Guía de instalación antes de la selección de gabinetes, verificar las conexiones eléctricas/de gas, realizar cortes o iniciar la instalación.  
 Todos los electrodomésticos KitchenAid® poseen la homologación UL, CUL o CSA pertinente.

## ESTUFAS COMERCIALES

### MEDIDAS DEL PRODUCTO

| N.º DE MODELO   | ESTUFAS PARA DOS COMBUSTIBLES<br>DE 48" (121,9 cm)<br>KFDC558J/KFGC558J |       |
|---|---|-------|
|   | pulg.   | cm    |
| Unidad de medida  |   |       |
| Ancho total (A)   | 47 <sup>7</sup> / <sub>8</sub>  | 121,6 |
| Altura de copete (B)                                    | 2 <sup>3</sup> / <sub>16</sub>  | 5,6   |
| Altura del panel de control (C)                         | 5 <sup>5</sup> / <sub>16</sub>  | 13,5  |
| Altura de las puertas (D)                               | 20 <sup>11</sup> / <sub>16</sub>  | 52,6  |
| Bases de puerta a partes superiores de<br>jaladeras (E) | 20  | 50,8  |
| Ancho de puerta de horno secundario (F)                 | 17 <sup>3</sup> / <sub>4</sub>  | 45,1  |
| Ancho de puerta de horno principal (G)                  | 29 <sup>5</sup> / <sub>8</sub>  | 75,2  |
| Altura de zócalo (H)                                    | 5 <sup>1</sup> / <sub>2</sub>   | 14    |



VISTA FRONTAL

**IMPORTANTE:** Las especificaciones de medidas son sólo para fines de planificación.  
**No realice ningún corte basado en esta información.** Consulte la Guía de instalación antes de la selección de gabinetes, verificar las conexiones eléctricas/de gas, realizar cortes o iniciar la instalación.  
 Todos los electrodomésticos KitchenAid® poseen la homologación UL, CUL o CSA pertinente.

ESTUFAS COMERCIALES

MEDIDAS DEL PRODUCTO

| N.º DE MODELO                                    | ESTUFAS PARA DOS COMBUSTIBLES<br>DE 30" (76,2 cm)<br>KFDC500J/KFGC500J |       | ESTUFAS PARA DOS COMBUSTIBLES<br>DE 36" (91,4 cm)<br>KFDC506J/KFGC506J |       |
|--|--|-------|--|-------|
|  | pulg.  | cm    | pulg.  | cm    |
| Profundidad con saliente de panel de control (G) | 27 <sup>3</sup> / <sub>4</sub>   | 70,5  | 27 <sup>3</sup> / <sub>4</sub>   | 70,5  |
| Profundidad con jaladera (H)                     | 30 <sup>1</sup> / <sub>4</sub>   | 76,9  | 30 <sup>1</sup> / <sub>4</sub>   | 76,9  |
| Profundidad con puerta totalmente abierta (I)    | 46 <sup>1</sup> / <sub>2</sub>   | 118,1 | 46 <sup>1</sup> / <sub>2</sub>   | 118,1 |



VISTA SUPERIOR

**IMPORTANTE:** Las especificaciones de medidas son sólo para fines de planificación.  
**No realice ningún corte basado en esta información.** Consulte la Guía de instalación antes de la selección de gabinetes, verificar las conexiones eléctricas/de gas, realizar cortes o iniciar la instalación.  
 Todos los electrodomésticos KitchenAid® poseen la homologación UL, CUL o CSA pertinente.

## ESTUFAS COMERCIALES

### MEDIDAS DEL PRODUCTO

| N.º DE MODELO                                    | ESTUFAS PARA DOS COMBUSTIBLES<br>DE 48" (121,9 cm)<br>KFDC558J/KFGC558J |       |
|--|---|-------|
|  | pulg.   | cm    |
| Unidad de medida                                 |   |       |
| Profundidad con saliente de panel de control (I) | 27 <sup>3</sup> / <sub>4</sub>  | 70,5  |
| Profundidad con jaladeras (J)                    | 30 <sup>1</sup> / <sub>4</sub>  | 76,9  |
| Profundidad con puertas totalmente abiertas (K)  | 46 <sup>1</sup> / <sub>2</sub>  | 118,1 |



**VISTA SUPERIOR**

**IMPORTANTE:** Las especificaciones de medidas son sólo para fines de planificación.  
**No realice ningún corte basado en esta información.** Consulte la Guía de instalación antes de la selección de gabinetes, verificar las conexiones eléctricas/de gas, realizar cortes o iniciar la instalación.  
 Todos los electrodomésticos KitchenAid® poseen la homologación UL, CUL o CSA pertinente.



## ESTUFAS COMERCIALES

### MEDIDAS DEL PRODUCTO

| N.º DE MODELO   | ESTUFAS PARA DOS COMBUSTIBLES DE 30" (76,2 cm) KFDC500J/KFGC500J |      | ESTUFAS PARA DOS COMBUSTIBLES DE 36" (91,4 cm) KFDC506J/KFGC506J |      | ESTUFAS PARA DOS COMBUSTIBLES DE 48" (121,9 cm) KFDC558J/KFGC558J |      |
|---|--|------|--|------|---|------|
|   | pulg.  | cm   | pulg.  | cm   | pulg.   | cm   |
| Altura de parte superior de rejillas (A)              | 37 <sup>3</sup> / <sub>16</sub>                                  | 94,5 | 37 <sup>3</sup> / <sub>16</sub>                                  | 94,5 | 37 <sup>3</sup> / <sub>16</sub>                                   | 94,5 |
| Altura de parte superior de superficie de cocción (B) | 36   | 91,4 | 36   | 91,4 | 36  | 91,4 |
| Altura de parte superior de puerta (C)                | 27 <sup>7</sup> / <sub>8</sub>                                   | 70,8 | 27 <sup>7</sup> / <sub>8</sub>                                   | 70,8 | 27 <sup>7</sup> / <sub>8</sub>                                    | 70,8 |
| Altura de parte superior de jaladera (D)              | 27 <sup>1</sup> / <sub>8</sub>                                   | 68,9 | 27 <sup>1</sup> / <sub>8</sub>                                   | 68,9 | 27 <sup>1</sup> / <sub>8</sub>                                    | 68,9 |
| Altura de zócalo (E)                                  | 6 <sup>5</sup> / <sub>8</sub>                                    | 16,9 | 6 <sup>5</sup> / <sub>8</sub>                                    | 16,9 | 6 <sup>5</sup> / <sub>8</sub>                                     | 16,9 |
| <b>OTRAS MEDIDAS</b>                                  |  |      |  |      |   |      |
| Altura de extensión máxima de pata*                   | 1 <sup>1</sup> / <sub>2</sub>                                    | 3,8  | 1 <sup>1</sup> / <sub>2</sub>                                    | 3,8  | 1 <sup>1</sup> / <sub>2</sub>                                     | 3,8  |

\* **IMPORTANTE:** Las medidas de altura mínima son el valor más bajo del rango de ajuste de altura. Cuando las patas niveladoras se extienden por completo, se debe sumar una altura adicional de 1<sup>1</sup>/<sub>2</sub>" (3,8 cm) a las alturas indicadas.



**VISTA LATERAL**

**IMPORTANTE:** Las especificaciones de medidas son sólo para fines de planificación. **No realice ningún corte basado en esta información.** Consulte la Guía de instalación antes de la selección de gabinetes, verificar las conexiones eléctricas/de gas, realizar cortes o iniciar la instalación. Todos los electrodomésticos KitchenAid® poseen la homologación UL, CUL o CSA pertinente.

## ESTUFAS COMERCIALES

### MEDIDAS DEL PRODUCTO

| N.º DE MODELO                                    | ESTUFAS PARA DOS COMBUSTIBLES DE 30" (76,2 cm) KFDC500J/KFGC500J |       | ESTUFAS PARA DOS COMBUSTIBLES DE 36" (91,4 cm) KFDC506J/KFGC506J |       | ESTUFAS PARA DOS COMBUSTIBLES DE 48" (121,9 cm) KFDC558J/KFGC558J |       |
|--|--|-------|--|-------|---|-------|
|  | pulg.  | cm    | pulg.  | cm    | pulg.   | cm    |
| Profundidad con puerta totalmente abierta (F)    | 46½  | 118,1 | 46½  | 118,1 | 46½   | 118,1 |
| Profundidad con jaladera (G)                     | 30¼  | 76,9  | 30¼  | 76,9  | 30¼   | 76,9  |
| Profundidad con saliente de panel de control (H) | 27¾  | 70,5  | 27¾  | 70,5  | 27¾   | 70,5  |
| Profundidad desde zócalo incluyendo puerta (I)   | 27   | 68,6  | 27   | 68,6  | 27  | 68,6  |
| Profundidad incluyendo puerta (J)                | 27   | 68,6  | 27   | 68,6  | 27  | 68,6  |
| <b>OTRAS MEDIDAS</b>                             |  |       |  |       |   |       |
| Altura de ducto de gas (K)*                      | 39   | 99,1  | 39   | 99,1  | 39  | 99,1  |

\*Solo unidades con gas: KFGC500J, KFGC506J y KFGC558J.



**VISTA LATERAL**

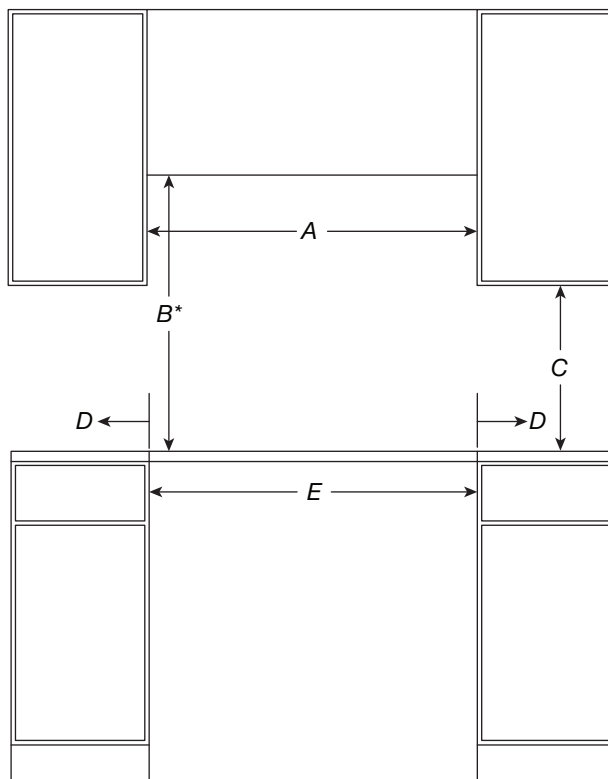
**IMPORTANTE:** Las especificaciones de medidas son sólo para fines de planificación. **No realice ningún corte basado en esta información.** Consulte la Guía de instalación antes de la selección de gabinetes, verificar las conexiones eléctricas/de gas, realizar cortes o iniciar la instalación. Todos los electrodomésticos KitchenAid® poseen la homologación UL, CUL o CSA pertinente.

## ESTUFAS COMERCIALES

### MEDIDAS DE ABERTURA/ESPACIO

| N.º DE MODELO   | ESTUFAS PARA DOS COMBUSTIBLES DE 30" (76,2 cm) KFDC500J/KFGC500J |       | ESTUFAS PARA DOS COMBUSTIBLES DE 36" (91,4 cm) KFDC506J/KFGC506J |       | ESTUFAS PARA DOS COMBUSTIBLES DE 48" (121,9 cm) KFDC558J/KFGC558J |       |
|---|--|-------|--|-------|---|-------|
|   | pulg.  | cm    | pulg.  | cm    | pulg.   | cm    |
| Ancho de área de combustión sobre la superficie de cocción (mín.) (A)     | 30   | 76,2  | 36   | 91,4  | 48  | 121,9 |
| Altura de la base del gabinete sobre la superficie de cocción (mín.) (B)* | 42   | 106,7 | 58   | 147,3 | 58  | 147,3 |
| Altura de la base del gabinete sobre el mostrador (mín.) (C)              | 18   | 45,7  | 18   | 45,7  | 18  | 45,7  |
| Distancia a pared fija o material combustible (mín.) (D)                  | 12   | 30,5  | 12   | 30,5  | 12  | 30,5  |
| Ancho de abertura (mín.) (E)  | 30   | 76,2  | 36   | 91,4  | 48  | 121,9 |

\* En caso de instalar una campana o revestimiento de campana sobre la estufa, siga las indicaciones de la campana o revestimiento de campana para las medidas del espacio sobre la superficie de cocción.



VISTA FRONTAL

**IMPORTANTE:** Las especificaciones de medidas son sólo para fines de planificación.

**No realice ningún corte basado en esta información.** Consulte la Guía de instalación antes de la selección de gabinetes, verificar las conexiones eléctricas/de gas, realizar cortes o iniciar la instalación. Todos los electrodomésticos KitchenAid® poseen la homologación UL, CUL o CSA pertinente.

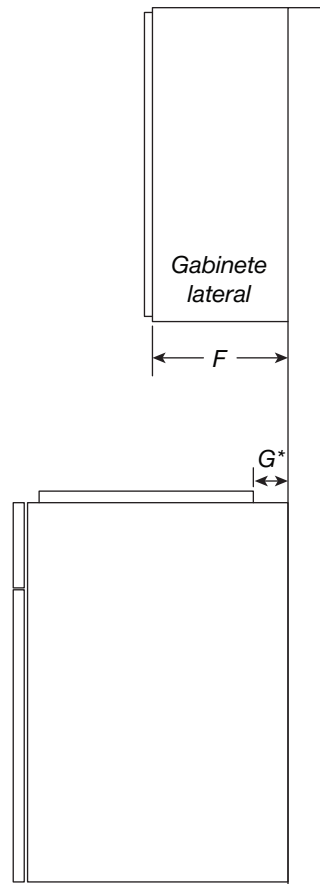
## ESTUFAS COMERCIALES

### MEDIDAS DE ABERTURA/ESPACIO

| N.º DE MODELO  | ESTUFAS PARA DOS COMBUSTIBLES DE 30" (76,2 cm) KFDC500J/KFGC500J |     | ESTUFAS PARA DOS COMBUSTIBLES DE 36" (91,4 cm) KFDC506J/KFGC506J |     | ESTUFAS PARA DOS COMBUSTIBLES DE 48" (121,9 cm) KFDC558J/KFGC558J |     |
|--|--|-----|--|-----|---|-----|
|  | pulg.  | cm  | pulg.  | cm  | pulg.   | cm  |
| Profundidad de gabinete superior (máx.) (F)              | 13   | 33  | 13   | 33  | 13  | 33  |
| Profundidad desde pared a rejillas (G)*                  | 1½   | 3,9 | 1½   | 3,9 | 1½  | 3,9 |
| Profundidad desde pared a parte posterior de la unidad** | 0  | 0   | 0  | 0   | 0   | 0   |

\* Si la pared posterior está fabricada con material combustible y no se ha instalado una protección contra salpicaduras, se requiere un espacio mínimo de 7½" (19,1 cm).

\*\* Si la pared posterior está fabricada con material combustible y no se ha instalado una protección contra salpicaduras, se requiere un espacio mínimo de 6" (15,2 cm).



**VISTA LATERAL**

**IMPORTANTE:** Las especificaciones de medidas son sólo para fines de planificación.

**No realice ningún corte basado en esta información.** Consulte la Guía de instalación antes de la selección de gabinetes, verificar las conexiones eléctricas/de gas, realizar cortes o iniciar la instalación.

Todos los electrodomésticos KitchenAid® poseen la homologación UL, CUL o CSA pertinente.

ESTUFAS COMERCIALES

REQUISITOS ELÉCTRICOS

| N.º DE MODELO                     | ESTUFAS PARA DOS COMBUSTIBLES DE 30" (76,2 cm) KFDC500J/KFGC500J |      | ESTUFAS PARA DOS COMBUSTIBLES DE 36" (91,4 cm) KFDC506J/KFGC506J |      | ESTUFAS PARA DOS COMBUSTIBLES DE 48" (121,9 cm) KFDC558J/KFGC558J |       |
|-----------------------------------|--|------|--|------|---|-------|
|                                   | pulg.  | cm   | pulg.  | cm   | pulg.   | cm    |
| Unidad de medida                  | pulg.  | cm   | pulg.  | cm   | pulg.   | cm    |
| Ancho de zona eléctrica (A)       | 22   | 55,9 | 28   | 71,1 | 40  | 101,6 |
| Altura de zona eléctrica (B)      | 15   | 38,1 | 15   | 38,1 | 15  | 38,1  |
| Profundidad de zona eléctrica (C) | 5  | 12,7 | 5  | 12,7 | 5   | 12,7  |

LISTA DE VERIFICACIÓN DE REQUISITOS ELÉCTRICOS

- Se requiere una conexión a tierra de 240 V y 60 Hz con fusible.
- Para estufas de 30" (76,2 cm) y 36" (91,4 cm), utilice una conexión de 40 A.
- Para estufas de 48" (121,9 cm), utilice una conexión de 50 A.
- Se recomienda una conexión dedicada.

ZONA ELÉCTRICA RECOMENDADA



VISTA FRONTAL

ANCHO A CONDUCTO DE CABLEADO ELÉCTRICO



VISTA POSTERIOR

**NOTA:** Si tiene dudas sobre su suministro eléctrico, contacte con un electricista cualificado y autorizado.

**IMPORTANTE:** Las especificaciones de medidas son sólo para fines de planificación.

**No realice ningún corte basado en esta información.** Consulte la Guía de instalación antes de la selección de gabinetes, verificar las conexiones eléctricas/de gas, realizar cortes o iniciar la instalación.

Todos los electrodomésticos KitchenAid® poseen la homologación UL, CUL o CSA pertinente.

## ESTUFAS COMERCIALES

### REQUISITOS DE GAS

| N.º DE MODELO  | ESTUFAS PARA DOS COMBUSTIBLES DE 30" (76,2 cm)<br>KFDC500J/KFGC500J |      | ESTUFAS PARA DOS COMBUSTIBLES DE 36" (91,4 cm)<br>KFDC506J/KFGC506J |      | ESTUFAS PARA DOS COMBUSTIBLES DE 48" (121,9 cm)<br>KFDC558J/KFGC558J |      |
|--|---|------|---|------|--|------|
|  | pulg.   | cm   | pulg.   | cm   | pulg.  | cm   |
| Unidad de medida                                       | pulg.   | cm   | pulg.   | cm   | pulg.  | cm   |
| Ancho de abertura de gas (A)                           | 6   | 15,2 | 14  | 35,6 | 24   | 61   |
| Altura de abertura de gas (B)                          | 3   | 7,6  | 3   | 7,6  | 3  | 7,6  |
| Profundidad de abertura de gas (C)                     | 5   | 12,7 | 5   | 12,7 | 5  | 12,7 |
| Distancia desde gabinete lateral a abertura de gas (D) | 9   | 22,9 | 9   | 22,9 | 9  | 22,9 |
| Ancho a entrada de gas (E)                             | 12 <sup>3</sup> / <sub>4</sub>                                      | 32,4 | 12 <sup>3</sup> / <sub>4</sub>                                      | 32,4 | 12 <sup>3</sup> / <sub>4</sub>                                       | 32,4 |

#### ZONA DE GAS RECOMENDADA



VISTA FRONTAL

#### ANCHO A ENTRADA DE GAS



VISTA POSTERIOR

**NOTA:** Si tiene dudas sobre su suministro de gas, contacte con un técnico cualificado y autorizado.

**IMPORTANTE:** Las especificaciones de medidas son sólo para fines de planificación.

**No realice ningún corte basado en esta información.** Consulte la Guía de instalación antes de la selección de gabinetes, verificar las conexiones eléctricas/de gas, realizar cortes o iniciar la instalación.

Todos los electrodomésticos KitchenAid® poseen la homologación UL, CUL o CSA pertinente.