

KHBC212

KHBC210

KHBC208

INSTRUCTIONS

INSTRUCTIONS

INSTRUCCIONES



**KitchenAid**<sup>®</sup>

## WELCOME TO THE WORLD OF KITCHENAID COMMERCIAL.

We're committed to helping you create a lifetime of delicious dishes for your customers. To help ensure the longevity and performance of your appliance, keep this guide handy. It will empower you with the best way to use and care for your product. Your satisfaction is our #1 goal. Remember to register your product online at [www.kitchenaidcommercial.com](http://www.kitchenaidcommercial.com) or by mail using the enclosed Product Registration Card.



## TABLE OF CONTENTS

<b>COMMERCIAL IMMERSION BLENDER SAFETY</b>	
Important Safeguards.....	4
Electrical requirements .....	5
<b>PARTS AND FEATURES GUIDE</b>	
Commercial Immersion Blender parts .....	6
Optional accessories.....	7
Commercial Immersion Blender features .....	7
<b>OPERATING THE COMMERCIAL IMMERSION BLENDER</b>	
Before first use .....	8
Intended use .....	8
Using the twist lock blending arm .....	9
<b>TIPS FOR GREAT RESULTS</b> .....	10
<b>CARE AND CLEANING</b> .....	11
<b>TROUBLESHOOTING</b> .....	11
<b>TECHNICAL SPECIFICATIONS</b>	
Dimensions .....	12
Electrical data .....	12
<b>WARRANTY AND SERVICE</b> .....	13

## PROOF OF PURCHASE & PRODUCT REGISTRATION

Always keep a copy of the sales receipt showing the date of purchase of your Commercial Immersion Blender. Proof of purchase will assure you of in-warranty service. Before you use your Commercial Immersion Blender, please fill out and mail your product registration card packed with the unit. This card will enable us to contact you in the unlikely event of a product safety notification and assist us in complying with the provisions of the Consumer Product Safety Act. This card does not verify your warranty. Please complete the following for your personal records:

**Model Number** \_\_\_\_\_

**Serial Number** \_\_\_\_\_

**Date Purchased** \_\_\_\_\_

**Store Name** \_\_\_\_\_

# COMMERCIAL IMMERSION BLENDER SAFETY

## Your safety and the safety of others are very important.

We have provided many important safety messages in this manual and on your appliance. Always read and obey all safety messages.



This is the safety alert symbol.

This symbol alerts you to potential hazards that can kill or hurt you and others.

All safety messages will follow the safety alert symbol and either the word "DANGER" or "WARNING." These words mean:

**⚠ DANGER**

**You can be killed or seriously injured if you don't immediately follow instructions.**

**⚠ WARNING**

**You can be killed or seriously injured if you don't follow instructions.**

All safety messages will tell you what the potential hazard is, tell you how to reduce the chance of injury, and tell you what can happen if the instructions are not followed.

State of California Proposition 65 Warnings:

**WARNING:** This product contains one or more chemicals known to the State of California to cause cancer.

**WARNING:** This product contains one or more chemicals known to the State of California to cause birth defects or other reproductive harm.

## IMPORTANT SAFEGUARDS

**When using electrical appliances, basic safety precautions should always be followed, including the following:**

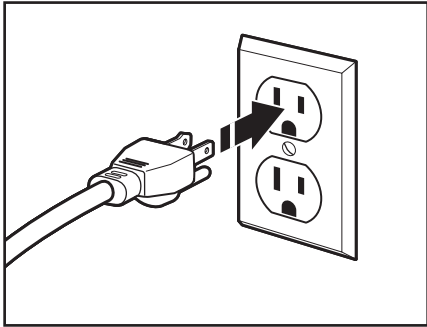
1. Read all instructions.
2. To protect against risk of electrical shock do not put motor body, cord, or electrical plug of this Commercial Immersion Blender in water or other liquid.
3. This appliance should not be used by children and care should be taken when used near children.
4. Unplug from outlet when not in use, before putting on or taking off parts, and before cleaning.
5. Avoid contact with moving parts.
6. Do not operate any appliance with a damaged cord or plug or after the appliance malfunctions, or is dropped or damaged in any manner. Return appliance to the nearest Authorized Service Facility for examination, repair or electrical or mechanical adjustment.
7. The use of attachments not recommended or sold by the manufacturer may cause fire, electric shock, or injury.
8. Do not use outdoors.
9. Do not let cord hang over edge of table or counter.
10. Do not let cord contact hot surfaces, including the stove.

# COMMERCIAL IMMERSION BLENDER SAFETY

11. When mixing liquids, especially hot liquids, use a tall container or make small quantities at a time to reduce spillage and possibility of injury.
12. Keep hands and utensils out of the container while blending to prevent the possibility of severe injury to persons or damage to the unit. A scraper may be used, but must be used only when the unit is not running.
13. Blades are sharp. Handle carefully.

## SAVE THESE INSTRUCTIONS

### Electrical Requirements



Volts: 120 V.A.C.  
Hertz: 60 Hz  
Intensity (Amp.): 3A Max.

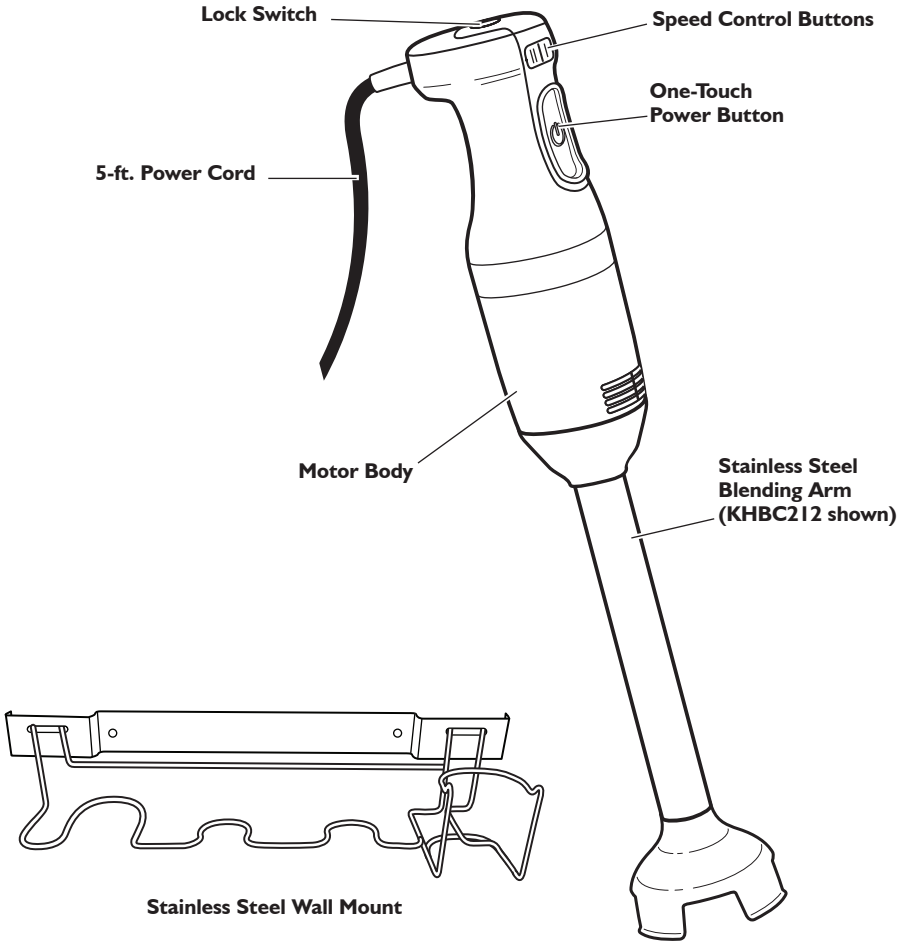
To reduce the risk of electrical shock, this plug will fit in an outlet only one way. If it does not fit, contact a qualified electrician. Do not modify the plug in any way.

If a long extension cord is used:

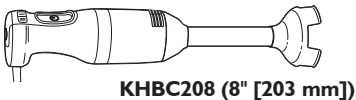
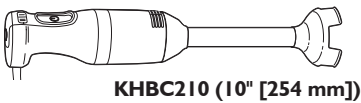
- The marked electrical rating of the extension cord should be at least as great as the electrical rating of the appliance.
- The cord should be arranged so it will not drape over the countertop or tabletop where it can be pulled or tripped over unintentionally.

# PARTS AND FEATURES GUIDE

## Commercial Immersion Blender parts

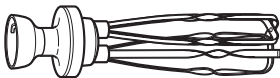

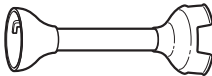
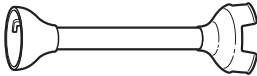
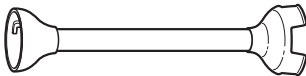


### MODEL COMPARISON



# PARTS AND FEATURES GUIDE

## Optional accessories

Accessory	Model #	Style	Length
Whisk Attachment	KHBC10WER		10" (254 mm)
Multi-Purpose S-Blade 	KHBC08MER		8" (203 mm)
	KHBC10MER		10" (254 mm)
	KHBC12MER		12" (305 mm)

## Commercial Immersion Blender features

### Speed Control

Provides easy adjustment of speed.

### One-Touch Power Button

Located on the front of the motor body and activated by pressing and holding during blending. To stop blending, simply release the power button.

### Lock Switch

Press to unlock in order for power button to function; press to lock when Commercial Immersion Blender is not in use.

### Motor Body

Designed for a comfortable, non-slip grip.

### Powerful DC Motor (not shown)

Provides powerful blending action and is designed for quiet, long-life operation.

### Twist Lock Stainless Steel Blending Arm

Simply seats onto the motor body and is rotated to lock together. The sharp stainless steel blade is covered to help prevent splashing while blending.

### 5-ft. Power Cord

Long enough to take the Commercial Immersion Blender to the cooktop or work area and rounded with no grooves for easy clean up.

### Ordering Replacement Parts

To order replacement parts for your Commercial Immersion Blender, call toll-free **1-855-845-9684**, 8 a.m. to 8 p.m., Monday through Friday, Eastern Time or visit **kitchenaidcommercial.com**.

# OPERATING THE COMMERCIAL IMMERSION BLENDER

## Before first use

Before using the KitchenAid® Commercial Immersion Blender for the first time, wipe the motor body with a clean, damp cloth to remove any dirt or dust.

**IMPORTANT:** Do not immerse the motor body in water.

Wash all the attachments and accessories by hand or in the dishwasher. Mild dish soap may be used, but do not use abrasive cleansers. Dry thoroughly with a soft cloth.

**IMPORTANT:** Always be sure to unplug the power cord from the wall socket before attaching or removing attachments.

## Intended use

This KitchenAid® Commercial Immersion Blender is intended for use in restaurants, professional kitchens, and other foodservice locations. The Commercial Immersion Blender can be used directly in a pot or bowl to mix a variety of ingredients.

### Multi-purpose S-Blade Uses

- Soups
- Vegetable purées
- Mousses
- Compotes
- Sauces
- Bisques
- Cooked meats
- Beef gravy
- Liquify fruits
- Minces

### Whisk Uses

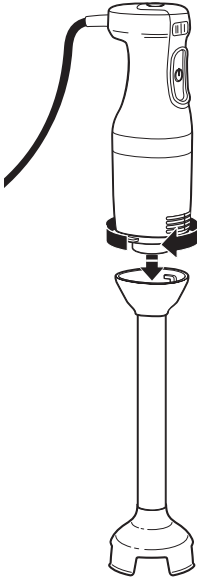
- Pancake batter
- Mayonnaise
- Egg whites
- Pudding
- Whipped cream





# OPERATING THE COMMERCIAL IMMERSION BLENDER

## Using the twist lock blending arm

1. Insert Blending Arm attachment into motor body with the alignment mark facing the back of the unit, and twist to lock. The alignment mark on the attachment should line up with the mark on the body.



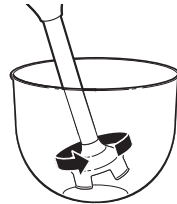
2. Plug the electrical cord into an electrical wall socket.
3. Set Commercial Immersion Blender to Low  or High  speed.
4. Insert the Commercial Immersion Blender into the mixture.

**NOTE:** The Commercial Immersion Blender should only be immersed in liquids the length of the attachment. Do not submerge beyond the seam of the blending attachment. Do not immerse the motor body into liquids or other mixtures. To avoid damaging blades or mixing container, do not touch the blade to the bottom of the mixing container or use in a mixing container that has protruding parts that can go under the metal guard.

5. Press the Lock Switch to unlock Commercial Immersion Blender.
6. Press the Power button to activate the Commercial Immersion Blender.
7. When blending is complete, release the power button before removing Commercial Immersion Blender from the mixture.
8. Unplug immediately after use, before removing or changing attachments.

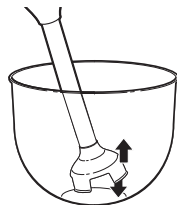
For best results, insert Commercial Immersion Blender with Blending Arm attached into the pot or bowl containing ingredients at an angle. Use your free hand to hold the pot or bowl or hold the Commercial Immersion Blender near the base of the motor unit for better stability. Remember to stop the Commercial Immersion Blender before removing it from the pot or bowl to avoid splashing.

Blending



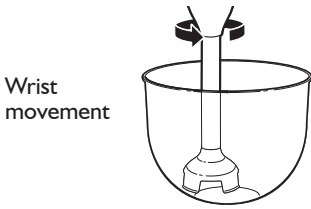
Rest the Commercial Immersion Blender on the bottom of the pot or bowl momentarily then hold at an angle and slowly draw it upwards against the side of the pot or bowl. As the Commercial Immersion Blender is drawn up you will notice the ingredients from the bottom of the pot or bowl being drawn up. When the ingredients are no longer being drawn up from the bottom, return the Commercial Immersion Blender to the bottom of the pot or bowl and repeat the process until the ingredients are at the desired consistency.

Drawing up



# OPERATING THE COMMERCIAL IMMERSION BLENDER

Using a light circular motion from your wrist, draw the Commercial Immersion Blender up slightly and let it fall again into the ingredients. Allow your wrist motion and the weight of the Commercial Immersion Blender to do the work.



**NOTE:** If a piece of food becomes lodged in the guard surrounding the blade, follow the instructions noted below:

1. Release the power button and unplug the Commercial Immersion Blender from the electrical outlet.
2. Once power has been disconnected, use a spatula to remove the food lodged in the plastic guard. Do not use your fingers to remove lodged food.
3. After lodged food has been removed, plug the Commercial Immersion Blender back into the electrical outlet and resume operation.

## TIPS FOR GREAT RESULTS

- Cut solid foods into small pieces for easier blending or chopping.
- The Commercial Immersion Blender is equipped with thermal protection from high operating temperatures. Should the Commercial Immersion Blender suddenly stop during use, unplug it and allow 10 minutes to automatically reset.
- To avoid splashing, insert the Commercial Immersion Blender into the mixture before pressing the power button, and release the power button before pulling the Commercial Immersion Blender out of the mixture.
- When blending in a saucepan on a cooktop, remove the pan from the heating element to protect the Commercial Immersion Blender from overheating.
- For best blending, hold the Commercial Immersion Blender at an angle and gently move up and down within the container. Do not pound down on the mixture with the Commercial Immersion Blender.
- To prevent overflow, allow room in the container for the mixture to rise when using the Commercial Immersion Blender.
- Be sure the extra long cord of the Commercial Immersion Blender is not extending over a hot heating element.
- Do not let the Commercial Immersion Blender sit in a hot pan on the cooktop while not in use.
- Remove hard items, such as fruit pits or bones, from the mixture before blending or chopping to help prevent damage to the blades.

# CARE AND CLEANING

Always clean the appliance and its attachments after use and before storing.

1. Unplug Commercial Immersion Blender before cleaning.
2. Remove the attachments by twisting (see "Operating Your Commercial Immersion Blender" section).
3. Wipe the motor body and attachments with a damp cloth. Mild dish soap may be used, but do not use abrasive cleansers.
4. Wipe power cord with warm, sudsy cloth; then wipe clean with damp cloth. Dry with soft cloth.

## Commercial Immersion Blender Attachments

Wash blending attachments in hot, soapy water, or in the dishwasher. Dry thoroughly.

**NOTE:** Do not immerse the motor body in washing solution, rinse water or sanitizing solution.

# TROUBLESHOOTING

If the Commercial Immersion Blender has stopped working, check for the following:

## Unit has been unplugged

- Release the power button
- Check the power supply
- Restart the Commercial Immersion Blender as instructed in "Operating Your Commercial Immersion Blender"

## Machine has overheated

- Release the power button
- Unplug the unit
- Wait a few minutes for the motor to cool down and the thermal safety mechanism to reset
- Restart the Commercial Immersion Blender as instructed in "Operating Your Commercial Immersion Blender"

## Unknown

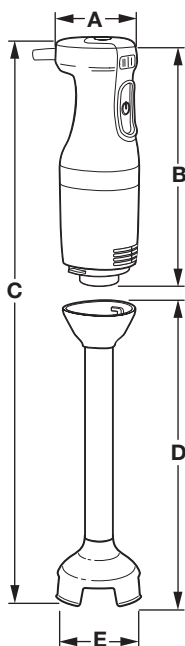
- Release the power button
- Unplug the unit
- Check the following:
  - electrical plug for damage
  - blades for freedom of movement (food may be lodged between blades and plastic guard)
  - power cord for cuts or other damage
  - drive shaft for freedom of rotation (check by removing the attachment arm and rotating the shaft manually)

# TECHNICAL SPECIFICATIONS

## Dimensions

### Dimensions

	<b>KHBC212</b>	<b>KHBC210</b>	<b>KHBC208</b>
<b>A</b>	3.5"/87.8 mm	3.5"/87.8 mm	3.2"/87.8 mm
<b>B</b>	10.7"/270.4 mm	10.7"/270.4 mm	10.7"/270.4 mm
<b>C</b>	22.3"/565.2 mm	20.3"/514.4 mm	18.3"/463.6 mm
<b>D</b>	12.0"/305 mm	10.0"/254 mm	8.0"/203 mm
<b>E</b>	3.2"/81.6 mm	3.2"/81.6 mm	3.2"/81.6 mm



### Weight

<b>KHBC212</b>	<b>KHBC210</b>	<b>KHBC208</b>
3.3 lbs/1.5 kg	3.3 lbs/1.5 kg	3.3 lbs/1.45 kg


## Electrical Data

KHBC212, KHBC210, KHBC208

<b>Motor</b>	<b>Intensity (Amp.)</b>	<b>Mixer Speed I (rpm)</b>	<b>Mixer Speed II (rpm)</b>
<b>120 V/60Hz</b>	3A Max.	11,000	18,000

## KitchenAid® Commercial Immersion Blender Warranty for the 50 United States, the District of Columbia, and Canada

This warranty extends to the purchaser and any succeeding owner for Commercial Immersion Blenders operated in the 50 United States, the District of Columbia, and Canada.

<b>Length of Warranty:</b>	Two Year Full Warranty from date of purchase.
<b>KitchenAid Will Pay for Your Choice of:</b> 	Hassle-Free Replacement of your Commercial Immersion Blender. See the next page for details on how to arrange for service, or call the Customer eXperience Center toll-free at <b>1-855-845-9684</b> . OR The replacement parts and repair labor costs to correct defects in materials and workmanship. Service must be provided by an Authorized KitchenAid Service Center. See the KitchenAid® Commercial Immersion Blender Warranty for Puerto Rico for details on how to arrange for service.
<b>KitchenAid Will Not Pay for:</b>	<ul style="list-style-type: none"> <li><b>A.</b> Damage resulting from accident, alteration, misuse or abuse.</li> <li><b>B.</b> Replacement parts or repair labor costs for Immersion Blender operated outside the 50 United States and District of Columbia.</li> </ul>
<p><b>DISCLAIMER OF IMPLIED WARRANTIES; LIMITATION OF REMEDIES</b>                  IMPLIED WARRANTIES, INCLUDING TO THE EXTENT APPLICABLE WARRANTIES OF MERCHANTABILITY OR FITNESS FOR A PARTICULAR PURPOSE, ARE EXCLUDED TO THE EXTENT LEGALLY PERMISSIBLE. ANY IMPLIED WARRANTIES THAT MAY BE IMPOSED BY LAW ARE LIMITED TO ONE YEAR, OR THE SHORTEST PERIOD ALLOWED BY LAW. SOME STATES AND PROVINCES DO NOT ALLOW LIMITATIONS OR EXCLUSIONS ON HOW LONG AN IMPLIED WARRANTY OF MERCHANTABILITY OR FITNESS LASTS, SO THE ABOVE LIMITATIONS OR EXCLUSIONS MAY NOT APPLY TO YOU.</p> <p>IF THIS PRODUCT FAILS TO WORK AS WARRANTED, CUSTOMER'S SOLE AND EXCLUSIVE REMEDY SHALL BE REPAIR OR REPLACEMENT ACCORDING TO THE TERMS OF THIS LIMITED WARRANTY. KITCHENAID AND KITCHENAID CANADA DO NOT ASSUME ANY RESPONSIBILITY FOR INCIDENTAL OR CONSEQUENTIAL DAMAGES. This warranty gives you specific legal rights and you may also have other rights which vary from state to state or province to province.</p>	

## **KitchenAid® Commercial Immersion Blender Warranty for Puerto Rico**

---

A limited two year warranty extends to the purchaser and any succeeding owner for Commercial Immersion Blenders operated in Puerto Rico. During the warranty period, all service must be handled by an Authorized KitchenAid Service Center.

Please bring the Commercial Immersion Blender, or ship it prepaid and insured, to the nearest Authorized Service Center. Call toll-free **1-855-845-9684** to learn the location of a Service Center near you. Your repaired Commercial Immersion Blender will be returned to you prepaid and insured.

## **Hassle-Free Replacement Warranty – 50 United States and District of Columbia**

---

We're so confident the quality of our products meets the exacting standards of KitchenAid that, if your Commercial Immersion Blender should fail within the first two years of ownership, KitchenAid will arrange to deliver an identical or comparable replacement to your door free of charge and arrange to have your original Commercial Immersion Blender returned to us. Your replacement unit will also be covered by our two year limited warranty. Please follow these instructions to receive this quality service.

If your Commercial Immersion Blender should fail within the first two years of ownership, simply call our toll-free Customer eXperience Center at **1-855-845-9684** Monday through Friday, 8 a.m. to 8 p.m. (Eastern Time). Give the consultant your complete shipping address. (No P.O. Box numbers, please.)

When you receive your replacement Commercial Immersion Blender, use the carton and packing materials to pack up your original Commercial Immersion Blender.

## Hassle-Free Replacement Warranty – Canada

---

We're so confident the quality of our products meets the exacting standards of the KitchenAid brand that, if your Commercial Immersion Blender should fail within the first two years of ownership, KitchenAid Canada will replace your Commercial Immersion Blender with an identical or comparable replacement. Your replacement unit will also be covered by our two year limited warranty. Please follow these instructions to receive this quality service.

If your Commercial Immersion Blender should fail within the first two years of ownership, take the Commercial Immersion Blender or ship collect to an

Authorized KitchenAid Service Centre. In the carton include your name and complete shipping address along with a copy of the proof of purchase (register receipt, credit card slip, etc.). Your replacement Commercial Immersion Blender will be returned prepaid and insured. If you are unable to obtain satisfactory service in this manner call our toll-free Customer eXperience Centre at **1-800-807-6777**.

Or write to us at:  
Customer eXperience Centre  
KitchenAid Canada  
200 - 6750 Century Ave.  
Mississauga, ON L5N 0B7

## Arranging for Service after the Warranty Expires, or Ordering Accessories and Replacement Parts

---

### In the United States and Puerto Rico:

For service information, or to order accessories or replacement parts, call toll-free at **1-855-845-9684** or write to:

Customer eXperience Center,  
KitchenAid Small Appliances,  
P.O. Box 218, St. Joseph, MI 49085-0218

### Outside the United States and Puerto Rico:

Consult your local KitchenAid dealer or the store where you purchased the Commercial Immersion Blender for information on how to obtain service.

### For service information in Canada:

Call toll-free **1-800-807-6777**.

Or write to:  
Customer eXperience Centre  
KitchenAid Canada  
200 - 6750 Century Ave.  
Mississauga, ON L5N 0B7

## BIENVENUE DANS LE MONDE DE KITCHENAID COMMERCIAL.

Nous nous engageons à vous aider à créer de délicieux plats pour vos clients, et ce durant tout le cycle de vie de l'appareil. Pour contribuer à la durabilité et à une bonne performance de votre appareil, conservez ce guide à portée de main. Il vous permettra d'utiliser et d'entretenir de votre produit de la meilleure manière qui soit. Votre satisfaction est notre objectif numéro 1. N'oubliez pas d'enregistrer votre produit en ligne sur le site internet [www.kitchenaidcommercial.ca](http://www.kitchenaidcommercial.ca).





## TABLE DES MATIÈRES

<b>SÉCURITÉ DU MÉLANGEUR À IMMERSION COMMERCIAL</b>	
Consignes de sécurité importantes .....	18
Spécifications électriques.....	19
<b>GUIDE DES PIÈCES ET CARACTÉRISTIQUES</b>	
Pièces du mélangeur à immersion commercial .....	20
Accessoires en option.....	21
Caractéristiques du mélangeur à immersion commercial .....	21
<b>UTILISATION DU MÉLANGEUR À IMMERSION COMMERCIAL</b>	
Avant la première utilisation.....	22
Usage prévu.....	22
Utilisation du module de mixage à verrouillage par rotation.....	23
<b>CONSEILS À SUIVRE POUR OBTENIR DE BONS RÉSULTATS</b> .....	24
<b>ENTRETIEN ET NETTOYAGE</b> .....	25
<b>DÉPANNAGE</b> .....	25
<b>CARACTÉRISTIQUES TECHNIQUES</b>	
Dimensions.....	26
Données électriques.....	26
<b>GARANTIE ET SERVICE</b> .....	27

## PREUVE D'ACHAT ET ENREGISTREMENT DU PRODUIT

Toujours conserver une copie du ticket de caisse indiquant la date d'achat du mélangeur à immersion commercial. La preuve d'achat vous garantit le bénéfice du service après-vente. Avant d'utiliser votre mélangeur à immersion commercial, veuillez remplir et poster la carte d'enregistrement du produit emballée avec l'appareil. Grâce à cette carte, nous pourrions vous contacter dans l'éventualité improbable d'un avis de sécurité concernant le produit; ceci nous aidera aussi à nous conformer aux dispositions de la Loi sur la sécurité des produits de consommation. Cette carte ne confirme pas votre garantie. Veuillez remplir ce qui suit pour vos dossiers personnels :

Numéro de modèle \_\_\_\_\_

Numéro de série \_\_\_\_\_

Date d'achat \_\_\_\_\_

Nom du magasin \_\_\_\_\_

## Votre sécurité et celle des autres est très importante.

Nous donnons de nombreux messages de sécurité importants dans ce manuel et sur votre appareil ménager. Assurez-vous de toujours lire tous les messages de sécurité et de vous y conformer.



Voici le symbole d'alerte de sécurité.

Ce symbole d'alerte de sécurité vous signale les dangers potentiels de décès et de blessures graves à vous et à d'autres.

Tous les messages de sécurité suivront le symbole d'alerte de sécurité et le mot "DANGER" ou "AVERTISSEMENT".

Ces mots signifient :

**⚠ DANGER**

**Risque possible de décès ou de blessure grave si vous ne suivez pas immédiatement les instructions.**

**⚠ AVERTISSEMENT**

**Risque possible de décès ou de blessure grave si vous ne suivez pas les instructions.**

Tous les messages de sécurité vous diront quel est le danger potentiel et vous disent comment réduire le risque de blessure et ce qui peut se produire en cas de non-respect des instructions.

Avertissements de la proposition 65 de l'État de Californie :

**AVERTISSEMENT** : Ce produit contient au moins un produit chimique connu par l'État de Californie pour être à l'origine de cancers.

**AVERTISSEMENT** : Ce produit contient au moins un produit chimique connu par l'État de Californie pour être à l'origine de malformations et autres déficiences de naissance.

## CONSIGNES DE SÉCURITÉ IMPORTANTES

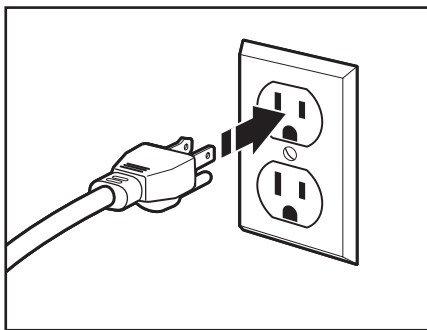
**Lors de l'utilisation d'appareils électriques, il faut toujours observer certaines précautions élémentaires de sécurité, y compris les suivantes :**

1. Lire toutes les instructions.
2. Pour éviter tout risque de choc électrique, ne pas immerger le corps du moteur, le cordon ou la prise du mélangeur à immersion commercial dans de l'eau ou tout autre liquide.
3. Cet appareil ne doit pas être utilisé par des enfants et l'utilisateur doit faire preuve de prudence lorsqu'il l'utilise à proximité d'enfants.
4. Débrancher l'appareil lorsqu'il n'est pas utilisé, avant d'y ajouter des pièces ou d'en enlever, et avant de le nettoyer.
5. Éviter tout contact avec les pièces en mouvement.
6. Ne pas faire fonctionner un appareil si le cordon ou la prise est endommagé(e), si l'appareil ne fonctionne pas correctement, s'il est tombé ou s'il est endommagé d'une quelconque façon. Renvoyer l'appareil au centre de dépannage agréé le plus proche pour examen, réparation ou réglage électrique ou mécanique.

7. L'utilisation d'accessoires non recommandés ou non vendus par le fabricant peut causer un incendie, un choc électrique ou des blessures corporelles.
8. Ne pas utiliser à l'extérieur.
9. Ne pas laisser le cordon pendre par-dessus le bord d'une table ou d'un plan de travail.
10. Ne pas laisser le cordon entrer en contact avec une surface chaude, y compris une cuisinière.
11. Lors du mélange de liquides, surtout de liquides chauds, utiliser un récipient haut ou préparer de petites quantités à la fois pour réduire le risque de renversements et la possibilité de blessures corporelles.
12. Garder les mains et les ustensiles à l'écart du récipient lors du mélange pour éviter toute blessure corporelle grave ou des dommages à l'appareil. On peut utiliser un grattoir, mais il doit être employé uniquement lorsque l'appareil ne fonctionne pas.
13. Les lames sont aiguisées. Manipuler avec précaution.

## CONSERVER CES INSTRUCTIONS

### Spécifications électriques



Volts : 120 V CA.

Hertz : 60 Hz

Intensité (en ampères) : 3 A max.

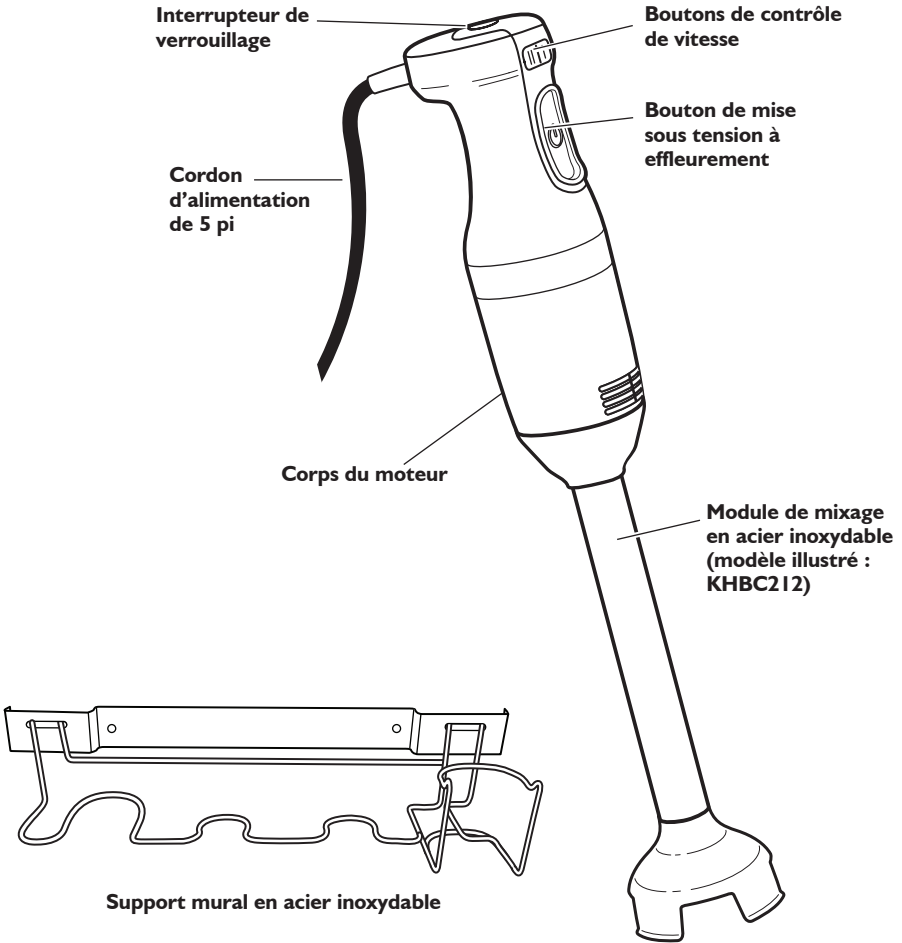
Pour réduire le risque de choc électrique, cette fiche ne peut être insérée dans une prise que dans un seul sens. Si la fiche ne s'introduit pas, appeler un électricien qualifié. Ne pas modifier la prise de quelque manière que ce soit.

Si l'on utilise une rallonge longue :

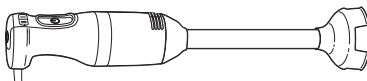
- Les caractéristiques électriques indiquées pour le cordon de rallonge doivent être au moins aussi élevées que les caractéristiques électriques de l'appareil.
- Le cordon doit être disposé de sorte qu'il ne pende pas par-dessus le plan de travail ou la table, car on pourrait tirer dessus ou trébucher dessus involontairement.

# GUIDE DES PIÈCES ET CARACTÉRISTIQUES

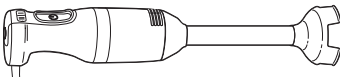
## Pièces du mélangeur à immersion commercial



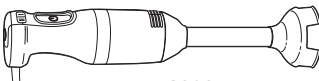
### COMPARAISON DES MODÈLES



**KHBC212 (12" [305 mm])**



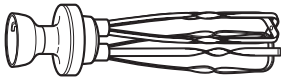

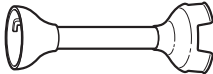
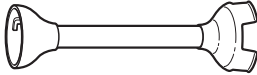
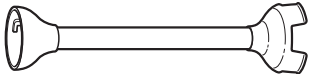
**KHBC210 (10" [254 mm])**



**KHBC208 (8" [203 mm])**

# GUIDE DES PIÈCES ET CARACTÉRISTIQUES

## Accessoires en option

Accessoire	N° de modèle	Style	Longueur
Fouet	KHBC10WER		254 mm (10")
Lame polyvalente en S 	KHBC08MER		203 mm (8")
	KHBC10MER		254 mm (10")
	KHBC12MER		305 mm (12")

## Caractéristiques du mélangeur à immersion commercial

### Commande de vitesse

Permet un ajustement facile de la vitesse.

### Bouton de mise sous tension à effleurement

Il se trouve à l'avant du corps du moteur et s'active en appuyant dessus sans relâcher durant le processus de mélange. Pour arrêter le processus de mélange, il suffit de relâcher le bouton de mise sous tension.

### Interrupteur de verrouillage

Appuyer pour déverrouiller afin de pouvoir utiliser le bouton de mise sous tension. Appuyer pour verrouiller lorsque le mélangeur à immersion commercial est inutilisé.

### Corps du moteur

Conçu pour une prise en main confortable et antidérapante.

### Puissant moteur CC (non illustré)

Permet un mélange puissant et est conçu pour fonctionner durablement et en silence.

### Module de mixage à verrouillage par rotation (acier inoxydable)

Se place simplement sur le corps du moteur. Faire pivoter les deux composants pour les emboîter. La lame aiguisée en acier inoxydable est protégée par un dispositif anti-éclaboussures.

### Cordon d'alimentation de 5 pi

Suffisamment long pour porter le mélangeur à immersion commercial sur une table de cuisson ou une surface de préparation. De plus, sa forme arrondie et sans rainure facilite le nettoyage.

## Commander des pièces de rechange

Pour commander des pièces de rechange pour votre mélangeur à immersion commercial, composer le numéro sans frais **1-800-807-6777**, du lundi au vendredi, de 8 h à 20 h (heure de l'Est), ou consulter le site internet [kitchenaidcommercial.ca](http://kitchenaidcommercial.ca).

## Avant la première utilisation

Avant d'utiliser le mélangeur à immersion commercial KitchenAid® pour la première fois, essuyer le corps du moteur à l'aide d'un chiffon propre et humide pour éliminer toute saleté ou poussière.

**IMPORTANT :** Ne pas immerger le corps du moteur dans l'eau.

Laver tous les accessoires à la main ou au lave-vaisselle. Un liquide à vaisselle doux peut être utilisé; en revanche, ne pas utiliser de produits abrasifs. Sécher soigneusement avec un chiffon doux.

**IMPORTANT :** Veiller à toujours débrancher le cordon d'alimentation de la prise murale avant de fixer ou d'enlever des accessoires.

## Usage prévu

Ce mélangeur à immersion commercial KitchenAid® commercial a été conçu pour être utilisé dans des restaurants, des cuisines commerciales et d'autres lieux de restauration. Le mélangeur à immersion commercial peut être utilisé directement dans un ustensile ou un bol, pour mélanger un grand choix d'ingrédients.

### Utilisations de la lame polyvalente en S

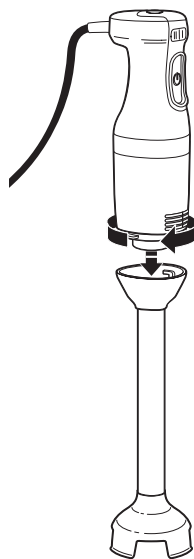
- Soupes
- Purées de légumes
- Mousses
- Compotes
- Sauces
- Bisques
- Viandes cuites
- Sauce pour bœuf
- Fruits liquéfiés
- Aliments émincés



### Utilisations du fouet

- Pâte à crêpes
- Mayonnaise
- Blancs d'œufs
- Pouding
- Crème fouettée

## Utilisation du module de mixage à verrouillage par rotation

1. Insérer le module de mixage dans le corps du moteur en alignant le repère d'alignement sur l'arrière de l'appareil, et le faire pivoter pour le verrouiller. Le repère d'alignement du module de mixage doit être aligné avec le repère situé sur le corps du moteur.



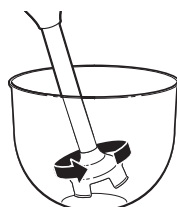
2. Brancher le cordon électrique sur une prise murale.
3. Régler la vitesse du mélangeur à immersion commercial sur Basse  ou Élevée .
4. Plonger le mélangeur à immersion commercial dans la préparation.

**REMARQUE :** Le mélangeur à immersion commercial doit être immergé dans le liquide seulement à hauteur de l'accessoire. Ne pas immerger au-delà du joint de l'axe mélangeur. Ne pas immerger le corps du moteur dans un liquide ou dans d'autres mélanges. Pour éviter d'endommager les lames ou le récipient de mélange, ne pas toucher de la lame le fond du récipient de mélange, et ne pas utiliser le mélangeur dans un récipient de mélange comportant des pièces saillantes qui pourraient se prendre dans la protection métallique.

5. Appuyer sur l'interrupteur de verrouillage pour déverrouiller le mélangeur à immersion commercial.
6. Appuyer sur le bouton de mise sous tension pour activer le mélangeur à immersion commercial.
7. Une fois le mélange terminé, relâcher le bouton de mise sous tension avant de retirer le mélangeur à immersion commercial de la préparation.
8. Débrancher immédiatement après utilisation et avant de retirer ou de changer les accessoires.

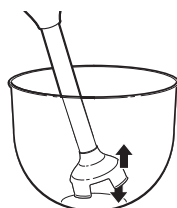
Pour des résultats optimaux, insérer le mélangeur à main avec le module de mixage fixé dessus dans le contenant ou le bol contenant les ingrédients en l'inclinant. Avec votre main libre, tenir le contenant ou le bol, ou tenir le mélangeur à immersion commercial au niveau approximatif de la base du moteur pour plus de stabilité. Ne pas oublier d'arrêter le mélangeur à immersion commercial avant de l'enlever du bol de mélange pour éviter toute éclaboussure.

Mélange



Placer brièvement le mélangeur à immersion commercial sur le fond du contenant ou du bol, puis l'incliner et le soulever lentement contre la paroi du contenant ou du bol. À mesure que l'on remonte le mélangeur à immersion commercial, on remarque que les ingrédients au fond du contenant ou du bol se soulèvent. Lorsque les ingrédients ne se soulèvent plus, replacer le mélangeur à immersion commercial au fond du contenant ou du bol et renouveler l'opération jusqu'à ce que les ingrédients atteignent la consistance souhaitée.

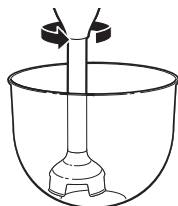
Mouvement vertical



# UTILISATION DU MÉLANGEUR À IMMERSION COMMERCIAL

D'un léger mouvement circulaire du poignet, faire remonter légèrement le mélangeur puis le laisser redescendre dans les ingrédients. Laisser le mouvement du poignet et le poids du mélangeur à immersion commercial faire le travail.

Mouvement  
du poignet



**REMARQUE :** Si un morceau d'aliment se coince dans la protection qui entoure la lame, suivre les instructions indiquées ci-dessous :

1. Relâcher le bouton de mise sous tension et débrancher le mélangeur à immersion commercial de la prise de courant électrique.
2. Une fois que l'on a déconnecté la source de courant électrique, retirer les aliments coincés dans la protection métallique à l'aide d'une spatule. Ne pas retirer les aliments coincés avec les doigts.
3. Une fois que les aliments coincés ont été retirés, rebrancher le mélangeur à immersion commercial sur la prise de courant électrique et continuer le mélange.

## CONSEILS À SUIVRE POUR OBTENIR DE BONNS RÉSULTATS

- Couper les aliments solides en petits morceaux pour faciliter le mélange ou le hachage.
- Le mélangeur à immersion commercial est doté d'un dispositif de disjonction thermique qui le protège d'une température excessive lors de son utilisation. Si le mélangeur à immersion commercial cesse brusquement de fonctionner lors de son utilisation, le débrancher et attendre 10 minutes pour la réinitialisation automatique.
- Pour éviter les éclaboussures, plonger le mélangeur à immersion commercial dans la préparation avant d'appuyer sur le bouton de mise sous tension, et relâcher le bouton avant de retirer le mélangeur à immersion commercial de la préparation.
- Lorsqu'on mélange les ingrédients dans une casserole sur une table de cuisson, retirer la casserole de l'élément chauffant pour empêcher le mélangeur à main de surchauffer.
- Pour un résultat optimal, incliner le mélangeur à immersion commercial et le déplacer légèrement de haut en bas dans le récipient. Ne pas introduire le mélangeur à immersion commercial avec force dans la préparation.
- Pour éviter tout débordement, s'assurer qu'il y ait suffisamment de marge dans le récipient pour permettre à la préparation de s'élever lors de l'utilisation du mélangeur à immersion commercial.
- S'assurer que le cordon grande longueur du mélangeur à immersion commercial ne pende pas au-dessus d'un élément chauffant.
- Ne pas laisser le mélangeur à immersion commercial inutilisé dans une casserole chaude sur la table de cuisson.
- Retirer les parties dures, comme les noyaux de fruits ou les os, de la préparation avant de mélanger ou de hacher pour éviter d'endommager les lames.



Toujours nettoyer l'appareil et ses accessoires après usage et avant le rangement.

1. Débrancher le mélangeur à immersion commercial avant le nettoyage.
2. Retirer les accessoires en les faisant pivoter (voir la section "Utilisation du mélangeur à immersion commercial").
3. Essuyer le corps du moteur et les accessoires à l'aide d'un chiffon humide. Un liquide à vaisselle doux peut être utilisé; en revanche, ne pas utiliser de produits abrasifs.
4. Nettoyer le cordon d'alimentation avec un chiffon humecté d'eau tiède et savonneuse. Essuyer ensuite à l'aide d'un chiffon humide. Sécher avec un chiffon doux.

### Accessoires du mélangeur à immersion commercial

Nettoyer les accessoires du mélangeur dans de l'eau chaude et savonneuse, ou les placer dans le lave-vaisselle. Sécher complètement.

**REMARQUE :** Ne pas immerger le corps du moteur ou les adaptateurs dans une solution de lavage, de l'eau de rinçage ou une solution d'assainissement.

## DÉPANNAGE

Si le mélangeur à immersion commercial a cessé de fonctionner, vérifier ce qui suit :

### L'appareil a été débranché

- Relâcher le bouton de mise sous tension
- Vérifier l'alimentation électrique
- Redémarrer le mélangeur à immersion commercial comme indiqué dans la section "Utilisation du mélangeur à immersion commercial".

### La machine a surchauffé

- Relâcher le bouton de mise sous tension
- Débrancher l'appareil
- Attendre quelques minutes pour que le moteur refroidisse et que le mécanisme de sécurité thermique se réinitialise
- Redémarrer le mélangeur à immersion commercial comme indiqué dans la section "Utilisation du mélangeur à immersion commercial".

### Inconnue

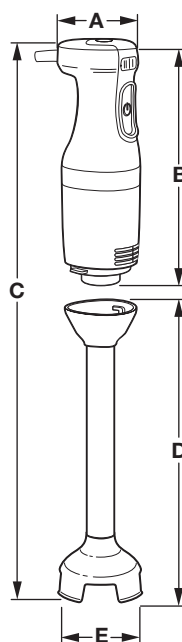
- Relâcher le bouton de mise sous tension
- Débrancher l'appareil
- Vérifier ce qui suit :
  - prise électrique endommagée
  - lames qui ne tournent pas librement (des aliments peuvent être coincés entre les lames et la protection métallique)
- coupures sur le cordon d'alimentation, ou autres dommages
- arbre d'entraînement qui ne tourne pas librement (vérifier en retirant le module de mixage et en faisant tourner l'arbre manuellement)

# CARACTÉRISTIQUES TECHNIQUES

## Dimensions

### Dimensions

	<b>KHBC212</b>	<b>KHBC210</b>	<b>KHBC208</b>
<b>A</b>	87,8 mm /3,5"	87,8 mm /3,5"	87,8 mm /3,2"
<b>B</b>	270,4 mm /10,7"	270,4 mm /10,7"	270,4 mm /10,7"
<b>C</b>	565,2 mm /22,3"	514,4 mm /20,3"	463,6 mm /18,3"
<b>D</b>	305 mm /12,0"	254 mm /10,0"	203 mm /8,0"
<b>E</b>	81,6 mm /3,2"	81,6 mm /3,2"	81,6 mm /3,2"



### Poids

<b>KHBC212</b>	<b>KHBC210</b>	<b>KHBC208</b>
1,5 kg /3,3 lb	1,5 kg /3,3 lb	1,45 kg /3,3 lbs

## Données électriques

KHBC212, KHBC210, KHBC208

<b>Moteur</b>	<b>Intensité (en ampères)</b>	<b>Vitesse de mélange I (tr/min)</b>	<b>Vitesse de mélange II (tr/min)</b>
<b>120 V/60Hz</b>	3 A max.	11,000	18,000

## Garantie du mélangeur à immersion commercial de marque KitchenAid® pour les 50 États des États-Unis, le district fédéral de Columbia et le Canada

La présente garantie couvre l'acheteur et les propriétaires suivants du mélange à immersion lorsqu'il est utilisé dans les 50 États des États-Unis, le district fédéral de Columbia et le Canada.

**Durée de la garantie :** Garantie complète de deux ans à compter de la date d'achat.

**KitchenAid prendra en charge les éléments suivants à votre choix :**



Remplacement satisfaction totale du mélangeur à immersion commercial. Voir la page suivante pour plus de détails concernant la procédure à suivre pour un dépannage, ou appeler le numéro sans frais **1-800-807-6777** du centre de satisfaction de la clientèle. OU

KitchenAid prendra en charge les pièces de rechange et la main-d'œuvre pour corriger les vices de matériaux ou de fabrication. L'intervention de dépannage doit être effectuée par un centre de dépannage KitchenAid agréé. Voir la garantie du mélangeur à immersion commercial KitchenAid® pour Porto Rico pour plus de détails concernant la procédure à suivre pour un dépannage.

**KitchenAid ne paiera pas pour :**

- A.** Les dommages causés par : accident, altération, mésusage ou abus.
- B.** Les frais des pièces de rechange ou de main d'œuvre pour le mélangeur à immersion commercial lorsqu'il est utilisé à l'extérieur des 50 États des États-Unis et du district fédéral de Columbia.

### CLAUSE D'EXONÉRATION DE RESPONSABILITÉ AU TITRE DES GARANTIES IMPLICITES; LIMITATION DES RECOURS

LES GARANTIES IMPLICITES, Y COMPRIS DANS LA MESURE APPLICABLE LES GARANTIES DE QUALITÉ MARCHANDE OU D'APTITUDE À UN USAGE PARTICULIER, SONT EXLUES DANS LA MESURE AUTORISÉE PAR LA LOI. TOUTE GARANTIE IMPLICITE POUVANT ÊTRE IMPOSÉE PAR LA LOI EST LIMITÉE À UN AN, OU À LA PLUS COURTE PÉRIODE AUTORISÉE PAR LA LOI. CERTAINES JURIDICTIONS NE PERMETTENT PAS LA LIMITATION DE LA DURÉE DE VALIDITÉ DES GARANTIES IMPLICITES DE QUALITÉ MARCHANDE OU D'APTITUDE À UN USAGE PARTICULIER; PAR CONSÉQUENT, LES LIMITATIONS OU EXCLUSIONS STIPULÉES DANS LES PRÉSENTES PEUVENT NE PAS VOUS ÊTRE APPLICABLES.

SI CE PRODUIT NE FONCTIONNE PAS TEL QUE GARANTI, LE SEUL ET UNIQUE RECOURS DU CLIENT CONSISTE À EN OBTENIR LA RÉPARATION OU LE REMPLACEMENT CONFORMÉMENT AUX TERMES DE LA PRÉSENTE GARANTIE LIMITÉE. KITCHENAID ET KITCHENAID CANADA DÉCLINENT TOUTE RESPONSABILITÉ AU TITRE DES DOMMAGES FORTUITS OU INDIRECTS. Cette garantie vous confère des droits juridiques spécifiques et vous pouvez également jouir d'autres droits qui peuvent varier d'un État à l'autre ou d'une province à l'autre.

### Garantie du mélangeur à immersion commercial KitchenAid® pour Porto Rico

---

Garantie limitée de deux ans qui couvre l'acheteur et les propriétaires suivants du mélangeur à immersion commercial lorsqu'il est utilisé à Porto Rico. Durant la période de garantie, toutes les interventions de service doivent être effectuées par un centre KitchenAid agréé. Apporter le mélangeur à

immersion commercial ou le retourner port payé et assuré au centre de réparation agréé le plus proche. Appeler le numéro sans frais **1-855-845-9684** pour obtenir l'adresse d'un centre de réparation près de chez vous. Le mélangeur à immersion commercial réparé vous sera retourné port payé et assuré.

### Garantie de remplacement satisfaction totale – pour les 50 États des États-Unis et le district fédéral de Columbia

---

Nous sommes tellement certains que la qualité de nos produits satisfait aux normes exigeantes de KitchenAid que si le mélangeur à immersion commercial cesse de fonctionner au cours des deux premières années suivant son acquisition, KitchenAid livrera gratuitement à votre domicile un appareil de remplacement identique ou comparable et prendra les dispositions nécessaires pour que le mélangeur à immersion commercial d'origine nous soit retourné. L'appareil de remplacement sera également couvert par notre garantie limitée de deux ans. Veuillez suivre ces instructions pour bénéficier de ce service de qualité.

Si votre mélangeur à immersion commercial cesse de fonctionner durant les deux premières années suivant son acquisition, il vous suffit d'appeler notre Customer eXperience Centre de la clientèle sans frais au **1-855-845-9684**, du lundi au vendredi, entre 8 h et 20 h (heure de l'Est). Fournissez votre adresse de livraison complète au représentant. (Pas de boîte postale)

À réception du mélangeur à immersion commercial de rechange, utiliser le carton et les matériaux d'emballage pour emballer le mélangeur à immersion commercial d'origine.

### Garantie de remplacement satisfaction totale – Canada

---

Nous sommes tellement certains que la qualité de nos produits satisfait aux normes exigeantes de la marque KitchenAid que si le mélangeur à immersion commercial cesse de fonctionner au cours des deux premières années suivant son acquisition, KitchenAid Canada remplacera votre mélangeur à immersion commercial par un appareil de remplacement identique ou comparable. L'appareil de remplacement sera également couvert par notre garantie limitée de deux ans. Veuillez suivre ces instructions pour bénéficier de ce service de qualité.

Si votre mélangeur à immersion commercial cesse de fonctionner durant les deux premières années suivant son acquisition, apporter ou réexpédier le mélangeur à immersion commercial port dû vers un

Centre de réparation KitchenAid agréé. Veuillez indiquer vos nom et adresse d'expédition complets dans le carton et joignez une copie de votre preuve d'achat (reçu de caisse, facture de règlement par carte de crédit etc.). Votre mélangeur à immersion commercial de rechange sera retourné port payé et assuré. Si le service que vous obtenez de cette manière n'est pas satisfaisant, appelez notre centre de service à la clientèle au numéro sans frais **1-800-807-6777**.

Ou écrivez-nous à :  
Customer eXperience Centre  
KitchenAid Canada  
200 - 6750 Century Ave.  
Mississauga, ON L5N 0B7

### Obtenir un dépannage une fois la garantie expirée ou commander des accessoires et pièces de rechange

---

#### **Aux États-Unis et à Porto Rico :**

Pour des informations sur le service de dépannage ou pour commander des accessoires ou des pièces de rechange, composer le numéro sans frais **1-855-845-9684** ou écrire à :

Customer eXperience Center,  
KitchenAid Small Appliances,  
P.O. Box 218, St. Joseph, MI 49085-0218

#### **En dehors des États-Unis et de Porto Rico :**

Consulter le revendeur KitchenAid ou le détaillant auprès duquel le mélangeur à immersion commercial a été acheté pour obtenir des informations sur le service de dépannage.

#### **Pour des informations concernant toute intervention de dépannage au Canada :**

**1-800-807-6777**

Ou écrire à l'adresse suivante :  
Centre eXpérience clientèle  
KitchenAid Canada  
200 - 6750 Century Ave.  
Mississauga, ON L5N 0B7

## BIENVENIDO AL MUNDO DE KITCHENAID ESTILO COMERCIAL

Estamos comprometidos a ayudarlo a crear deliciosas comidas para sus clientes por toda la vida. Para ayudar a asegurar la larga duración y el desempeño de su aparato, mantenga esta guía a mano. Ésta le proveerá información sobre la mejor manera de usar y cuidar su producto. Su satisfacción es nuestra meta número 1. Recuerde registrar su producto en línea en [www.kitchenaidcommercial.com](http://www.kitchenaidcommercial.com).



## ÍNDICE

<b>LICUADORA COMERCIAL DE INMERSIÓN SEGURIDAD</b>	
Salvaguardias importantes .....	32
Requisitos eléctricos .....	33
<b>GUÍA DE PIEZAS Y CARACTERÍSTICAS</b>	
Piezas de la licuadora comercial de inmersión .....	34
Accesorios opcionales .....	35
Características de la licuadora comercial de inmersión.....	35
<b>CÓMO UTILIZAR LA LICUADORA COMERCIAL DE INMERSIÓN</b>	
Antes del primer uso .....	36
Uso recomendado.....	36
Cómo utilizar el brazo de licuado que se asegura al girarlo .....	37
<b>CONSEJOS PARA PROCESAR ALIMENTOS</b> .....	38
<b>CUIDADO Y LIMPIEZA</b> .....	39
<b>SOLUCIÓN DE PROBLEMAS</b> .....	39
<b>ESPECIFICACIONES TÉCNICAS</b>	
Dimensiones.....	40
Datos eléctricos.....	40
<b>GARANTÍA Y SERVICIO TÉCNICO</b> .....	41

## COMPROBANTE DE COMPRA Y REGISTRO DEL PRODUCTO

Guarde siempre una copia del recibo de compra, en el cual se muestra la fecha de compra de su licuadora comercial de inmersión. El comprobante de compra le asegurará el servicio bajo la garantía. Antes de utilizar su licuadora comercial de inmersión, llene y envíe por correo la tarjeta de registro del producto, que fue empacada con la unidad. Esta tarjeta nos permitirá contactarlo en el caso improbable de una notificación acerca de la seguridad del producto y nos asistirá para cumplir con las disposiciones de Consumer Product Safety Act (Ley de seguridad de productos al consumidor). Esta tarjeta no confirma su garantía. Complete lo siguiente para su información personal:

Número de modelo \_\_\_\_\_

Número de serie \_\_\_\_\_

Fecha de compra \_\_\_\_\_

Nombre de la tienda \_\_\_\_\_

## Su seguridad y la seguridad de los demás es muy importante.

Hemos incluido muchos mensajes importantes de seguridad en este manual y en su electrodoméstico. Lea y obedezca siempre todos los mensajes de seguridad.



Este es el símbolo de advertencia de seguridad.

Este símbolo le llama la atención sobre peligros potenciales que pueden ocasionar la muerte o una lesión a usted y a los demás.

Todos los mensajes de seguridad irán a continuación del símbolo de advertencia de seguridad y de la palabra "PELIGRO" o "ADVERTENCIA".

Estas palabras significan:

**▲ PELIGRO**

**Si no sigue las instrucciones de inmediato, usted puede morir o sufrir una lesión grave.**

**▲ ADVERTENCIA**

**Si no sigue las instrucciones, usted puede morir o sufrir una lesión grave.**

Todos los mensajes de seguridad le dirán el peligro potencial, le dirán cómo reducir las posibilidades de sufrir una lesión y lo que puede suceder si no se siguen las instrucciones.

Advertencias de la Proposición 65 del estado de California:

**ADVERTENCIA:** Este producto contiene una o más sustancias químicas identificadas por el estado de California como causantes de cáncer.

**ADVERTENCIA:** Este producto contiene una o más sustancias químicas identificadas por el estado de California como causantes de defectos congénitos o algún otro tipo de daños en la función reproductora.

## SALVAGUARDIAS IMPORTANTES

**Al utilizar aparatos eléctricos, se deben seguir las precauciones básicas de seguridad, entre las que se incluyen las siguientes:**

1. Lea todas las instrucciones.
2. Para protegerse contra el riesgo de choque eléctrico, no coloque el cuerpo del motor, el cable ni el enchufe eléctrico de esta licuadora comercial de inmersión en agua ni en ningún otro líquido.
3. Este aparato no debe ser utilizado por niños y se debe tener cuidado cuando se use cerca de ellos.
4. Desenchufe del tomacorriente cuando no se esté en uso, antes de colocar o quitar partes y antes de la limpieza.
5. Evite tocar las partes que estén en movimiento.
6. No utilice ningún aparato con un cable o enchufe dañado, si el aparato no ha funcionado correctamente, si se ha caído o si está dañado de alguna forma. Devuelva el aparato al lugar de servicio técnico autorizado más cercano para su inspección, reparación o ajuste eléctrico o mecánico.

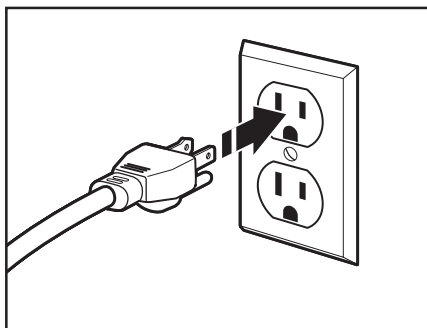


# LICUADORA COMERCIAL DE INMERSIÓN SEGURIDAD

7. El uso de accesorios no recomendados o vendidos por el fabricante puede provocar un incendio, choque eléctrico o lesiones.
8. No lo use al aire libre.
9. No deje que el cable cuelgue del borde de la mesa o del mostrador.
10. No permita que el cable toque las superficies calientes, incluida la estufa.
11. Cuando mezcle líquidos, en particular líquidos calientes, use un recipiente alto o mezcle cantidades pequeñas a la vez para reducir los derrames y la posibilidad de lesiones.
12. Mantenga las manos y los utensilios fuera del recipiente mientras mezcla, para así evitar la posibilidad de lesiones graves a personas o daños a la unidad. Puede usarse un raspador, pero se debe utilizar solamente cuando la unidad no esté funcionando.
13. Las cuchillas son filosas. Manipúlelas con cuidado.

## GUARDE ESTAS INSTRUCCIONES

### Requisitos eléctricos



Voltios: 120 V.C.A.  
Hertzios: 60 Hz  
Intensidad (Amp.): 3A máx.

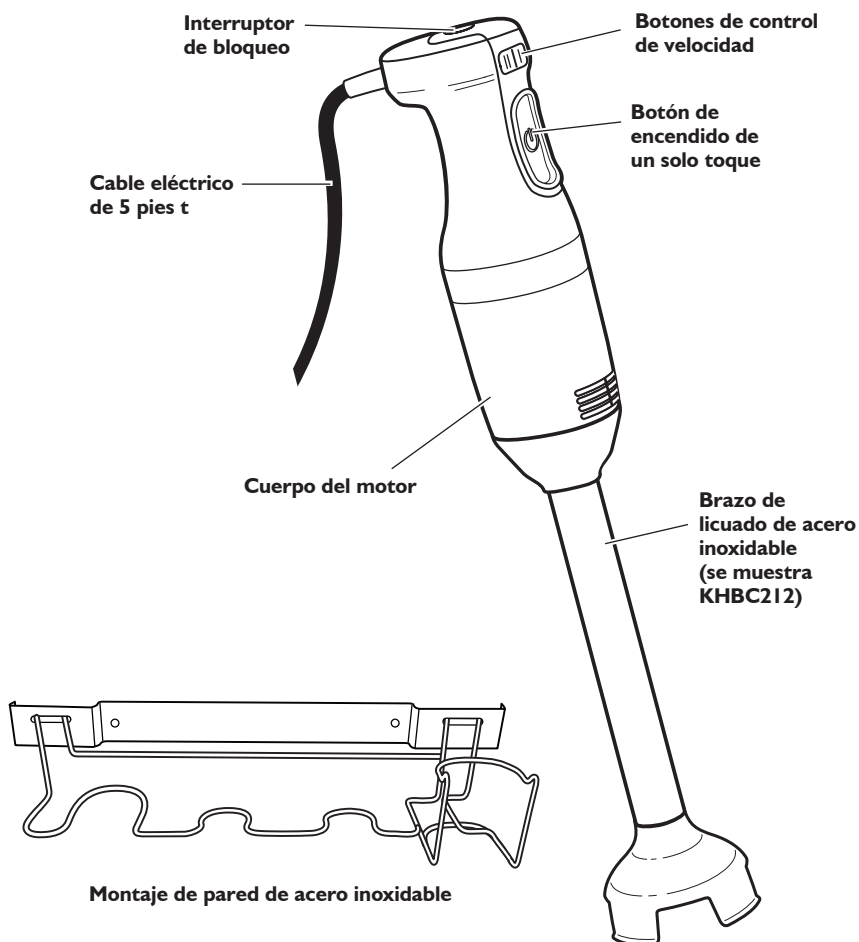
Para reducir el riesgo de choque eléctrico, este enchufe encajará en un tomacorriente solamente de una manera. Si no encaja, póngase en contacto con un electricista competente. No modifique el enchufe de ninguna manera.

Si se utiliza un cable de extensión largo:

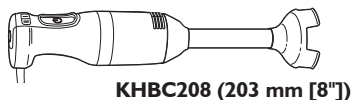
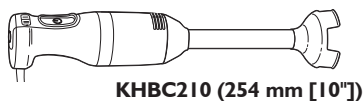
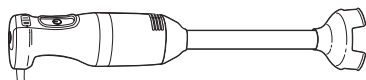
- La clasificación eléctrica indicada en el cable de extensión deberá ser, por lo menos, la misma que la clasificación eléctrica del aparato.
- Deberá acomodar el cable de manera que no cuelgue sobre el mostrador o la parte superior de la mesa, en donde los niños puedan jalarlo o donde alguien pueda tropezarse con él accidentalmente.

# GUÍA DE PIEZAS Y CARACTERÍSTICAS

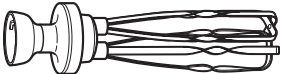

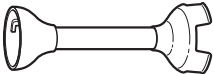
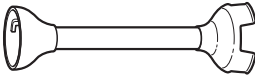
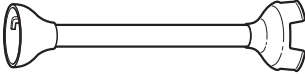
## Piezas de la licuadora comercial de inmersión



### COMPARACIÓN DE MODELOS



## Accesorios opcionales

Accesorio	N.º de modelo	Estilo	Longitud
Aditamento para batir	KHBC10WER		254 mm (10")
Cuchilla en S multiuso 	KHBC08MER		203 mm (8")
	KHBC10MER		254 mm (10")
	KHBC12MER		305 mm (12")

## Características de la licuadora comercial de inmersión

### Control de velocidad

Provee una regulación de velocidad fácil.

### Botón de encendido de un solo toque

Está ubicado en el frente del cuerpo del motor y se activa al mantenerlo presionado mientras licúa. Para detener la acción de licuado, simplemente suelte el botón de encendido.

### Interruptor de bloqueo

Presione para desbloquear a fin de que el botón de encendido funcione; presione para bloquear cuando la licuadora comercial de inmersión no esté en uso.

### Cuerpo del motor

Diseñado con una superficie cómoda y antideslizante para sujetarlo.

### Motor poderoso de CC (no se muestra)

Provee una acción de licuado poderosa y se ha diseñado para una vida útil prolongada y un funcionamiento silencioso.

### Brazo de licuado de acero inoxidable que se asegura al girarlo

Se coloca sencillamente en el cuerpo del motor y se gira para asegurarse a éste. La cuchilla filosa de acero inoxidable está cubierta para prevenir las salpicaduras al licuar.

### Cable eléctrico de 5 pies

Es lo suficientemente largo para llevar la licuadora comercial de inmersión a un mostrador o área de trabajo, y es redondo y sin ranuras para facilitar la limpieza.

## Cómo ordenar piezas de repuesto

Para ordenar piezas de repuesto para su licuadora comercial de inmersión, llame sin cargo al

**1-855-845-9684**, de 8 a.m. a 8 p.m., de lunes a viernes, hora del este o visite [kitchenaidcommercial.com](http://kitchenaidcommercial.com).

# CÓMO UTILIZAR LA LICUADORA COMERCIAL DE INMERSIÓN

## Antes del primer uso

Antes de usar por primera vez la licuadora comercial de inmersión KitchenAid®, limpie el cuerpo del motor con un paño limpio y húmedo, para quitar el polvo o la suciedad.

**IMPORTANTE:** No sumerja el cuerpo del motor en agua.

Lave todos los aditamentos y accesorios a mano o en la lavavajillas. Puede utilizar jabón suave para platos, pero no utilice limpiadores abrasivos. Seque meticulosamente con un paño suave.

**IMPORTANTE:** Asegúrese de desenchufar siempre el cable eléctrico del contacto de pared antes de colocar o quitar accesorios.

## Uso recomendado

La licuadora comercial de inmersión KitchenAid® está destinada para usarse en restaurantes, cocinas comerciales y otras ubicaciones de servicio de comida. La licuadora comercial de inmersión puede usarse directamente en una olla o tazón para mezclar una variedad de ingredientes.

### Utilidades de la cuchilla en S multiuso

- Sopas
- Purés de verdura
- Mousses
- Compotas
- Salsas
- Bisques
- Carnes cocidas
- Salsas de carne
- Frutas licuadas
- Alimentos picados

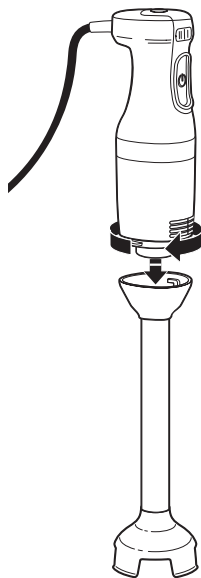
### Usos del batidor



- Masa para panqueque
- Mayonesa
- Claras de huevo
- Postre cremoso
- Crema batida

# CÓMO UTILIZAR LA LICUADORA COMERCIAL DE INMERSIÓN

## Cómo utilizar el brazo de licuado que se asegura al girarlo

1. Inserte el aditamento del brazo de licuado dentro del cuerpo del motor con la marca de alineación mirando hacia la parte posterior de la unidad y gire para asegurarlo. La marca de alineación en el aditamento debe alinearse con la marca en el cuerpo.



2. Enchufe el cable eléctrico en un contacto de pared.
3. Fije la velocidad de la licuadora comercial de inmersión a baja  o alta. 
4. Inserte la licuadora comercial de inmersión en la mezcla.

**NOTA:** La licuadora comercial de inmersión deberá sumergirse en líquidos únicamente hasta el largo del accesorio. No la sumerja más allá de donde se une el accesorio para licuar. No sumerja el cuerpo del motor en líquidos u otras mezclas. Para evitar dañar las cuchillas o el recipiente para mezclar, no haga que la cuchilla toque el fondo del recipiente para mezclar o use un recipiente para mezclar que no tenga piezas prominentes que puedan meterse dentro de la protección de metal.

5. Presione el interruptor de bloqueo para desbloquear la licuadora comercial de inmersión.
6. Presione el botón de encendido para activar la licuadora comercial de inmersión.
7. Cuando haya terminado de licuar, suelte el botón de encendido antes de sacar la licuadora comercial de inmersión de la mezcla.
8. Desenchúfela inmediatamente después del uso y antes de quitar o cambiar accesorios.

Para obtener mejores resultados, inserte la licuadora comercial de inmersión con el brazo de licuado sujeto a la misma en un ángulo dentro de la olla o tazón que contiene los ingredientes. Use su mano libre para sostener la olla o tazón o sostenga la licuadora comercial de inmersión cerca de la base de la unidad del motor para una mejor estabilidad. Recuerde detener la licuadora comercial de inmersión antes de sacarla del frasco para evitar salpicar.



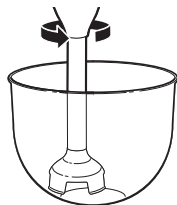
Coloque la licuadora comercial de inmersión brevemente en el fondo de la olla o tazón, luego sujétela en un ángulo y muévala hacia arriba lentamente, contra el costado de la olla o tazón. A medida que mueve la licuadora comercial de inmersión hacia arriba, notará que los ingredientes en el fondo de la olla o tazón son atraídos hacia arriba. Cuando los ingredientes ya no sean atraídos hacia arriba desde el fondo, vuelva a mover la licuadora comercial de inmersión al fondo de la olla o tazón y repita el proceso hasta que los ingredientes tengan la consistencia deseada.



# CÓMO UTILIZAR LA LICUADORA COMERCIAL DE INMERSIÓN

Haciendo un movimiento circular leve con su muñeca, levante ligeramente la licuadora comercial de inmersión y sumérgala nuevamente en los ingredientes. Permita que el movimiento de la muñeca y el peso de la licuadora comercial de inmersión hagan el trabajo.

Movimiento de la muñeca



**NOTA:** Si un pedazo de alimento se queda atrapado en la protección alrededor de la cuchilla, siga las instrucciones que se detallan a continuación:

1. Suelte el botón de encendido y desenchufe la licuadora comercial de inmersión del tomacorriente.
2. Una vez que se ha desconectado la energía, use una espátula para quitar el alimento atrapado en la protección de metal. No quite el alimento atrapado con los dedos.
3. Después de quitar el alimento atrapado, enchufe la licuadora comercial de inmersión nuevamente en el tomacorriente y reanude el funcionamiento.

## CONSEJOS PARA PROCESAR ALIMENTOS

- Corte los alimentos sólidos en trozos pequeños para licuar o picar con más facilidad.
- La licuadora comercial de inmersión viene con protección térmica contra temperaturas elevadas de funcionamiento. Si la licuadora comercial de inmersión se detiene repentinamente durante el uso, desenchúfela y deje que se restablezca automáticamente después de 10 minutos.
- Para evitar salpicaduras, inserte la licuadora comercial de inmersión en la mezcla antes de presionar el botón de encendido, y suelte el botón de encendido antes de sacar la licuadora comercial de inmersión de la mezcla.
- Cuando licúe en una olla sobre una superficie de cocción, quite la cacerola del elemento calefactor para proteger la licuadora comercial de inmersión contra el sobrecalentamiento.
- Para obtener el mejor licuado, sostenga la licuadora comercial de inmersión en un ángulo y muévala cuidadosamente hacia arriba y hacia abajo dentro del recipiente. No suba ni baje la licuadora comercial de inmersión bruscamente en la mezcla.
- Para evitar que se derrame la mezcla, deje espacio en el recipiente para que se levante la mezcla cuando usa la licuadora comercial de inmersión.
- Asegúrese de que el cable extra largo de la licuadora comercial de inmersión no se extienda sobre un elemento calefacto caliente.
- No deje la licuadora comercial de inmersión sobre una cacerola caliente en la superficie de cocción mientras no la use.
- Saque los artículos duros, como las semillas de frutas o huesos, de la mezcla antes de licuar o picar, para evitar dañar las cuchillas.

# CUIDADO Y LIMPIEZA

Siempre limpie el aparato y sus accesorios después de usar y antes de guardar.

1. Desenchufe la licuadora comercial de inmersión antes de limpiarla.
2. Saque los accesorios girándolos (vea la sección “Cómo utilizar su licuadora comercial de inmersión”)
3. Limpie el cuerpo del motor y los accesorios con un paño húmedo. Puede utilizar jabón suave para platos, pero no utilice limpiadores abrasivos.

**NOTA:** No sumerja el cuerpo del motor en una solución para lavar, agua de enjuague o solución para desinfectar.

4. Limpie el cable eléctrico con un paño tibio con jabón y luego pásele un paño húmedo. Seque con un paño suave.

## Accesorios de la licuadora comercial de inmersión

Lave el accesorio para licuar en agua caliente con jabón o en la lavavajillas. Seque meticulosamente.

# SOLUCIÓN DE PROBLEMAS

Si la licuadora comercial de inmersión ha dejado de funcionar, verifique lo siguiente:

## La unidad se ha desenchufado

- Suelte el botón de encendido
- Verifique el cable de suministro eléctrico
- Vuelva a encender la licuadora comercial de inmersión como se indica en “Cómo utilizar su licuadora comercial de inmersión”

## El aparato se ha sobrecalentado

- Suelte el botón de encendido
- Desenchufe la unidad
- Espere unos minutos para que el motor se enfríe y el mecanismo de seguridad térmico se reajuste
- Vuelva a encender la licuadora comercial de inmersión como se indica en “Cómo utilizar su licuadora comercial de inmersión”

## Desconocida

- Suelte el botón de encendido
- Desenchufe la unidad
- Verifique lo siguiente:
  - el enchufe eléctrico para ver si está dañado
  - las cuchillas por si no se mueven (el alimento puede atascarse entre las cuchillas y la protección de metal)
  - cable eléctrico para ver si hay cortes u otros daños
  - el eje accionador para ver si gira libremente (verifíquelo quitando el aditamento del brazo y girando el eje manualmente)

# ESPECIFICACIONES TÉCNICAS

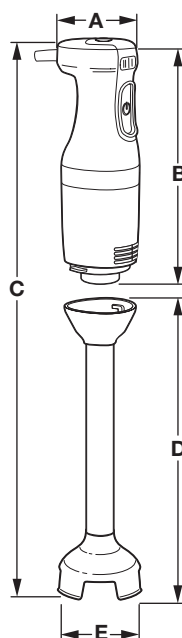
## Dimensiones

### Dimensiones

	<b>KHBC212</b>	<b>KHBC210</b>	<b>KHBC208</b>
<b>A</b>	87,8 mm /3,5"	87,8 mm /3,5"	87,8 mm /3,2"
<b>B</b>	270,4 mm /10,7"	270,4 mm /10,7"	270,4 mm /10,7"
<b>C</b>	565,2 mm /22,3"	514,4 mm /20,3"	463,6 mm /18,3"
<b>D</b>	305 mm /12,0"	254 mm /10,0"	203 mm /8,0"
<b>E</b>	81,6 mm /3,2"	81,6 mm /3,2"	81,6 mm /3,2"

### Peso

<b>KHBC212</b>	<b>KHBC210</b>	<b>KHBC208</b>
1,5 kg /3,3 lb	1,5 kg /3,3 lb	1,45 kg /3,3 lbs



## Datos eléctricos

KHBC212, KHBC210, KHBC208

<b>Motor</b>	<b>Intensidad (Amp.)</b>	<b>Velocidad de la batidora I (rpm)</b>	<b>Velocidad de la batidora II (rpm)</b>
<b>120 V/60Hz</b>	3A máx.	11,000	18,000



# GARANTÍA Y SERVICIO TÉCNICO

## Garantía de la licuadora comercial de inmersión KitchenAid® para los 50 estados de Estados Unidos, el distrito de Columbia y Canadá

Esta garantía se extiende al comprador y a cualquier propietario subsiguiente para las licuadoras de inmersión usadas en los 50 estados de Estados Unidos, el Distrito de Columbia y Canadá.

<b>Length of Warranty:</b>	Dos años de garantía completa a partir de la fecha de compra.
<b>KitchenAid pagará por lo siguiente, a su elección:</b>	<p>Reemplazo sin dificultades para su licuadora comercial de inmersión. Consulte la siguiente página para obtener detalles acerca de cómo obtener servicio o llame al Centro para la satisfacción del cliente, sin cargo, al <b>1-855-845-9684</b>.</p> <p><b>O BIEN</b></p> <p>Las piezas de repuesto o costos de trabajo de reparación para corregir defectos en los materiales y en la mano de obra. El servicio deberá ser provisto por un Centro de servicio autorizado por KitchenAid. Vea la garantía de la licuadora comercial de inmersión KitchenAid® para Puerto Rico para obtener detalles acerca de cómo obtener servicio.</p>
<b>KitchenAid pagará por:</b>	<p><b>A.</b> Daños causados por accidente, alteración, uso indebido o abuso.</p> <p><b>B.</b> Piezas de repuesto o costos de mano de obra para batidoras de inmersión operadas fuera de los 50 estados de Estados Unidos y el Distrito de Columbia.</p>
<p><b>EXCLUSIÓN DE GARANTÍAS IMPLÍCITAS; LIMITACIÓN DE RECURSOS</b></p> <p>LAS GARANTÍAS IMPLÍCITAS, INCLUYENDO EN LA MEDIDA QUE CORRESPONDA LAS GARANTÍAS DE COMERCIABILIDAD O DE CAPACIDAD PARA UN PROPÓSITO PARTICULAR, SON EXCLUIDAS EN LA MEDIDA EN QUE SEA LEGALMENTE PERMISIBLE. TODA GARANTÍA QUE SEA IMPUESTA POR LEY SERÁ LIMITADA A UN AÑO O AL PERÍODO MÁS CORTO PERMITIDO POR LEY. ALGUNOS ESTADOS Y PROVINCIAS NO PERMITEN LAS LIMITACIONES O EXCLUSIONES ACERCA DE CUÁNTO DEBE DURAR UNA GARANTÍA IMPLÍCITA DE COMERCIABILIDAD O CAPACIDAD, DE MODO QUE LAS LIMITACIONES O EXCLUSIONES ARRIBA MENCIONADAS PUEDEN NO APLICARSE EN SU CASO.</p> <p>SI ESTE PRODUCTO NO FUNCIONA COMO SE HA GARANTIZADO, EL ÚNICO Y EXCLUSIVO RECURSO DEL CLIENTE SERÁ EL DE REPARARLO O REEMPLAZARLO SEGÚN LOS TÉRMINOS DE ESTA GARANTÍA LIMITADA. KITCHENAID Y KITCHENAID CANADA NO SE RESPONSABILIZARÁN POR DAÑOS INCIDENTALES O CONSECUENTES. Esta garantía le otorga derechos legales específicos, y es posible que usted tenga también otros derechos, los cuales varían de un estado a otro o de una provincia a otra.</p>	

## Garantía de la batidora de inmersión KitchenAid® para Puerto Rico

---

La garantía limitada de dos años se extiende al comprador y cualquier dueño subsiguiente para las batidoras de inmersión operadas en Puerto Rico. Durante el período de la garantía, todo servicio deberá ser llevado a cabo por un Centro de servicio autorizado por KitchenAid. Traiga la licuadora comercial de inmersión o envíela con porte pagado por

adelantado y asegurado al centro de servicio autorizado más cercano. Llame sin cargo al **1-855-845-9684** para averiguar la ubicación del centro de servicio más cercano. Su licuadora comercial de inmersión reparada será retornada a usted con porte pagado adelantado y asegurado.

## Garantía de reemplazo sin dificultades – en los 50 estados de Estados Unidos y el Distrito de Columbia

---

Confiamos tanto en que la calidad de nuestros productos cumple con las exigentes normas de KitchenAid que, si la licuadora comercial de inmersión presentara alguna falla durante los primeros dos años de compra, KitchenAid hará arreglos para entregar un reemplazo idéntico o comparable a su domicilio sin cargo y arreglará la devolución de su licuadora comercial de inmersión original a nosotros. La unidad de reemplazo estará también cubierta por nuestra garantía limitada de dos años. Siga estas instrucciones para recibir este servicio de calidad.

Si su licuadora comercial de inmersión fallara durante los dos primeros de compra, sencillamente llame a nuestro Centro para la satisfacción del cliente, sin cargo, al **1-855-845-9684** de lunes a viernes, de 8 a.m. a 8 p.m. (hora del este). Proporcione al asesor su dirección de envío completa. (No proporcionar números de apartados postales)

Cuando usted reciba la licuadora comercial de inmersión de reemplazo, use el cartón y los materiales de empaque para empacar la licuadora comercial de inmersión original.

## Garantía de reemplazo sin dificultades - en Canadá

---

Confiamos tanto en que la calidad de nuestros productos cumple con las exigentes normas de KitchenAid que, si la licuadora comercial de inmersión presentara alguna falla durante los primeros dos años de compra, KitchenAid Canada reemplazará su licuadora comercial de inmersión con una idéntica o un reemplazo comparable. La unidad de reemplazo estará también cubierta por nuestra garantía limitada de dos años. Siga estas instrucciones para recibir este servicio de calidad.

Si su licuadora comercial de inmersión presentara alguna falla durante los primeros dos años de compra, llévela o envíela a cobro revertido a un Centro de servicio

autorizado por KitchenAid. En la caja, incluya su nombre y domicilio de envío completo en una hoja de papel junto con la copia del comprobante de compra (recibo de la caja registradora, recibo de pago de la tarjeta de crédito, etc.). Su licuadora comercial de inmersión de reemplazo será devuelta con porte pagado por adelantado y asegurado. Si no puede obtener un servicio satisfactorio de esta manera, llame a nuestro Centro de interacción del cliente, sin cargo, al **1-800-807-6777**.

O bien escríbanos a:  
Customer eXperience Center  
KitchenAid Canada  
200 - 6750 Century Ave.  
Mississauga, ON L5N 0B7

## Cómo obtener servicio técnico después de que expire la garantía o cómo pedir accesorios y piezas de repuesto

---

### En los Estados Unidos y Puerto Rico:

Para obtener información acerca del servicio técnico o para pedir accesorios o piezas de repuesto, llame sin costo al **1-855-845-9684** o escriba a:

Customer eXperience Center,  
KitchenAid Small Appliances,  
P.O. Box 218, St. Joseph, MI 49085-0218

### Fuera de los Estados Unidos y Puerto Rico:

Consulte a su distribuidor local de KitchenAid o a la tienda donde compró la licuadora comercial de inmersión dealimentos para obtener información sobre el servicio técnico.

### Para obtener información acerca del servicio en Canadá:

Llame sin costo al **1-800-807-6777**.

O bien escriba a:  
Customer eXperience Centre  
KitchenAid Canada  
200 - 6750 Century Ave.

**KitchenAid**<sup>®</sup>  
FOR THE WAY IT'S MADE.<sup>®</sup>

®/™ © 2014. All rights reserved.

®/™ © 2014. Tous droits réservés.

®/™ © 2014. Todos los derechos reservados.