



# 27" (68.6 cm) and 30" (76.2 cm) Electric Built-In Convection Microwave Oven

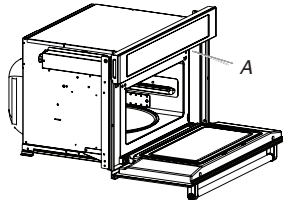
## PRODUCT MODEL NUMBERS

KMBP100E      KMBP107E

## ELECTRICAL CONNECTION

To properly install your microwave oven, you must determine the type of electrical connection you will be using and follow the instructions provided for it here.

- Microwave oven must be connected to the proper electrical voltage and frequency as specified on the model/serial/rating plate. The model/serial/rating plate is located underneath the control panel along the oven vent.



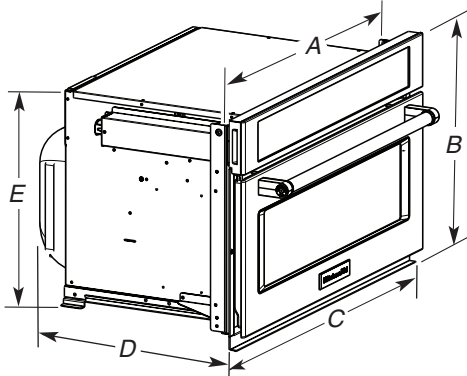
A. Model/serial/rating plate

- The microwave oven rated 120-/240-volt, 20-amp, has 4 wires (L1, L2, N, and G) in the flex conduit and should be connected to a 20-amp maximum-rated circuit, overcurrent protected on both the L1 and L2 circuits.

- A time-delay fuse or circuit breaker is recommended.

## PRODUCT DIMENSIONS

### 27" (68.6 cm) and 30" (76.2 cm) Microwave Ovens



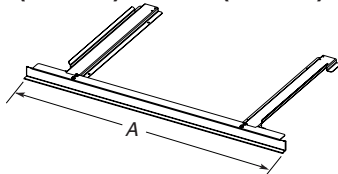
#### 27" (68.6 cm) models

- A. 25<sup>3</sup>/<sub>8</sub>" (64.5 cm)
- B. 18<sup>5</sup>/<sub>8</sub>" (47.3 cm) overall height
- C. 26<sup>3</sup>/<sub>4</sub>" (68.0 cm) overall width
- D. 21<sup>1</sup>/<sub>2</sub>" (54.6 cm)
- E. 17<sup>3</sup>/<sub>8</sub>" (44.1 cm)

#### 30" (76.2 cm) models

- A. 28<sup>3</sup>/<sub>8</sub>" (72.1 cm)
- B. 18<sup>5</sup>/<sub>8</sub>" (47.3 cm) overall height
- C. 29<sup>3</sup>/<sub>4</sub>" (75.6 cm) overall width
- D. 21<sup>1</sup>/<sub>2</sub>" (54.6 cm)
- E. 17<sup>3</sup>/<sub>8</sub>" (44.1 cm)

### 27" (68.6 cm) and 30" (76.2 cm) Microwave Oven Spacer Kit



#### 27" (68.6 cm) models

- A. 26<sup>3</sup>/<sub>4</sub>" (67.9 cm) overall width

#### 30" (76.2 cm) models

- A. 29<sup>3</sup>/<sub>4</sub>" (75.6 cm) overall width

**NOTE:** The microwave oven spacer kit will allow the microwave oven to be installed in a 17<sup>3</sup>/<sub>8</sub>" to 17<sup>3</sup>/<sub>4</sub>" (44.1 cm to 45.1 cm) maximum cutout height.

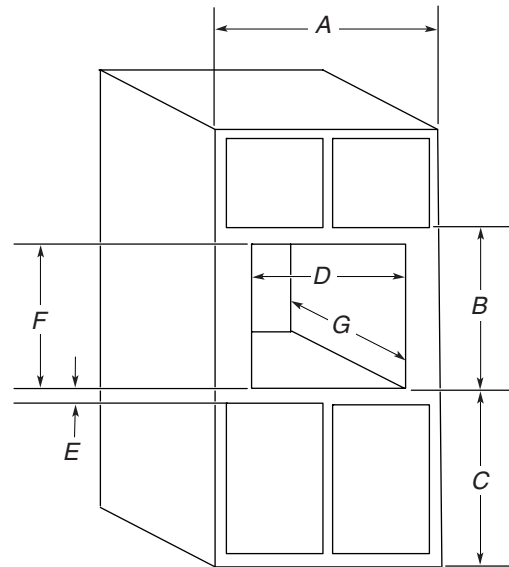
A microwave oven spacer kit is available from your dealer that will allow the microwave oven to be installed in a 19<sup>1</sup>/<sub>4</sub>" to 19<sup>11</sup>/<sub>16</sub>" (48.9 cm to 50.0 cm) maximum cutout height. Match the oven size to the following kits:

- 27" (68.6 cm) Stainless steel - Spacer Kit W10469901
- 30" (76.2 cm) Stainless steel - Spacer Kit W10469903
- 27" (68.6 cm) Black stainless steel - Spacer Kit W10842586
- 30" (76.2 cm) Black stainless steel - Spacer Kit W10842584

To order, see the "Assistance or Service" section of the Use and Care Guide.

## CABINET DIMENSIONS

### 27" (68.6 cm) and 30" (76.2 cm) Microwave Ovens



#### 27" (68.6 cm) models

- A. 27" (68.6 cm) min. cabinet width
- B. 18<sup>5</sup>/<sub>8</sub>" (47.3 cm) from bottom of cutout to bottom of upper cabinet door
- C. 40" (101.6 cm) bottom of cutout to floor (recommended)
- D. 25<sup>1</sup>/<sub>2</sub>" (64.8 cm) cutout width
- E. 1<sup>1</sup>/<sub>2</sub>" (3.8 cm) min. bottom of cutout to top of cabinet door
- F. 17<sup>3</sup>/<sub>8</sub>" (44.7 cm) recommended cutout height (will fit cutout height from 17<sup>3</sup>/<sub>8</sub>" [44.1 cm] to 17<sup>3</sup>/<sub>4</sub>" [45.1 cm])
- G. 21<sup>7</sup>/<sub>8</sub>" (55.5 cm) min. cutout depth

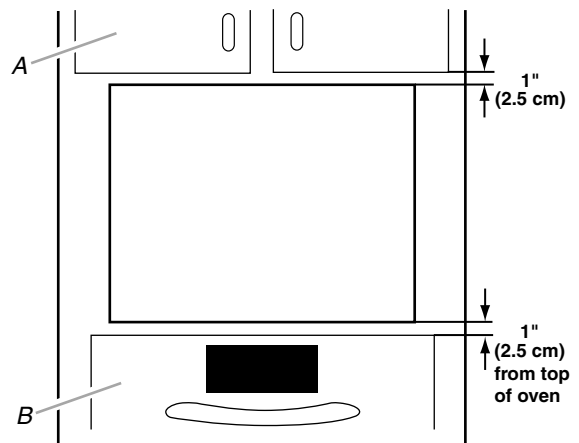
#### 30" (76.2 cm) models

- A. 30" (76.2 cm) min. cabinet width
- B. 18<sup>5</sup>/<sub>8</sub>" (47.3 cm) from bottom of cutout to bottom of upper cabinet door
- C. 40" (101.6 cm) bottom of cutout to floor (recommended)
- D. 28<sup>1</sup>/<sub>2</sub>" (72.4 cm) cutout width
- E. 1<sup>1</sup>/<sub>2</sub>" (3.8 cm) min. bottom of cutout to top of cabinet door
- F. 17<sup>3</sup>/<sub>8</sub>" (44.7 cm) recommended cutout height (will fit cutout height from 17<sup>3</sup>/<sub>8</sub>" [44.1 cm] to 17<sup>3</sup>/<sub>4</sub>" [45.1 cm])
- G. 21<sup>7</sup>/<sub>8</sub>" (55.5 cm) min. cutout depth

## MINIMUM INSTALLATION CLEARANCES

For proper installation, the following minimum clearances must exist above and below the cabinet opening.

### Installation Above Single Built-In Oven



A. Upper cabinet  
B. Lower single oven

Approved models: KMBP100E and KMBP107E