

# INSTALLATION INSTRUCTIONS 27" (68.6 CM) AND 30" (76.2 CM) ELECTRIC SINGLE AND DOUBLE BUILT-IN OVEN FLUSH INSTALLATION KIT

## INSTRUCTIONS D'INSTALLATION ENSEMBLE D'INSTALLATION EN AFFLEUREMENT POUR FOUR ÉLECTRIQUE ENCASTRÉ SIMPLE ET DOUBLE DE 27" (68,6 CM) ET 30" (76,2 CM)

Flush Installation Kit Part Number Ensemble d'installation en affleurement référence	Size and Color Dimensions et couleur	UL Listed for Model Numbers Homologation UL pour les modèles numéro
W11173685	27" (68.6 cm), black 27" (66,6 cm), noir	KODE507EBL, KOSE507EBL
W10752684	27" (68.6 cm), white 27" (68,6 cm), blanc	KODE507EWH, KOSE507EWH
W11173693	27" (68.6 cm), stainless steel 27" (68,6 cm), acier inoxydable	KODT107ESS, KOST107ESS, KODE307ESS, KODE507ESS, KOSE507ESS
W10889258	27" (68.6 cm), black stainless 27" (68,6 cm), noir inoxydable	KOSE507EBS, KODE507EBS
W11173691	30" (76.2 cm), black 30" (76,2 cm), noir	KODE500EBL, KOSE500EBL
W11173703	30" (76.2 cm), black stainless 30" (76,2 cm), noir inoxydable	KODE500EBS, KOSE500EBS
W11173683	30" (76.2 cm), white 30" (76,2 cm), blanc	KODE500EWH, KOSE500EWH
W11123003	30" (76.2 cm), stainless steel 30" (76,2 cm), acier inoxydable	KODT100ESS, KOST100ESS, KODE300ESS, KODE500ESS, KOSE500ESS

### Table of Contents/Table des matières

<b>BUILT-IN OVEN SAFETY</b> .....	<b>2</b>	<b>SÉCURITÉ DU FOUR ENCASTRÉ</b> .....	<b>10</b>
<b>INSTALLATION REQUIREMENTS</b> .....	<b>2</b>	<b>EXIGENCES D'INSTALLATION</b> .....	<b>11</b>
Tools and Parts.....	2	Outillage et pièces.....	11
Location Requirements.....	2	Exigences d'emplacement.....	11
<b>INSTALLATION INSTRUCTIONS</b> .....	<b>5</b>	<b>INSTRUCTIONS D'INSTALLATION</b> .....	<b>14</b>
Prepare Built-In Oven.....	5	Préparation du four encastré .....	14
Remove Oven Door(s).....	5	Dépose de la/des porte(s) du four .....	14
Replace Oven Door(s).....	6	Réinstallation de la/des porte(s) du four .....	14
Positioning Oven Feet.....	6	Positionnement des pieds du four.....	15
Replace Plastic Spacers .....	7	Remplacement des cales d'espacement en plastique .....	16
Install Oven.....	8	Installation du four.....	17
Install Deflector Kit Bracket .....	9	Installation du support de la trousse du déflecteur.....	18
Complete Installation .....	9	Achever l'installation .....	19

#### IMPORTANT:

Save for local electrical inspector's use.

#### IMPORTANT :

À conserver pour consultation par l'inspecteur local des installations électriques.

# BUILT-IN OVEN SAFETY

## Your safety and the safety of others are very important.

We have provided many important safety messages in this manual and on your appliance. Always read and obey all safety messages.



This is the safety alert symbol.

This symbol alerts you to potential hazards that can kill or hurt you and others.

All safety messages will follow the safety alert symbol and either the word "DANGER" or "WARNING."

These words mean:

**⚠ DANGER**

**You can be killed or seriously injured if you don't immediately follow instructions.**

**⚠ WARNING**

**You can be killed or seriously injured if you don't follow instructions.**

All safety messages will tell you what the potential hazard is, tell you how to reduce the chance of injury, and tell you what can happen if the instructions are not followed.

## INSTALLATION REQUIREMENTS

### Tools and Parts

Gather the required tools and parts before starting installation. Read and follow the instructions provided with any tools listed here.

#### Tools Needed

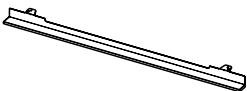
- Phillips screwdriver
- Measuring tape
- Drill (for wall cabinet installations)
- 1/8" (3 mm) drill bit (for wall cabinet installations)
- Level
- Flat-blade screwdriver

#### Parts Needed

- #8-14 x 1" (2.5 cm) screws - (2) single ovens, (4) double ovens included with built-in oven
- (2) #8-18 x 3/8" (9.5 mm) screws - bottom vent included with built-in oven
- (4) #8-18 x 3/8" (9.5 mm) screws - double oven feet included with built-in oven
- Bottom vent included with built-in oven
- (2) feet double oven included with built-in oven
- (2) front feet double oven included with built-in oven

#### Parts Supplied

- Deflector bracket



- Plastic spacers - (2) single ovens, (4) double ovens



- #8-18 x 1/8" (3 mm) screws - (2) for 27" (68.6 cm) models, (4) for 30" (76.2 cm) models

### Location Requirements

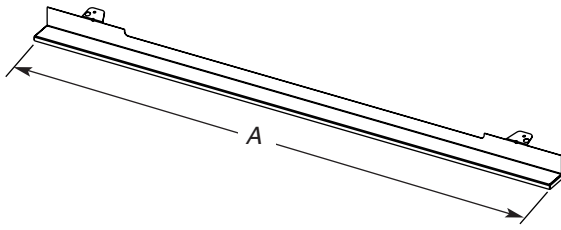
**IMPORTANT:** Observe all governing codes and ordinances.

**NOTE:** Refer to the following "Location Requirements" and the "Location Requirements" section of the Installation Instructions provided with your built-in oven.

- Cabinet opening dimensions that are shown must be used. Given dimensions provide minimum clearance with oven.
- Recessed installation area must provide complete enclosure around the recessed portion of the oven.
- Oven support surface must be solid, level, and flush with bottom of cabinet cutout.
- Floor must be able to support a single oven weight of 129 lbs (59 kg) for 27" (68.6 cm) models or 154 lbs (70 kg) for 30" (76.2 cm) models.
- Floor must be able to support a double oven weight of 251 lbs (114 kg) for 27" (68.6 cm) models or 288 lbs (131 kg) for 30" (76.2 cm) models.

**IMPORTANT:** To avoid damage to your cabinets, check with your builder or cabinet supplier to make sure that the materials used will not discolor, delaminate, or sustain other damage. This oven has been designed in accordance with the requirements of UL and CSA International and complies with the maximum allowable wood cabinet temperatures of 194°F (90°C).

## Deflector Bracket Dimensions

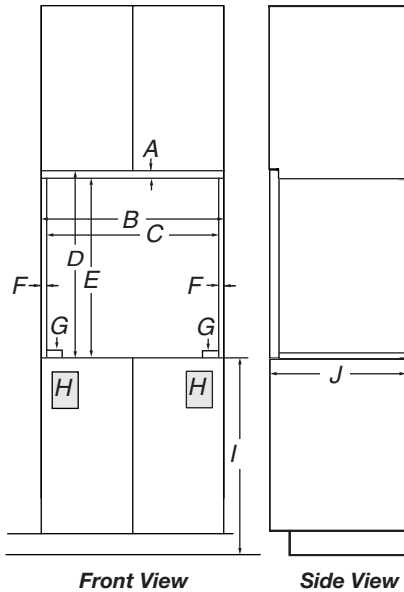


- 27" (68.6 cm) Models**      **30" (76.2 cm) Models**  
 A. 26<sup>15</sup>/<sub>16</sub>" (68.4 cm) overall width      A. 29<sup>15</sup>/<sub>16</sub>" (76.0 cm) overall width

## Cabinet Dimensions - Single Ovens, Flush Installations

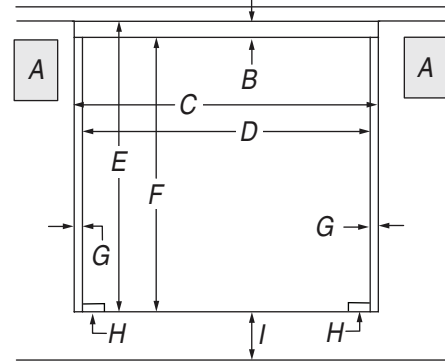
A 25" (63.5 cm) minimum cutout depth is required. These dimensions will result in a 1/4" (6 mm) reveal on the top, a 1/4" (6 mm) reveal on the sides, and a 1/8" (3 mm) reveal on the bottom of the wall oven. The front face of the cleats and platform will be visible and should be treated as a finished surface.

### Single Ovens Installed in Cabinet - Flush Installation



- | <b>27" (68.6 cm) Models</b>  | <b>30" (76.2 cm) Models</b>  |
|--|--|
| A. 3/4" (1.9 cm) top cleat*  | A. 3/4" (1.9 cm) top cleat*  |
| B. 27 <sup>1</sup> / <sub>4</sub> " (69.2 cm) minimum width of flush inset cutout      | B. 30 <sup>1</sup> / <sub>4</sub> " (76.8 cm) minimum width of flush inset cutout      |
| C. 25 <sup>7</sup> / <sub>8</sub> " (65.7 cm) minimum width of opening                 | C. 28 <sup>7</sup> / <sub>8</sub> " (73.3 cm) minimum width of opening                 |
| D. 29 <sup>1</sup> / <sub>4</sub> " (74.3 cm) minimum height of flush inset cutout     | D. 29 <sup>1</sup> / <sub>4</sub> " (74.3 cm) minimum height of flush inset cutout     |
| E. 28 <sup>1</sup> / <sub>2</sub> " (72.4 cm) recommended cutout height                | E. 28 <sup>1</sup> / <sub>2</sub> " (72.4 cm) recommended cutout height                |
| F. 11/16" (1.7 cm) side cleat*   | F. 11/16" (1.7 cm) side cleat*   |
| G. 1/2" x 2" (1.3 cm x 5.1 cm) spacer the entire depth of the cutout*                  | G. 1/2" x 2" (1.3 cm x 5.1 cm) spacer the entire depth of the cutout*                  |
| H. Recommended junction box location   | H. Recommended junction box location   |
| I. 4 <sup>5</sup> / <sub>8</sub> " - 32" (11.7 cm - 81.3 cm) bottom of cutout to floor | I. 4 <sup>5</sup> / <sub>8</sub> " - 32" (11.7 cm - 81.3 cm) bottom of cutout to floor |
| J. 25" (63.5 cm) minimum depth of cutout   | J. 25" (63.5 cm) minimum depth of cutout   |

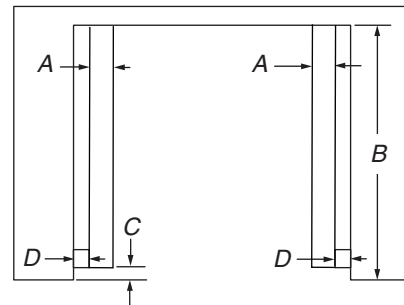
## Single Ovens Undercounter - Flush Installations (without cooktop installed above)



Front View

- | <b>27" (68.6 cm) Models</b>  | <b>30" (76.2 cm) Models</b>  |
|--|--|
| A. Recommended junction box location   | A. Recommended junction box location   |
| B. 3/4" (1.9 cm) top cleat*  | B. 3/4" (1.9 cm) top cleat*  |
| C. 27 <sup>1</sup> / <sub>4</sub> " (69.2 cm) minimum width of flush inset cutout  | C. 30 <sup>1</sup> / <sub>4</sub> " (76.8 cm) minimum width of flush inset cutout  |
| D. 25 <sup>7</sup> / <sub>8</sub> " (65.7 cm) minimum width of opening             | D. 28 <sup>7</sup> / <sub>8</sub> " (73.3 cm) minimum width of opening             |
| E. 29 <sup>1</sup> / <sub>4</sub> " (74.3 cm) minimum height of flush inset cutout | E. 29 <sup>1</sup> / <sub>4</sub> " (74.3 cm) minimum height of flush inset cutout |
| F. 28 <sup>1</sup> / <sub>2</sub> " (72.4 cm) recommended cutout height            | F. 28 <sup>1</sup> / <sub>2</sub> " (72.4 cm) recommended cutout height            |
| G. 5/8" (1.7 cm) side cleat*   | G. 11/16" (1.7 cm) side cleat*   |
| H. 1/2" x 2" (1.3 cm x 5.1 cm) spacer the entire depth of the cabinet*             | H. 1/2" x 2" (1.3 cm x 5.1 cm) spacer the entire depth of the cabinet*             |
| I. 4 <sup>5</sup> / <sub>8</sub> " (11.7 cm) bottom of cutout to floor             | I. 4 <sup>5</sup> / <sub>8</sub> " (11.7 cm) bottom of cutout to floor             |

\* Cleats and spacers must be recessed 1<sup>3</sup>/<sub>8</sub>" (3.5 cm) from the front of the cabinet.



Top View

- | <b>27" (68.6 cm) Models</b>  | <b>30" (76.2 cm) Models</b>  |
|--|--|
| A. 1/2" x 2" (1.3 cm x 5.1 cm) spacer the entire depth of the cutout*    | A. 1/2" x 2" (1.3 cm x 5.1 cm) spacer the entire depth of the cutout*    |
| B. 25" (63.5 cm) depth of cutout   | B. 25" (63.5 cm) depth of cutout   |
| C. 1 <sup>3</sup> / <sub>8</sub> " (3.5 cm) recess from front of cabinet | C. 1 <sup>3</sup> / <sub>8</sub> " (3.5 cm) recess from front of cabinet |
| D. 11/16" (1.7 cm) side cleat*   | D. 11/16" (1.7 cm) side cleat*   |

\* Cleats and spacers must be recessed 1<sup>3</sup>/<sub>8</sub>" (3.5 cm) from the front of the cabinet.

\* Cleats and spacers must be recessed 1<sup>3</sup>/<sub>8</sub>" (3.5 cm) from the front of the cabinet.

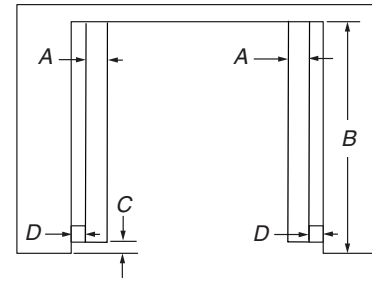
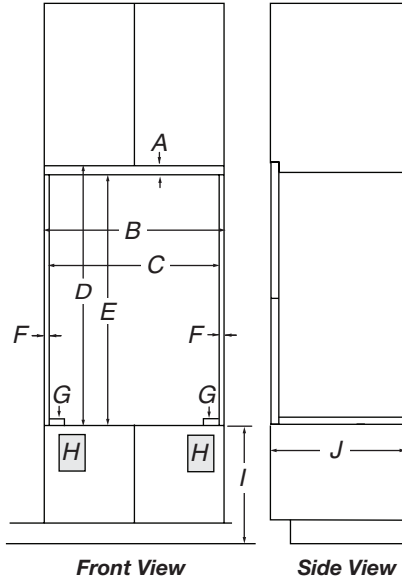
## Cabinet Dimensions - Double Ovens, Flush Installations

A  $25\frac{3}{8}$ " (64.4 cm) minimum cutout depth is required.

These dimensions will result in a  $\frac{1}{4}$ " (6 mm) reveal on the top, a  $\frac{1}{4}$ " (6 mm) reveal on the sides, and a  $\frac{1}{8}$ " (3 mm) reveal on the bottom of the wall oven.

The front face of the cleats and platform will be visible and should be treated as a finished surface.

### Double Ovens Installed in Cabinet - Flush Installations



Top View

#### 27" (68.6 cm) Models

A.  $\frac{1}{2}$ " x 2" (1.3 cm x 5.1 cm) spacer the entire depth of the cutout\*

B.  $25\frac{3}{8}$ " (64.4 cm) depth of cutout

C.  $1\frac{3}{8}$ " (3.5 cm) recess from front of cabinet

D.  $11\frac{1}{16}$ " (1.7 cm) side cleat\*

#### 30" (76.2 cm) Models

A.  $\frac{1}{2}$ " x 2" (1.3 cm x 5.1 cm) spacer the entire depth of the cutout\*

B.  $25\frac{3}{8}$ " (64.4 cm) depth of cutout

C.  $1\frac{3}{8}$ " (3.5 cm) recess from front of cabinet

D.  $11\frac{1}{16}$ " (1.7 cm) side cleat\*

\* Cleats and spacers must be recessed  $1\frac{3}{8}$ " (3.5 cm) from the front of the cabinet.

#### 27" (68.6 cm) Models

A.  $9\frac{1}{16}$ " (1.4 cm) top cleat\*

B.  $27\frac{1}{4}$ " (69.2 cm) minimum width of flush inset cutout

C.  $25\frac{7}{8}$ " (65.7 cm) minimum width of opening

D. 52" (132.1 cm) minimum height of flush inset cutout

E.  $51\frac{7}{16}$ " (130.6 cm) recommended cutout height

F.  $11\frac{1}{16}$ " (1.7 cm) side cleat\*

G.  $\frac{1}{2}$ " x 2" (1.3 cm x 5.1 cm) spacer the entire depth of the cutout\*

H. Recommended junction box location

I.  $4\frac{5}{8}$ " -  $14\frac{3}{4}$ " (11.7 cm - 37.5 cm) bottom of cutout to floor

J.  $25\frac{3}{8}$ " (64.4 cm) minimum depth of cutout

#### 30" (76.2 cm) Models

A.  $9\frac{1}{16}$ " (1.4 cm) top cleat\*

B.  $30\frac{1}{4}$ " (76.8 cm) minimum width of flush inset cutout

C.  $28\frac{7}{8}$ " (73.3 cm) minimum width of opening

D. 52" (132.1 cm) minimum height of flush inset cutout

E.  $51\frac{7}{16}$ " (130.6 cm) recommended cutout height

F.  $11\frac{1}{16}$ " (1.7 cm) side cleat\*

G.  $\frac{1}{2}$ " x 2" (1.3 cm x 5.1 cm) spacer the entire depth of the cutout\*

H. Recommended junction box location

I.  $4\frac{5}{8}$ " -  $14\frac{3}{4}$ " (11.7 cm - 37.5 cm) bottom of cutout to floor

J.  $25\frac{3}{8}$ " (64.4 cm) minimum depth of cutout

\* Cleats and spacers must be recessed  $1\frac{3}{8}$ " (3.5 cm) from the front of the cabinet.

# INSTALLATION INSTRUCTIONS

## Prepare Built-In Oven

### NOTES:

- Refer to the following “Installation Instructions” and the “Installation Instructions” section of the Installation Instructions provided with your built-in oven.
  - Refer and adhere to the “Electrical Requirements” section, and complete the instructions in the “Make Electrical Connection” section of the Installation Instructions provided with your built-in oven.
1. Decide on the final location for the oven. Avoid drilling or cutting into house wiring during installation.

## **⚠ WARNING**

### **Excessive Weight Hazard**

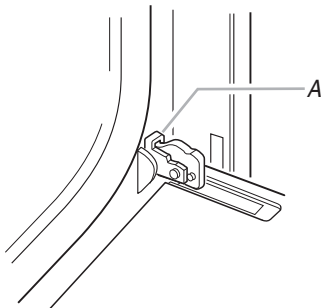
**Use two or more people to move and install oven.  
Failure to do so can result in back or other injury.**

2. To avoid floor damage, set the oven onto cardboard prior to installation. Do not use handle or any portion of the front frame for lifting.
3. Remove the shipping materials and tape from the oven. Remember to keep the corner posts and other materials that may be needed for installation.
4. Remove the hardware package from inside the bag containing literature.
5. Move oven and cardboard close to the oven’s final location.

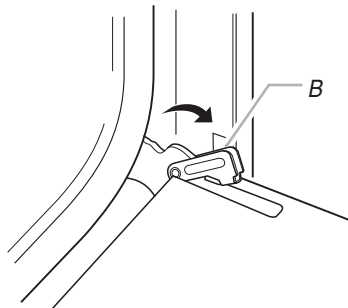
## Remove Oven Door(s)

**IMPORTANT:** Use two hands to remove oven door(s).

1. Prior to removing the oven door, prepare a surface where you will place it. This surface should be flat and covered with a soft blanket, or use the corner posts from your packaging material.
2. Open the oven door.
3. Locate the oven door hinge locks in both corners of the oven door, and rotate the hinge locks toward the oven door to the unlocked position. If the door hinge lock is not rotated fully (see illustration B), the door will not remove properly.

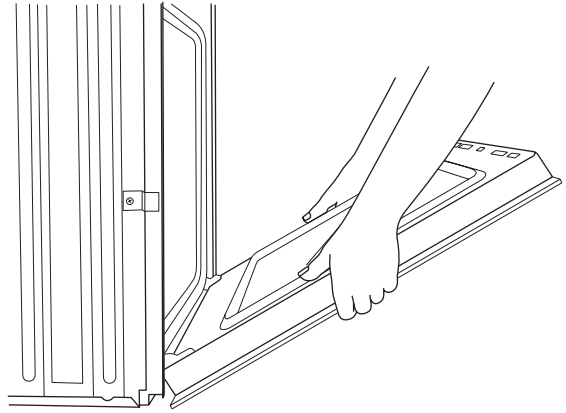


A. Oven door hinge lock in locked position

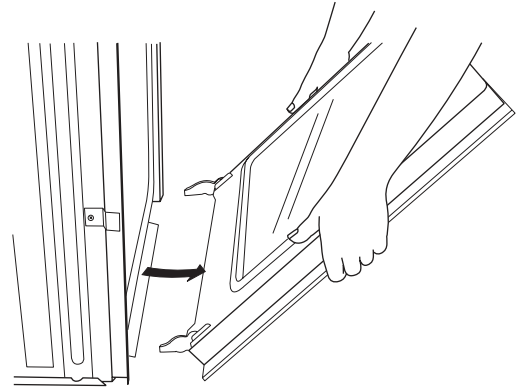


B. Oven door hinge lock in partially unlocked position

4. Partially close the door to engage the door latch locks. The door will stop at this point.



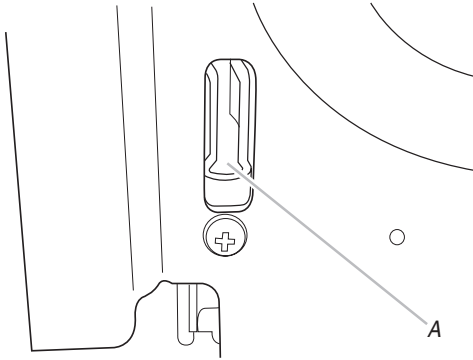
5. Using two hands, grasp the edges of the oven door. Lift and pull the oven door toward you, and remove. You may need to gently shift door from side to side as you pull.



6. Set the oven door(s) aside on the prepared covered work surface with the oven door resting on its handle.
7. To continue with the oven installation, go to the “Positioning Oven Feet” section.

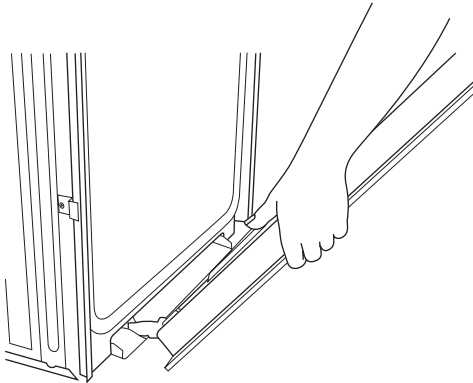
## Replace Oven Door(s)

1. Using two hands, grasp side edges of door at the midpoint. Face the oven cavity.
2. Locate the slots on each side of the oven cavity for the door hinge locks.



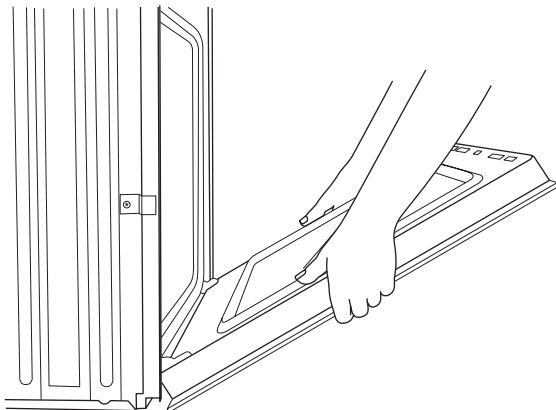
A. Slot in the oven cavity for door hinge lock

3. At a 45° angle, align door hinges with slots in the lower front of the oven cavity. Slowly insert door, making sure you maintain the 45° angle. You will know the door is engaged in the slot when you feel a slight drop.



4. Lower the oven door to the fully open position. If the oven door does not open to a full 90 degrees, repeat steps 1 through 3.
5. Locate the oven door hinge locks in the corners of the oven door, and rotate the hinge locks toward the oven cavity to the locked position.

See Step 3 (illustration A) in the “Remove Oven Door(s)” section for proper locked position.



6. Close the oven door.
7. When the hinges are properly installed and the door closed, there should be an even gap between the door and the control panel. If one side of the oven door is hanging lower than the other, the hinge on that side is not properly installed. Repeat the steps to remove, then replace the oven door. See the “Remove Oven Door(s)” and “Replace Oven Door(s)” sections.

## Positioning Oven Feet

### Single Ovens

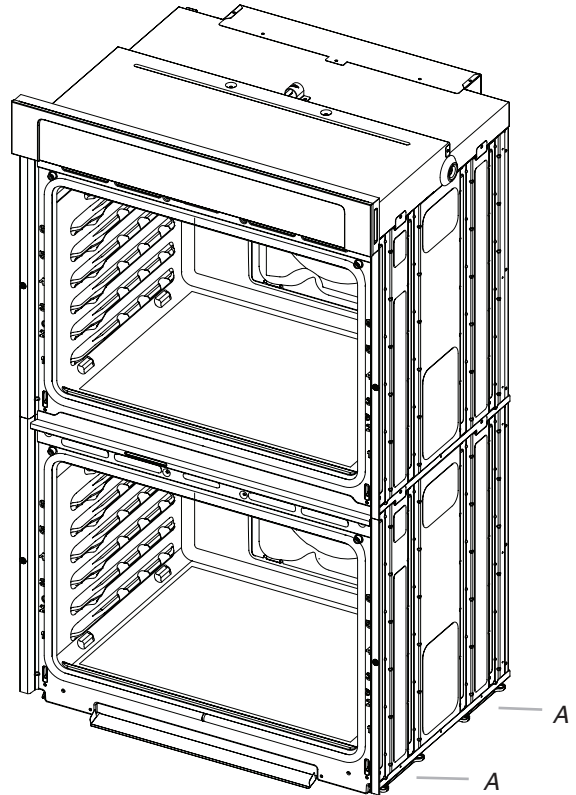
The positioning of the oven feet allows a single oven to be installed in a recommended cutout height of 28<sup>1</sup>/<sub>2</sub>" (72.4 cm).

Go to the “Make Electrical Connection” section in the Installation Instructions provided with your built-in oven.

### Double Ovens

The oven feet need to be installed to allow a double oven to be installed in a recommended cutout height of 51<sup>7</sup>/<sub>16</sub>" (130.6 cm).

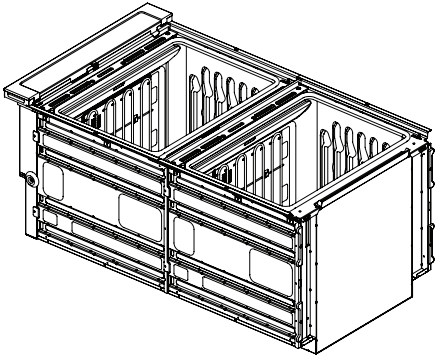
**NOTE:** Do not remove the spacers.



A. Spacers

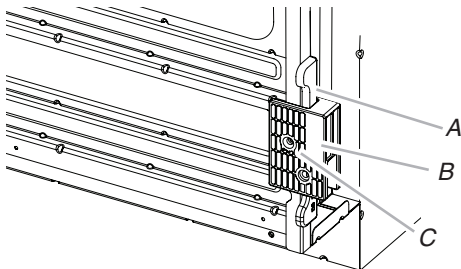


- Using 2 or more people, place the oven on its back on a covered surface.



- Install a foot on the left rear spacer using a #8-18 x 3/8" (9.5 mm) screw.

**NOTE:** Position the foot so the long side of the foot is facing toward the top of the oven.

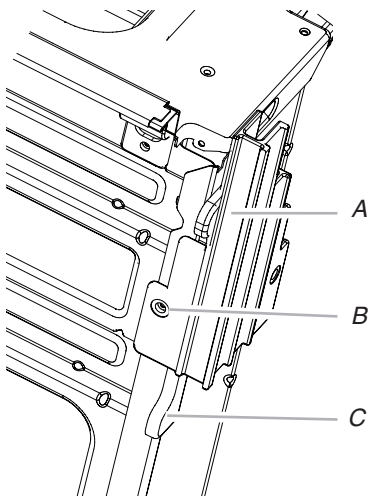


- A. Spacer
- B. Foot
- C. #8-18 x 3/8" (9.5 mm) screw

- In the same manner, install a foot on the right rear of the oven.

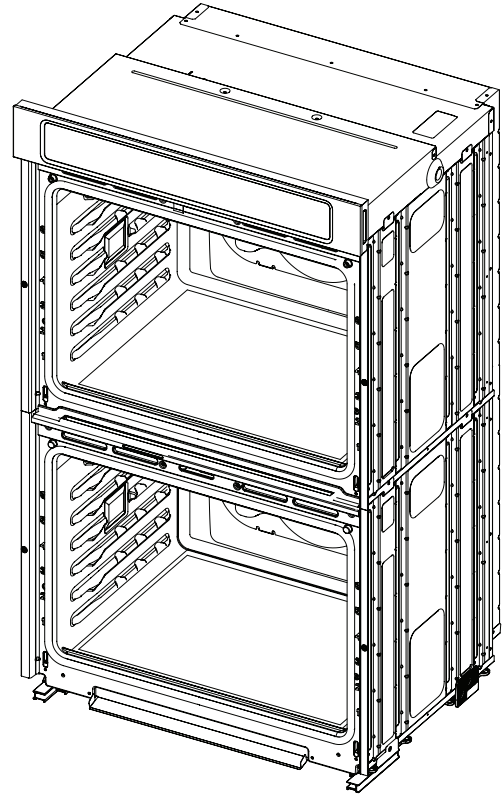
- Install a front foot on the left front spacer using a #8-18 x 3/8" (9.5 mm) screw.

**NOTE:** Position the foot so the long side of the foot is facing toward the inside of the oven.



- A. Front foot
- B. #8-18 x 3/8" (9.5 mm) screw
- C. Spacer

- In the same manner, install a front foot on the right front of the oven.
- Using 2 or more people, place the oven in its upright position.

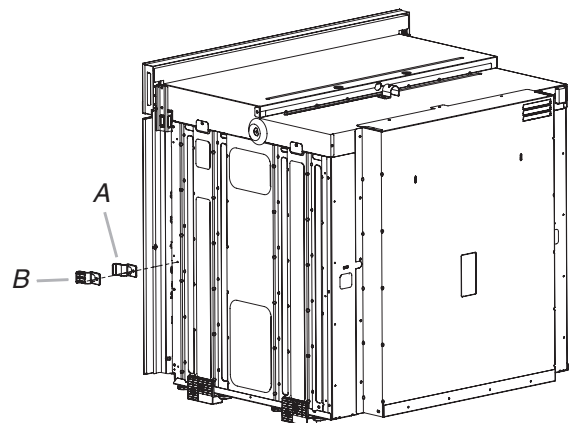


- Go to the "Make Electrical Connection" section in the Installation Instructions provided with your built-in oven.

## Replace Plastic Spacers

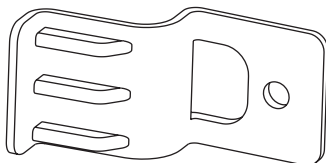
### Replace Plastic Spacers on Single Ovens

- Remove the screw attaching the plastic spacer (A) to the right side of the oven.
- Using the screw removed, install a new plastic spacer (B) provided with this kit.



- A. Plastic spacer
- B. New plastic spacer

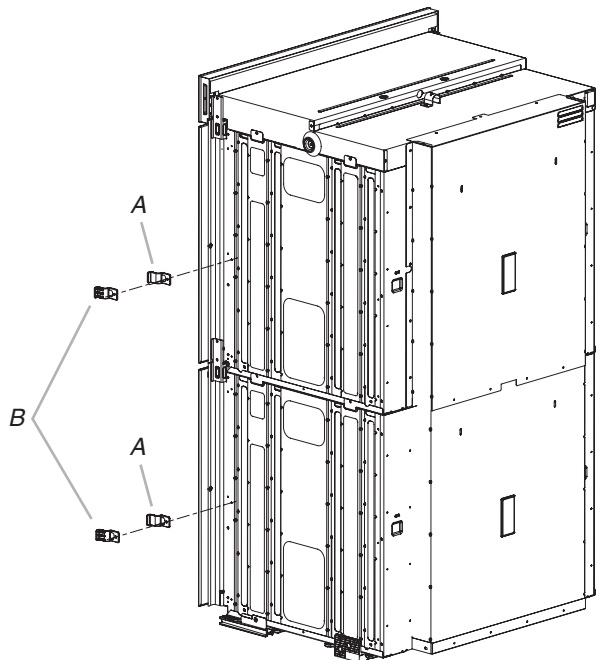
3. In the same manner, remove and replace the plastic spacer on the left side of the oven.



*New plastic spacer*

### Replace Plastic Spacers on Double Ovens

1. Remove the 2 screws, 1 in each spacer, attaching the 2 plastic spacers (A) to the right side of the oven.
2. Using the 2 screws removed, install 2 new plastic spacers (B) provided with this kit.



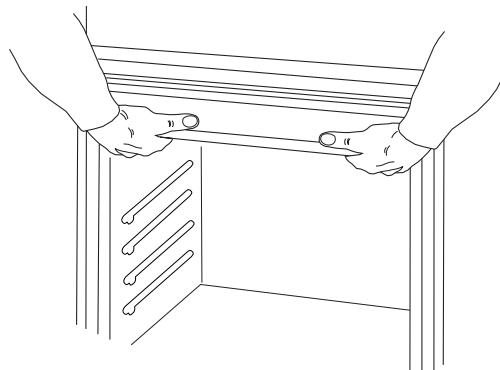
*A. Plastic spacer  
B. New plastic spacer*

3. In the same manner, remove and replace the 2 plastic spacers on the left side of the oven.

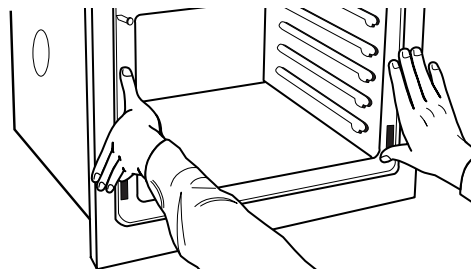
### Install Oven

1. Using 2 or more people, lift the oven partially into the cabinet cutout. Use the oven opening as an area to grip.

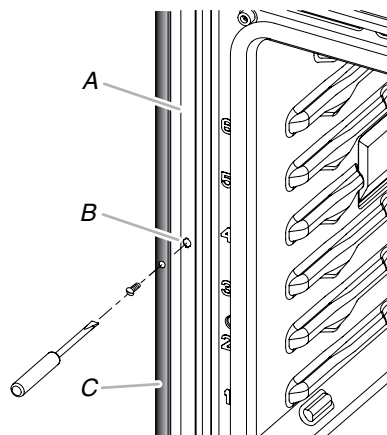
**NOTE:** When pushing the microwave oven into the cabinet, open the microwave oven door and push against the seal area on the front frame. Do not push against the outside edges.



2. Push against the front frame of the microwave oven to push oven into cabinet. Push microwave oven completely into cabinet and center in cabinet cutout.



3. Push the oven completely into the cabinet, and center the oven into the cabinet cutout.
4. Remove the tape from the black front trim piece.
  - Securely fasten the oven to the cabinet using the #8-14 x 3/4" (1.9 cm) screws provided.
  - Insert the screws through the hole in the black trim piece, aligning with the hole in the oven frame. Do not overtighten the screws.



*A. Oven frame  
B. Oven frame hole  
C. Black trim piece*

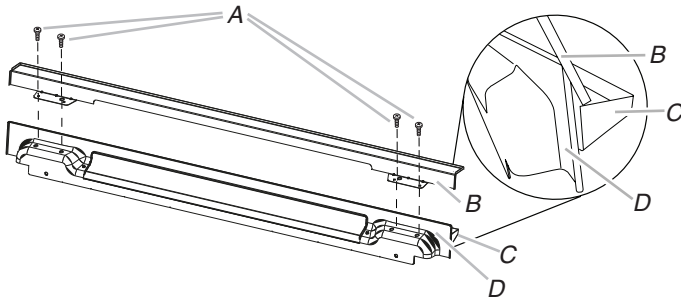


## Install Deflector Kit Bracket

This assembly is required for use when a single or double built-in oven is installed in a flush installation.

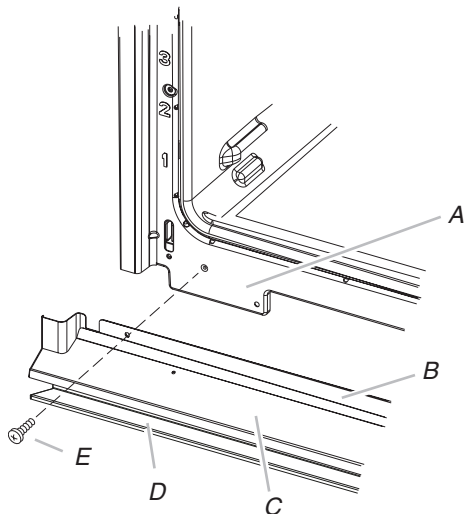
1. Flex the upper vent piece (C) away from the lower vent piece (D) to slide the deflector bracket (B) between them. Some force may be required to flex the upper vent trim (C) away from the lower vent trim (D). Some force may also be required to flex the deflector bracket (B) and slide it into position. Make sure screw holes are properly aligned between the two pieces. See the following illustration.
2. Install the deflector bracket (B) to the lower vent piece (D) using two #8-18 x 1/4" (6 mm) screws on each side.

**NOTE:** On 27" (68.6 cm) models, only one #8-18 x 1/4" (6 mm) screw is used on each side.



- A. #8-18 x 1/4" (6 mm) screws  
 B. Deflector bracket  
 C. Upper vent piece (supplied with oven)  
 D. Lower vent piece (supplied with oven)

3. Align vent tab (B) with oven frame (A) as shown in the following illustration.
4. Using one #8-18 x 3/8" (9.5 mm) screw (E) on each side of the vent tab (B), fasten the vent securely to the oven.



- A. Oven frame  
 B. Vent tab  
 C. Oven vent  
 D. Deflector bracket  
 E. #8-18 x 3/8" (9.5 mm) screw

5. Replace the oven racks.
6. Replace the oven door. See the "Replace Oven Door(s)" section.
7. Check that the door is free to open and close. If it is not, repeat the removal and installation procedures. See the "Prepare Built-In Oven" section.
8. Repeat for lower oven door.
9. Reconnect power.
10. The display panel will light briefly, and "PF" should appear in the display.
11. If the display panel does not light, refer to the "Assistance or Service" section of the Use and Care Guide provided with your built-in oven or contact the dealer from whom you purchased your oven.

## Complete Installation

1. Check that all parts are now installed. If there is an extra part, go back through the steps to see which step was skipped.
2. Check that you have all of your tools.
3. Dispose of/recycle all packaging materials.
4. For oven use and cleaning, read the Use and Care Guide.

### Check Operation of Single and Double Ovens

1. Turn on power.
2. At first use, set up the clock and any other preferences if available. For more information, read the Use and Care Guide.
3. Press BROIL on single oven models.  
**NOTE:** Press UPPER BROIL or LOWER BROIL on double oven models.
4. Set the temperature.
5. Press START.

#### If oven(s) does not operate, check the following:

- Household fuse is intact and tight, or circuit breaker has not tripped.
  - Electrical supply is connected.
  - See the "Troubleshooting" section in the Use and Care Guide.
6. When oven has been on for 5 minutes, feel for heat. If you do not feel heat or if an error message appears in the display, turn off the oven and contact a qualified technician.
  7. Press UPPER CANCEL/LOWER CANCEL on double ovens, or press CANCEL on single ovens.

#### If you need Assistance or Service:

Please reference the "Assistance or Service" section of the Use and Care Guide or contact the dealer from whom you purchased your built-in oven.

# SÉCURITÉ DU FOUR ENCASTRÉ

## Votre sécurité et celle des autres est très importante.

Nous donnons de nombreux messages de sécurité importants dans ce manuel et sur votre appareil ménager. Assurez-vous de toujours lire tous les messages de sécurité et de vous y conformer.



Voici le symbole d'alerte de sécurité.

Ce symbole d'alerte de sécurité vous signale les dangers potentiels de décès et de blessures graves à vous et à d'autres.

Tous les messages de sécurité suivront le symbole d'alerte de sécurité et le mot "DANGER" ou "AVERTISSEMENT". Ces mots signifient :

**⚠ DANGER**

**Risque possible de décès ou de blessure grave si vous ne suivez pas immédiatement les instructions.**

**⚠ AVERTISSEMENT**

**Risque possible de décès ou de blessure grave si vous ne suivez pas les instructions.**

Tous les messages de sécurité vous diront quel est le danger potentiel et vous disent comment réduire le risque de blessure et ce qui peut se produire en cas de non-respect des instructions.

# EXIGENCES D'INSTALLATION

## Outillage et pièces

Rassembler les outils et pièces nécessaires avant d'entreprendre l'installation. Lire et observer les instructions fournies avec chacun des outils de la liste ci-dessous.

### Outils nécessaires

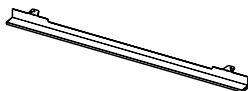
- Tournevis Phillips
- Mètre ruban
- Perceuse (pour l'installation dans un placard mural)
- Foret de 1/8" (3 mm) (pour l'installation dans un placard mural)
- Niveau
- Tournevis à lame plate

### Pièces nécessaires

- Vis n° 8-14 x 1" (2,5 cm) - (2) four simple, (4) four double, fournies avec le four encastré
- (2) vis n° 8-18 x 3/8" (9,5 mm) - Évent inférieur, fournies avec le four encastré
- (4) vis n° 8-18 x 3/8" (9,5 mm) - Pieds du four double, fournies avec le four encastré
- Évent inférieur fourni avec le four encastré
- (2) pieds pour four double fournis avec le four encastré
- (2) pieds avant pour four double fournis avec le four encastré

### Pièces fournies

- Support du déflecteur



- Cales d'espacement en plastique - (2) four simple, (4) four double



- Vis n° 8-18 x 1/8" (3 mm) - (2) pour les modèles de 27" (68,6 cm), (4) pour les modèles de 30" (76,2 cm)

## Exigences d'emplacement

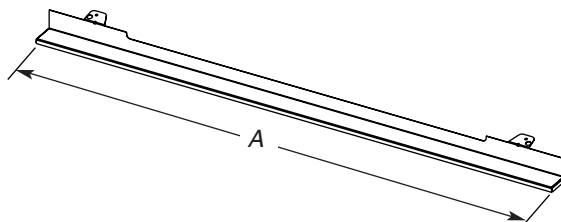
**IMPORTANT :** Observer les dispositions de tous les codes et règlements en vigueur.

**REMARQUE :** Consulter la section suivante "Exigences d'emplacement" et la section "Exigences d'emplacement" des instructions d'installation fournies avec le four encastré.

- Respecter les dimensions indiquées pour les ouvertures à découper dans les meubles. Ces dimensions tiennent compte des dégagements de séparation nécessaires pour le four.
- L'espace d'installation dans un encastrement doit permettre la formation d'une enceinte complète autour de la partie encastrée du four.
- La surface de support du four doit être robuste, horizontale et en affleurement avec le bas de l'ouverture découpée dans le placard.
- Le plancher doit pouvoir soutenir le poids d'un four simple de 129 lb (59 kg) pour les modèles de 27" (68,6 cm) ou de 154 lb (70 kg) pour les modèles de 30" (76,2 cm).
- Le plancher doit pouvoir soutenir le poids d'un four double de 251 lb (114 kg) pour les modèles de 27" (68,6 cm) ou de 288 lb (131 kg) pour les modèles de 30" (76,2 cm).

**IMPORTANT :** Afin d'éviter d'endommager les placards, consulter l'installateur ou le fabricant des placards pour déterminer si les matériaux utilisés peuvent subir une décoloration, une déstratification ou d'autres dommages. Ce four a été conçu conformément aux exigences des normes UL et CSA International et respecte les températures maximales permises de 194°F (90°C) pour les placards en bois.

### Dimensions du support du déflecteur



**Modèles de 27" (68,6 cm)**

A. Largeur totale : 26<sup>15</sup>/<sub>16</sub>"  
(68,4 cm)

**Modèles de 30" (76,2 cm)**

A. Largeur totale : 29<sup>15</sup>/<sub>16</sub>"  
(76,0 cm)

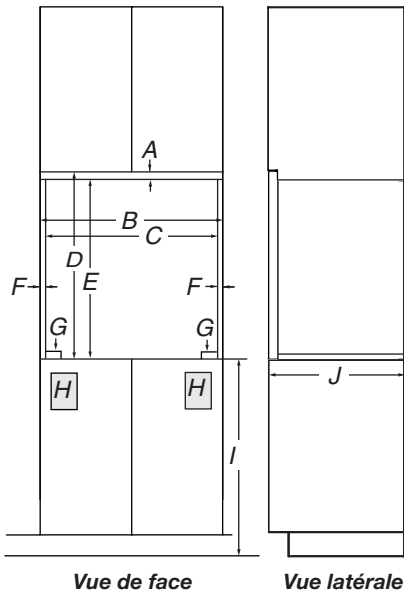
## Dimensions du placard - Fours simples, installations en affleurement

L'ouverture doit avoir une profondeur minimale de 25" (63,5 cm).

Ces dimensions donneront un dégagement de 1/4" (6 mm) au sommet, un dégagement de 1/4" (6 mm) sur les côtés et un dégagement de 1/8" (3 mm) au fond du four mural.

Le côté avant des tasseaux et de la plate-forme sera visible et doit être traité comme une surface de finition.

### Fours simples installés dans un placard - Installation en affleurement



#### Modèles de 27" (68,6 cm)

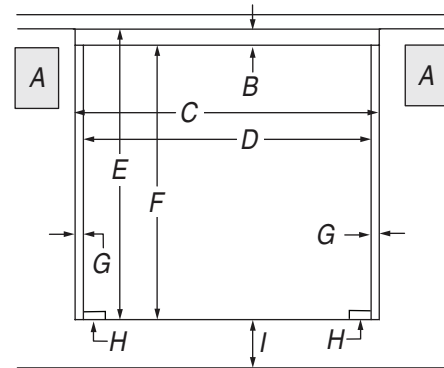
- A. Tasseau supérieur de 3/4" (1,9 cm)\*
- B. Largeur minimale de l'ouverture intégrée en affleurement : 27 1/4" (69,2 cm)
- C. Largeur minimale de l'ouverture : 25 7/8" (65,7 cm)
- D. Hauteur minimale de l'ouverture intégrée en affleurement : 29 1/4" (74,3 cm)
- E. Hauteur recommandée de l'ouverture : 28 1/2" (72,4 cm)
- F. Tasseau latéral : 11/16" (1,7 cm)\*
- G. Cale d'espacement sur la profondeur totale de l'ouverture : 1/2" x 2" (1,3 cm x 5,1 cm)\*
- H. Emplacement recommandé pour le boîtier de connexion
- I. 4 5/8" - 32" (11,7 cm - 81,3 cm) du fond de l'encastrement au plancher
- J. Profondeur minimale de l'ouverture : 25" (63,5 cm)

#### Modèles de 30" (76,2 cm)

- A. Tasseau supérieur de 3/4" (1,9 cm)\*
- B. Largeur minimale de l'ouverture intégrée en affleurement : 30 1/4" (76,8 cm)
- C. Largeur minimale de l'ouverture : 28 7/8" (73,3 cm)
- D. Hauteur minimale de l'ouverture intégrée en affleurement : 29 1/4" (74,3 cm)
- E. Hauteur recommandée de l'ouverture : 28 1/2" (72,4 cm)
- F. Tasseau latéral : 11/16" (1,7 cm)\*
- G. Cale d'espacement sur la profondeur totale de l'ouverture : 1/2" x 2" (1,3 cm x 5,1 cm)\*
- H. Emplacement recommandé pour le boîtier de connexion
- I. 4 5/8" - 32" (11,7 cm - 81,3 cm) du fond de l'encastrement au plancher
- J. Profondeur minimale de l'ouverture : 25" (63,5 cm)

\* Les tasseaux et les cales d'espacement doivent être encastrés à 1 3/8" (3,5 cm) depuis l'avant du placard.

## Fours simples sous le plan de travail - Installations en affleurement (sans table de cuisson au-dessus)



Vue de face

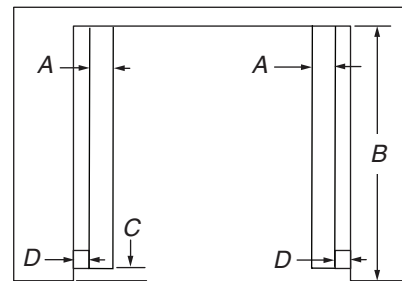
#### Modèles de 27" (68,6 cm)

- A. Emplacement recommandé pour le boîtier de connexion
- B. Tasseau supérieur de 3/4" (1,9 cm)\*
- C. Largeur minimale de l'ouverture intégrée en affleurement : 27 1/4" (69,2 cm)
- D. Largeur minimale de l'ouverture : 25 7/8" (65,7 cm)
- E. Hauteur minimale de l'ouverture intégrée en affleurement : 29 1/4" (74,3 cm)
- F. Hauteur recommandée de l'ouverture : 28 1/2" (72,4 cm)
- G. Tasseau latéral : 11/16" (1,7 cm)\*
- H. Cale d'espacement sur la profondeur totale de l'ouverture : 1/2" x 2" (1,3 cm x 5,1 cm)\*
- I. 4 5/8" (11,7 cm) du fond de l'encastrement au plancher

#### Modèles de 30" (76,2 cm)

- A. Emplacement recommandé pour le boîtier de connexion
- B. Tasseau supérieur de 3/4" (1,9 cm)\*
- C. Largeur minimale de l'ouverture intégrée en affleurement : 30 1/4" (76,8 cm)
- D. Largeur minimale de l'ouverture : 28 7/8" (73,3 cm)
- E. Hauteur minimale de l'ouverture intégrée en affleurement : 29 1/4" (74,3 cm)
- F. Hauteur recommandée de l'ouverture : 28 1/2" (72,4 cm)
- G. Tasseau latéral : 11/16" (1,7 cm)\*
- H. Cale d'espacement sur la profondeur totale de l'ouverture : 1/2" x 2" (1,3 cm x 5,1 cm)\*
- I. 4 5/8" (11,7 cm) du fond de l'encastrement au plancher

\* Les tasseaux et les cales d'espacement doivent être encastrés à 1 3/8" (3,5 cm) depuis l'avant du placard.



Vue de dessus

#### Modèles de 27" (68,6 cm)

- A. Cale d'espacement sur la profondeur totale de l'ouverture : 1/2" x 2" (1,3 cm x 5,1 cm)\*
- B. Profondeur de l'ouverture : 25" (63,5 cm)
- C. Encastrement à partir de l'avant du placard : 1 3/8" (3,5 cm)
- D. Tasseau latéral : 11/16" (1,7 cm)\*

#### Modèles de 30" (76,2 cm)

- A. Cale d'espacement sur la profondeur totale de l'ouverture : 1/2" x 2" (1,3 cm x 5,1 cm)\*
- B. Profondeur de l'ouverture : 25" (63,5 cm)
- C. Encastrement à partir de l'avant du placard : 1 3/8" (3,5 cm)
- D. Tasseau latéral : 11/16" (1,7 cm)\*

\* Les tasseaux et les cales d'espacement doivent être encastrés à 1 3/8" (3,5 cm) depuis l'avant du placard.

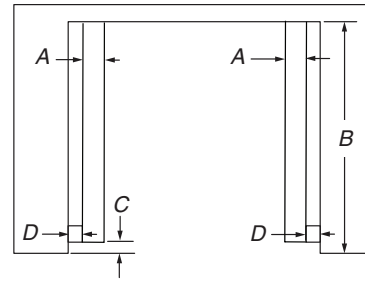
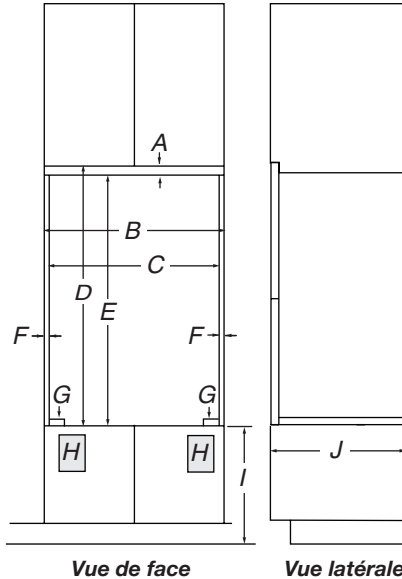
## Dimensions du placard - Fours doubles, installations en affleurement

L'ouverture doit avoir une profondeur minimale de  $25\frac{3}{8}$ " (64,4 cm).

Ces dimensions donneront un dégagement de  $\frac{1}{4}$ " (6 mm) au sommet, un dégagement de  $\frac{1}{4}$ " (6 mm) sur les côtés et un dégagement de  $\frac{1}{8}$ " (3 mm) au fond du four mural.

Le côté avant des tasseaux et de la plate-forme sera visible et doit être traité comme une surface de finition.

### Fours doubles installés dans un placard - Installation en affleurement



Vue de dessus

#### Modèles de 27" (68,6 cm)

- A. Cale d'espacement sur la profondeur totale de l'ouverture :  $\frac{1}{2}$ " x 2" (1,3 cm x 5,1 cm)\*
- B. Profondeur de l'ouverture :  $25\frac{3}{8}$ " (64,4 cm)
- C. Encastrement à partir de l'avant du placard :  $1\frac{3}{8}$ " (3,5 cm)
- D. Tasseau latéral :  $\frac{11}{16}$ " (1,7 cm)\*

#### Modèles de 30" (76,2 cm)

- A. Cale d'espacement sur la profondeur totale de l'ouverture :  $\frac{1}{2}$ " x 2" (1,3 cm x 5,1 cm)\*
- B. Profondeur de l'ouverture :  $25\frac{3}{8}$ " (64,4 cm)
- C. Encastrement à partir de l'avant du placard :  $1\frac{3}{8}$ " (3,5 cm)
- D. Tasseau latéral :  $\frac{11}{16}$ " (1,7 cm)\*

\* Les tasseaux et les cales d'espacement doivent être encastrés à  $1\frac{3}{8}$ " (3,5 cm) depuis l'avant du placard.

#### Modèles de 27" (68,6 cm)

- A. Tasseau supérieur de  $\frac{9}{16}$ " (1,4 cm)\*
- B. Largeur minimale de l'ouverture intégrée en affleurement :  $27\frac{1}{4}$ " (69,2 cm)
- C. Largeur minimale de l'ouverture :  $25\frac{7}{8}$ " (65,7 cm)
- D. Hauteur minimale de l'ouverture intégrée en affleurement : 52" (132,1 cm)
- E. Hauteur recommandée de l'ouverture :  $51\frac{7}{16}$ " (130,6 cm)
- F. Tasseau latéral :  $\frac{11}{16}$ " (1,7 cm)\*
- G. Cale d'espacement sur la profondeur totale de l'ouverture :  $\frac{1}{2}$ " x 2" (1,3 cm x 5,1 cm)\*
- H. Emplacement recommandé pour le boîtier de connexion
- I.  $4\frac{5}{8}$ " -  $14\frac{3}{4}$ " (11,7 cm - 37,5 cm) du fond de l'encastrement au plancher
- J. Profondeur minimale de l'ouverture :  $25\frac{3}{8}$ " (64,4 cm)

#### Modèles de 30" (76,2 cm)

- A. Tasseau supérieur de  $\frac{9}{16}$ " (1,4 cm)\*
- B. Largeur minimale de l'ouverture intégrée en affleurement :  $30\frac{1}{4}$ " (76,8 cm)
- C. Largeur minimale de l'ouverture :  $28\frac{7}{8}$ " (73,3 cm)
- D. Hauteur minimale de l'ouverture intégrée en affleurement : 52" (132,1 cm)
- E. Hauteur recommandée de l'ouverture :  $51\frac{7}{16}$ " (130,6 cm)
- F. Tasseau latéral :  $\frac{11}{16}$ " (1,7 cm)\*
- G. Cale d'espacement sur la profondeur totale de l'ouverture :  $\frac{1}{2}$ " x 2" (1,3 cm x 5,1 cm)\*
- H. Emplacement recommandé pour le boîtier de connexion
- I.  $4\frac{5}{8}$ " -  $14\frac{3}{4}$ " (11,7 cm - 37,5 cm) du fond de l'encastrement au plancher
- J. Profondeur minimale de l'ouverture :  $25\frac{3}{8}$ " (64,4 cm)

\* Les tasseaux et les cales d'espacement doivent être encastrés à  $1\frac{3}{8}$ " (3,5 cm) depuis l'avant du placard.

# INSTRUCTIONS D'INSTALLATION

## Préparation du four encastré

### REMARQUES :

- Consulter la section suivante "Instructions d'installation" et la section "Instructions d'installation" des instructions d'installation fournies avec le four encastré.
  - Consulter et respecter les instructions de la section suivante "Spécifications électriques" et suivre les instructions de la section "Raccordement électrique" des instructions d'installation fournies avec le four encastré.
1. Choisir l'emplacement final pour l'installation du four. Éviter de percer ou de sectionner le câblage du domicile pendant l'installation.

## **⚠ AVERTISSEMENT**

### Risque du poids excessif

Utiliser deux ou plus de personnes pour déplacer et installer le four.

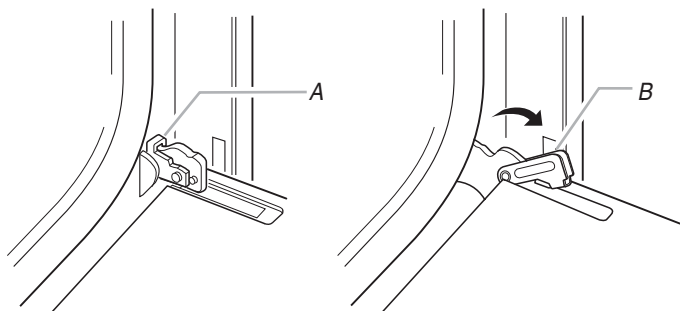
Le non-respect de cette instruction peut causer une blessure au dos ou d'autre blessure.

2. Pour éviter d'endommager le plancher, placer le four sur une feuille de carton avant l'installation. Pour soulever l'appareil, ne pas prendre prise sur la poignée ou sur une autre partie de l'avant du châssis.
3. Enlever les matériaux d'emballage et les rubans adhésifs du four. S'assurer de bien conserver les cornières de protection et autres matériaux pouvant être requis pour l'installation.
4. Enlever le matériel à l'intérieur du sachet de documentation.
5. Approcher le four et la feuille de carton de l'emplacement définitif du four.

## Dépose de la/des porte(s) du four

**IMPORTANT :** Retirer la/les porte(s) du four avec les deux mains.

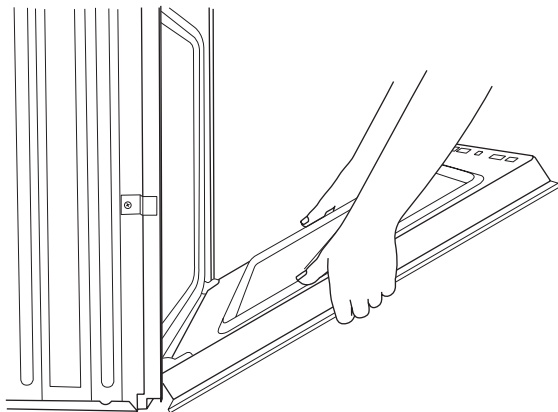
1. Avant de retirer la porte du four, préparer une surface sur laquelle on pourra la poser. Cette surface doit être plate et recouverte d'une couverture douce. On peut aussi utiliser les cornières de l'emballage.
2. Ouvrir la porte du four.
3. Identifier les loquets de charnière de la porte du four dans les deux angles de la porte; faire pivoter les loquets de charnière vers la porte du four jusqu'à la position de déverrouillage. Si le loquet de charnière de porte n'est pas complètement tourné (voir illustration B), la porte ne se retirera pas correctement.



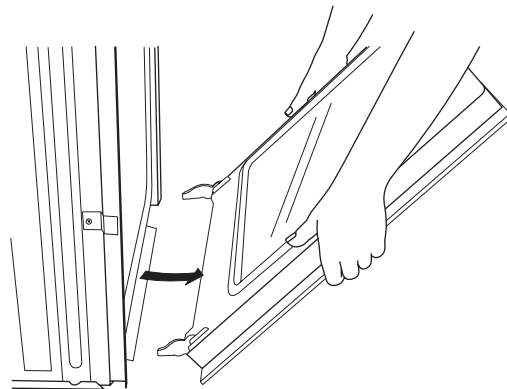
A. Loquet de charnière de la porte du four en position de verrouillage

B. Loquet de charnière de la porte du four en position de déverrouillage partiel

4. Fermer partiellement la porte pour engager les loquets de la gâche de porte. La porte restera bloquée à cette position.



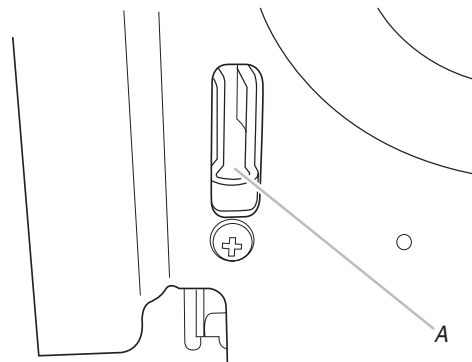
5. Saisir les bords de la porte du four avec les deux mains. Soulever et tirer la porte du four vers soi et enlever la porte. Vous devrez peut-être basculer doucement la porte d'un côté et de l'autre en la tirant.



6. Conserver la/les porte(s) du four à part sur la surface de travail couverte en faisant reposer la porte sur sa poignée.
7. Pour continuer l'installation du four, aller à la section "Positionnement des pieds du four".

## Réinstallation de la/des porte(s) du four

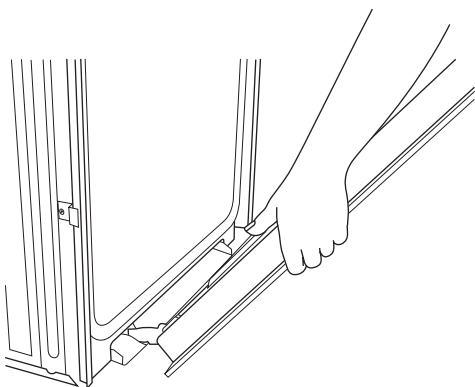
1. Saisir les bords latéraux de la porte par le milieu avec les deux mains. Se placer face à la cavité du four.
2. Repérer les encoches situées de chaque côté de la cavité du four pour les loquets de charnière de la porte.



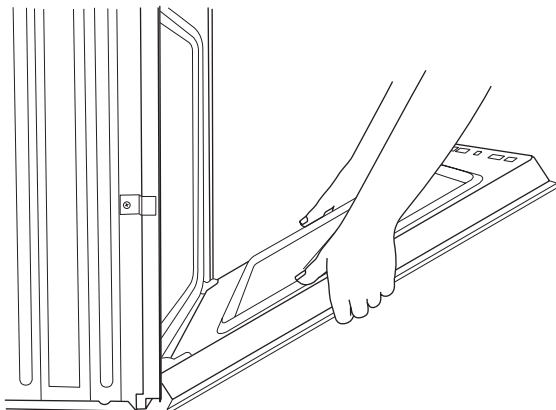
A. Encoche située dans la cavité du four pour le loquet de charnière de la porte



- Aligner les charnières de porte dans les encoches situées en bas/à l'avant de la cavité du four à un angle de 45°. Insérer doucement la porte tout en veillant à garder un angle de 45°. Lorsque l'on sent un léger abaissement de la porte, cela signifie qu'elle est bien positionnée dans l'encoche.



- Abaisser la porte du four jusqu'à ce qu'elle soit complètement ouverte. Si la porte du four ne s'ouvre pas complètement à un angle de 90 degrés, répéter les étapes 1 à 3.
- Identifier les loquets de charnière de la porte du four dans les angles de la porte; faire pivoter les loquets de charnière vers la cavité du four jusqu'à la position de verrouillage. Voir l'étape 3 (illustration A) dans la section "Dépose de la/ des porte(s) du four" pour une position de verrouillage correcte.



- Fermer la porte du four.
- Une fois les charnières correctement installées et la porte fermée, il doit y avoir un espace égal entre la porte et le tableau de commande. Si l'un des côtés de la porte du four est plus bas que l'autre, la charnière de ce côté-ci n'est pas correctement installée. Répéter les étapes de dépose puis de réinstallation de la porte du four. Voir "Dépose de la/des porte(s) du four" et "Réinstallation de la/des porte(s) du four."

## Positionnement des pieds du four

### Fours simples

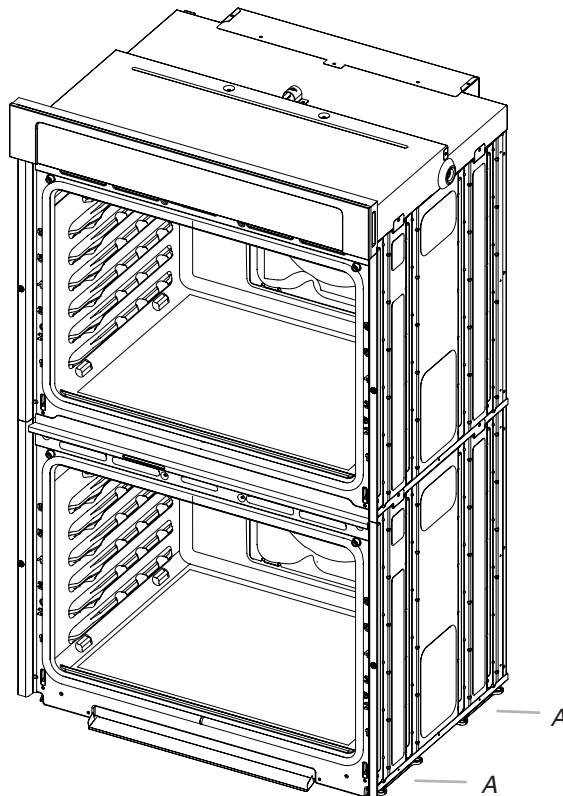
En modifiant le positionnement des pieds du four, on peut installer un four simple dans une cavité d'encastrement d'une hauteur de 28<sup>1</sup>/<sub>2</sub>" (72,4 cm).

Passer à la section "Raccordement électrique" des instructions d'installation fournies avec le four encastré.

### Fours doubles

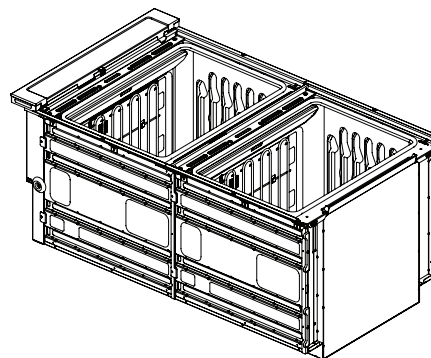
Les pieds du four doivent être installés pour permettre l'installation d'un four double dans une ouverture d'une hauteur recommandée de 51<sup>7</sup>/<sub>16</sub>" (130,6 cm)

**REMARQUE :** Ne pas retirer les cales d'espacement.



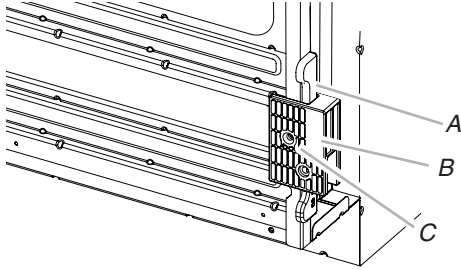
A. Cales d'espacement

- À l'aide d'au moins 2 personnes, placer le four sur sa partie arrière, sur une surface couverte.



2. Installer un pied sur la cale d'espacement arrière gauche avec une vis n° 8-18 x 3/8" (9,5 mm).

**REMARQUE :** Positionner le pied de façon à ce que le côté long du pied soit orienté vers le sommet du four.

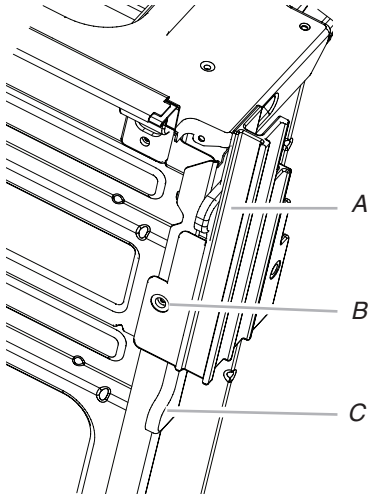


A. Cale d'espacement  
B. Pied  
C. Vis n° 8-18 x 3/8" (9,5 mm)

3. De la même manière, installer un pied sur le coin arrière droit du four.

4. Installer un pied sur la cale d'espacement arrière gauche avec une vis n° 8-18 x 3/8" (9,5 mm).

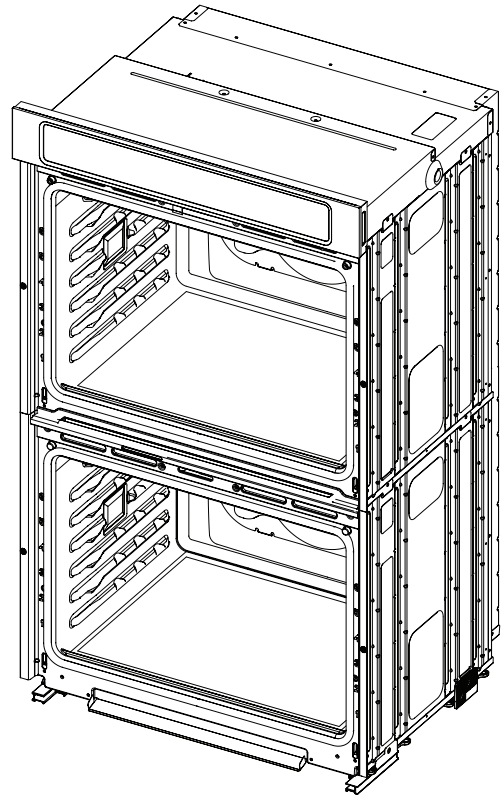
**REMARQUE :** Positionner le pied de façon à ce que le côté long du pied soit orienté vers l'intérieur du four.



A. Pied avant  
B. Vis n° 8-18 x 3/8" (9,5 mm)  
C. Cale d'espacement

5. De la même manière, installer un pied avant sur le coin avant droit du four.

6. À l'aide d'au moins deux personnes, placer le four en position verticale.

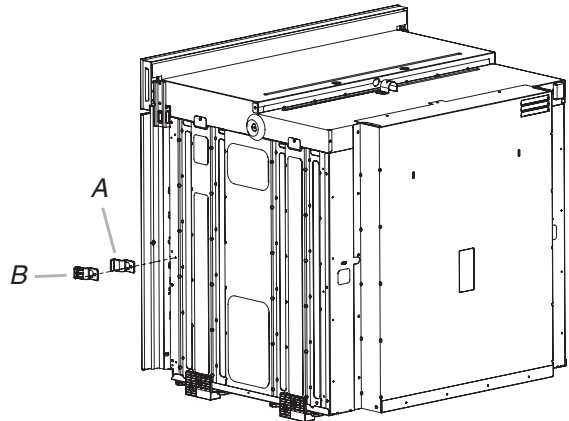


7. Passer à la section "Raccordement électrique" des instructions d'installation fournies avec le four encastré.

## Remplacement des cales d'espacement en plastique

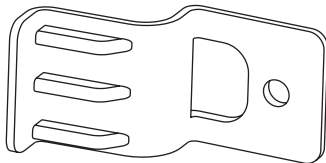
### Remplacement des cales d'espacement en plastique sur les fours simples

1. Retirer la vis fixant la cale d'espacement en plastique (A) au côté droit du four.
2. À l'aide de la vis retirée, installer la nouvelle cale d'espacement en plastique (B) fournie avec cet ensemble.



A. Cale en plastique  
B. Cale en plastique neuve

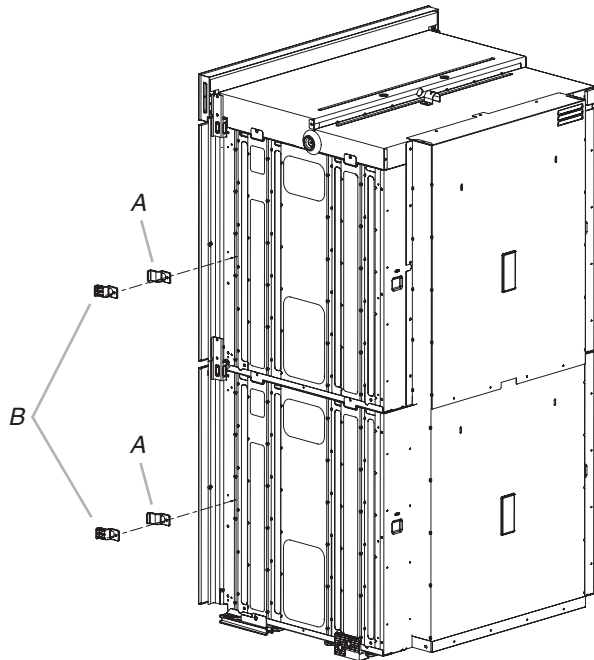
- De la même manière, retirer et remplacer la cale d'espacement en plastique située sur le côté gauche du four.



Cale en plastique neuve

### Remplacement des cales d'espacement en plastique sur les fours doubles

- Retirer les 2 vis, 1 pour chaque cale d'espacement, qui fixent les 2 cales d'espacement en plastique (A) sur le côté droit du four.
- À l'aide des 2 vis retirées, installer les 2 nouvelles cales d'espacement en plastique (B) fournies avec cet ensemble.



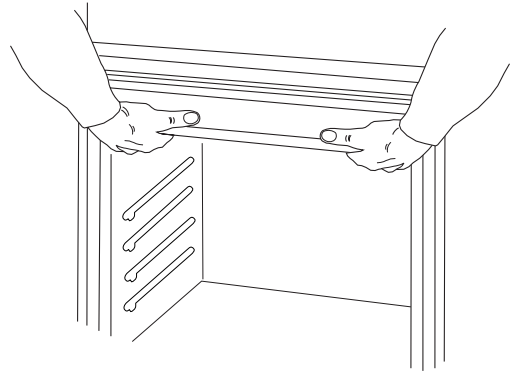
A. Cale en plastique

B. Cale en plastique neuve

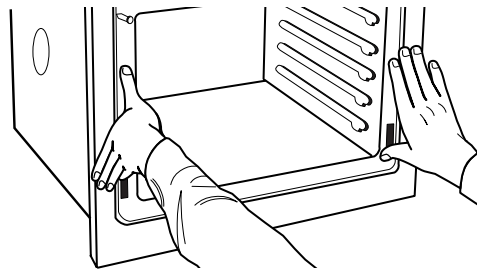
- De la même manière, retirer et remplacer les 2 cales d'espacement en plastique situées sur le côté gauche du four.

### Installation du four

- À l'aide d'au moins 2 personnes, soulever et introduire partiellement le four dans l'ouverture d'encastrement du placard. Utiliser l'ouverture du four comme zone de prise.  
**REMARQUE :** Ouvrir la porte du four à micro-ondes et pousser sur la zone du joint du châssis avant lorsque l'on introduit le four à micro-ondes dans le placard. Ne pas pousser contre les bords externes.



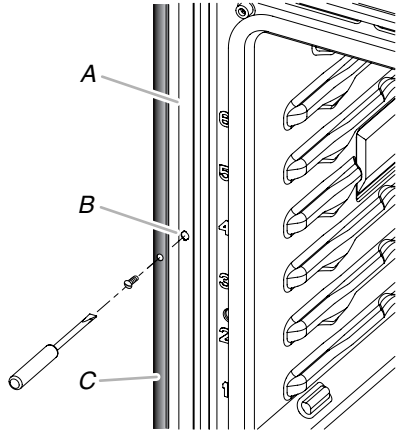
- Pousser contre le châssis avant du four à micro-ondes pour introduire le four dans le placard. Enfoncer complètement le four à micro-ondes dans le placard et le centrer dans la cavité du placard.



- Pousser complètement le four dans le placard et le centrer dans la cavité d'encastrement du placard.

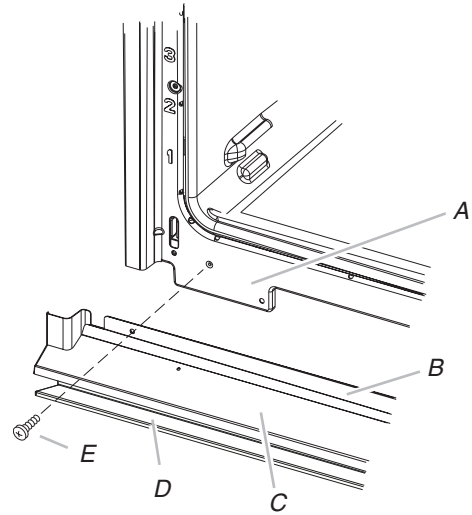
4. Retirer le ruban adhésif des éléments de garniture avant noirs.

- Fixer solidement le four au placard à l'aide des vis n° 8-14 x 3/4" (1,9 cm) fournies.
- Insérer les vis dans les trous de l'élément de garniture noir en les alignant avec les trous du châssis du four. Ne pas serrer excessivement les vis.



A. Châssis du four  
B. Trou du châssis du four  
C. Élément de garniture noire

3. Aligner l'onglet de l'évent (B) avec le châssis du four (A) comme dans l'illustration suivante.
4. Avec une vis n° 8-18 x 3/8" (9,5 mm) (E) pour chaque côté du support de l'évent (B), fixer solidement l'évent au four.



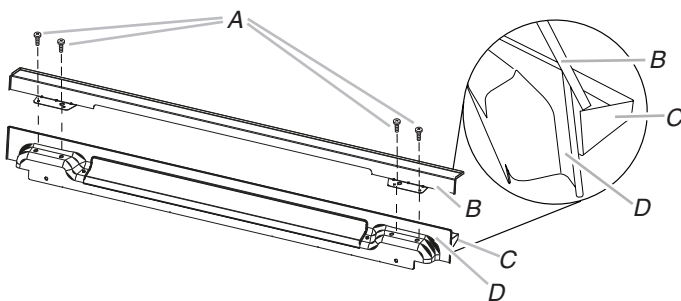
A. Châssis du four  
B. Support de l'évent  
C. Évent du four  
D. Support du déflecteur  
E. Vis n° 8-18 x 3/8" (9,5 mm)

## Installation du support de la tresse du déflecteur

Ce montage est nécessaire lorsqu'un four encastré simple ou double est installé en affleurement.

1. Faire fléchir la pièce d'évent supérieure (C) en l'éloignant de la pièce d'évent inférieure (D) pour faire glisser le support du déflecteur (B) entre elles. Une certaine force sera peut-être nécessaire pour faire fléchir la garniture d'évent supérieure (C) en l'éloignant de la garniture d'évent inférieure (D). Une certaine force sera peut-être également nécessaire pour faire fléchir le support du déflecteur (B) et le glisser en place. S'assurer que les trous de vis sont correctement alignés entre les deux pièces. Voir l'illustration suivante.
2. Installer le support du déflecteur (B) sur la pièce d'évent inférieure (D) à l'aide de deux vis n° 8-18 x 1/4" (6 mm) de chaque côté.

**REMARQUE :** Sur les modèles de 27" (68,6 cm), utiliser une seule vis n° 8-18 x 1/4" (6 mm) de chaque côté.



A. Vis n° 8-18 x 1/4" (6 mm)  
B. Support du déflecteur  
C. Élément d'évacuation supérieur (fourni avec le four)  
D. Élément d'évacuation inférieur (fourni avec le four)

5. Réinstaller les grilles du four.
6. Réinstaller la porte du four. Voir la section "Réinstaller la/les porte(s) du four".
7. Vérifier que la porte s'ouvre et se ferme facilement. Si tel n'est pas le cas, répéter la procédure de dépose et de réinstallation de la porte. Voir la section "Préparation du four encastré."
8. Répéter cette procédure pour la porte du four inférieur.
9. Reconnecter la source de courant électrique.
10. Le tableau d'affichage s'allume brièvement et "PF" devrait apparaître sur l'affichage.
11. Si le tableau d'affichage ne s'allume pas, consulter la section "Assistance ou service" du guide d'utilisation et d'entretien fourni avec le four encastré ou contacter le marchand auprès duquel le four a été acheté.

---

## Achever l'installation

1. Vérifier que toutes les pièces sont maintenant installées. S'il reste une pièce, passer en revue les différentes étapes pour découvrir laquelle aurait été oubliée.
2. Vérifier la présence de tous les outils.
3. Jeter/recycler tous les matériaux d'emballage.
4. Pour l'utilisation et le nettoyage du four, lire le Guide d'utilisation et d'entretien.

### Vérification du fonctionnement pour un four simple et un four double

1. Mettre l'appareil sous tension.
2. À la première utilisation, régler l'horloge et toute autre préférence réglable. Consulter le Guide d'utilisation et d'entretien pour plus de renseignements.
3. Pour les fours simples, appuyer sur BROIL (cuisson au gril).

**REMARQUE :** Pour les fours doubles, appuyer sur UPPER BROIL (cuisson au gril - four supérieur) ou LOWER BROIL (cuisson au gril - four inférieur).

4. Régler la température.
5. Appuyer sur START (mise en marche).

### Si le(s) four(s) ne fonctionne(nt) pas, contrôler ce qui suit :

- Les fusibles du domicile sont intacts et serrés, le disjoncteur n'est pas déclenché.
  - La prise de courant est correctement alimentée.
  - Voir la section "Dépannage" dans le Guide d'utilisation et d'entretien.
6. Après que le four a fonctionné pendant 5 minutes, vérifier qu'il y a émission de chaleur.  
Si aucune chaleur n'est ressentie ou si un message d'erreur apparaît sur l'affichage, éteindre le four et contacter un technicien qualifié.
  7. Pour les fours doubles, appuyer sur UPPER CANCEL/ LOWER CANCEL (annulation four supérieur/annulation four inférieur). Pour les fours simples, appuyer sur CANCEL (annulation).

### Si vous avez besoin d'assistance ou de service :

Consulter la section "Assistance ou service" du Guide d'utilisation et d'entretien ou contacter le marchand auprès duquel le four encastré a été acheté.

