



24" (61 CM), 27" (68.6 CM), AND 30" (76.2 CM) INDOOR/OUTDOOR ELECTRIC WARMING DRAWER

PRODUCT MODEL NUMBERS

KOWT100E KOWT104E KOWT107E

ELECTRICAL CONNECTION

A 120 volt, 60 Hz., AC only, 15-amp fused, electrical circuit is required. A time-delay fuse or circuit breaker is also recommended. It is recommended that a separate circuit serving only this warming drawer be provided.

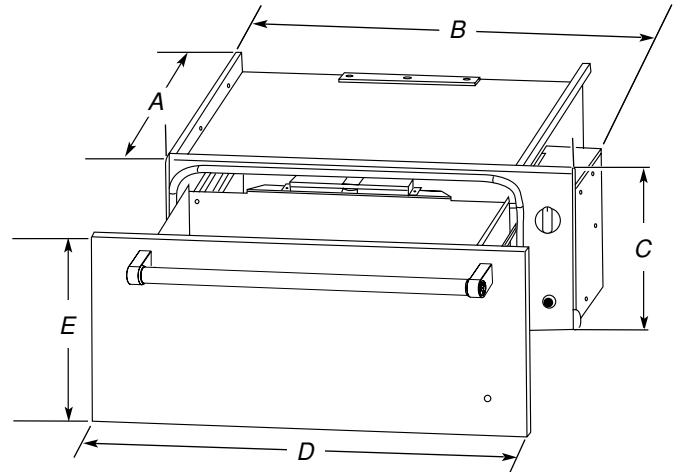
LOCATION REQUIREMENTS

IMPORTANT: Observe all governing codes and ordinances.

- Cutout dimensions that are shown must be used. Given dimensions provide minimum clearance with warming drawer.
- Recessed installation area must provide complete enclosure around the recessed portion of the warming drawer.
- Grounded electrical supply is required. See "Electrical Requirements" section.
- Electrical supply outlet should be located in the rear wall on the upper right-hand side of the cutout or in an adjacent cabinet. The outlet must be recessed. If the electrical outlet is located in an adjacent cabinet, a 1 $\frac{3}{8}$ " (3.5 cm) minimum diameter hole should have been drilled in the back of the cutout or support surface to pass the power supply cord through to the outlet.
- Warming drawer support surface must be solid, level and flush with bottom of cabinet cutout.
- Warming drawers with oiled bronze, black glass, and white glass panels are approved for indoor use only.

For best performance results make sure the warming drawer is leveled before completing installation. There is no way to level the warming drawer after it has been installed. If the installation is not level, the door may slide open or not seal tightly, allowing heat to escape.

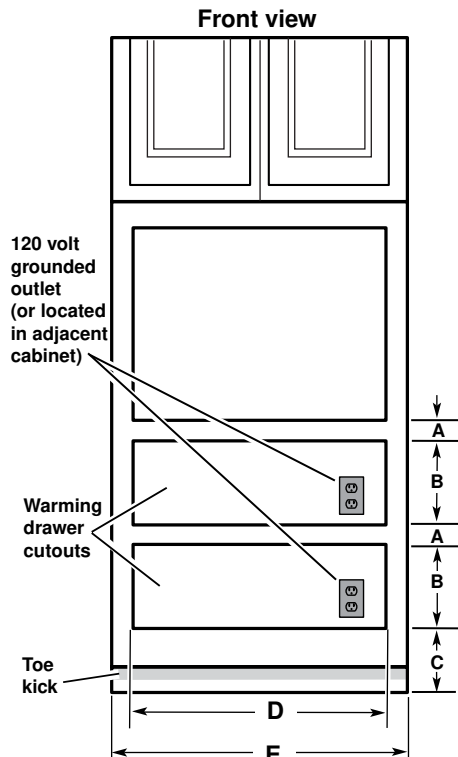
PRODUCT DIMENSIONS



WARMING DRAWER SIZE	OVEN DEPTH (A)	RECESSED WIDTH (B)	RECESSED HEIGHT (C)	OVERALL WIDTH (D)	DRAWER FRONT HEIGHT (E)
24" (61 cm)	23 $\frac{1}{8}$ " (58.7 cm)	22 $\frac{1}{4}$ " (56.5 cm)	9" (22.9 cm)	23 $\frac{3}{4}$ " (60.3 cm)	10 $\frac{1}{4}$ " (26.1 cm)
27" (68.6 cm)	23 $\frac{1}{8}$ " (58.7 cm)	25 $\frac{1}{4}$ " (64.1 cm)	9" (22.9 cm)	26 $\frac{3}{4}$ " (67.9 cm)	10 $\frac{1}{4}$ " (26.1 cm)
30" (76.2 cm)	23 $\frac{1}{8}$ " (58.7 cm)	28 $\frac{1}{4}$ " (71.8 cm)	9" (22.9 cm)	29 $\frac{3}{4}$ " (75.6 cm)	10 $\frac{1}{4}$ " (26.1 cm)

CABINET OPENING DIMENSIONS

Cabinet Front View



WARMING DRAWER SIZE	MINIMUM BETWEEN CUTOUTS (A)	CUTOUT HEIGHT (B)	MINIMUM/RECOMMENDED (C)	CUTOUT WIDTH (D)	MINIMUM CABINET WIDTH (E)
24" (61 cm)	2 $\frac{1}{2}$ " (6.4 cm)	9 $\frac{1}{8}$ " (23.2 cm)	1" (2.5 cm) / 4 $\frac{1}{4}$ " (10.8 cm)	22 $\frac{1}{2}$ " (57.1 cm)	24" (61 cm)
27" (68.6 cm)	2 $\frac{1}{2}$ " (6.4 cm)	9 $\frac{1}{8}$ " (23.2 cm)	1" (2.5 cm) / 4 $\frac{1}{4}$ " (10.8 cm)	25 $\frac{1}{2}$ " (64.8 cm)	27" (68.6 cm)
30" (76.2 cm)	2 $\frac{1}{2}$ " (6.4 cm)	9 $\frac{1}{8}$ " (23.2 cm)	1" (2.5 cm) / 4 $\frac{1}{4}$ " (10.8 cm)	28 $\frac{1}{2}$ " (72.4 cm)	30" (76.2 cm)

Warming drawer can be installed as an indoor single or double installation or installed under a single oven. Two warming drawers under a single oven are shown.

NOTE: The warming drawer cannot be leveled after being installed.

For outdoor installation follow the cutout dimensions above. Install the outdoor warming drawer in a permanent structure.

Custom Wood Drawer Front

If you plan to install a custom wood panel to match your cabinets, we recommend consulting a qualified cabinetmaker or carpenter. The back of the wood panel must be sealed to avoid moisture damage.

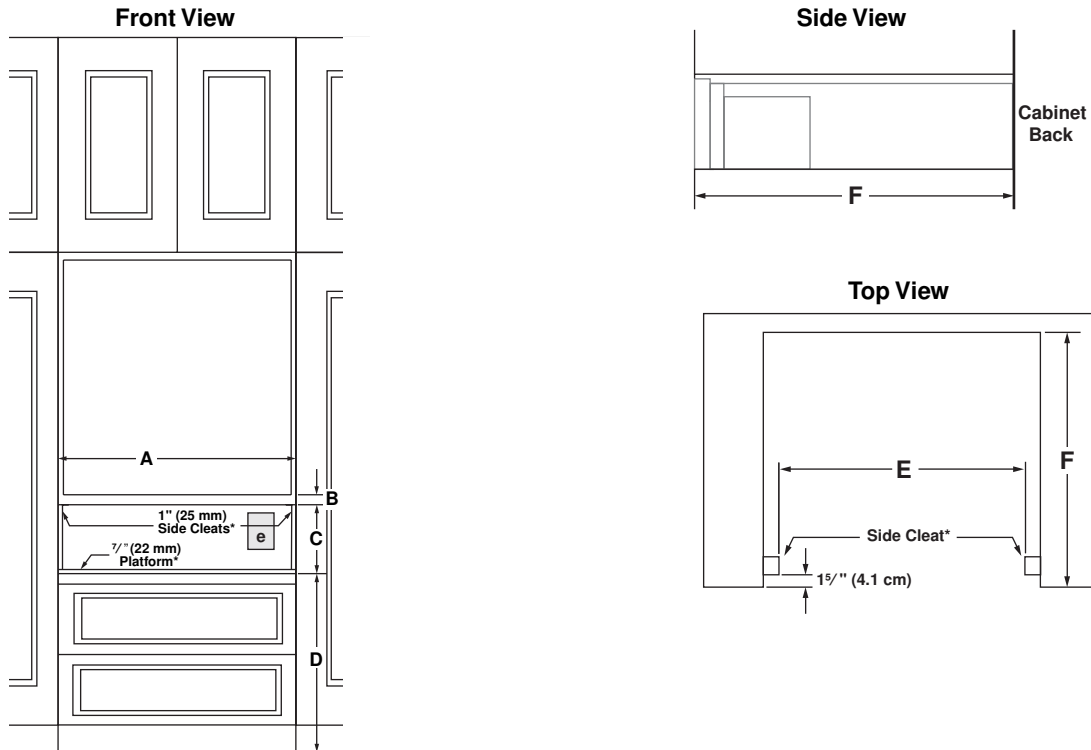
Clearance Dimensions – Flush Installation

Flush Installation Requirements

A 25³/₈" (64.5 cm) minimum cutout depth is required.

These dimensions will result in a 1/4" (6 mm) reveal on all sides of the warming drawer.

The front face of the cleats and platforms will be visible and should be treated as a finished surface.



	27" Models	30" Models	
A	Width of flush inset cutout (minimum)	27 ¹ / ₄ " (69.2 cm)	30 ¹ / ₄ " (76.8 cm)
B	Height between cutouts (minimum)	2 ¹ / ₂ " (6.4 cm)	2 ¹ / ₂ " (6.4 cm)
C	Height of flush inset cutout (minimum)	10 ³ / ₄ " (27.3 cm)	10 ³ / ₄ " (27.3 cm)
D	Bottom of cutout to floor (recommended)	8 ¹ / ₄ " (21.0 cm)	8 ¹ / ₄ " (21.0 cm)
	Bottom of cutout to floor (minimum)	5" (12.7 cm)	5" (12.7 cm)
E	Width of opening (minimum)	25 ¹ / ₄ " (64.1 cm)	28 ¹ / ₄ " (71.8 cm)
F	Depth of cutout (minimum)	25 ³ / ₈ " (64.5 cm)	25 ³ / ₈ " (64.5 cm)
e	Recommended outlet location		