

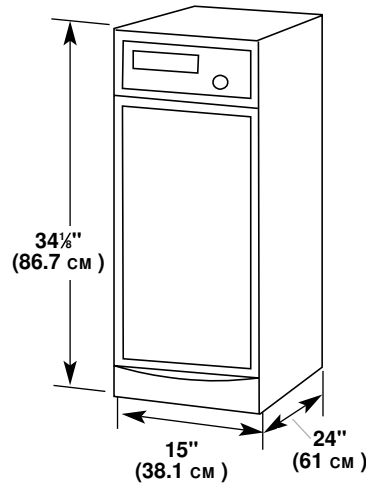
# KitchenAid® Compactor

## PRODUCT MODEL NUMBERS

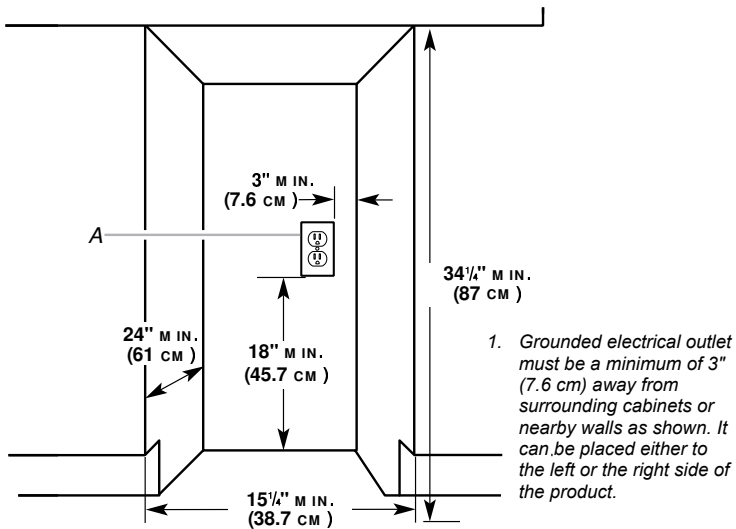
KUCS03FT      KTTS505E

**ELECTRICAL:** This compactor is for use on a single phase, 115-volt, 60 Hz, AC only, 15- or 20-amp fused and properly grounded circuit and is equipped with a grounding plug as shown below. It is recommended that a separate circuit serving only this appliance be provided.

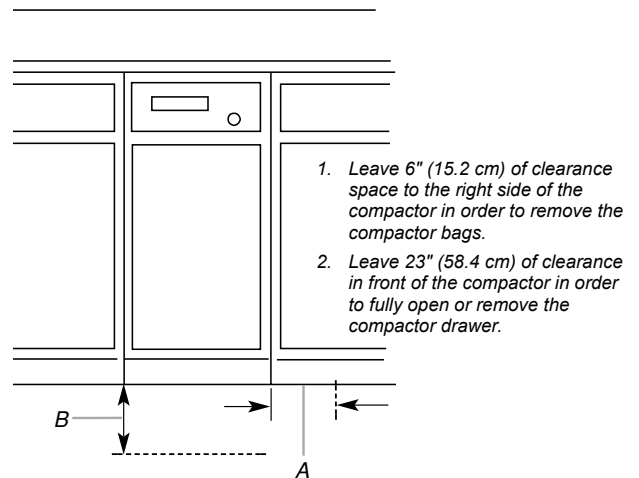
## OVERALL DIMENSIONS



## CABINET OPENING DIMENSIONS

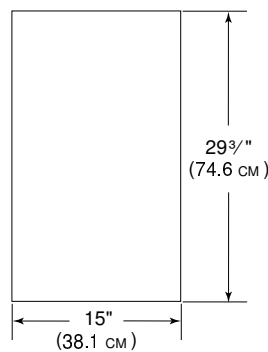


## CLEARANCE DIMENSIONS



## CUSTOM PANELS

### WITHOUT TRIM KIT



Panel should be a minimum of 1/2" (13 mm) thick.