

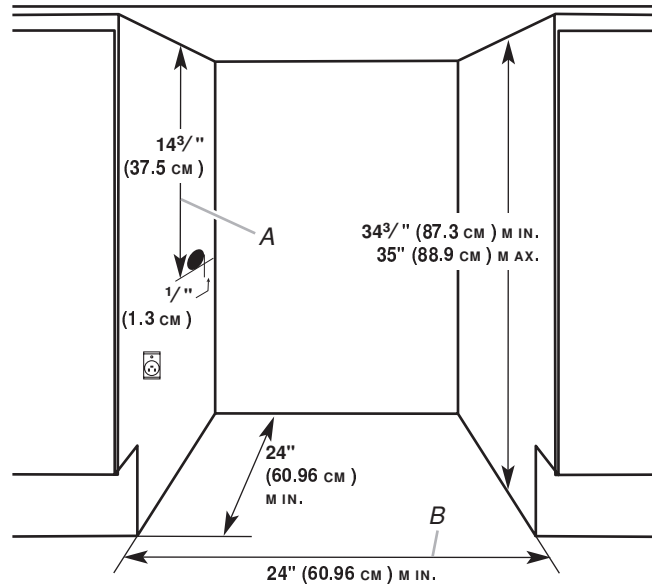
PRODUCT MODEL NUMBERS

KUBL204E KUBL304E
KUBR204E KUBR304E

ELECTRICAL: A 115 volt, 60 Hz., AC only, 15- or 20-amp fused, grounded electrical supply is required. It is recommended that a separate circuit serving only your beverage center be provided. Use an outlet that cannot be turned off by a switch. Do not use an extension cord.

NOTE: Before performing any type of installation, cleaning, or removing a light bulb, unplug beverage center or disconnect power.

OPENING DIMENSIONS



A. 14³/₈" (37.5 cm) utility opening
B. 24" (60.96 cm) minimum opening width

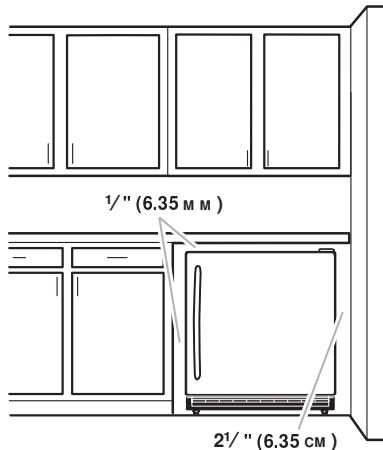
Height dimensions are shown with the leveling legs extended to the minimum height.

NOTE: When leveling legs are fully extended, add 5/8" (15 mm) to the height dimensions.

If the floor of the opening is not level with the kitchen floor, shim the opening to make it level with the kitchen floor.

| Model | Door Swing |
|----------------------|------------|
| KUBL204E KUBL304E | Left |
| KUBR204E KUBR304E | Right |

LOCATION REQUIREMENTS



To ensure proper ventilation for your beverage center, allow for a 1/8" (6.35 mm) space on each side and at the top. When installing your beverage center next to a fixed wall, leave 2 1/8" (6.35 cm) minimum clearance on the hinge side to allow for the door to swing open.

NOTE: It is recommended that you do not install the beverage center near an oven, radiator, or other heat source. Do not install in a location where the temperature will fall below 55°F (13°C). For best performance, do not install the beverage center behind a cabinet door or block the base grille.