

KitchenAid®

30" (76.2 CM) AND 36" (91.4 CM) COMMERCIAL STYLE WALL-MOUNT RANGE HOOD

HOTTE À MONTAGE MURAL DE STYLE COMMERCIAL DE 30 PO (76,2 CM) ET 36 PO (91,4 CM)

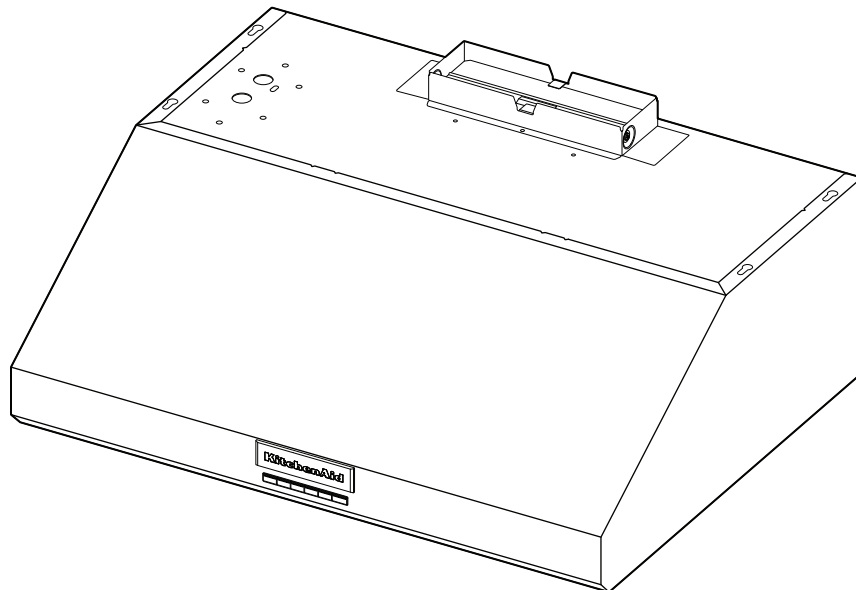
CAMPANA PURIFICADORA / EXTRACTORA, DE ESTILO COMERCIAL DE 30" (76,2 CM) Y 36" (91,4 CM)

**Installation Instructions and Use and Care Guide
Instructions d'installation et guide d'utilisation et d'entretien
Instrucciones de instalación y Manual de uso y cuidado**

For questions about features, operation/performance, parts, accessories, or service, call: **1-800-422-1230**
or visit our website at **www.kitchenaid.com**.
In Canada, for assistance, installation, and service, call: **1-800-807-6777**
or visit our website at **www.kitchenaid.ca**.

Pour des questions à propos des caractéristiques, du fonctionnement/rendement, des pièces, accessoires ou service, composer le :
1 800 422-1230
Ou visiter notre site internet au **www.kitchenaid.com**.
Au Canada, pour assistance, installation ou service, composer le : **1 800 807-6777**
Ou visiter notre site Internet au **www.kitchenaid.ca**.

Si tiene preguntas sobre características, funcionamiento, rendimiento, piezas, accesorios o servicio técnico, llame al: **1 800 002 2767**
o visite nuestro sitio web en **www.kitchenaid.mx/servicio-y-soporte**.



**IMPORTANT: READ AND SAVE THESE INSTRUCTIONS. FOR RESIDENTIAL USE ONLY.
IMPORTANT : LIRE ET CONSERVER CES INSTRUCTIONS. POUR UTILISATION RÉSIDENNELLE UNIQUEMENT.
IMPORTANTE: LEA Y GUARDE ESTAS INSTRUCCIONES. SOLO PARA USO RESIDENCIAL.**

TABLE OF CONTENTS/TABLE DES MATIÈRES/ TABLA DE CONTENIDOS

RANGE HOOD SAFETY	2	SÉCURITÉ DE LA HOTTE	14	SEGURIDAD DE LA CAMPANA	
INSTALLATION REQUIREMENTS	4	EXIGENCES D'INSTALLATION	16	DE ESTUFA	26
Tools and Parts	4	Outils et pièces.....	16	REQUISITOS DE INSTALACIÓN	28
Location Requirements.....	4	Exigences d'emplacement.....	16	Herramientas y piezas.....	28
Venting Requirements.....	5	Exigences d'évacuation.....	17	Requisitos de ubicación.....	28
Electrical Requirements	6	Spécifications électriques.....	18	Requisitos de ventilación	29
INSTALLATION INSTRUCTIONS	7	INSTRUCTIONS D'INSTALLATION	19	Requisitos eléctricos.....	30
Prepare Location.....	7	Préparation de l'emplacement.....	19	INSTRUCCIONES DE INSTALACIÓN	31
Install Range Hood.....	9	Installation de la hotte	21	Preparación de la ubicación	31
Make Electrical Connection.....	9	Raccordement électrique.....	22	Instalación de la campana de estufa	33
Install Vent Covers (Optional).....	10	Installation des cache-conduits		Cómo hacer la conexión eléctrica	33
Complete Installation	10	(facultatif)	22	Instalación de las cubiertas de la venti-	
RANGE HOOD USE	10	Terminer l'installation	22	lación (opcional)	34
Range Hood Controls	10	UTILISATION DE LA HOTTE	22	Finalización de la instalación	34
RANGE HOOD CARE	11	Commandes de la hotte.....	22	USO DE LA CAMPANA DE ESTUFA	34
Cleaning	11	ENTRETIEN DE LA HOTTE	23	Controles de la campana de estufa.....	34
WIRING DIAGRAM	12	Nettoyage	23	CUIDADO DE LA CAMPANA	
ASSISTANCE OR SERVICE	13	SCHÉMA DE CÂBLAGE	24	DE ESTUFA	35
In the U.S.A.	13	ASSISTANCE OU DÉPANNAGE	25	Limpieza	35
In Canada	13	Aux É.-U.	25	DIAGRAMA DE CABLEADO	36
		Au Canada.....	25	AYUDA O SERVICIO TÉCNICO	37
				En México.....	37

Comercializado por
 Whirlpool México, S. de R.L. de C.V.
 Antigua Carretera a Roma Km 9 S/N
 Col. El Milagro, Apodaca, N.L., México,
 C.P. 66634. RFC WME8709287L5
 Importer / Importateur / Importador
 CANADA:
 Whirlpool Canada LP, Mississauga,
 Ontario L5N 0B7
 U.S.A.:
 Whirlpool Corporation, U.S.A., Benton Harbor, MI 49022
 COLOMBIA:
 Whirlpool Colombia S.A.S.
 Nit:830010181-9
 Calle 99# 10-19 P6 Cantidad: 1 unidad



MR



RANGE HOOD SAFETY

Your safety and the safety of others are very important.

We have provided many important safety messages in this manual and on your appliance. Always read and obey all safety messages.



This is the safety alert symbol.

This symbol alerts you to potential hazards that can kill or hurt you and others.

All safety messages will follow the safety alert symbol and either the word "DANGER" or "WARNING." These words mean:

⚠ DANGER

You can be killed or seriously injured if you don't immediately follow instructions.

⚠ WARNING

You can be killed or seriously injured if you don't follow instructions.

All safety messages will tell you what the potential hazard is, tell you how to reduce the chance of injury, and tell you what can happen if the instructions are not followed.

IMPORTANT SAFETY INSTRUCTIONS

WARNING: TO REDUCE THE RISK OF FIRE, ELECTRIC SHOCK, OR INJURY TO PERSONS, OBSERVE THE FOLLOWING:

- Use this unit only in the manner intended by the manufacturer. If you have questions, contact the manufacturer.
- Before servicing or cleaning the unit, switch power off at service panel and lock the service disconnecting means to prevent power from being switched on accidentally. When the service disconnecting means cannot be locked, securely fasten a prominent warning device, such as a tag, to the service panel.
- Installation work and electrical wiring must be done by qualified person(s) in accordance with all applicable codes and standards, including fire-rated construction.
- Do not operate any fan with a damaged cord or plug. Discard fan or return to an authorized service facility for examination and/or repair.
- Sufficient air is needed for proper combustion and exhausting of gases through the flue (chimney) of fuel burning equipment to prevent backdrafting. Follow the heating equipment manufacturer's guideline and safety standards such as those published by the National Fire Protection Association (NFPA), the American Society for Heating, Refrigeration and Air Conditioning Engineers (ASHRAE), and the local code authorities.
- When cutting or drilling into wall or ceiling, do not damage electrical wiring and other hidden utilities.
- Ducted fans must always be vented outdoors.

CAUTION: For general ventilating use only. Do not use to exhaust hazardous or explosive materials and vapors.

CAUTION: To reduce risk of fire and to properly exhaust air, be sure to duct air outside - do not vent exhaust air into spaces within walls or ceilings, attics or into crawl spaces, or garages.

WARNING: TO REDUCE THE RISK OF FIRE, USE ONLY METAL DUCTWORK.

WARNING: TO REDUCE THE RISK OF A RANGE TOP GREASE FIRE:

- Never leave surface units unattended at high settings. Boilovers cause smoking and greasy spillovers that may ignite. Heat oils slowly on low or medium settings.
- Always turn hood ON when cooking at high heat or when flambing food (i.e. Crepes Suzette, Cherries Jubilee, Peppercorn Beef Flambé).
- Clean ventilating fans frequently. Grease should not be allowed to accumulate on fan or filter.
- Use proper pan size. Always use cookware appropriate for the size of the surface element.

WARNING: TO REDUCE THE RISK OF INJURY TO PERSONS IN THE EVENT OF A RANGE TOP GREASE FIRE, OBSERVE THE FOLLOWING:^a

- SMOTHER FLAMES with a close fitting lid, cookie sheet, or metal tray, then turn off the burner. BE CAREFUL TO PREVENT BURNS. If the flames do not go out immediately, EVACUATE AND CALL THE FIRE DEPARTMENT.
- NEVER PICK UP A FLAMING PAN - you may be burned.
- DO NOT USE WATER, including wet dishcloths or towels - a violent steam explosion will result.
- Use an extinguisher ONLY if:
 - You know you have a class ABC extinguisher, and you already know how to operate it.
 - The fire is small and contained in the area where it started.
 - The fire department is being called.
 - You can fight the fire with your back to an exit.

^aBased on "Kitchen Fire Safety Tips" published by NFPA.

- **WARNING:** To reduce the risk of fire or electrical shock, do not use this fan with any solid-state speed control device.

READ AND SAVE THESE INSTRUCTIONS

INSTALLATION REQUIREMENTS

Tools and Parts

Gather the required tools and parts before starting installation. Read and follow the instructions provided with any tools listed here.

NOTE: This range hood is recommended for use with cooking surfaces with a maximum total rating of 75,000 BTUs or less for 30" (76.2 cm) range hood and 90,000 BTUs or less for 36" (91.4 cm) range hood.

Tools needed

- Level
- Drill with 1¹/₄" (3.0 cm), 3/16" (4.8 mm), 1/8" (3.0 mm), and 5/16" (7.9 mm) drill bits
- Pencil
- Wire stripper or utility knife
- Tape measure or ruler
- Pliers
- Caulking gun and weatherproof caulking compound
- Vent clamps
- Jigsaw or keyhole saw
- Flat-blade screwdriver
- Metal snips
- Phillips screwdriver
- Metric hex key set

Parts needed

- Home power supply cable
- 1/2" (1.3 cm) UL listed or CSA approved strain relief
- 3 UL listed wire connectors
- 1 wall or roof cap
- Metal vent system
- Chimney cover (optional)
- Masking Tape

Parts supplied

Remove parts from packages. Check that all parts are included.

- Range hood assembly with ventilator and light bulbs installed
- 3¹/₄" x 10" (8.3 cm x 25.4 cm) rectangular vent connector
- 2 metal grease filters for 30" (76.2 cm) model
- 3 metal grease filters for 36" (91.4 cm) model
- T20® Torx®† adapter
- 4 - 5 x 45 mm mounting screws
- 6 - 4.5 x 13 mm screws
- 3 - 4 x 8 mm screws
- 4 - 10 x 50 wall anchors
- Installation template WALL 30" and 36" models
- Installation template CABINET 30" and 36" models

Location Requirements

IMPORTANT: Observe all governing codes and ordinances. Have a qualified technician install the range hood. It is the installer's responsibility to comply with installation clearances specified on the model/serial rating plate. The model/serial rating plate is located behind the left filter on the rear wall of the vent hood.

Range hood location should be away from strong draft areas, such as windows, doors, and strong heating vents.

Cabinet opening dimensions that are shown must be used. Given dimensions provide minimum clearance.

Grounded electrical outlet is required. See the "Electrical Requirements" section.

The Range hood is factory set for venting through the roof or wall.

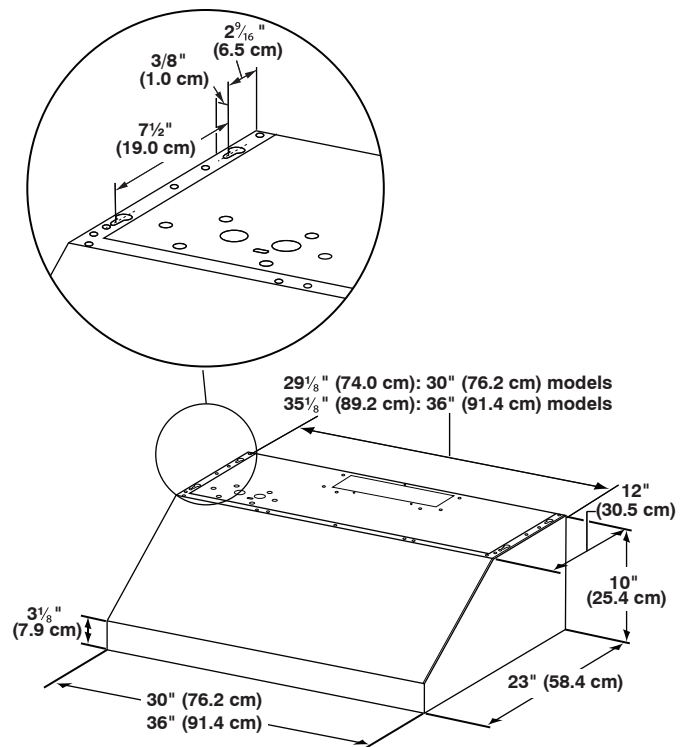
All openings in ceiling and wall where Range hood will be installed must be sealed.

For Mobile Home Installations

The installation of this range hood must conform to the Manufactured Home Construction Safety Standards, Title 24 CFR, Part 328 (formerly the Federal Standard for Mobile Home Construction and Safety, Title 24, HUD, Part 280) or when such standard is not applicable, the standard for Manufactured Home Installation 1982 (Manufactured Home Sites, Communities and Setups) ANSI A225.1/NFPA 501A, or latest edition, or with local codes.

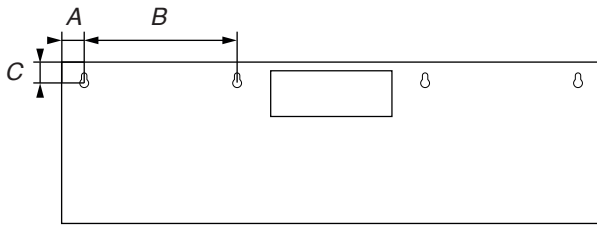
Product Dimensions

Front View



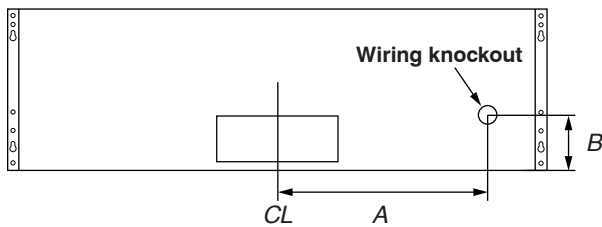
†®TORX and T20® are registered trademarks of Acument Intellectual Properties, LLC.

Back View



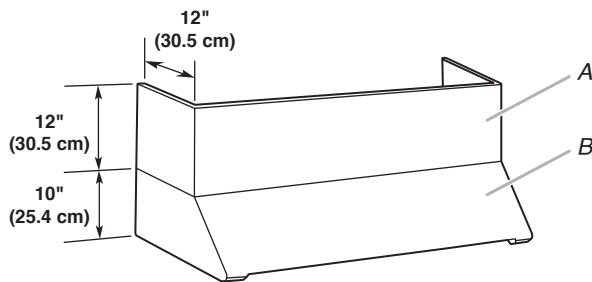
Back view	30" (76.2 cm)	36" (91.4 cm)
A	1 ¹ / ₈ " (2.9 cm)	1 ¹ / ₈ " (2.9 cm)
B	7" (17.8 cm)	9 ⁷ / ₈ " (25 cm)
C	5/8" (1.6 cm)	5/8" (1.6 cm)

Top View



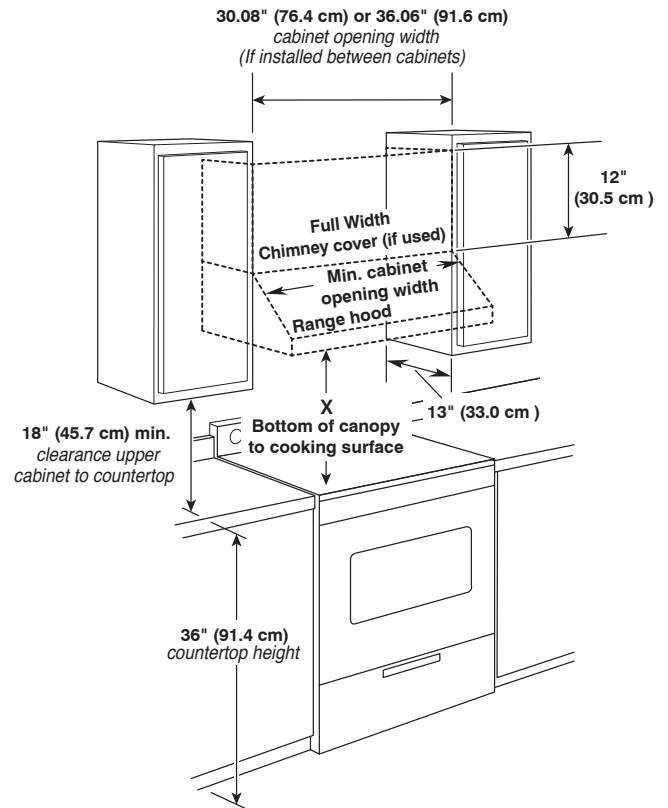
Top view	30" (76.2 cm)	36" (91.4 cm)
A	12 ³ / ₁₆ " (31 cm)	15.2" (38.6 cm)
B	7 ⁷ / ₈ " (20 cm)	7 ⁷ / ₈ " (20 cm)

Optional Full-Width Chimney Cover Installations



A. Optional full-width chimney cover
B. Range hood

Cabinet Dimensions



IMPORTANT: Minimum distance "X" : 24" (61.0 cm) to electric cooking surface and 30" (76.2 cm) to gas cooking surface. Suggested maximum distance "X" : 36" (91.4 cm).

Venting Requirements

- Vent system must terminate to the outdoors.
- Do not terminate the vent system in an attic or other enclosed area.
- Do not use a 4" (10.2 cm) laundry-type wall cap.
- Use metal vent only. Rigid metal vent is recommended.
- The length of vent system and number of elbows should be kept to a minimum to provide efficient performance.

For the most efficient and quiet operation:

- Use no more than three 90° elbows.
- Make sure there is a minimum of 24" (61.0 cm) of straight vent between the elbows if more than one elbow is used.
- Do not install two elbows together.
- Use clamps to seal all joints in the vent system.
- The vent system must have a damper. If roof or wall cap has a damper, do not use damper supplied with the range hood.
- Use caulking to seal exterior wall or roof opening around the cap.
- The size of the vent should be uniform.

Cold Weather Installations

An additional back draft damper should be installed to minimize backward cold air flow and a thermal break should be installed to minimize conduction of outside temperatures as part of the vent system. The damper should be on the cold air side of the thermal break.

The break should be as close as possible to where the vent system enters the heated portion of the house.

Makeup Air

Local building codes may require the use of makeup air systems when using ventilation systems greater than specified CFM of air movement. The specified CFM varies from locale to locale. Consult your HVAC professional for specific requirements in your area.

Venting Methods

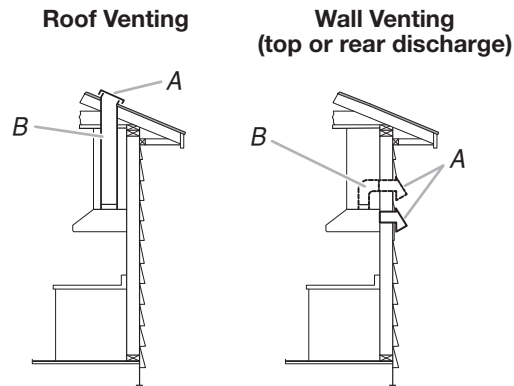
This range hood is factory set for venting through the roof or wall.

A 3 1/4" x 10" (8.3 x 25.4 cm) rectangular vent system is needed for installation (not included). The hood exhaust opening is 3 1/4" x 10" (8.3 x 25.4 cm). Vent system can terminate either through the roof or wall. To vent out of the top of the range hood and through a wall, a 90° elbow is needed. See "Install Range Hood" section for details for installing the damper.

NOTE: Flexible vent is not recommended. Flexible vent creates back pressure and air turbulence that gently reduce performance.

Rear discharge

This range hood can be vented directly out the back using the 3 1/4" x 10" (8.3 cm x 25.4 cm) rectangular damper (supplied) along with a 3 1/4" x 10" (8.3 cm x 25.4 cm) rectangular vent system (not supplied). See "Install Range Hood" section for details for installing the damper.



A. Roof cap
B. 3 1/4" x 10" (8.3 x 25.4 cm) rectangular metal vent

A. Wall cap
B. 3 1/4" x 10" (8.3 x 25.4 cm) rectangular metal vent

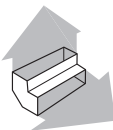
Calculating Vent System Length

To calculate the length of the system you need, add the equivalent feet (meters) for each vent piece used in the system.

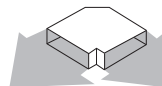
3 1/4" x 10" (8.3 x 25.4 cm) Vent System

Vent Piece

3 1/4" x 10" (8.3 cm x 25.4 cm) 90° elbow 5.0 ft (1.5 m)



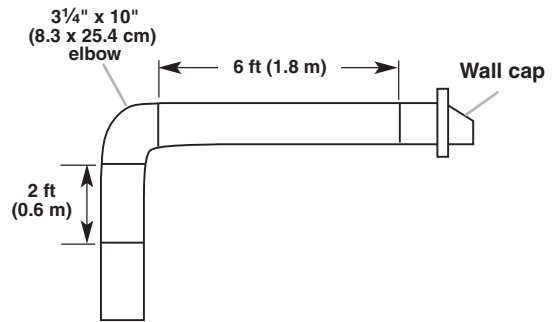
3 1/4" x 10" (8.3 x 25.4 cm) flat elbow 12.0 ft (3.7 m)



3 1/4" x 10" (8.3 x 25.4 cm) wall cap 0.0 ft (0.0 m)



Example vent system



Maximum Recommended Length = 35 ft (10.7 m)

1 - 90° elbow = 5.0 ft (1.5 m)

8 ft (2.4 m) straight = 8.0 ft (2.4 m)

1 - wall cap = 0.0 ft (0.0 m)

Length of system 3 1/4" x 10" (8.3 cm x 25.4 cm) = 13.0 ft (3.9 m)

Electrical Requirements

Observe all governing codes and ordinances.

Ensure that the electrical installation is adequate and in conformance with National Electrical Code, ANSI/NFPA 70 (latest edition), or CSA Standards C22.1-94, Canadian Electrical Code, Part 1 and C22.2 No. 0-M91 (latest edition) and all local codes and ordinances.

If codes permit and a separate ground wire is used, it is recommended that a qualified electrician determine that the ground path is adequate.

A copy of the above code standards can be obtained from:

National Fire Protection Association
1 Batterymarch Park
Quincy, MA 02169-7471
CSA International
8501 East Pleasant Valley Road
Cleveland, OH 44131-5575

- A 120 V ~, 463 W, 60 Hz, AC only, 3.8 A, fused electrical circuit is required.
- If the house has aluminum wiring, follow the procedure below:
Connect the aluminum wiring using special connectors and/or tools designed and UL listed for joining copper to aluminum.
Follow the electrical connector manufacturer's recommended procedure. Aluminum/copper connection must conform with local codes and industry accepted wiring practices.
- Wire sizes and connections must conform with the rating of the appliance as specified on the model/serial rating plate. The model/serial plate is located behind the filter on the rear wall of the range hood.
- Wire sizes must conform to the requirements of the National Electrical Code, ANSI/NFPA 70 (latest edition), or CSA Standards C22.1-94, Canadian Electrical Code, Part 1 and C22.2 No. 0-M91 (latest edition) and all local codes and ordinances.

INSTALLATION INSTRUCTIONS

Prepare Location

- It is recommended that the vent system be installed before hood is installed.
 - If you are installing a full width duct cover, follow the instructions included with that product.
 - Before making cutouts, make sure there is proper clearance within the ceiling or wall for exhaust vent.
 - Check your ceiling height and the hood height maximum before you select your hood.
1. Disconnect power.
 2. Determine which venting method to use: roof or wall.
 3. Select a flat surface for assembling the range hood. Place covering over that surface.

⚠ WARNING

Excessive Weight Hazard

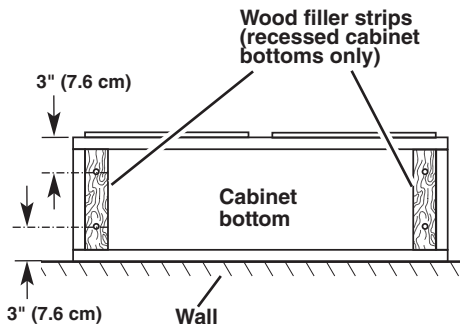
Use two or more people to move and install range hood.

Failure to do so can result in back or other injury.

4. Using two or more people, lift range hood onto covered surface.
NOTE: This range hood can be mounted to the cabinets or to the wall.

For Cabinet Installations

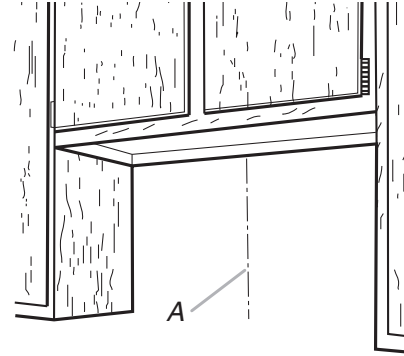
If cabinet has recessed bottom, add wood filler strips on each side. Install screws to attach filler strips in locations shown.



Determine Wiring Hole Location

Cut only one 1 1/4" (3.2 cm) diameter wiring access hole. See Step 2 for wiring hole location instructions.

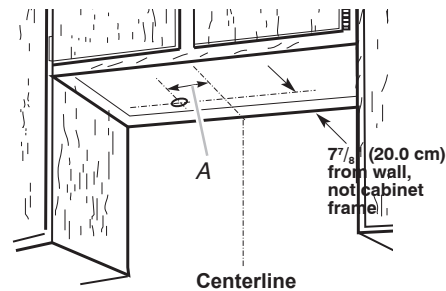
1. Determine and clearly mark a vertical centerline on the wall and cabinet in the area the vent opening will be made.



A. Centerline

2. **To wire through top:**

Mark a line distance "A" from the left of the centerline on the underside of the cabinet. Mark the point on this line that is 7 7/8" (20.0 cm) from back wall. Drill a 1 1/4" (3.2 cm) diameter hole through the cabinet at this point.



A. 12³/₁₆" (31.0 cm)

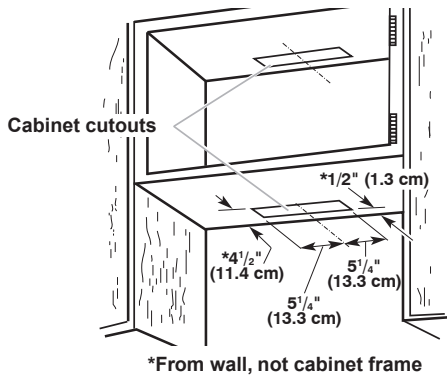
Cut Openings for 3 1/4" x 10" (8.3 cm x 25.4 cm) Rectangular Vent System

Roof Venting

To make a 4" x 10 1/2" (10.2 cm x 26.7 cm) rectangular cutout on the underside of cabinet top and bottom:

1. Mark lines 1/2" (1.3 cm) and 4 1/2" (11.4 cm) from the back wall on the centerline of the underside of cabinet.
2. Mark lines 5 1/4" (13.3 cm) to the right and left of the centerline on the underside of cabinet.
3. Use saber or keyhole saw to cut a rectangular opening for vent.

- Repeat steps 1-3 for the underside of the top of the cabinet.



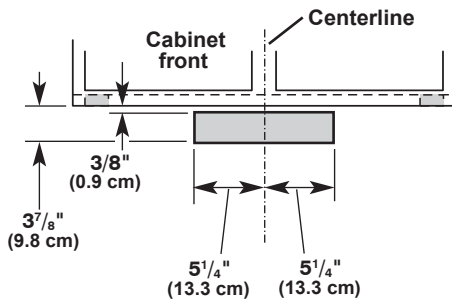
*From wall, not cabinet frame

Wall Venting Under Cabinet

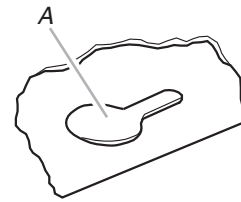
To make a 3 1/2" x 10 1/2" (8.9 cm x 26.7 cm) rectangle in the wall:

- Make two lines by measuring 3/8" (9.5 mm) and 3 7/8" (9.8 cm) down from underside of cabinet and mark on the centerline on the back wall.
- Mark lines 5 1/4" (13.3 cm) to the right and left of the centerline on the wall.

Use saber or keyhole saw to cut a rectangular opening in the wall for the vent.



- Mark centers of the fastener locations through the templates to the wall and to the cabinet. Then remove the templates.



A. Keyhole slot

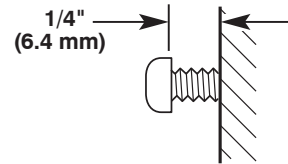
IMPORTANT: All screws must be installed into wood. If there is no wood to screw into, additional wall framing supports may be required.

- Drill 3/16" (4.8 mm) pilot holes at all locations where screws are being installed into wood.



A. Drill pilot hole

- Install the 4 - 5 x 45 mm mounting screws. Leave a 1/4" (6.4 mm) gap between the wall and the back of the screw head to slide range hood into place.

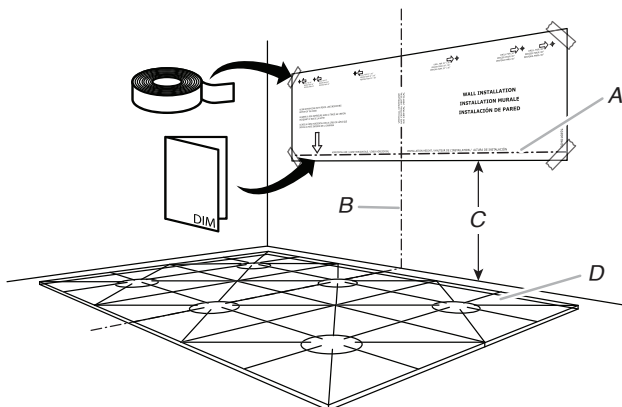


- Determine and make all necessary cuts in the wall or ceiling for the vent system. Install the vent system before installing the hood. See "Venting Requirements" section.

Complete Preparation

For Wall Installations:

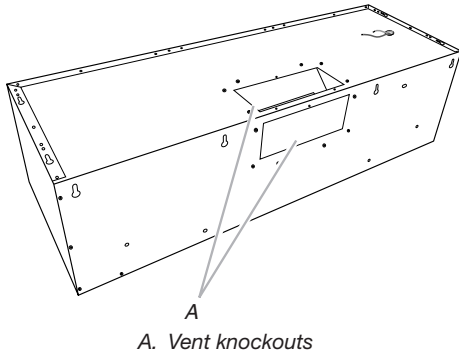
- Determine and mark the centerline on the wall where the range hood will be installed. Follow the same centerline and mark on in the bottom of cabinet.
- Select a mounting height between a minimum of 24" (61.0 cm) for electric cooking surfaces and 30" (76.2 cm) for gas cooking surfaces. The suggested maximum height is 36" (91.4 cm) above the range to the bottom of the hood. Mark a horizontal reference line on the wall.
- Tape templates in place, aligning the WALL template centerline and bottom of template with hood bottom line and with the centerline marked on the wall.



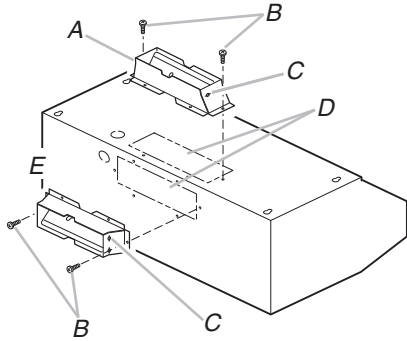
- A. Horizontal reference line
- B. Vertical centerline
- C. Mounting height
- D. Cooking surface

Install Range Hood

1. Depending on your installation, remove either top or rear rectangular vent knockout.



2. Remove tape from damper flap.
NOTE: The 3¹/₄" x 10" (8.3 x 25.4 cm) rectangular damper can be installed up to 1" (2.5 cm) on either side of the hood center to accommodate off center duct work.
3. Attach the 3¹/₄" x 10" (8.3 x 25.4 cm) rectangular vent connector to the range hood using sheet metal screws.



- A. Top venting
B. Sheet metal screws
C. Hinge pin
D. Vent knockouts
E. Rear venting

NOTE: If the wall cap is directly behind the 3¹/₄" x 10" (8.3 x 25.4 cm) rectangular vent connector, check that the damper and the wall cap do not interfere with each other. Remove the damper from the 3¹/₄" x 10" (8.3 x 25.4 cm) rectangular vent connector if they interfere.

4. Using two or more people, lift the hood into final position. Feed enough electrical wire through the 1/2" (12.7 mm) UL listed or CSA approved strain relief to make connections in the terminal box. Tighten the strain relief screws.
5. Position the range hood so that the large end of the keyhole slots are over the mounting screws. Then push the hood toward the wall (for cabinet mounting) or allow the range hood to slide down to the marked mounting height (for wall mounting) so that the screws are in the neck of the slots. Tighten the mounting screws, making sure the screws are in the narrow neck of slots. (For wall mount, check that the hood is level).
6. Connect ventwork to hood. Seal joints with clamps to make secure and airtight.
7. Check that back draft dampers work properly.

Make Electrical Connection

⚠ WARNING



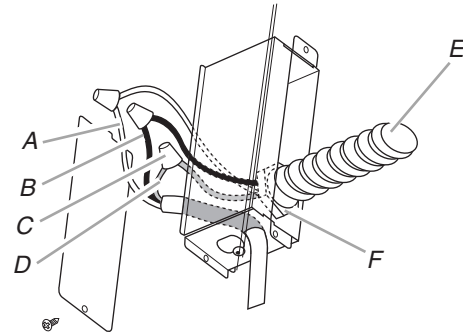
Electrical Shock Hazard

Disconnect power before servicing.

Replace all parts and panels before operating.

Failure to do so can result in death or electrical shock.

1. Disconnect power.



- A. White wires
B. Black wires
C. UL listed wire connector
D. Green (or bare) and yellow-green ground wire
E. Home power supply cable
F. UL listed or CSA approved 1/2" (1.3 cm) strain relief

2. Use UL listed wire connectors and connect white wires (A) together.
3. Use UL listed wire connectors and connect black wires (B) together.

⚠ WARNING



Electrical Shock Hazard

Electrically ground blower.

Connect ground wire to green and yellow ground wire in terminal box.

Failure to do so can result in death or electrical shock.

4. Connect green (or bare) ground wire from home power supply to yellow-green ground wire (C) in terminal box using UL listed wire connectors.
5. Install terminal box cover.
6. Check that all light bulbs are secure in their sockets.
7. Reconnect power.

Install Vent Covers (Optional)

If you are installing an optional full width duct cover, follow the instructions included with that product.

Complete Installation

1. Install metal grease filters. See the “Range Hood Care” section.
2. Check the operation of the range hood blower and light. See the “Range Hood Use” section.
NOTE: To get the most efficient use from your new range hood, read the “Range Hood Use” section.

RANGE HOOD USE

The range hood is designed to remove smoke, cooking vapors, and odors from the cooktop area. For best results, start the hood before cooking and allow it to operate several minutes after the cooking is complete to clear all smoke and odors from the kitchen.



- A. Fan speed control
B. Fan boost level
C. Light intensity control

Range Hood Controls

Operating the Light

1. Press the light control buttons (C) to turn on and control the light settings.
2. To select a lower intensity, press the left of the two light control buttons until desired light setting. To increase, press the right button.

Operating the Fan

1. Press the fan speed control buttons (A) to turn on and control the fan settings.
2. To boost the fan speed for five minutes, press the Fan Boost level button (B). Once the five minutes have passed, the fan will return to the previously selected speed.

Auto On Fan

The range hood has a built in sensor to automatically turn the fan on when excessive heat is detected. If needed, the sensor will turn the fan to the Boost setting, and once the heat decreases, the fan will automatically turn off.

Thermal Protector

If the range hood shuts off while in use, press OFF button to turn off the range hood. Wait approximately 60 minutes, then press ON to restart the range hood.

The range hood is equipped with a thermal protector to avoid overheating conditions.

RANGE HOOD CARE

Cleaning

IMPORTANT: Clean the hood and grease filters frequently according to the following instructions. Replace grease filters before operating hood.

Exterior Surfaces:

To avoid damage to the exterior surface, do not use steel wool or soap-filled scouring pads.

Always wipe dry to avoid water marks.

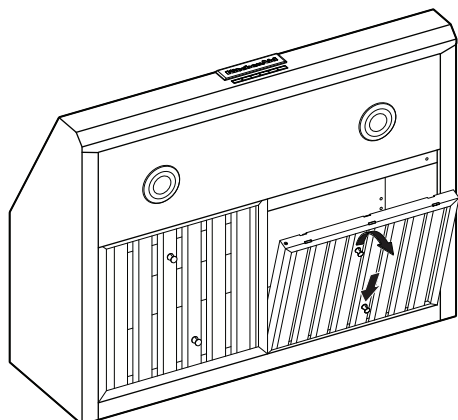
Cleaning Method:

- Liquid detergent soap and water, or all-purpose cleanser.
- Wipe with damp soft cloth or nonabrasive sponge, then rinse with clean water and wipe dry.

Metal Grease Filter

To Remove Metal Grease Filters:

1. Use two hands to remove the metal grease filters. Grasp filter handles, push toward the rear of the range hood, and pull down on the front handle to remove.



2. Repeat for each grease filter.
3. Grease filters should be cleaned using warm water, dishwashing liquid, and a non abrasive brush. Dishwasher not recommended.

To Reinstall Metal Grease Filters:

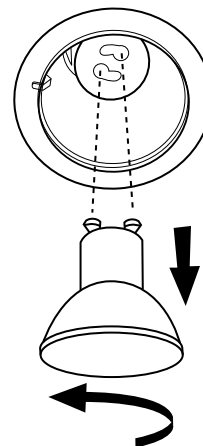
1. Grasp filter handles and place rear of filter into rear track.
2. Push down on the rear handle and set the front of the grease filter into the front track to secure.
3. Repeat for each filter.

Replacing a LED lamp

Turn off the range hood and allow the LED bulb to cool. To avoid damage or decreasing the life of the new lamp, do not touch lamp with bare fingers. Replace lamp, using tissue or wearing cotton gloves to handle bulb.

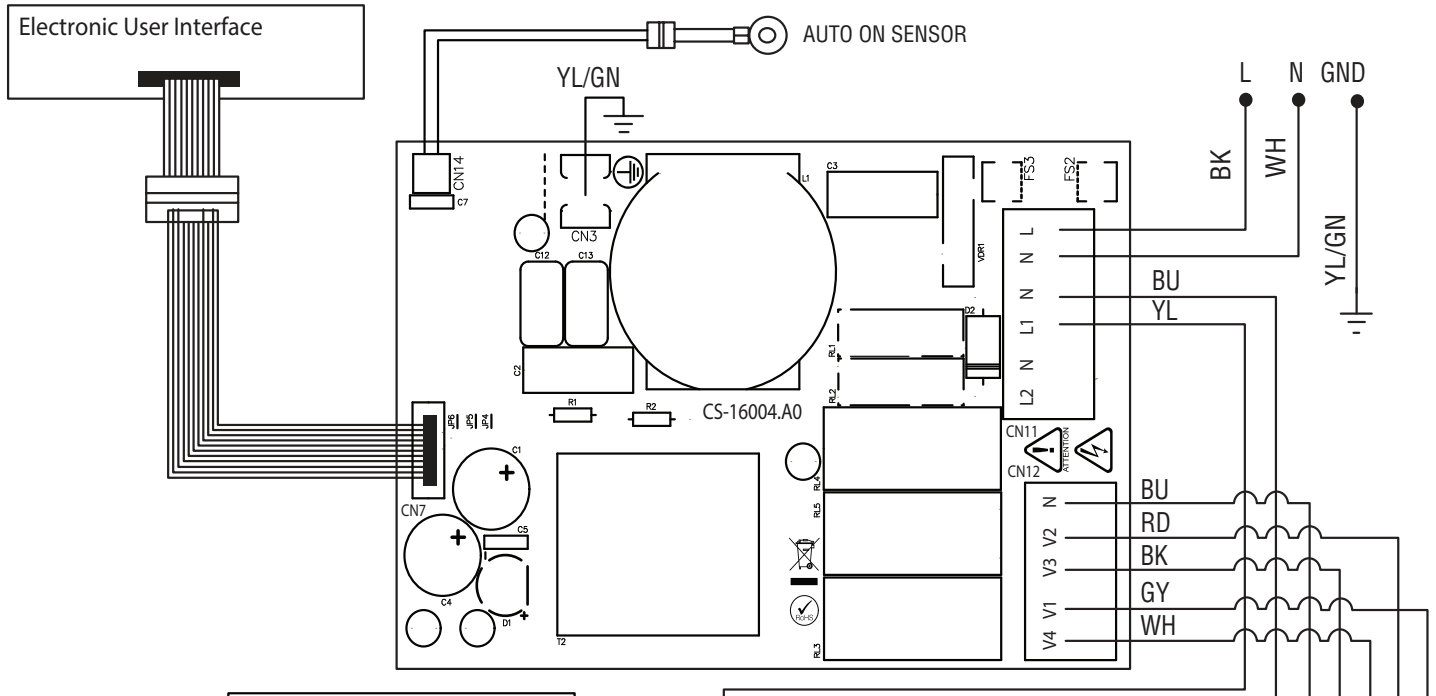
If new lamps do not operate, make sure the lamps are inserted correctly before calling service.

1. Disconnect power.
2. Push up on the lens and turn it counterclockwise.

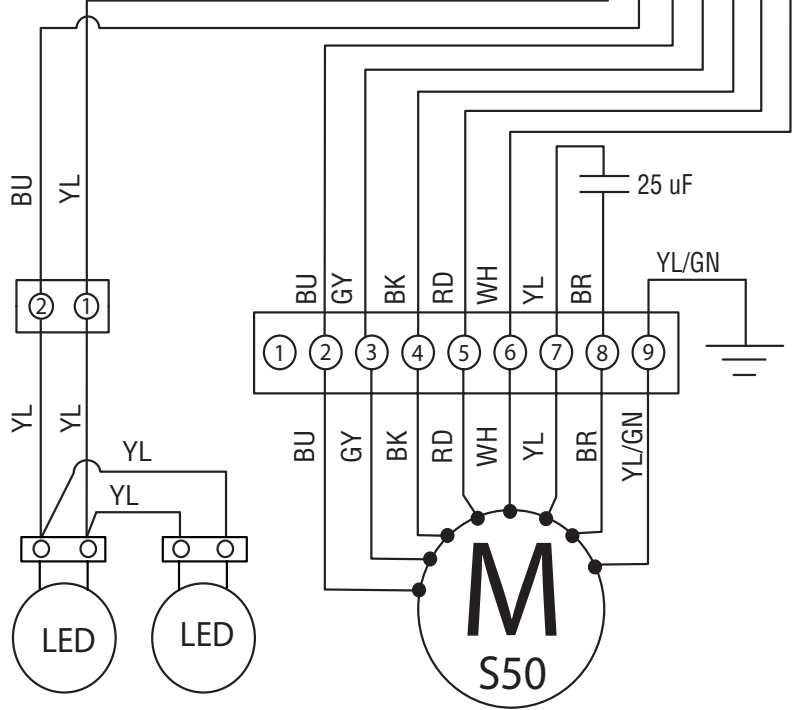


3. Remove the lamp and replace it with a 120 V, 6.5 W maximum LED bulb with a GU10 base. Turn it clockwise to lock it into place.
4. Repeat steps 2-3 for the other bulb if needed.
5. Reconnect power.

WIRING DIAGRAM



MOTOR SPECIFICATIONS	
Power Supply	120 VAC
Frequency	60 Hz
Power Absorption	420 W
Current	3.7 A
MOTOR RESISTANCE (Ω)	
Blue - Black	9.8
Blue - Grey	14.3
Blue - Red	18
Blue - White	21.6
Room Temp.	23°C 74°F



ASSISTANCE OR SERVICE

When calling for assistance or service, please know the purchase date and the complete model and serial number of your appliance. This information will help us to better respond to your request.

If you need replacement parts

If you need to order replacement parts, we recommend that you use only factory specified parts. Factory specified parts will fit right and work right because they are made with the same precision used to build every new appliance. To locate factory specified replacement parts in your area, call us or your nearest designated service center.

In the U.S.A.

If you have any problems or questions, call KitchenAid at **1-800-422-1230**.

Our consultants provide assistance with:

- Features and specifications on our full line of appliances.
- Installation information.
- Use and maintenance procedures.
- Accessory and repair parts sales.
- Specialized customer assistance (Spanish speaking, hearing impaired, limited vision, etc.).
- Referrals to local dealers, repair parts distributors and service companies. KitchenAid designated service technicians are trained to fulfill the product warranty and provide afterwarranty service, anywhere in the United States.

To locate the KitchenAid designated service company in your area, you can also look in your telephone directory Yellow Pages.

For further assistance:

If you need further assistance, you can write to KitchenAid with any questions or concerns at:

KitchenAid Brand Home Appliances
Customer eXperience Center
553 Benson Road
Benton Harbor, MI 49022-2692

Please include a daytime phone number in your correspondence.

In Canada

Call the KitchenAid Canada Customer eXperience Centre toll free: **1-800-807-6777**.

Our consultants provide assistance with:

- Features and specifications on our full line of appliances.
- Use and maintenance procedures.
- Accessory and repair parts sales.
- Referrals to local dealers, repair parts distributors and service companies. KitchenAid Canada designated service technicians are trained to fulfill the product warranty and provide after-warranty service, anywhere in Canada.

For further assistance:

If you need further assistance, you can write to KitchenAid Canada with any questions or concerns at:

KitchenAid Brand Home Appliances
Customer eXperience Centre
200 - 6750 Century Ave.
Mississauga, Ontario L5N 0B7

Please include a daytime phone number in your correspondence.

SÉCURITÉ DE LA HOTTE

Votre sécurité et celle des autres est très importante.

Nous donnons de nombreux messages de sécurité importants dans ce manuel et sur votre appareil ménager. Assurez-vous de toujours lire tous les messages de sécurité et de vous y conformer.



Voici le symbole d'alerte de sécurité.

Ce symbole d'alerte de sécurité vous signale les dangers potentiels de décès et de blessures graves à vous et à d'autres.

Tous les messages de sécurité suivront le symbole d'alerte de sécurité et le mot "DANGER" ou "AVERTISSEMENT". Ces mots signifient :

⚠ DANGER

Risque possible de décès ou de blessure grave si vous ne suivez pas immédiatement les instructions.

⚠ AVERTISSEMENT

Risque possible de décès ou de blessure grave si vous ne suivez pas les instructions.

Tous les messages de sécurité vous diront quel est le danger potentiel et vous disent comment réduire le risque de blessure et ce qui peut se produire en cas de non-respect des instructions.

IMPORTANTES INSTRUCTIONS DE SÉCURITÉ

AVERTISSEMENT : POUR RÉDUIRE LE RISQUE D'INCENDIE, CHOC ÉLECTRIQUE OU DOMMAGES CORPORELS, RESPECTER LES INSTRUCTIONS SUIVANTES :

- Utiliser cet appareil uniquement dans les applications envisagées par le fabricant. Pour toute question, contacter le fabricant.
- Avant d'entreprendre un travail d'entretien ou de nettoyage, interrompre l'alimentation de la hotte au niveau du tableau de disjoncteurs, et verrouiller le tableau de disjoncteurs pour empêcher tout rétablissement accidentel de l'alimentation du circuit. Lorsqu'il n'est pas possible de verrouiller le tableau de disjoncteurs, placer sur le tableau de disjoncteurs une étiquette d'avertissement proéminente interdisant le rétablissement de l'alimentation.
- Tout travail d'installation ou câblage électrique doit être réalisé par une personne qualifiée, dans le respect des prescriptions de tous les codes et normes applicables, y compris les codes du bâtiment et de protection contre les incendies.
- Ne pas faire fonctionner un ventilateur dont le cordon ou la fiche est endommagé(e). Jeter le ventilateur ou le retourner à un centre de service agréé pour examen et/ou réparation.
- Une source d'air de débit suffisant est nécessaire pour le fonctionnement correct de tout appareil à gaz (combustion et évacuation des gaz à combustion par la cheminée), pour qu'il n'y ait pas de reflux des gaz de combustion. Respecter les directives du fabricant de l'équipement de chauffage et les prescriptions des normes de sécurité - comme celles publiées par la National Fire Protection Association (NFPA) et l'American Society for Heating, Refrigeration and Air Conditioning Engineers (ASHRAE), et les prescriptions des autorités réglementaires locales.
- Lors des opérations de découpage et de perçage dans un mur ou un plafond, ne pas endommager les câblages électriques et les canalisations qui peuvent s'y trouver.
- Les ventilateurs d'évacuation doivent toujours décharger l'air à l'extérieur.

MISE EN GARDE : Cet appareil est conçu uniquement pour la ventilation générale. Ne pas l'utiliser pour l'extraction de matières ou vapeurs dangereuses ou explosives.

MISE EN GARDE : Pour minimiser le risque d'incendie et évacuer adéquatement les gaz, veiller à acheminer l'air aspiré par un conduit jusqu'à l'extérieur - ne pas décharger l'air aspiré dans un espace vide du bâtiment comme une cavité murale, un plafond, un grenier, un vide sanitaire ou un garage.

AVERTISSEMENT : POUR RÉDUIRE LE RISQUE D'INCENDIE, UTILISER UNIQUEMENT DES CONDUITS MÉTALLIQUES.

AVERTISSEMENT : POUR MINIMISER LE RISQUE D'UN FEU DE GRAISSE SUR LA CUISINIÈRE :

- Ne jamais laisser un élément de surface fonctionner à puissance de chauffage maximale sans surveillance. Un renversement/débordement de matière grasseuse pourrait provoquer une inflammation et la génération de fumée. Utiliser une puissance de chauffage moyenne ou basse pour le chauffage d'huile.
- Veiller à toujours faire fonctionner le ventilateur de la hotte lors de la cuisson avec une puissance de chauffage élevée ou lors de la cuisson d'un mets à flamber (à savoir crêpes Suzette, cerise jubilee, steak au poivre flambé).
- Nettoyer fréquemment les ventilateurs d'extraction. Veiller à ne pas laisser la graisse s'accumuler sur les surfaces du ventilateur ou des filtres.
- Utiliser toujours un ustensile de taille appropriée. Utiliser toujours un ustensile adapté à la taille de l'élément chauffant.

AVERTISSEMENT : POUR RÉDUIRE LE RISQUE DE DOMMAGES CORPORELS APRÈS LE DÉCLENCHEMENT D'UN FEU DE GRAISSE SUR LA CUISINIÈRE, APPLIQUER LES RECOMMANDATIONS SUIVANTES :^a

- Placer sur le récipient un couvercle bien ajusté, une tôle à biscuits ou un plateau métallique POUR ÉTOUFFER LES FLAMMES, puis éteindre le brûleur. VEILLER À ÉVITER LES BRÛLURES. Si les flammes ne s'éteignent pas immédiatement, ÉVACUER LA PIÈCE ET APPELER LES POMPIERS.
- NE JAMAIS PRENDRE EN MAIN UN RÉCIPIENT ENFLAMMÉ - vous risquez de vous brûler.
- NE PAS UTILISER D'EAU, ni un torchon humide - ceci pourrait provoquer une explosion de vapeur brûlante.
- Utiliser un extincteur SEULEMENT si :
 - Il s'agit d'un extincteur de classe ABC, dont on connaît le fonctionnement.
 - Il s'agit d'un petit feu encore limité à l'endroit où il s'est déclaré.
 - Les pompiers ont été contactés.
 - Il est possible de garder le dos orienté vers une sortie pendant l'opération de lutte contre le feu.

^aRecommandations tirées des conseils de sécurité en cas d'incendie de cuisine publiés par la NFPA.

- **AVERTISSEMENT :** Pour réduire le risque d'incendie ou de choc électrique, ne pas utiliser ce ventilateur avec un quelconque dispositif de réglage de la vitesse à semi-conducteurs.

LIRE ET CONSERVER CES INSTRUCTIONS

EXIGENCES D'INSTALLATION

Outils et pièces

Rassembler les outils et pièces nécessaires avant d'entreprendre l'installation. Lire et observer les instructions fournies avec chacun des outils de la liste ci-dessous.

REMARQUE : Cette hotte est recommandée pour une utilisation avec une surface de cuisson avec cote maximale de 75 000 BTU ou moins pour la hotte de 30 po (76,2 cm) et de 90 000 BTU ou moins pour la hotte de 36 po (91,4 cm).

Outils nécessaires

- Niveau
- Perceuse avec forets de 1 1/4 po (3,0 cm), 3/16 po (4,8 mm), 1/8 po (3,0 mm) et 5/16 po (7,9 mm)
- Crayon
- Pince à dénuder ou couteau à lame rétractable
- Ruban à mesurer ou règle
- Pince
- Pistolet à calfeutrage et calfeutrante étanche
- Brides de conduit
- Scie sauteuse ou scie à guichet
- Tournevis à tête plate
- Cisaille à métaux
- Tournevis à tête cruciforme
- Ensemble de clés à tête hexagonale (système métrique)

Pièces nécessaires

- Câble d'alimentation électrique du domicile
- 1 serre-câbles de 1/2 po (1,3 cm) (homologation UL ou CSA)
- 3 connecteurs de fils homologués UL
- 1 bouche de décharge (décharge à travers le mur ou à travers le toit)
- Circuit d'évacuation métallique
- Cache-cheminée (facultatif)
- Ruban adhésif de marquage

Pièces fournies

Retirer les pièces de leur emballage. Vérifier que toutes les pièces sont présentes.

- Hotte avec ventilateur et lampes installés
- Connecteur 3 1/4 po x 10 po (8,3 cm x 25,4 cm) pour conduit rectangulaire
- 2 filtres à graisse métalliques, pour modèle de 30 po (76,2 cm)
- 3 filtres à graisse métalliques, pour modèle de 36 po (91,4 cm)
- Adaptateur T20® Torx®†
- 4 vis de montage de 5 x 45 mm
- 6 vis de 4,5 x 13 mm
- 3 vis de 4 x 8 mm
- 4 chevilles d'ancrage de 10 x 50
- Gabarit d'installation MURAL pour les modèles de 30 po (76,2 cm) et 36 po (91,4 cm)
- Gabarit d'installation pour ARMOIRE pour les modèles de 30 po (76,2 cm) et 36 po (91,4 cm)

Exigences d'emplacement

IMPORTANT : Observer les dispositions de tous les codes et règlements en vigueur. Confier l'installation de la hotte à un technicien qualifié. C'est à l'installateur qu'incombe la responsabilité de respecter les distances de séparation spécifiées sur la plaque signalétique. La plaque signalétique de l'appareil est située derrière le filtre de gauche, sur la paroi arrière de la hotte.

La hotte devrait être située loin des sources de courant d'air comme les fenêtres, portes et bouches de chauffage.

Respecter les dimensions indiquées pour les ouvertures à découper dans les meubles. Ces dimensions représentent les valeurs minimales des dégagements.

Une prise électrique avec liaison à la terre est nécessaire. Voir la section « Spécifications électriques ».

La hotte est configurée à l'usine pour la décharge à travers le toit ou le mur.

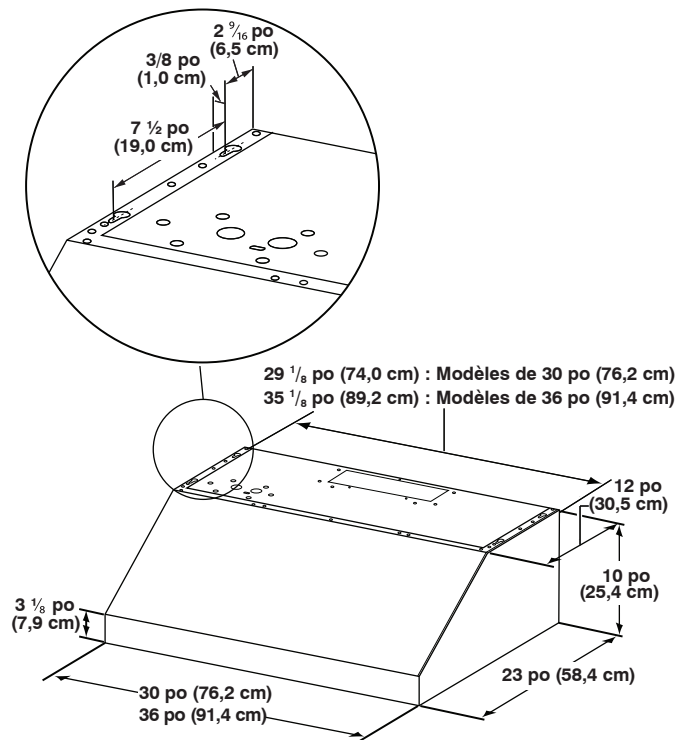
Toutes les ouvertures dans le plafond et le mur de l'emplacement d'installation de la hotte doivent être scellées.

Pour une installation dans une résidence mobile

L'installation de cette hotte doit s'effectuer conformément aux descriptions de la norme Manufactured Home Construction Safety Standards, Title 24 CFR, Part 328 (anciennement Federal Standard for Mobile Home Construction and Safety, title 24, HUD, Part 280) ou lorsque cette norme n'est pas applicable, utiliser la norme Standard for Manufactured Home Installations 1982 (Manufactured Home Sites, Communities and Setups) ANSI A225.1/NFPA 501A ou respecter les dispositions des codes locaux.

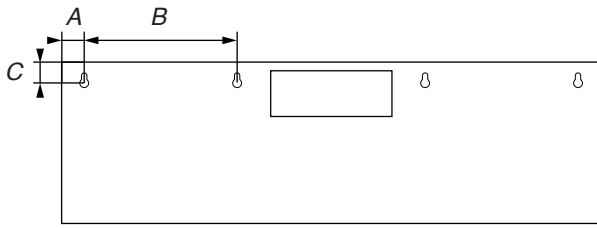
Dimensions du produit

Vue de face



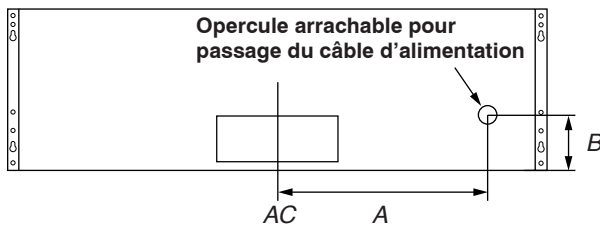
†®TORX et T20® sont des marques déposées de Acument Intellectual Properties, LLC.

Vue arrière



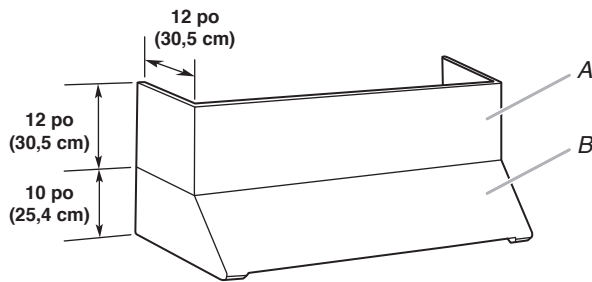
Vue arrière	30 po (76,2 cm)	36 po (91,4 cm)
A	1 1/8 po (2,9 cm)	1 1/8 po (2,9 cm)
B	7 po (17,8 cm)	9 7/8 po (25 cm)
C	5/8 po (1,6 cm)	5/8 po (1,6 cm)

Vue du dessus



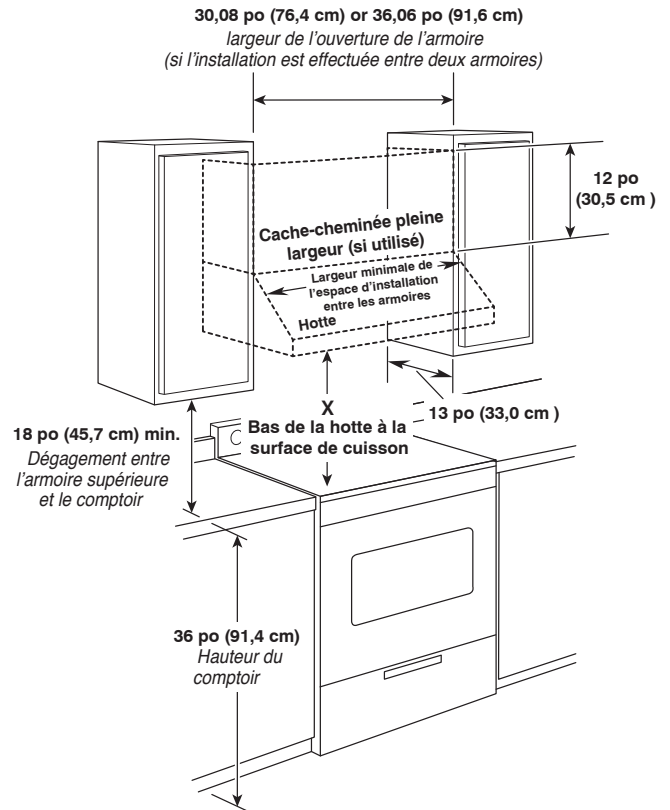
Vue du dessus	30 po (76,2 cm)	36 po (91,4 cm)
A	12 3/16 po (31 cm)	15,2 po (38,6 cm)
B	7 7/8 po (20 cm)	7 7/8 po (20 cm)

Installations alternatives avec cache-cheminée pleine largeur



A. Cache-cheminée pleine largeur (facultatif)
B. Hotte

Dimensions de l'armoire



IMPORTANT : Valeur minimale de la distance « X » : 24 po (61,0 cm) de la surface de cuisson électrique, 30 po (76,2 cm) de la surface de cuisson au gaz.

Valeur maximale suggérée pour la distance « X » : 36 po (91,4 cm).

Exigences d'évacuation

- Le système doit évacuer l'air à l'extérieur.
- Ne pas terminer le circuit d'évacuation dans un grenier ou dans un autre espace clos.
- Ne pas utiliser une bouche d'évacuation murale de 4 po (10,2 cm) normalement utilisée pour un équipement de buanderie.
- Utiliser un conduit métallique uniquement. Un conduit en métal rigide est recommandé.
- La longueur du circuit d'évacuation et le nombre de coudes doivent être réduits au minimum pour des performances optimales.

Pour un fonctionnement efficace et silencieux :

- Ne pas utiliser plus de trois coudes à 90°.
- Veiller à incorporer une section de conduit rectiligne d'au moins 24 po (61,0 cm) entre deux raccords coudés adjacents.
- Ne pas installer deux coudes ensemble.
- Au niveau de chaque jointure du circuit d'évacuation, assurer l'étanchéité avec les brides de serrage.
- Le circuit d'évacuation doit comporter un clapet anti-reflux. Si la bouche d'évacuation murale ou par le toit comporte un clapet anti-reflux, ne pas utiliser le clapet fourni avec la hotte.
- À l'aide d'un produit de calfeutrage, assurer l'étanchéité autour de la bouche de décharge à l'extérieur (à travers le mur ou le toit).
- La taille du conduit doit être uniforme.

Installations dans les régions au climat froid

Un clapet anti-reflux additionnel devrait être installé pour minimiser le reflux d'air froid et une barrière thermique devrait aussi être installée pour minimiser la conduction des températures extérieures par l'intermédiaire du conduit d'évacuation. Le clapet anti-reflux doit être placé du côté air froid de la barrière thermique.

La barrière thermique doit être aussi proche que possible de l'entrée du circuit d'évacuation dans la partie chauffée de la maison.

Air de compensation

Les codes locaux en bâtiment peuvent imposer l'emploi d'un circuit de renouvellement de l'air/introduction d'air de compensation, lors de l'utilisation d'un circuit d'aspiration de débit supérieur à une valeur spécifiée en pieds cubes par minute (CFM). Le débit spécifié en pieds cubes par minute varie d'une juridiction à l'autre. Consulter un professionnel des installations de chauffage ventilation/climatisation au sujet des exigences spécifiques applicables dans la juridiction locale.

Méthodes d'évacuation

Cette hotte est configurée à l'usine pour la décharge de l'air aspiré à travers le toit ou à travers un mur.

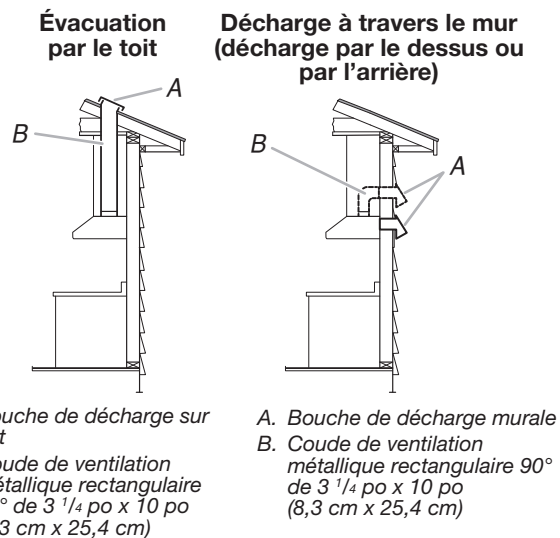
Un circuit d'évacuation en conduit rectangulaire de 3 1/4 po x 10 po (8,3 cm x 25,4 cm) est nécessaire pour l'installation (non fourni). L'ouverture de décharge de la hotte est 3 1/4 po x 10 po (8,3 cm x 25,4 cm). La sortie à l'extérieur du circuit d'évacuation peut se faire à travers le toit ou le mur. Un coude à 90° est nécessaire pour aspirer l'air du dessus de la hotte et à travers un mur. Voir la section « Installation de la hotte » pour les détails pour l'installation d'un clapet anti-reflux.

REMARQUE : L'emploi d'un conduit flexible est déconseillé.

Un conduit flexible peut causer une contre-pression et des turbulences d'air, qui réduisent considérablement la performance.

Décharge par l'arrière

L'air aspiré par la hotte peut être déchargé directement à l'arrière à l'aide du clapet anti-reflux rectangulaire 3 1/4 po x 10 po (8,3 cm x 25,4 cm) (fourni) en même temps qu'un circuit d'évacuation de conduit rectangulaire 3 1/4 po x 10 po (8,3 cm x 25,4 cm) (non fourni). Voir la section « Installation de la hotte » pour les détails pour l'installation d'un clapet anti-reflux.



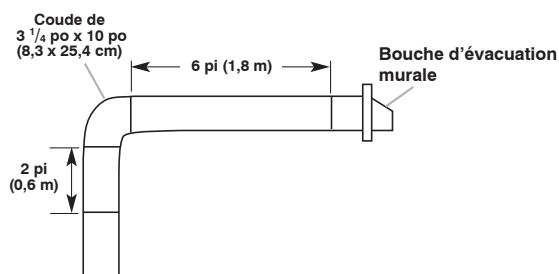
Calcul de la longueur du circuit d'évacuation

Pour calculer la longueur effective du circuit d'évacuation nécessaire, additionner les longueurs équivalentes (en pieds ou mètres) de tous les composants utilisés dans le circuit.

Système de décharge de 3 1/4 po x 10 po (8,3 cm x 25,4 cm)

Composant		
Coude à 90° de 3 1/4 po x 10 po (8,3 cm x 25,4 cm)	5 pi (1,5 m)	
Coude plat de 3 1/4 po x 10 po (8,3 cm x 25,4 cm)	12,0 pi (3,7 m)	
Bouche de décharge murale de 3 1/4 po x 10 po (8,3 cm x 25,4 cm)	0,0 pi (0,0 m)	

Exemple de circuit d'évacuation



Longueur maximum recommandée	= 35 pi (10,7 m)
1 coude de 90°	= 5 pi (1,5 m)
Section droite de 8 pi (2,4 m)	= 8 pi (2,4 m)
1 bouche de décharge murale	= 0 pi (0 m)
Longueur du système 3 1/4 po x 10 po (8,3 cm x 25,4 cm)	= 13 pi (3,9 m)

Spécifications électriques

Observer les dispositions de tous les codes et règlements en vigueur.

S'assurer que l'installation électrique est appropriée et conforme au National Electrical Code, à la norme ANSI/NFPA 70 (plus récente édition) ou à la norme CSA C22.1-94, au Code canadien de l'électricité, partie 1 et C22.2 No 0-M91 (plus récente édition) et à tous les codes et règlements locaux.

Si les codes le permettent et si on utilise un conducteur distinct de mise à la terre, il est recommandé qu'un électricien qualifié vérifie la qualité de la mise à la terre.

Pour obtenir un exemplaire des normes des codes ci-dessus, contacter :

National Fire Protection Association
1 Batterymarch Park
Quincy, MA 02169-7471
CSA International
8501 East Pleasant Valley Road
Cleveland, OH 44131-5575

- L'appareil doit être alimenté par un circuit de 120 V ~ CA à 60 Hz, 463 W, seulement et protégé par fusible de 3,8 A.
- Si le domicile possède un câblage en aluminium, suivre la procédure ci-dessous :
Connecter le câblage en aluminium en utilisant des capuchons ou des outils spécialement conçus et homologués UL pour raccorder le cuivre à l'aluminium.

Suivre la procédure recommandée par le fabricant de connecteurs électriques. Les raccordements aluminium/cuivre doivent satisfaire aux prescriptions des codes locaux et de l'industrie, et être conformes aux pratiques de câblage reconnues.

- Le calibre des conducteurs et les connexions doivent être compatibles avec les caractéristiques électriques de l'appareil spécifiées sur la plaque signalétique. La plaque signalétique de l'appareil est située derrière le filtre, sur la paroi arrière de la hotte.

- Le calibre des câbles et des raccordements doit être conforme au National Electrical Code, ANSI/NFPA 70 (édition la plus récente) ou CSA Standards C22. 1-94, Code canadien des installations électriques, partie 1 et C22.2 No 0-M91 (édition la plus récente) et de tous les codes et règlements en vigueur.

INSTRUCTIONS D'INSTALLATION

Préparation de l'emplacement

- On recommande d'installer le circuit d'évacuation avant d'entreprendre l'installation de la hotte.
 - Si l'on installe un cache-conduit pleine largeur, suivre les instructions fournies avec ce produit.
 - Avant d'effectuer des découpes, s'assurer que l'espace est suffisant sur le mur ou le plafond pour le conduit d'évacuation.
 - Avant de sélectionner la hotte à installer, mesurer la hauteur libre sous plafond et la hauteur maximum sous la hotte.
1. Débrancher l'alimentation.
 2. Déterminer la méthode d'évacuation à utiliser : évacuation par le plafond ou par le mur.
 3. Choisir une surface plane pour l'assemblage de la hotte. Placer le matériau de protection sur cette surface.

AVERTISSEMENT

Risque du poids excessif

Utiliser deux ou plus de personnes pour déplacer et installer la hotte de la cuisinière.

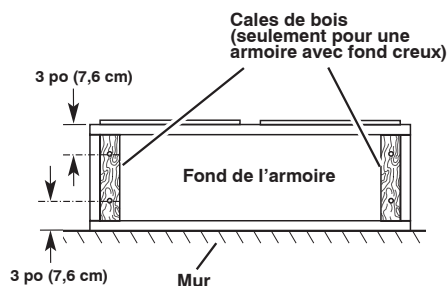
Le non-respect de cette instruction peut causer une blessure au dos ou d'autre blessure.

4. À l'aide de deux personnes ou plus, soulever la hotte et la poser sur la surface couverte.

REMARQUE : Cette hotte peut être montée sur des armoires ou sur le mur.

Pour les installations sur des armoires

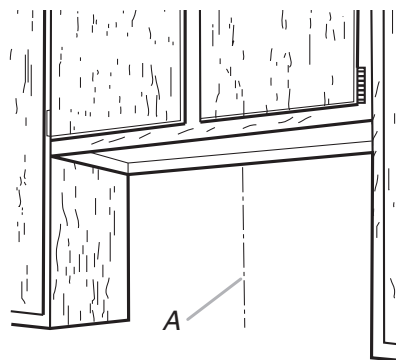
Si le fond de l'armoire forme une cavité, ajouter des tringles d'appui en bois de chaque côté. Installer les vis pour fixer les tringles d'appui aux emplacements indiqués.



Déterminer l'emplacement du trou de passage du câble

Percer seulement un trou de passage de 1 1/4 po (3,2 cm) de diamètre pour le câblage. Voir l'étape 2 pour des instructions sur l'emplacement du trou de passage du câble.

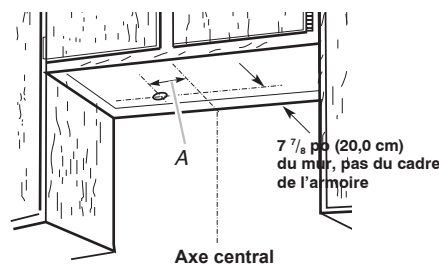
1. Déterminer et tracer clairement l'axe central vertical sur le mur et l'armoire dans la zone où le passage du conduit d'évacuation sera réalisé.



A. Axe central

2. Câblage à travers le sommet de l'armoire :

Tracer une ligne de distance « A » à gauche de l'axe central, sur la face inférieure de l'armoire. Sur cette ligne, marquer le point situé à 7 7/8 po (20,0 cm) du mur arrière. Percer en ce point un trou de 1 1/4 po (3 cm) de diamètre à travers l'armoire.



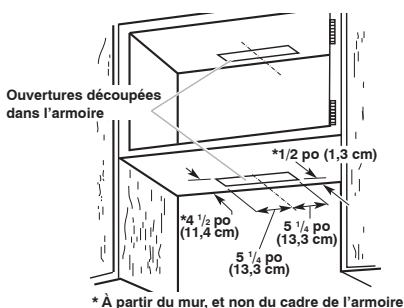
A. 12 3/16 po (31,0 cm)

Découpages d'ouverture pour un système d'évacuation rectangulaire de 3 1/4 po x 10 po (8,3 cm x 25,4 cm)

Évacuation par le toit

Découpage d'une ouverture rectangulaire de 4 po x 10 1/2 po (10,2 cm x 26,7 cm) sur la face inférieure et le sommet de l'armoire :

1. Tracer des lignes à 1/2 po (1,3 cm) et 4 1/2 po (11,4 cm) du mur arrière, sur l'axe central de la face inférieure de l'armoire.
2. Tracer des lignes à 5 1/4 po (13,3 cm) de part et d'autre de l'axe central sur la face inférieure de l'armoire.
3. Utiliser une scie sauteuse ou une scie à guichet pour découper l'ouverture rectangulaire pour le passage du conduit d'évacuation.
4. Répéter les étapes 1 à 3 pour la face inférieure du sommet de l'armoire.

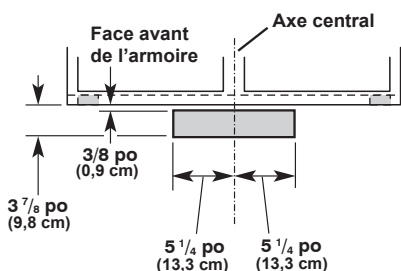


Décharge à travers le mur sous une armoire

Découpage d'une ouverture rectangulaire de 3 1/2 po x 10 1/2 po (8,9 cm x 26,7 cm) dans le mur :

1. Mesurer 2 lignes de 3/8 po (9,5 mm) et 3 7/8 po (9,8 cm) en descendant à partir de la face inférieure de l'armoire et marquer leur emplacement sur l'axe central du mur arrière.
2. Tracer des lignes à 5 1/4 po (13,3 cm) de part et d'autre de l'axe central sur le mur.

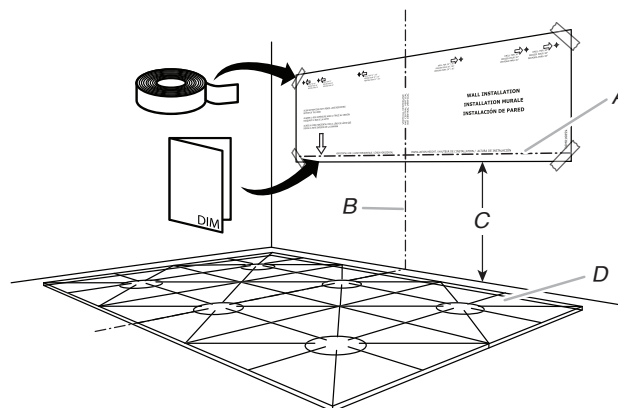
Utiliser une scie sauteuse ou une scie à guichet pour découper l'ouverture rectangulaire dans le mur pour le passage du conduit d'évacuation.



Installations murales :

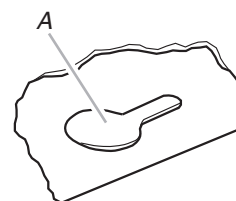
1. Déterminer et marquer la position de l'axe central sur le mur où la hotte sera installée. Suivre le même axe central et effectuer une marque au bas de l'armoire.
2. Sélectionner une hauteur de montage comprise entre un minimum de 24 po (61 cm) pour une surface de cuisson électrique et 30 po (76,2 cm) pour une surface de cuisson au gaz. La hauteur maximale suggérée est de 36 po (91,4 cm) entre le dessus de la surface de cuisson et le bas de la hotte. Marquer la ligne de repérage horizontale sur le mur.

3. Fixer les gabarits en place avec du ruban adhésif; aligner l'axe central du gabarit MURAL et le bas du gabarit avec la ligne correspondant au bas de la hotte, et avec l'axe central déjà tracé sur le mur.



- A. Ligne en pointillés horizontale
- B. Ligne de montage verticale
- C. Hauteur de montage
- D. Table de cuisson

4. À l'aide des gabarits, marquer sur le mur et l'armoire le centre des trous des organes de fixation. Retirer ensuite les gabarits.



A. Trou piriforme

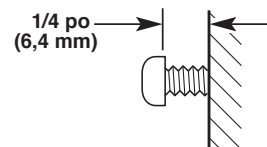
IMPORTANT : Toutes les vis doivent être vissées dans du bois. Si l'on ne peut pas visser la vis dans du bois, des tasseaux supplémentaires pour accrochage mural seront peut-être nécessaires.

5. Percer des avant-trous de 3/16 po (4,8 mm) à tous les emplacements où des vis à bois sont utilisées.



A. Perçage des avant-trous

6. Installer les 4 vis de montage de 5 x 45 mm. Laisser un espace de 1/4 po (6,4 mm) entre le mur et l'arrière de la tête de vis pour faire glisser la hotte et la mettre en place.



7. Déterminer et marquer toutes les lignes de découpage nécessaires sur le mur ou le plafond pour le passage du circuit d'évacuation. Installer le système d'évacuation avant la hotte. Voir la section « Exigences concernant l'évacuation ».

Achever la préparation

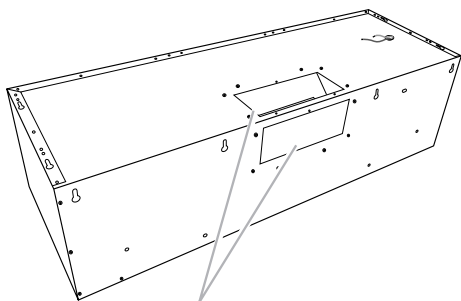
1. Déterminer la hauteur appropriée pour le cordon d'alimentation du domicile et percer un trou de 1 1/4 po (3,2 cm) à cet endroit.
2. Acheminer le câble d'alimentation du domicile selon les prescriptions du Code national de l'électricité, des normes CSA ou des codes et règlements locaux. Il faut que la longueur du conduit de 1/2 po (1,3 cm) et des conducteurs soit suffisante depuis le tableau de distribution (avec fusibles ou disjoncteurs) pour réaliser facilement le raccordement dans le boîtier de connexion de la hotte.

REMARQUE : Ne pas mettre le système sous tension avant d'avoir terminé l'installation.

3. Retirer le couvercle du boîtier de connexion et le mettre de côté.
4. Ôter l'opercule arrachable du sommet de la hotte et installer un serre-câbles de 1/2 po (1,3 cm) (homologation UL ou CSA).

Installation de la hotte

1. Selon votre installation, retirer l'opercule rectangulaire supérieur ou arrière du conduit d'évacuation.

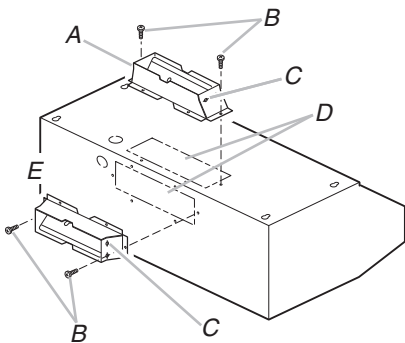


A. Opercules arrachables du conduit d'évacuation

2. Enlever le ruban adhésif du volet du clapet.

REMARQUE : On peut installer le clapet anti-reflux rectangulaire de 3 1/4 po x 10 po (8,3 cm x 25,4 cm) jusqu'à 1 po (2,5 cm) de chaque côté du centre de la hotte pour pouvoir installer les conduits décentrés.

3. Fixer le connecteur de conduit rectangulaire de 3 1/4 po x 10 po (8,3 cm x 25,4 cm) à la hotte d'évacuation à l'aide de vis de tôlerie.



A. Évacuation supérieure
B. Vis de tôlerie
C. Axe de charnière
D. Opercules arrachables du conduit d'évacuation
E. Évacuation à l'arrière

REMARQUE : Si la bouche de décharge murale est derrière le connecteur de conduit rectangulaire de 3 1/4 po x 10 po (8,3 cm x 25,4 cm), vérifier que le clapet anti-reflux et la bouche de décharge murale n'interfèrent pas entre eux. Retirer le clapet du connecteur de conduit rectangulaire de 3 1/4 po x 10 po (8,3 cm x 25,4 cm) s'ils interfèrent.

4. À l'aide d'au moins deux personnes, soulever la hotte et la placer à son emplacement final. Insérer suffisamment de câble électrique à travers le serre-câbles de 1/2 po (1,27 mm) (homologation UL ou CSA) pour établir les connexions avec la boîte de connexion. Serrer les vis du serre-câbles.
5. Positionner les trous allongés de la hotte par-dessus la tête des vis de montage. Puis pousser la hotte vers le mur (pour un montage sous une armoire) ou laisser glisser la hotte jusqu'à la hauteur de montage marquée (pour un montage sur le mur) pour que les vis soient dans la partie étroite des trous de fixation des vis. Serrer les vis de montage en s'assurant que les vis sont dans la partie étroite des trous de fixation des vis. (Pour un montage sur le mur, vérifier l'aplomb de la hotte).
6. Raccorder le circuit d'évacuation à la hotte. Assurer l'étanchéité des jointures avec des brides pour conduits.
7. Vérifier que les clapets antiretour fonctionnent correctement.

Raccordement électrique

⚠ AVERTISSEMENT



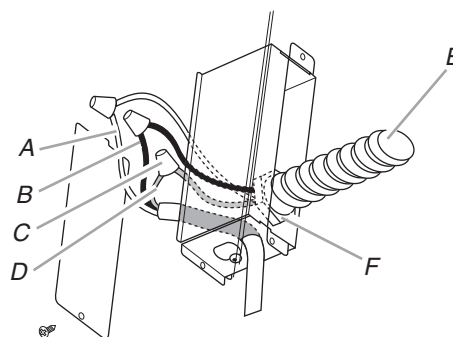
Risque de choc électrique

Déconnecter la source de courant électrique avant l'entretien.

Replacer pièces et panneaux avant de faire la remise en marche.

Le non-respect de ces instructions peut causer un décès ou un choc électrique.

1. Débrancher l'alimentation.



A. Conducteurs blancs
B. Conducteurs noirs
C. Capuchon de connexion homologué UL
D. Conducteurs verts (ou nus) ou jaunes-verts de liaison à la terre
E. Câble d'alimentation électrique du domicile
F. Serre-câbles de 1/2 po (1,3 cm) homologué UL ou CSA

2. Connecter ensemble les conducteurs blancs (A) à l'aide de connecteurs de fils homologués UL.

3. Connecter ensemble les conducteurs noirs (B) à l'aide de connecteurs de fils homologués UL.

⚠ AVERTISSEMENT



Risque de choc électrique

Relier le ventilateur à la terre.

Brancher le fil relié à la terre au fil vert et jaune relié à la terre dans la boîte de la borne.

Le non-respect de ces instructions peut causer un décès ou un choc électrique.

4. À l'aide des connecteurs de fils (homologation UL), connecter le conducteur de liaison à la terre (vert ou nu) du câble d'alimentation du domicile au fil de liaison à la terre vert jaune (C) dans le boîtier de connexion.
5. Installer le couvercle du boîtier de connexion.
6. Vérifier que toutes les ampoules d'éclairage sont bien fixées dans leur douille.
7. Rebrancher l'alimentation.

Installation des cache-conduits (facultatif)

Si l'on installe un cache-conduit facultatif pleine largeur, suivre les instructions fournies avec ce produit.

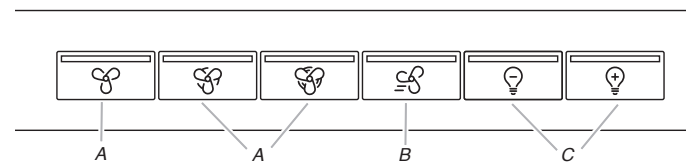
Terminer l'installation

1. Installer les filtres à graisse métalliques. Voir la section « Entretien de la hotte ».
2. Contrôler le fonctionnement du ventilateur de la hotte et de la lampe. Voir la section « Utilisation de la hotte ».

REMARQUE : Pour pouvoir tirer le plus grand parti de la nouvelle hotte de cuisinière, lire la section « Utilisation de la hotte ».

UTILISATION DE LA HOTTE

La hotte de cuisinière est conçue pour extraire fumée, vapeurs de cuisson et odeurs de la zone de la table de cuisson. Pour des résultats optimaux, mettre la hotte en marche avant d'entreprendre une cuisson, et la laisser fonctionner pendant plusieurs minutes après une cuisson afin d'évacuer toute odeur de cuisson et fumée de la cuisine.



- A. Commande de vitesse du ventilateur
- B. Niveau Boost (élevé) du ventilateur
- C. Commande d'intensité de l'éclairage

2. Pour sélectionner une moins grande intensité, appuyer sur le bouton de commande de l'éclairage de gauche jusqu'à atteindre le réglage souhaité. Pour l'augmenter, appuyer sur le bouton de droite.

Fonctionnement du ventilateur

1. Appuyer sur les boutons de commande de la vitesse (A) pour le mettre en marche et gérer les réglages du ventilateur.
2. Pour augmenter la vitesse du ventilateur pendant 5 minutes, appuyez sur le bouton Boost (niveau élevé) (B) du ventilateur. Après les 5 minutes, le ventilateur revient à la vitesse sélectionnée précédemment.

Mise en marche automatique du ventilateur

La hotte est munie d'un capteur qui met le ventilateur automatiquement en marche lorsqu'un niveau de chaleur excessif est détecté. Au besoin le capteur mettra en marche le réglage Boost (niveau élevé), et lorsque la chaleur aura diminué, le ventilateur s'éteindra automatiquement.

Dispositif de protection thermique

Si la hotte s'éteint en cours d'utilisation, appuyer sur le bouton OFF (arrêt) pour éteindre la hotte. Attendre environ 60 minutes puis appuyer sur le bouton ON (marche) pour remettre la hotte en marche.

La hotte est équipée d'un dispositif de protection thermique permettant d'éviter les conditions de surchauffe.

Commandes de la hotte

Fonctionnement de l'éclairage

1. Appuyer sur le bouton de commande d'éclairage (C) pour le mettre en marche et gérer les réglages d'éclairage.

ENTRETIEN DE LA HOTTE

Nettoyage

IMPORTANT : Nettoyer fréquemment la hotte et les filtres à graisse en suivant les instructions suivantes. Réinstaller les filtres à graisse avant de faire fonctionner la hotte.

Surfaces externes :

Afin d'éviter d'endommager la surface externe, ne pas utiliser de tampons en laine d'acier ou de tampons à récuser savonneux. Toujours essuyer pour éviter de laisser des marques d'eau.

Méthode de nettoyage :

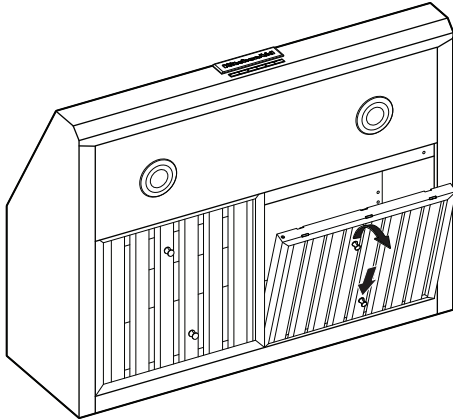
- Savon détergent liquide et eau, ou nettoyant tout usage.

- Frotter avec un chiffon doux humide ou une éponge non abrasive, puis rincer avec de l'eau propre et essuyer.

Filtre à graisse métallique

Dépose des filtres à graisse métalliques ;

1. Employer les deux mains pour retirer les filtres. Saisir les poignées du filtre, tirer vers l'arrière de la hotte et tirer sur la poignée avant pour retirer le filtre.



2. Répéter pour chaque filtre à graisse.
3. Les filtres à graisse devraient être nettoyés en utilisant de l'eau chaude, du détergent pour lave-vaisselle et une brosse non abrasive. Le lavage au lave-vaisselle n'est pas recommandé.

Réinstallation des filtres à graisse métalliques :

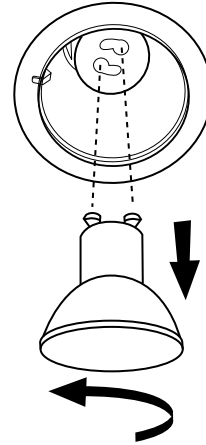
1. Saisir les poignées du filtre et insérer l'arrière du filtre dans la rainure arrière.
2. Tirer sur la poignée arrière et insérer le devant du filtre à graisse dans la rainure avant et bien fixer.
3. Répéter pour chaque filtre.

Remplacer une lampe DEL

Interrompre l'alimentation de la hotte; attendre le refroidissement de l'ampoule à DEL. Pour éviter d'endommager ou de réduire la longévité de l'ampoule neuve, ne pas toucher l'ampoule avec les doigts nus. Remplacer la lampe en la manipulant avec un mouchoir de papier ou des gants de coton.

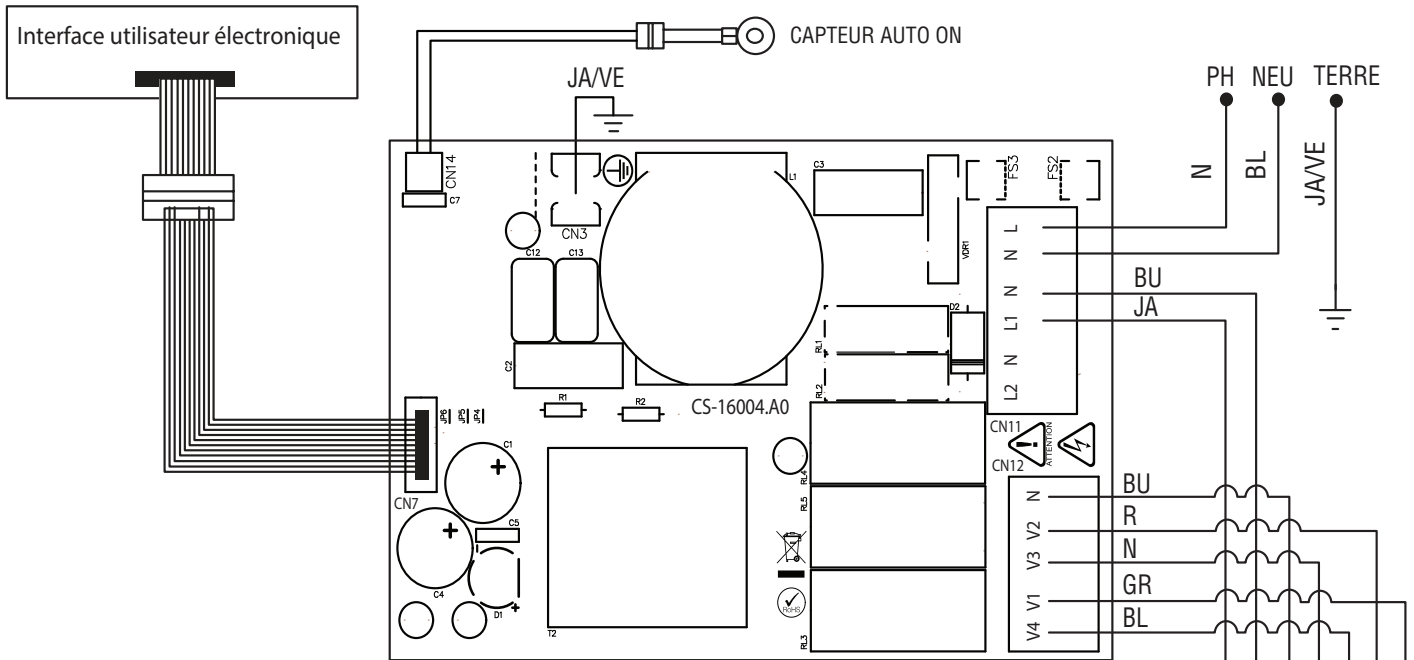
Si les nouvelles lampes ne fonctionnent pas, vérifier que chaque lampe est correctement insérée dans sa douille avant de demander l'intervention d'un réparateur.

1. Débrancher l'alimentation.
2. Pousser la plaque de verre vers le haut et la tourner dans le sens antihoraire.

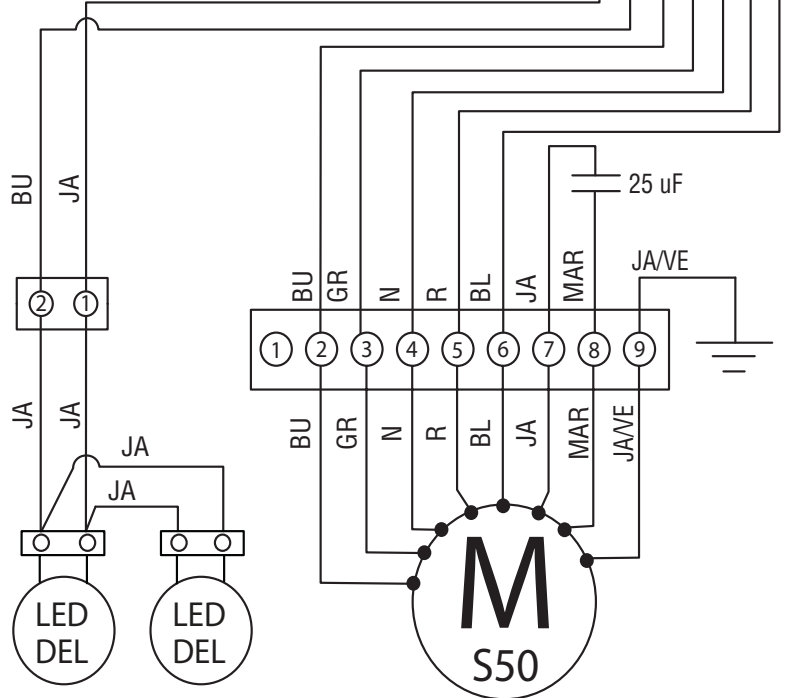


3. Retirer la lampe et la remplacer par une ampoule à DEL de 120 V, 6,5 W maximum, avec culot GU10. La tourner dans le sens horaire pour l'emboîter.
4. Répéter les étapes 2 et 3 pour l'autre ampoule, si nécessaire.
5. Rebrancher l'alimentation.

SCHÉMA DE CÂBLAGE



CARACTERISTIQUES DU MOTEUR	
Alimentation	120 VCA
Frequence	60 Hz
Puissance Nominale	420 W
Courant	3.7 A
RÉSISTANCE DU MOTEUR (Ω)	
Bleu - Noir	9,8
Bleu - Gris	14,3
Bleu - Rouge	18
Bleu - Blanc	21,6
Temp. Ambiante	23 °C 74 °F



ASSISTANCE OU DÉPANNAGE

Avant d'appeler pour de l'assistance ou du dépannage, avoir à portée de la main la date d'achat et les numéros de modèle et de série complets de l'appareil. Ces renseignements nous aideront à mieux répondre à votre demande.

Si vous avez besoin de pièces de rechange

Pour commander des pièces de rechange, nous vous recommandons d'utiliser seulement des pièces spécifiées par l'usine. Les pièces spécifiées par l'usine fonctionneront bien, car elles sont fabriquées selon la même précision que celle utilisée pour fabriquer chaque nouvel appareil. Pour savoir où trouver des pièces de rechange spécifiées par l'usine dans votre région, appelez-nous ou communiquez avec le centre de service désigné le plus proche.

Aux É.-U.

Si vous avez des problèmes ou des questions, appelez KitchenAid au **1 800 422-1230**.

Nos conseillers peuvent vous aider sur les points suivants :

- Caractéristiques et spécifications de notre gamme complète d'appareils ménagers.
- Renseignements sur l'installation.
- Procédures d'utilisation et d'entretien.
- Vente d'accessoires et de pièces de rechange.
- Assistance spécialisée au client (langue espagnole, malentendants, malvoyants, etc.).
- Les références aux concessionnaires, compagnies de service de réparation et distributeurs de pièces de rechange locaux. Les techniciens de service désignés par KitchenAid sont formés pour remplir la garantie des produits et fournir un service après garantie partout aux États-Unis.

Pour localiser la compagnie de service désignée par KitchenAid dans votre région, vous pouvez également consulter les Pages jaunes.

Pour plus d'assistance :

Si vous avez besoin de plus d'assistance, vous pouvez écrire à KitchenAid en soumettant toute question ou problème à :

KitchenAid Brand Home Appliances
Customer eXperience Center
553 Benson Road
Benton Harbor, MI 49022-2692

Veillez indiquer dans votre correspondance un numéro de téléphone où l'on peut vous joindre dans la journée.

Au Canada

Téléphonez sans frais au Centre d'expérience de la clientèle de KitchenAid Canada au : **1 800 807-6777**.

Nos conseillers peuvent vous aider sur les points suivants :

- Caractéristiques et spécifications de notre gamme complète d'appareils ménagers.
- Procédures d'utilisation et d'entretien.
- Vente d'accessoires et de pièces de rechange.
- Les références aux concessionnaires, compagnies de service de réparation et distributeurs de pièces de rechange locaux. Les techniciens de service désignés par KitchenAid Canada sont formés pour remplir la garantie des produits et fournir un service après la garantie partout au Canada.

Pour plus d'assistance :

Si vous avez besoin de plus d'assistance, vous pouvez écrire à KitchenAid Canada en soumettant toute question ou tout problème à :

KitchenAid Brand Home Appliances
Customer eXperience Centre
200 – 6750 Century Ave.
Mississauga (Ontario) L5N 0B7

Veillez indiquer dans votre correspondance un numéro de téléphone où l'on peut vous joindre dans la journée.

SEGURIDAD DE LA CAMPANA DE ESTUFA

Su seguridad y la seguridad de los demás es muy importante.

Hemos incluido muchos mensajes importantes de seguridad en este manual y en su electrodoméstico. Lea y obedezca siempre todos los mensajes de seguridad.



Este es el símbolo de alerta de seguridad.

Este símbolo le llama la atención sobre peligros potenciales que pueden ocasionar la muerte o una lesión a usted y a los demás.

Todos los mensajes de seguridad irán a continuación del símbolo de advertencia de seguridad y de la palabra "PELIGRO" o "ADVERTENCIA". Estas palabras significan:

 **PELIGRO**

Si no sigue las instrucciones de inmediato, usted puede morir o sufrir una lesión grave.

 **ADVERTENCIA**

Si no sigue las instrucciones, usted puede morir o sufrir una lesión grave.

Todos los mensajes de seguridad le dirán el peligro potencial, le dirán cómo reducir las posibilidades de sufrir una lesión y lo que puede suceder si no se siguen las instrucciones.

INSTRUCCIONES IMPORTANTES DE SEGURIDAD

ADVERTENCIA: PARA REDUCIR EL RIESGO DE INCENDIOS, CHOQUE ELÉCTRICO O LESIONES PERSONALES, OBSERVE LO SIGUIENTE:

- Use esta unidad sólo para lo que fue diseñada por el fabricante. Si tiene preguntas, póngase en contacto con el fabricante.
- Antes de reparar o limpiar esta unidad, apague el suministro de energía en el panel de servicio, y bloquee los medios de desconexión del servicio para evitar que se encienda accidentalmente el suministro de energía. Cuando el medio de desconexión del servicio no se pueda bloquear, sujete de manera segura un dispositivo de advertencia prominente, como una etiqueta, al panel de servicio.
- El trabajo de instalación y cableado se debe llevar a cabo por una o más personas calificadas, en conformidad con todos los códigos y estándares aplicables, incluyendo construcciones clasificadas como resistentes al fuego.
- No opere ningún ventilador que tenga un cable o enchufe dañado. Deshágase del ventilador o devuélvalo a un lugar de servicio autorizado para que sea examinado y/o reparado.
- Es necesario que haya suficiente aire para la adecuada combustión y ventilación de gases a través del conducto (la chimenea) del equipo que consume combustible, para evitar que ocurra un contratiro. Siga la guía y los estándares de seguridad del fabricante del equipo de calefacción, como son aquéllos publicados por National Fire Protection Association (NFPA) (Asociación nacional de protección contra incendios) y American Society for Heating, Refrigeration and Air Conditioning Engineers (ASHRAE) (Sociedad estadounidense para ingenieros en calefacción, refrigeración y acondicionamiento de aire) y las autoridades de códigos locales.
- Cuando corte o taladre en una pared o techo; no dañe el cableado eléctrico ni otros servicios públicos ocultos.
- Los ventiladores con conductos siempre deben dar salida al aire hacia el exterior.

CUIDADO: Para usarse solamente en ventilación general. No lo utilice para ventilar materiales y vapores peligrosos o explosivos.

CUIDADO: Para reducir el riesgo de incendio y para ventilar el aire adecuadamente, asegúrese de dirigir el aire hacia el exterior - No ventile el aire de salida a espacios dentro de paredes o techos, desvanes, espacios angostos o garajes.

PRECAUCIÓN: Las partes accesibles pueden calentarse cuando se utilizan los aparatos de cocción.

ADVERTENCIA: PARA REDUCIR EL RIESGO DE INCENDIO, SÓLO USE CONDUCTOS METÁLICOS.

ADVERTENCIA: LOS NIÑOS DEBEN SUPERVISARSE PARA ASEGURAR QUE ELLOS NO EMPLEEN LOS APARATOS COMO JUGUETE.

ADVERTENCIA: PARA REDUCIR EL RIESGO DE INCENDIO PROVOCADO POR GRASA EN LA SUPERFICIE DE LA COCINA:

- Nunca deje las unidades sobre la superficie sin vigilancia cuando estén a altas temperaturas. Los derrames por hervor causan salpicaduras grasosas y humeantes, las cuales pueden inflamarse. Caliente los aceites lentamente y a temperatura baja o media.
- La mala colocación de los tornillos o artefactos de montaje o sujeción de acuerdo a estas instrucciones puede traer consigo peligros eléctricos.
- Limpie los ventiladores con frecuencia. No permita que se acumule la grasa en el ventilador o en el filtro.
- Use un tamaño adecuado de sartén. Siempre use utensilios de cocción que sean los adecuados para el tamaño del elemento de la superficie.

ADVERTENCIA: PARA REDUCIR EL RIESGO DE LESIONES PERSONALES SI SE PRENDE FUEGO EN LA COCINA OCASIONADO POR GRASA, OBSERVE LO SIGUIENTE^a:

- REDUZCA LAS LLAMAS con una tapa que encaje muy bien, una bandeja para galletas o una bandeja metálica, y luego apague el quemador. TENGA CUIDADO PARA EVITAR QUEMADURAS. Si las llamas no se extinguen de inmediato, EVACUE Y LLAME AL DEPARTAMENTO DE BOMBEROS.
- NUNCA AGARRE UNA SARTÉN QUE ESTÉ EN LLAMAS - podría quemarse.
- NO UTILICE AGUA, incluidos paños para vajilla o toallas mojadas - podría ocurrir una explosión de vapor violenta.
- SÓLO use un extinguidor si:
 - Sabe a ciencia cierta que tiene un extinguidor clase ABC y ya sabe cómo utilizarlo.
 - El incendio es pequeño y se encuentra contenido en el lugar en donde se inició.
 - Ha llamado al departamento de bomberos.
 - Puede combatir el fuego siempre con su espalda hacia la salida.

^aBasado en "Consejos de seguridad para incendios en la cocina", publicado por NFPA (Asociación nacional de protección contra incendios).

- **ADVERTENCIA:** A fin de reducir el riesgo de incendio o de choque eléctrico, no use este ventilador con ningún dispositivo semiconductor para el control de la velocidad.
- Este aparato no se destina para utilizarse por personas (incluyendo niños) cuyas capacidades físicas, sensoriales o mentales sean diferentes o estén reducidas, o carezcan de experiencia o conocimiento a menos que dichas personas reciban una supervisión o capacitación para el funcionamiento del aparato por una persona responsable de su seguridad.
- No flamear alimentos bajo la campana de cocina.

LEA Y GUARDE ESTAS INSTRUCCIONES

REQUISITOS DE INSTALACIÓN

Herramientas y piezas

Reúna las herramientas y las piezas necesarias antes de comenzar la instalación. Lea y siga las instrucciones provistas con cualquiera de las herramientas detalladas aquí.

NOTA: Se recomienda el uso de esta campana de estufa con superficies de cocción con una clasificación máxima total de 75 000 BTU o menos para campanas de estufa de 30" (76,2 cm) y 90 000 BTU o menos para campanas de estufa de 36" (91,4 cm).

Herramientas necesarias

- Nivel
- Taladro con brocas de barrena de 1¹/₄" (3,0 cm), 3/16" (4,8 mm), 1/8" (3,0 mm) y 5/16" (7,9 mm)
- Lápiz
- Pelacables o cuchillo de uso general
- Cinta de medir o regla
- Pinzas
- Pistola para calafateo y compuesto para calafateo impermeable
- Abrazaderas para ducto de ventilación
- Sierra de vaivén o sierra caladora
- Destornillador de cabeza plana
- Tijeras de hojalatero
- Destornillador Phillips
- Juego de llaves hexagonales métricas

Piezas necesarias

- Cable de suministro eléctrico doméstico
- Protector de cables homologado por UL o aprobado por CSA de 1/2" (1,3 cm)
- 3 conectores para cables que estén en la lista de UL
- 1 cubierta para pared o techo
- Sistema de ventilación metálico
- Cubierta de chimenea (opcional)
- Cinta adhesiva protectora

Piezas suministradas

Saque las piezas de los paquetes. Verifique que estén todas las piezas.

- Ensamblaje de la campana de estufa con ventilador y focos instalados
- Conector de ventilación rectangular de 3¹/₄" x 10" (8,3 cm x 25,4 cm)
- 2 filtros de grasa de metal para el modelo de 30" (76,2 cm)
- 3 filtros de grasa de metal para el modelo de 36" (91,4 cm)
- Adaptador de T20® TORX®†
- 4 tornillos de montaje de 5 x 45 mm
- 6 tornillos de 4,5 x 13 mm
- 3 tornillos de 4 x 8 mm
- 4 taquetes para pared de 10 x 50
- Plantilla de instalación de PARED para modelos de 30" y 36"
- Plantilla de instalación de GABINETE para modelos de 30" y 36"

†®TORX y T20® son marcas registradas comerciales de Acument Intellectual Properties, LLC.

Requisitos de ubicación

IMPORTANTE: Respete todos los códigos y las ordenanzas vigentes. Haga que un técnico calificado instale la campana de estufa. Es responsabilidad del instalador cumplir con los espacios de instalación especificados en la placa que indica modelo/serie/valores nominales. La placa con clasificación de modelo/serie está ubicada detrás del filtro izquierdo, en la pared posterior de la campana de ventilación.

La ubicación de la campana de estufa deberá estar lejos de zonas con corrientes fuertes de aire, tales como ventanas, puertas u orificios de calefacción fuertes.

Deben usarse las dimensiones de la abertura del gabinete que se muestran. Las dimensiones proporcionadas proveen los espacios mínimos.

Se requiere un tomacorriente eléctrico con conexión a tierra. Consulte la sección "Requisitos eléctricos".

La campana de estufa se ha ajustado de fábrica para tener una ventilación a través del techo o de la pared.

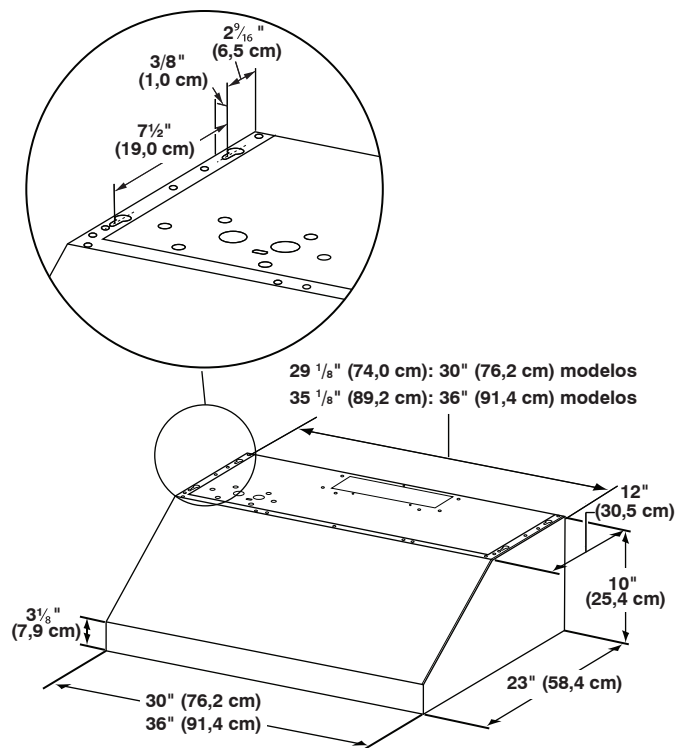
Se deben sellar todas las aberturas en el techo y la pared en donde se va a instalar la campana de estufa.

Para la instalación en casas rodantes

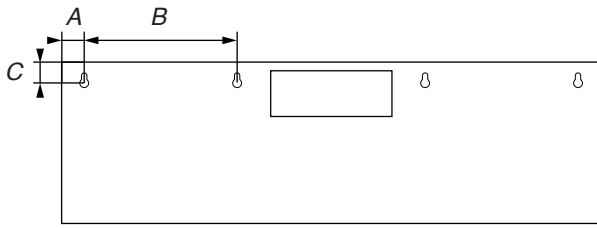
La instalación de esta campana de estufa debe ajustarse al Estándar de seguridad y construcción de casas fabricadas, Título 24 CFR, Parte 328 (anteriormente conocido como Federal Standard for Mobile Home Construction and Safety [Estándar federal para la seguridad y construcción de casas rodantes], Título 24, HUD Parte 280), o cuando dicho estándar no sea aplicable, el estándar Manufactured Home Installation (Instalación en casas fabricadas) de 1982 (Manufactured Home Sites, Communities and Setups [Obras, comunidades e instalaciones de casas fabricadas]), ANSI A225.1/NFPA 501A*, o la última edición o con los códigos locales.

Dimensiones del producto

Vista frontal

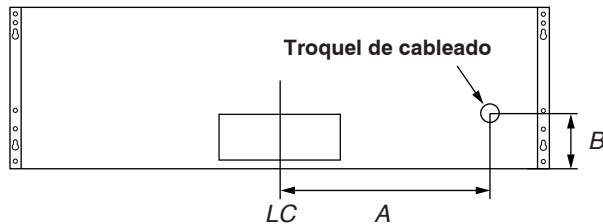


Vista posterior



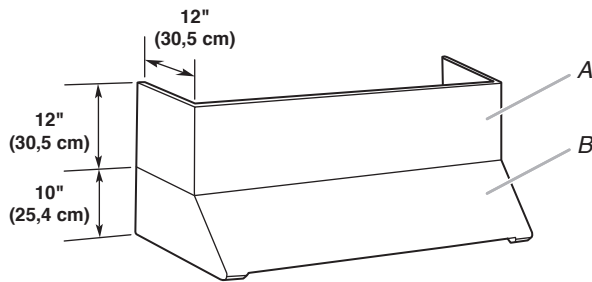
Vista posterior	30" (76,2 cm)	36" (91,4 cm)
A	1 1/8" (2,9 cm)	1 1/8" (2,9 cm)
B	7" (17,8 cm)	9 7/8" (25 cm)
C	5/8" (1,6 cm)	5/8" (1,6 cm)

Vista superior



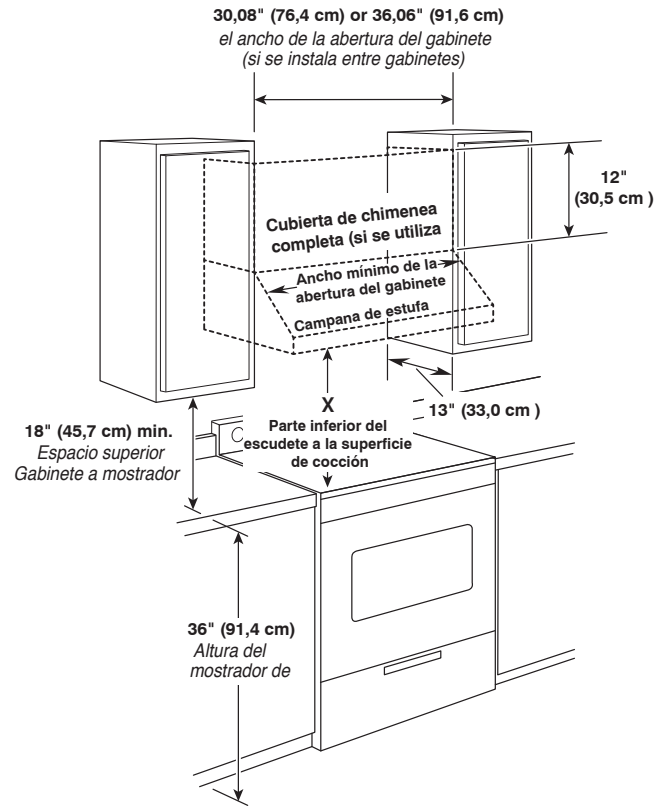
Vista superior	30" (76,2 cm)	36" (91,4 cm)
A	12 3/16" (31 cm)	15,2" (38,6 cm)
B	7 7/8" (20 cm)	7 7/8" (20 cm)

Instalaciones con cubierta de chimenea de ancho completo opcional



- A. Cubierta de chimenea de ancho completo opcional
B. Campana de estufa

Dimensiones del gabinete



IMPORTANTE: Distancia mínima "X": 24" (61,0 cm) a la superficie de cocción eléctrica, 30" (76,2 cm) a la superficie de cocción a gas
Distancia máxima sugerida "X": 36" (91,4 cm).

Requisitos de ventilación

- El sistema de ventilación debe terminar en el exterior.
- No dirija la salida del sistema de ventilación hacia el desván u otra área cerrada.
- No utilice una cubierta de pared de tipo para lavandería de 4" (10,2 cm).
- Utilice ducto de ventilación de metal únicamente. Se recomienda un ducto de ventilación de metal rígido.
- La longitud del sistema de ventilación y el número de codos se deben mantener al mínimo para proveer un funcionamiento eficaz.

Para obtener el funcionamiento más eficaz y silencioso:

- No use más de 3 codos de 90°.
- Asegúrese de que haya un mínimo de 24" (61,0 cm) de ducto de ventilación recto entre los codos si se usa más de un codo.
- No instale dos codos lado a lado.
- Use abrazaderas para sellar todas las juntas en el sistema de ventilación.
- El sistema de ventilación debe tener una compuerta. Si la cubierta del techo o la pared tiene una compuerta, no use la compuerta provista con la campana de estufa.
- Utilice masilla de calafateo para sellar la abertura exterior de la pared o el techo alrededor de la cubierta.
- El tamaño del ducto de ventilación debe ser uniforme.

Instalaciones en climas fríos

Como parte del sistema de ventilación, se deberá instalar una compuerta posterior adicional para minimizar el flujo de aire frío hacia atrás y un dispositivo de interrupción térmico para reducir la conducción de las temperaturas exteriores. La compuerta deberá estar en el lado del aire frío del puente térmico.

El dispositivo de interrupción deberá estar lo más cerca posible del lugar donde el sistema de ventilación entra a la parte con calefacción de la casa.

Aire de reposición

Los códigos locales de construcción podrían requerir el uso de sistemas de aire de reposición cuando se usen sistemas de ventilación con un movimiento de aire que supere los CFM (pies cúbicos por minuto) especificados. Los pies cúbicos por minuto especificados varían de una localidad a otra. Consulte a su profesional de calefacción, ventilación y acondicionamiento de aire (HVAC) para conocer los requisitos particulares en su zona.

Métodos de ventilación

Esta campana de estufa se ha ajustado de fábrica para tener una ventilación a través del techo o de la pared.

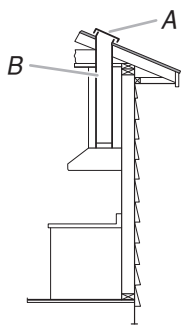
Se requiere un sistema de ventilación rectangular de 3 1/4" x 10" (8,3 x 25,4 cm) para la instalación (no incluido). La apertura del ducto de escape de la campana es de 3 1/4" x 10" (8,3 x 25,4 cm). El sistema de ventilación puede terminar a través del techo o la pared. Para ventilar la parte superior de la campana de estufa y a través de una pared, necesita un codo de 90°. Consulte la sección "Instalación de la campana de estufa" para ver los detalles de instalación de la compuerta.

NOTA: No se recomienda el uso de ductos de ventilación flexibles. Los ductos de ventilación flexibles crean contrapresión y turbulencia de aire, lo cual reduce el desempeño en gran medida.

Descarga posterior

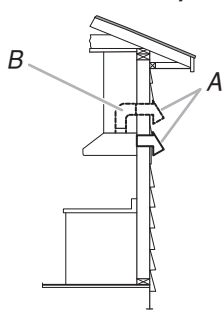
Esta campana de estufa puede ventilarse directamente por la parte trasera usando la compuerta rectangular de 3 1/4" x 10" (8,3 cm x 25,4 cm) (suministrada) con un sistema de ventilación rectangular de 3 1/4" x 10" (8,3 cm x 25,4 cm) (no suministrado). Consulte la sección "Instalación de la campana de estufa" para ver los detalles de instalación de la compuerta.

Ventilación a través del techo



A. Cubierta para el techo
B. Ventilación de metal rectangular de 3 1/4" x 10" (8,3 cm x 25,4 cm)

Ventilación de pared (escape superior o inferior)



A. Cubierta de la pared
B. Ventilación de metal rectangular de 3 1/4" x 10" (8,3 cm x 25,4 cm)

Cómo calcular la longitud del sistema de ventilación

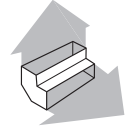
Para calcular el largo del sistema que necesita, sume los pies (metros) equivalentes para cada porción de ducto de ventilación que se utilice en el sistema.

Sistema de ventilación de 3 1/4" x 10" (8,3 x 25,4 cm)

Porción de ducto de ventilación

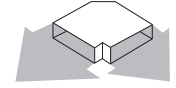
Codo de 3 1/4" x 10" (8,3 cm x 25,4 cm) de 90°

5,0 pies (1,5 m)



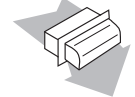
Codo plano de 3 1/4" x 10" (8,3 x 25,4 cm)

12,0 pies (3,7 m)

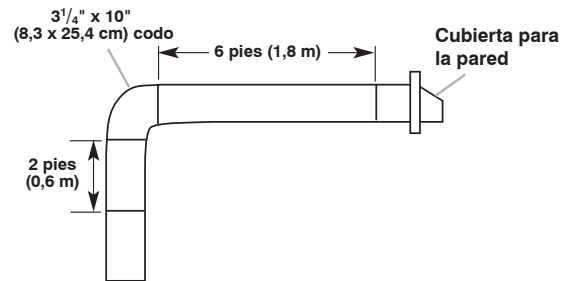


Tapa para pared de 3 1/4" x 10" (8,3 x 25,4 cm)

0,0 pies (0,0 m)



Ejemplo de sistema de ventilación



Longitud máxima recomendada = 35 pies (10,7 m)

1 codo de 90°	= 5,0 pies (1,5 m)
Porción recta de 8 pies (2,4 m)	= 8,0 pies (2,4 m)
1 cubierta de pared	= 0,0 pies (0,0 m)
Sistema de 3 1/4" x 10" (8,3 cm x 25,4 cm) de longitud	= 13,0 pies (3,9 m)

Requisitos eléctricos

Respete todos los códigos y las ordenanzas vigentes.

Asegúrese de que la instalación eléctrica sea adecuada y en conformidad con el National Electrical Code (Código Nacional Eléctrico), ANSI/NFPA 70 (última edición) o las normas de CSA C22.1-94, Canadian Electrical Code (Código canadiense de electricidad), Parte 1 y C22.2 N° 0-M91 (última edición), y todos los códigos y ordenanzas locales.

Si los códigos lo permiten y se emplea un cable de conexión a tierra separado, se recomienda que un electricista calificado determine si la trayectoria de descarga a tierra es adecuada.

Puede obtener una copia de las normas de los códigos antes indicados en:

National Fire Protection Association
1 Batterymarch Park
Quincy, MA 02169-7471
CSA International
8501 East Pleasant Valley Road
Cleveland, OH 44131-5575

- Se necesita un circuito eléctrico de 120 V ~, 463 W, 60 Hz, CA solamente, protegido con fusible de 3,8 A.

- Si la casa tiene cableado de aluminio, siga el procedimiento a continuación:
Conecte el cableado de aluminio usando conectores especiales y/o herramientas diseñadas y de la lista de UL para unir el cobre al aluminio.
Siga el procedimiento recomendado por el fabricante del conector eléctrico. La conexión de cobre/aluminio deberá hacerse en conformidad con los códigos locales y las prácticas de cableado aceptadas por la industria.

- Los tamaños de los cables y las conexiones deben hacerse de acuerdo con la clasificación del electrodoméstico, como se especifica en la placa con el modelo/serie/valores nominales. La placa del modelo/la serie está ubicada detrás del filtro, en la pared posterior de la campana.
- Los tamaños de los cables deben hacerse de acuerdo a los requisitos del National Electrical Code (Código Nacional Eléctrico), ANSI/NFPA 70 (última edición) o las normas de CSA C22. 1-94 Canadian Electrical Code (Código Canadiense de Electricidad), Parte 1 y C22.2 N° 0-M91 (última edición), y todos los códigos y ordenanzas locales.

INSTRUCCIONES DE INSTALACIÓN

Preparación de la ubicación

- Se recomienda que el sistema de ventilación sea instalado antes de que se instale la campana.
 - Si va a instalar una tapa de ducto completa, siga las instrucciones incluidas con ese producto.
 - Antes de hacer los recortes, asegúrese que haya suficiente espacio libre dentro del techo o la pared para el ducto de escape.
 - Revise la altura de su techo y la altura máxima de la campana antes de seleccionarla.
1. Desconecte el suministro eléctrico.
 2. Decida qué método de ventilación usará: en el techo o en la pared.
 3. Seleccione una superficie plana para ensamblar la campana de estufa. Cubra dicha superficie.

⚠ ADVERTENCIA

Peligro de Peso Excesivo

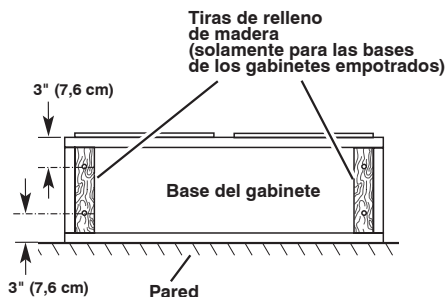
Use dos o más personas para mover e instalar la campana de cocina.

No seguir esta instrucción puede ocasionar una lesión en la espalda u otro tipo de lesiones.

4. Con la ayuda de dos o más personas, levante la campana de estufa y colóquela en la superficie cubierta.
NOTA: Esta campana de estufa puede montarse en gabinetes o en la pared.

Instalación con gabinete

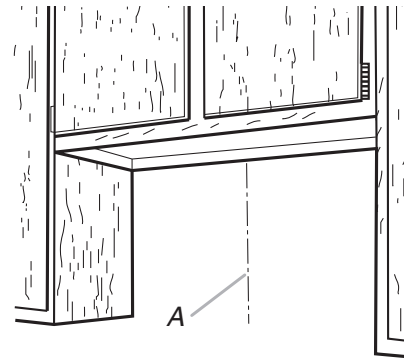
Si el gabinete tiene una base empotrada, agregue tiras de relleno de madera a cada lado. Instale tornillos para sujetar las tiras de relleno en los lugares mostrados.



Determine la ubicación del orificio para el cableado

Corte solamente un orificio de acceso para el cableado de 1 1/4" (3,2 cm) diámetro. Consulte el Paso 2 para ver las instrucciones acerca de la ubicación del orificio para el cableado.

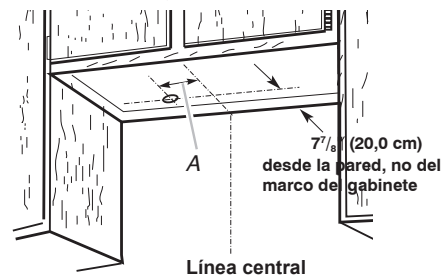
1. Determine y marque claramente una línea central vertical sobre la pared y el gabinete en el área donde se hará la abertura de ventilación.



A. Línea central

2. Para hacer el cableado desde la parte superior:

Trace una línea de la distancia "A" desde la parte izquierda de la línea central sobre la parte de abajo del gabinete. Marque el punto sobre esta línea que esté a 7 7/8" (20,0 cm) desde la pared posterior. Taladre un orificio de 1 1/4" (3,2 cm) diámetro a través del gabinete en este punto.



A. 12 3/16" (31,0 cm)

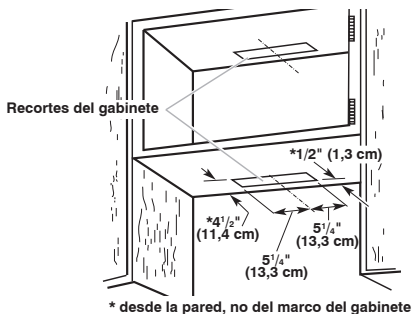
Aberturas de corte para un sistema de ventilación rectangular de 3 1/4" x 10" (8,3 cm x 25,4 cm)

Ventilación a través del techo

Para hacer un corte rectangular de 4" x 10 1/2" (10,2 cm x 26,7 cm) en la parte de abajo de la parte superior e inferior del gabinete:

1. Marque líneas de 1/2" (1,3 cm) y 4 1/2" (11,4 cm) desde la pared posterior sobre la línea central del lado de abajo del gabinete.

2. Marque líneas de $5\frac{1}{4}$ " (13,3 cm) a la derecha e izquierda de la línea central en la parte de abajo del gabinete.
3. Use una sierra de vaivén o caladora para cortar una abertura rectangular para la ventilación.
4. Repita los pasos 1 a 3 para el lado de abajo de la parte superior del gabinete.

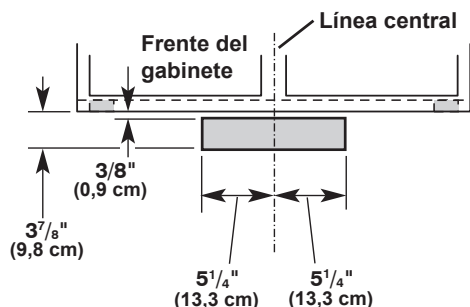


Ventilación en pared bajo un gabinete

Para hacer un rectángulo de $3\frac{1}{2}$ " x $10\frac{1}{2}$ " (8,9 cm x 26,7 cm) en la pared:

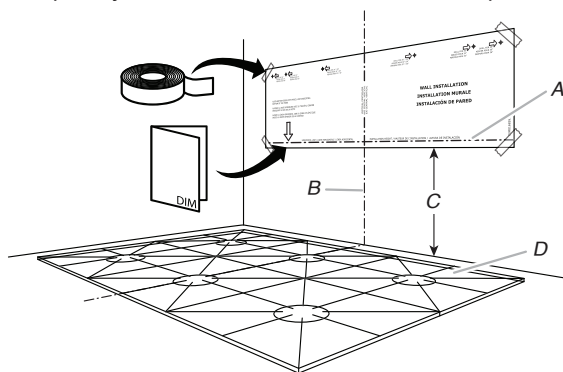
1. Trace dos líneas midiendo $\frac{3}{8}$ " (9,5 mm) y $3\frac{7}{8}$ " (9,8 cm) hacia abajo desde el lado de abajo del gabinete y marque sobre la línea central en la pared posterior.
2. Marque líneas de $5\frac{1}{4}$ " (13,3 cm) a la derecha e izquierda de la línea central sobre la pared.

Use una sierra de vaivén o caladora para cortar una abertura rectangular en la pared para la ventilación.



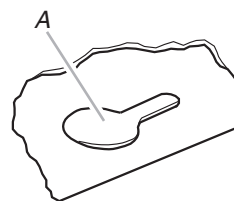
Para las instalaciones de pared:

1. Determine y marque la línea central en la pared, en donde se instalará la campana de estufa. Siga la misma línea central y marque en la parte inferior del gabinete.
2. Seleccione una altura de montaje entre un mínimo de 24" (61,0 cm) para las superficies de cocción eléctricas y 30" (76,2 cm) para las superficies de cocción a gas. La altura máxima sugerida es de 36" (91,4 cm) sobre la estufa bajo la campana. Marque una línea de referencia horizontal en la pared.
3. Pegue la plantilla con cinta adhesiva en su lugar, alineando la línea central y la parte inferior de esta con la línea inferior de la campana y con la línea central marcada en la pared.



- A. Línea horizontal de referencia
- B. Línea central vertical
- C. Altura de montaje
- D. Superficie de cocción

4. Marque los centros de las ubicaciones de los ajustadores a través de la plantilla en la pared y al gabinete. Quite lentamente las plantillas.



A. Ranura de bocallave

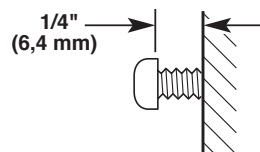
IMPORTANTE: Todos los tornillos se deben instalar en madera. Si no hay madera en la cual instalarlos, se necesitarán soportes adicionales para el marco de pared.

5. Taladre orificios piloto de $\frac{3}{16}$ " (4,8 mm) en todas las ubicaciones donde se vayan a instalar los tornillos en madera.



A. Taladre un orificio piloto

6. Instale los 4 tornillos de montaje de 5 x 45 mm. Deje un espacio de $\frac{1}{4}$ " (6,4 mm) entre la pared y la parte posterior de la cabeza del tornillo para deslizar la campana de estufa en su lugar.



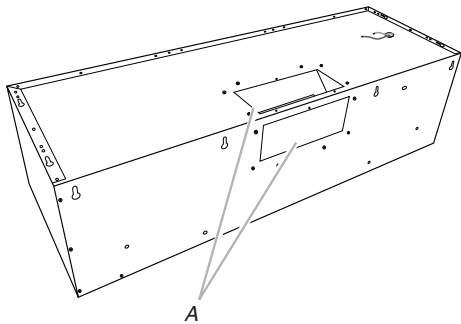
7. Determine y haga todos los cortes necesarios en la pared o el cielorraso para el sistema de ventilación. Instale el sistema de ventilación antes de instalar la campana. Vea la sección "Requisitos de ventilación".

Complete la preparación

1. Determine la altura necesaria para el cable de suministro eléctrico de la casa y taladre un orificio de $1\frac{1}{4}$ " (3,2 cm) en esa ubicación.
2. Haga pasar el cable de suministro eléctrico de la casa según las normas del National Electrical Code (Código nacional eléctrico) o CSA (Asociación de normalización canadiense) y los códigos y ordenanzas locales. Debe haber suficiente conducto de $\frac{1}{2}$ " (1,3 cm) y cables de la caja de desconexión con fusible (o disyuntor) para hacer la conexión en la caja eléctrica de terminales de la campana.
NOTA: No reconecte la electricidad hasta que se haya completado la instalación.
3. Quite la cubierta de la caja de terminales y déjela a un lado.
4. Retire el disco removible de la parte superior de la campana de ventilación en instale un protector de cables homologado por UL o aprobado por CSA de $\frac{1}{2}$ " (1,3 cm).

Instalación de la campana de estufa

1. Dependiendo de su instalación, quite el disco removible rectangular superior o posterior del ducto de ventilación.

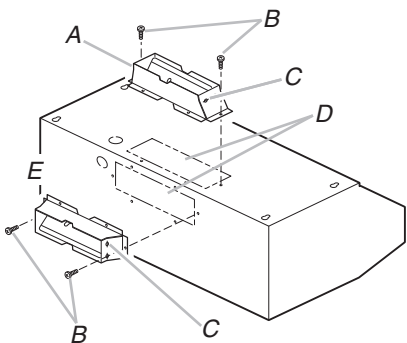


A. Discos removibles de la ventilación

2. Saque la cinta de la tapa de la compuerta.

NOTA: Puede instalarse la compuerta rectangular de 3 1/4" x 10" (8,3 x 25,4 cm) hasta 1" (2,5 cm) a cada lado del centro de la campana, para acomodar un ducto que no esté centrado.

3. Fije el conector de ventilación rectangular de 3 1/4" x 10" (8,3 x 25,4 cm) a la campana de estufa usando tornillos de lámina de metal.



A. Ventilación superior
B. Tornillos para lámina metálica
C. Pasador de la bisagra
D. Discos removibles de la ventilación
E. Ventilación trasera

NOTA: Si la tapa de pared está directamente tras el conector de ventilación rectangular de 3 1/4" x 10" (8,3 x 25,4 cm), verifique que la compuerta y la tapa de pared no interfieran entre sí. Retire la compuerta del conector de ventilación rectangular de 3 1/4" x 10" (8,3 x 25,4 cm) si interfieren.

4. Con la ayuda de dos o más personas, levante la campana y colóquela en su posición final. Haga pasar suficiente cable eléctrico a través del protector de cables de 1/2" (12,7 mm) que esté en la lista de UL o aprobado por CSA para hacer las conexiones en la caja de terminales. Apriete los tornillos del protector de cables.
5. Ubique la campana de estufa de modo que el extremo grande de las ranuras en forma de bocallave esté sobre los tornillos de montaje. Luego empuje la campana hacia la pared (en los montajes de gabinete) o permita que la campana se deslice hacia abajo hasta la altura de montaje marcada (para montaje de pared) de manera que los tornillos estén en el cuello de las ranuras. Apriete los tornillos de montaje, asegurándose de que los tornillos estén en el cuello angosto de las ranuras. (Para montajes de pared, verifique que la campana esté nivelada).
6. Conecte el ducto de ventilación a la campana. Selle las juntas con abrazaderas para que queden seguras y herméticas.
7. Verifique que las compuertas de contratiro funcionen adecuadamente.

Cómo hacer la conexión eléctrica

⚠ ADVERTENCIA



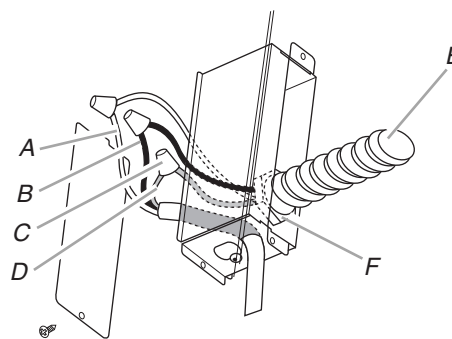
Peligro de Choque Eléctrico

Desconecte el suministro de energía antes de darle mantenimiento.

Vuelva a colocar todos los componentes y paneles antes de hacerlo funcionar.

No seguir estas instrucciones puede ocasionar la muerte o choque eléctrico.

1. Desconecte el suministro eléctrico.



A. Cables blancos
B. Cables negros
C. Conector de cables homologado por UL
D. Cables a tierra verdes (o sin recubrimiento) y amarillos y verdes
E. Cable de suministro eléctrico doméstico
F. Protector de cable homologado por UL o aprobado por CSA de 1/2" (1,3 cm)

2. Use conectores de cables que estén en la lista de UL y conecte cables blancos (A).
3. Use conectores de cables que estén en la lista de UL y conecte los cables negros (B).

⚠ ADVERTENCIA



Peligro de Choque Eléctrico

Conecte el soplador a tierra.

Conecte el alambre de tierra al alambre verde y amarillo de conexión a tierra en la caja de terminales.

No seguir estas instrucciones puede ocasionar la muerte o choque eléctrico.

4. Conecte el cable verde (o sin recubrimiento) de puesta a tierra del suministro eléctrico doméstico al cable amarillo - verde de puesta a tierra (C) en la caja de terminales usando conectores de cables que estén en la lista de UL.
5. Instale la cubierta de la caja de terminales.
6. Cerciórese de que todos los focos estén seguros en sus portalámparas.
7. Reconecte el suministro eléctrico.

Instalación de las cubiertas de la ventilación (opcional)

Si va a instalar una tapa completa opcional en la ventilación, siga las instrucciones incluidas con ese producto.

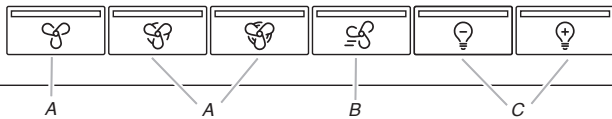
Finalización de la instalación

1. Instale los filtros de metal para grasa. Vea la sección "Cuidado de la campana de estufa".
2. Verifique el funcionamiento de la luz y del soplador de la campana de estufa. Vea la sección "Uso de la campana de estufa".

NOTA: Para obtener un uso más eficaz de su nueva campana de estufa, lea la sección "Uso de la campana de estufa".

USO DE LA CAMPANA DE ESTUFA

La campana de estufa se ha diseñado para remover humo, vapores provenientes de la cocción y olores del área de la superficie de cocción. Para obtener mejores resultados, encienda la campana antes de cocinar y permita que funcione por varios minutos después de haber cocinado, para que quite todo el humo y los olores de la estufa.



- A. Control de velocidad del ventilador
B. Nivel de Aumentar ventilador
C. Control de intensidad de la luz

Controles de la campana de estufa

Cómo utilizar la luz

1. Presione los botones de control de luz (C) para encender y controlar los ajustes de luz.
2. Para seleccionar una intensidad menor, presione el botón izquierdo de los dos botones de control de luz hasta que encuentre el ajuste de luz deseado. Para aumentar, presione el botón derecho.

Funcionamiento del ventilador

1. Presione los botones de control de velocidad de ventilador (A) para encender y controlar los ajustes del ventilador.
2. Para aumentar la velocidad del ventilador durante cinco minutos, presione el botón de nivel Fan Boost (Aumentar ventilador) (B). Una vez que hayan pasado los cinco minutos, el ventilador regresará a la velocidad anteriormente seleccionada.

Ventilador de encendido automático

La campana de estufa está equipada con un sensor para encender el ventilador automáticamente cuando se ha detectado. Si es necesario, el sensor pasará el ventilador al ajuste Boost (Aumentar), y una vez que el calor disminuya, el ventilador se apagará automáticamente.

Protector térmico

Si la campana de estufa se apaga mientras está en uso, presione el botón OFF (Apagar) para apagar la campana de estufa. Espere aproximadamente 60 minutos, luego presione el botón ON (Encender) para volver a poner en marcha la campana de estufa.

La campana de estufa está equipada con un protector térmico para evitar condiciones de sobrecalentamiento.

CUIDADO DE LA CAMPANA DE ESTUFA

Limpieza

IMPORTANTE: Limpie con frecuencia la campana y los filtros para grasa de acuerdo a las instrucciones a continuación. Vuelva a colocar los filtros para grasa antes de poner a funcionar la campana.

Superficies exteriores:

Para evitar daños a la superficie exterior, no use estropajos de acero ni jabonosos.

Siempre séquela con un paño para evitar manchas de agua.

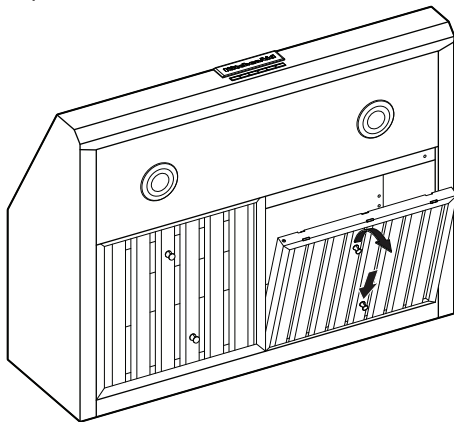
Método de limpieza:

- Detergente líquido y agua o producto de limpieza general.
- Límpiela con un paño suave húmedo o una esponja no abrasiva, enjuáguela con agua limpia y séquela con un paño.

Filtro de metal para grasa

Para sacar los filtros de metal para grasa:

1. Use dos manos para retirar los filtros de metal para grasa. Agarre las manijas del filtro, empuje hacia la parte trasera de la campana de estufa y empuje hacia abajo en la manija delantera para sacarlo.



2. Repetir para cada filtro de grasa.
3. Los filtros de grasa deben limpiarse usando agua tibia, líquido lavavajillas y un cepillo no abrasivo. No se recomienda la lavavajillas.

Para volver a instalar los filtros de metal para grasa:

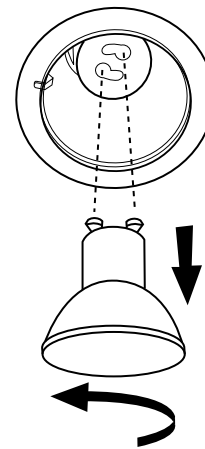
1. Agarre las manijas del filtro y ubíquelo la parte trasera del filtro en la guía trasera.
2. Empuje la manija trasera y ajuste la parte delantera del filtro para grasa en la guía delantera para fijarlo.
3. Repítalo para cada filtro.

Sustitución de lámparas LED

Apague la campana de estufa y espere a que se enfríe el foco LED. Para evitar dañar o acortar la vida útil del nuevo foco, no lo toque con los dedos descubiertos. Vuelva a colocar el foco, utilizando un pañuelo de papel o guantes de algodón para manipularlo.

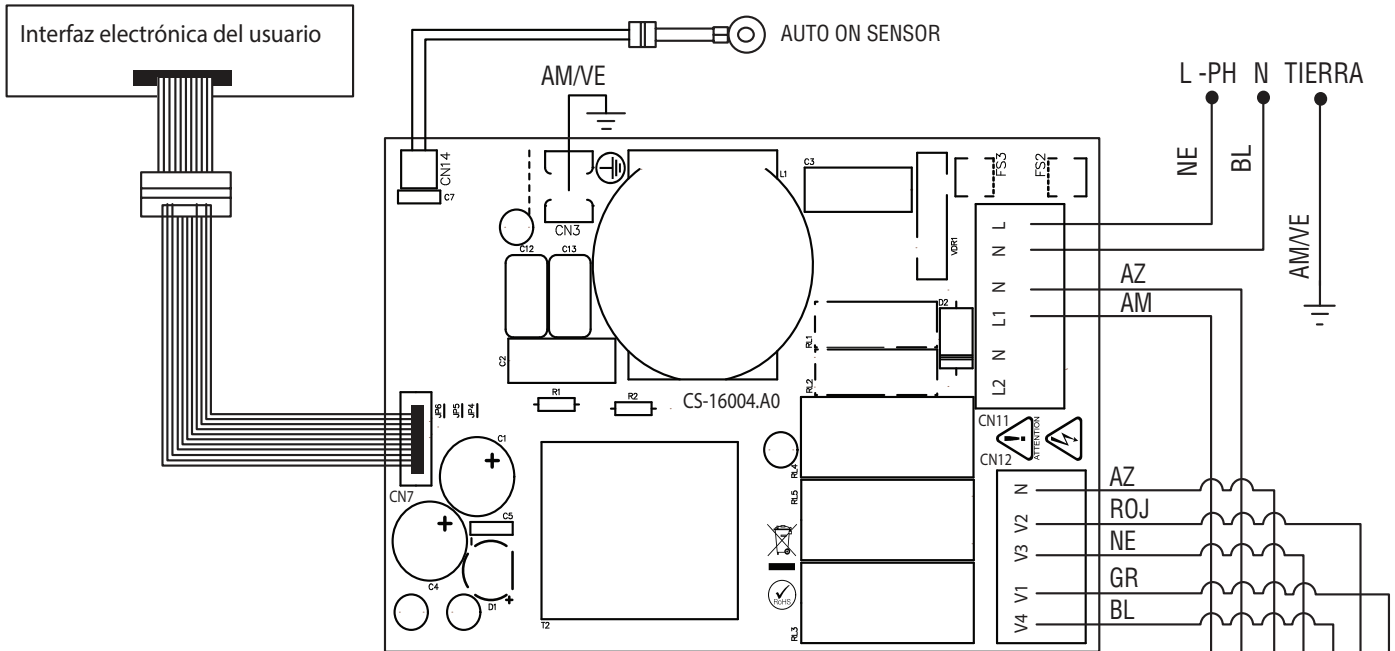
Si las nuevas lámparas no funcionan, cerciórese de que se hayan insertado correctamente antes de llamar para solicitar servicio.

1. Desconecte el suministro eléctrico.
2. Empuje la lente hacia arriba y gírela hacia la izquierda.

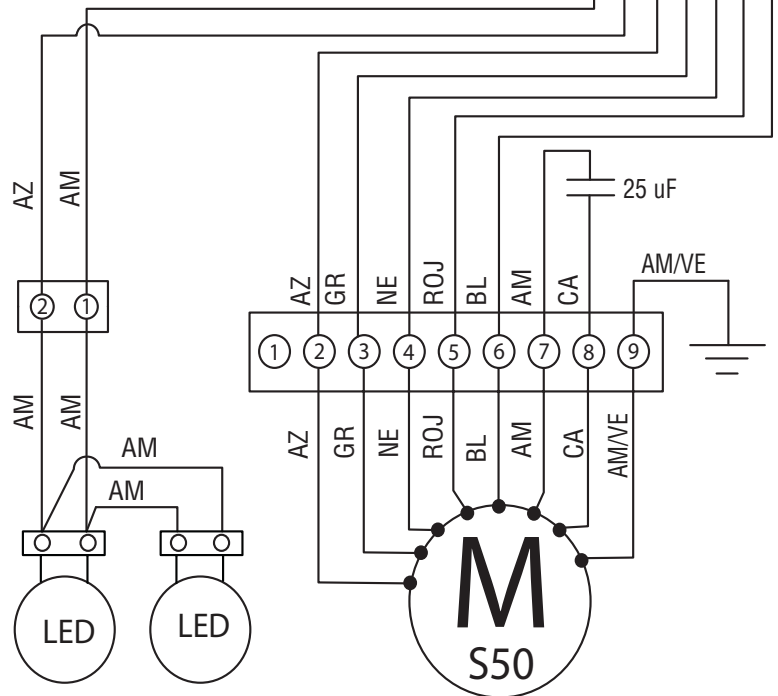


3. Quite el foco y reemplácelo con un foco LED de 120 voltios, 6,5 vatios como máximo, con una base GU10. Gírela en sentido del reloj para trabarla en su lugar.
4. Repita los pasos 2 a 3 para el otro foco, si es necesario.
5. Reconecte el suministro eléctrico.

DIAGRAMA DE CABLEADO



ESPECIFICACIONES DEL MOTOR	
SUMINISTRO ELÉCTRICO	120 V CA
FRECUENCIA	60 Hz
ABSORCIÓN DE POTENCIA	420 W
CORRIENTE	3,7 A
RESISTENCIA DEL MOTOR (Ω)	
Azul - Negro	9,8
Azul - Gris	14,3
Azul - Rojo	18
Azul - Blanco	21,6
Temperatura Ambiente	23 °C 74 °F



AYUDA O SERVICIO TÉCNICO

Cuando llame para obtener ayuda o servicio, tenga a mano la fecha de compra y el número completo del modelo y de la serie de su electrodoméstico. Esta información nos ayudará a atender mejor su solicitud.

Si necesita piezas de repuesto

Si necesita pedir piezas de repuesto, recomendamos que use únicamente piezas especificadas de fábrica. Las piezas especificadas de fábrica encajarán bien y funcionarán bien ya que están confeccionadas con la misma precisión empleada en la fabricación de cada electrodoméstico nuevo. Para encontrar piezas de repuesto especificadas de fábrica en su localidad, llámenos o llame al centro de servicio técnico designado más cercano a su localidad.

En México

Llame al centro para la experiencia del cliente de KitchenAid sin costo alguno al: **1 800 002 2767**.

Nuestros consultores ofrecen ayuda con:

- Características y especificaciones de nuestra línea completa de electrodomésticos.
- Referencias a distribuidores locales de electrodomésticos KitchenAid.
- Información sobre la instalación.
- Procedimientos de uso y mantenimiento.
- Venta de accesorios y repuestos.
- Asistencia al cliente especializada (idioma español, deficiencias de audición, visión limitada, etc.).
- Recomendaciones de distribuidores locales, distribuidores de repuestos y empresas de servicio. Los técnicos designados por KitchenAid están capacitados para cumplir con la garantía de producto y ofrecer servicio una vez que la garantía termine en cualquier lugar de los México. Para localizar una compañía de servicio técnico designada por KitchenAid en su área, también puede consultar la sección amarilla de su guía telefónica.

Notas

Notas

Notas

®/™ ©2020 KitchenAid. All rights reserved. Used under license in Canada.
Tous droits réservés. Utilisé sous licence au Canada.
Todos los derechos reservados. Usado bajo licencia en Canadá.
Made in Mexico / Fabriqué au Mexique / Hecho en Mexico