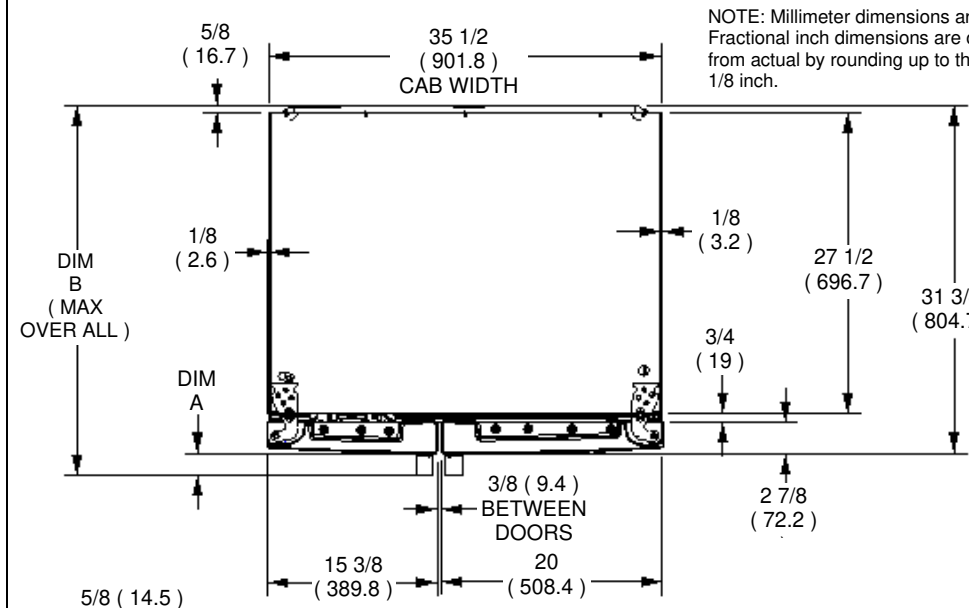


DIMENSION SPECIFICATIONS for: 25 cu. ft. Side by Side Refrigerator/Freezer

W11126832

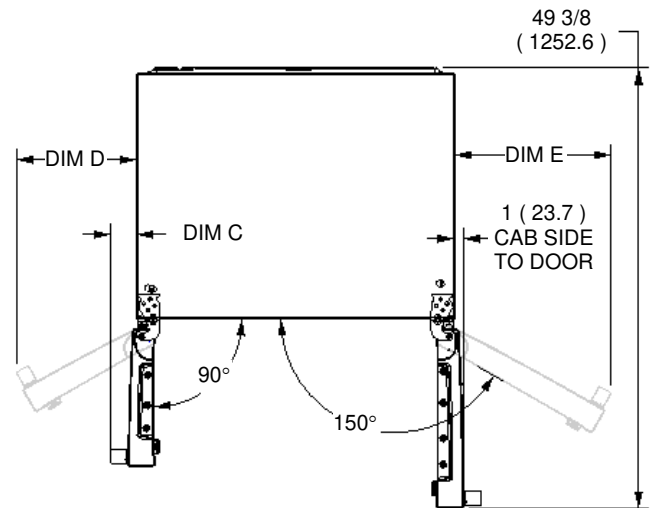
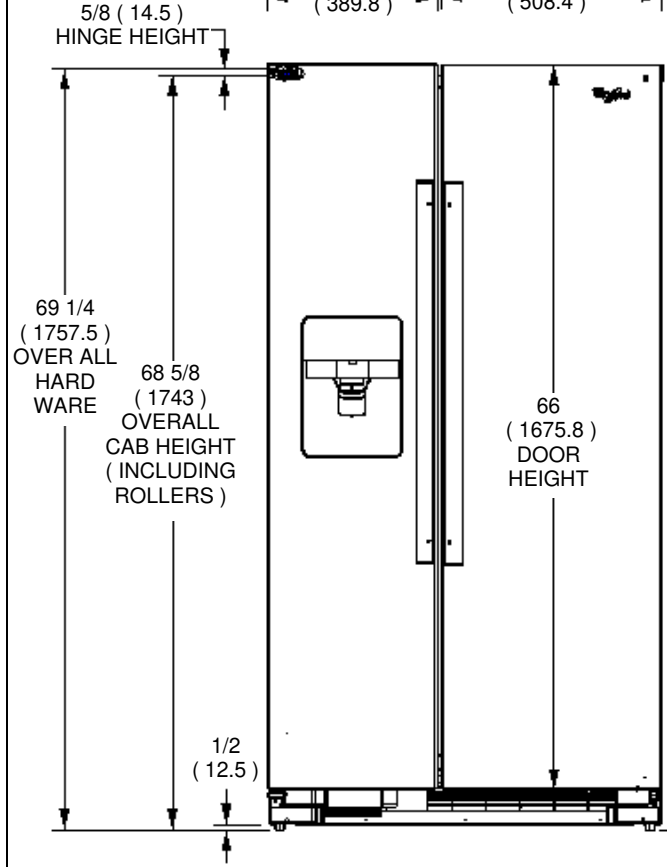


DIMENSIONS ARE FRACTIONAL INCHES AND MILLIMETERS IN PARENTHESES ()



NOTE: Millimeter dimensions are actual. Fractional inch dimensions are derived from actual by rounding up to the next 1/8 inch.

MINIMUM CABINET OPENING:
 WIDTH 36 (914.4) - inside baseboard trim
 HEIGHT 69 1/8 (1755.7) - w/ half depth upper cabinets
 70 3/8 (1784.3) - w/ full depth upper cabinets



NOTE: Doors indicated by phantom lines in the view above are shown opened to the door stops.

INTERIOR DIMENSIONS

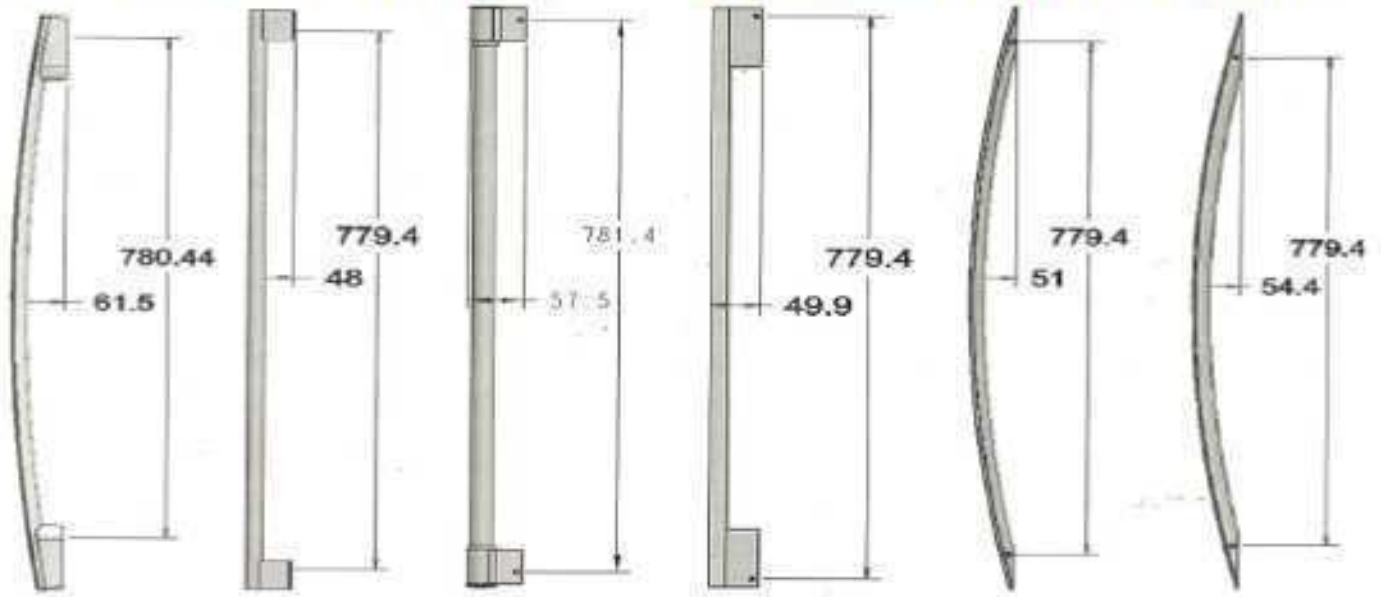
	WIDTH	HEIGHT
REFRIGERATOR COMPARTMENT	17 1/2 (445.5)	58 7/8 (1520)
FREEZER COMPARTMENT	12 1/2 (317)	59 3/8 (1508.3)

TABULATION

HANDLE GROUP	DIM A HANDLE HEIGHT FROM FACE OF DOOR	DIM B MAX OVERALL DEPTH	DIM C (MAXIMUM)	DIM D (MAXIMUM)	DIM E (MAXIMUM)
GROUP 1	2 (51) W10874778	33 5/8 (855.4)	2 7/8 (73.8)	13 3/8 (339.6)	17 (433.2)
GROUP 2	2 (50) W10874779	33 5/8 (854.5)	2 7/8 (73)	13 (329.5)	17 (433.4)
GROUP 3	1 7/8 (48) W10202819	33 5/8 (852.7)	2 3/4 (71)	13 (329.7)	17 (433.6)
GROUP 4	2 1/8 (54.5) W10886627	33 7/8 (859)	3 (77.5)	13 3/8 (338.6)	17 1/2 (442.8)
GROUP 5	2 1/4 (57.5) W10836782	34 (864)	3 1/8 (80)	13 1/8 (334.6)	17 1/4 (438)
GROUP 6	2 3/8 (61.5) W10127803	34 1/8 (866)	3 3/8 (84.6)	13 1/2 (341.2)	17 1/2 (445)

- NOTES:**
- 1) Door opening required to move product (with doors and base grille removed): 29 1/4 in. (741.9 mm)
 - 2) Carton Size: 71 3/4 in. High x 38 1/8 in. Wide x 34 3/4 in. Deep (1820.8 mm) x (967.7 mm) x (882.4 mm)

W10127803 W10202819 W10836783 W10874799 W10874798 W10886627



GROUP	NAME	BRAND	PART NUMBER
1	BREATHE	WHIRLPOOL	W10874798
2	ASPIRE	WHIRLPOOL	W10874799
3	NUTID	IKEA	W10202819
4	KPX2	KENMORE	W10886627
5	STRAIGHT	MAYTAG	W10836783
6	MID LENGTH	AMANA	W10227803

REV	CHANGE	EN NO.	DATE	REV	CHANGE	EN NO.	DATE
A	Release W11126832	2106206	29-May-2017				
B	Add Handles Group in sheet 2	2169720	09-Sep-2018				