

**DIMENSION SPECIFICATIONS for: 25 cu. ft. Side by Side Refrigerator/Freezer**

**W11126832**



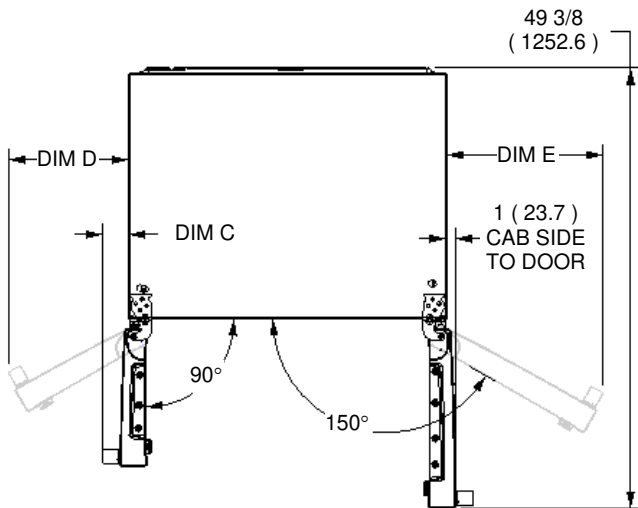
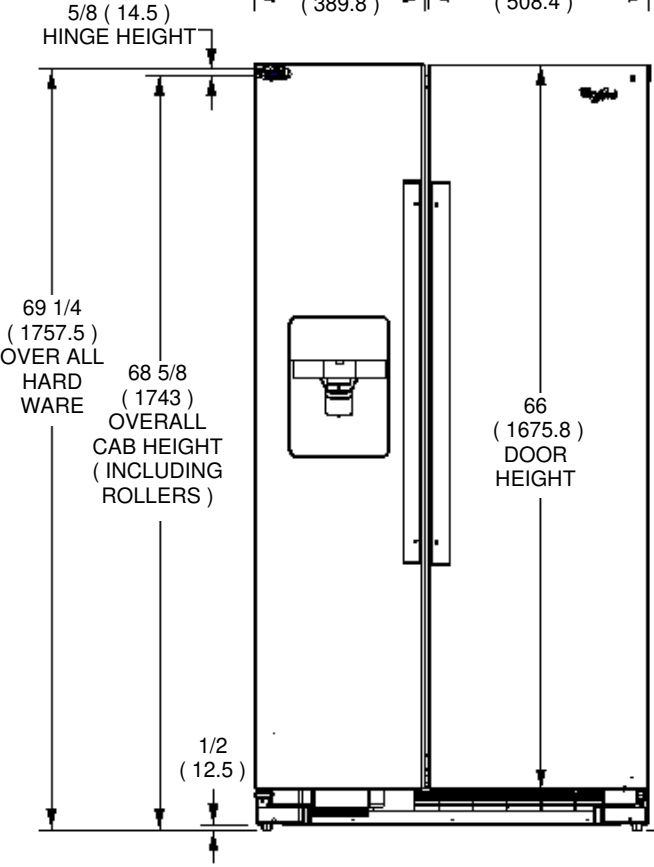
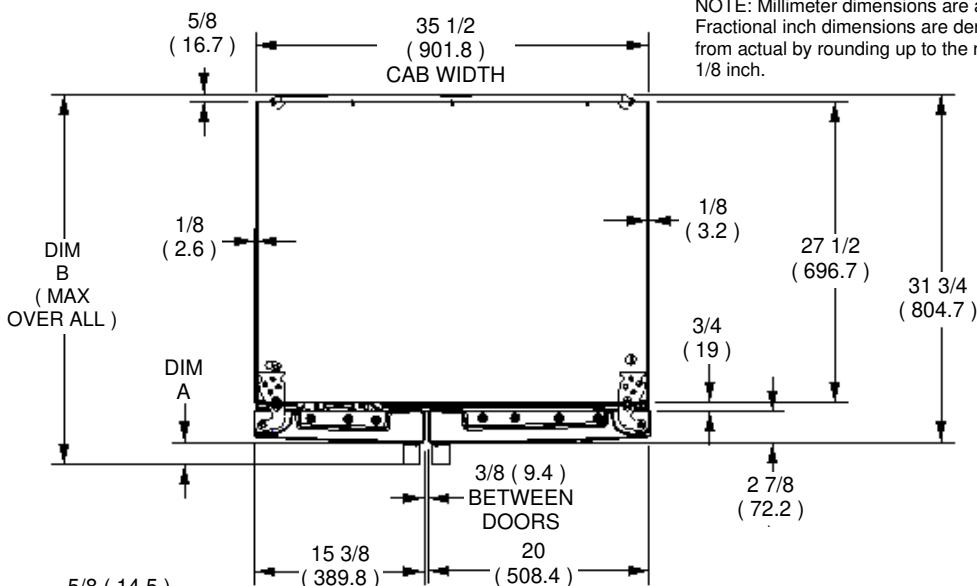
NOTE: Millimeter dimensions are actual. Fractional inch dimensions are derived from actual by rounding up to the next 1/8 inch.

**DIMENSIONS ARE FRACTIONAL INCHES AND MILLIMETERS IN PARENTHESES ( )**

MINIMUM CABINET OPENING:

WIDTH 36 ( 914.4 ) - inside baseboard trim

HEIGHT 69 1/8 ( 1755.7 ) - w/ half depth upper cabinets  
70 3/8 ( 1784.3 ) - w/ full depth upper cabinets



NOTE: Doors indicated by phantom lines in the view above are shown opened to the door stops.

**INTERIOR DIMENSIONS**

	WIDTH	HEIGHT
REFRIGERATOR COMPARTMENT	17 1/2 ( 445.5 )	58 7/8 ( 1520 )
FREEZER COMPARTMENT	12 1/2 ( 317 )	59 3/8 ( 1508.3 )

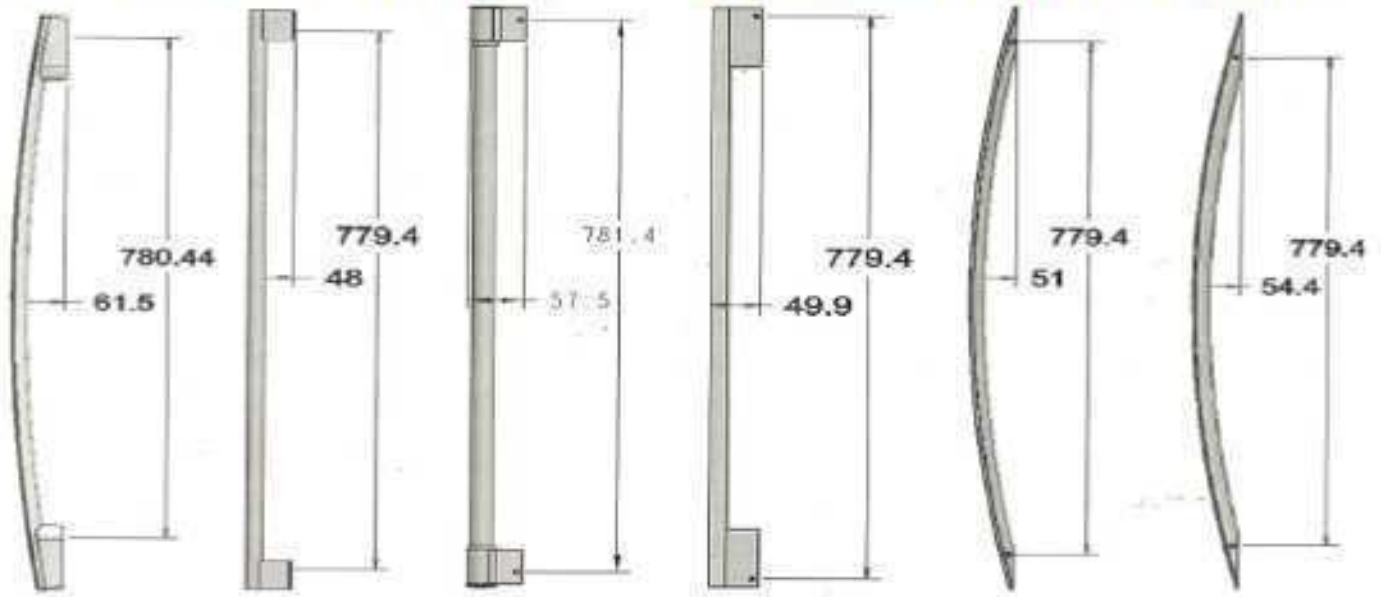
**TABULATION**

HANDLE GROUP	DIM A HANDLE HEIGHT FROM FACE OF DOOR	DIM B MAX OVERALL DEPTH	DIM C ( MAXIMUM )	DIM D ( MAXIMUM )	DIM E ( MAXIMUM )
GROUP 1	2 ( 51 ) W10874778	33 5/8 ( 855.4 )	2 7/8 ( 73.8 )	13 3/8 ( 339.6 )	17 ( 433.2 )
GROUP 2	2 ( 50 ) W10874779	33 5/8 ( 854.5 )	2 7/8 ( 73 )	13 ( 329.5 )	17 ( 433.4 )
GROUP 3	1 7/8 ( 48 ) W10202819	33 5/8 ( 852.7 )	2 3/4 ( 71 )	13 ( 329.7 )	17 ( 433.6 )
GROUP 4	2 1/8 ( 54.5 ) W10886627	33 7/8 ( 859 )	3 ( 77.5 )	13 3/8 ( 338.6 )	17 1/2 ( 442.8 )
GROUP 5	2 1/4 ( 57.5 ) W10836782	34 ( 864 )	3 1/8 ( 80 )	13 1/8 ( 334.6 )	17 1/4 ( 438 )
GROUP 6	2 3/8 ( 61.5 ) W10127803	34 1/8 ( 866 )	3 3/8 ( 84.6 )	13 1/2 ( 341.2 )	17 1/2 ( 445 )

**NOTES:**

- 1) Door opening required to move product ( with doors and base grille removed ): 29 1/4 in. ( 741.9 mm )
- 2) Carton Size: 71 3/4 in. High x 38 1/8 in. Wide x 34 3/4 in. Deep ( 1820.8 mm ) x ( 967.7 mm ) x ( 882.4 mm )

W10127803    W10202819    W10836783    W10874799    W10874798    W10886627



GROUP	NAME	BRAND	PART NUMBER
1	BREATHE	WHIRLPOOL	W10874798
2	ASPIRE	WHIRLPOOL	W10874799
3	NUTID	IKEA	W10202819
4	KPX2	KENMORE	W10886627
5	STRAIGHT	MAYTAG	W10836783
6	MID LENGTH	AMANA	W10227803

REV	CHANGE	EN NO.	DATE	REV	CHANGE	EN NO.	DATE
A	Release W11126832	2106206	29-May-2017				
B	Add Handles Group in sheet 2	2169720	09-Sep-2018				