

Repair Parts List

MODEL NUMBER

JDS8850BDB

DUEL FUEL RANGE

When requesting service or ordering parts, always provide the following information:

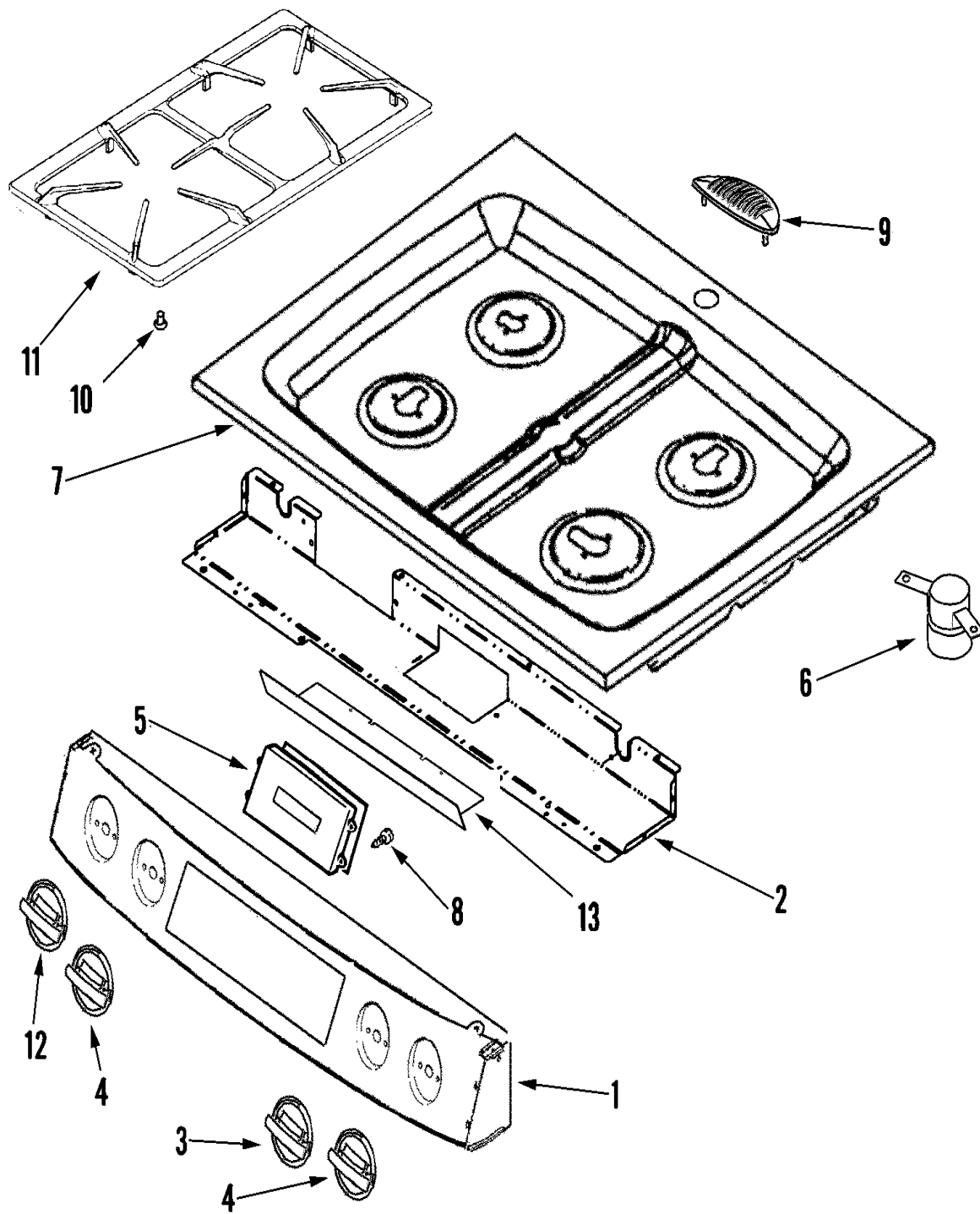
- Product Type
- Part Number
- Model Number
- Part Description

MAYTAG®

©2005 Maytag Services

Section: CONTROL PANEL/TOP ASSEMBLY

Model: JDS8850BDB



C15-635

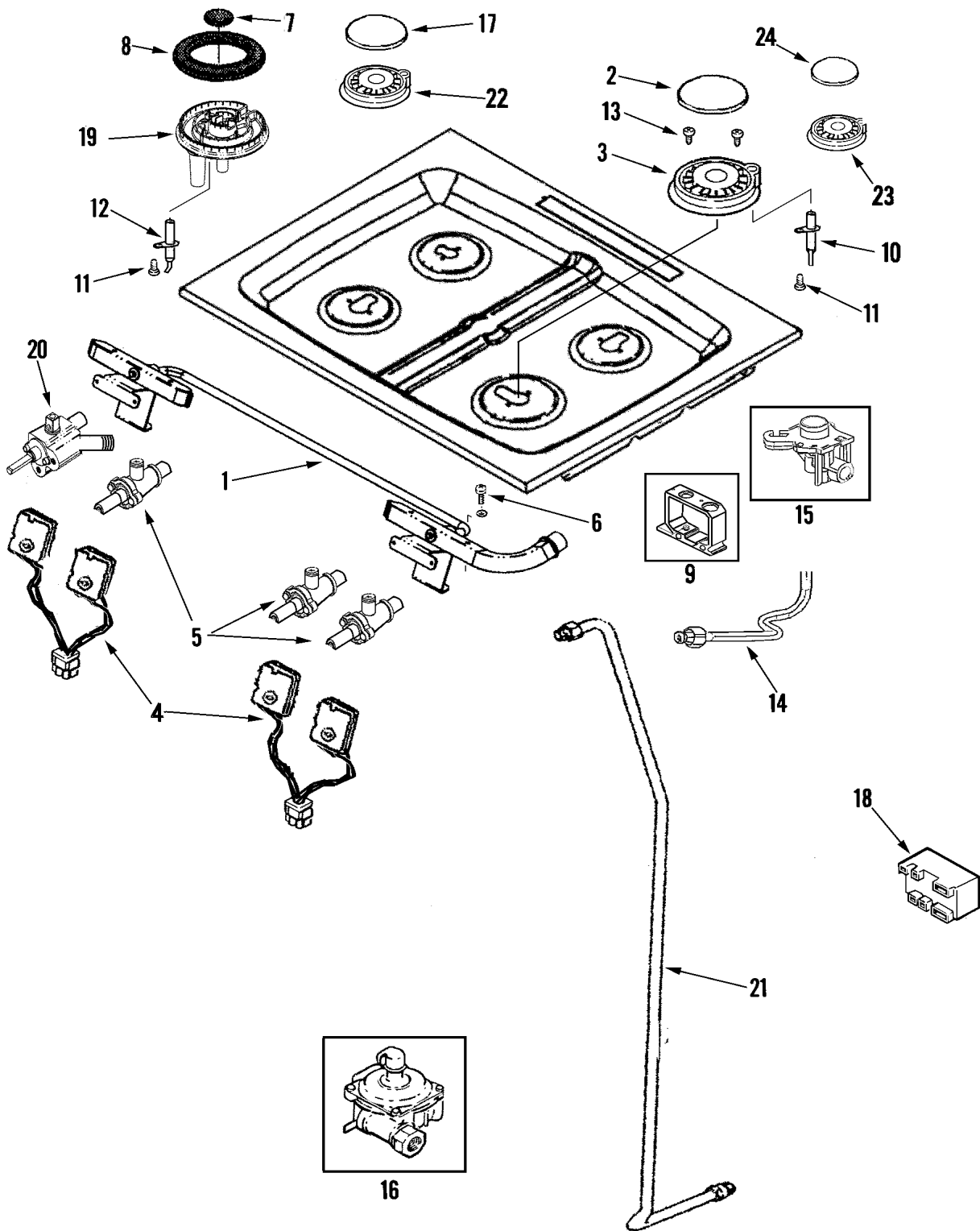
Section: CONTROL PANEL/TOP ASSEMBLY

No.	Part No.	Description	Series	Qty
1	74011660	CONTROL PANEL/SWITCH ASY (BLK)	10	1
2	74011824	SUPPORT, CONTROL PANEL	10	1
3	74011664	KNOB, BURNER (SMR) Note: KNOB, BURNER (SMR)(RR)	10	1
4	74011666	KNOB, BURNER Note: KNOB, BURNER (LR/RF)	10	2
5	74011725	CONTROL	10	1
6	74005759	TUBE, VENT (UPR)	10	1
7	74011722	TOP ASY (BLK)	10	1
8	74004005	SCREW, 6-32 X 5/16"	10	4
9	74011632	TRIM, VENT (BLK)	10	1
10	74007356	BUMPER, GRATE BOTTOM	10	4
-	M0275597	SEALER, RTV CLEAR	10	1
11	74011706	GRATE (BLK)	10	2
12	74011665	KNOB, BURNER (DUAL) Note: KNOB, BURNER (DUAL)(LF)	10	1
13	74011825	INSULATOR, SHIELD	10	1

*Color Code (-)=Not Shown #=Series, Serial Prefix or Run No., N=Not Available

Section: GAS CONTROLS

Model: JDS8850BDB



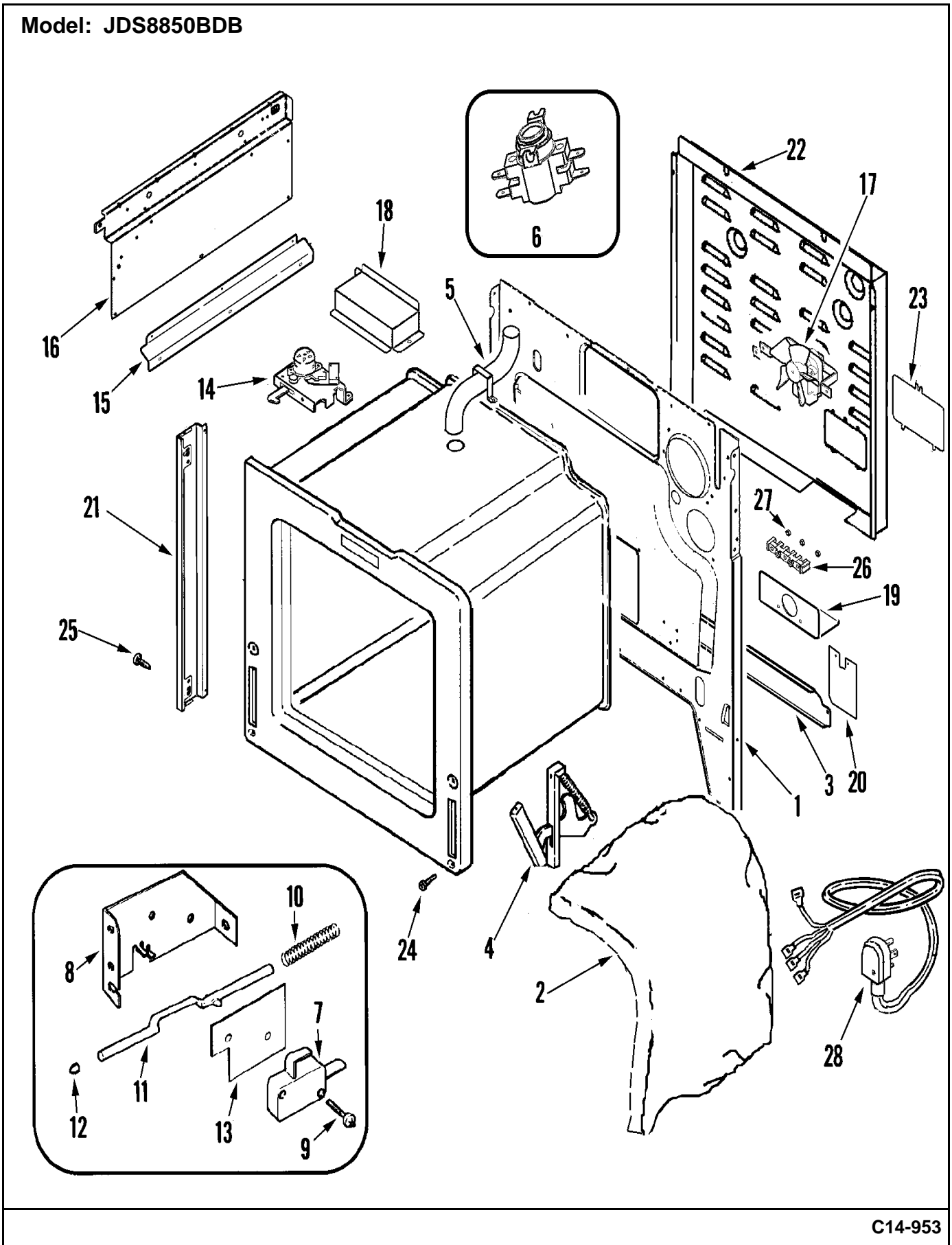
Section: GAS CONTROLS

No.	Part No.	Description	Series	Qty
1	74011659	MANIFOLD PIPE ASY	10	1
2	74007750	CAP, BURNER (EX-LRG/BLK)	10	1
3	74007736	BURNER ASSEMBLY (X-LRG) Note: BASE, BURNER (RF)	10	1
4	74011648	SWITCH/HARNESS ASY (RT)	10	1
4	74011647	SWITCH/HARNESS ASY (LT)	10	1
5	74009451	VALVE, 5K (MUELLER) Note: VALVE, BURNER (RR)	10	1
5	74009452	VALVE, 9K (MUELLER) Note: VALVE, BURNER (LR)	10	1
5	74009453	VALVE, 16K (MUELLER) Note: VALVE, BURNER (RF)	10	1
6	74009416	SCREW	10	4
7	74011650	CAP, DUAL BURNER (BLK/INNER)	10	1
8	74011651	CAP, DUAL BURNER (BLK/OUTER)	10	1
9	74011669	HOLDER, ORIFICE (DUAL BNR)	10	1
10	74009336	IGNITOR	10	3
11	74009337	SCREW, IGNITOR	10	4
12	74011829	IGNITER (DUAL BURNER)	10	1
13	74007410	SCREW, SELF TAPPING----S	10	10
14	74011653	TUBING, BURNER (RF)	10	1
14	74011654	TUBING, BURNER (RR)	10	1
14	74011655	TUBING, BURNER (LR)	10	1
14	74011656	TUBING, DUAL BURNER (INNER)	10	1
14	74011657	TUBING, DUAL BURNER (OUTER)	10	1
15	74007764	HOLDER, ORIFICE (9.2K) Note: HOLDER, ORIFICE (9.2K-LR)	10	1
15	74009553	HOLDER, ORIFICE (5K) Note: HOLDER, ORIFICE (5K-RR)	10	1
15	74007766	HOLDER, ORIFICE (15K) Note: HOLDER, ORIFICE (16K-RF)	10	1
16	74011871	REGULATOR, PRESSURE	10	1
17	74007749	CAP, BURNER (MED-BLK)	10	1
18	71002783	MODULE, SPARK	10	1
19	74011652	BURNER ASY (DUAL)	10	1
20	74011649	VALVE, BURNER (DUAL)	10	1
21	74011658	TUBING, SUPPLY	10	1
22	74007735	BURNER ASSEMBLY (LRG) Note: BASE, BURNER (LR)	10	1
23	74007734	BURNER ASSEMBLY (SMALL) Note: BASE, BURNER (RR)	10	1
24	74007748	CAP, BURNER (SMR-BLK)	10	1

*Color Code (-)=Not Shown #=Series, Serial Prefix or Run No., N=Not Available

Section: BODY

Model: JDS8850BDB



C14-953

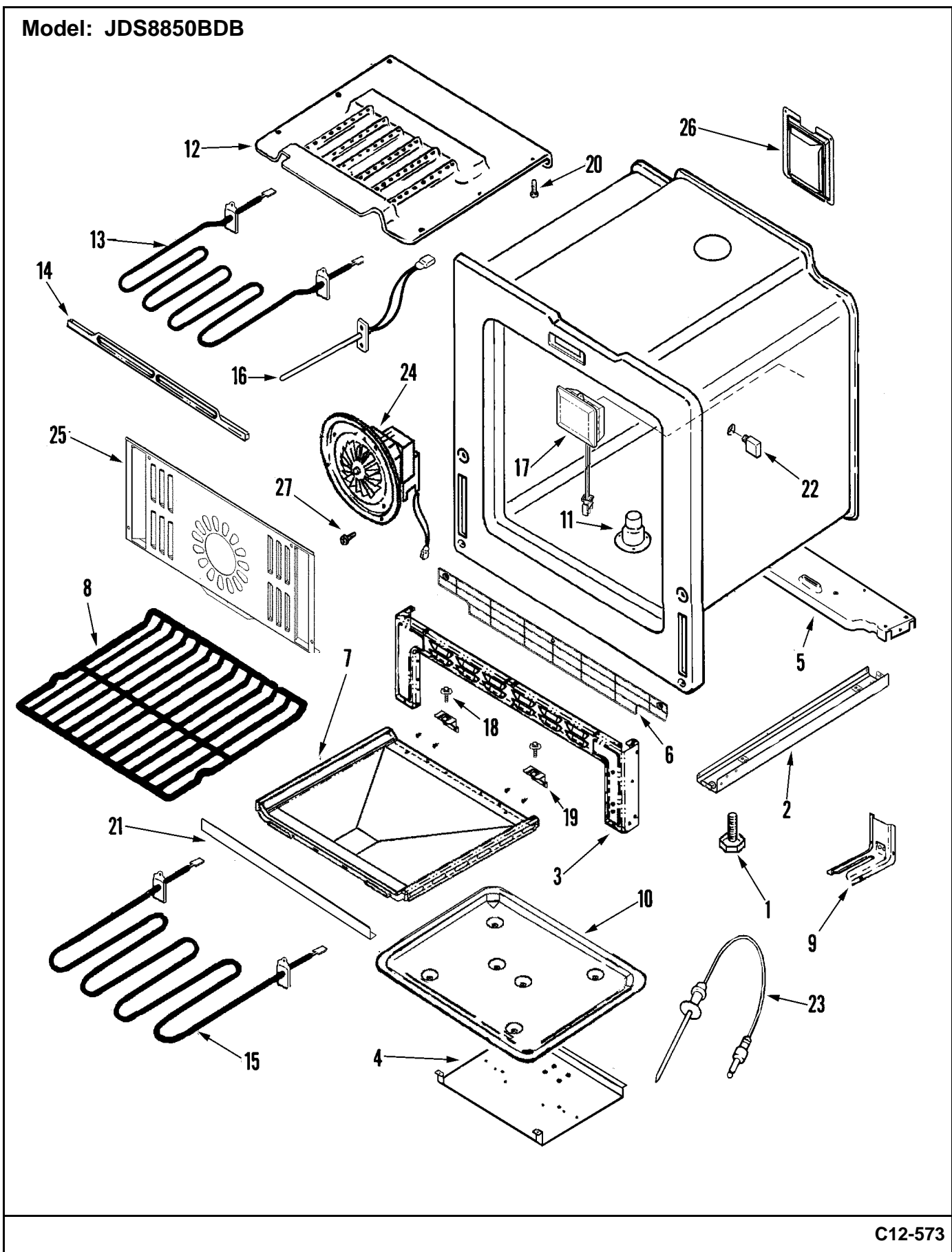
Section: BODY

No.	Part No.	Description	Series	Qty
1	74011465	BACK, MAIN	10	1
2	74010987	INSULATION, WRAPPER	10	1
3	74010815	EXTENSION, MAIN BACK	10	1
4	74011475	HINGE, DOOR	10	2
-	74010817	HOLDER, VENT TUBE	10	1
5	74010816	TUBE, VENT	10	1
6	74008265	THERMOSTAT, HI-LIMIT (UPR)	10	1
7	74008263	SWITCH, DOOR LOCK	10	1
8	74001632	BRACKET, SWITCH ACTUATOR	10	1
9	22002368	SCREW----NA	10	2
10	74001629	SPRING, DOOR SWITCH	10	1
11	74003562	ROD, DOOR LIGHT SWITCH	10	1
12	74001631	BUMPER, ROD	10	1
13	74008264	INSULATOR	10	1
14	74010819	LATCH ASY	10	1
15	74010820	EXTENSION, HEAT SHEILD	10	2
16	74010822	PANEL, SHIELD (RT)	10	1
16	74010821	PANEL, SHIELD (LT)	10	1
17	74010823	FAN, COOLING	10	1
18	74010845	COVER, DOOR LATCH	10	1
19	74011488	BRACKET, POWER SUPPLY	10	1
20	74006364	INSULATOR, POWER CORD	10	1
21	74010831	TRIM, SIDE (BLK)	10	2
22	74006096	COVER, WIRE (REAR)	10	1
23	74005264	COVER, TERMINAL BLOCK	10	1
24	7101P112-60	SCREW	10	4
25	74003976	SCREW, SHOULDER	10	4
26	7401P039-60	BLOCK, TERMINAL	10	1
27	7103P027-60	NUT, TERMINAL BLOCK	10	3
28	74011522	CORD, POWER (90C/4 WIRE)	10	1

*Color Code (-)=Not Shown #=Series, Serial Prefix or Run No., N=Not Available

Section: OVEN/BASE

Model: JDS8850BDB



C12-573

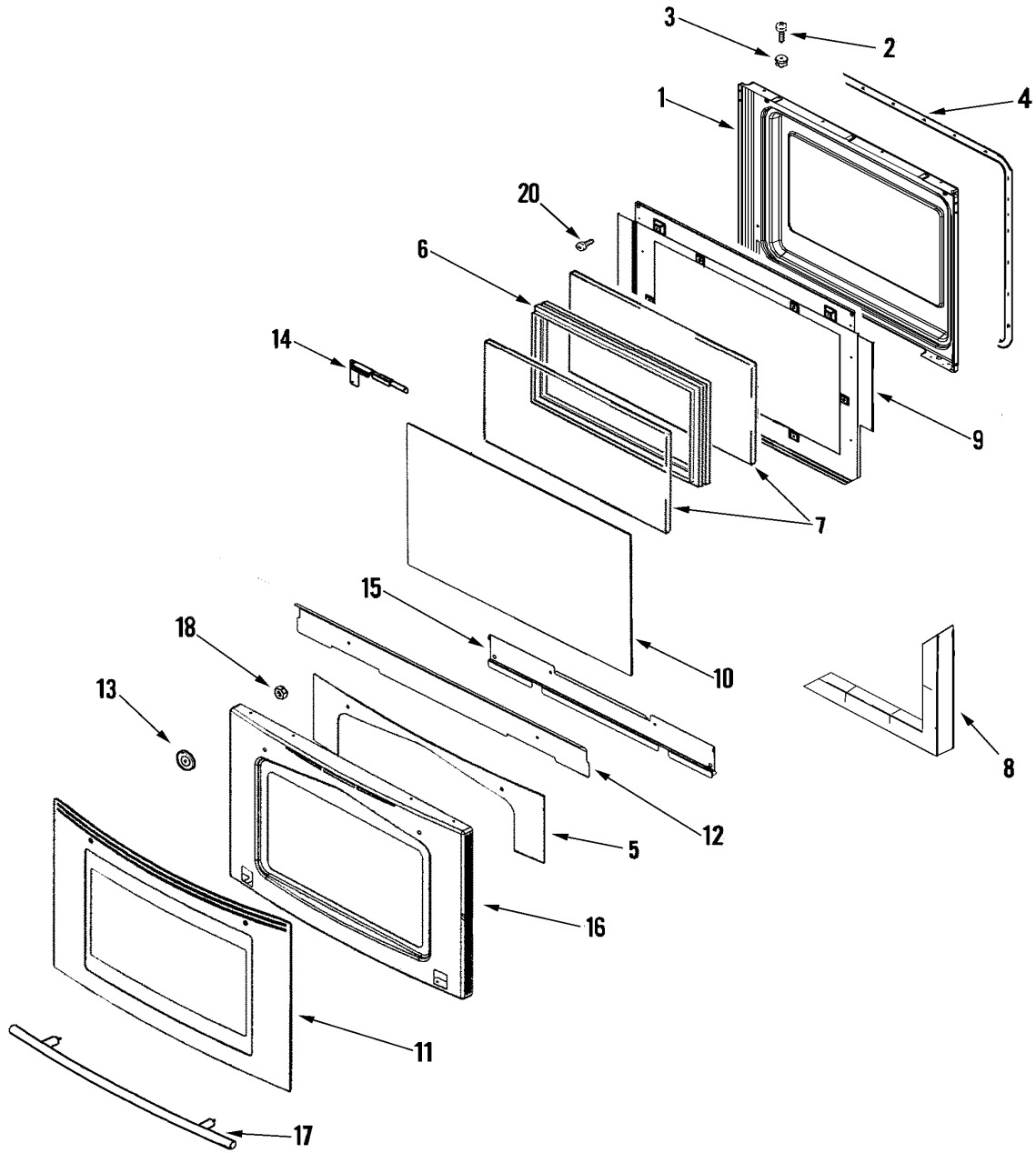
Section: OVEN/BASE

No.	Part No.	Description	Series	Qty
1	74010805	SCREW, LEVELING LEG	10	4
2	74010899	BOTTOM, PEDESTAL	10	2
3	74010882	PEDESTAL, FRONT	10	2
4	74006591	SHIELD, WARMING DRAWER	10	1
5	74007129	SUPPORT, VALVE REGULATOR	10	1
6	74011482	TRIM, FRONT FRAME (BLK)	10	1
7	74010853	BOTTOM, OVEN	10	1
8	74001757	RACK, OVEN	10	3
9	74005564	BRACKET, ANTI-TIP	10	1
-	7101P352-60	SCREW	10	2
10	74010806	PAN, BAKE	10	1
-	74010809	PLATE, VENT COVER	10	1
11	74010808	TUBE, VENT (LWR)	10	1
12	74008408	SHIELD, BROIL (30")	10	1
13	74011479	ELEMENT, BROIL	10	1
14	74003563	SUPPORT, BROIL ELEMENT	10	1
15	74010811	ELEMENT, BAKE	10	1
16	74004943	SENSOR, OVEN (LONG)	10	1
17	74011220	LIGHT ASY, HALOGEN	10	1
18	74003976	SCREW, SHOULDER	10	2
19	74010812	SUPPORT, OVEN BOTTOM	10	2
20	74010505	SCREW, 3/4" HEX HEAD	10	6
21	74010807	COVER, FRONT	10	1
22	74009602	RECEPTACLE, MEAT PROBE	10	1
23	74008469	PROBE, MEAT	10	1
24	74011517	CONVECTION FAN ASY.	10	1
25	74011752	COVER, CONVECTION FAN	10	1
26	74010814	RETAINER, CONV INSULATION	10	1
27	7101P124-60	SCREW W/WASHER	10	6

*Color Code (-)=Not Shown #=Series, Serial Prefix or Run No., N=Not Available

Section: DOOR (SER PRE 10)

Model: JDS8850BDB



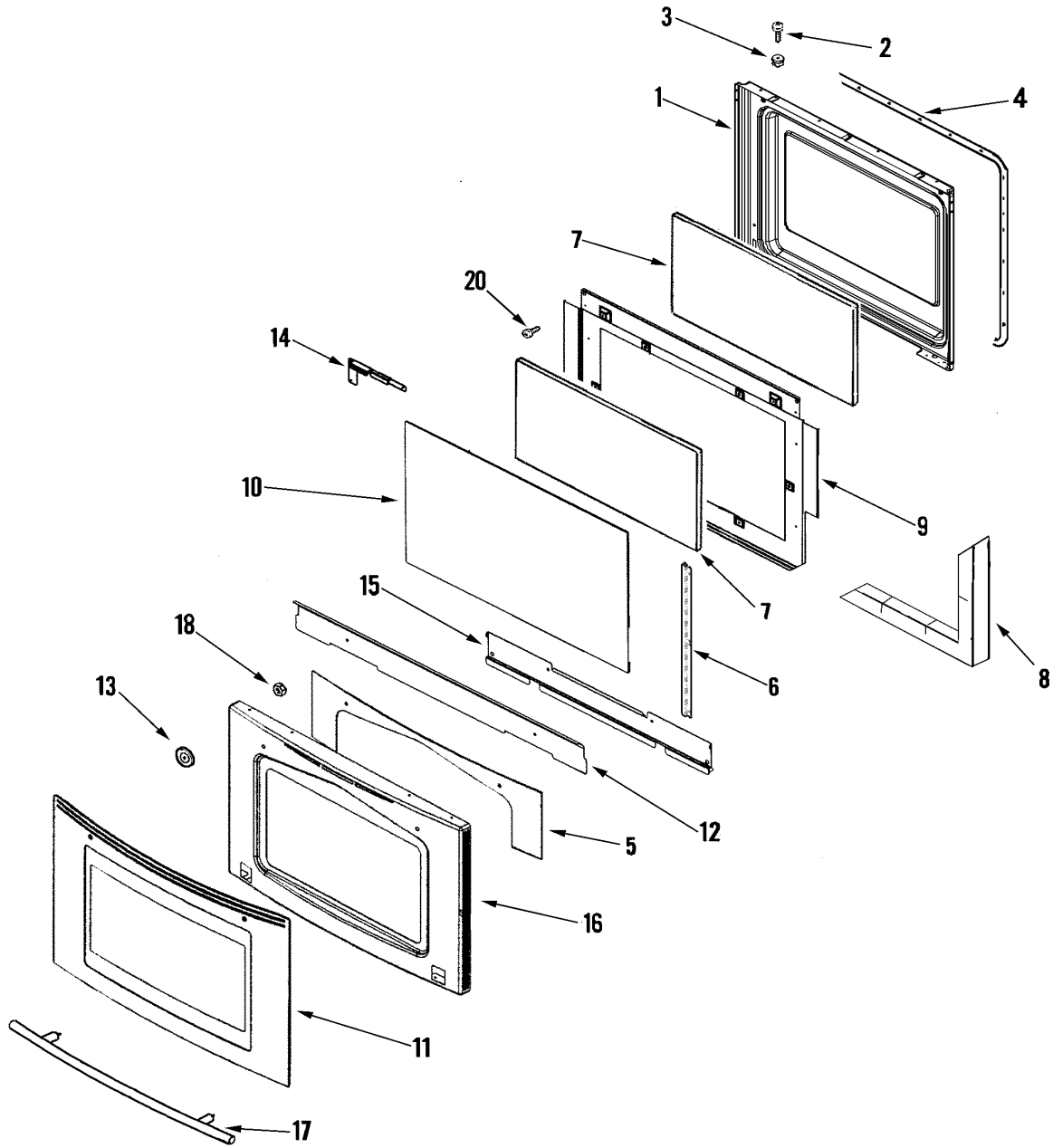
Section: DOOR (SER PRE 10)

No.	Part No.	Description	Series	Qty
1	74003642	LINING, DOOR	10	1
2	74009537	SCREW (BLK)	10	4
3	74001574	NUT, SNAP (ROUND-BLK)	10	2
4	7201P046-60	GASKET, DOOR	10	1
5	74011509	INSULATION, DOOR	10	2
6	74003644	FRAME, GLASS	10	1
7	74003645	GLASS, INNER	10	2
8	74003647	INSULATION, OVEN DOOR	10	2
9	74011339	BAFFLE, OVEN DOOR	10	1
10	74010231	GLASS, DOOR (INNER/COATED)	10	1
11	74011511	GLASS ASY, DOOR (BLK)	10	1
12	74011049	SHIELD, DOOR	10	1
13	74009194	WASHER, HANDLE	10	2
14	74011504	RETAINER, GLASS (RT)	10	1
14	74011503	RETAINER, GLASS (LT)	10	1
15	74007215	RETAINER, DOOR GLASS	10	1
16	74011507	FRAME, DOOR (BLK)	10	1
17	74008625	HANDLE, DOOR (SS)	10	1
18	311426	NUT, WASHED LOCK	10	2

*Color Code (-)=Not Shown #=Series, Serial Prefix or Run No., N=Not Available

Section: DOOR (SER PRE 11)

Model: JDS8850BDB



C11-938

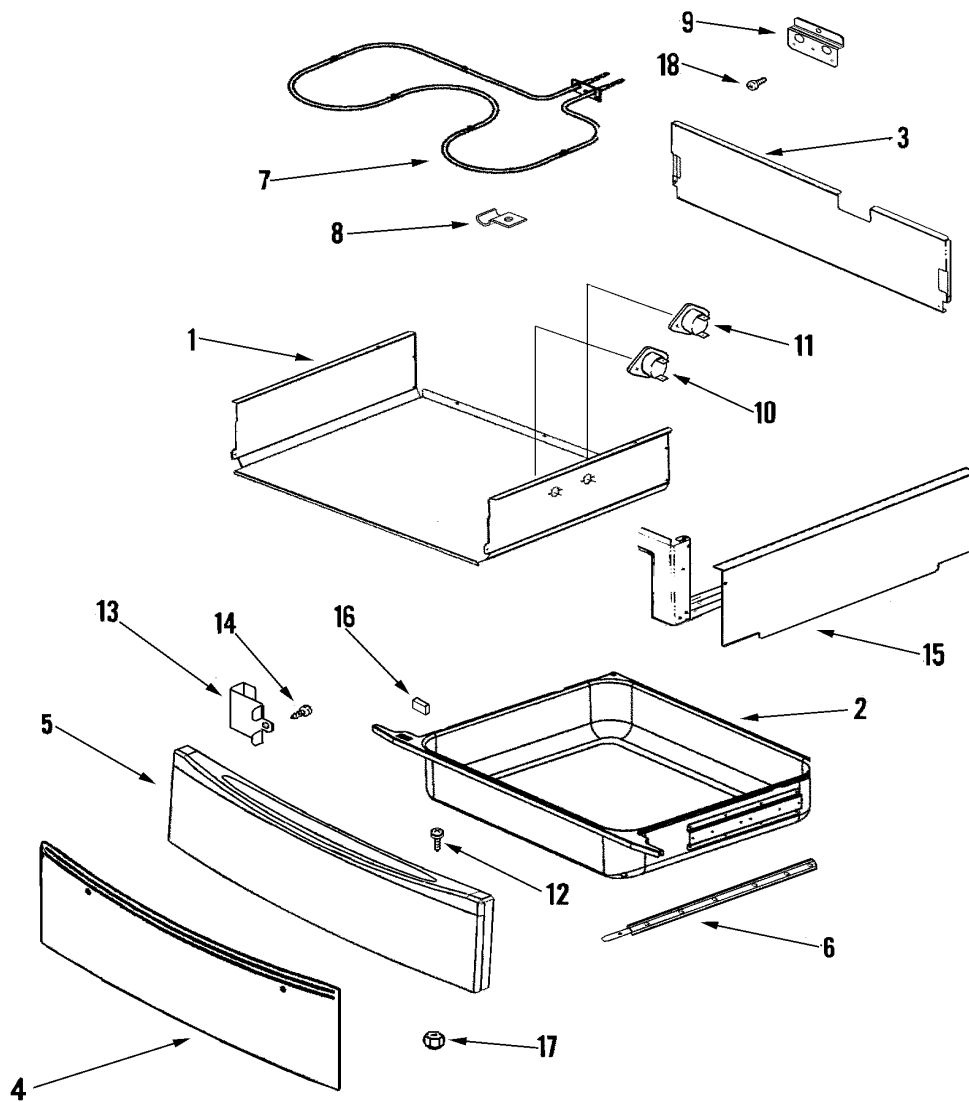
Section: DOOR (SER PRE 11)

No.	Part No.	Description	Series	Qty
1	74011456	LINING, DOOR	11	1
2	74009537	SCREW (BLK)	11	4
3	74001574	NUT, SNAP (ROUND-BLK)	11	2
4	7201P046-60	GASKET, DOOR	11	1
5	74011509	INSULATION, DOOR	11	2
6	74011458	BRACKET, INNER GLASS	11	2
7	74003645	GLASS, INNER	11	2
8	74003647	INSULATION, OVEN DOOR	11	2
9	74011457	BAFFLE, OVEN DOOR	11	1
10	74010231	GLASS, DOOR (INNER/COATED)	11	1
11	74011511	GLASS ASY, DOOR (BLK)	11	1
12	74011049	SHIELD, DOOR	11	1
13	74009194	WASHER, HANDLE	11	2
14	74011463	RETAINER, GLASS (RT)	11	1
14	74011797	RETAINER, GLASS (LT)	11	1
15	74011464	RETAINER, GLASS (LWR)	11	1
16	74011507	FRAME, DOOR (BLK)	11	1
17	74008625	HANDLE, DOOR (SS)	11	1
18	311426	NUT, WASHERED LOCK	11	2

*Color Code (-)=Not Shown #=Series, Serial Prefix or Run No., N=Not Available

Section: WARMING DRAWER

Model: JDS8850BDB



Section: WARMING DRAWER

No.	Part No.	Description	Series	Qty
1	74011814	BODY, WARMING DRAWER	10	1
2	74011815	DRAWER, WARMING	10	1
3	74011816	BACK, WARMING DRAWER	10	1
4	74011543	GLASS ASY, DRAWER (BLK)	10	1
-	74003975	SCREW (8ABX3/8-BLK)	10	8
6	74006588	GLIDE, WARMING DRAWER	10	2
7	74005789	ELEMENT, WARMER	10	1
8	74006592	CLIP, WARMING ELEMENT	10	4
9	74006576	SUPPORT, ELEMENT (REAR)	10	1
10	74006585	SWITCH, HI-LIMIT (ELEC/DRAWER)	10	1
11	74006587	SWITCH, HI-LIMIT (ELEC/DRAWER)	10	1
12	74004310	SCREW, PANEL	10	2
13	74010896	BRACKET, DRAWER	10	2
14	74002979	SCREW, 8 X 1/2	10	2
15	74011818	SHEILD, SIDE (WARMING DRWR)	10	1
16	74005546	SPACER, RUBBER	10	2
17	7103P139-60	NUT, LOCK	10	2
18	Y700502	SCREW	10	6

*Color Code (-)=Not Shown #=Series, Serial Prefix or Run No., N=Not Available

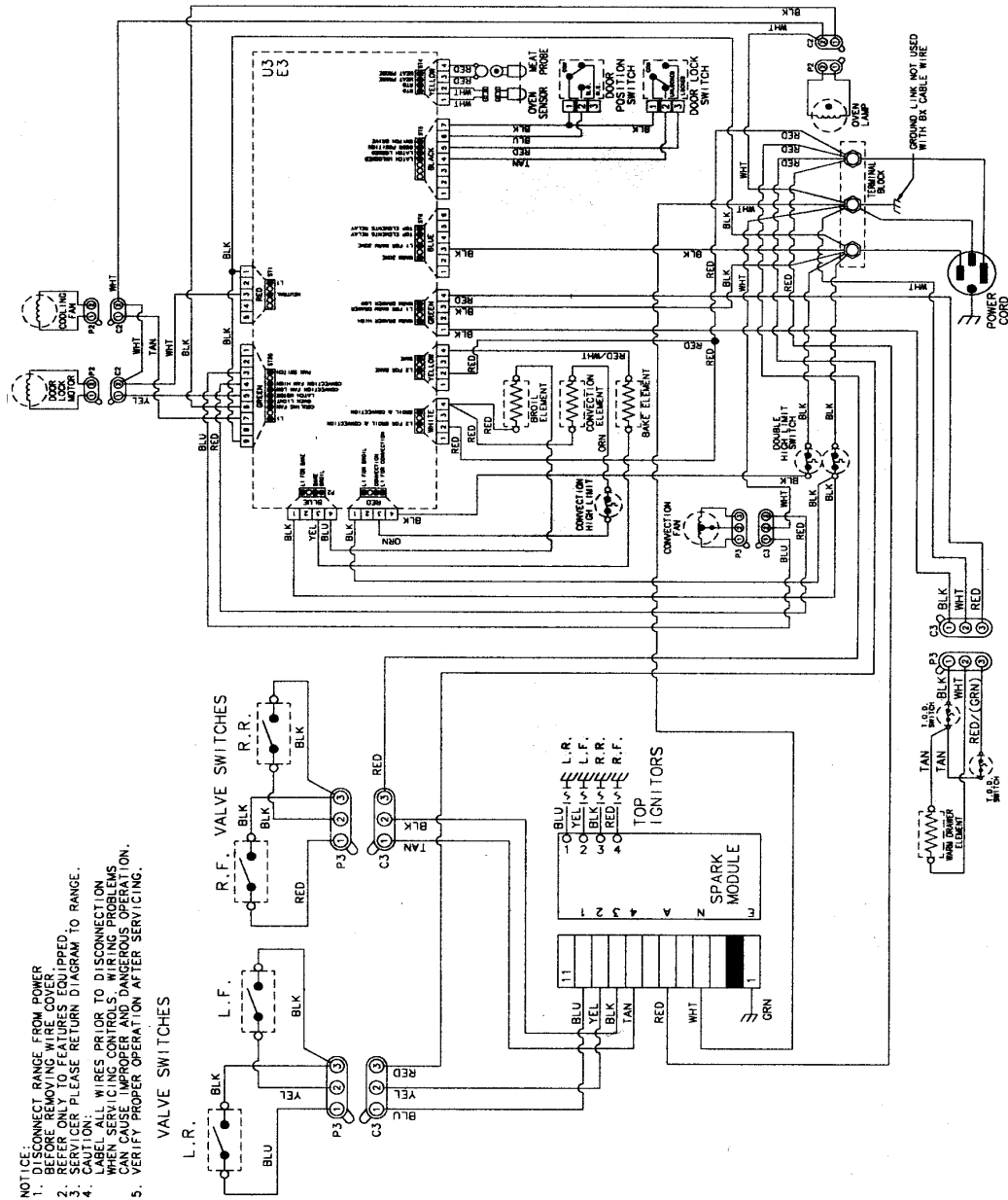
Section: SUPPLEMENTAL INFORMATION

No.	Part No.	Description	Series	Qty
-	8113P525-60	MANUAL, USE & CARE	10	1
-	74011726	HARNESS, MAIN	10	1
-	74011530	HARNESS, SENSOR	10	1
-	74011646	HARNESS, SPARK (REIGNITION)	10	1
-	74011619	HARNESS, WARMING DRAWER	10	1
-	74011514	CONVERSION KIT (LP)	10	1
-	K71FILLB	KIT, EXTRUSION FILLER (BLK)	10	1
-	UXA1100AAB	KIT, SIDE PANEL (BLK)	10	1

*Color Code (-)=Not Shown #=Series, Serial Prefix or Run No., N=Not Available

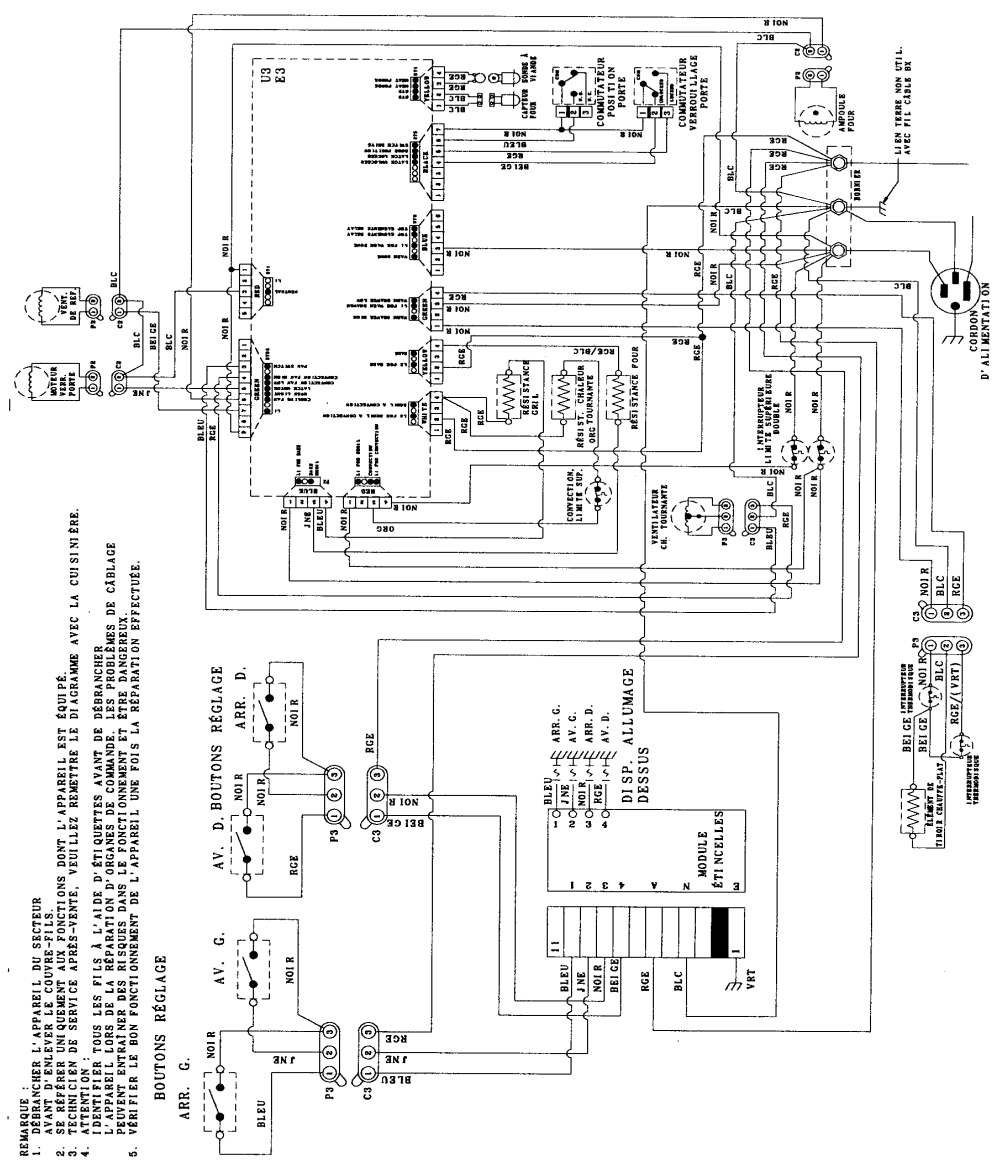
Section: WIRING INFORMATION

Model: JDS8850BDB



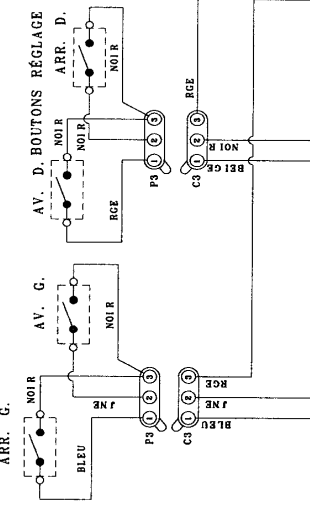
Section: WIRING INFORMATION (FRENCH)

Model: JDS8850BDB



- REMARQUE :
1. DÉBRANCHER L'APPAREIL DU SECTEUR AVANT D'ÉLEVER LE COUVERC-FILS.
 2. L'ÉLECTRICIEN DOIT ÊTRE EN POSSESSION D'UN PERMIS DE TRAVAIL EN ÉLECTRICITÉ.
 3. TECHNICIEN DE SERVICE APRÈS-VENTE, VEUILLEZ RÉMETTRE LE DIAGRAMME AVEC LA CUISINIÈRE.
 4. ATTENTION : IDENTIFIER TOUTS LES FLS À L'AIDE D'ÉTIQUETTES AVANT DE DÉBRANCHER LES CÂBLES. LES ÉTIQUETTES DOIVENT ÊTRE COLÉES EN PRÉSENCE D'UN ÉLECTRICIEN QUALIFIÉ. LES ÉTIQUETTES PEUVENT ÊTRE ENLEVÉES DANS DES CAS PARTICULIERS, MAIS SEULEMENT SI LE BON FONCTIONNEMENT DE L'APPAREIL A ÉTÉ VÉRIFIÉ APRÈS LA RÉPARATION EFFECTUÉE.
 5. VÉRIFIER LE BON FONCTIONNEMENT DE L'APPAREIL UNE FOIS LA RÉPARATION EFFECTUÉE.

BOUTONS RÉGLAGE



Section: WIRING INFORMATION (FRENCH)

No.	Part No.	Description	Series Qty
-	15003901	WIRING INFORMATION (FRENCH)	10 1

*Color Code (-)=Not Shown #=Series, Serial Prefix or Run No., N=Not Available

