

# Repair Parts List

MODEL NUMBER

JGS8750BDB

## RANGE

When requesting service or ordering parts, always provide the following information:

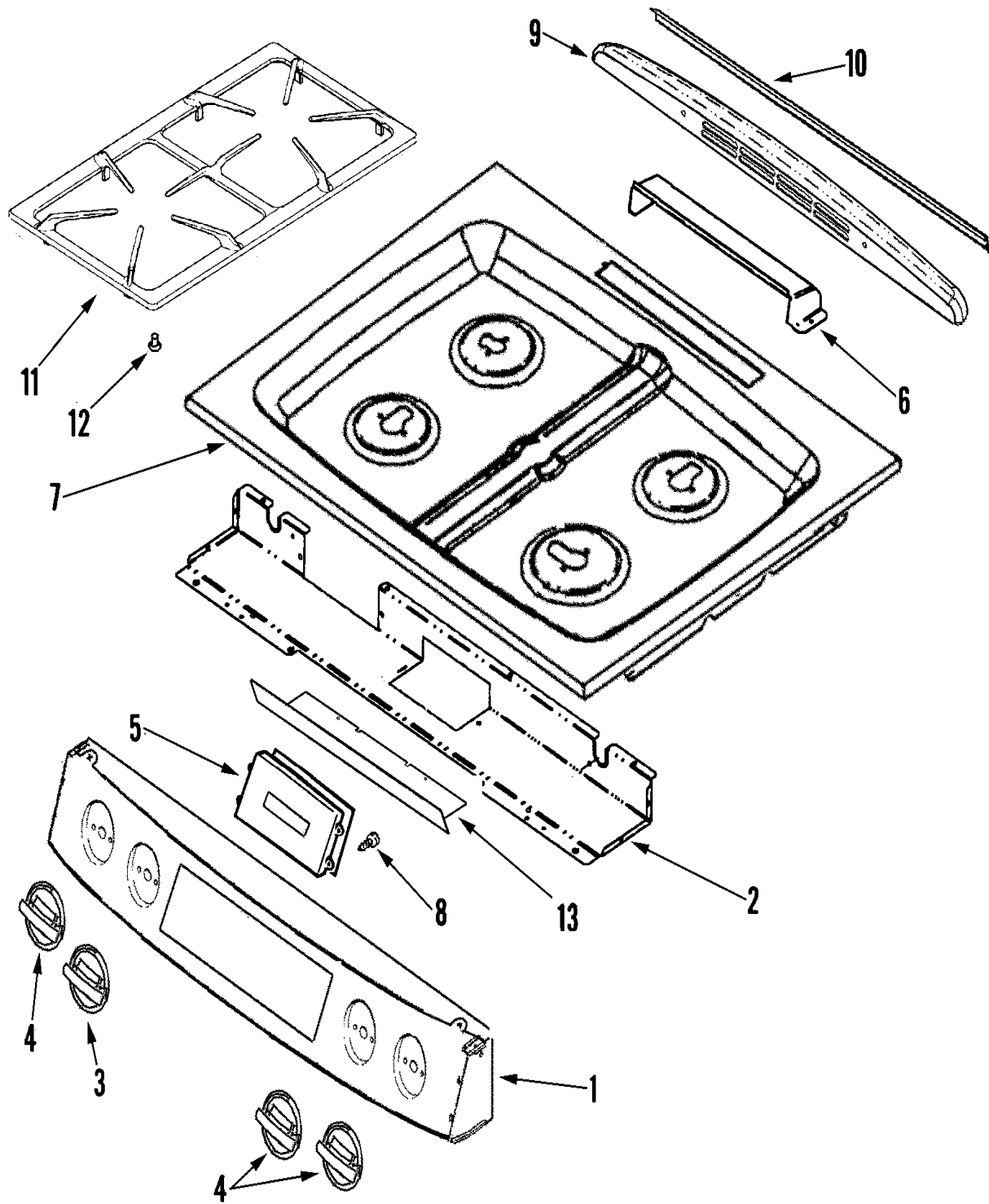
- Product Type
- Part Number
- Model Number
- Part Description

**MAYTAG**®

©2005 Maytag Services

Section: CONTROL PANEL/TOP ASSEMBLY

Model: JGS8750BDB



C15-634

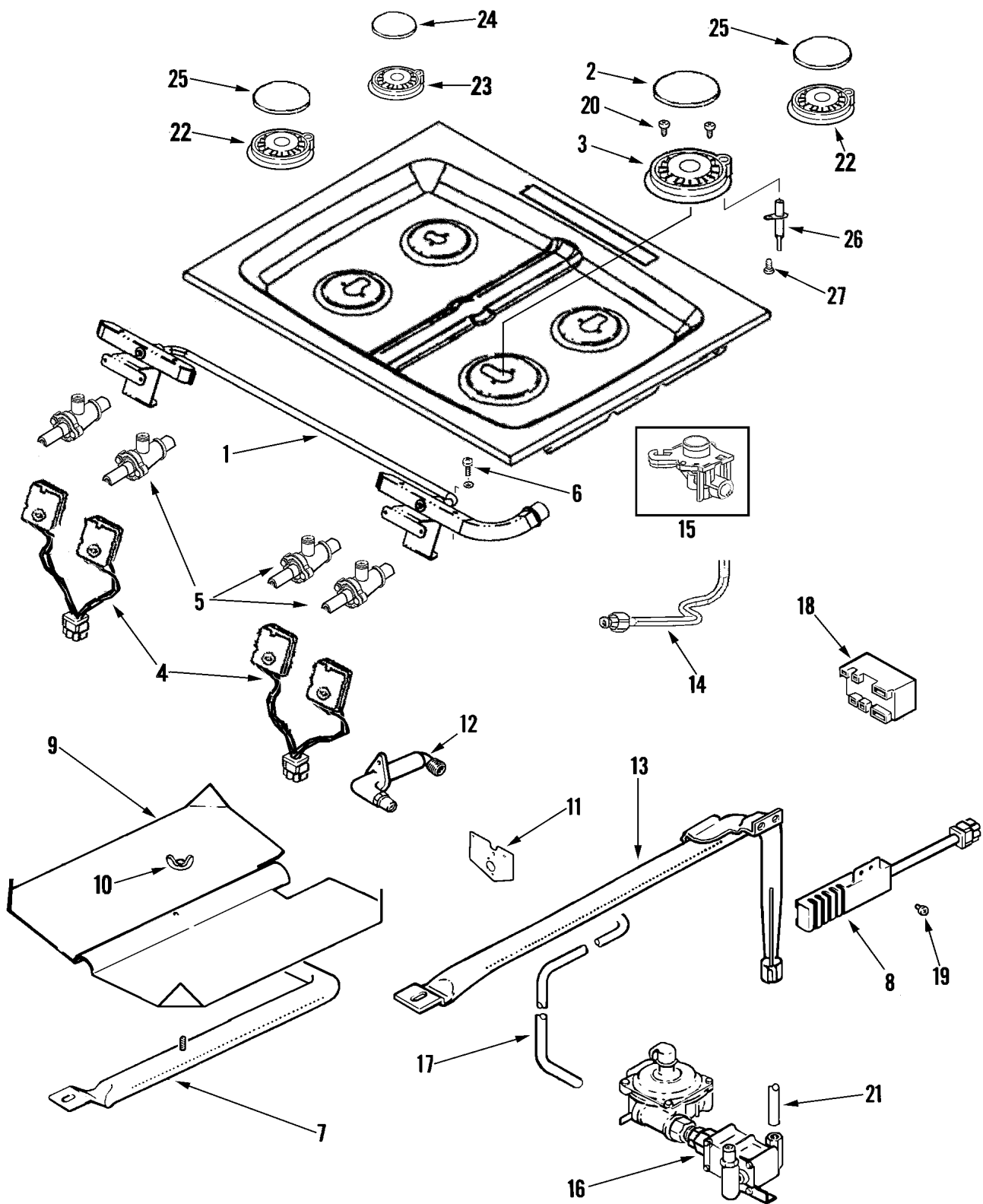
**Section: CONTROL PANEL/TOP ASSEMBLY**

| No. | Part No.    | Description                                     | Series | Qty |
|-----|-------------|---|--------|-----|
| 1   | 74011707    | CONTROL PANEL/SWITCH ASY (BLK)                  | 10     | 1   |
| 2   | 74011761    | SUPPORT, CONTROL PANEL                          | 10     | 1   |
| 3   | 74011664    | KNOB, BURNER (SMR) Note: KNOB, BURNER (SMR)(LR) | 10     | 1   |
| 4   | 74011666    | KNOB, BURNER Note: KNOB, BURNER (LF/RF/RR)      | 10     | 3   |
| 5   | 74011720    | CONTROL   | 10     | 1   |
| 6   | 3601F221-45 | BAFFLE, VENT COVER                              | 10     | 1   |
| 7   | 74011699    | TOP ASY (BLK)                                   | 10     | 1   |
| 8   | 74004005    | SCREW, 6-32 X 5/16"                             | 10     | 4   |
| 9   | 74011826    | COVER, VENT (BLK)                               | 10     | 1   |
| 10  | 7201P061-60 | GASKET  | 10     | 1   |
| 11  | 74011706    | GRATE (BLK)                                     | 10     | 2   |
| -   | M0275597    | SEALER, RTV CLEAR                               | 10     | 1   |
| 12  | 74007356    | BUMPER, GRATE BOTTOM                            | 10     | 4   |
| 13  | 74011825    | INSULATOR, SHIELD                               | 10     | 1   |

\*Color Code (-)=Not Shown #=Series, Serial Prefix or Run No., N=Not Available

Section: GAS CONTROLS

Model: JGS8750BDB



C13-284

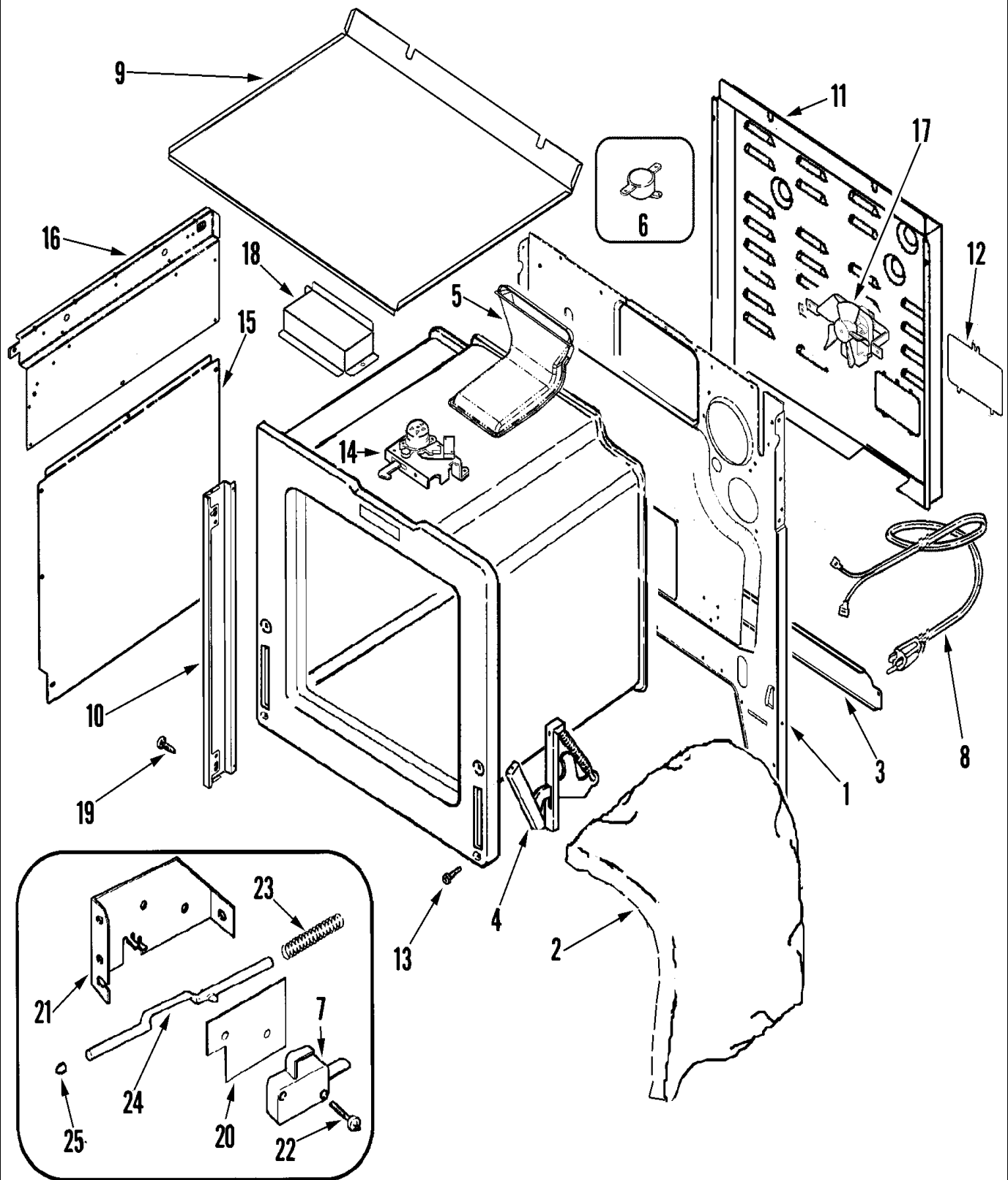
## Section: GAS CONTROLS

| No. | Part No.    | Description   | Series | Qty |
|-----|-------------|---|--------|-----|
| 1   | 74011659    | MANIFOLD PIPE ASY   | 10     | 1   |
| 2   | 74007750    | CAP, BURNER (EX-LRG/BLK)                                  | 10     | 1   |
| 3   | 74007736    | BURNER ASSEMBLY (X-LRG) Note: BASE, BURNER (RF)           | 10     | 1   |
| 4   | 74011647    | SWITCH/HARNESS ASY (LT)                                   | 10     | 1   |
| 4   | 74011648    | SWITCH/HARNESS ASY (RT)                                   | 10     | 1   |
| 5   | 74009453    | VALVE, 16K (MUELLER) Note: VALVE, BURNER (RF)             | 10     | 1   |
| 5   | 74009452    | VALVE, 9K (MUELLER) Note: VALVE, BURNER (LF/RR)           | 10     | 2   |
| 5   | 74009451    | VALVE, 5K (MUELLER) Note: VALVE, BURNER (LR)              | 10     | 1   |
| 6   | 74009416    | SCREW   | 10     | 4   |
| 7   | 74004076    | BURNER, BROIL   | 10     | 1   |
| 8   | 74007498    | IGNITER, OVEN --W   | 10     | 2   |
| 9   | 74009231    | BAFFLE, BROIL BURNER                                      | 10     | 1   |
| 10  | 7103P030-60 | NUT, WING   | 10     | 1   |
| 11  | 74004307    | PLATE, BROIL FITTING                                      | 10     | 1   |
| 12  | 74010901    | FITTING, BROIL  | 10     | 1   |
| 13  | 74003960    | BURNER, BAKE  | 10     | 1   |
| -   | 3807F446-45 | SUPPORT, BURNER   | 10     | 1   |
| 14  | 74011653    | TUBING, BURNER (RF)                                       | 10     | 1   |
| 14  | 74011705    | TUBING, BURNER (LF)                                       | 10     | 1   |
| 14  | 74011703    | TUBING, BURNER (RR)                                       | 10     | 1   |
| 14  | 74011704    | TUBING, BURNER (LR)                                       | 10     | 1   |
| 15  | 74009553    | HOLDER, ORIFICE (5K) Note: HOLDER, ORIFICE (5K-LR)        | 10     | 1   |
| 15  | 74007764    | HOLDER, ORIFICE (9.2K) Note: HOLDER, ORIFICE (9.2K-LF/RR) | 10     | 2   |
| 15  | 74007766    | HOLDER, ORIFICE (15K) Note: HOLDER, ORIFICE (16K-RF)      | 10     | 1   |
| 16  | Y74010900   | OVEN VALVE/REG ASSEMBLY                                   | 10     | 1   |
| 17  | 74004408    | TUBING (3/8")   | 10     | 1   |
| 18  | 71002783    | MODULE, SPARK   | 10     | 1   |
| 19  | 7101P282-60 | SCREW (10-24X5/16-NI)                                     | 10     | 4   |
| 20  | 74007410    | SCREW, SELF TAPPING----S                                  | 10     | 10  |
| 21  | 74011658    | TUBING, SUPPLY  | 10     | 1   |
| 22  | 74007735    | BURNER ASSEMBLY (LRG) Note: BASE, BURNER (LF/RR)          | 10     | 2   |
| 23  | 74007734    | BURNER ASSEMBLY (SMALL) Note: BASE, BURNER (RR)           | 10     | 1   |
| 24  | 74007748    | CAP, BURNER (SMR-BLK)                                     | 10     | 1   |
| 25  | 74007749    | CAP, BURNER (MED-BLK)                                     | 10     | 1   |
| 26  | 74009336    | IGNITOR   | 10     | 4   |
| 27  | 74009337    | SCREW, IGNITOR  | 10     | 4   |

\*Color Code (-)=Not Shown #=Series, Serial Prefix or Run No., N=Not Available

Section: BODY

Model: JGS8750BDB



C14-924

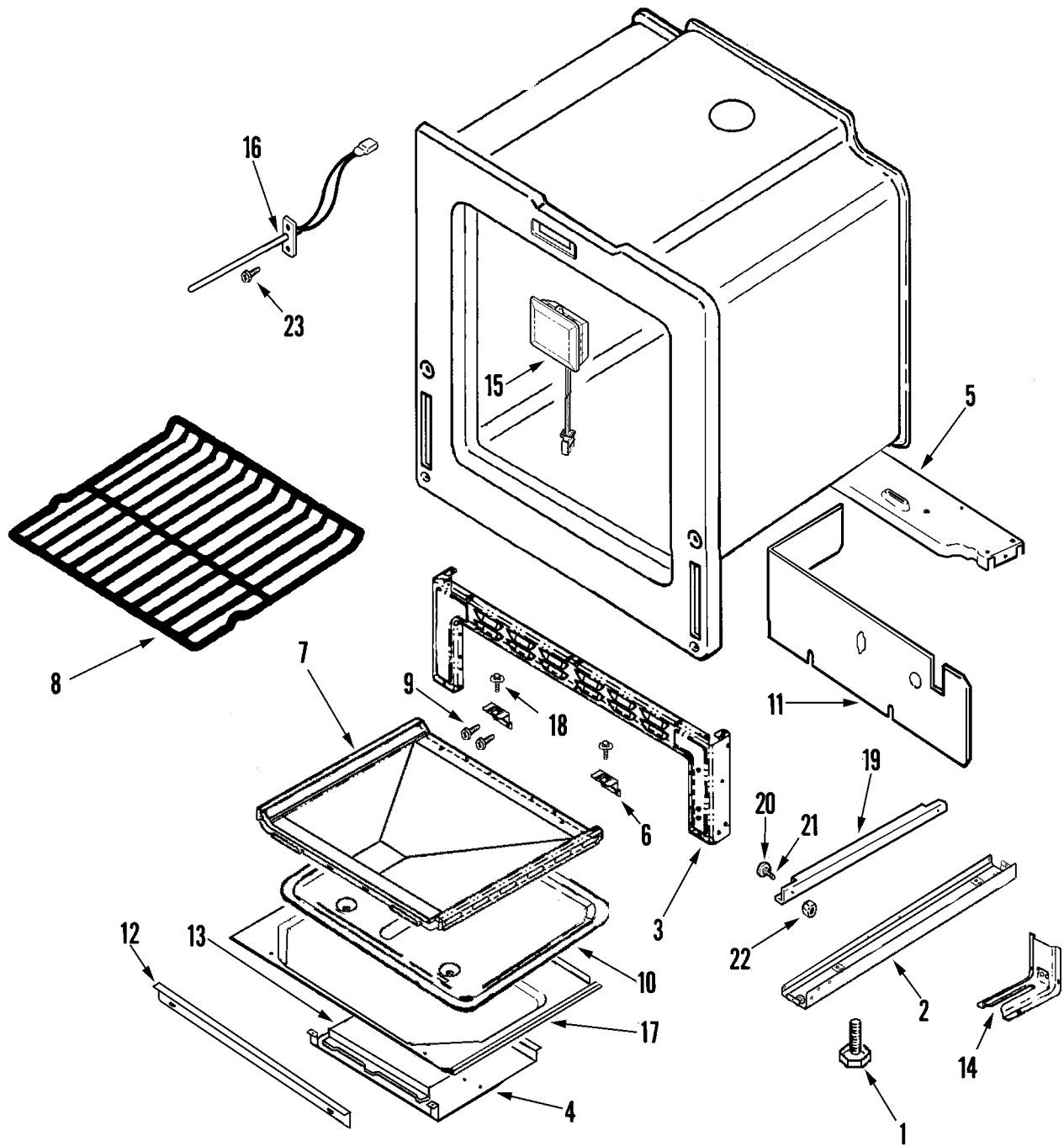
**Section: BODY**

| No. | Part No.    | Description              | Series | Qty |
|-----|-------------|--------------------------|--------|-----|
| 1   | 74011465    | BACK, MAIN               | 10     | 1   |
| 2   | 74010987    | INSULATION, WRAPPER      | 10     | 1   |
| 3   | 74010815    | EXTENSION, MAIN BACK     | 10     | 1   |
| 4   | 74011475    | HINGE, DOOR              | 10     | 2   |
| 5   | 74010959    | VENT                     | 10     | 1   |
| 6   | 74010904    | SWITCH, LIMIT            | 10     | 1   |
| 7   | 74008263    | SWITCH, DOOR LOCK        | 10     | 1   |
| 8   | 74004295    | CORD, POWER              | 10     | 1   |
| 9   | 74011857    | BOTTOM, BURNER BOX       | 10     | 1   |
| 10  | 74010831    | TRIM, SIDE (BLK)         | 10     | 2   |
| 11  | 74006096    | COVER, WIRE (REAR)       | 10     | 1   |
| 12  | 74005264    | COVER, TERMINAL BLOCK    | 10     | 1   |
| 13  | 7101P112-60 | SCREW                    | 10     | 4   |
| 14  | 74010819    | LATCH ASY                | 10     | 1   |
| 15  | 74010905    | SHEILD, LOWER SIDE       | 10     | 2   |
| 16  | 74010822    | PANEL, SHIELD (RT)       | 10     | 1   |
| 16  | 74010821    | PANEL, SHIELD (LT)       | 10     | 1   |
| 17  | 74010823    | FAN, COOLING             | 10     | 1   |
| 18  | 74010845    | COVER, DOOR LATCH        | 10     | 1   |
| 19  | 74003976    | SCREW, SHOULDER          | 10     | 4   |
| 20  | 74008264    | INSULATOR                | 10     | 1   |
| 21  | 74001632    | BRACKET, SWITCH ACTUATOR | 10     | 1   |
| 22  | 22002368    | SCREW---NA               | 10     | 2   |
| 23  | 74001629    | SPRING, DOOR SWITCH      | 10     | 1   |
| 24  | 74003562    | ROD, DOOR LIGHT SWITCH   | 10     | 1   |
| 25  | 74001631    | BUMPER, ROD              | 10     | 1   |

\*Color Code (-)=Not Shown #=Series, Serial Prefix or Run No., N=Not Available

Section: OVEN/BASE

Model: JGS8750BDB



C12-577



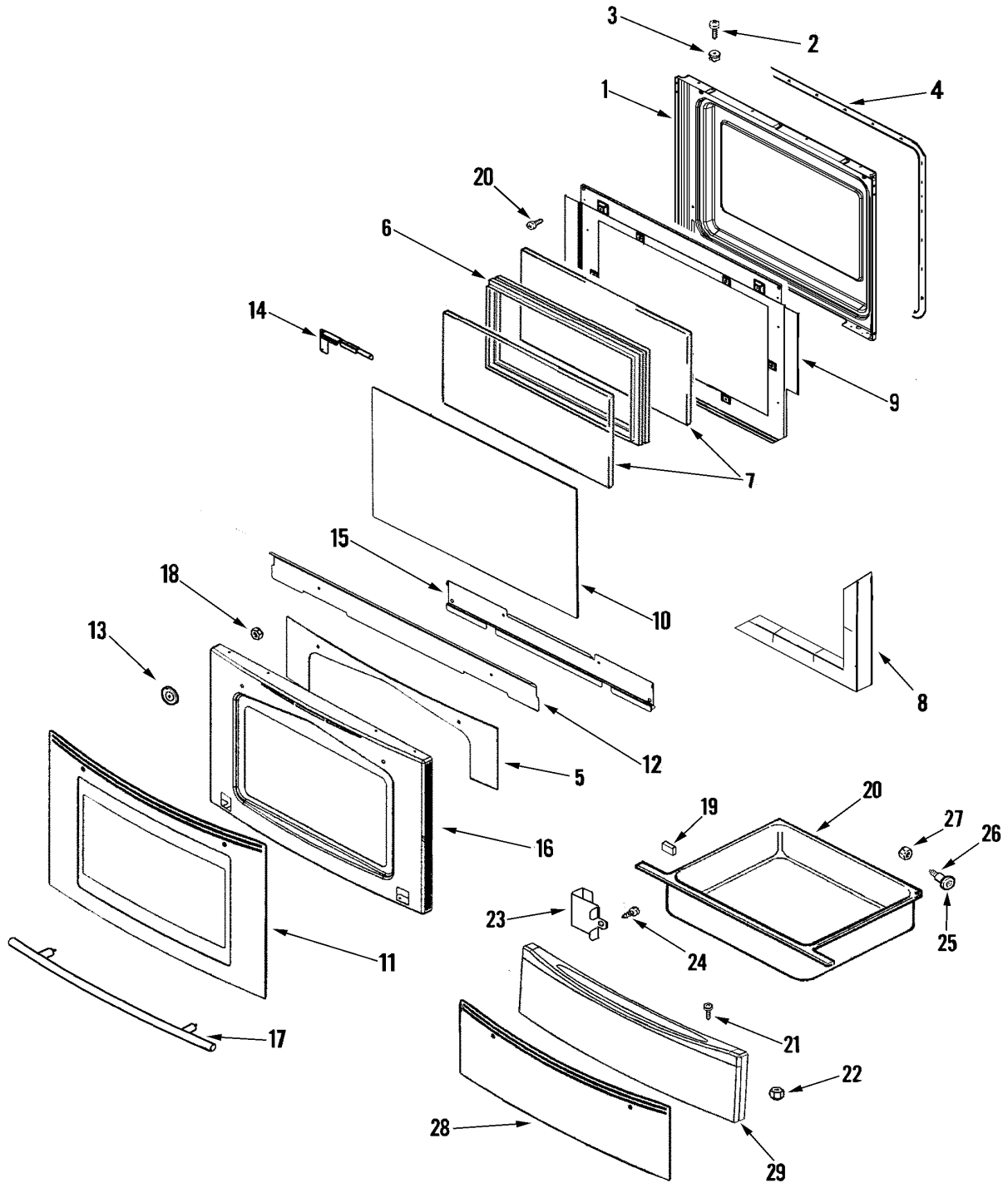
**Section: OVEN/BASE**

| No. | Part No.    | Description                  | Series | Qty |
|-----|-------------|------------------------------|--------|-----|
| 1   | 74010805    | SCREW, LEVELING LEG          | 10     | 4   |
| 2   | 74010899    | BOTTOM, PEDESTAL             | 10     | 2   |
| 3   | 74010882    | PEDESTAL, FRONT              | 10     | 2   |
| 4   | 74006591    | SHIELD, WARMING DRAWER       | 10     | 1   |
| 5   | 74007129    | SUPPORT, VALVE REGULATOR     | 10     | 1   |
| 6   | 74010812    | SUPPORT, OVEN BOTTOM         | 10     | 2   |
| 7   | 74010948    | BOTTOM, OVEN                 | 10     | 1   |
| 8   | 74001757    | RACK, OVEN                   | 10     | 2   |
| 9   | 7101P124-60 | SCREW W/WASHER               | 10     | 12  |
| 10  | 74004465    | PAN, BAKE BURNER             | 10     | 1   |
| 11  | 74005465    | COVER, VALVE/REGULATOR       | 10     | 1   |
| 12  | 74001219    | BAFFLE, OVEN FRONT           | 10     | 1   |
| 13  | 74006574    | SHIELD, HEAT POUCH           | 10     | 1   |
| 14  | 74005564    | BRACKET, ANTI-TIP            | 10     | 1   |
| 15  | 74011220    | LIGHT ASY, HALOGEN           | 10     | 1   |
| 16  | 74004944    | SENSOR, OVEN (SHORT)         | 10     | 1   |
| -   | 74010986    | INSULATION, OVEN BOTTOM      | 10     | 1   |
| 17  | 74009480    | RETAINER, BOTTOM INSULATION  | 10     | 1   |
| 18  | 74003976    | SCREW, SHOULDER              | 10     | 2   |
| 19  | 74003565    | RUNNER, DRAWER               | 10     | 2   |
| 20  | 74004078    | ROLLER, DRAWER               | 10     | 2   |
| 21  | 74005231    | SHAFT, STORAGE DRAWER ROLLER | 10     | 2   |
| 22  | 74005230    | NUT, LOCK (8-32)             | 10     | 2   |
| 23  | 7101P124-60 | SCREW W/WASHER               | 10     | 2   |

\*Color Code (-)=Not Shown #=Series, Serial Prefix or Run No., N=Not Available

Section: DOOR/DRAWER (SER PRE 10)

Model: JGS8750BDB



C11-939

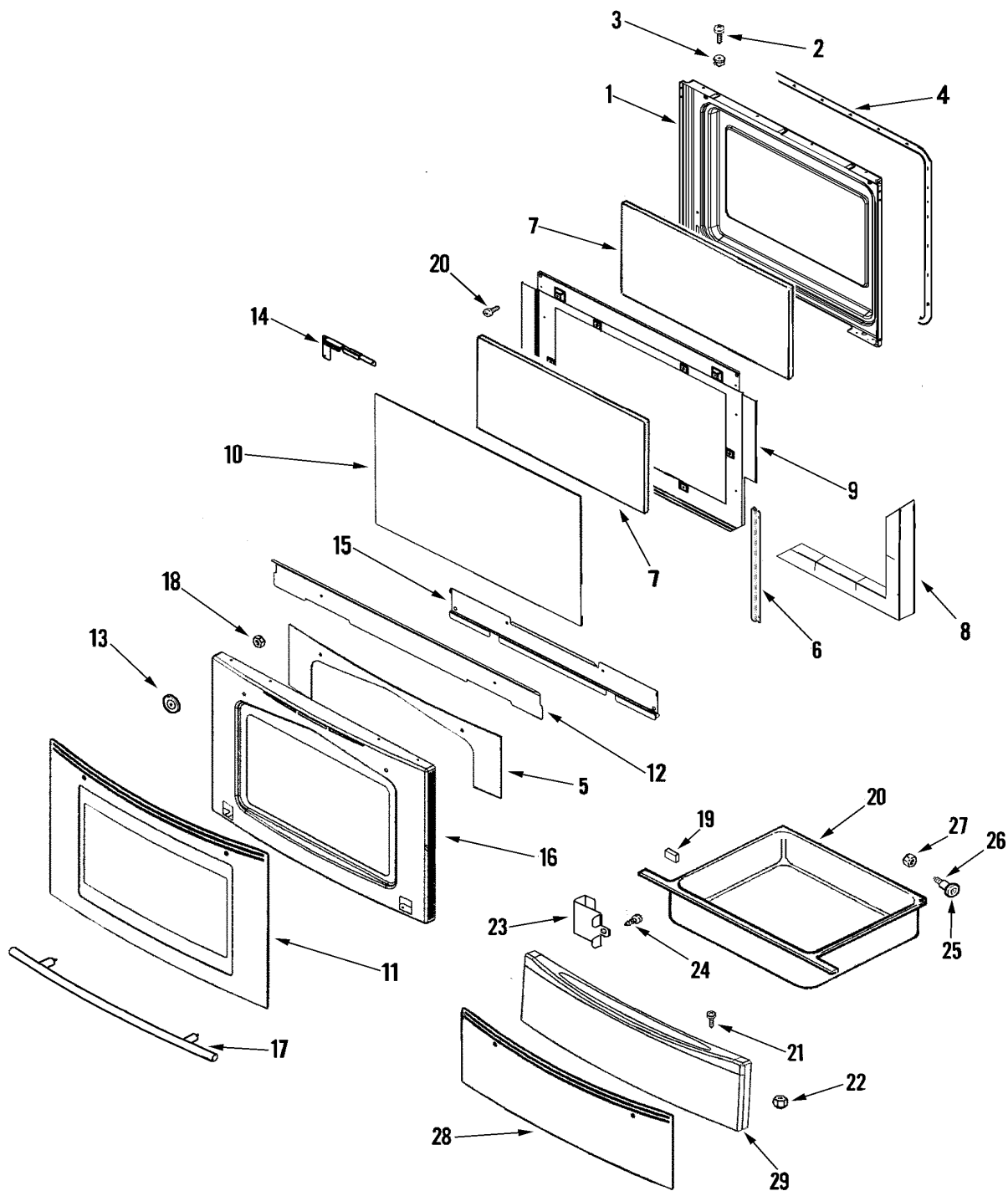
**Section: DOOR/DRAWER (SER PRE 10)**

| No. | Part No.    | Description                  | Series | Qty |
|-----|-------------|------------------------------|--------|-----|
| 1   | 74003642    | LINING, DOOR                 | 10     | 1   |
| 2   | 74009537    | SCREW (BLK)                  | 10     | 4   |
| 3   | 74001574    | NUT, SNAP (ROUND-BLK)        | 10     | 2   |
| 4   | 7201P046-60 | GASKET, DOOR                 | 10     | 1   |
| 5   | 74011509    | INSULATION, DOOR             | 10     | 2   |
| 6   | 74003644    | FRAME, GLASS                 | 10     | 1   |
| 7   | 74003645    | GLASS, INNER                 | 10     | 2   |
| 8   | 74003647    | INSULATION, OVEN DOOR        | 10     | 2   |
| 9   | 74011339    | BAFFLE, OVEN DOOR            | 10     | 1   |
| 10  | 74010231    | GLASS, DOOR (INNER/COATED)   | 10     | 1   |
| 11  | 74011511    | GLASS ASY, DOOR (BLK)        | 10     | 1   |
| 12  | 74011049    | SHIELD, DOOR                 | 10     | 1   |
| 13  | 74009194    | WASHER, HANDLE               | 10     | 2   |
| 14  | 74011504    | RETAINER, GLASS (RT)         | 10     | 1   |
| 14  | 74011503    | RETAINER, GLASS (LT)         | 10     | 1   |
| 15  | 74007215    | RETAINER, DOOR GLASS         | 10     | 1   |
| 16  | 74011507    | FRAME, DOOR (BLK)            | 10     | 1   |
| 17  | 74008625    | HANDLE, DOOR (SS)            | 10     | 1   |
| 18  | 311426      | NUT, WASHERED LOCK           | 10     | 2   |
| 19  | 74005546    | SPACER, RUBBER               | 10     | 2   |
| 20  | 74008333    | DRAWER, STORAGE              | 10     | 1   |
| 21  | 74004310    | SCREW, PANEL                 | 10     | 2   |
| 22  | 74005230    | NUT, LOCK (8-32)             | 10     | 2   |
| 23  | 74010896    | BRACKET, DRAWER              | 10     | 2   |
| 24  | 74002979    | SCREW, 8 X 1/2               | 10     | 2   |
| 25  | 74004078    | ROLLER, DRAWER               | 10     | 2   |
| 26  | 74005231    | SHAFT, STORAGE DRAWER ROLLER | 10     | 2   |
| 27  | 7103P082-60 | NUT                          | 10     | 2   |
| - N | 7101P338-60 | SCREW (8BX3/8-NI)            | 10     | 2   |
| 28  | 74011543    | GLASS ASY, DRAWER (BLK)      | 10     | 1   |
| 29  | 74011641    | PANEL ASY, DRAWER (BLK)      | 10     | 1   |

\*Color Code (-)=Not Shown #=Series, Serial Prefix or Run No., N=Not Available

Section: DOOR/DRAWER (SER PRE 11)

Model: JGS8750BDB



C11-940

## Section: DOOR/DRAWER (SER PRE 11)

| No. | Part No.    | Description                  | Series | Qty |
|-----|-------------|------------------------------|--------|-----|
| 1   | 74011456    | LINING, DOOR                 | 11     | 1   |
| 2   | 74009537    | SCREW (BLK)                  | 11     | 4   |
| 3   | 74001574    | NUT, SNAP (ROUND-BLK)        | 11     | 2   |
| 4   | 7201P046-60 | GASKET, DOOR                 | 11     | 1   |
| 5   | 74011509    | INSULATION, DOOR             | 11     | 2   |
| 6   | 74011458    | BRACKET, INNER GLASS         | 11     | 2   |
| 7   | 74003645    | GLASS, INNER                 | 11     | 2   |
| 8   | 74003647    | INSULATION, OVEN DOOR        | 11     | 2   |
| 9   | 74011457    | BAFFLE, OVEN DOOR            | 11     | 1   |
| 10  | 74010231    | GLASS, DOOR (INNER/COATED)   | 11     | 1   |
| 11  | 74011511    | GLASS ASY, DOOR (BLK)        | 11     | 1   |
| 12  | 74011049    | SHIELD, DOOR                 | 11     | 1   |
| 13  | 74009194    | WASHER, HANDLE               | 11     | 2   |
| 14  | 74011463    | RETAINER, GLASS (RT)         | 11     | 1   |
| 14  | 74011797    | RETAINER, GLASS (LT)         | 11     | 1   |
| 15  | 74011464    | RETAINER, GLASS (LWR)        | 11     | 1   |
| 16  | 74011507    | FRAME, DOOR (BLK)            | 11     | 1   |
| 17  | 74008625    | HANDLE, DOOR (SS)            | 11     | 1   |
| 18  | 311426      | NUT, WASHERED LOCK           | 11     | 2   |
| 19  | 74005546    | SPACER, RUBBER               | 11     | 2   |
| 20  | 74008333    | DRAWER, STORAGE              | 11     | 1   |
| 21  | 74004310    | SCREW, PANEL                 | 11     | 2   |
| 22  | 74005230    | NUT, LOCK (8-32)             | 11     | 2   |
| 23  | 74010896    | BRACKET, DRAWER              | 11     | 2   |
| 24  | 74002979    | SCREW, 8 X 1/2               | 11     | 2   |
| 25  | 74004078    | ROLLER, DRAWER               | 11     | 2   |
| 26  | 74005231    | SHAFT, STORAGE DRAWER ROLLER | 11     | 2   |
| 27  | 7103P082-60 | NUT                          | 11     | 2   |
| 28  | 74011543    | GLASS ASY, DRAWER (BLK)      | 11     | 1   |
| - N | 7101P338-60 | SCREW (8BX3/8-NI)            | 11     | 2   |
| 29  | 74011641    | PANEL ASY, DRAWER (BLK)      | 11     | 1   |

\*Color Code (-)=Not Shown #=Series, Serial Prefix or Run No., N=Not Available

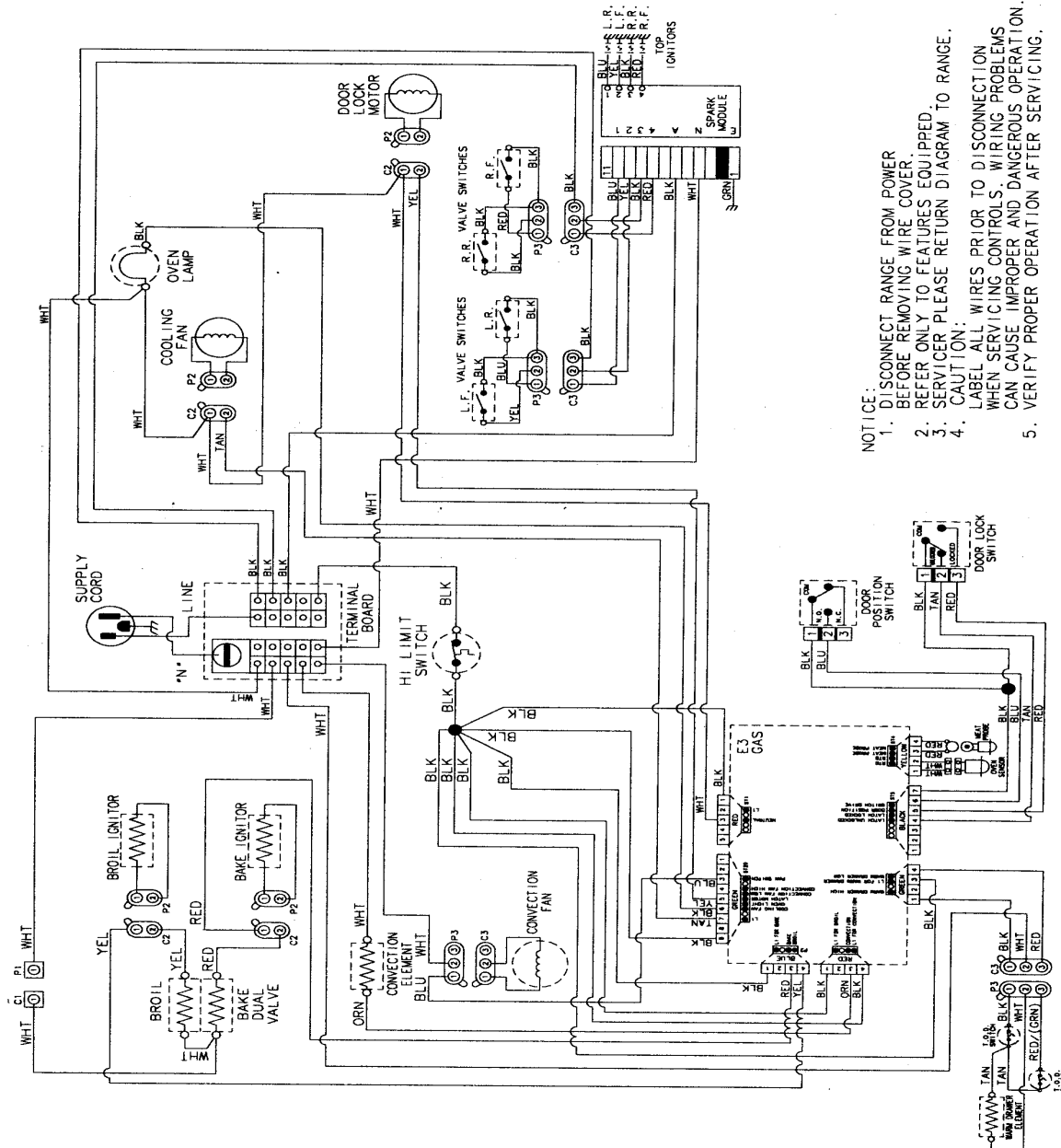
**Section: SUPPLEMENTAL INFORMATION**

| No. | Part No.    | Description                                  | Series | Qty |
|-----|-------------|--|--------|-----|
| -   | 8113P523-60 | MANUAL, USE & CARE                           | 10     | 1   |
| -   | 74011562    | HARNESS, MAIN                                | 10     | 1   |
| -   | 74011499    | HARNESS, SENSOR                              | 10     | 1   |
| -   | 74011646    | HARNESS, SPARK (REIGNITION)                  | 10     | 1   |
| -   | 74011053    | KIT, LP ORIFICE                              | 10     | 1   |
| -   | 12500100    | KIT, BROILER PAN/INSERT--W Note: (ACCESSORY) | 10     | 1   |
| -   | K71FILLB    | KIT, EXTRUSION FILLER (BLK)                  | 10     | 1   |
| -   | UXA1100AAB  | KIT, SIDE PANEL (BLK)                        | 10     | 1   |

\*Color Code (-)=Not Shown #=Series, Serial Prefix or Run No., N=Not Available

# Section: WIRING INFORMATION

Model: JGS8750BDB



**NOTICE:**

1. DISCONNECT RANGE FROM POWER BEFORE REMOVING WIRE COVER.
2. REFER ONLY TO FEATURES EQUIPPED.
3. SERVICER PLEASE RETURN DIAGRAM TO RANGE.
4. CAUTION: LABEL ALL WIRES PRIOR TO DISCONNECTION WHEN SERVICING CONTROLS. WIRING PROBLEMS CAN CAUSE IMPROPER AND DANGEROUS OPERATION.
5. VERIFY PROPER OPERATION AFTER SERVICING.

15003888

