

Repair Parts List

MODEL NUMBER

JGS8850BDB

RANGE

When requesting service or ordering parts, always provide the following information:

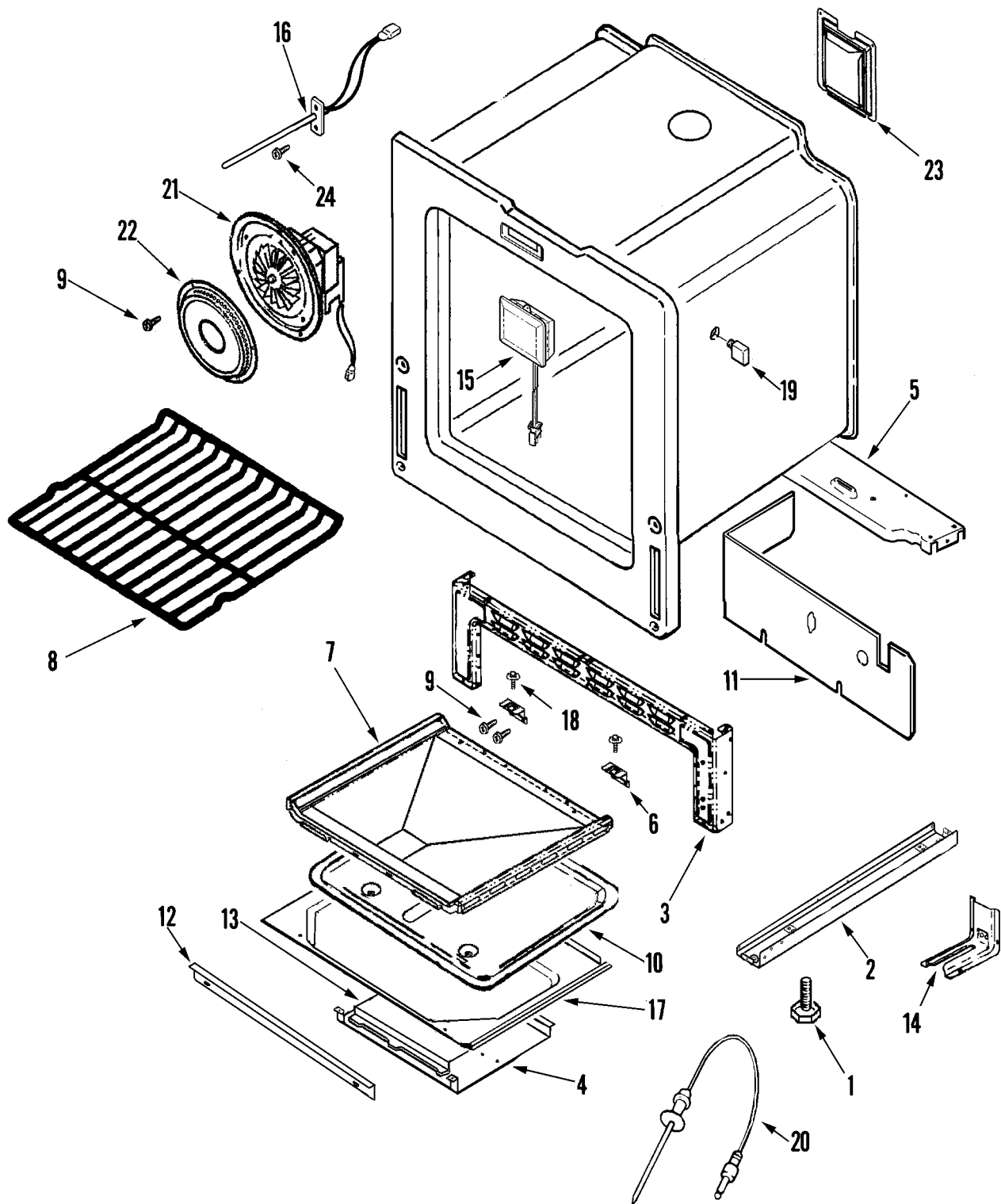
- Product Type
- Part Number
- Model Number
- Part Description

MAYTAG®

©2005 Maytag Services

Section: OVEN/BASE

Model: JGS8850BDB



C12-576

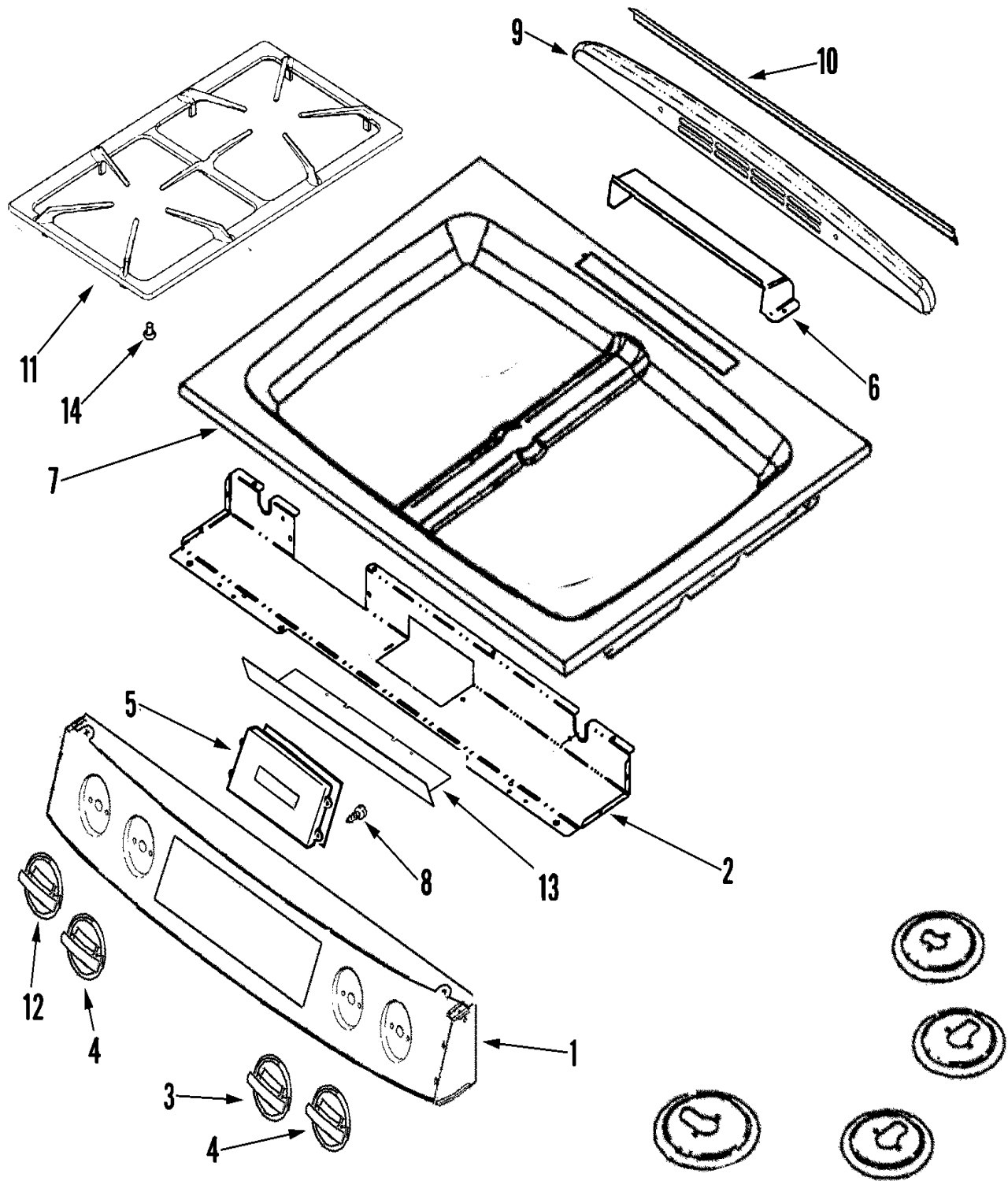
Section: OVEN/BASE

No.	Part No.	Description	Series	Qty
1	74010805	SCREW, LEVELING LEG	10	4
2	74010899	BOTTOM, PEDESTAL	10	2
3	74010882	PEDESTAL, FRONT	10	2
4	74006591	SHIELD, WARMING DRAWER	10	1
5	74007129	SUPPORT, VALVE REGULATOR	10	1
6	74010812	SUPPORT, OVEN BOTTOM	10	2
7	74010948	BOTTOM, OVEN	10	1
8	74001757	RACK, OVEN	10	3
9	7101P124-60	SCREW W/WASHER	10	12
10	74004465	PAN, BAKE BURNER	10	1
11	74006679	COVER, BURNER VALVE	10	1
12	74001219	BAFFLE, OVEN FRONT	10	1
13	74006574	SHIELD, HEAT POUCH	10	1
14	74005564	BRACKET, ANTI-TIP	10	1
15	74011220	LIGHT ASY, HALOGEN	10	1
16	74004944	SENSOR, OVEN (SHORT)	10	1
17	74009480	RETAINER, BOTTOM INSULATION	10	1
-	74010986	INSULATION, OVEN BOTTOM	10	1
18	74003976	SCREW, SHOULDER	10	2
19	74009602	RECEPTACLE, MEAT PROBE	10	1
20	74008469	PROBE, MEAT	10	1
21	74010902	FAN, CONVECTION	10	1
22	74011822	COVER, CONVECTION FAN	10	1
23	74010814	RETAINER, CONV INSULATION	10	1
24	7101P124-60	SCREW W/WASHER	10	6

*Color Code (-)=Not Shown #=Series, Serial Prefix or Run No., N=Not Available

Section: CONTROL PANEL/TOP ASSEMBLY

Model: JGS8850BDB



C15-633

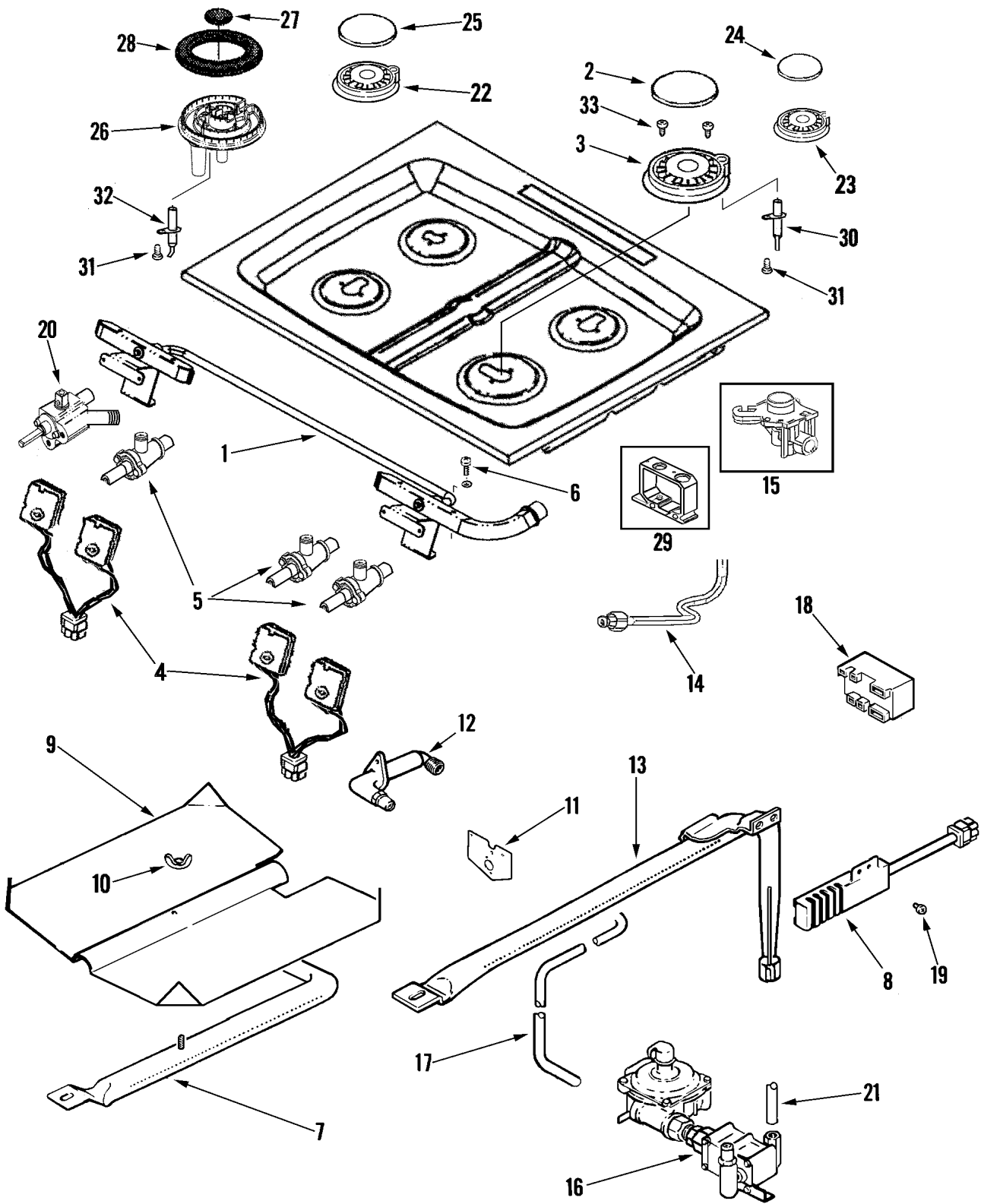
Section: CONTROL PANEL/TOP ASSEMBLY

No.	Part No.	Description	Series	Qty
1	74011660	CONTROL PANEL/SWITCH ASY (BLK)	10	1
2	74011824	SUPPORT, CONTROL PANEL	10	1
3	74011664	KNOB, BURNER (SMR) Note: KNOB, BURNER (SMR)(RR)	10	1
4	74011666	KNOB, BURNER Note: KNOB, BURNER (LF/RF)	10	2
5	74011721	CONTROL	10	1
6	3601F221-45	BAFFLE, VENT COVER	10	1
7	74011601	TOP, MAIN (BLK)	10	1
8	74004005	SCREW, 6-32 X 5/16"	10	4
9	74011826	COVER, VENT (BLK)	10	1
10	7201P061-60	GASKET	10	1
11	74011706	GRATE (BLK)	10	2
12	74011665	KNOB, BURNER (DUAL) Note: KNOB, BURNER (DUAL)(LF)	10	1
13	74011825	INSULATOR, SHIELD	10	1
14	74007356	BUMPER, GRATE BOTTOM	10	4
-	M0275597	SEALER, RTV CLEAR	10	1

*Color Code (-)=Not Shown #=Series, Serial Prefix or Run No., N=Not Available

Section: GAS CONTROLS

Model: JGS8850BDB



C13-283

Section: GAS CONTROLS

No.	Part No.	Description	Series	Qty
1	74011659	MANIFOLD PIPE ASY	10	1
2	74007750	CAP, BURNER (EX-LRG/BLK)	10	1
3	74007736	BURNER ASSEMBLY (X-LRG) Note: BASE, BURNER (RF)	10	1
4	74011648	SWITCH/HARNESS ASY (RT)	10	1
4	74011647	SWITCH/HARNESS ASY (LT)	10	1
5	74009453	VALVE, 16K (MUELLER) Note: VALVE, BURNER (RF)	10	1
5	74009451	VALVE, 5K (MUELLER) Note: VALVE, BURNER (RR)	10	1
5	74009452	VALVE, 9K (MUELLER) Note: VALVE, BURNER (LR)	10	1
6	74009416	SCREW	10	4
7	74004076	BURNER, BROIL	10	1
8	74007498	IGNITER, OVEN --W	10	2
9	74009231	BAFFLE, BROIL BURNER	10	1
10	7103P030-60	NUT, WING	10	1
11	74004307	PLATE, BROIL FITTING	10	1
12	74010901	FITTING, BROIL	10	1
13	74003960	BURNER, BAKE	10	1
-	3807F446-45	SUPPORT, BURNER	10	1
14	74011656	TUBING, DUAL BURNER (INNER)	10	1
14	74011655	TUBING, BURNER (LR)	10	1
14	74011653	TUBING, BURNER (RF)	10	1
14	74011657	TUBING, DUAL BURNER (OUTER)	10	1
14	74011654	TUBING, BURNER (RR)	10	1
15	74007764	HOLDER, ORIFICE (9.2K) Note: HOLDER, ORIFICE (9.2K-LR)	10	1
15	74007766	HOLDER, ORIFICE (15K) Note: HOLDER, ORIFICE (16K-RF)	10	1
15	74009553	HOLDER, ORIFICE (5K) Note: HOLDER, ORIFICE (5K-RR)	10	1
16	Y74010900	OVEN VALVE/REG ASSEMBLY	10	1
17	74004408	TUBING (3/8")	10	1
18	71002783	MODULE, SPARK	10	1
19	7101P282-60	SCREW (10-24X5/16-NI)	10	4
20	74011649	VALVE, BURNER (DUAL)	10	1
21	74011658	TUBING, SUPPLY	10	1
22	74007735	BURNER ASSEMBLY (LRG) Note: BASE, BURNER (LR)	10	1
23	74007734	BURNER ASSEMBLY (SMALL) Note: BASE, BURNER (RR)	10	1
24	74007748	CAP, BURNER (SMR-BLK)	10	1
25	74007749	CAP, BURNER (MED-BLK)	10	1
26	74011652	BURNER ASY (DUAL)	10	1
27	74011650	CAP, DUAL BURNER (BLK/INNER)	10	1
28	74011651	CAP, DUAL BURNER (BLK/OUTER)	10	1
29	74011669	HOLDER, ORIFICE (DUAL BNR)	10	1
30	74009336	IGNITOR	10	3
31	74009337	SCREW, IGNITOR	10	4
32	74011829	IGNITER (DUAL BURNER)	10	1
33	74007410	SCREW, SELF TAPPING----S	10	10

*Color Code (-)=Not Shown #=Series, Serial Prefix or Run No., N=Not Available

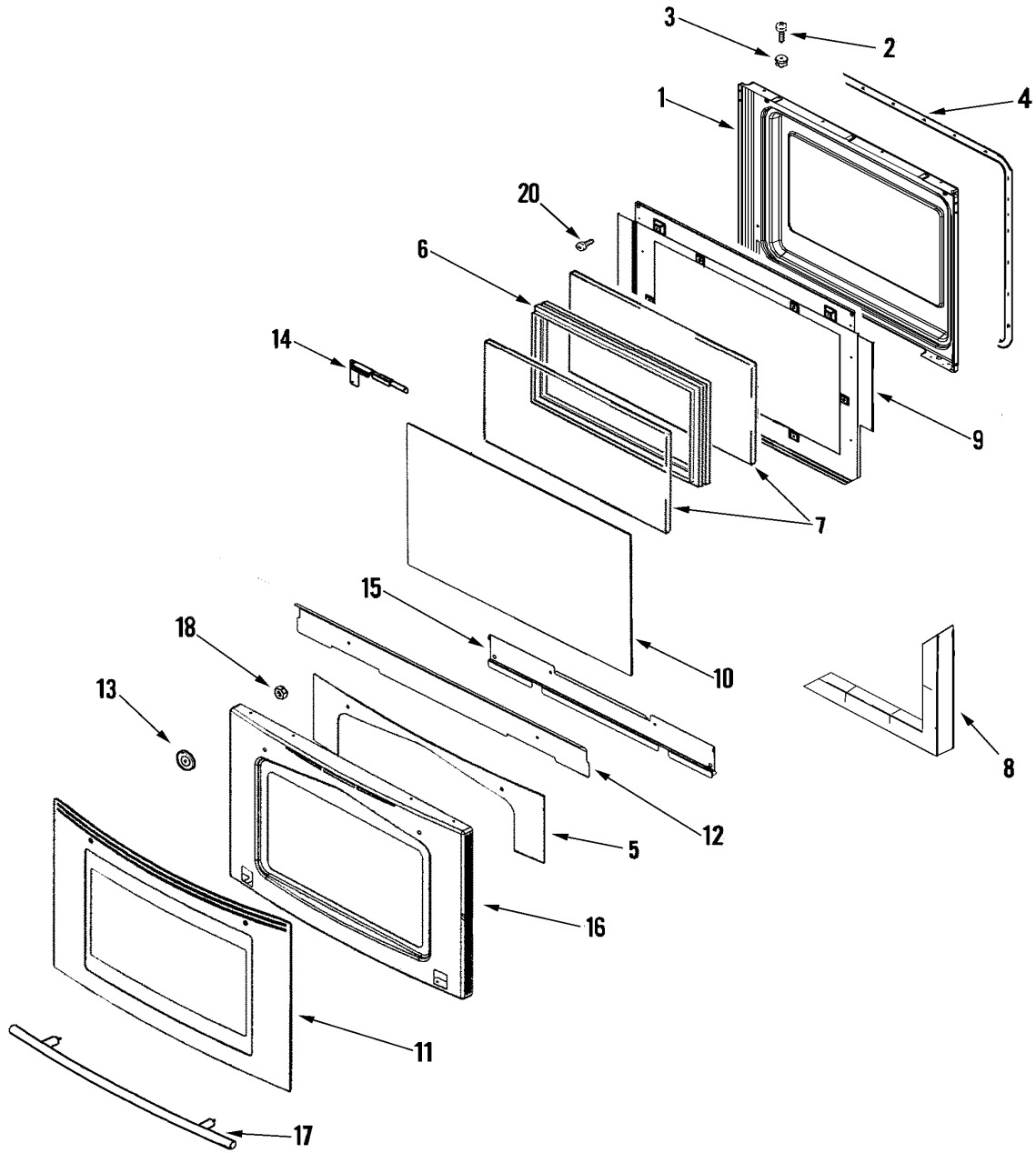
Section: BODY

No.	Part No.	Description	Series	Qty
1	74011465	BACK, MAIN	10	1
2	74010987	INSULATION, WRAPPER	10	1
3	74010815	EXTENSION, MAIN BACK	10	1
4	74011475	HINGE, DOOR	10	2
5	74010959	VENT	10	1
6	74010904	SWITCH, LIMIT	10	1
7	74008263	SWITCH, DOOR LOCK	10	1
8	74004438	CORD, POWER	10	1
9	74011831	BOTTOM, BURNER BOX	10	1
10	74010831	TRIM, SIDE (BLK)	10	2
11	74006096	COVER, WIRE (REAR)	10	1
12	74005264	COVER, TERMINAL BLOCK	10	1
13	7101P112-60	SCREW	10	4
14	74010819	LATCH ASY	10	1
15	74010905	SHEILD, LOWER SIDE	10	2
16	74010822	PANEL, SHIELD (RT)	10	1
16	74010821	PANEL, SHIELD (LT)	10	1
17	74010823	FAN, COOLING	10	1
18	74010845	COVER, DOOR LATCH	10	1
19	74003976	SCREW, SHOULDER	10	4
20	74008264	INSULATOR	10	1
21	74001632	BRACKET, SWITCH ACTUATOR	10	1
22	22002368	SCREW---NA	10	2
23	74001629	SPRING, DOOR SWITCH	10	1
24	74003562	ROD, DOOR LIGHT SWITCH	10	1
25	74001631	BUMPER, ROD	10	1

*Color Code (-)=Not Shown #=Series, Serial Prefix or Run No., N=Not Available

Section: DOOR (SER PRE 10)

Model: JGS8850BDB



C11-937

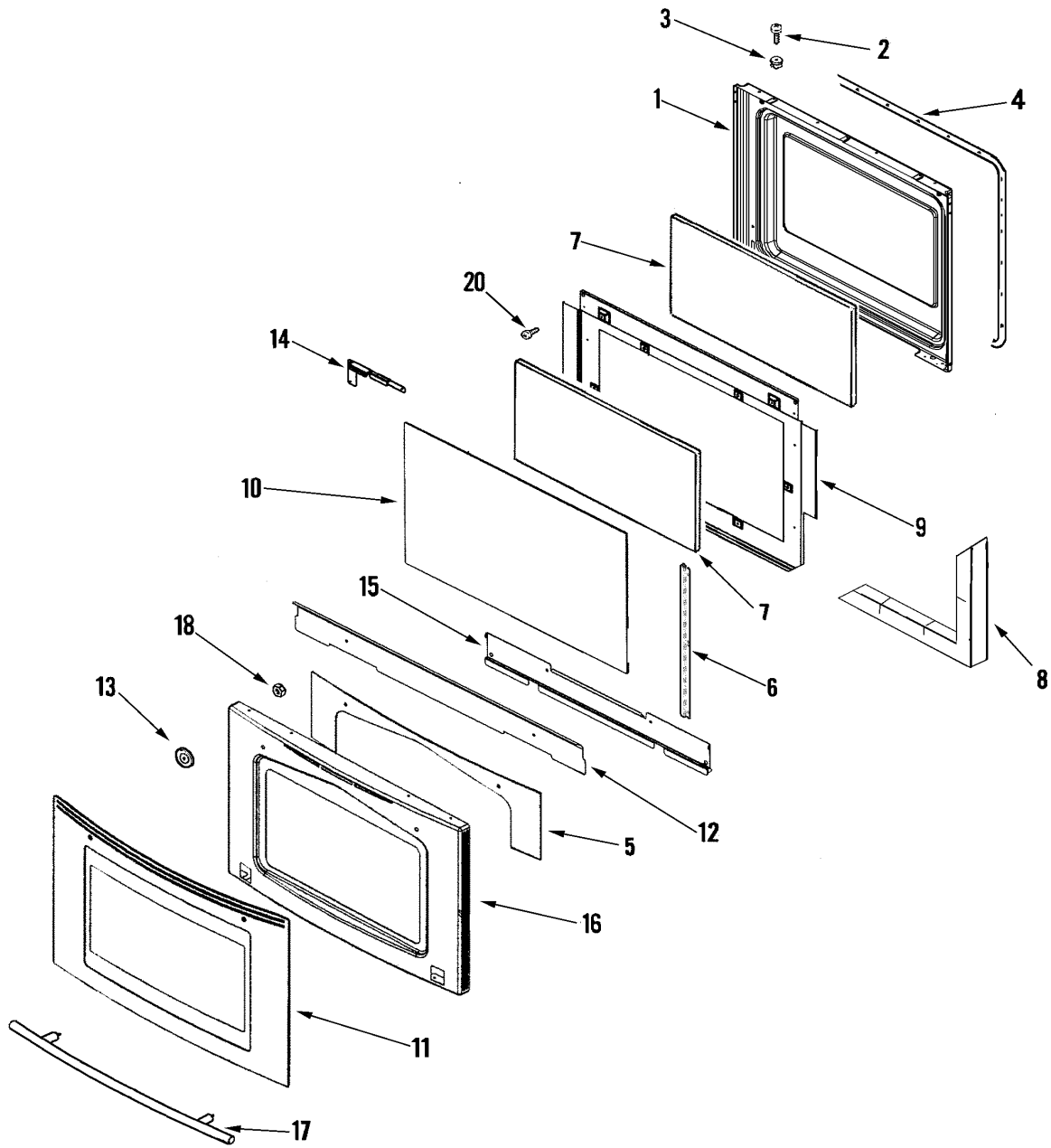
Section: DOOR (SER PRE 10)

No.	Part No.	Description	Series	Qty
1	74003642	LINING, DOOR	10	1
2	74009537	SCREW (BLK)	10	4
3	74001574	NUT, SNAP (ROUND-BLK)	10	2
4	7201P046-60	GASKET, DOOR	10	1
5	74011509	INSULATION, DOOR	10	2
6	74003644	FRAME, GLASS	10	1
7	74003645	GLASS, INNER	10	2
8	74003647	INSULATION, OVEN DOOR	10	2
9	74011339	BAFFLE, OVEN DOOR	10	1
10	74010231	GLASS, DOOR (INNER/COATED)	10	1
11	74011511	GLASS ASY, DOOR (BLK)	10	1
12	74011049	SHIELD, DOOR	10	1
13	74009194	WASHER, HANDLE	10	2
14	74011504	RETAINER, GLASS (RT)	10	1
14	74011503	RETAINER, GLASS (LT)	10	1
15	74007215	RETAINER, DOOR GLASS	10	1
16	74011507	FRAME, DOOR (BLK)	10	1
17	74008625	HANDLE, DOOR (SS)	10	1
18	311426	NUT, WASHERED LOCK	10	2

*Color Code (-)=Not Shown #=Series, Serial Prefix or Run No., N=Not Available

Section: DOOR (SER PRE 11)

Model: JGS8850BDB



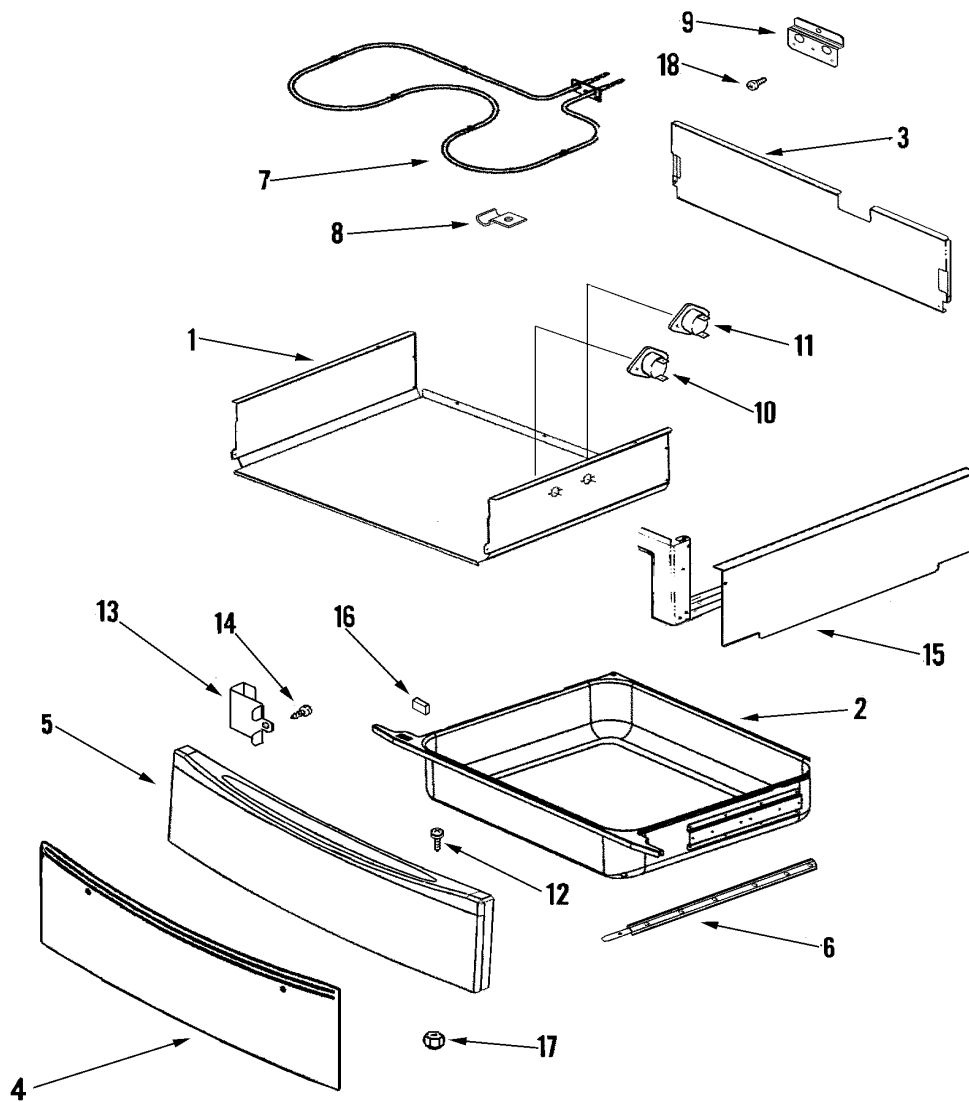
Section: DOOR (SER PRE 11)

No.	Part No.	Description	Series	Qty
1	74011456	LINING, DOOR	11	1
3	74001574	NUT, SNAP (ROUND-BLK)	11	2
4	7201P046-60	GASKET, DOOR	11	1
5	74011509	INSULATION, DOOR	11	2
6	74011458	BRACKET, INNER GLASS	11	2
7	74003645	GLASS, INNER	11	2
8	74003647	INSULATION, OVEN DOOR	11	2
9	74011457	BAFFLE, OVEN DOOR	11	1
10	74010231	GLASS, DOOR (INNER/COATED)	11	1
11	74011511	GLASS ASY, DOOR (BLK)	11	1
12	74011049	SHIELD, DOOR	11	1
13	74009194	WASHER, HANDLE	11	2
14	74011463	RETAINER, GLASS (RT)	11	1
14	74011797	RETAINER, GLASS (LT)	11	1
15	74011464	RETAINER, GLASS (LWR)	11	1
16	74011507	FRAME, DOOR (BLK)	11	1
17	74008625	HANDLE, DOOR (SS)	11	1
18	311426	NUT, WASHERED LOCK	11	2

*Color Code (-)=Not Shown #=Series, Serial Prefix or Run No., N=Not Available

Section: WARMING DRAWER

Model: JGS8850BDB



Section: WARMING DRAWER

No.	Part No.	Description	Series	Qty
1	74011814	BODY, WARMING DRAWER	10	1
2	74011815	DRAWER, WARMING	10	1
3	74011816	BACK, WARMING DRAWER	10	1
4	74011543	GLASS ASY, DRAWER (BLK)	10	1
5	74011641	PANEL ASY, DRAWER (BLK)	10	1
-	74003975	SCREW (8ABX3/8-BLK)	10	8
6	74006588	GLIDE, WARMING DRAWER	10	2
7	74005789	ELEMENT, WARMER	10	1
8	74006592	CLIP, WARMING ELEMENT	10	4
9	74006576	SUPPORT, ELEMENT (REAR)	10	1
10	74006585	SWITCH, HI-LIMIT (ELEC/DRAWER)	10	1
11	74006587	SWITCH, HI-LIMIT (ELEC/DRAWER)	10	1
12	74004310	SCREW, PANEL	10	2
13	74010896	BRACKET, DRAWER	10	2
14	74002979	SCREW, 8 X 1/2	10	2
15	74011818	SHEILD, SIDE (WARMING DRWR)	10	1
16	74005546	SPACER, RUBBER	10	2
17	7103P139-60	NUT, LOCK	10	2
18	Y700502	SCREW	10	6

*Color Code (-)=Not Shown #=Series, Serial Prefix or Run No., N=Not Available

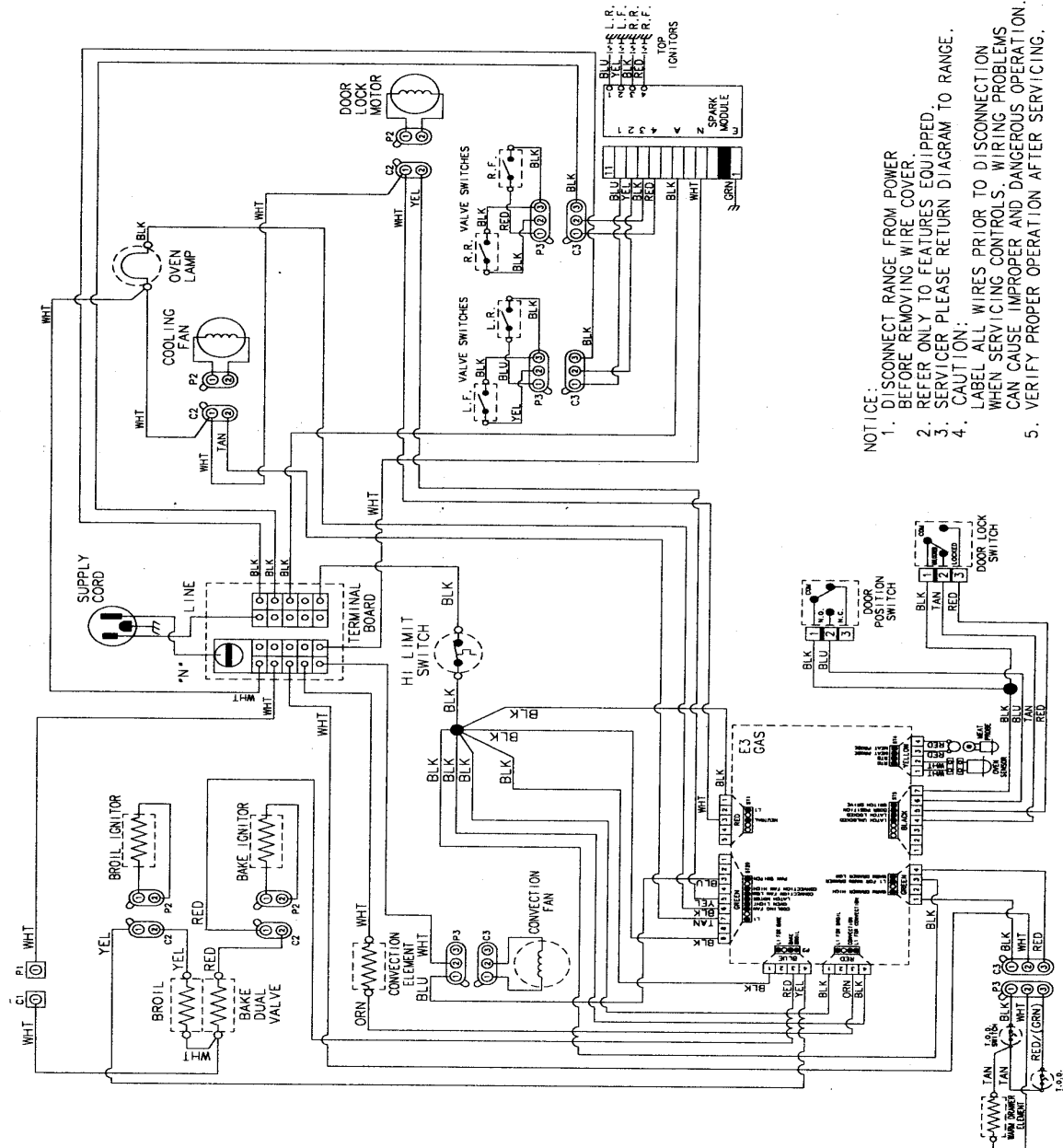
Section: SUPPLEMENTAL INFORMATION

No.	Part No.	Description	Series	Qty
-	8113P523-60	MANUAL, USE & CARE	10	1
-	74011645	HARNESS, MAIN	10	1
-	74011530	HARNESS, SENSOR	10	1
-	74011646	HARNESS, SPARK (REIGNITION)	10	1
-	74011619	HARNESS, WARMING DRAWER	10	1
-	74011513	CONVERSION KIT (LP)	10	1
-	12500100	KIT, BROILER PAN/INSERT--W Note: (ACCESSORY)	10	1
-	K71FILLB	KIT, EXTRUSION FILLER (BLK)	10	1
-	UXA1100AAB	KIT, SIDE PANEL (BLK)	10	1

*Color Code (-)=Not Shown #=Series, Serial Prefix or Run No., N=Not Available

Section: WIRING INFORMATION

Model: JGS8850BDB



NOTICE:

1. DISCONNECT RANGE FROM POWER BEFORE REMOVING WIRE COVER.
2. REFER ONLY TO FEATURES EQUIPPED.
3. SERVICER PLEASE RETURN DIAGRAM TO RANGE.
4. CAUTION: LABEL ALL WIRES PRIOR TO DISCONNECTION WHEN SERVICING CONTROLS. WIRING PROBLEMS CAN CAUSE IMPROPER AND DANGEROUS OPERATION.
5. VERIFY PROPER OPERATION AFTER SERVICING.

15003888

