

Repair Parts List

MODEL NUMBER

MGS5775BDB

RANGE

When requesting service or ordering parts, always provide the following information:

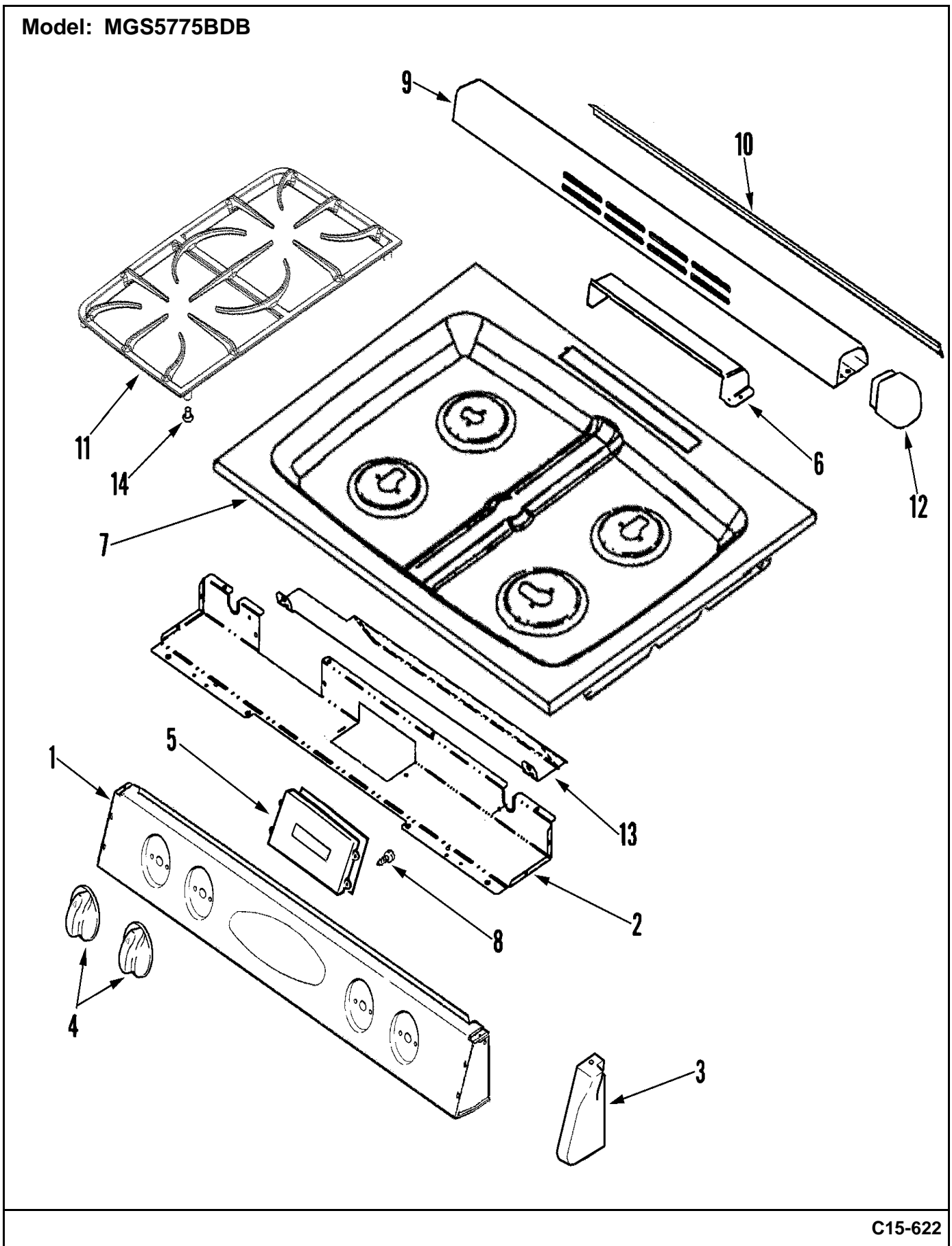
- Product Type
- Part Number
- Model Number
- Part Description

MAYTAG®

©2005 Maytag Services

Section: CONTROL PANEL/TOP ASSEMBLY

Model: MGS5775BDB



C15-622

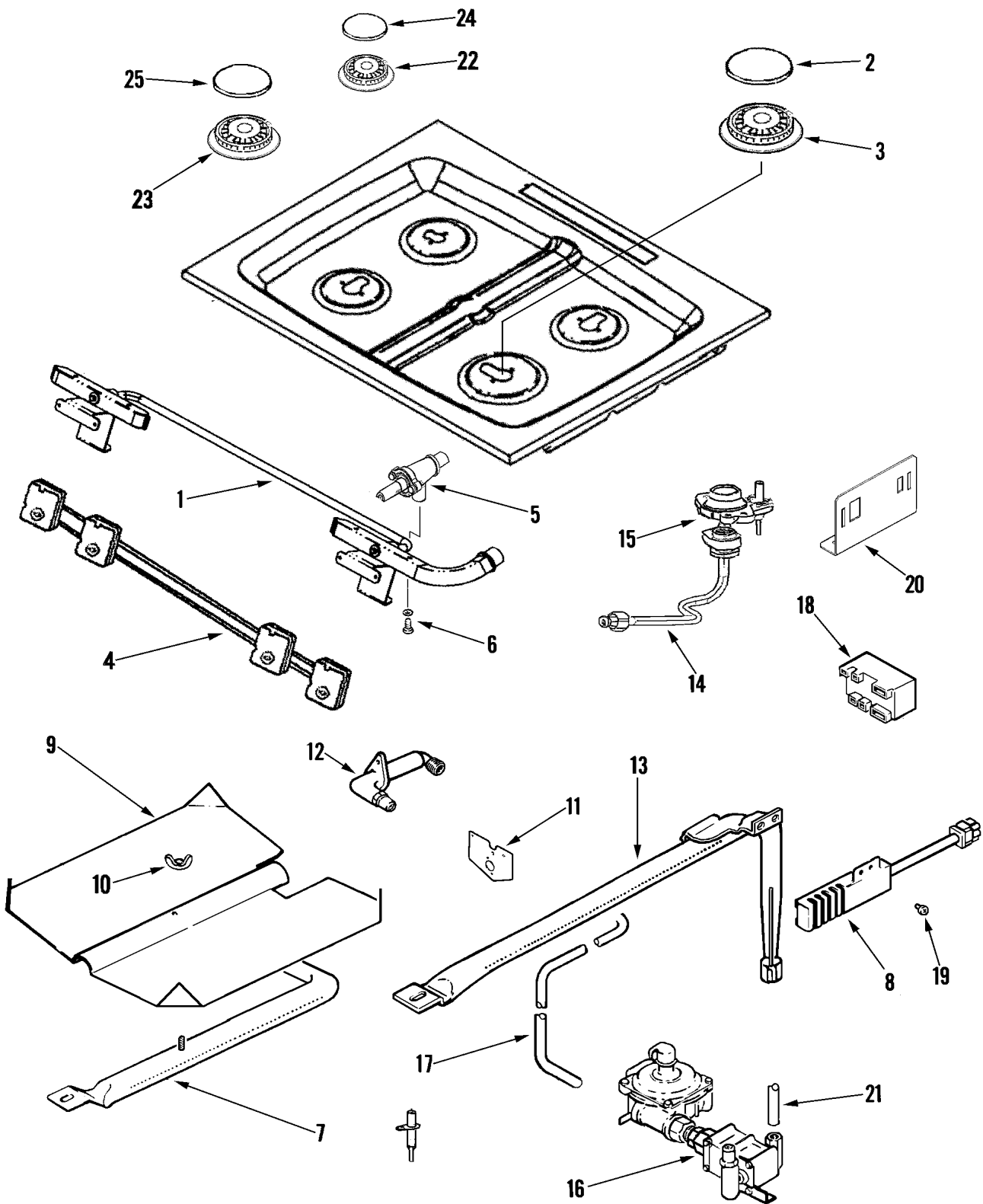
Section: CONTROL PANEL/TOP ASSEMBLY

| No. | Part No. | Description | Series | Qty |
|-----|-------------|------------------------|--------|-----|
| 1 | 74011126 | PANEL, CONTROL (BLK) | 10 | 1 |
| 2 | 74010826 | SUPPORT, CONTROL PANEL | 10 | 1 |
| 3 | 74010834 | CAP, END (BLK-RT) | 10 | 1 |
| 3 | 74010835 | CAP, END (BLK-LT) | 10 | 1 |
| 4 | 74010974 | KNOB (BLK) | 10 | 4 |
| 5 | 74010683 | CLOCK/OVERLAY (BLK) | 10 | 1 |
| - | 74010979 | BRACKET, CLOCK MTG | 10 | 1 |
| 6 | 3601F221-45 | BAFFLE, VENT COVER | 10 | 1 |
| 7 | 74011135 | TOP, MAIN (BLK) | 10 | 1 |
| 8 | 74004005 | SCREW, 6-32 X 5/16" | 10 | 4 |
| 9 | 74010946 | COVER, VENT (BLK) | 10 | 1 |
| 10 | 7201P061-60 | GASKET | 10 | 1 |
| 11 | 74009120 | GRATE, DOUBLE (BLK) | 10 | 2 |
| 12 | 74010925 | END CAP, VENT (LT-BLK) | 10 | 1 |
| 12 | 74004365 | END CAP, VENT (RT-BLK) | 10 | 1 |
| 13 | 74010846 | SHIELD, CONTROL | 10 | 1 |
| 14 | 74007356 | BUMPER, GRATE BOTTOM | 10 | 4 |
| - | M0275597 | SEALER, RTV CLEAR | 10 | 1 |

*Color Code (-)=Not Shown #=Series, Serial Prefix or Run No., N=Not Available

Section: GAS CONTROLS

Model: MGS5775BDB



C13-275

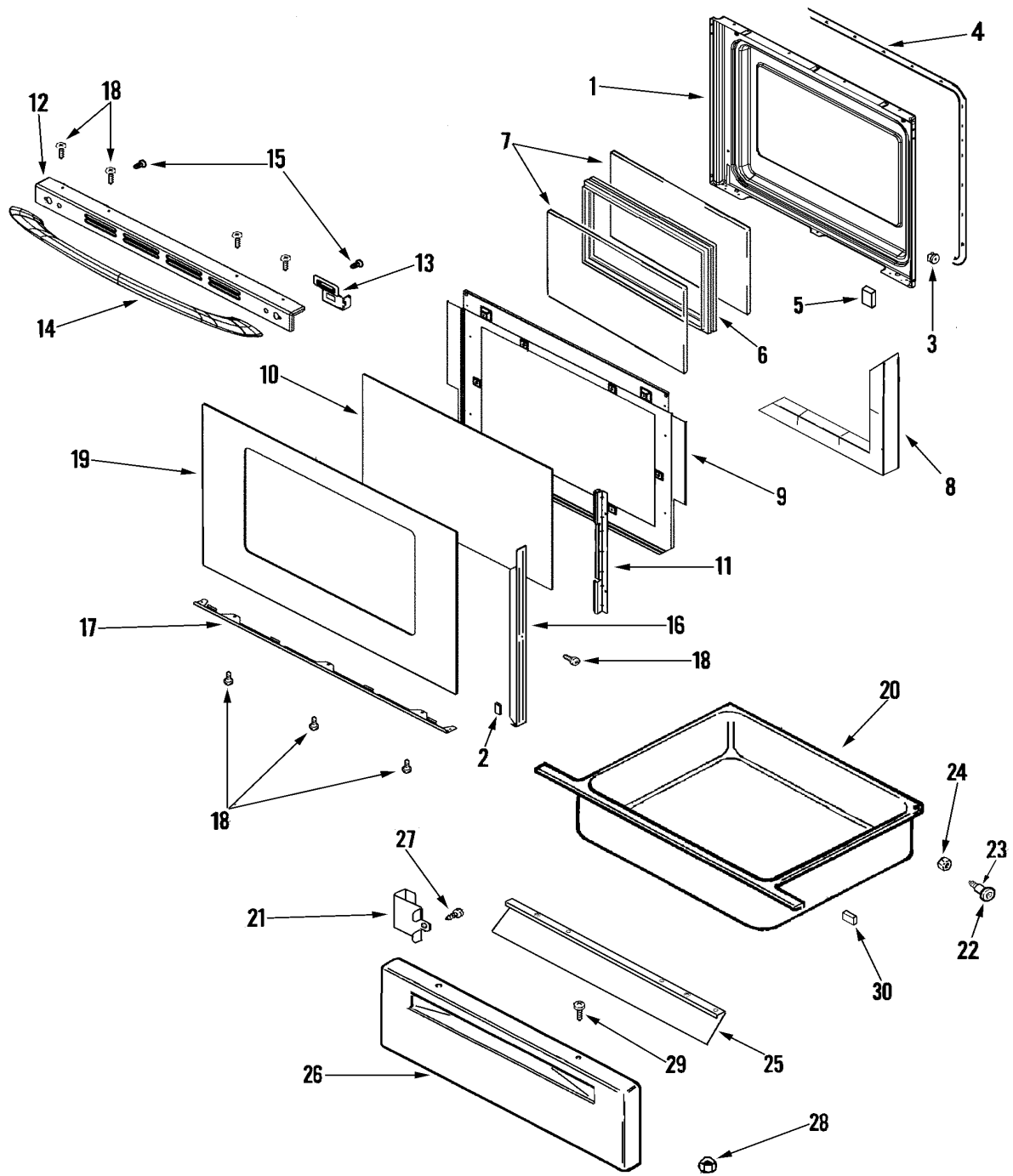
Section: GAS CONTROLS

| No. | Part No. | Description | Series | Qty |
|-----|-------------|---|--------|-----|
| 1 | 74010965 | MANIFOLD PIPE ASY. | 10 | 1 |
| 2 | 74007414 | CAP, BURNER (LRG-BLK) | 10 | 1 |
| - | Y700502 | SCREW | 10 | 2 |
| 3 | 74007413 | BASE, BURNER (16K) Note: BASE, BURNER (RF) | 10 | 1 |
| 4 | 74010915 | SWITCH/HARNESS ASSEMBLY | 10 | 1 |
| 5 | 74009452 | VALVE, 9K (MUELLER) Note: VALVE, BURNER (RR/LF) | 10 | 2 |
| 5 | 74009451 | VALVE, 5K (MUELLER) Note: VALVE, BURNER (LR) | 10 | 1 |
| 5 | 74009453 | VALVE, 16K (MUELLER) Note: VALVE, BURNER (RF) | 10 | 1 |
| 6 | 74009416 | SCREW | 10 | 4 |
| 7 | 74004076 | BURNER, BROIL | 10 | 1 |
| 8 | 74007498 | IGNITER, OVEN --W | 10 | 2 |
| 9 | 3601F217-47 | BAFFLE, BROIL BURNER | 10 | 1 |
| 10 | 7103P030-60 | NUT, WING | 10 | 1 |
| 11 | 74004307 | PLATE, BROIL FITTING | 10 | 1 |
| 12 | 74010901 | FITTING, BROIL | 10 | 1 |
| 13 | 74003960 | BURNER, BAKE | 10 | 1 |
| - | 3807F446-45 | SUPPORT, BURNER | 10 | 1 |
| 14 | 74011131 | TUBING, BURNER (RF) | 10 | 1 |
| 14 | 74011134 | TUBING, BURNER (LR) | 10 | 1 |
| 14 | 74011133 | TUBING, BURNER (RR) | 10 | 1 |
| 14 | 74011132 | TUBING, BURNER (LF) | 10 | 1 |
| 15 | 74010908 | HOLDER, ORIFICE (5K) Note: HOLDER, ORIFICE (5K-LR) | 10 | 1 |
| - | 74011755 | IGNITER/BRACKET ASY | 10 | 4 |
| 15 | 74010909 | HOLDER, ORIFICE (9.2K) Note: HOLDER, ORIFICE (9.2K-LF/RR) | 10 | 2 |
| 15 | 74010907 | HOLDER, ORIFICE (16K) Note: HOLDER, ORIFICE (16K-RF) | 10 | 1 |
| 16 | Y74010900 | OVEN VALVE/REG ASSEMBLY | 10 | 1 |
| 17 | 74004408 | TUBING (3/8") | 10 | 1 |
| 18 | 74004283 | MODULE, SPARK (4+0) | 10 | 1 |
| 19 | 7101P282-60 | SCREW (10-24X5/16-NI) | 10 | 4 |
| 20 | 74007020 | SUPPORT, SPARK MODULE | 10 | 1 |
| 21 | 74010944 | TUBING, SUPPLY | 10 | 1 |
| - | Y700502 | SCREW | 10 | 2 |
| 22 | 74007411 | BASE, BURNER (5K) Note: BASE, BURNER (LR) | 10 | 1 |
| 23 | 74007698 | BASE, BURNER (LRG/BLK) Note: BASE, BURNER (RR/LF) | 10 | 2 |
| - | Y700502 | SCREW | 10 | 4 |
| 24 | 74007416 | CAP, BURNER (SMR-BLK) | 10 | 1 |
| 25 | 74007925 | CAP, BURNER (MED-BLK) | 10 | 2 |

*Color Code (-)=Not Shown #=Series, Serial Prefix or Run No., N=Not Available

Section: DOOR/DRAWER

Model: MGS5775BDB



C11-871

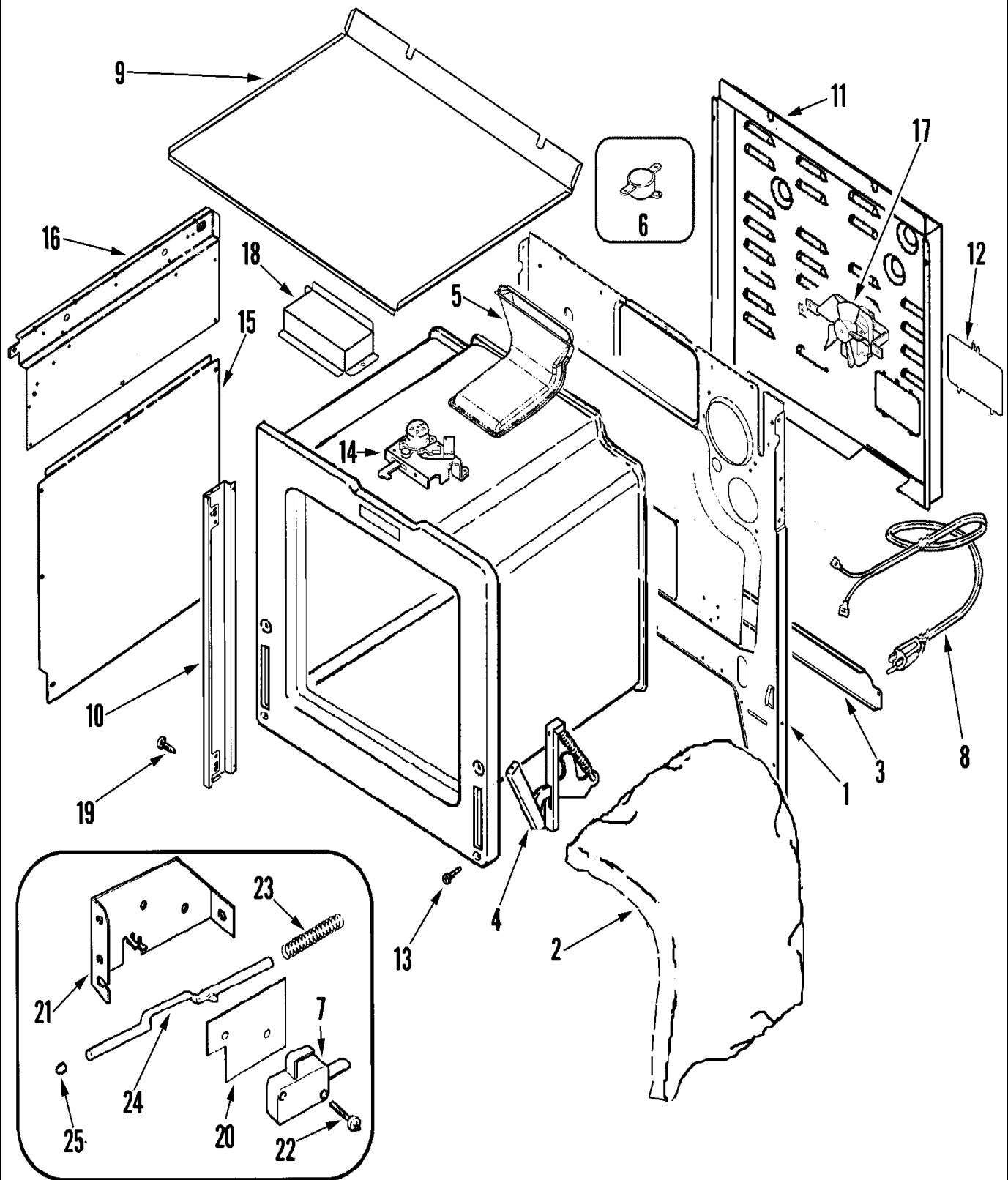
Section: DOOR/DRAWER

| No. | Part No. | Description | Series | Qty |
|-----|-------------|------------------------------|--------|-----|
| 1 | 74003642 | LINING, DOOR | 10 | 1 |
| 2 | 74004224 | TAPE, SINGLE SIDED (WHT) | 10 | 2 |
| 3 | 74001574 | NUT, SNAP (ROUND-BLK) | 10 | 4 |
| 4 | 7201P046-60 | GASKET, DOOR | 10 | 1 |
| 5 | 74005546 | SPACER, RUBBER | 10 | 2 |
| 6 | 74003644 | FRAME, GLASS | 10 | 1 |
| 7 | 74003645 | GLASS, INNER | 10 | 2 |
| 8 | 74003647 | INSULATION, OVEN DOOR | 10 | 2 |
| 9 | 74009502 | BAFFLE, OVEN DOOR | 10 | 1 |
| 10 | 74004857 | GLASS W/TAPE ASSY | 10 | 1 |
| 11 | 74003650 | RETAINER, GLASS | 10 | 2 |
| 12 | 74009689 | TRIM, DOOR TOP (BLK) | 10 | 1 |
| 13 | 74009699 | BRACKET, DOOR HANDLE (LT) | 10 | 1 |
| 13 | 74009698 | BRACKET, DOOR HANDLE (RT) | 10 | 1 |
| 14 | 74010971 | HANDLE, DOOR (BLK) | 10 | 1 |
| 15 | 74006635 | SCREW W/WASHER (HANDLE MTG) | 10 | 2 |
| 16 | 12002359 | KIT, DOOR TRIM (BLK) | 10 | 1 |
| 17 | 74009686 | SUPPORT, GLASS (BLK) | 10 | 1 |
| 18 | 74009537 | SCREW (BLK) | 10 | 9 |
| 19 | 12002395 | KIT, DOOR GLASS (BLK) | 10 | 1 |
| 20 | 74008333 | DRAWER, STORAGE | 10 | 1 |
| 21 | 74010896 | BRACKET, DRAWER | 10 | 2 |
| 22 | 74004078 | ROLLER, DRAWER | 10 | 2 |
| 23 | 74005231 | SHAFT, STORAGE DRAWER ROLLER | 10 | 2 |
| 24 | 7103P082-60 | NUT | 10 | 2 |
| 25 | 2404F030-51 | LINING, DRAWER PANEL | 10 | 1 |
| 26 | 74003701 | PANEL, DRAWER (BLK) | 10 | 1 |
| 27 | 74004310 | SCREW, PANEL | 10 | 2 |
| 28 | 74005230 | NUT, LOCK (8-32) | 10 | 2 |
| 29 | 74009537 | SCREW (BLK) | 10 | 2 |
| 30 | 74005546 | SPACER, RUBBER | 10 | 2 |

*Color Code (-)=Not Shown #=Series, Serial Prefix or Run No., N=Not Available

Section: BODY

Model: MGS5775BDB



C14-924

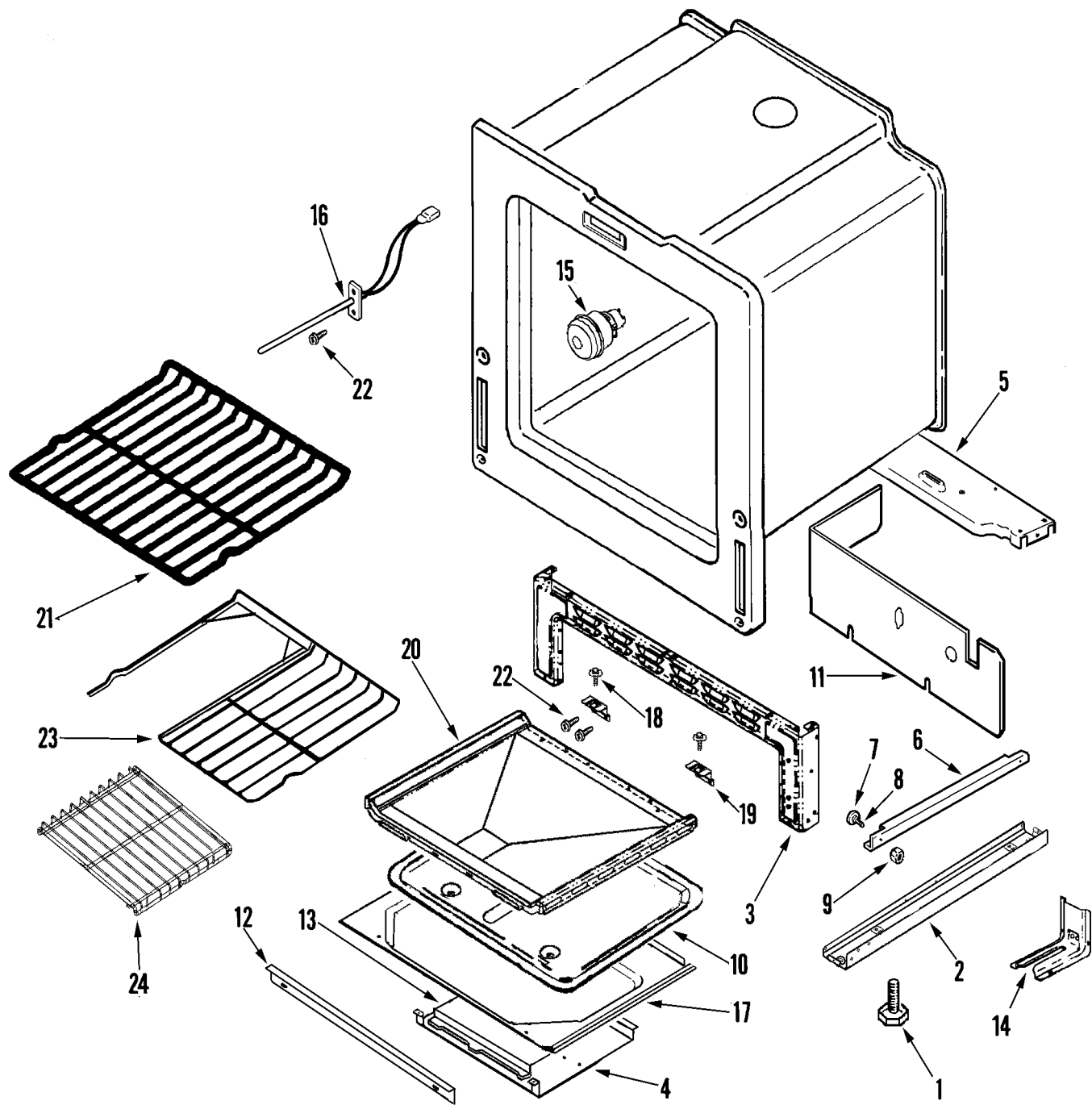
Section: BODY

| No. | Part No. | Description | Series | Qty |
|-----|-------------|--------------------------|--------|-----|
| 1 | 74010949 | BACK, MAIN | 10 | 1 |
| 2 | 74010987 | INSULATION, WRAPPER | 10 | 1 |
| 3 | 74010815 | EXTENSION, MAIN BACK | 10 | 1 |
| 4 | 74011142 | HINGE, OVEN DOOR | 10 | 2 |
| 5 | 74010959 | VENT | 10 | 1 |
| 6 | 74010904 | SWITCH, LIMIT | 10 | 1 |
| 7 | 74008263 | SWITCH, DOOR LOCK | 10 | 1 |
| 8 | 74004295 | CORD, POWER | 10 | 1 |
| 9 | 74010906 | BOTTOM, BURNER BOX | 10 | 1 |
| 10 | 74010831 | TRIM, SIDE (BLK) | 10 | 2 |
| 11 | 74006096 | COVER, WIRE (REAR) | 10 | 1 |
| 12 | 74005264 | COVER, TERMINAL BLOCK | 10 | 1 |
| 13 | 7101P112-60 | SCREW | 10 | 4 |
| 14 | 74010819 | LATCH ASY | 10 | 1 |
| 15 | 74010905 | SHEILD, LOWER SIDE | 10 | 2 |
| 16 | 74010821 | PANEL, SHIELD (LT) | 10 | 1 |
| 16 | 74010822 | PANEL, SHIELD (RT) | 10 | 1 |
| 17 | 74010823 | FAN, COOLING | 10 | 1 |
| 18 | 74010845 | COVER, DOOR LATCH | 10 | 1 |
| 19 | 74003976 | SCREW, SHOULDER | 10 | 4 |
| 20 | 74008264 | INSULATOR | 10 | 1 |
| 21 | 74001632 | BRACKET, SWITCH ACTUATOR | 10 | 1 |
| 22 | 22002368 | SCREW---NA | 10 | 2 |
| 23 | 74001629 | SPRING, DOOR SWITCH | 10 | 1 |
| 24 | 74003562 | ROD, DOOR LIGHT SWITCH | 10 | 1 |
| 25 | 74001631 | BUMPER, ROD | 10 | 1 |

*Color Code (-)=Not Shown #=Series, Serial Prefix or Run No., N=Not Available

Section: OVEN/BASE

Model: MGS5775BDB



C12-542

Section: OVEN/BASE

| No. | Part No. | Description | Series | Qty |
|-----|-------------|-------------------------------|--------|-----|
| 1 | 74010805 | SCREW, LEVELING LEG | 10 | 4 |
| 2 | 74010899 | BOTTOM, PEDESTAL | 10 | 2 |
| 3 | 74010882 | PEDESTAL, FRONT | 10 | 2 |
| 4 | 74006591 | SHIELD, WARMING DRAWER | 10 | 1 |
| 5 | 74007129 | SUPPORT, VALVE REGULATOR | 10 | 1 |
| 6 | 74003565 | RUNNER, DRAWER | 10 | 2 |
| 7 | 74004078 | ROLLER, DRAWER | 10 | 2 |
| 8 | 74005231 | SHAFT, STORAGE DRAWER ROLLER | 10 | 2 |
| 9 | 74005230 | NUT, LOCK (8-32) | 10 | 2 |
| 10 | 74004465 | PAN, BAKE BURNER | 10 | 1 |
| 11 | 74005465 | COVER, VALVE/REGULATOR | 10 | 1 |
| 12 | 74001219 | BAFFLE, OVEN FRONT | 10 | 1 |
| 13 | 74006574 | SHIELD, HEAT POUCH | 10 | 1 |
| 14 | 74005564 | BRACKET, ANTI-TIP | 10 | 1 |
| 15 | 74010885 | LAMP ASSEMBLY | 10 | 1 |
| - | 7407P103-60 | BULB, OVEN | 10 | 1 |
| 16 | 74004944 | SENSOR, OVEN (SHORT) | 10 | 1 |
| - | 74010986 | INSULATION, OVEN BOTTOM | 10 | 1 |
| 17 | 74009480 | RETAINER, BOTTOM INSULATION | 10 | 1 |
| 18 | 74003976 | SCREW, SHOULDER | 10 | 2 |
| 19 | 74010812 | SUPPORT, OVEN BOTTOM | 10 | 2 |
| 20 | 74010948 | BOTTOM, OVEN | 10 | 1 |
| 21 | 74001757 | RACK, OVEN | 10 | 1 |
| 22 | 7101P124-60 | SCREW W/WASHER | 10 | 22 |
| 23 | 74009589 | RACK, CREATE A SPACE HALF 30" | 10 | 1 |
| 24 | 74009587 | INSERT, HALF RACK 30" | 10 | 1 |

*Color Code (-)=Not Shown #=Series, Serial Prefix or Run No., N=Not Available

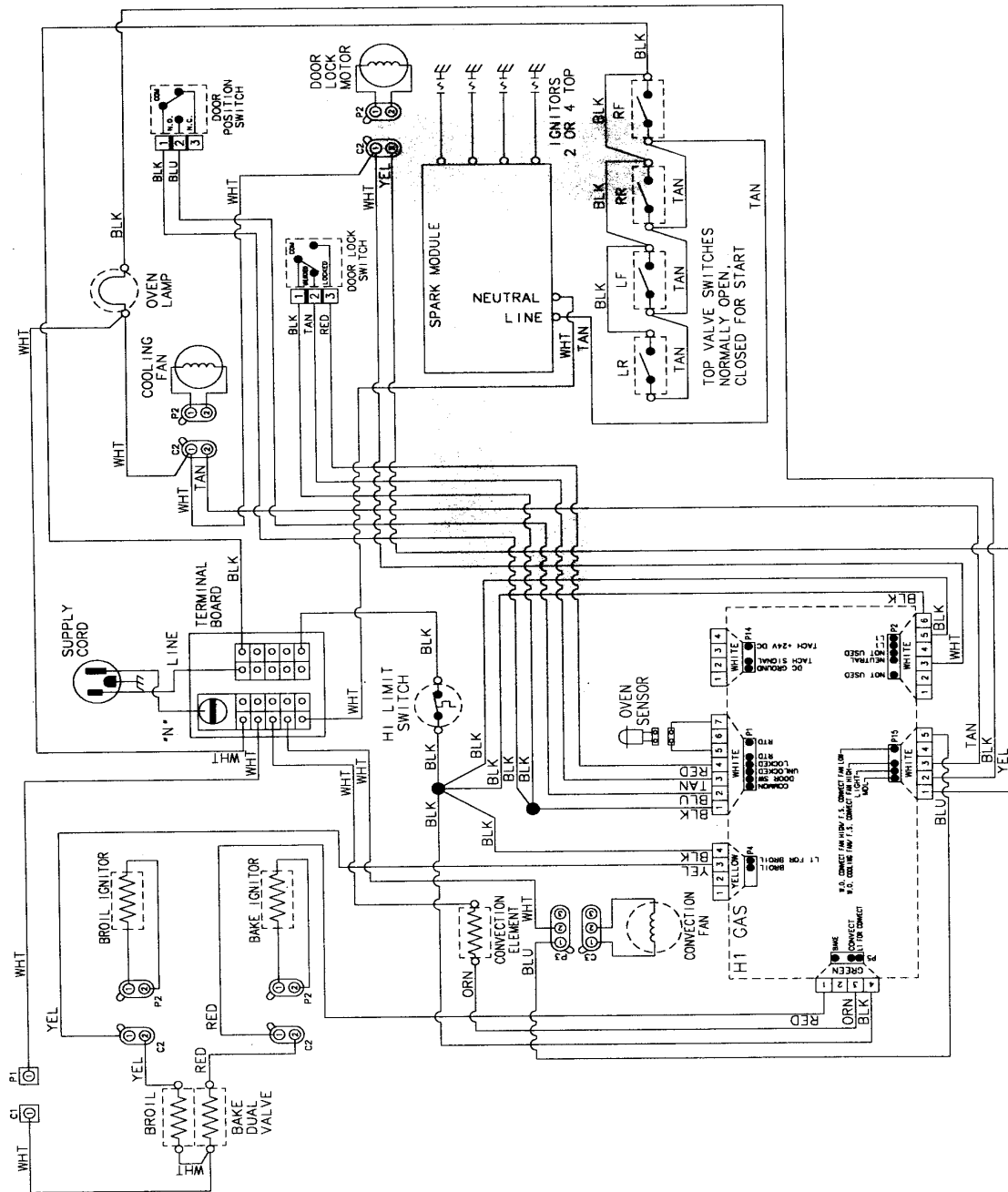
Section: SUPPLEMENTAL INFORMATION

| No. | Part No. | Description | Series | Qty |
|-----|-------------|---|--------|-----|
| - | 8113P581-60 | MANUAL, USE & CARE | 12 | 1 |
| - | 8113P496-60 | MANUAL, USE & CARE | 10 | 1 |
| - | 74011369 | HARNESS, MAIN | 11 | 1 |
| - | 74011352 | WIRE (WHT/2)/2 CURCUIT PLUG | 11 | 1 |
| - | 74011350 | WIRE (18G WHT/2) | 10 | 1 |
| - | 74011130 | HARNESS, MAIN | 10 | 1 |
| - | 74010914 | HARNESS, SPARK | 10 | 1 |
| - | 74010849 | HARNESS, SENSOR/LATCH | 10 | 1 |
| - | 74011053 | KIT, LP ORIFICE | 10 | 1 |
| - | 12002708 | ORIFICE KIT (NAT) | 10 | 1 |
| - | W10124350 | NOT REQUIRED PART OR SEE NOTE Note: ACCESSORY FILLER KITS | 10 | 0 |
| - | K71FILLB | KIT, EXTRUSION FILLER (BLK) | 10 | 1 |
| - | W10124350 | NOT REQUIRED PART OR SEE NOTE Note: ACCESSORY SIDE PANEL KITS | 10 | 0 |
| - | UXA1100AAB | KIT, SIDE PANEL (BLK) | 10 | 1 |
| - | W10124350 | NOT REQUIRED PART OR SEE NOTE Note: ACCESSORY SIDE TRIM PLUGS | 10 | 0 |
| - | 74011434 | PLUG, SIDE TRIM (BLK) | 10 | 8 |

*Color Code (-)=Not Shown #=Series, Serial Prefix or Run No., N=Not Available

Section: WIRING INFORMATION

Model: MGS5775BDB



15003735

