

Repair Parts List

MODEL NUMBER

PES3759BCB

RANGE

When requesting service or ordering parts, always provide the following information:

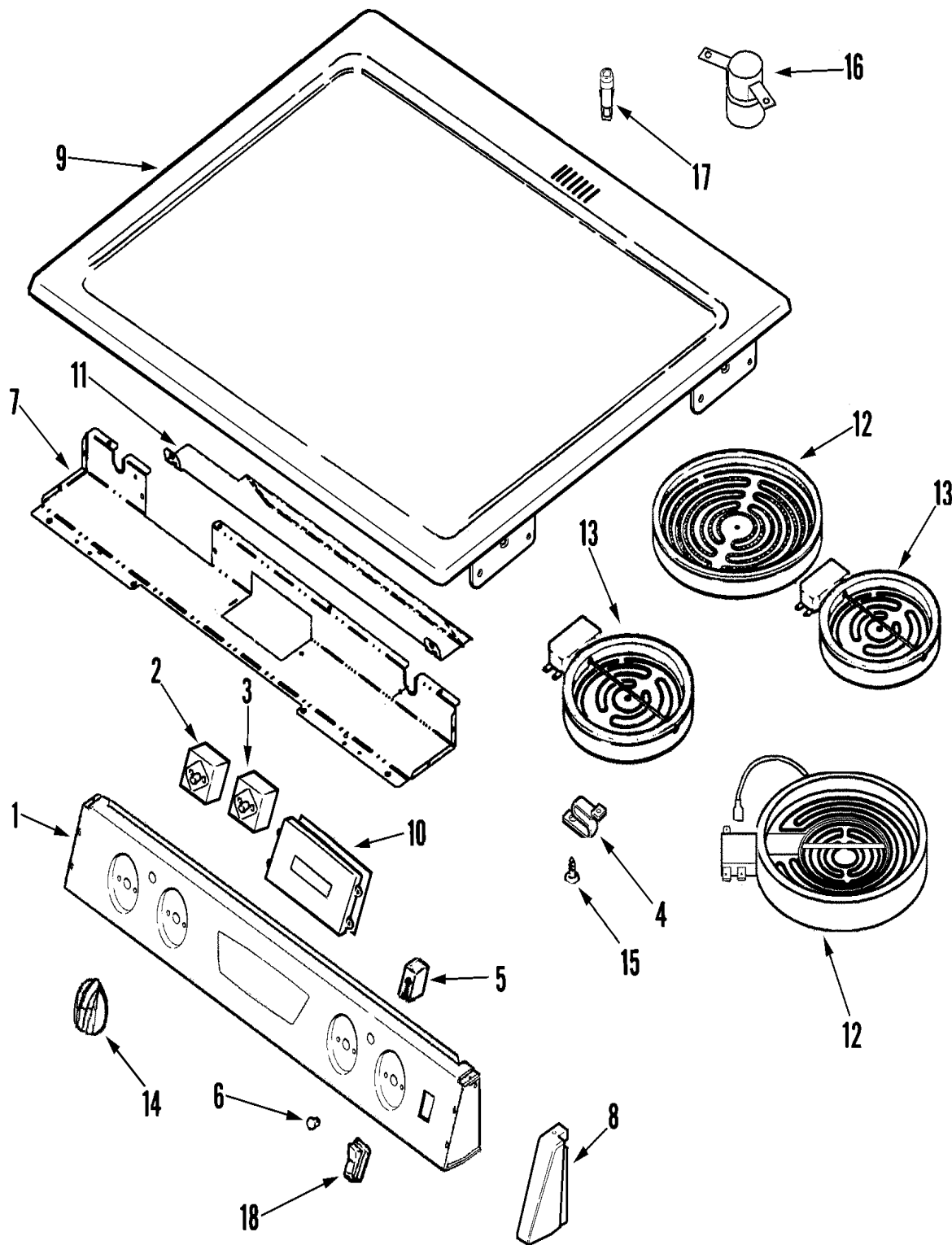
- Product Type
- Part Number
- Model Number
- Part Description

MAYTAG®

©2005 Maytag Services

Section: CONTROL PANEL/TOP ASY

Model: PES3759BCB



C10-691

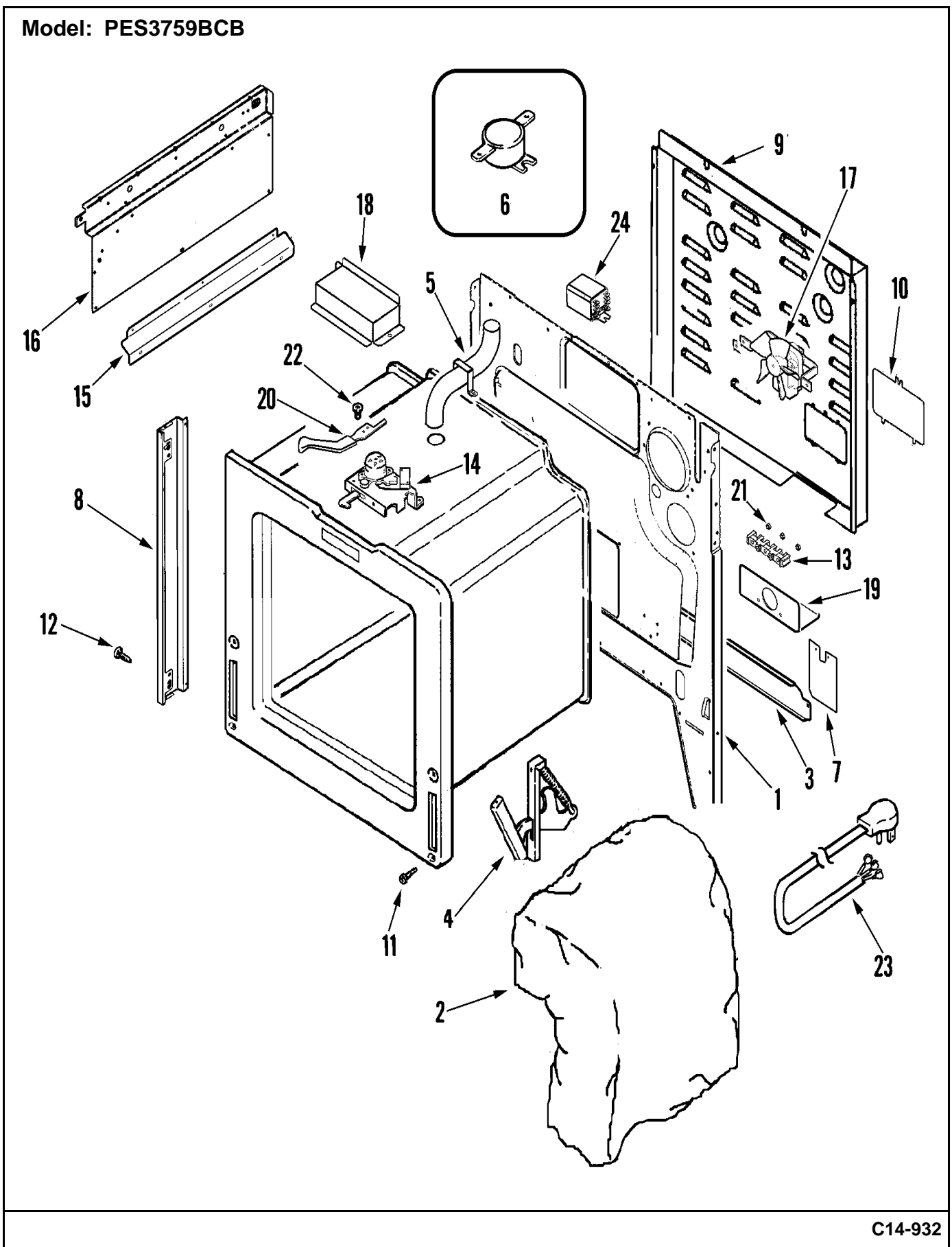
Section: CONTROL PANEL/TOP ASY

No.	Part No.	Description	Series	Qty
1	74011760	CONTROL PANEL (BLK)		10 1
2	7403P238-60	SWITCH, INFINITE (SML ELEMENT) Note: (RR/LF)		10 2
-	7101P309-60	SCREW Note: SCREW (INFINITE SWITCH MTG)		10 4
3	7403P239-60	SWITCH, INFINITE (LRG ELEMENT) Note: (RF/LR)		10 2
-	7101P309-60	SCREW Note: SCREW (INFINITE SWITCH MTG)		10 4
4	74007845	SUPPORT, ELEMENT		10 8
5	74004153	LIGHT, INDICATOR		10 2
6	7730P011-60	LENS, INDICATOR LIGHT		10 2
7	74004785	SUPPORT, MANIFOLD PANEL		10 1
8	74010834	CAP, END (BLK-RT)		10 1
8	74010835	CAP, END (BLK-LT)		10 1
9	74010657	TOP ASSEMBLY (BLK)		10 1
10	74011754	CLOCK/OVERLAY (BLK)		10 1
11	74010846	SHIELD, CONTROL		10 1
12	74009034	ELEMENT (2500W) Note: ELEMENT (2500W) (LR)		10 2
13	74008568	ELEMENT (1200W) Note: ELEMENT (1200W) (LF/RR)		10 2
14	74009187	KNOB (BLK)		10 4
15	74003357	SCREW (6ABX.25-ZN)		10 20
16	74005759	TUBE, VENT (UPR)		10 1
17	Y706125	LIGHT, INDICATOR		10 1
18	74008718	SWITCH, ROCKER (BLK)		10 4

*Color Code (-)=Not Shown #=Series, Serial Prefix or Run No., N=Not Available

Section: BODY

Model: PES3759BCB



C14-932

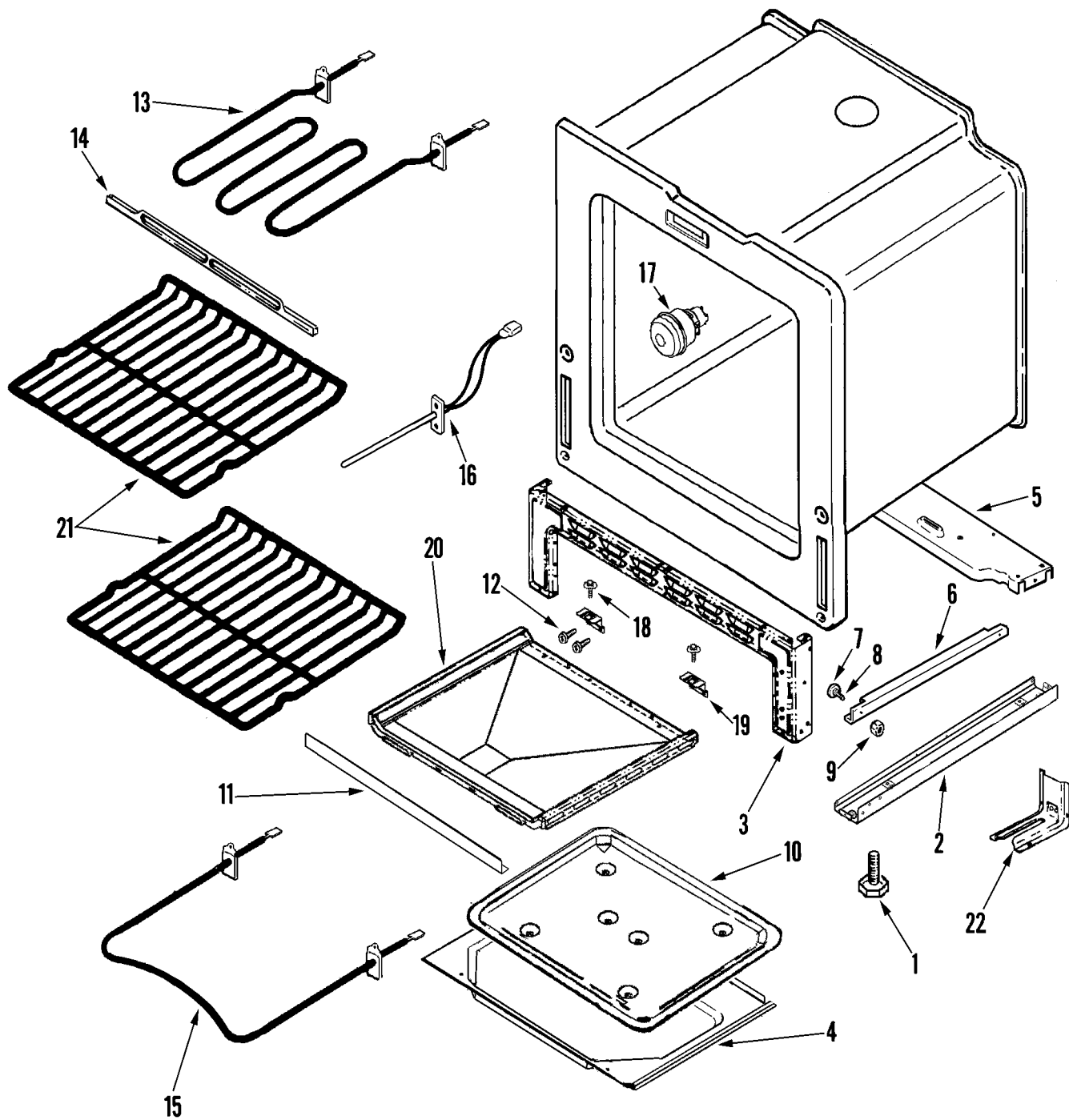
Section: BODY

No.	Part No.	Description	Series	Qty
1	74010949	BACK, MAIN	10	1
2	74010813	INSULATION, WRAPPER	10	1
3	74010815	EXTENSION, MAIN BACK	10	1
4	74011142	HINGE, OVEN DOOR	10	2
5	74010816	TUBE, VENT	10	1
-	74010817	HOLDER, VENT TUBE	10	1
6	74010818	SWITCH, HI-LIMIT	10	1
7	74006364	INSULATOR, POWER CORD	10	1
8	74010831	TRIM, SIDE (BLK)	10	2
9	74006096	COVER, WIRE (REAR)	10	1
10	74005264	COVER, TERMINAL BLOCK	10	1
11	7101P112-60	SCREW	10	4
12	74003976	SCREW, SHOULDER	10	4
13	7401P039-60	BLOCK, TERMINAL	10	1
14	74011268	LATCH ASY	10	1
15	74010820	EXTENSION, HEAT SHEILD	10	2
16	74010821	PANEL, SHIELD (LT)	10	1
16	74010822	PANEL, SHIELD (RT)	10	1
17	74010823	FAN, COOLING	10	1
18	74010845	COVER, DOOR LATCH	10	1
19	74004180	BRACKET, POWER SUPPLY	10	1
20	74001075	LEVER, LATCH (BLK)	10	1
21	7103P027-60	NUT, TERMINAL BLOCK	10	3
22	74003975	SCREW (8ABX3/8-BLK)	10	2
23	74006398	CORD, POWER	10	1
24	74009845	RELAY, AUXILIARY (DPDT)	10	1

*Color Code (-)=Not Shown #=Series, Serial Prefix or Run No., N=Not Available

Section: OVEN/BASE

Model: PES3759BCB



C12-544

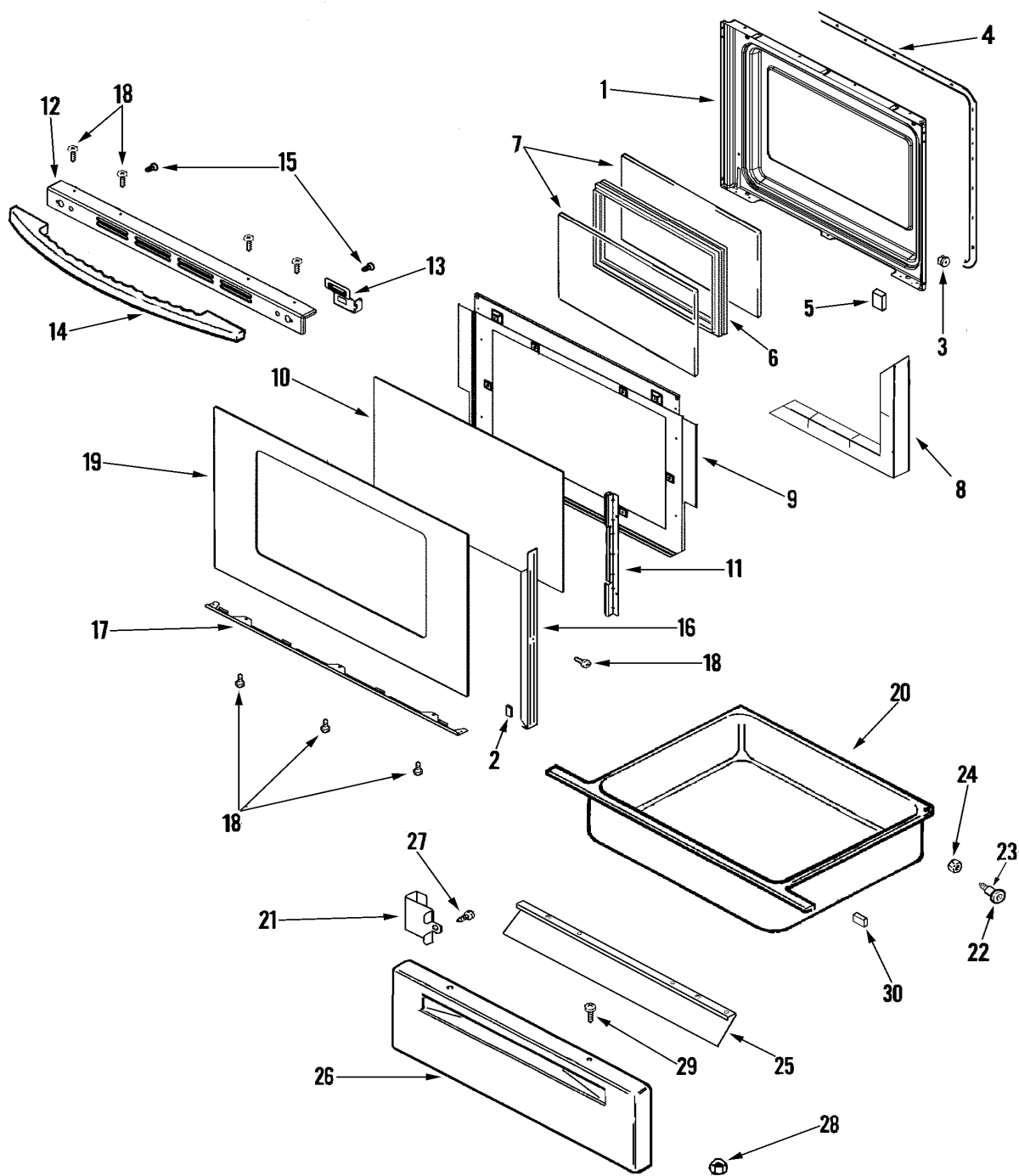
Section: OVEN/BASE

No.	Part No.	Description	Series	Qty
1	74010805	SCREW, LEVELING LEG	10	4
2	74010899	BOTTOM, PEDESTAL	10	2
3	74010882	PEDESTAL, FRONT	10	2
4	74006522	RETAINER, INSULATION (BOTTOM)	10	1
5	74007129	SUPPORT, VALVE REGULATOR	10	1
6	74003565	RUNNER, DRAWER	10	2
7	74004078	ROLLER, DRAWER	10	2
8	74005231	SHAFT, STORAGE DRAWER ROLLER	10	2
9	74005230	NUT, LOCK (8-32)	10	2
10	74010806	PAN, BAKE	10	1
11	74010807	COVER, FRONT	10	1
12	7101P124-60	SCREW W/WASHER	10	4
13	74003040	ELEMENT, BROIL (6 PASS)	10	1
14	74003386	SUPPORT, BROIL ELEMENT	10	1
15	74010883	ELEMENT, BAKE	10	1
16	74004943	SENSOR, OVEN (LONG)	10	1
-	7407P103-60	BULB, OVEN	10	1
17	74010885	LAMP ASSEMBLY	10	1
18	74003976	SCREW, SHOULDER	10	2
19	74010812	SUPPORT, OVEN BOTTOM	10	2
20	74010853	BOTTOM, OVEN	10	1
21	74001757	RACK, OVEN	10	2
-	7101P352-60	SCREW	10	2
22	74005564	BRACKET, ANTI-TIP	10	1

*Color Code (-)=Not Shown #=Series, Serial Prefix or Run No., N=Not Available

Section: DOOR/DRAWER

Model: PES3759BCB



C11-868

Section: DOOR/DRAWER

No.	Part No.	Description	Series	Qty
1	74003642	LINING, DOOR	10	1
2	74004224	TAPE, SINGLE SIDED (WHT)	10	2
3	74001574	NUT, SNAP (ROUND-BLK)	10	4
4	7201P046-60	GASKET, DOOR	10	1
5	74005546	SPACER, RUBBER	10	2
6	74003644	FRAME, GLASS	10	1
7	74003645	GLASS, INNER	10	2
8	74003647	INSULATION, OVEN DOOR	10	2
9	74009502	BAFFLE, OVEN DOOR	10	1
10	74004857	GLASS W/TAPE ASSY	10	1
11	74003650	RETAINER, GLASS	10	2
12	74010239	TRIM, DOOR TOP (BLK)	10	1
13	74009698	BRACKET, DOOR HANDLE (RT)	10	1
13	74009699	BRACKET, DOOR HANDLE (LT)	10	1
14	74010338	HANDLE, DOOR (BLK)	10	1
15	74006635	SCREW W/WASHER (HANDLE MTG)	10	2
16	12002359	KIT, DOOR TRIM (BLK)	10	1
17	74009686	SUPPORT, GLASS (BLK)	10	1
18	74009537	SCREW (BLK)	10	9
19	12002395	KIT, DOOR GLASS (BLK)	10	1
20	74008333	DRAWER, STORAGE	10	1
21	74010896	BRACKET, DRAWER	10	2
22	74004078	ROLLER, DRAWER	10	2
23	74005231	SHAFT, STORAGE DRAWER ROLLER	10	2
24	7103P082-60	NUT	10	2
25	2404F030-51	LINING, DRAWER PANEL	10	1
26	74003701	PANEL, DRAWER (BLK)	10	1
27	74004310	SCREW, PANEL	10	2
28	74005230	NUT, LOCK (8-32)	10	2
29	74009537	SCREW (BLK)	10	2
30	74005546	SPACER, RUBBER	10	2

*Color Code (-)=Not Shown #=Series, Serial Prefix or Run No., N=Not Available

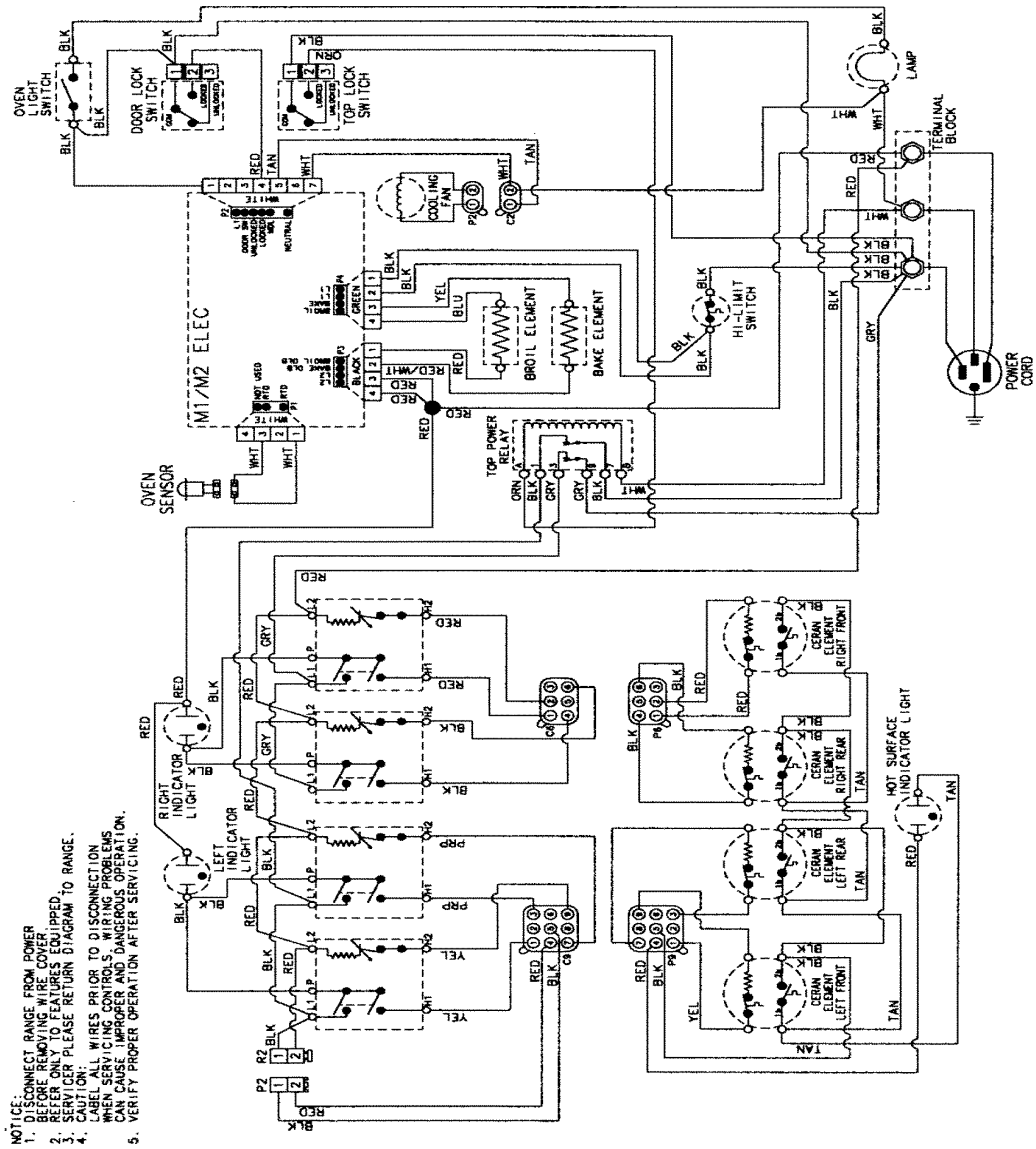
Section: SUPPLEMENTAL INFORMATION

No.	Part No.	Description	Series	Qty
-	8113P610-60	MANUAL, USE & CARE	10	1
-	74011267	HARNESS, MAIN	10	1
-	74011089	HARNESS, SWITCH (RT)	10	1
-	74011091	HARNESS, SWITCH (LT)	10	1
-	74011230	HARNESS, TOP	10	1
6	74010890	HARNESS, SENSOR	10	1
-	K71FILLB	KIT, EXTRUSION FILLER (BLK)	10	1
-	W10124350	NOT REQUIRED PART OR SEE NOTE Note: ACCESSORY FILLER KITS	10	0
-	W10124350	NOT REQUIRED PART OR SEE NOTE Note: ACCESSORY SIDE PANEL KITS	10	0
-	UXA1100AAB	KIT, SIDE PANEL (BLK)	10	1
-	W10124350	NOT REQUIRED PART OR SEE NOTE Note: ACCESSORY SIDE TRIM PLUGS	10	0
-	74011434	PLUG, SIDE TRIM (BLK)	10	8

*Color Code (-)=Not Shown #=Series, Serial Prefix or Run No., N=Not Available

Section: WIRING INFORMATION

Model: PES3759BCB

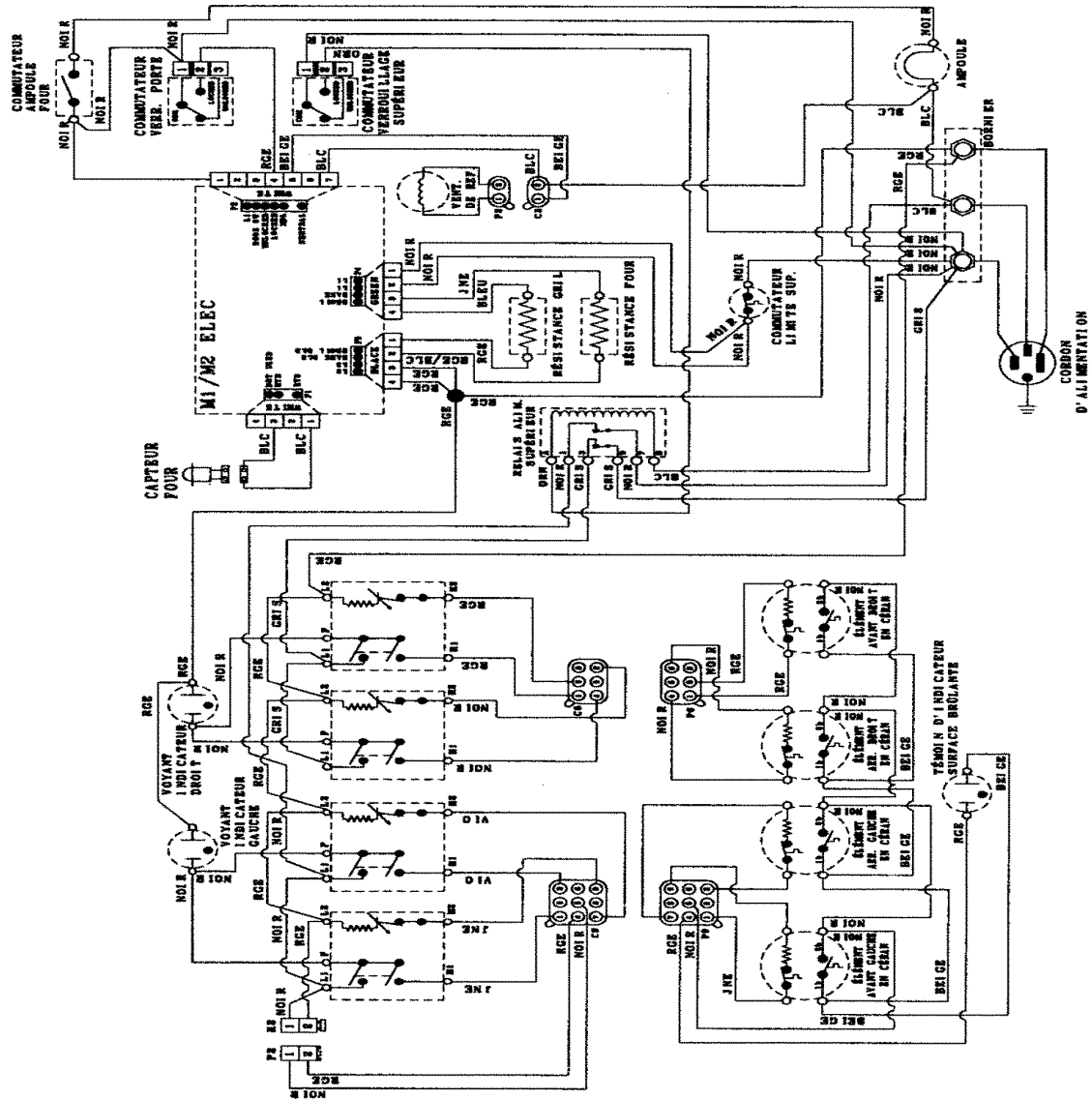


- NOTICE:
1. DISCONNECT RANGE FROM POWER BEFORE REMOVING WIRE COVER.
 2. REFER ONLY TO FEATURES EQUIPPED TO RANGE.
 3. SERVICER PLEASE RETURN DIAGRAM TO RANGE.
 4. CUT OFF ALL WIRES PRIOR TO DISCONNECTION WHEN SERVICING CONTROLS. WIRING PROBLEMS CAN CAUSE IMPROPER AND DANGEROUS OPERATION. VERIFY PROPER OPERATION AFTER SERVICING.
 - 5.

15003754

Section: WIRING INFORMATION (FRENCH)

Model: PES3759BCB



15003755

Section: WIRING INFORMATION (FRENCH)

No.	Part No.	Description	Series	Qty
-	N 15003755	WIRING INFORMATION (FRENCH)	10	1

*Color Code (-)=Not Shown #=Series, Serial Prefix or Run No., N=Not Available

