

# Repair Parts List

MODEL NUMBER

AES1350BAW

## RANGE

When requesting service or ordering parts, always provide the following information:

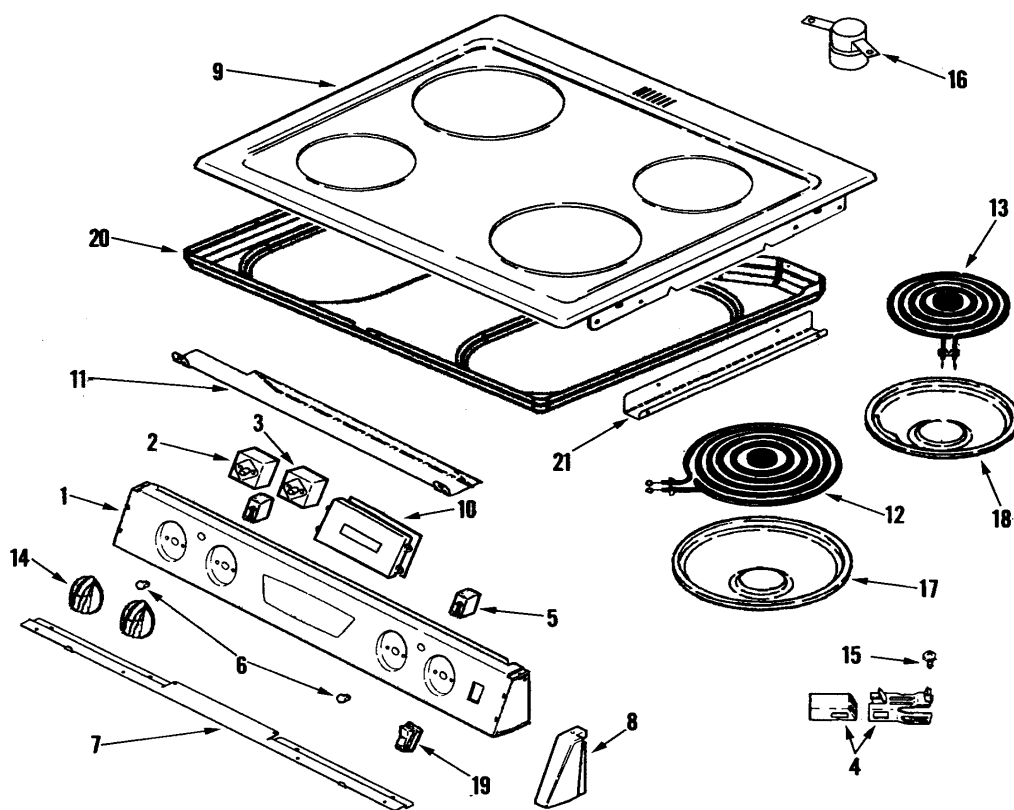
- Product Type
- Part Number
- Model Number
- Part Description

**MAYTAG**®

©2005 Maytag Services

Section: CONTROL PANEL/TOP ASY

Model: AES1350BAW



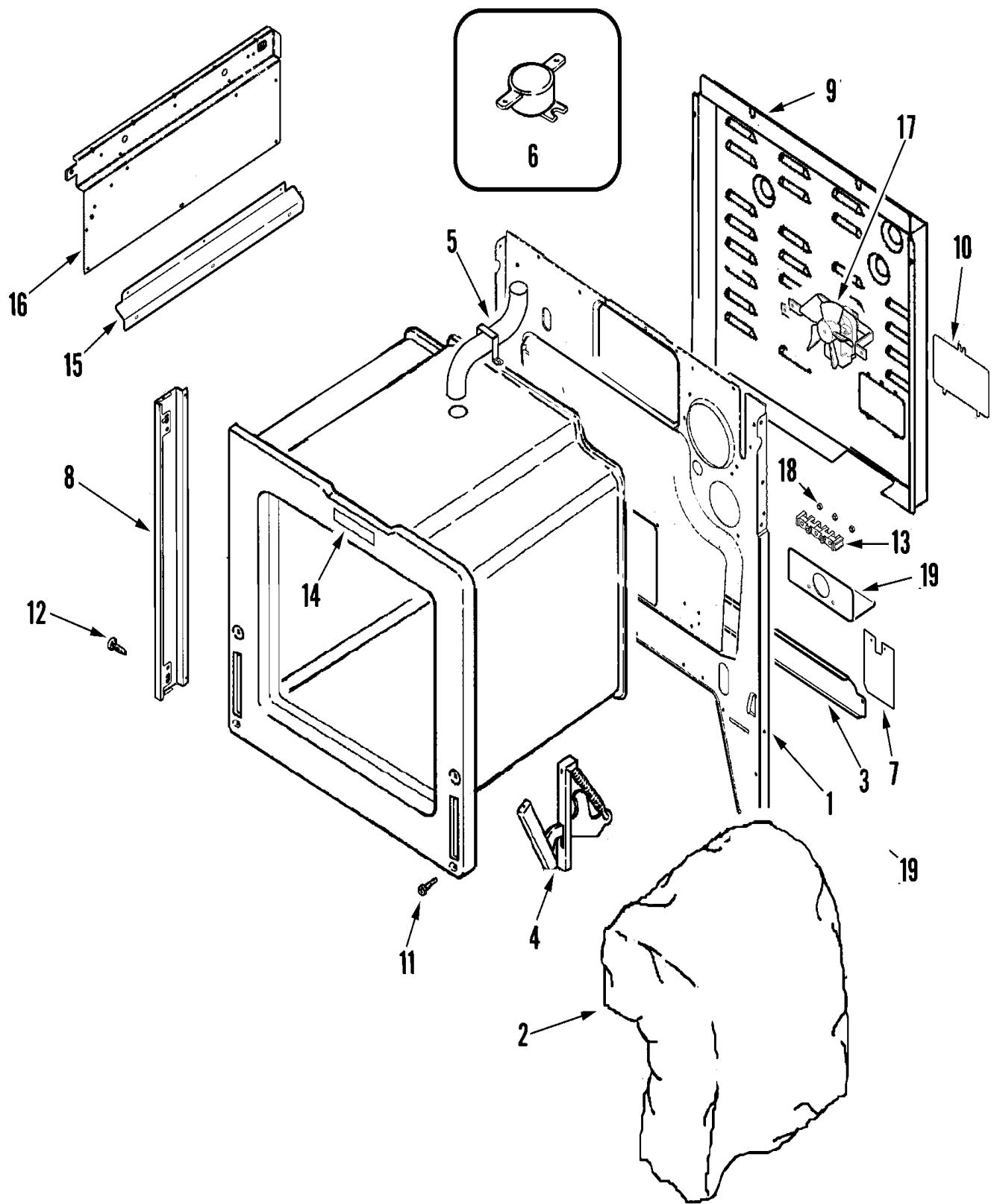
## Section: CONTROL PANEL/TOP ASY

No.	Part No.	Description	Series	Qty
1	74010888	PANEL, CONTROL (WHT)		10 1
-	7101P309-60	SCREW Note: SCREW (INFINITE SWITCH MTG)		10 4
2	7403P238-60	SWITCH, INFINITE (SML ELEMENT) Note: (RR/LF)		10 2
3	7403P239-60	SWITCH, INFINITE (LRG ELEMENT) Note: (RF/LR)		10 2
-	7101P309-60	SCREW Note: SCREW (INFINITE SWITCH MTG)		10 4
4	12001676	RECEPTACLE ASSY.--W		10 4
5	74004153	LIGHT, INDICATOR		10 2
6	7730P011-60	LENS, INDICATOR LIGHT		10 2
7	74004785	SUPPORT, MANIFOLD PANEL		10 1
8	74004821	CAP, END (WHT-RT)		10 1
8	74004822	CAP, END (WHT-LT)		10 1
9	74010895	TOP, MAIN (WHT)		10 1
10	74010689	CLOCK/OVERLAY (WHT)		10 1
11	74010846	SHIELD, CONTROL		10 1
12	74007156	ELEMENT, SURFACE (8") Note: ELEMENT (2500W) (RF/LR)		10 2
13	74007157	ELEMENT, SURFACE (6") Note: ELEMENT (1200W) (RR/LF)		10 2
14	74008733	KNOB (WHT)		10 4
15	74003357	SCREW (6ABX.25-ZN)		10 20
16	74005759	TUBE, VENT (UPR)		10 1
17	74003441	BOWL, DRIP (8" GRY-SOLID)		10 2
18	74003440	BOWL, DRIP (6" GRY-SOLID)		10 2
19	74008717	SWITCH, ROCKER (WHT)		10 2
20	74006046	BOTTOM, BURNER BOX		10 1
21	74010894	BRACKET, BURNER BOX		10 2

\*Color Code (-)=Not Shown #=Series, Serial Prefix or Run No., N=Not Available

Section: BODY

Model: AES1350BAW



C14-937

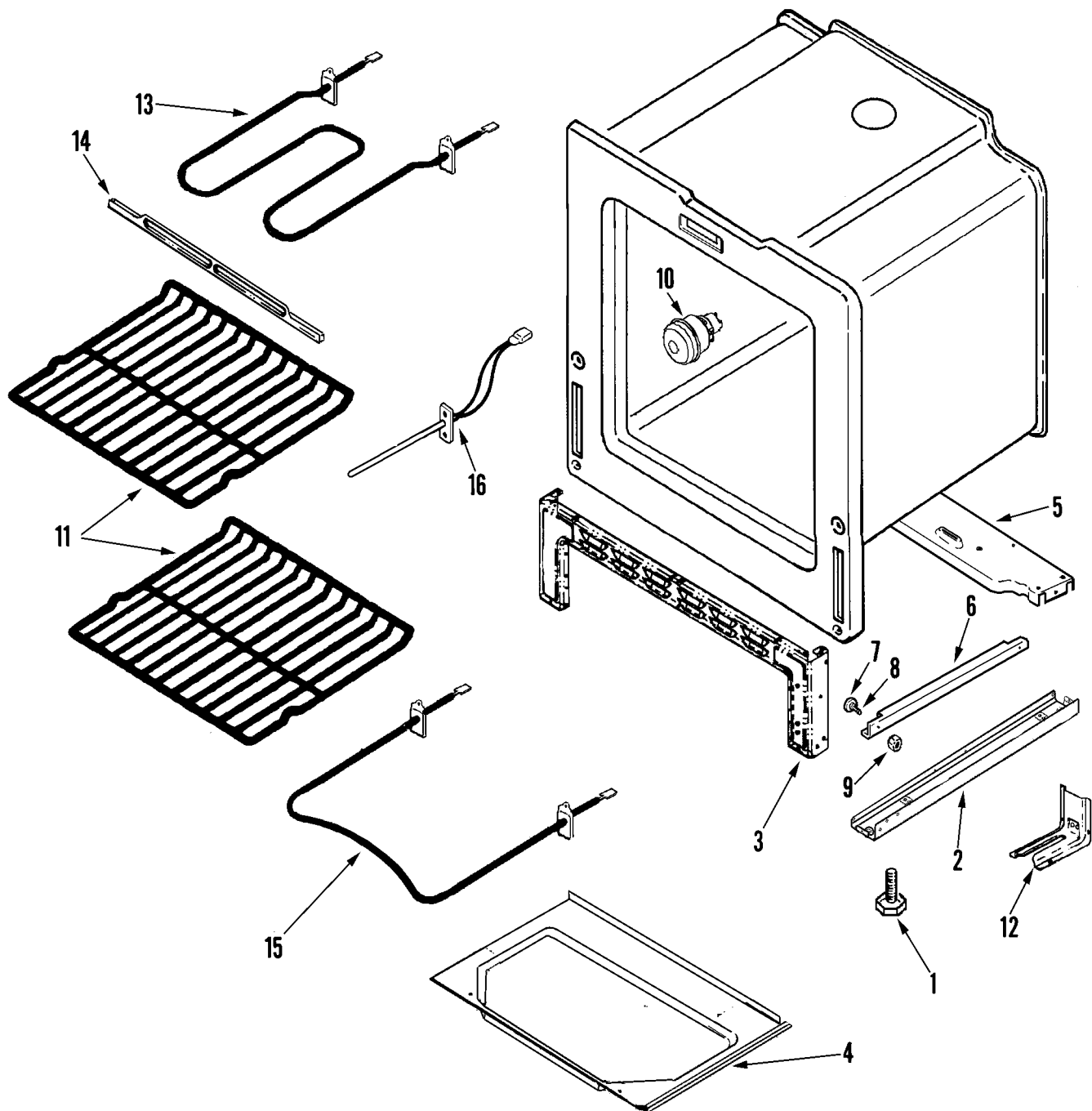
**Section: BODY**

No.	Part No.	Description	Series	Qty
1	74010949	BACK, MAIN	10	1
2	74010887	INSULATION, WRAPPER	10	1
3	74010815	EXTENSION, MAIN BACK	10	1
4	74011140	HINGE, OVEN DOOR	10	2
5	74010886	TUBE, VENT	10	1
-	74010817	HOLDER, VENT TUBE	10	1
6	74010818	SWITCH, HI-LIMIT	10	1
7	74006364	INSULATOR, POWER CORD	10	1
8	74010832	TRIM, SIDE (WHT)	10	2
9	74006096	COVER, WIRE (REAR)	10	1
10	74005264	COVER, TERMINAL BLOCK	10	1
11	7101P112-60	SCREW	10	4
12	74003976	SCREW, SHOULDER	10	4
13	7401P039-60	BLOCK, TERMINAL	10	1
14	74003406	PLUG, LOCK SLOT	10	1
15	74010820	EXTENSION, HEAT SHEILD	10	2
16	74010821	PANEL, SHIELD (LT)	10	1
16	74010822	PANEL, SHIELD (RT)	10	1
17	74010823	FAN, COOLING	10	1
18	7103P027-60	NUT, TERMINAL BLOCK	10	3
19	74004180	BRACKET, POWER SUPPLY	10	1

\*Color Code (-)=Not Shown #=Series, Serial Prefix or Run No., N=Not Available

Section: OVEN/BASE

Model: AES1350BAW



C12-565

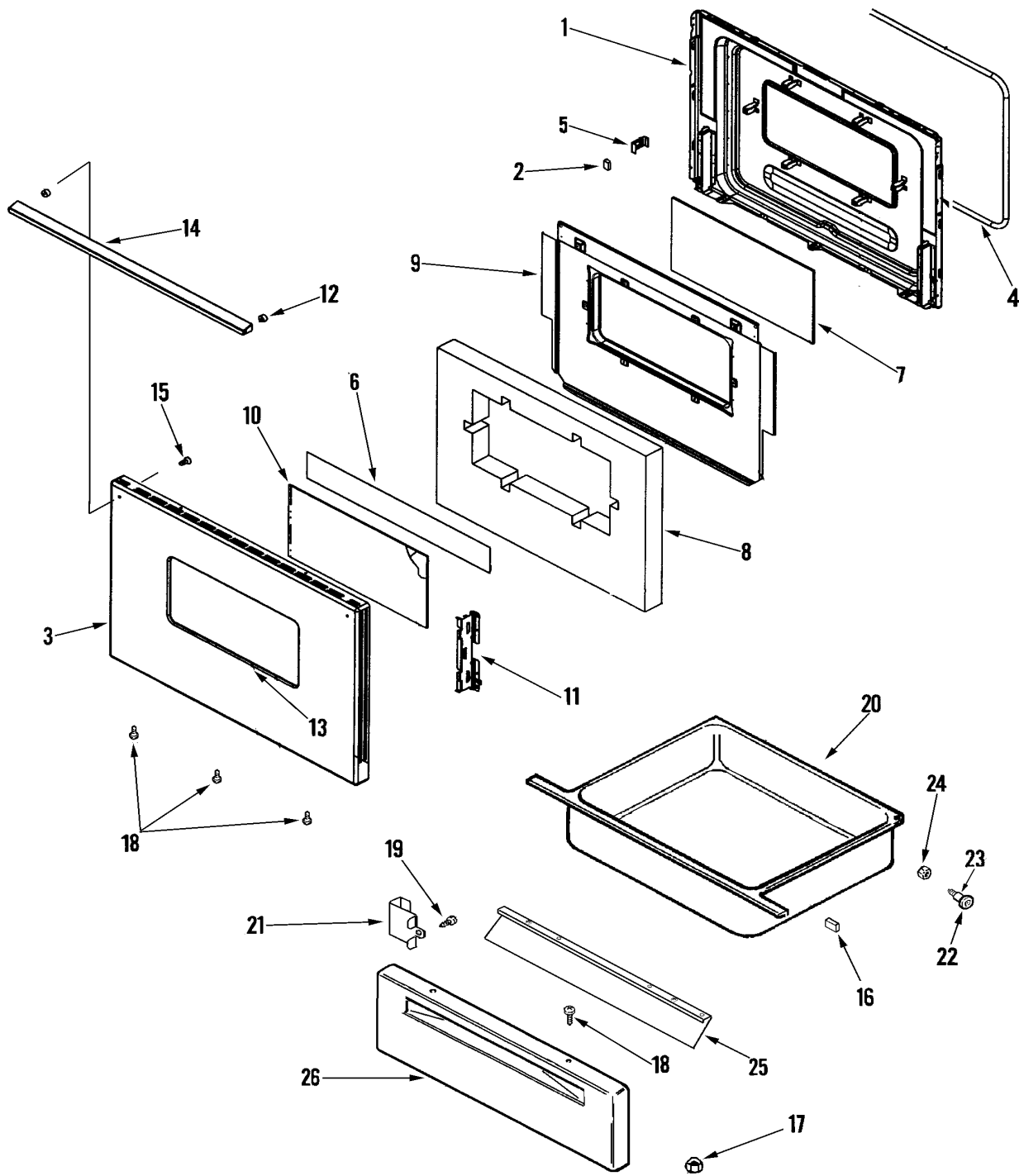
**Section: OVEN/BASE**

No.	Part No.	Description	Series	Qty
1	74010805	SCREW, LEVELING LEG	10	4
2	74010899	BOTTOM, PEDESTAL	10	2
3	74010882	PEDESTAL, FRONT	10	2
4	74006522	RETAINER, INSULATION (BOTTOM)	10	1
5	74007129	SUPPORT, VALVE REGULATOR	10	1
6	74003565	RUNNER, DRAWER	10	2
7	74004078	ROLLER, DRAWER	10	2
8	74005231	SHAFT, STORAGE DRAWER ROLLER	10	2
9	74005230	NUT, LOCK (8-32)	10	2
10	74010885	LAMP ASSEMBLY	10	1
-	7407P103-60	BULB, OVEN	10	1
11	74001757	RACK, OVEN	10	2
12	74005564	BRACKET, ANTI-TIP	10	1
-	7101P352-60	SCREW	10	2
13	74003041	ELEMENT, BROIL (4 PASS)	10	1
14	74003386	SUPPORT, BROIL ELEMENT	10	1
15	74010883	ELEMENT, BAKE	10	1
16	74004943	SENSOR, OVEN (LONG)	10	1

\*Color Code (-)=Not Shown #=Series, Serial Prefix or Run No., N=Not Available

Section: DOOR/DRAWER

Model: AES1350BAW



C11-884



## Section: DOOR/DRAWER

No.	Part No.	Description	Series	Qty
1	74009280	LINING, DOOR	10	1
2	74004224	TAPE, SINGLE SIDED (WHT)	10	2
3	74011025	PANEL, DOOR (WHT)	10	1
4	7201P046-60	GASKET, DOOR	10	1
5	7112P034-60	CLIP, DOOR	10	2
6	8270P090-60	TAPE, FOIL (3" WIDE)	10	1
7	74009281	GLASS, DOOR INNER	10	1
8	74001842	INSULATION, DOOR	10	1
9	74009528	BAFFLE, OVEN DOOR	10	1
10	74001072	GLASS, OUTER DOOR (BLK)	10	1
11	74003048	RETAINER, GLASS	10	2
12	8010P089-60	SPACER, HANDLE (WHT)	10	2
13	7201P017-60	GASKET, WINDOW	10	1
14	74007088	HANDLE, DOOR (WHT)	10	1
15	74002483	SCREW Note: (HANDLE MTG)	10	2
16	74005546	SPACER, RUBBER	10	2
17	74005230	NUT, LOCK (8-32)	10	2
18	74009540	SCREW (WHT)	10	7
19	74004310	SCREW, PANEL	10	2
20	74008333	DRAWER, STORAGE	10	1
21	74010896	BRACKET, DRAWER	10	2
22	74004078	ROLLER, DRAWER	10	2
23	74005231	SHAFT, STORAGE DRAWER ROLLER	10	2
24	7103P082-60	NUT	10	2
25	2404F030-51	LINING, DRAWER PANEL	10	1
26	74003407	PANEL, DRAWER (WHT)	10	1

\*Color Code (-)=Not Shown #=Series, Serial Prefix or Run No., N=Not Available

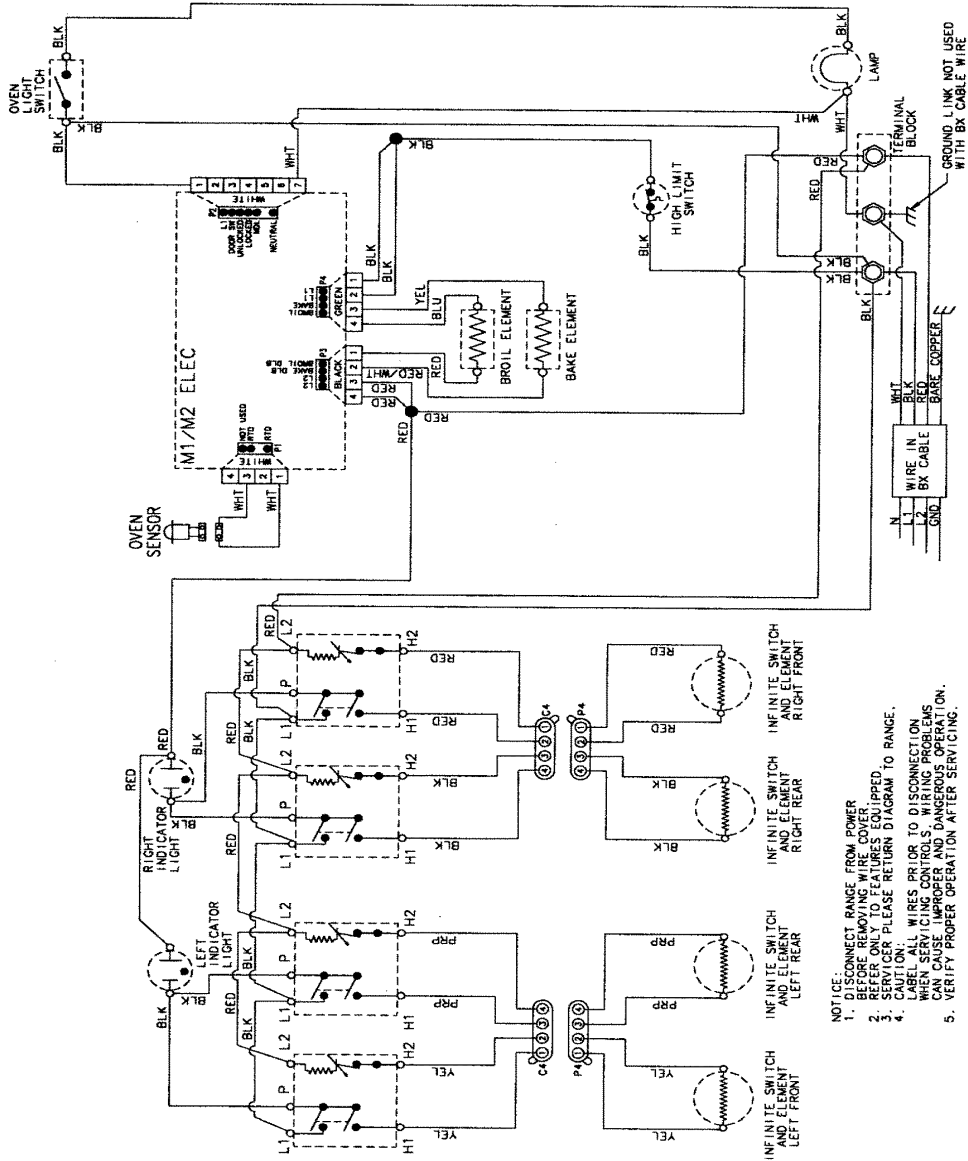
**Section: SUPPLEMENTAL INFORMATION**

No.	Part No.	Description	Series	Qty
-	8113P549-60	MANUAL, USE & CARE	11	1
-	8113P504-60	MANUAL, USE & CARE	10	1
-	74010889	HARNESS, MAIN	10	1
-	74010890	HARNESS, SENSOR	10	1
-	74010891	HARNESS, COIL TOP (RT)	10	1
-	74010892	HARNESS, COIL TOP (LT)	10	1
-	74010893	HARNESS, COIL TOP/ELEMENTS	10	1
-	K71FILLW	KIT, EXTRUSION FILLER (WHT)	10	1
-	UXA1100AAW	KIT, SIDE PANEL (WHT)	10	1

\*Color Code (-)=Not Shown #=Series, Serial Prefix or Run No., N=Not Available

Section: WIRING INFORMATION

Model: AES1350BAW



- NOTICE:
1. DISCONNECT RANGE FROM POWER BEFORE REMOVING WIRE COVER.
  2. REFER ONLY TO FEATURES EQUIPPED TO RANGE.
  3. SERVICER PLEASE RETURN DIAGRAM TO RANGE.
  4. LABEL ALL WIRES PRIOR TO DISCONNECTION WHEN SERVICING CONTROLS. WIRING PROBLEMS CAN CAUSE IMPROPER AND DANGEROUS OPERATION.
  5. VERIFY PROPER OPERATION AFTER SERVICING.

15003704

