

# Repair Parts List

MODEL NUMBER

AES5730BAF

## RANGE

When requesting service or ordering parts, always provide the following information:

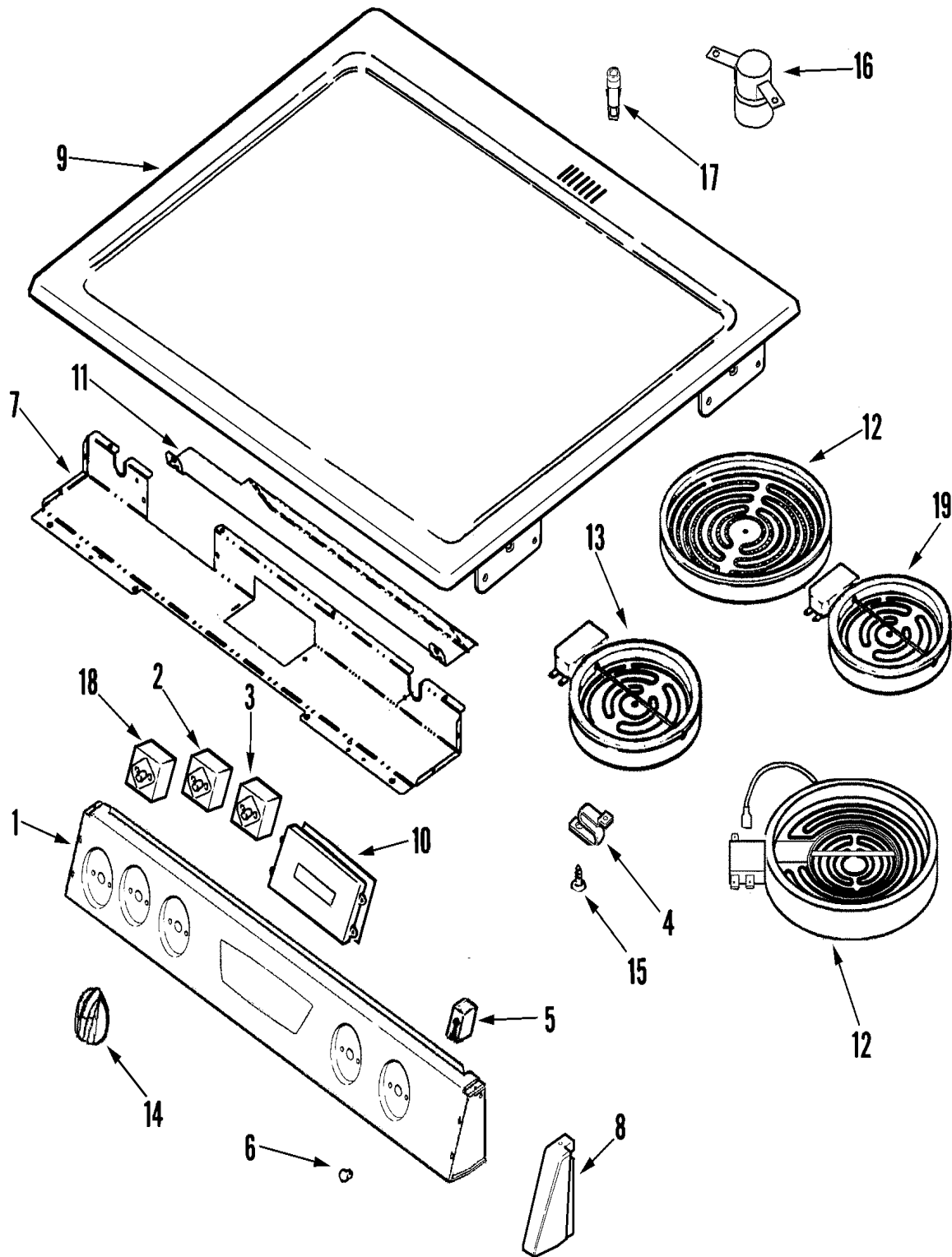
- Product Type
- Part Number
- Model Number
- Part Description

**MAYTAG**®

©2005 Maytag Services

Section: CONTROL PANEL/TOP ASY

Model: AES5730BAF



C10-677

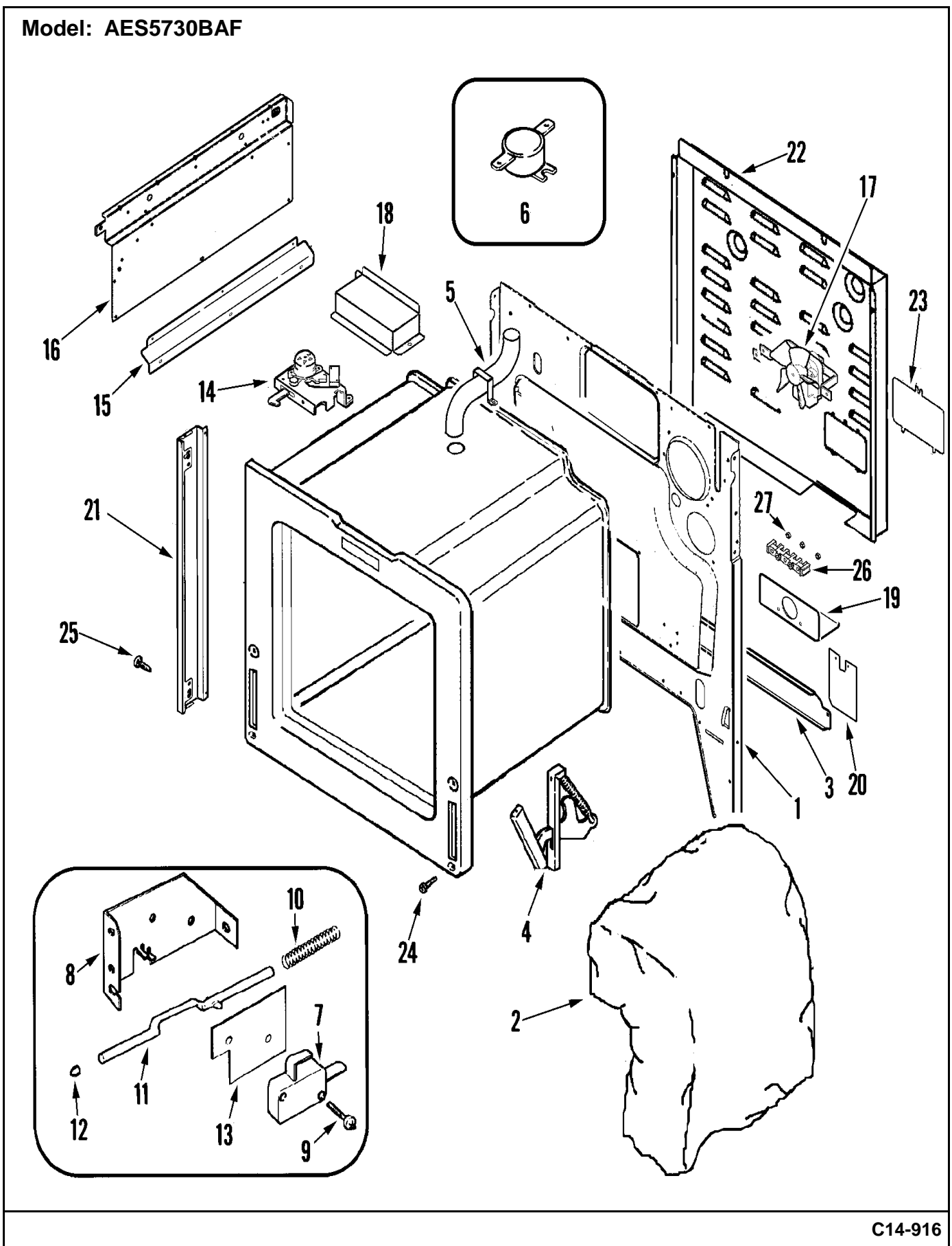
**Section: CONTROL PANEL/TOP ASY**

| No. | Part No.    | Description                    | Series | Qty |
|-----|-------------|--------------------------------|--------|-----|
| 1   | 74010828    | PANEL, CONTROL (WHT)           | 10     | 1   |
| 2   | 7403P238-60 | SWITCH, INFINITE (SML ELEMENT) | 10     | 2   |
| 3   | 74010824    | SWITCH, ELEMENT (LRG)          | 10     | 2   |
| 4   | 74007845    | SUPPORT, ELEMENT               | 10     | 10  |
| 5   | 74004153    | LIGHT, INDICATOR               | 10     | 2   |
| 6   | 7730P011-60 | LENS, INDICATOR LIGHT          | 10     | 2   |
| 7   | 74010826    | SUPPORT, CONTROL PANEL         | 10     | 1   |
| 8   | 74004821    | CAP, END (WHT-RT)              | 10     | 1   |
| 8   | 74004822    | CAP, END (WHT-LT)              | 10     | 1   |
| 9   | 74010659    | TOP ASSEMBLY (WHT)             | 10     | 1   |
| 10  | 74010954    | CLOCK/OVERLAY (WHT)            | 10     | 1   |
| -   | 74004288    | SCREW (6ABX3/8-SN)             | 10     | 4   |
| 11  | 74010846    | SHIELD, CONTROL                | 10     | 1   |
| 12  | 74008897    | ELEMENT, DUAL (2400W)          | 10     | 2   |
| 13  | 74008568    | ELEMENT (1200W)                | 10     | 2   |
| 14  | 74008733    | KNOB (WHT)                     | 10     | 5   |
| 15  | 74003357    | SCREW (6ABX.25-ZN)             | 10     | 20  |
| 16  | 74005759    | TUBE, VENT (UPR)               | 10     | 1   |
| 17  | 74011799    | LIGHT, INDICATOR               | 10     | 1   |
| 18  | 74010825    | SWITCH, ELEMENT (WARM ZONE)    | 10     | 1   |
| 19  | 74008898    | ELEMENT, WARMING               | 10     | 1   |

\*Color Code (-)=Not Shown #=Series, Serial Prefix or Run No., N=Not Available

Section: BODY

Model: AES5730BAF



C14-916

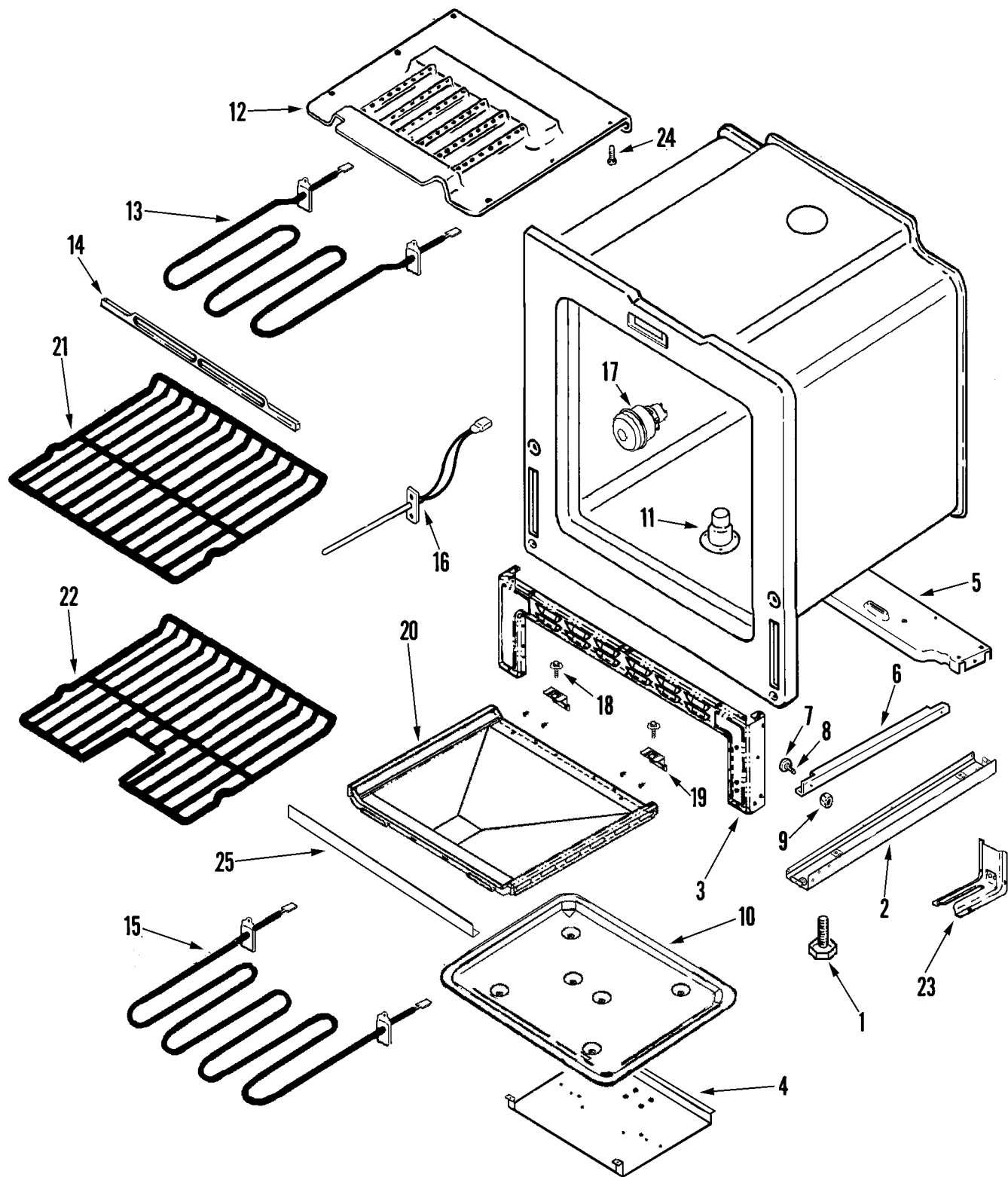
## Section: BODY

| No. | Part No.    | Description              | Series | Qty |
|-----|-------------|--------------------------|--------|-----|
| 1   | 74010949    | BACK, MAIN               | 10     | 1   |
| 2   | 74010813    | INSULATION, WRAPPER      | 10     | 1   |
| 3   | 74010815    | EXTENSION, MAIN BACK     | 10     | 1   |
| 4   | 74005725    | HINGE, DOOR              | 10     | 2   |
| -   | 74010817    | HOLDER, VENT TUBE        | 10     | 1   |
| 5   | 74010816    | TUBE, VENT               | 10     | 1   |
| 6   | 74010818    | SWITCH, HI-LIMIT         | 10     | 1   |
| 7   | 74008263    | SWITCH, DOOR LOCK        | 10     | 1   |
| 8   | 74001632    | BRACKET, SWITCH ACTUATOR | 10     | 1   |
| 9   | 22002368    | SCREW----NA              | 10     | 2   |
| 10  | 74001629    | SPRING, DOOR SWITCH      | 10     | 1   |
| 11  | 74003562    | ROD, DOOR LIGHT SWITCH   | 10     | 1   |
| 12  | 74001631    | BUMPER, ROD              | 10     | 1   |
| 13  | 74008264    | INSULATOR                | 10     | 1   |
| 14  | 74010819    | LATCH ASY                | 10     | 1   |
| 15  | 74010820    | EXTENSION, HEAT SHEILD   | 10     | 1   |
| 16  | 74010821    | PANEL, SHIELD (LT)       | 10     | 1   |
| 16  | 74010822    | PANEL, SHIELD (RT)       | 10     | 1   |
| 17  | 74010823    | FAN, COOLING             | 10     | 1   |
| 18  | 74010845    | COVER, DOOR LATCH        | 10     | 1   |
| 19  | 74004180    | BRACKET, POWER SUPPLY    | 10     | 1   |
| 20  | 74006364    | INSULATOR, POWER CORD    | 10     | 1   |
| 21  | 74010832    | TRIM, SIDE (WHT)         | 10     | 2   |
| 22  | 74006096    | COVER, WIRE (REAR)       | 10     | 1   |
| 23  | 74005264    | COVER, TERMINAL BLOCK    | 10     | 1   |
| 24  | 7101P112-60 | SCREW                    | 10     | 4   |
| 25  | 74003976    | SCREW, SHOULDER          | 10     | 4   |
| 26  | 7401P039-60 | BLOCK, TERMINAL          | 10     | 1   |

\*Color Code (-)=Not Shown #=Series, Serial Prefix or Run No., N=Not Available

Section: OVEN/BASE

Model: AES5730BAF



C12-532

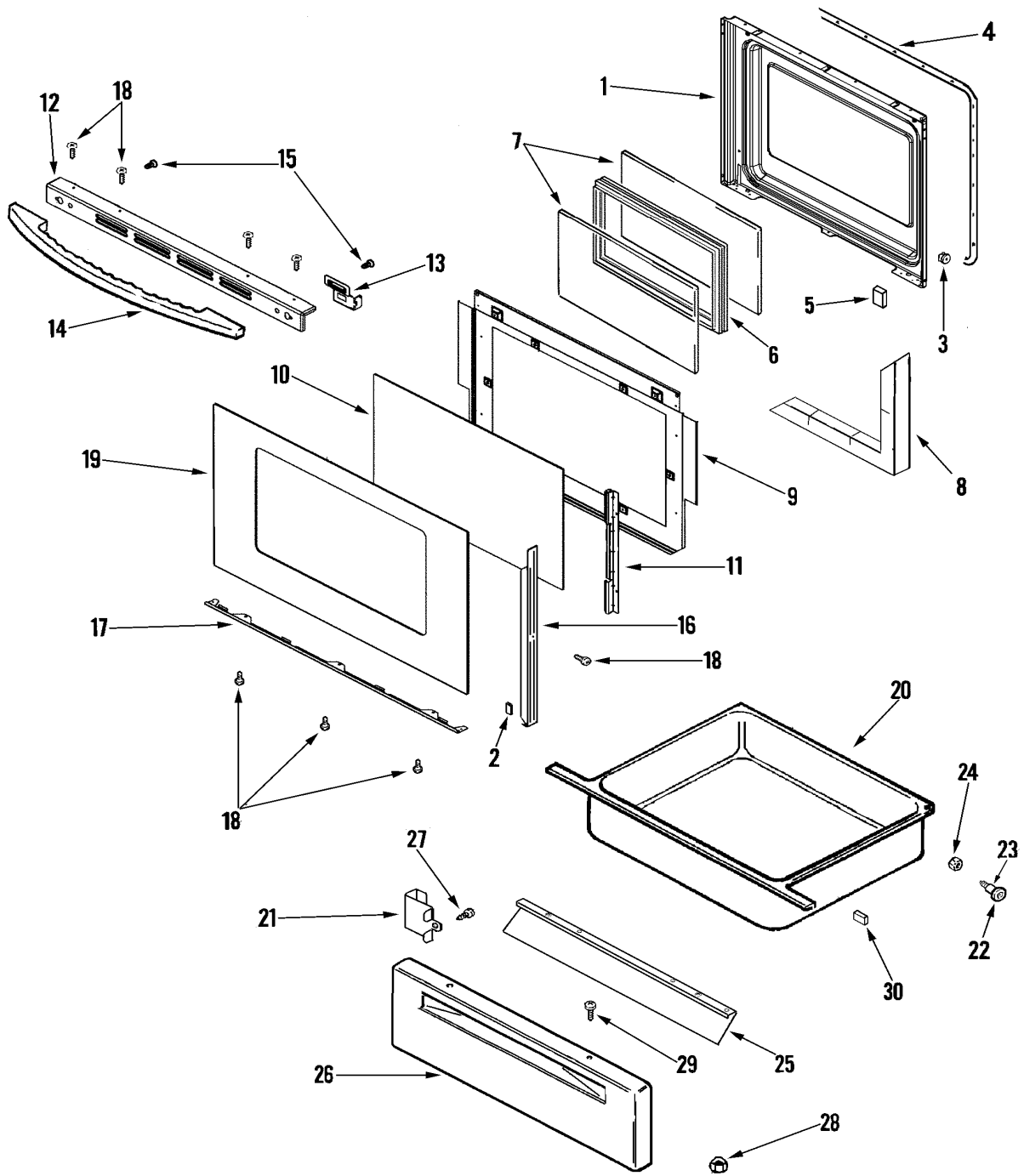
## Section: OVEN/BASE

| No. | Part No.    | Description                  | Series | Qty |
|-----|-------------|------------------------------|--------|-----|
| 1   | 74010805    | SCREW, LEVELING LEG          | 10     | 4   |
| 2   | 74010899    | BOTTOM, PEDESTAL             | 10     | 2   |
| 3   | 74010882    | PEDESTAL, FRONT              | 10     | 2   |
| 4   | 74006591    | SHIELD, WARMING DRAWER       | 10     | 1   |
| 5   | 74007129    | SUPPORT, VALVE REGULATOR     | 10     | 1   |
| 6   | 74003565    | RUNNER, DRAWER               | 10     | 2   |
| 7   | 74004078    | ROLLER, DRAWER               | 10     | 2   |
| 8   | 74005231    | SHAFT, STORAGE DRAWER ROLLER | 10     | 2   |
| 9   | 74005230    | NUT, LOCK (8-32)             | 10     | 2   |
| 10  | 74010806    | PAN, BAKE                    | 10     | 1   |
| 11  | 74010808    | TUBE, VENT (LWR)             | 10     | 1   |
| -   | 74010809    | PLATE, VENT COVER            | 10     | 1   |
| 12  | 74010810    | BAFFLE, BROIL                | 10     | 1   |
| 13  | 74003040    | ELEMENT, BROIL (6 PASS)      | 10     | 1   |
| 14  | 74003563    | SUPPORT, BROIL ELEMENT       | 10     | 1   |
| 15  | 74010811    | ELEMENT, BAKE                | 10     | 1   |
| 16  | 74004943    | SENSOR, OVEN (LONG)          | 10     | 1   |
| 17  | 74010885    | LAMP ASSEMBLY                | 10     | 1   |
| -   | 7407P103-60 | BULB, OVEN                   | 10     | 1   |
| 18  | 74003976    | SCREW, SHOULDER              | 10     | 2   |
| 19  | 74010812    | SUPPORT, OVEN BOTTOM         | 10     | 2   |
| 20  | 74010853    | BOTTOM, OVEN                 | 10     | 1   |
| 21  | 74001757    | RACK, OVEN                   | 10     | 1   |
| 22  | 74009527    | RACK, SMART & EASY (30")     | 10     | 1   |
| -   | 7101P352-60 | SCREW                        | 10     | 2   |
| 23  | 74005564    | BRACKET, ANTI-TIP            | 10     | 1   |
| 24  | 7101P124-60 | SCREW W/WASHER               | 10     | 6   |
| 25  | 74010807    | COVER, FRONT                 | 10     | 1   |

\*Color Code (-)=Not Shown #=Series, Serial Prefix or Run No., N=Not Available

Section: DOOR/DRAWER

Model: AES5730BAF



C11-868



## Section: DOOR/DRAWER

| No. | Part No.    | Description                  | Series | Qty |
|-----|-------------|------------------------------|--------|-----|
| 1   | 74003642    | LINING, DOOR                 | 10     | 1   |
| 2   | 74004224    | TAPE, SINGLE SIDED (WHT)     | 10     | 2   |
| 3   | 74001574    | NUT, SNAP (ROUND-BLK)        | 10     | 4   |
| 4   | 7201P046-60 | GASKET, DOOR                 | 10     | 1   |
| 5   | 74005546    | SPACER, RUBBER               | 10     | 2   |
| 6   | 74003644    | FRAME, GLASS                 | 10     | 1   |
| 7   | 74003645    | GLASS, INNER                 | 10     | 2   |
| 8   | 74003647    | INSULATION, OVEN DOOR        | 10     | 2   |
| 9   | 74009502    | BAFFLE, OVEN DOOR            | 10     | 1   |
| 10  | 74004857    | GLASS W/TAPE ASSY            | 10     | 1   |
| 11  | 74003650    | RETAINER, GLASS              | 10     | 2   |
| 12  | 74009690    | TRIM, DOOR TOP (WHT)         | 10     | 1   |
| 13  | 74009698    | BRACKET, DOOR HANDLE (RT)    | 10     | 1   |
| 13  | 74009699    | BRACKET, DOOR HANDLE (LT)    | 10     | 1   |
| 14  | 74008322    | HANDLE, DOOR (WHT)           | 10     | 1   |
| 15  | 74006635    | SCREW W/WASHER (HANDLE MTG)  | 10     | 2   |
| 16  | 12002358    | KIT, DOOR TRIM (WHT)         | 10     | 1   |
| 17  | 74009687    | SUPPORT, GLASS (WHT)         | 10     | 1   |
| 18  | 74009540    | SCREW (WHT)                  | 10     | 9   |
| 19  | 12002396    | KIT, DOOR GLASS (WHT)        | 10     | 1   |
| 20  | 74008333    | DRAWER, STORAGE              | 10     | 1   |
| 21  | 74010896    | BRACKET, DRAWER              | 10     | 2   |
| 22  | 74004078    | ROLLER, DRAWER               | 10     | 2   |
| 23  | 74005231    | SHAFT, STORAGE DRAWER ROLLER | 10     | 2   |
| 24  | 7103P082-60 | NUT                          | 10     | 2   |
| 25  | 2404F030-51 | LINING, DRAWER PANEL         | 10     | 1   |
| 26  | 74003407    | PANEL, DRAWER (WHT)          | 10     | 1   |
| 27  | 74004310    | SCREW, PANEL                 | 10     | 2   |
| 28  | 74005230    | NUT, LOCK (8-32)             | 10     | 2   |
| 29  | 74009540    | SCREW (WHT)                  | 10     | 2   |
| 30  | 74005546    | SPACER, RUBBER               | 10     | 2   |

\*Color Code (-)=Not Shown #=Series, Serial Prefix or Run No., N=Not Available

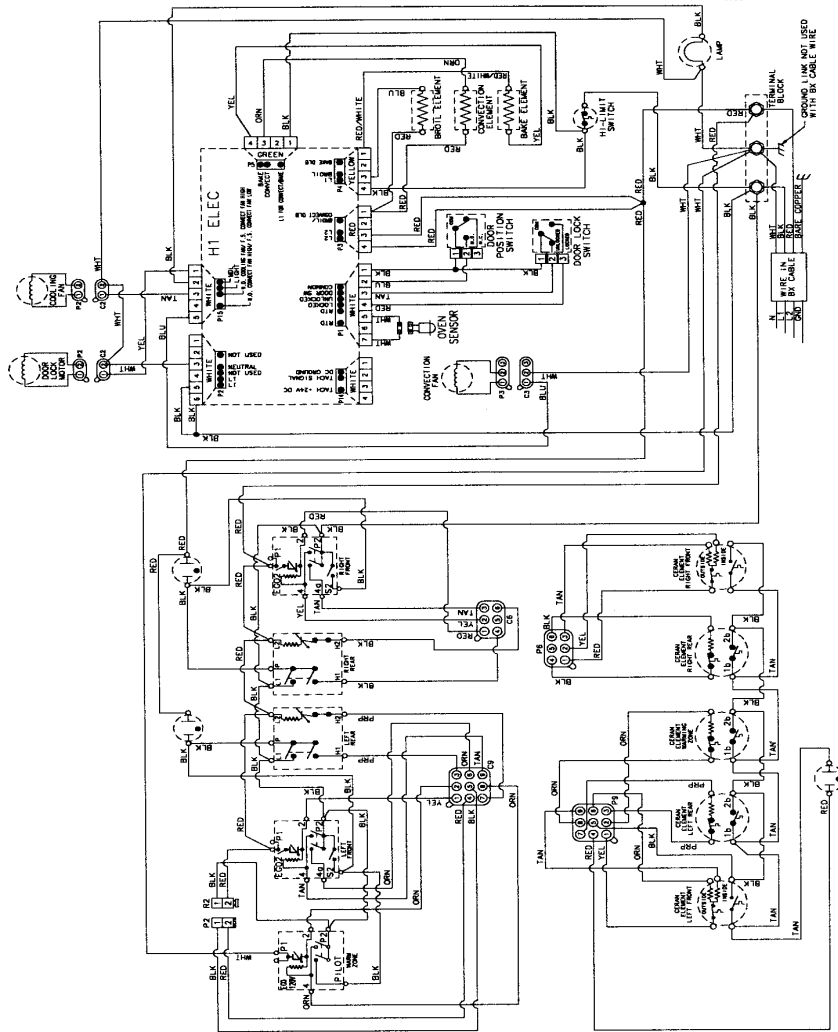
**Section: SUPPLEMENTAL INFORMATION**

| No. | Part No.    | Description   | Series | Qty |
|-----|-------------|---|--------|-----|
| -   | 8113P551-60 | MANUAL, USE & CARE  | 11     | 1   |
| -   | 8113P522-60 | MANUAL, USE & CARE  | 10     | 1   |
| -   | 74011085    | HARNESS, MAIN   | 10     | 1   |
| -   | 74010850    | HARNESS, SWICH (RT)   | 10     | 1   |
| -   | 74010849    | HARNESS, SENSOR/LATCH   | 10     | 1   |
| -   | 74010851    | HARNESS, SWITCH (LT)  | 10     | 1   |
| -   | 74010852    | HARNESS, TOP ASY ??   | 10     | 1   |
| -   | 74006500    | SCRAPER, RAZOR (METAL)  | 10     | 1   |
| -   | 20000001    | COOKTOP CLEANING CREME  | 10     | 1   |
| -   | W10124350   | NOT REQUIRED PART OR SEE NOTE Note: ACCESSORY FILLER KITS     | 10     | 0   |
| -   | K71FILLW    | KIT, EXTRUSION FILLER (WHT)                                   | 10     | 1   |
| -   | W10124350   | NOT REQUIRED PART OR SEE NOTE Note: ACCESSORY SIDE PANEL KITS | 10     | 0   |
| -   | UXA1100AAW  | KIT, SIDE PANEL (WHT)   | 10     | 1   |
| -   | W10124350   | NOT REQUIRED PART OR SEE NOTE Note: ACCESSORY SIDE TRIM PLUGS | 10     | 0   |
| -   | 74011436    | PLUG, SIDE TRIM (BSQ)   | 10     | 8   |
| -   | 74011435    | PLUG, SIDE TRIM (WHT)   | 10     | 8   |

\*Color Code (-)=Not Shown #=Series, Serial Prefix or Run No., N=Not Available

Section: WIRING INFORMATION

Model: AES5730BAF



15003698

