

# Repair Parts List

MODEL NUMBER

AGS5730BDW

## RANGE

When requesting service or ordering parts, always provide the following information:

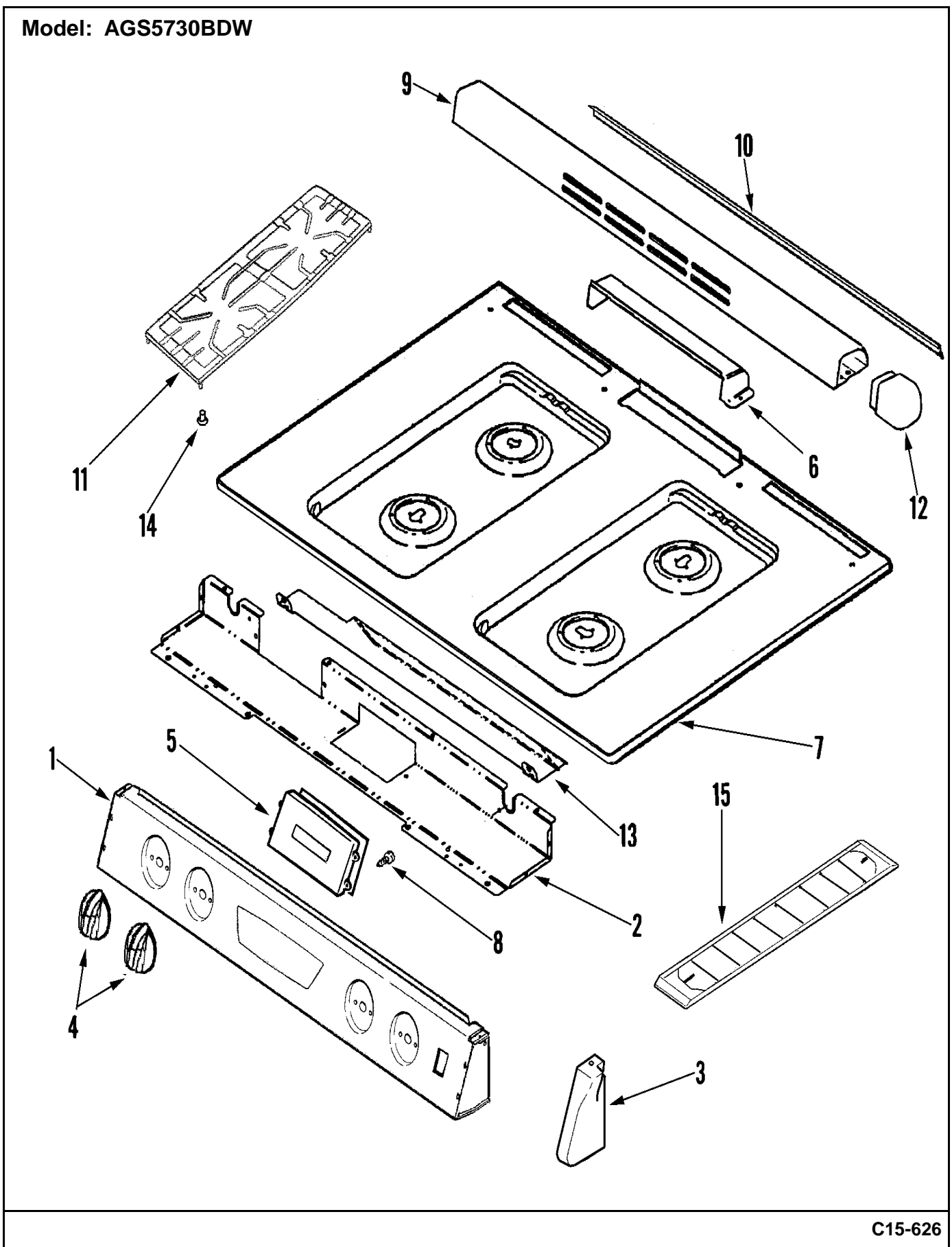
- Product Type
- Part Number
- Model Number
- Part Description

**MAYTAG**®

©2005 Maytag Services

Section: CONTROL PANEL/TOP ASSEMBLY

Model: AGS5730BDW



C15-626

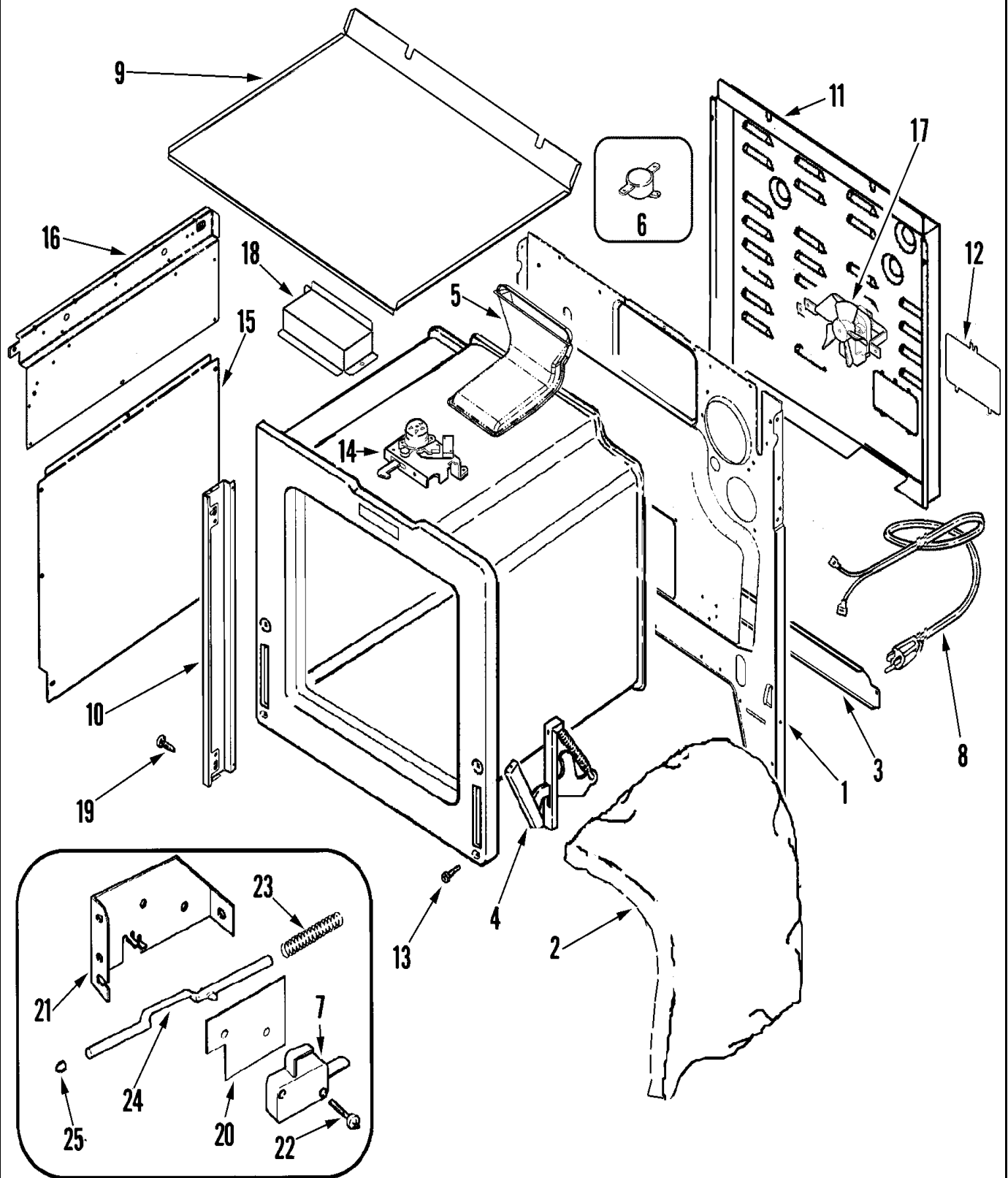
**Section: CONTROL PANEL/TOP ASSEMBLY**

No.	Part No.	Description	Series	Qty
1	74010921	PANEL, CONTROL (WHT)	10	1
2	74010826	SUPPORT, CONTROL PANEL	10	1
3	74004821	CAP, END (WHT-RT)	10	1
3	74004822	CAP, END (WHT-LT)	10	1
4	74010927	KNOB, BURNER (WHT)	10	4
-	74010979	BRACKET, CLOCK MTG	10	1
5	74010957	CLOCK/OVERLAY (WHT)	10	1
6	3601F221-45	BAFFLE, VENT COVER	10	1
7	74010917	TOP, MAIN (WHT)	10	1
8	74004005	SCREW, 6-32 X 5/16"	10	4
9	74010947	COVER, VENT (ALUM ALLOY)	10	1
10	7201P061-60	GASKET	10	1
11	74007865	GRATE, DOUBLE (GRY)	10	2
12	74004291	END CAP, VENT (LT-GRY)	10	1
12	74004290	END CAP, VENT (RT-GRY)	10	1
13	74010846	SHIELD, CONTROL	10	1
-	M0275597	SEALER, RTV CLEAR	10	1
14	74007356	BUMPER, GRATE BOTTOM	10	4
15	74009039	GRATE, TRIVET (GRY)	10	1

\*Color Code (-)=Not Shown #=Series, Serial Prefix or Run No., N=Not Available

Section: BODY

Model: AGS5730BDW



C14-924

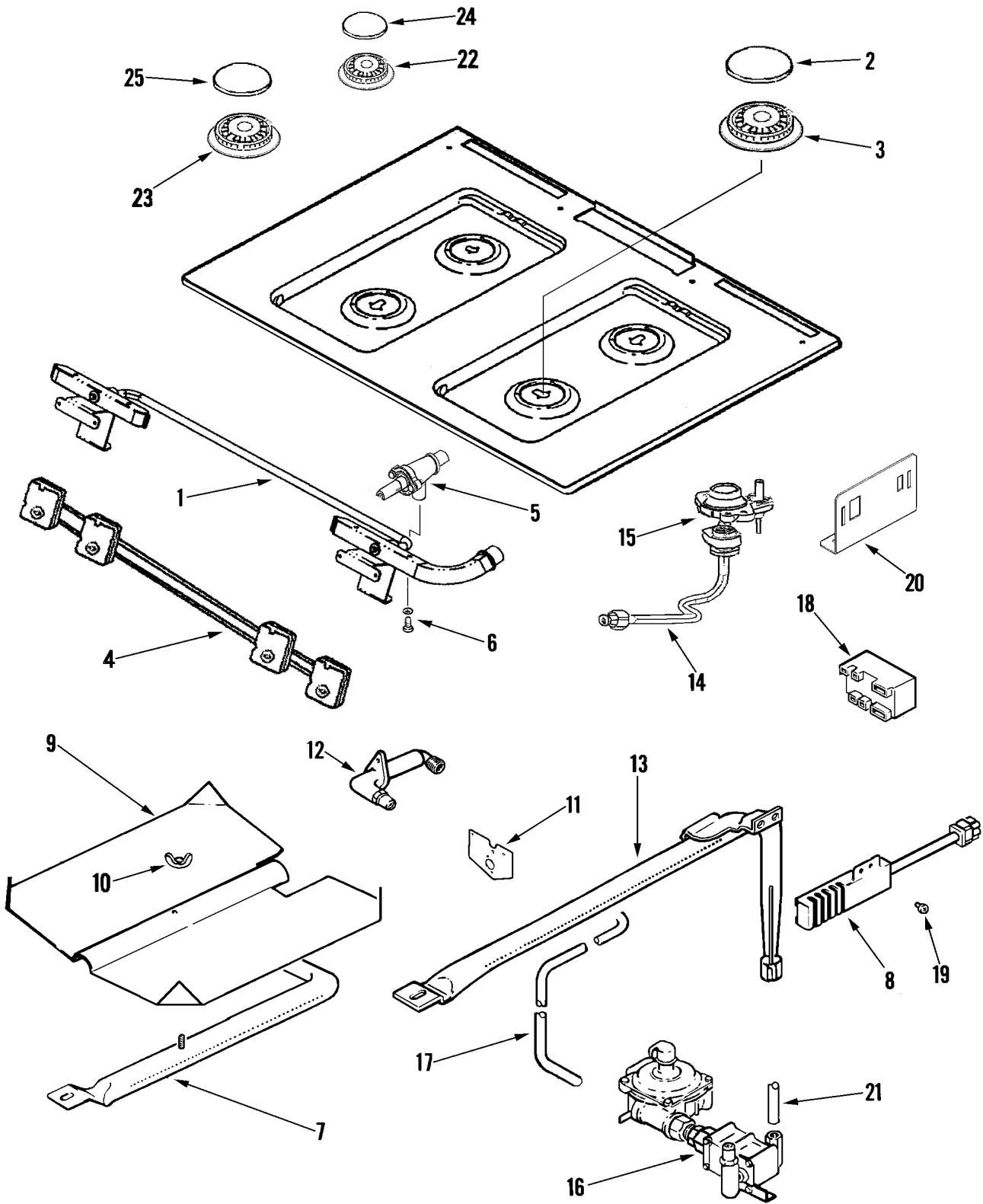
**Section: BODY**

No.	Part No.	Description	Series	Qty
1	74010949	BACK, MAIN	10	1
2	74010987	INSULATION, WRAPPER	10	1
3	74010815	EXTENSION, MAIN BACK	10	1
4	74011142	HINGE, OVEN DOOR	10	2
5	74010959	VENT	10	1
6	74010904	SWITCH, LIMIT	10	1
7	74008263	SWITCH, DOOR LOCK	10	1
8	74004295	CORD, POWER	10	1
9	74010906	BOTTOM, BURNER BOX	10	1
10	74010832	TRIM, SIDE (WHT)	10	2
11	74006096	COVER, WIRE (REAR)	10	1
12	74005264	COVER, TERMINAL BLOCK	10	1
13	7101P112-60	SCREW	10	4
14	74010819	LATCH ASY	10	1
15	74010905	SHEILD, LOWER SIDE	10	2
16	74010821	PANEL, SHIELD (LT)	10	1
16	74010822	PANEL, SHIELD (RT)	10	1
17	74010823	FAN, COOLING	10	1
18	74010845	COVER, DOOR LATCH	10	1
19	74003976	SCREW, SHOULDER	10	4
20	74008264	INSULATOR	10	1
21	74001632	BRACKET, SWITCH ACTUATOR	10	1
22	22002368	SCREW---NA	10	2
23	74001629	SPRING, DOOR SWITCH	10	1
24	74003562	ROD, DOOR LIGHT SWITCH	10	1
25	74001631	BUMPER, ROD	10	1

\*Color Code (-)=Not Shown #=Series, Serial Prefix or Run No., N=Not Available

Section: GAS CONTROLS

Model: AGS5730BDW



C13-277

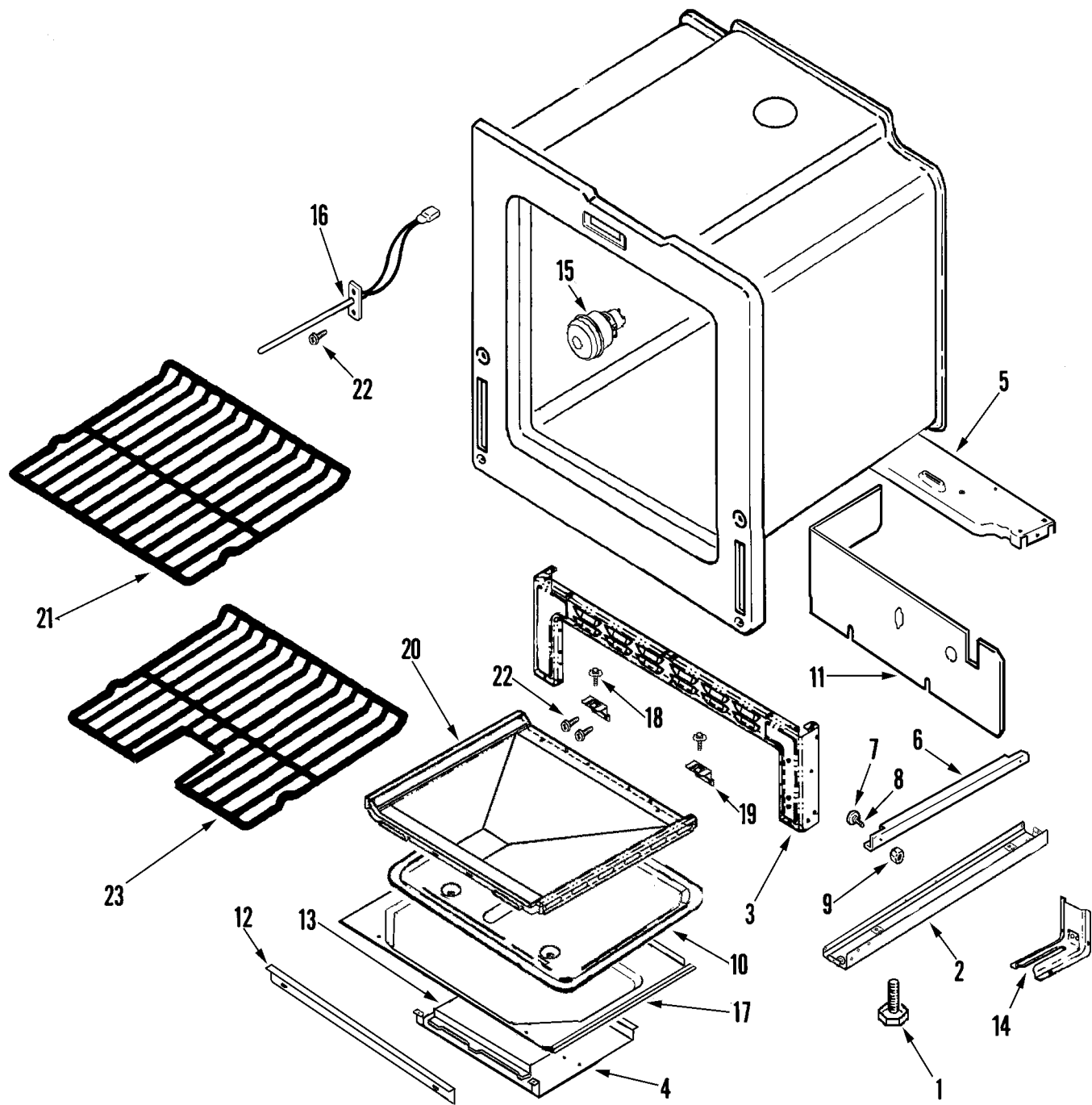
## Section: GAS CONTROLS

No.	Part No.	Description	Series	Qty
1	74010965	MANIFOLD PIPE ASY.	10	1
2	74007420	CAP, BURNER (LRG-GRY)	10	1
3	74007413	BASE, BURNER (16K) Note: BASE, BURNER (RF)	10	1
4	74010915	SWITCH/HARNESS ASSEMBLY	10	1
5	74009451	VALVE, 5K (MUELLER) Note: VALVE, BURNER (LR)	10	1
5	74009453	VALVE, 16K (MUELLER) Note: VALVE, BURNER (RF)	10	1
5	74009452	VALVE, 9K (MUELLER) Note: VALVE, BURNER (RR/LF)	10	2
6	74009416	SCREW	10	4
7	74004076	BURNER, BROIL	10	1
8	74007498	IGNITER, OVEN --W	10	2
9	3601F217-47	BAFFLE, BROIL BURNER	10	1
10	7103P030-60	NUT, WING	10	1
11	74004307	PLATE, BROIL FITTING	10	1
12	74010901	FITTING, BROIL	10	1
-	3807F446-45	SUPPORT, BURNER	10	1
13	74003960	BURNER, BAKE	10	1
14	74011131	TUBING, BURNER (RF)	10	1
14	74011133	TUBING, BURNER (RR)	10	1
14	74011134	TUBING, BURNER (LR)	10	1
14	74011132	TUBING, BURNER (LF)	10	1
-	74011755	IGNITER/BACKET ASY	10	4
15	74010909	HOLDER, ORIFICE (9.2K) Note: HOLDER, ORIFICE (9.2K-LF/RR)	10	2
15	74010907	HOLDER, ORIFICE (16K) Note: HOLDER, ORIFICE (16K-RF)	10	1
15	74010908	HOLDER, ORIFICE (5K) Note: HOLDER, ORIFICE (5K-LR)	10	1
16	Y74010900	OVEN VALVE/REG ASSEMBLY	10	1
17	74004408	TUBING (3/8")	10	1
18	74004283	MODULE, SPARK (4+0)	10	1
19	7101P282-60	SCREW (10-24X5/16-NI)	10	4
20	74007020	SUPPORT, SPARK MODULE	10	1
21	74010944	TUBING, SUPPLY	10	1
22	74007411	BASE, BURNER (5K) Note: BASE, BURNER (LR)	10	1
23	74007698	BASE, BURNER (LRG/BLK) Note: BASE, BURNER (RR/LF)	10	2
24	74007422	CAP, BURNER (SMR-GRY)	10	1
25	74007752	CAP, BURNER (MED-GRY)	10	2

\*Color Code (-)=Not Shown #=Series, Serial Prefix or Run No., N=Not Available

Section: OVEN/BASE

Model: AGS5730BDW



C12-550



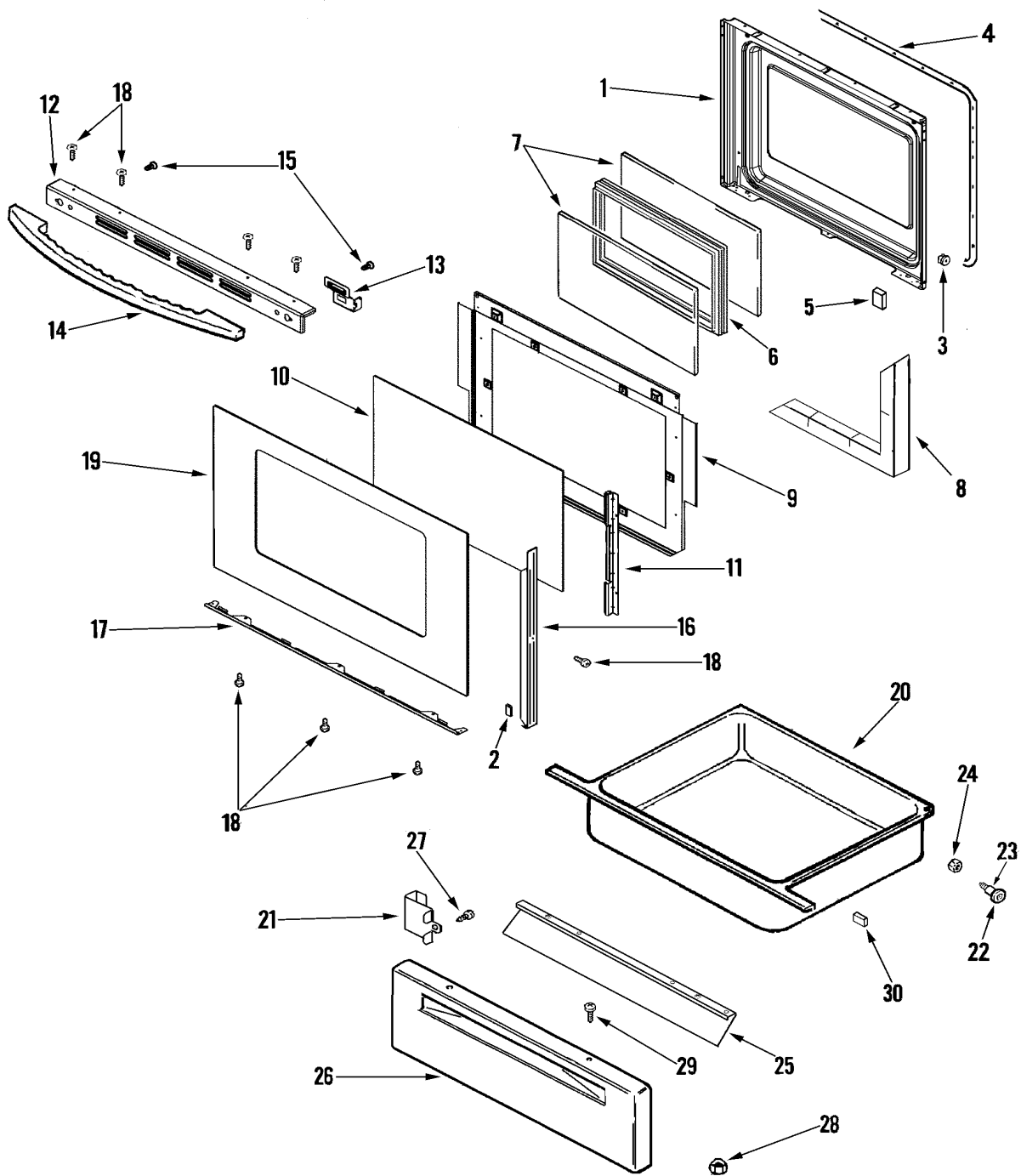
**Section: OVEN/BASE**

No.	Part No.	Description	Series	Qty
1	74010805	SCREW, LEVELING LEG	10	4
2	74010899	BOTTOM, PEDESTAL	10	2
3	74010882	PEDESTAL, FRONT	10	2
4	74006591	SHIELD, WARMING DRAWER	10	1
5	74007129	SUPPORT, VALVE REGULATOR	10	1
6	74003565	RUNNER, DRAWER	10	2
7	74004078	ROLLER, DRAWER	10	2
8	74005231	SHAFT, STORAGE DRAWER ROLLER	10	2
9	74005230	NUT, LOCK (8-32)	10	2
10	74004465	PAN, BAKE BURNER	10	1
11	74005465	COVER, VALVE/REGULATOR	10	1
12	74001219	BAFFLE, OVEN FRONT	10	1
13	74006574	SHIELD, HEAT POUCH	10	1
14	74005564	BRACKET, ANTI-TIP	10	1
15	74010885	LAMP ASSEMBLY	10	1
-	7407P103-60	BULB, OVEN	10	1
16	74004944	SENSOR, OVEN (SHORT)	10	1
17	74009480	RETAINER, BOTTOM INSULATION	10	1
-	74010986	INSULATION, OVEN BOTTOM	10	1
18	74003976	SCREW, SHOULDER	10	2
19	74010812	SUPPORT, OVEN BOTTOM	10	2
20	74010948	BOTTOM, OVEN	10	1
21	74001757	RACK, OVEN	10	1
22	7101P124-60	SCREW W/WASHER	10	22
23	74009527	RACK, SMART & EASY (30")	10	1

\*Color Code (-)=Not Shown #=Series, Serial Prefix or Run No., N=Not Available

Section: DOOR/DRAWER

Model: AGS5730BDW



C11-868

## Section: DOOR/DRAWER

No.	Part No.	Description	Series	Qty
1	74003642	LINING, DOOR	10	1
2	74004224	TAPE, SINGLE SIDED (WHT)	10	2
3	74001574	NUT, SNAP (ROUND-BLK)	10	4
4	7201P046-60	GASKET, DOOR	10	1
5	74005546	SPACER, RUBBER	10	2
6	74003644	FRAME, GLASS	10	1
7	74003645	GLASS, INNER	10	2
8	74003647	INSULATION, OVEN DOOR	10	2
9	74009502	BAFFLE, OVEN DOOR	10	1
10	74004857	GLASS W/TAPE ASSY	10	1
11	74003650	RETAINER, GLASS	10	2
12	74009690	TRIM, DOOR TOP (WHT)	10	1
13	74009698	BRACKET, DOOR HANDLE (RT)	10	1
13	74009699	BRACKET, DOOR HANDLE (LT)	10	1
14	74008322	HANDLE, DOOR (WHT)	10	1
15	74006635	SCREW W/WASHER (HANDLE MTG)	10	2
16	12002358	KIT, DOOR TRIM (WHT)	10	1
17	74009687	SUPPORT, GLASS (WHT)	10	1
18	74009540	SCREW (WHT)	10	9
19	12002396	KIT, DOOR GLASS (WHT)	10	1
20	74008333	DRAWER, STORAGE	10	1
21	74010896	BRACKET, DRAWER	10	2
22	74004078	ROLLER, DRAWER	10	2
23	74005231	SHAFT, STORAGE DRAWER ROLLER	10	2
24	7103P082-60	NUT	10	2
25	2404F030-51	LINING, DRAWER PANEL	10	1
26	74003407	PANEL, DRAWER (WHT)	10	1
27	74004310	SCREW, PANEL	10	2
28	74005230	NUT, LOCK (8-32)	10	2
29	74009540	SCREW (WHT)	10	2
30	74005546	SPACER, RUBBER	10	2

\*Color Code (-)=Not Shown #=Series, Serial Prefix or Run No., N=Not Available

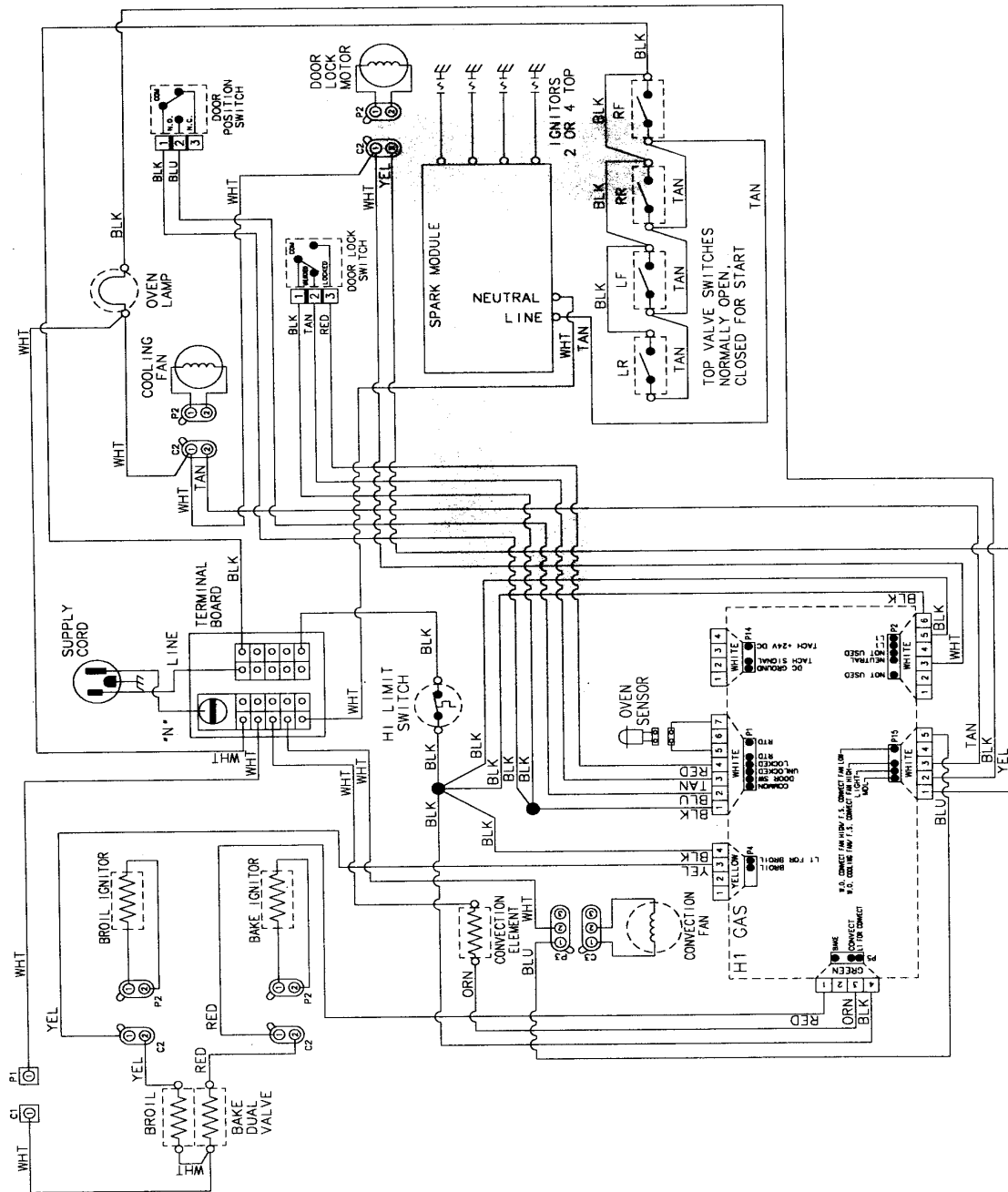
## Section: SUPPLEMENTAL INFORMATION

No.	Part No.	Description	Series	Qty
-	8113P521-60	MANUAL, USE & CARE	10	1
-	8113P554-60	MANUAL, USE & CARE	12	1
-	74011130	HARNESS, MAIN	10	1
-	74011369	HARNESS, MAIN	11	1
-	74011352	WIRE (WHT/2)/2 CURCUIT PLUG	11	1
-	74011350	WIRE (18G WHT/2)	10	1
-	74010914	HARNESS, SPARK	10	1
-	74010849	HARNESS, SENSOR/LATCH	10	1
-	74011053	KIT, LP ORIFICE	10	1
-	12002708	ORIFICE KIT (NAT)	10	1
-	W10124350	NOT REQUIRED PART OR SEE NOTE Note: ACCESSORY FILLER KITS	10	0
-	K71FILLW	KIT, EXTRUSION FILLER (WHT)	10	1
-	W10124350	NOT REQUIRED PART OR SEE NOTE Note: ACCESSORY SIDE PANEL KITS	10	0
-	UXA1100AAW	KIT, SIDE PANEL (WHT)	10	1
-	74011435	PLUG, SIDE TRIM (WHT)	10	8
-	W10124350	NOT REQUIRED PART OR SEE NOTE Note: ACCESSORY SIDE TRIM PLUGS	10	0

\*Color Code (-)=Not Shown #=Series, Serial Prefix or Run No., N=Not Available

# Section: WIRING INFORMATION

Model: AGS5730BDW



15003735

