

Repair Parts List

MODEL NUMBER

JDS8850BDW

DUEL FUEL RANGE

When requesting service or ordering parts, always provide the following information:

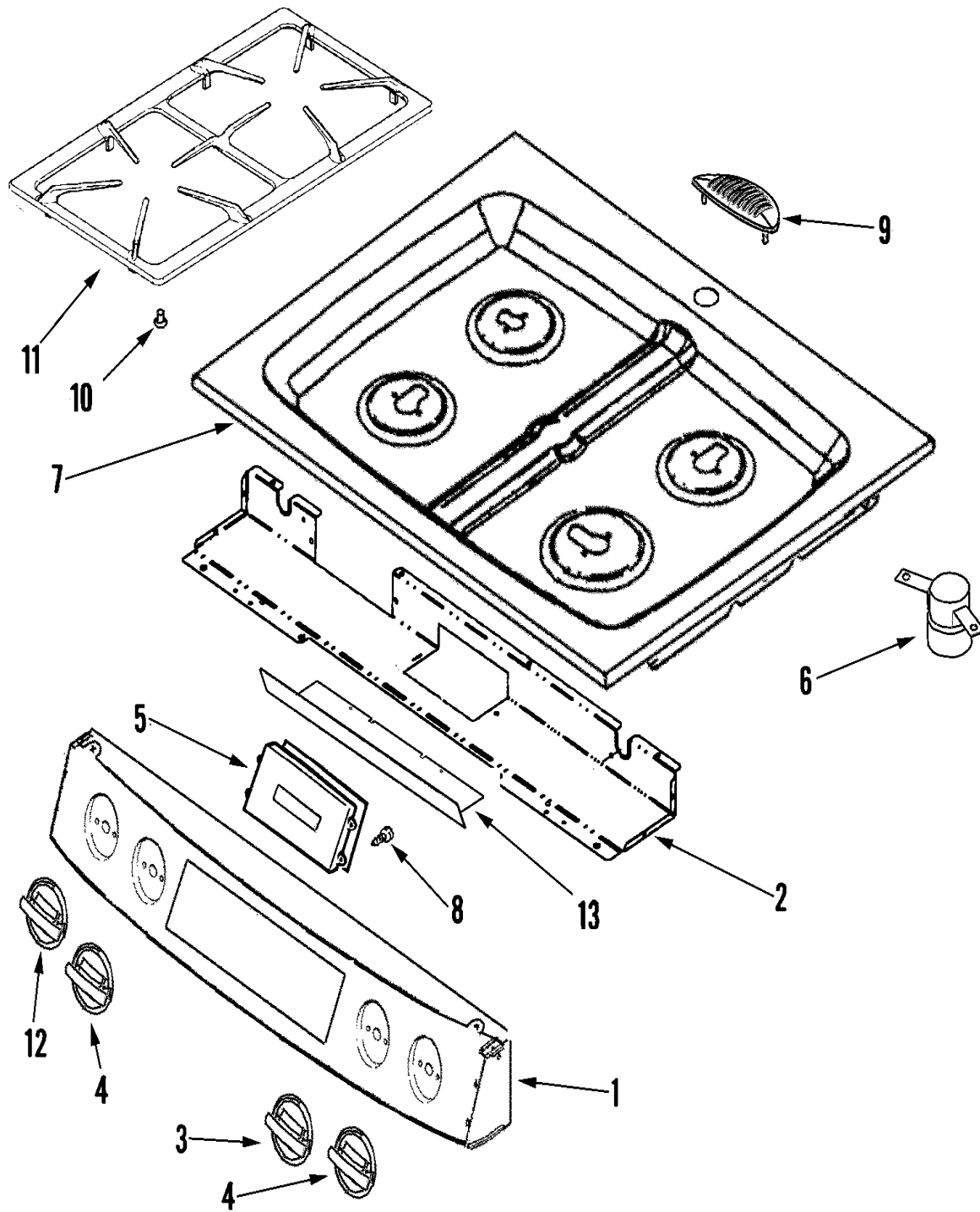
- Product Type
- Part Number
- Model Number
- Part Description

MAYTAG®

©2005 Maytag Services

Section: CONTROL PANEL/TOP ASSEMBLY

Model: JDS8850BDW



C15-635

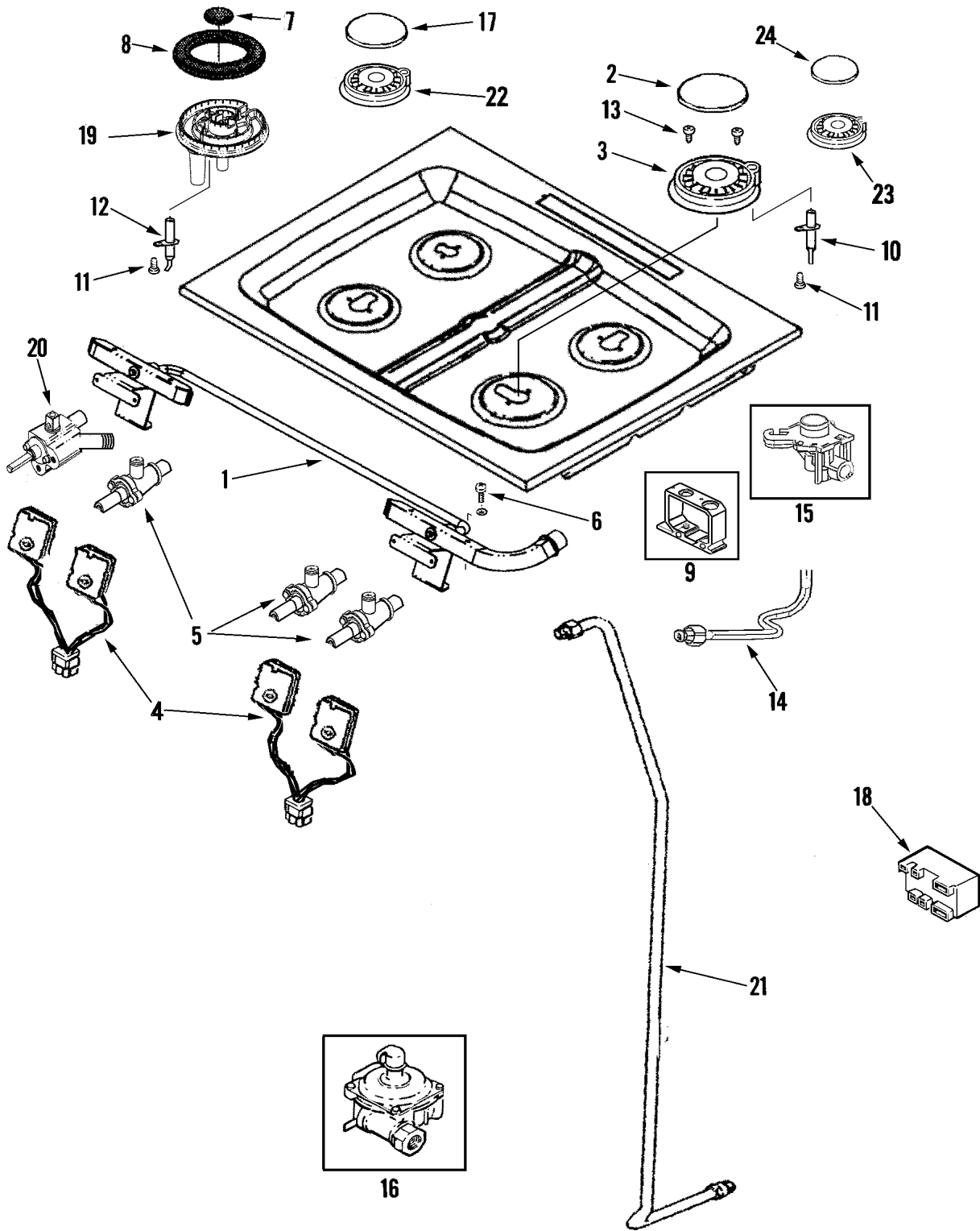
Section: CONTROL PANEL/TOP ASSEMBLY

No.	Part No.	Description	Series	Qty
1	74011661	CONTROL PANEL/SWITCH ASY (WHT)	10	1
2	74011824	SUPPORT, CONTROL PANEL	10	1
3	74011664	KNOB, BURNER (SMR) Note: KNOB, BURNER (SMR)(RR)	10	1
4	74011666	KNOB, BURNER Note: KNOB, BURNER (LR/RF)	10	2
5	74011725	CONTROL	10	1
6	74005759	TUBE, VENT (UPR)	10	1
7	74011724	TOP ASY (WHT)	10	1
8	74004005	SCREW, 6-32 X 5/16"	10	4
9	74011634	TRIM, VENT (WHT)	10	1
10	74007356	BUMPER, GRATE BOTTOM	10	4
-	M0275597	SEALER, RTV CLEAR	10	1
11	74011706	GRATE (BLK)	10	2
12	74011665	KNOB, BURNER (DUAL) Note: KNOB, BURNER (DUAL)(LF)	10	1
13	74011825	INSULATOR, SHIELD	10	1

*Color Code (-)=Not Shown #=Series, Serial Prefix or Run No., N=Not Available

Section: GAS CONTROLS

Model: JDS8850BDW



C13-286

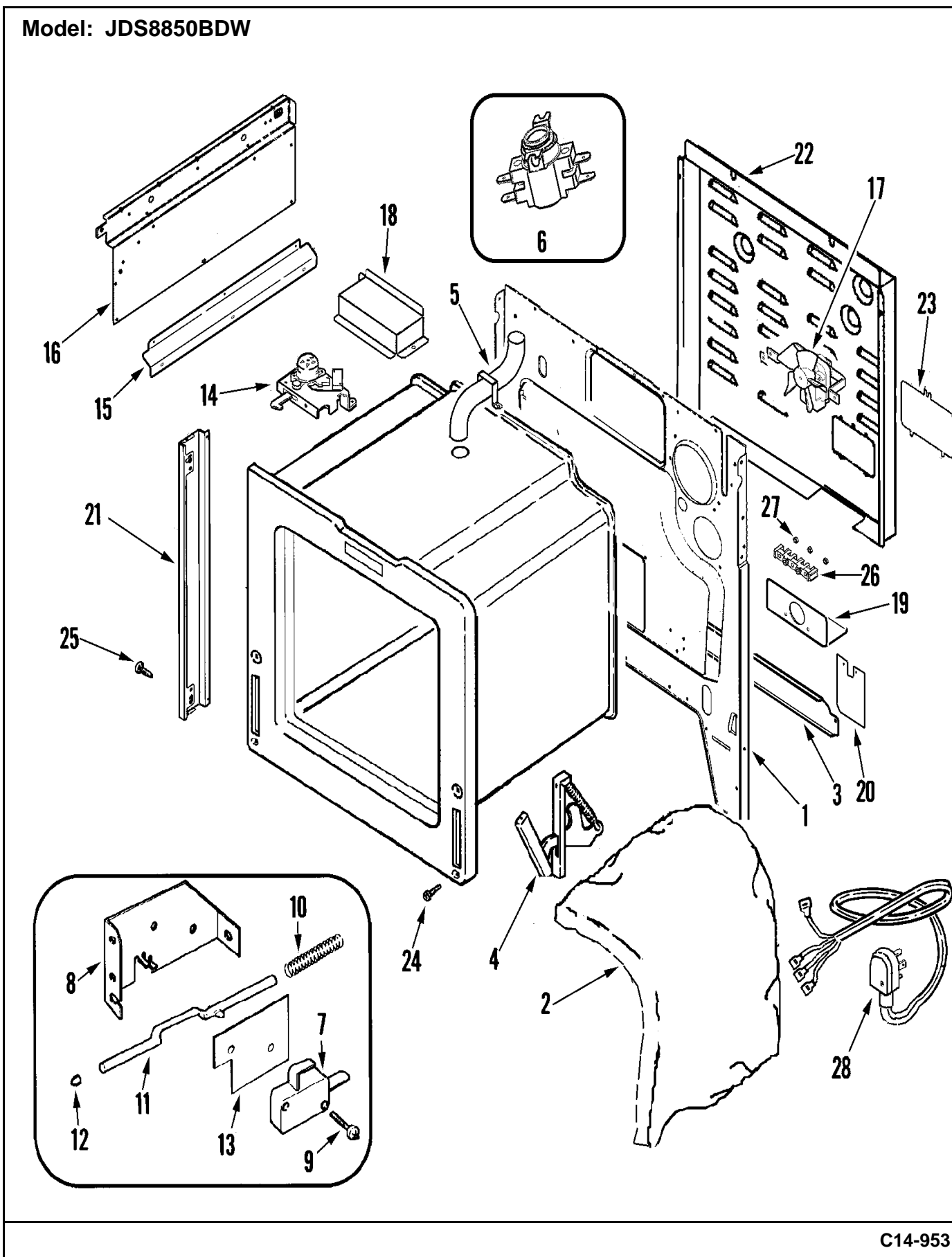
Section: GAS CONTROLS

No.	Part No.	Description	Series	Qty
1	74011659	MANIFOLD PIPE ASY	10	1
2	74007750	CAP, BURNER (EX-LRG/BLK)	10	1
3	74007736	BURNER ASSEMBLY (X-LRG) Note: BASE, BURNER (RF)	10	1
4	74011648	SWITCH/HARNESS ASY (RT)	10	1
4	74011647	SWITCH/HARNESS ASY (LT)	10	1
5	74009451	VALVE, 5K (MUELLER) Note: VALVE, BURNER (RR)	10	1
5	74009452	VALVE, 9K (MUELLER) Note: VALVE, BURNER (LR)	10	1
5	74009453	VALVE, 16K (MUELLER) Note: VALVE, BURNER (RF)	10	1
6	74009416	SCREW	10	4
7	74011650	CAP, DUAL BURNER (BLK/INNER)	10	1
8	74011651	CAP, DUAL BURNER (BLK/OUTER)	10	1
9	74011669	HOLDER, ORIFICE (DUAL BNR)	10	1
10	74009336	IGNITOR	10	3
11	74009337	SCREW, IGNITOR	10	4
12	74011829	IGNITER (DUAL BURNER)	10	1
13	74007410	SCREW, SELF TAPPING----S	10	10
14	74011653	TUBING, BURNER (RF)	10	1
14	74011654	TUBING, BURNER (RR)	10	1
14	74011655	TUBING, BURNER (LR)	10	1
14	74011656	TUBING, DUAL BURNER (INNER)	10	1
14	74011657	TUBING, DUAL BURNER (OUTER)	10	1
15	74007764	HOLDER, ORIFICE (9.2K) Note: HOLDER, ORIFICE (9.2K-LR)	10	1
15	74009553	HOLDER, ORIFICE (5K) Note: HOLDER, ORIFICE (5K-RR)	10	1
15	74007766	HOLDER, ORIFICE (15K) Note: HOLDER, ORIFICE (16K-RF)	10	1
16	74011871	REGULATOR, PRESSURE	10	1
17	74007749	CAP, BURNER (MED-BLK)	10	1
18	71002783	MODULE, SPARK	10	1
19	74011652	BURNER ASY (DUAL)	10	1
20	74011649	VALVE, BURNER (DUAL)	10	1
21	74011658	TUBING, SUPPLY	10	1
22	74007735	BURNER ASSEMBLY (LRG) Note: BASE, BURNER (LR)	10	1
23	74007734	BURNER ASSEMBLY (SMALL) Note: BASE, BURNER (RR)	10	1
24	74007748	CAP, BURNER (SMR-BLK)	10	1

*Color Code (-)=Not Shown #=Series, Serial Prefix or Run No., N=Not Available

Section: BODY

Model: JDS8850BDW



C14-953

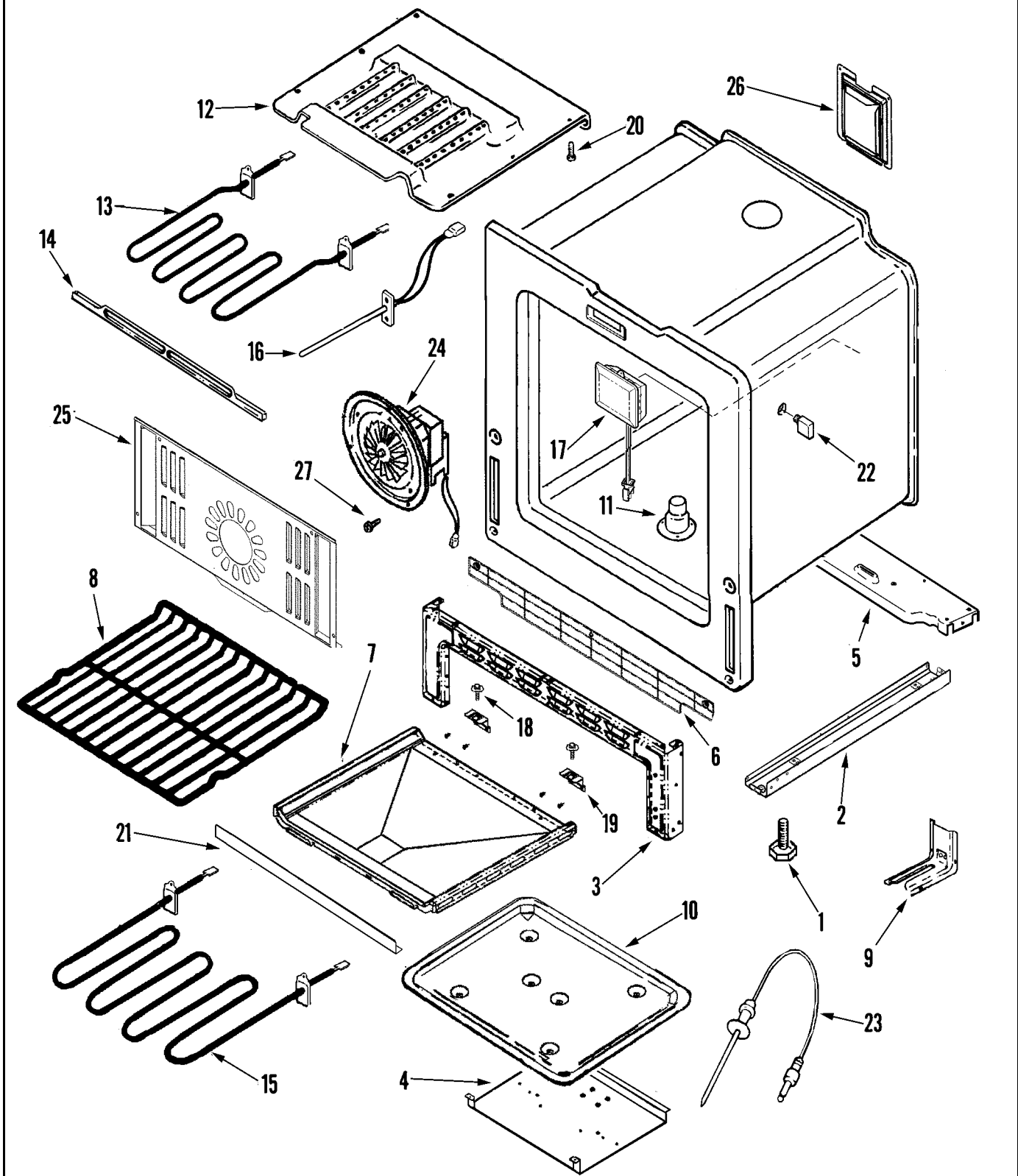
Section: BODY

No.	Part No.	Description	Series	Qty
1	74011465	BACK, MAIN	10	1
2	74010987	INSULATION, WRAPPER	10	1
3	74010815	EXTENSION, MAIN BACK	10	1
4	74011475	HINGE, DOOR	10	2
-	74010817	HOLDER, VENT TUBE	10	1
5	74010816	TUBE, VENT	10	1
6	74008265	THERMOSTAT, HI-LIMIT (UPR)	10	1
7	74008263	SWITCH, DOOR LOCK	10	1
8	74001632	BRACKET, SWITCH ACTUATOR	10	1
9	22002368	SCREW----NA	10	2
10	74001629	SPRING, DOOR SWITCH	10	1
11	74003562	ROD, DOOR LIGHT SWITCH	10	1
12	74001631	BUMPER, ROD	10	1
13	74008264	INSULATOR	10	1
14	74010819	LATCH ASY	10	1
15	74010820	EXTENSION, HEAT SHEILD	10	2
16	74010822	PANEL, SHIELD (RT)	10	1
16	74010821	PANEL, SHIELD (LT)	10	1
17	74010823	FAN, COOLING	10	1
18	74010845	COVER, DOOR LATCH	10	1
19	74011488	BRACKET, POWER SUPPLY	10	1
20	74006364	INSULATOR, POWER CORD	10	1
21	74010832	TRIM, SIDE (WHT)	10	2
22	74006096	COVER, WIRE (REAR)	10	1
23	74005264	COVER, TERMINAL BLOCK	10	1
24	7101P112-60	SCREW	10	4
25	74003976	SCREW, SHOULDER	10	4
26	7401P039-60	BLOCK, TERMINAL	10	1
27	7103P027-60	NUT, TERMINAL BLOCK	10	3
28	74011522	CORD, POWER (90C/4 WIRE)	10	1

*Color Code (-)=Not Shown #=Series, Serial Prefix or Run No., N=Not Available

Section: OVEN/BASE

Model: JDS8850BDW



C12-573

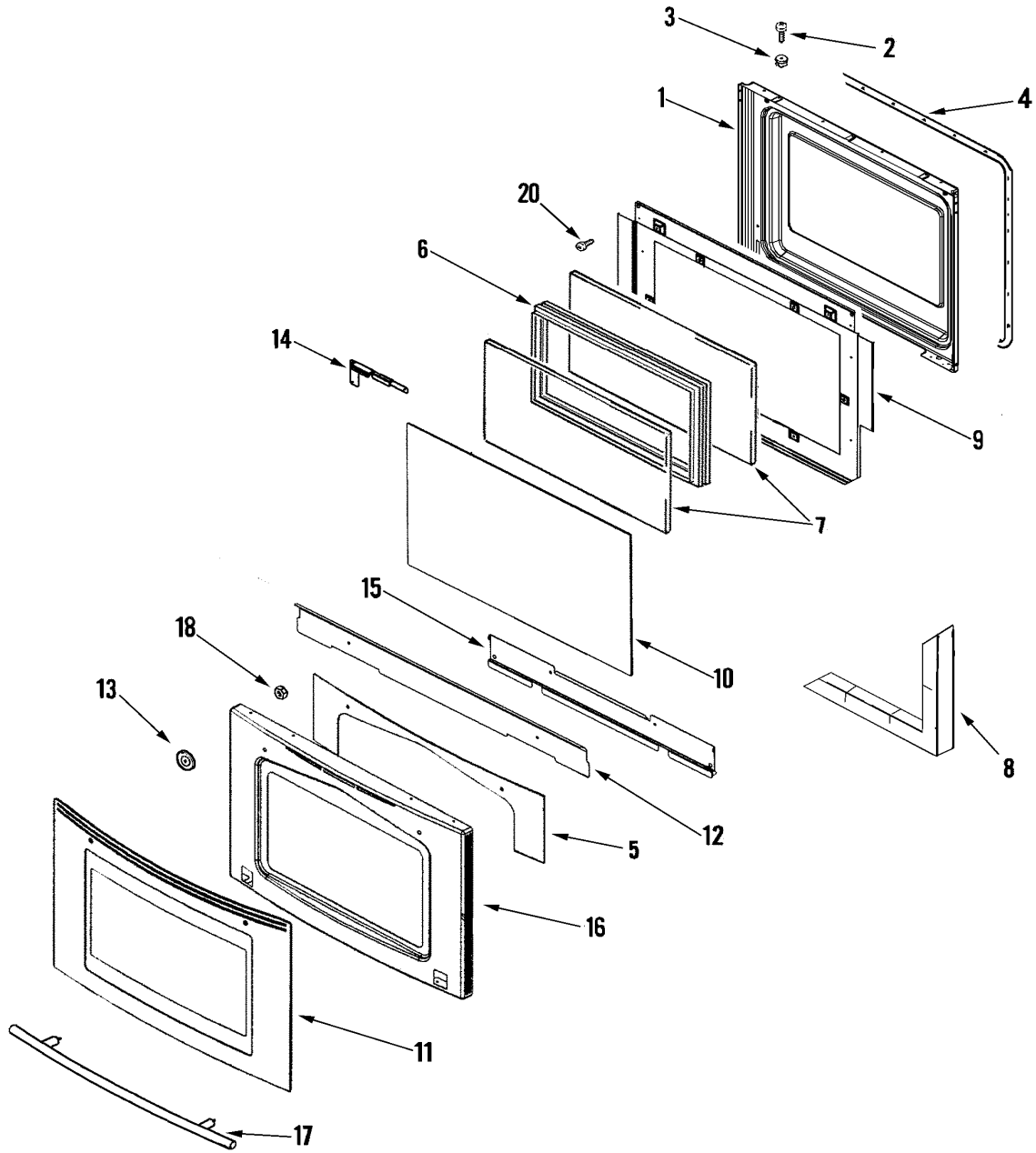
Section: OVEN/BASE

No.	Part No.	Description	Series	Qty
1	74010805	SCREW, LEVELING LEG	10	4
2	74010899	BOTTOM, PEDESTAL	10	2
3	74010882	PEDESTAL, FRONT	10	2
4	74006591	SHIELD, WARMING DRAWER	10	1
5	74007129	SUPPORT, VALVE REGULATOR	10	1
6	74011482	TRIM, FRONT FRAME (BLK)	10	1
7	74010853	BOTTOM, OVEN	10	1
8	74001757	RACK, OVEN	10	3
9	74005564	BRACKET, ANTI-TIP	10	1
-	7101P352-60	SCREW	10	2
10	74010806	PAN, BAKE	10	1
-	74010809	PLATE, VENT COVER	10	1
11	74010808	TUBE, VENT (LWR)	10	1
12	74008408	SHIELD, BROIL (30")	10	1
13	74011479	ELEMENT, BROIL	10	1
14	74003563	SUPPORT, BROIL ELEMENT	10	1
15	74010811	ELEMENT, BAKE	10	1
16	74004943	SENSOR, OVEN (LONG)	10	1
17	74011220	LIGHT ASY, HALOGEN	10	1
18	74003976	SCREW, SHOULDER	10	2
19	74010812	SUPPORT, OVEN BOTTOM	10	2
20	74010505	SCREW, 3/4" HEX HEAD	10	6
21	74010807	COVER, FRONT	10	1
22	74009602	RECEPTACLE, MEAT PROBE	10	1
23	74008469	PROBE, MEAT	10	1
24	74011517	CONVECTION FAN ASY.	10	1
25	74011752	COVER, CONVECTION FAN	10	1
26	74010814	RETAINER, CONV INSULATION	10	1
27	7101P124-60	SCREW W/WASHER	10	6

*Color Code (-)=Not Shown #=Series, Serial Prefix or Run No., N=Not Available

Section: DOOR (SER PRE 10)

Model: JDS8850BDW



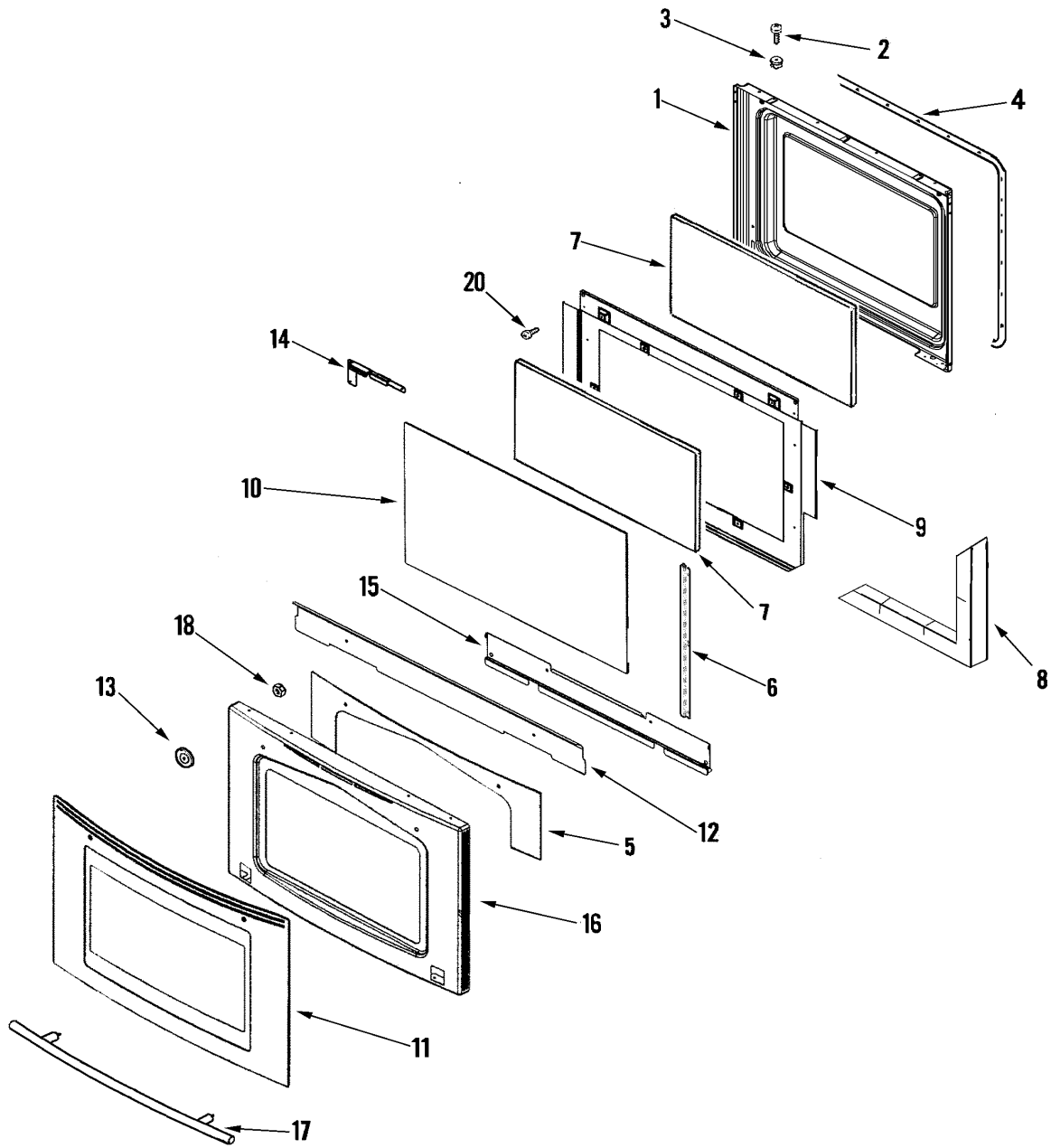
Section: DOOR (SER PRE 10)

No.	Part No.	Description	Series	Qty
1	74003642	LINING, DOOR	10	1
2	74009540	SCREW (WHT)	10	4
3	74001574	NUT, SNAP (ROUND-BLK)	10	2
4	7201P046-60	GASKET, DOOR	10	1
5	74011509	INSULATION, DOOR	10	2
6	74003644	FRAME, GLASS	10	1
7	74003645	GLASS, INNER	10	2
8	74003647	INSULATION, OVEN DOOR	10	2
9	74011339	BAFFLE, OVEN DOOR	10	1
10	74010231	GLASS, DOOR (INNER/COATED)	10	1
11	74011510	GLASS ASY, DOOR (WHT)	10	1
12	74011049	SHIELD, DOOR	10	1
13	74009194	WASHER, HANDLE	10	2
14	74011504	RETAINER, GLASS (RT)	10	1
14	74011503	RETAINER, GLASS (LT)	10	1
15	74007215	RETAINER, DOOR GLASS	10	1
16	74011508	FRAME, DOOR (WHT)	10	1
17	74008625	HANDLE, DOOR (SS)	10	1
18	311426	NUT, WASHERED LOCK	10	2

*Color Code (-)=Not Shown #=Series, Serial Prefix or Run No., N=Not Available

Section: DOOR (SER PRE 11)

Model: JDS8850BDW



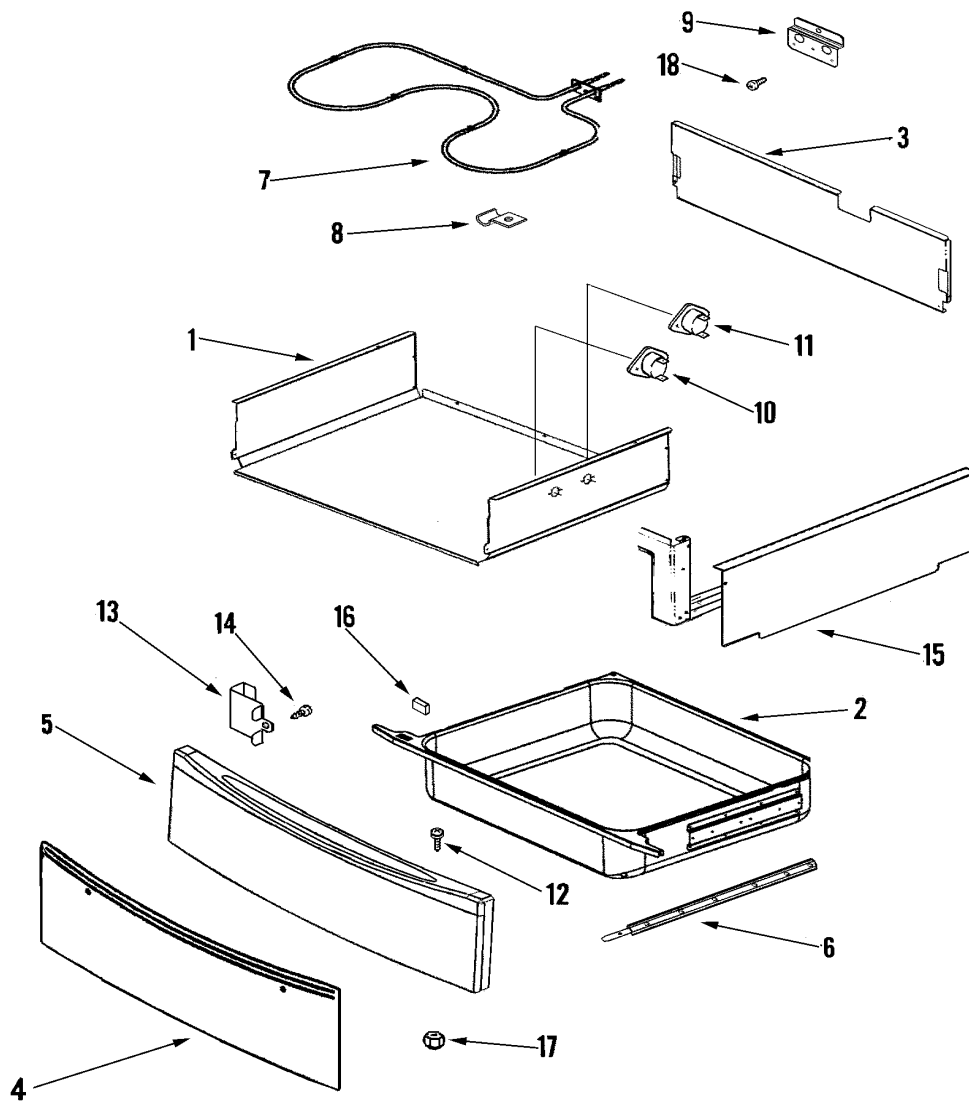
Section: DOOR (SER PRE 11)

No.	Part No.	Description	Series	Qty
1	74011456	LINING, DOOR	11	1
2	74009540	SCREW (WHT)	11	4
3	74001574	NUT, SNAP (ROUND-BLK)	11	2
4	7201P046-60	GASKET, DOOR	11	1
5	74011509	INSULATION, DOOR	11	2
6	74011458	BRACKET, INNER GLASS	11	2
7	74003645	GLASS, INNER	11	2
8	74003647	INSULATION, OVEN DOOR	11	2
9	74011457	BAFFLE, OVEN DOOR	11	1
10	74010231	GLASS, DOOR (INNER/COATED)	11	1
11	74011510	GLASS ASY, DOOR (WHT)	11	1
12	74011049	SHIELD, DOOR	11	1
13	74009194	WASHER, HANDLE	11	2
14	74011463	RETAINER, GLASS (RT)	11	1
14	74011797	RETAINER, GLASS (LT)	11	1
15	74011464	RETAINER, GLASS (LWR)	11	1
16	74011508	FRAME, DOOR (WHT)	11	1
17	74008625	HANDLE, DOOR (SS)	11	1
18	311426	NUT, WASHERED LOCK	11	2

*Color Code (-)=Not Shown #=Series, Serial Prefix or Run No., N=Not Available

Section: WARMING DRAWER

Model: JDS8850BDW



Section: WARMING DRAWER

No.	Part No.	Description	Series	Qty
1	74011814	BODY, WARMING DRAWER	10	1
2	74011815	DRAWER, WARMING	10	1
3	74011816	BACK, WARMING DRAWER	10	1
4	74011544	GLASS ASY, DRAWER (WHT)	10	1
-	74003975	SCREW (8ABX3/8-BLK)	10	8
6	74006588	GLIDE, WARMING DRAWER	10	2
7	74005789	ELEMENT, WARMER	10	1
8	74006592	CLIP, WARMING ELEMENT	10	4
9	74006576	SUPPORT, ELEMENT (REAR)	10	1
10	74006585	SWITCH, HI-LIMIT (ELEC/DRAWER)	10	1
11	74006587	SWITCH, HI-LIMIT (ELEC/DRAWER)	10	1
12	74004310	SCREW, PANEL	10	2
13	74010896	BRACKET, DRAWER	10	2
14	74002979	SCREW, 8 X 1/2	10	2
15	74011818	SHEILD, SIDE (WARMING DRWR)	10	1
16	74005546	SPACER, RUBBER	10	2
17	7103P139-60	NUT, LOCK	10	2
18	Y700502	SCREW	10	6

*Color Code (-)=Not Shown #=Series, Serial Prefix or Run No., N=Not Available

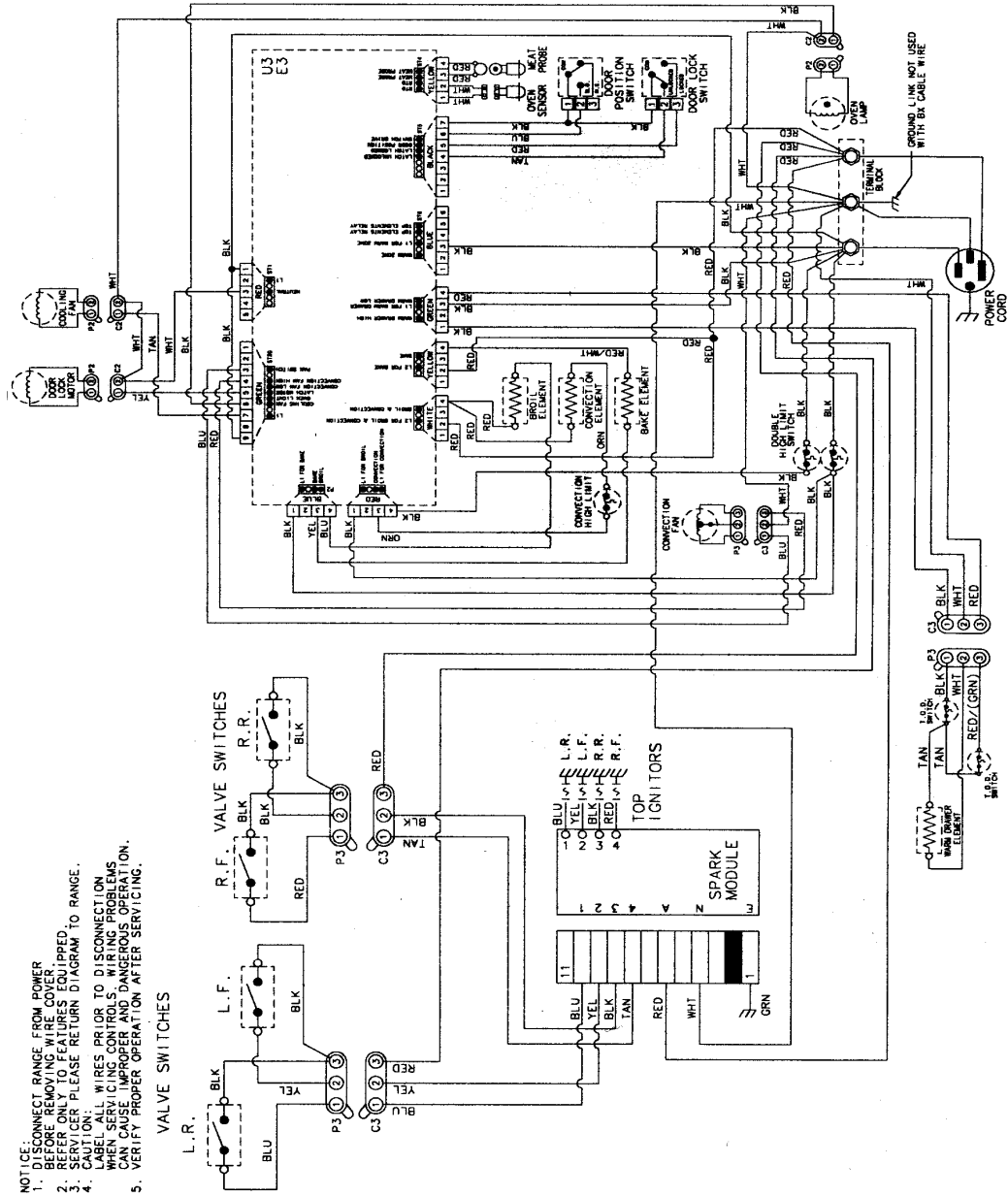
Section: SUPPLEMENTAL INFORMATION

No.	Part No.	Description	Series	Qty
-	8113P525-60	MANUAL, USE & CARE	10	1
-	74011726	HARNESS, MAIN	10	1
-	74011530	HARNESS, SENSOR	10	1
-	74011646	HARNESS, SPARK (REIGNITION)	10	1
-	74011619	HARNESS, WARMING DRAWER	10	1
-	74011514	CONVERSION KIT (LP)	10	1
-	K71FILLW	KIT, EXTRUSION FILLER (WHT)	10	1
-	UXA1100AAW	KIT, SIDE PANEL (WHT)	10	1

*Color Code (-)=Not Shown #=Series, Serial Prefix or Run No., N=Not Available

Section: WIRING INFORMATION

Model: JDS8850BDW



Section: WIRING INFORMATION (FRENCH)

No.	Part No.	Description	Series Qty
-	15003901	WIRING INFORMATION (FRENCH)	10 1

*Color Code (-)=Not Shown #=Series, Serial Prefix or Run No., N=Not Available

