

Repair Parts List

MODEL NUMBER

JGS9900BDF

DOWNDRAFT RANGE

When requesting service or ordering parts, always provide the following information:

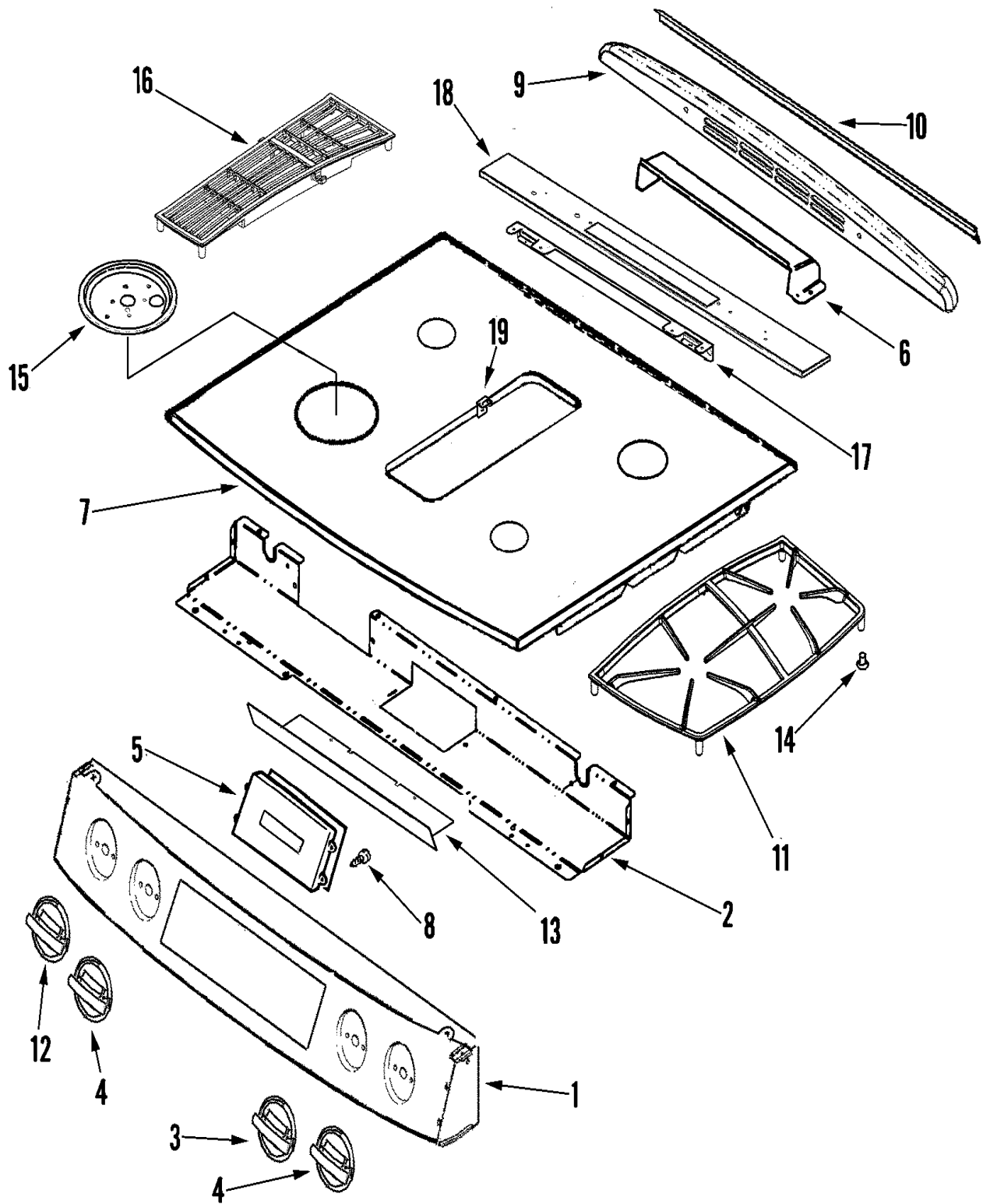
- Product Type
- Part Number
- Model Number
- Part Description

MAYTAG®

©2005 Maytag Services

Section: CONTROL PANEL/TOP ASSEMBLY

Model: JGS9900BDF



C15-637

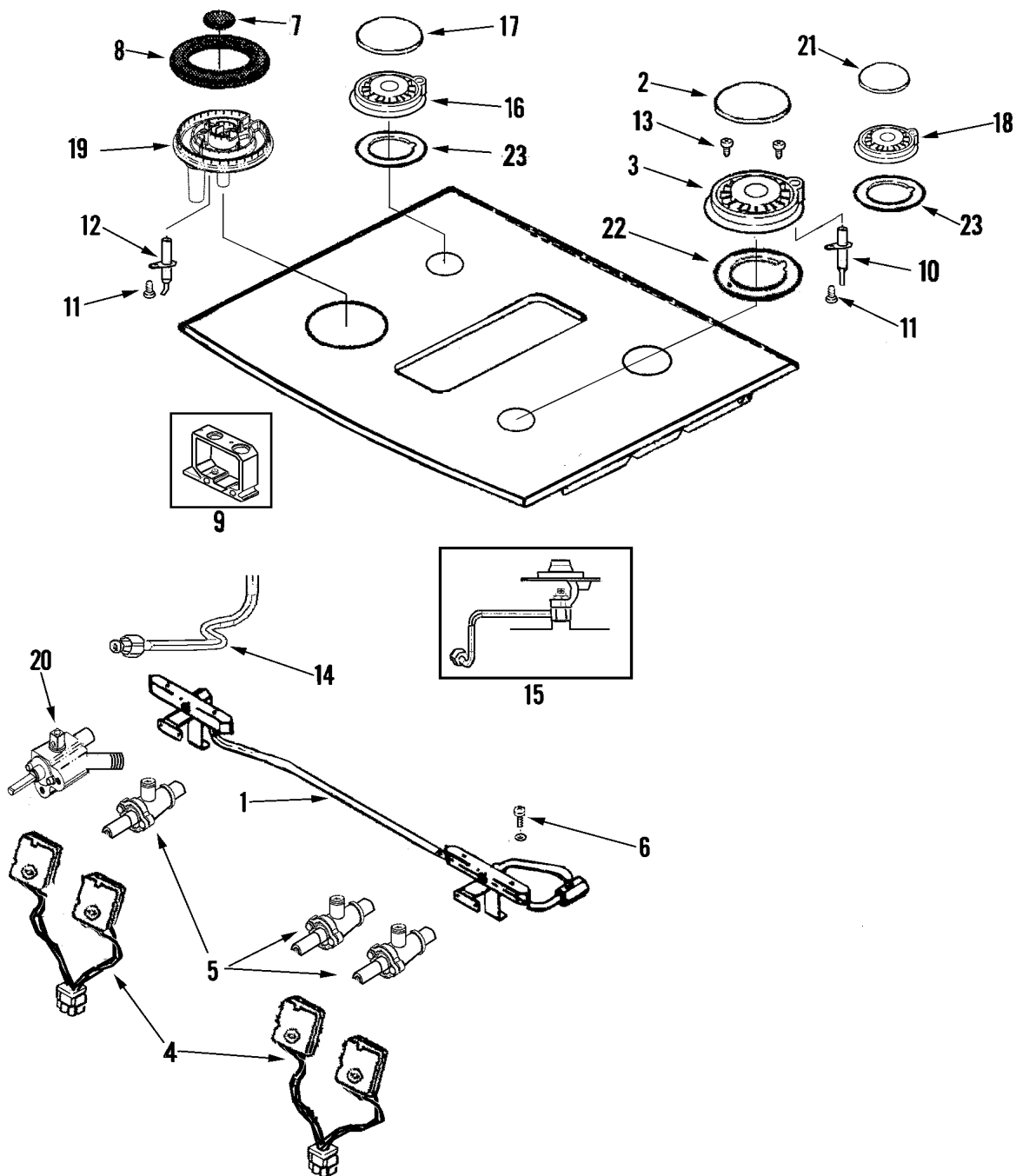
Section: CONTROL PANEL/TOP ASSEMBLY

No.	Part No.	Description	Series	Qty
1	74011745	CONTROL PANEL/SWITCH ASY (WHT)	10	1
2	74011870	SUPPORT, CONTROL PANEL	10	1
3	74011664	KNOB, BURNER (SMR) Note: KNOB, BURNER (SMR)(RR)	10	1
4	74011666	KNOB, BURNER Note: KNOB, BURNER (LF/RF)	10	2
5	74011872	CONTROL	10	1
6	3601F221-45	BAFFLE, VENT COVER	10	1
7	74011747	GLASS TOP ASY (WHT)	10	1
8	74004005	SCREW, 6-32 X 5/16"	10	4
9	74011826	COVER, VENT (BLK)	10	1
10	7201P061-60	GASKET	10	1
11	74011740	GRATE (BLK/LT)	10	1
11	74011739	GRATE (BLK/RT)	10	1
12	74011665	KNOB, BURNER (DUAL) Note: KNOB, BURNER (DUAL)(LF)	10	1
13	74011825	INSULATOR, SHIELD	10	1
14	74007356	BUMPER, GRATE BOTTOM	10	4
-	M0275597	SEALER, RTV CLEAR	10	1
15 N	74011874	BOWL, BURNER (WHT)	10	1
16	74011875	GRILL, AIR (BLK)	10	1
17	74011876	SHIELD, MAIN TOP	10	1
18	74011877	COVER, TRIM (BLK)	10	1
19	74010860	LOCATOR, GRATE	10	2

*Color Code (-)=Not Shown #=Series, Serial Prefix or Run No., N=Not Available

Section: GAS CONTROLS/SURFACE BURNERS

Model: JGS9900BDF



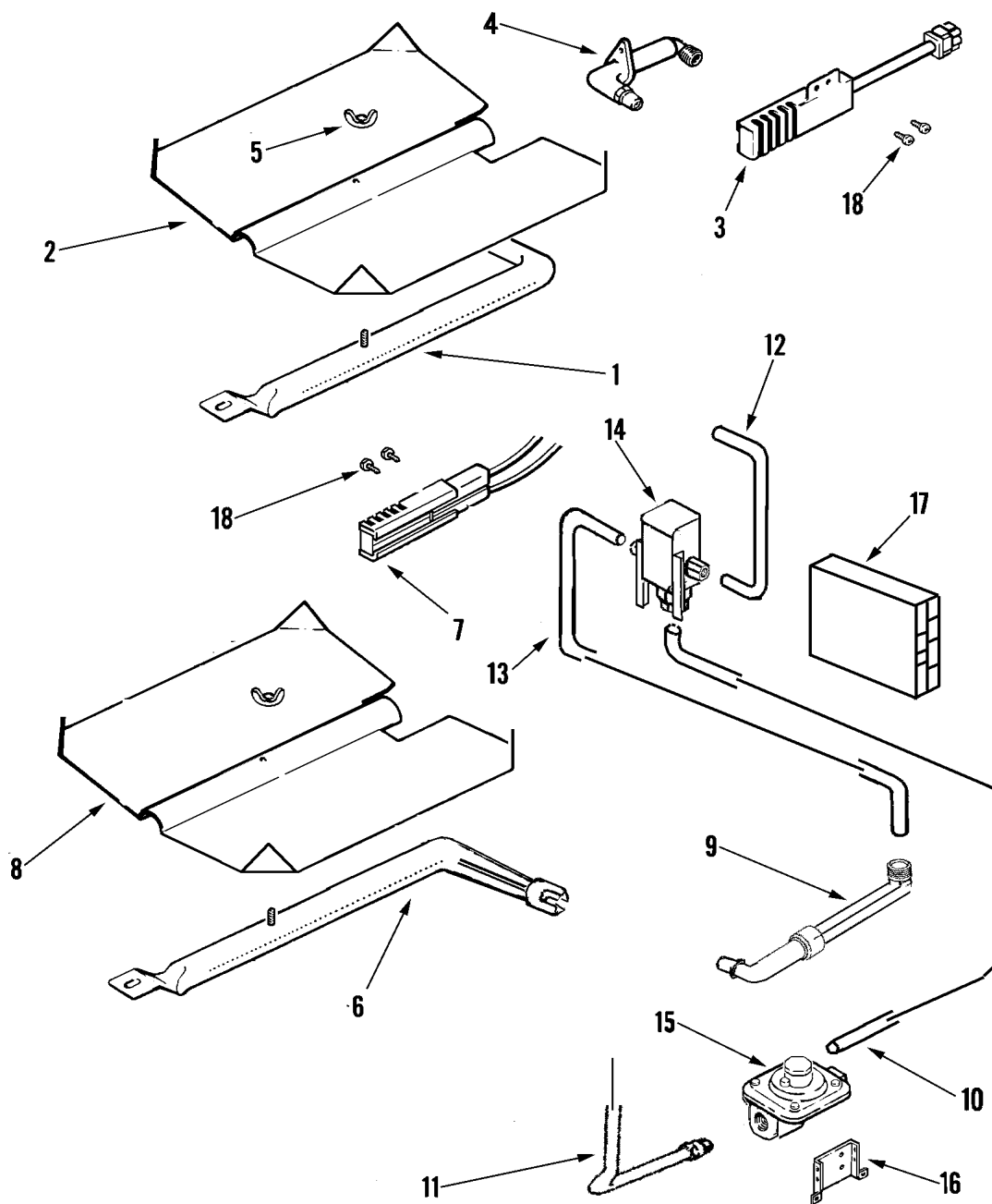
Section: GAS CONTROLS/SURFACE BURNERS

No.	Part No.	Description	Series	Qty
1	74011659	MANIFOLD PIPE ASY	10	1
2	74007750	CAP, BURNER (EX-LRG/BLK)	10	1
3	74007736	BURNER ASSEMBLY (X-LRG) Note: BASE, BURNER (RF)	10	1
4	74011648	SWITCH/HARNESS ASY (RT)	10	1
4	74011647	SWITCH/HARNESS ASY (LT)	10	1
5	74009453	VALVE, 16K (MUELLER) Note: VALVE, BURNER (RF)	10	1
5	74009451	VALVE, 5K (MUELLER) Note: VALVE, BURNER (RR)	10	1
5	74009452	VALVE, 9K (MUELLER) Note: VALVE, BURNER (LR)	10	1
6	74009416	SCREW	10	4
7	74011650	CAP, DUAL BURNER (BLK/INNER)	10	1
8	74011651	CAP, DUAL BURNER (BLK/OUTER)	10	1
9	74011669	HOLDER, ORIFICE (DUAL BNR)	10	1
10	74009336	IGNITOR	10	3
11	74009337	SCREW, IGNITOR	10	4
12	74011829	IGNITER (DUAL BURNER)	10	1
13	74007410	SCREW, SELF TAPPING----S	10	10
14	74011734	TUBING, DUAL BURNER (INNER)	10	1
14	74011735	TUBING, DUAL BURNER (OUTER)	10	1
15	74011741	HOLDER, ORIFICE (5K) Note: HOLDER, ORIFICE (5K-RR)	10	1
15	74011742	HOLDER, ORIFICE (9.2K) Note: HOLDER, ORIFICE (9.2K-LR)	10	1
15	74011743	HOLDER, ORIFICE (15K) Note: HOLDER, ORIFICE (16K-RF)	10	1
16	74007735	BURNER ASSEMBLY (LRG) Note: BASE, BURNER (LR)	10	1
17	74007749	CAP, BURNER (MED-BLK)	10	1
18	74007734	BURNER ASSEMBLY (SMALL) Note: BASE, BURNER (RR)	10	1
19	74011652	BURNER ASY (DUAL)	10	1
20	74011649	VALVE, BURNER (DUAL)	10	1
21	74007748	CAP, BURNER (SMR-BLK)	10	1
22	74010652	GASKET, FIBERGLASS	10	1
23	74010776	GASKET, FIBERGLASS	10	2

*Color Code (-)=Not Shown #=Series, Serial Prefix or Run No., N=Not Available

Section: GAS CONTROLS/OVEN

Model: JGS9900BDF



C13-288

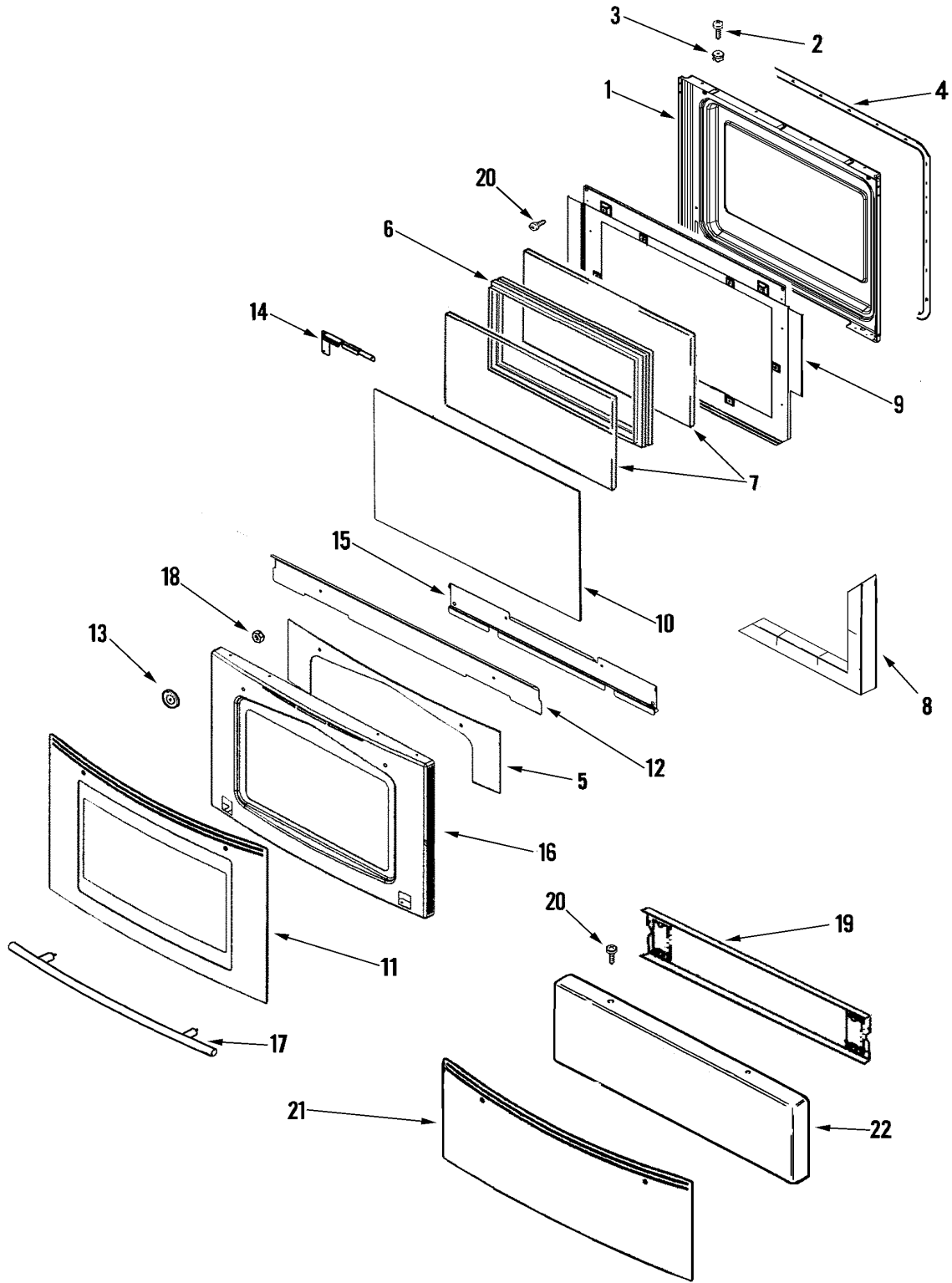
Section: GAS CONTROLS/OVEN

No.	Part No.	Description	Series	Qty
1	74011731	BURNER, BROIL	10	1
2	74010086	BAFFLE, BROIL	10	1
3	74011730	IGNITER, BROIL BURNER	10	1
-	4005F421-45	COVER, IGNITER	10	1
-	7101P112-60	SCREW Note: SCREW, IGNITER MTG	10	2
4	74011738	FITTING, ORIFICE (BROIL BNR)	10	1
-	7101P274-60	SCREW, #10 X .5 TYA Note: SCREW, ORIFICE FITTING	10	2
5	7103P030-60	NUT, WING	10	2
6	74010094	BURNER, BAKE	10	1
-	7101P287-60	SCREW, METAL GROUNDING	10	1
-	74010102	COVER, BURNER OPENING	10	1
7	74007965	IGNITOR, BAKE BURNER	10	1
8	74007406	BAFFLE, BAKE	10	1
-	74007451	NUT, ORIFICE MOUNTING	10	1
-	74007426	BRACKET, ORIFICE FITTING	10	1
9	74011737	FITTING, BAKE BURNER	10	1
10	74011732	TUBING, SUPPLY	10	1
11	74011471	TUBE, SUPPLY	10	1
12	74011733	TUBING, BROIL FITTING	10	1
13	74011736	TUBING, BAKE	10	1
14	74006345	VALVE, OVEN	10	1
15	74011878	REGULATOR, PRESSURE	10	1
16	74011879	BRACKET, REGULATOR	10	1
17	71002783	MODULE, SPARK	10	1
18	7101P112-60	SCREW	10	4

*Color Code (-)=Not Shown #=Series, Serial Prefix or Run No., N=Not Available

Section: DOOR/ACCESS PANEL (SER PRE 10)

Model: JGS9900BDF



C11-895

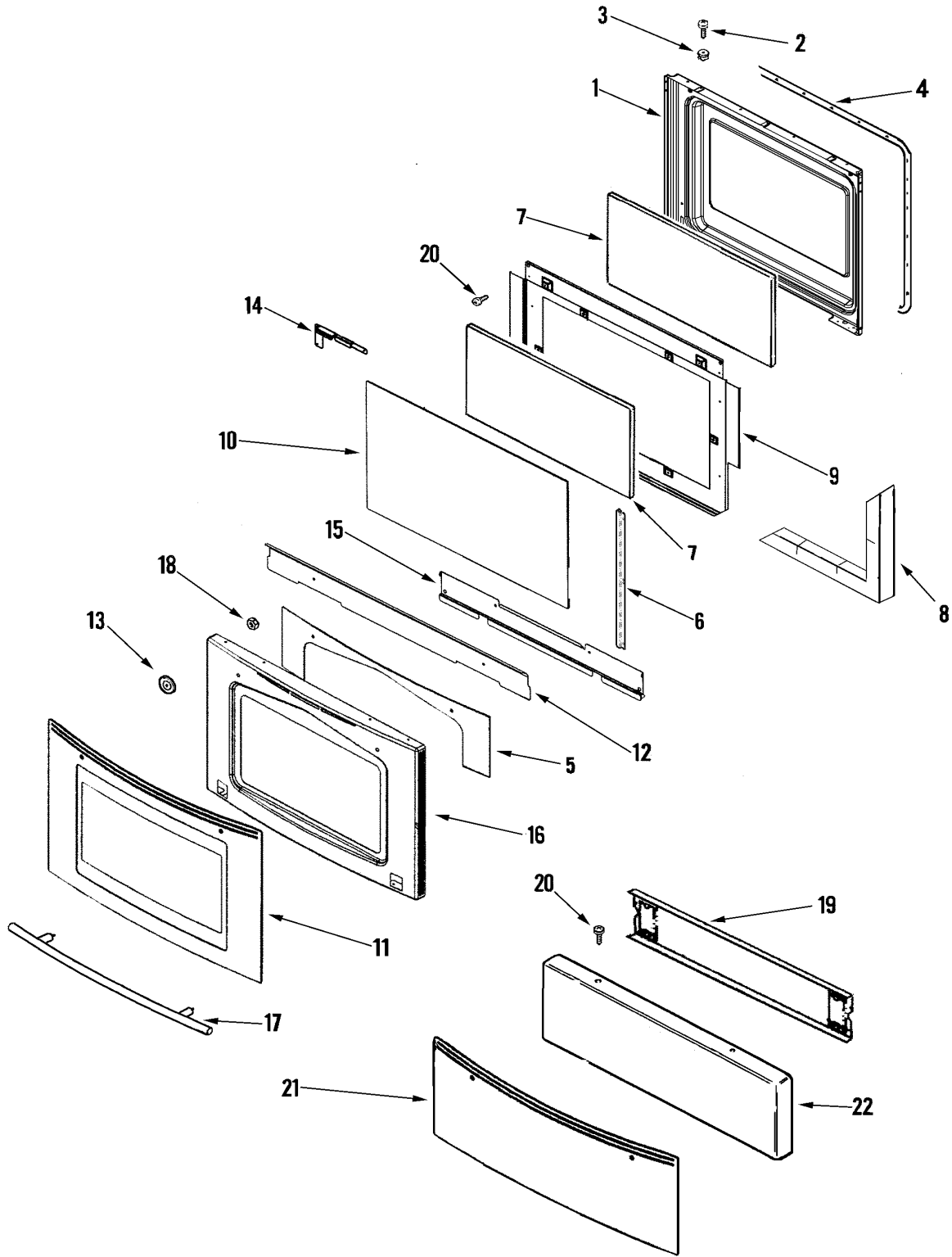
Section: DOOR/ACCESS PANEL (SER PRE 10)

No.	Part No.	Description	Series	Qty
1	74003642	LINING, DOOR	10	1
2	74009540	SCREW (WHT)	10	4
3	74001574	NUT, SNAP (ROUND-BLK)	10	2
4	7201P046-60	GASKET, DOOR	10	1
5	74011509	INSULATION, DOOR	10	2
6	74003644	FRAME, GLASS	10	1
7	74003645	GLASS, INNER	10	2
8	74003647	INSULATION, OVEN DOOR	10	2
9	74011339	BAFFLE, OVEN DOOR	10	1
10	74010231	GLASS, DOOR (INNER/COATED)	10	1
11	74011510	GLASS ASY, DOOR (WHT)	10	1
12	74011049	SHIELD, DOOR	10	1
13	74009194	WASHER, HANDLE	10	2
14	74011504	RETAINER, GLASS (RT)	10	1
14	74011503	RETAINER, GLASS (LT)	10	1
15	74007215	RETAINER, DOOR GLASS	10	1
16	74011508	FRAME, DOOR (WHT)	10	1
17	74008625	HANDLE, DOOR (SS)	10	1
18	311426	NUT, WASHERED LOCK	10	2
19	74011554	HANGER, ACCESS PANEL	10	2
20	Y700502	SCREW	10	6
21	74011544	GLASS ASY, DRAWER (WHT)	10	1
22	74011506	PANEL, DRAWER (WHT)-----S	10	1

*Color Code (-)=Not Shown #=Series, Serial Prefix or Run No., N=Not Available

Section: DOOR/ACCESS PANEL (SER PRE 11)

Model: JGS9900BDF



C11-919

Section: DOOR/ACCESS PANEL (SER PRE 11)

No.	Part No.	Description	Series	Qty
1	74011456	LINING, DOOR	11	1
2	74009540	SCREW (WHT)	11	4
3	74001574	NUT, SNAP (ROUND-BLK)	11	2
4	7201P046-60	GASKET, DOOR	11	1
5	74011509	INSULATION, DOOR	11	2
6	74011458	BRACKET, INNER GLASS	11	2
7	74003645	GLASS, INNER	11	2
8	74003647	INSULATION, OVEN DOOR	11	2
9	74011457	BAFFLE, OVEN DOOR	11	1
10	74010231	GLASS, DOOR (INNER/COATED)	11	1
11	74011510	GLASS ASY, DOOR (WHT)	11	1
12	74011049	SHIELD, DOOR	11	1
13	74009194	WASHER, HANDLE	11	2
14	74011797	RETAINER, GLASS (LT)	11	1
14	74011463	RETAINER, GLASS (RT)	11	1
15	74011464	RETAINER, GLASS (LWR)	11	1
16	74011508	FRAME, DOOR (WHT)	11	1
17	74008625	HANDLE, DOOR (SS)	11	1
18	311426	NUT, WASHERED LOCK	11	2
19	74011554	HANGER, ACCESS PANEL	11	2
20	Y700502	SCREW	11	10
21	74011544	GLASS ASY, DRAWER (WHT)	11	1
22	74011506	PANEL, DRAWER (WHT)-----S	11	1

*Color Code (-)=Not Shown #=Series, Serial Prefix or Run No., N=Not Available

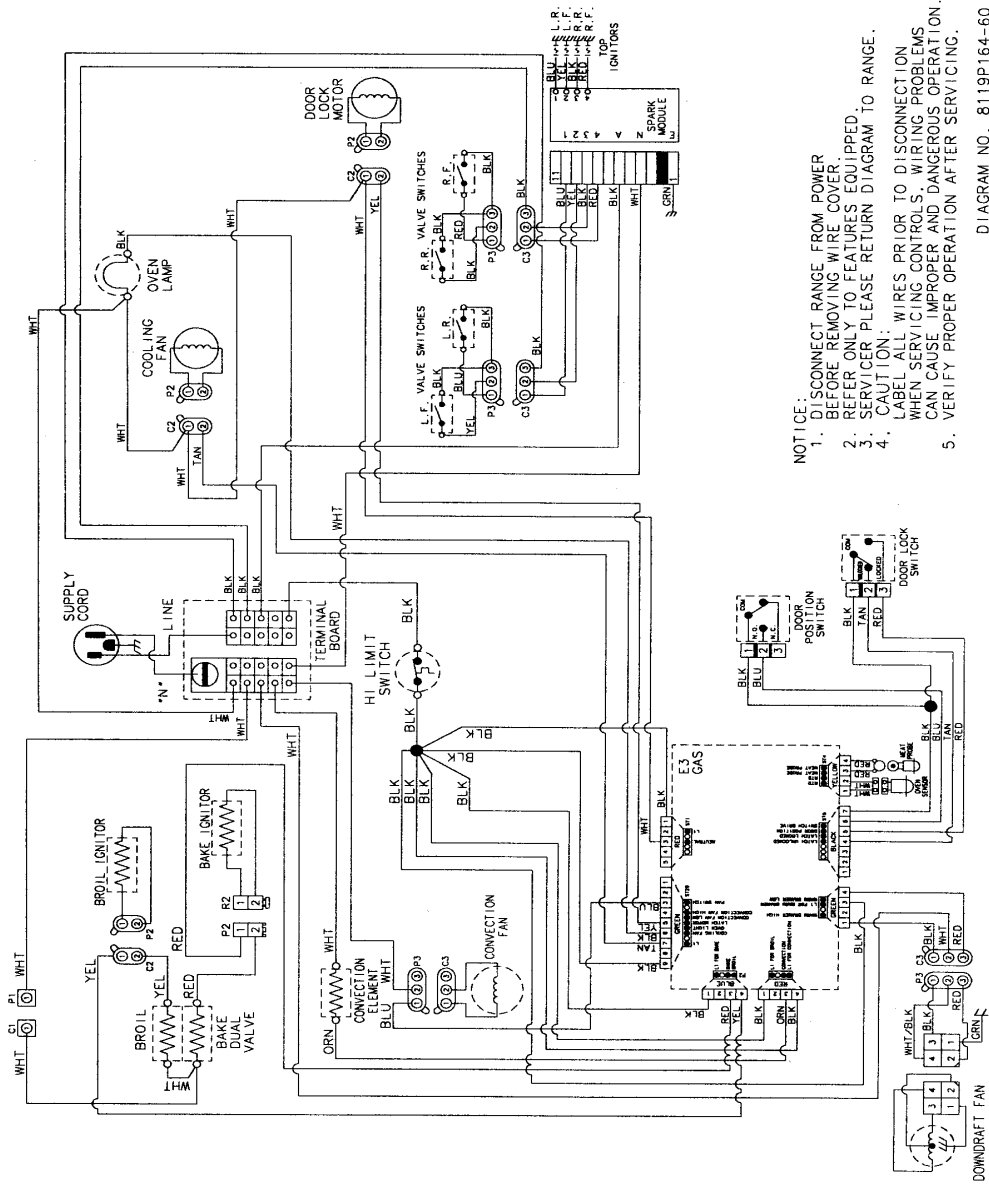
Section: SUPPLEMENTAL INFORMATION

No.	Part No.	Description	Series	Qty
-	8113P529-60	MANUAL, USE & CARE	10	1
-	74011728	HARNESS, MAIN	10	1
-	74011727	HARNESS, SPARK	10	1
-	74011530	HARNESS, SENSOR	10	1
-	74011783	KIT, LP ORIFICE	10	1
-	74008469	PROBE, MEAT	10	1
-	74007237	SPACER, DEHYDRATION	10	1
-	K71FILLW	KIT, EXTRUSION FILLER (WHT)	10	1
-	UXA1100AAW	KIT, SIDE PANEL (WHT)	10	1

*Color Code (-)=Not Shown #=Series, Serial Prefix or Run No., N=Not Available

Section: WIRING INFORMATION

Model: JGS9900BDF

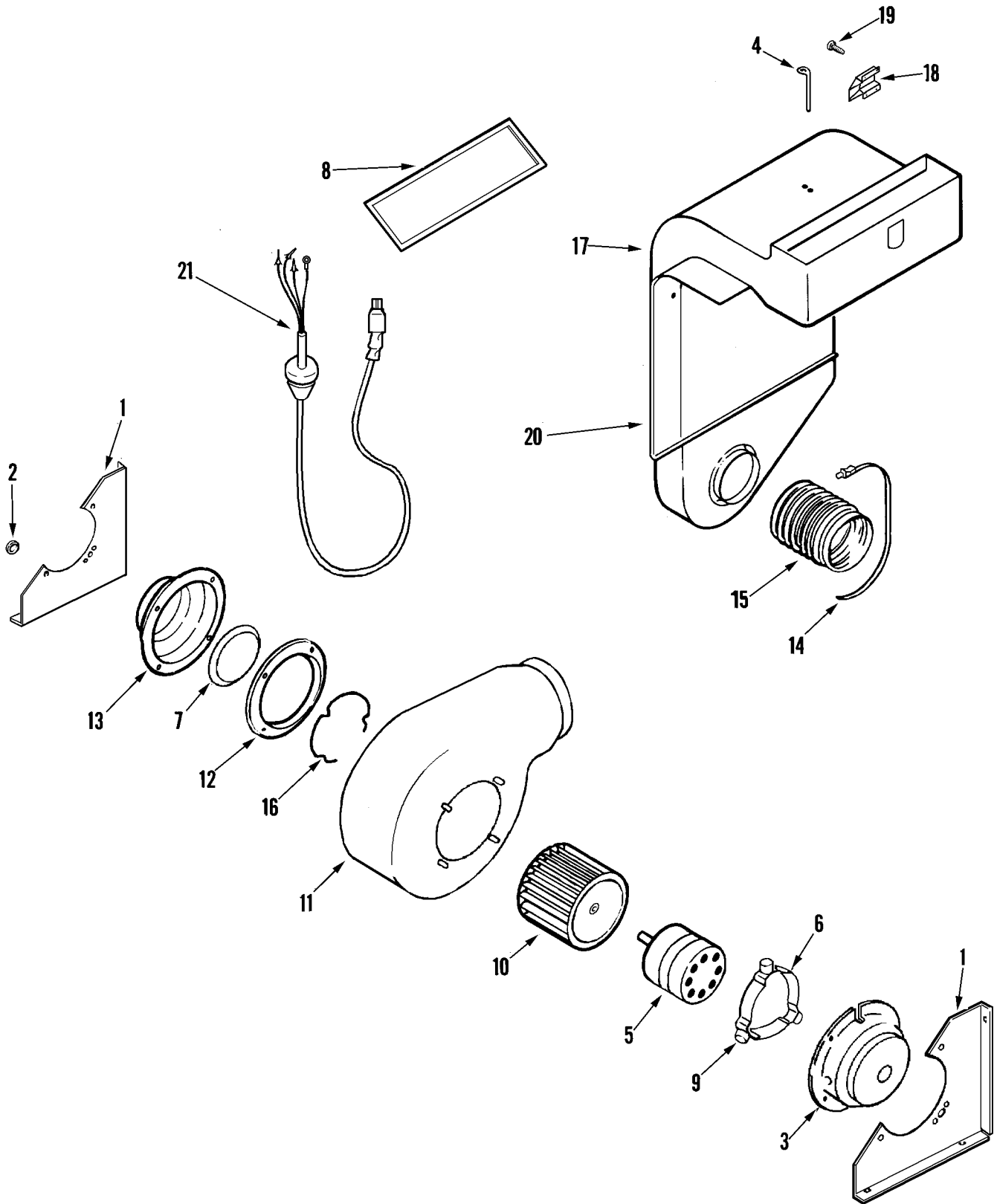


- NOTICE:**
1. DISCONNECT RANGE FROM POWER BEFORE REMOVING WIRE COVER.
 2. REFER ONLY TO FEATURES EQUIPPED.
 3. SERVICER PLEASE RETURN DIAGRAM TO RANGE.
 4. CAUTION: LABEL ALL WIRES PRIOR TO DISCONNECTION WHEN SERVICING CONTROLS. WIRING PROBLEMS CAN CAUSE IMPROPER AND DANGEROUS OPERATION.
 5. VERIFY PROPER OPERATION AFTER SERVICING.

DIAGRAM NO. 8119P164-60

Section: BLOWER ASSEMBLY (PLENUM)

Model: JGS9900BDF



C18-76

Section: BLOWER ASSEMBLY (PLENUM)

No.	Part No.	Description	Series	Qty
1	74005837	BRACKET, MOUNT	10	1
2	Y707702	LOCKNUT Note: LOCKNUT, BRACKET	10	8
-	Y04100336	SCREW, TORX Note: SCREW, MOTOR COVER	10	3
3	71002107	COVER, MOTOR	10	1
4	71002113	STOP, FILTER	10	1
-	715957	FOAM, URETHANE	10	1
5	71002108	MOTOR	10	1
6	Y707393	BAND, MOTOR	10	1
7	Y704761	RING, RESTRICTOR	10	1
8	74011989	FILTER, GREASE	10	1
-	71003542	SCREW, ISOLATOR Note: SCREW, ISOLATOR	10	3
-	7103P027-60	NUT, TERMINAL BLOCK Note: NUT, ISOLATOR	10	3
9	708926	ISOLATOR	10	3
10	Y707985	WHEEL, BLOWER	10	1
11	712008	SCROLL, BLOWER ASSY.	10	1
12	Y704758	RING, INLET	10	1
13	Y702296	ADAPTER, RESTRICTOR RING	10	1
14	Y702331	CLAMP, HOSE	10	2
15	Y702326	DUCT, FLEXIBLE	10	1
16	Y704762	RETAINER	10	1
-	Y700556	CLIP, J Note: CLIP, PLENUM	10	2
17	74011483	PLENUM ASY.	10	1
18	74011487	COVER, VENT	10	1
19	74005401	SCREW Note: SCREW, VENT COVER	10	2
20	74005835	PLENUM (LWR)	10	1
21	74005834	CORD, POWER Note: CORD, MOTOR	10	1
-	74007501	BLOWER ASSEMBLY	10	1

*Color Code (-)=Not Shown #=Series, Serial Prefix or Run No., N=Not Available

