

# Repair Parts List

MODEL NUMBER

MES5875BCW

## RANGE

When requesting service or ordering parts, always provide the following information:

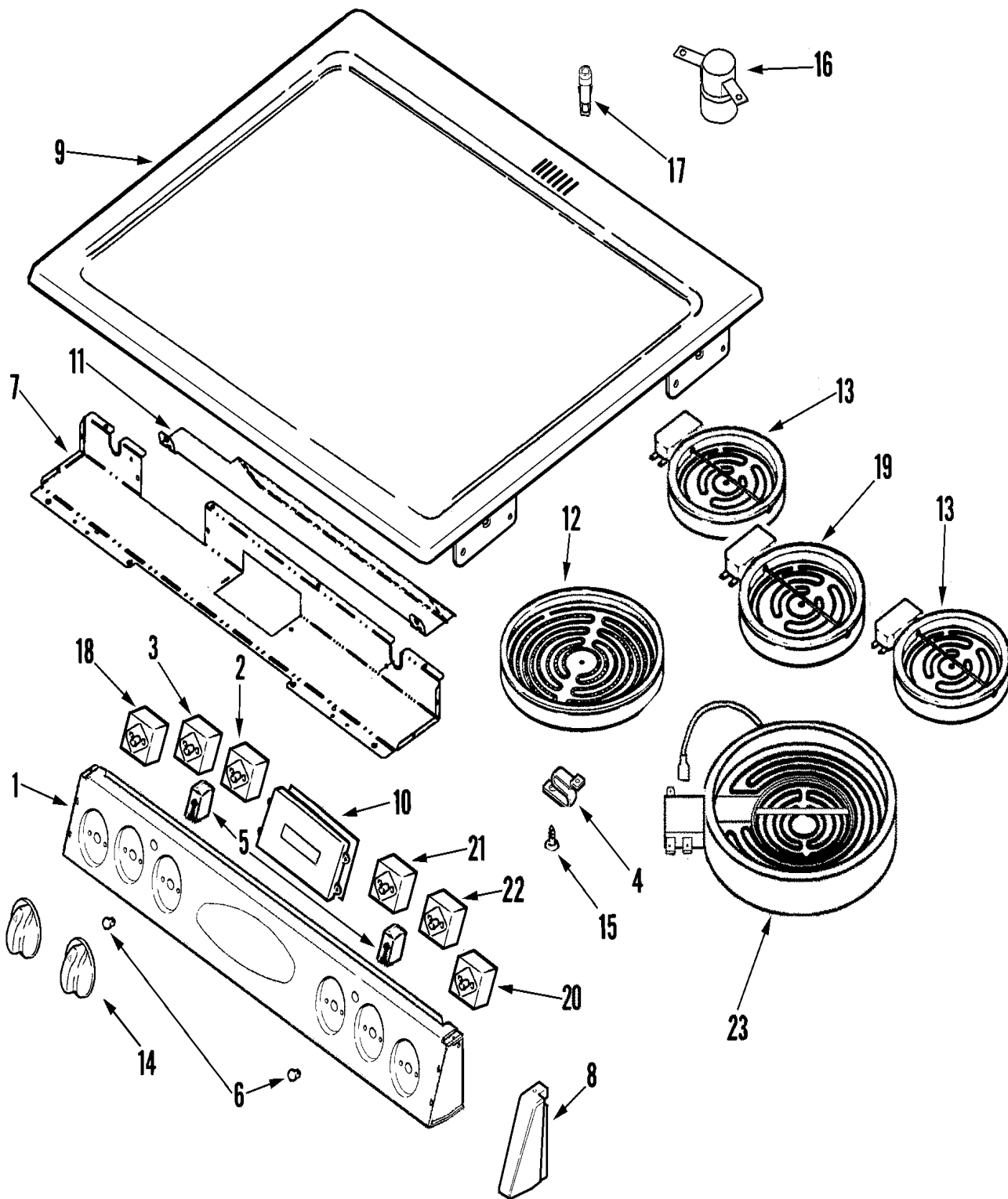
- Product Type
- Part Number
- Model Number
- Part Description

**MAYTAG**®

©2005 Maytag Services

Section: CONTROL PANEL/TOP ASY

Model: MES5875BCW



C10-684

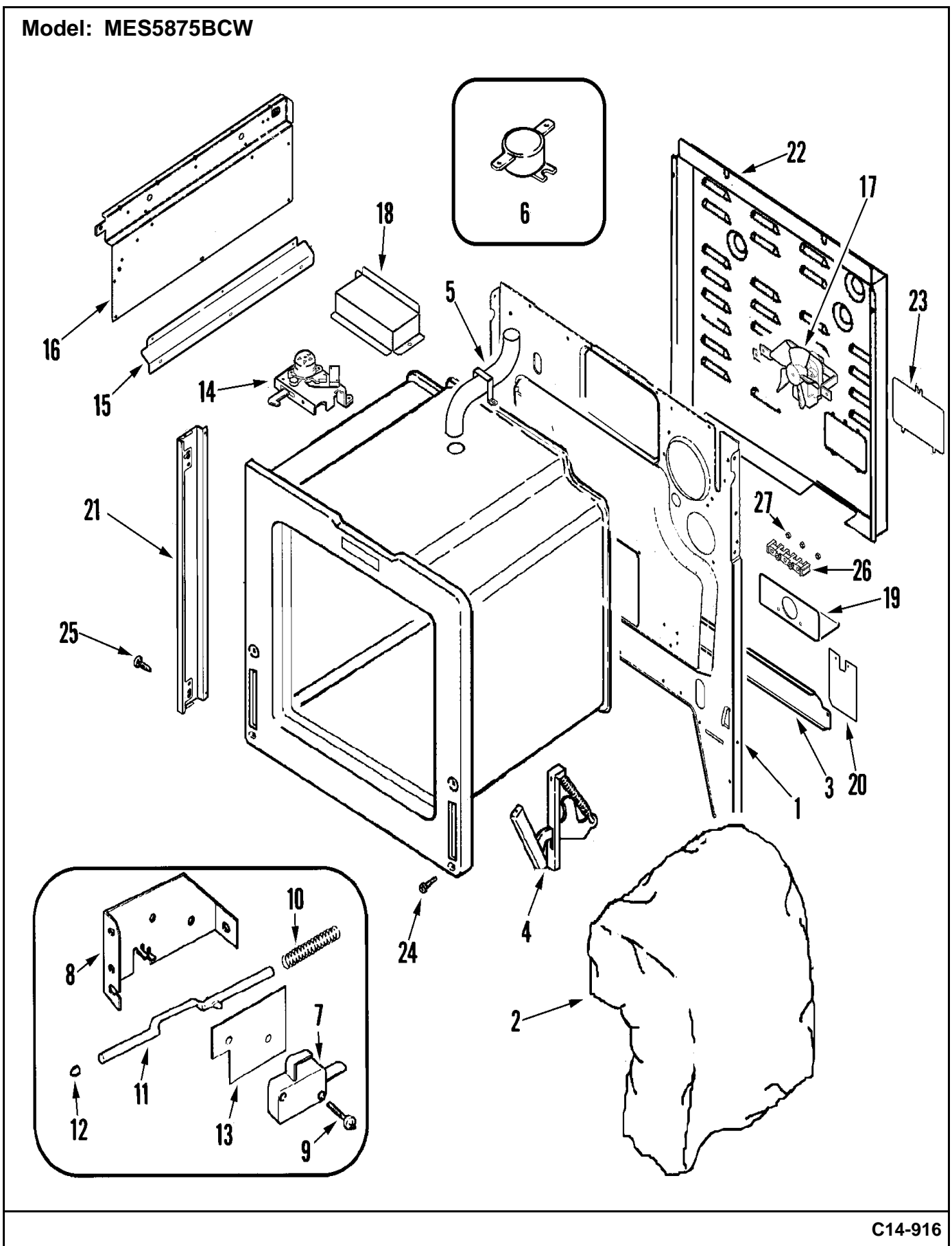
## Section: CONTROL PANEL/TOP ASY

No.	Part No.	Description	Series	Qty
1	74011076	PANEL, CONTROL (WHT)	10	1
2	7403P238-60	SWITCH, INFINITE (SML ELEMENT) Note: (LR)	10	1
3	74010824	SWITCH, ELEMENT (LRG) Note: (RF)	10	1
4	74007845	SUPPORT, ELEMENT	10	12
5	74004153	LIGHT, INDICATOR	10	2
6	7730P011-60	LENS, INDICATOR LIGHT	10	2
7	74010826	SUPPORT, CONTROL PANEL	10	1
8	74004821	CAP, END (WHT-RT)	10	1
8	74004822	CAP, END (WHT-LT)	10	1
9	74010667	TOP ASSEMBLY (WHT)	10	1
10	74010679	CLOCK/OVERLAY (WHT)	10	1
11	74010846	SHIELD, CONTROL	10	1
12	74008897	ELEMENT, DUAL (2400W) Note: (RF)	10	1
13	74008568	ELEMENT (1200W) Note: (LR/RR)	10	2
14	74008950	KNOB (WHT/CHR)	10	6
15	74003357	SCREW (6ABX.25-ZN)	10	24
16	74005759	TUBE, VENT (UPR)	10	1
17	Y706125	LIGHT, INDICATOR	10	1
18	74010825	SWITCH, ELEMENT (WARM ZONE) Note: (CTR)	10	1
19	74008898	ELEMENT, WARMING Note: (CTR)	10	1
20	74002929	SWITCH, SELECTOR	10	1
21	74008940	SWITCH, INFINITE (FLEX) Note: (RR)	10	1
22	74011070	SWITCH, INFINITE Note: (RF)	10	1
23	74011093	ELEMENT (TRIPLE) Note: (RF)	10	1

\*Color Code (-)=Not Shown #=Series, Serial Prefix or Run No., N=Not Available

Section: BODY

Model: MES5875BCW



C14-916

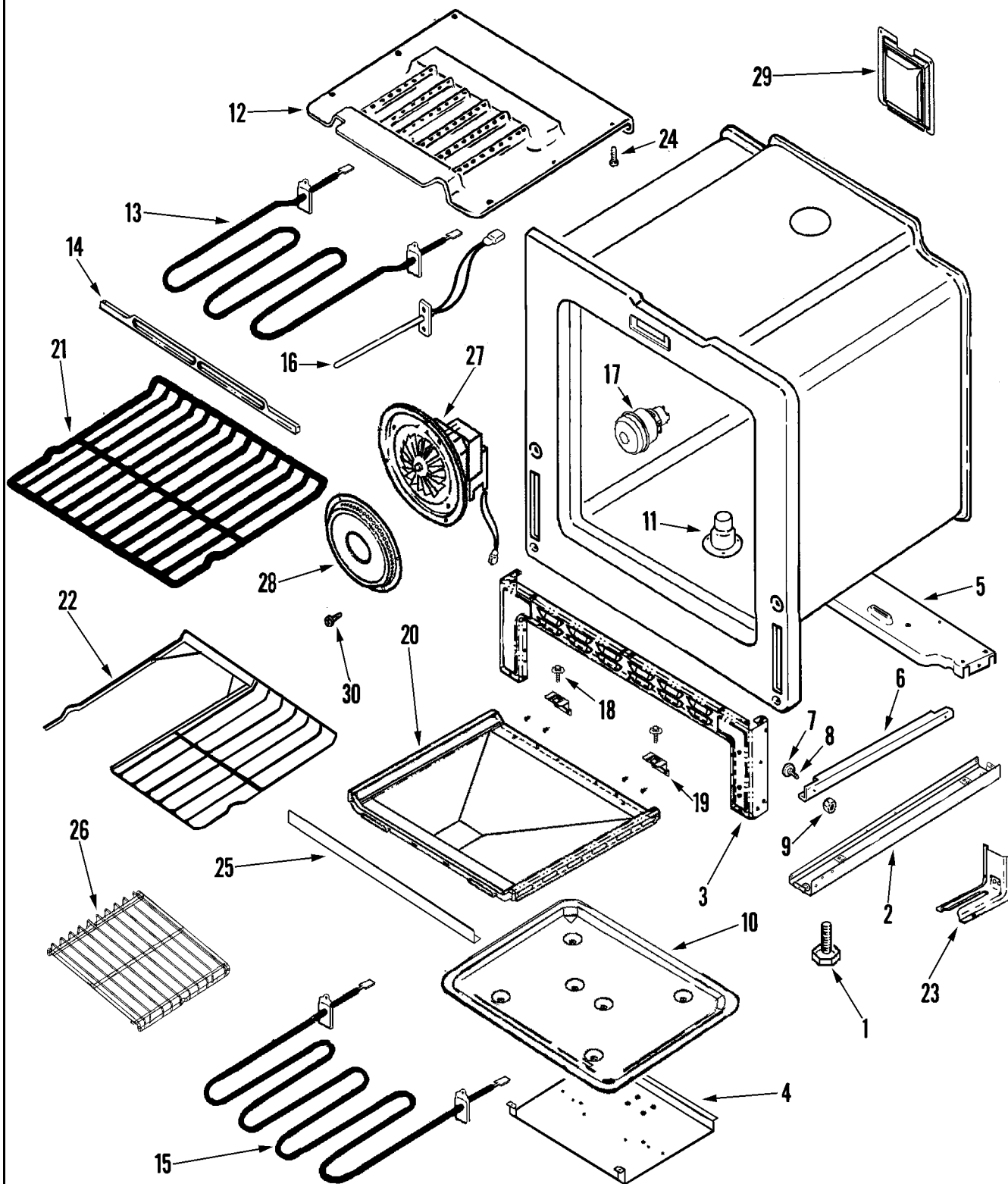
## Section: BODY

No.	Part No.	Description	Series	Qty
1	74010949	BACK, MAIN	10	1
2	74010813	INSULATION, WRAPPER	10	1
3	74010815	EXTENSION, MAIN BACK	10	1
4	74005725	HINGE, DOOR	10	2
-	74010817	HOLDER, VENT TUBE	10	1
5	74010816	TUBE, VENT	10	1
6	74010818	SWITCH, HI-LIMIT	10	1
7	74008263	SWITCH, DOOR LOCK	10	1
8	74001632	BRACKET, SWITCH ACTUATOR	10	1
9	22002368	SCREW----NA	10	2
10	74001629	SPRING, DOOR SWITCH	10	1
11	74003562	ROD, DOOR LIGHT SWITCH	10	1
12	74001631	BUMPER, ROD	10	1
13	74008264	INSULATOR	10	1
14	74011259	LATCH ASY	10	1
15	74010820	EXTENSION, HEAT SHEILD	10	2
16	74010821	PANEL, SHIELD (LT)	10	1
16	74010822	PANEL, SHIELD (RT)	10	1
17	74010823	FAN, COOLING	10	1
18	74010845	COVER, DOOR LATCH	10	1
19	74004180	BRACKET, POWER SUPPLY	10	1
20	74006364	INSULATOR, POWER CORD	10	1
21	74010832	TRIM, SIDE (WHT)	10	2
22	74006096	COVER, WIRE (REAR)	10	1
23	74005264	COVER, TERMINAL BLOCK	10	1
24	7101P112-60	SCREW	10	4
25	74003976	SCREW, SHOULDER	10	4
26	7401P039-60	BLOCK, TERMINAL	10	1
27	74006398	CORD, POWER	10	1
28	74009845	RELAY, AUXILIARY (DPDT)	10	1

\*Color Code (-)=Not Shown #=Series, Serial Prefix or Run No., N=Not Available

Section: OVEN/BASE

Model: MES5875BCW



C12-541

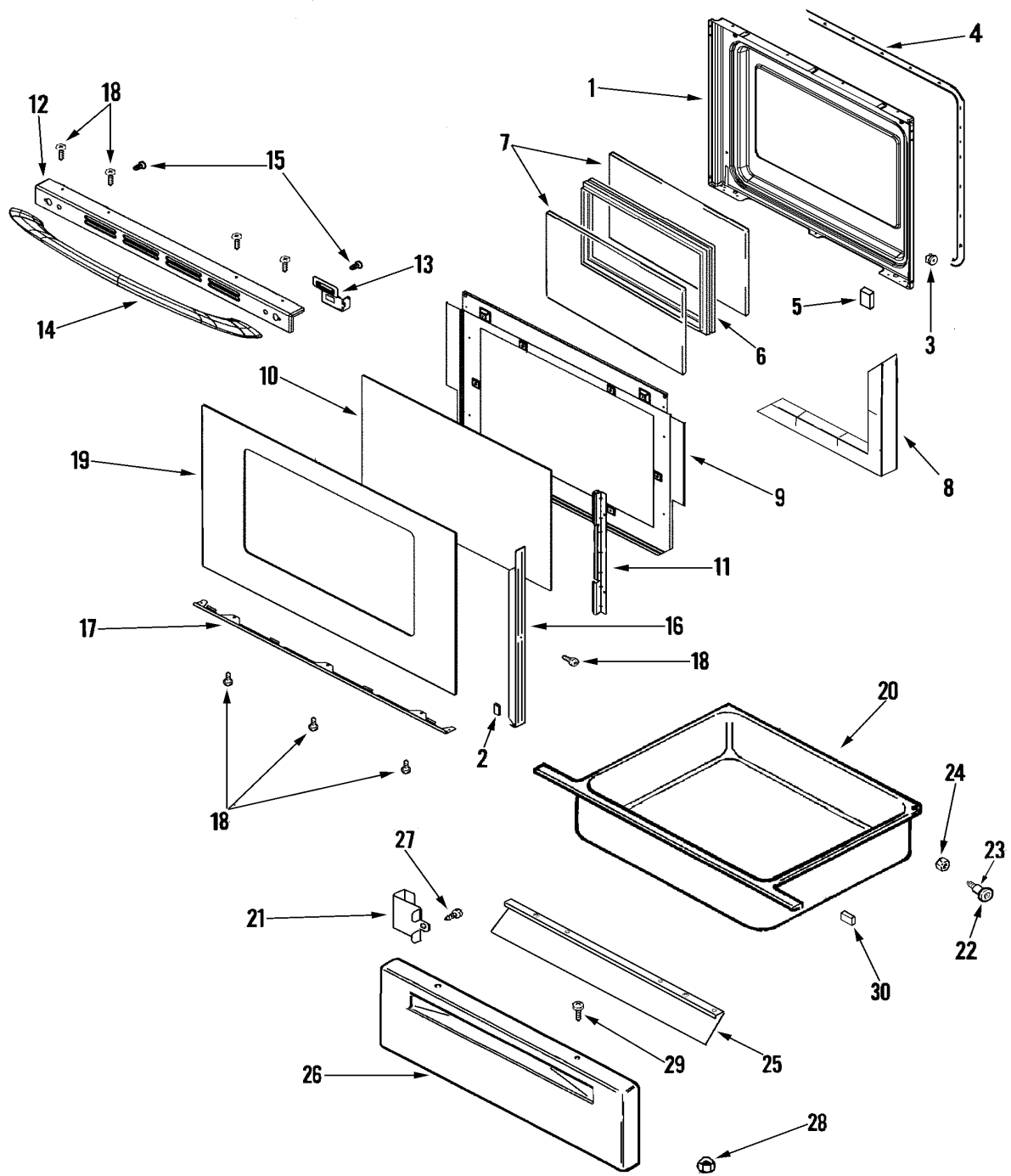
## Section: OVEN/BASE

No.	Part No.	Description	Series	Qty
1	74010805	SCREW, LEVELING LEG	10	4
2	74010899	BOTTOM, PEDESTAL	10	2
3	74010882	PEDESTAL, FRONT	10	2
4	74006591	SHIELD, WARMING DRAWER	10	1
5	74007129	SUPPORT, VALVE REGULATOR	10	1
6	74003565	RUNNER, DRAWER	10	2
7	74004078	ROLLER, DRAWER	10	2
8	74005231	SHAFT, STORAGE DRAWER ROLLER	10	2
9	74005230	NUT, LOCK (8-32)	10	2
10	74010806	PAN, BAKE	10	1
-	74010809	PLATE, VENT COVER	10	1
11	74010808	TUBE, VENT (LWR)	10	1
12	74010810	BAFFLE, BROIL	10	1
13	74003040	ELEMENT, BROIL (6 PASS)	10	1
14	74003563	SUPPORT, BROIL ELEMENT	10	1
15	74010811	ELEMENT, BAKE	10	1
16	74004943	SENSOR, OVEN (LONG)	10	1
17	74010885	LAMP ASSEMBLY	10	1
18	74003976	SCREW, SHOULDER	10	2
19	74010812	SUPPORT, OVEN BOTTOM	10	2
20	74010853	BOTTOM, OVEN	10	1
21	74001757	RACK, OVEN	10	2
22	74009589	RACK, CREATE A SPACE HALF 30"	10	1
23	74005564	BRACKET, ANTI-TIP	10	1
-	7101P352-60	SCREW	10	2
24	74010505	SCREW, 3/4" HEX HEAD	10	6
25	74010807	COVER, FRONT	10	1
26	74009587	INSERT, HALF RACK 30"	10	1
27	74011094	FAN ASSEMBLY, CONVECTION	10	1
28	74008315	COVER, CONVECT FAN	10	1
29	74010814	RETAINER, CONV INSULATION	10	1
30	7101P124-60	SCREW W/WASHER	10	6

\*Color Code (-)=Not Shown #=Series, Serial Prefix or Run No., N=Not Available

Section: DOOR/DRAWER

Model: MES5875BCW



C11-871



## Section: DOOR/DRAWER

No.	Part No.	Description	Series	Qty
1	74003642	LINING, DOOR	10	1
2	74004224	TAPE, SINGLE SIDED (WHT)	10	2
3	74001574	NUT, SNAP (ROUND-BLK)	10	4
4	7201P046-60	GASKET, DOOR	10	1
5	74005546	SPACER, RUBBER	10	2
6	74003644	FRAME, GLASS	10	1
7	74003645	GLASS, INNER	10	2
8	74003647	INSULATION, OVEN DOOR	10	2
9	74009502	BAFFLE, OVEN DOOR	10	1
10	74004857	GLASS W/TAPE ASSY	10	1
11	74003650	RETAINER, GLASS	10	2
12	74009690	TRIM, DOOR TOP (WHT)	10	1
13	74009699	BRACKET, DOOR HANDLE (LT)	10	1
13	74009698	BRACKET, DOOR HANDLE (RT)	10	1
14	74010972	HANDLE, DOOR (WHT)	10	1
15	74006635	SCREW W/WASHER (HANDLE MTG)	10	2
16	12002358	KIT, DOOR TRIM (WHT)	10	1
17	74009687	SUPPORT, GLASS (WHT)	10	1
18	74009540	SCREW (WHT)	10	9
19	12002396	KIT, DOOR GLASS (WHT)	10	1
20	74008333	DRAWER, STORAGE	10	1
21	74010896	BRACKET, DRAWER	10	2
22	74004078	ROLLER, DRAWER	10	2
23	74005231	SHAFT, STORAGE DRAWER ROLLER	10	2
24	7103P082-60	NUT	10	2
25	2404F030-51	LINING, DRAWER PANEL	10	1
26	74003407	PANEL, DRAWER (WHT)	10	1
27	74004310	SCREW, PANEL	10	2
28	74005230	NUT, LOCK (8-32)	10	2
29	74009540	SCREW (WHT)	10	2
30	74005546	SPACER, RUBBER	10	2

\*Color Code (-)=Not Shown #=Series, Serial Prefix or Run No., N=Not Available

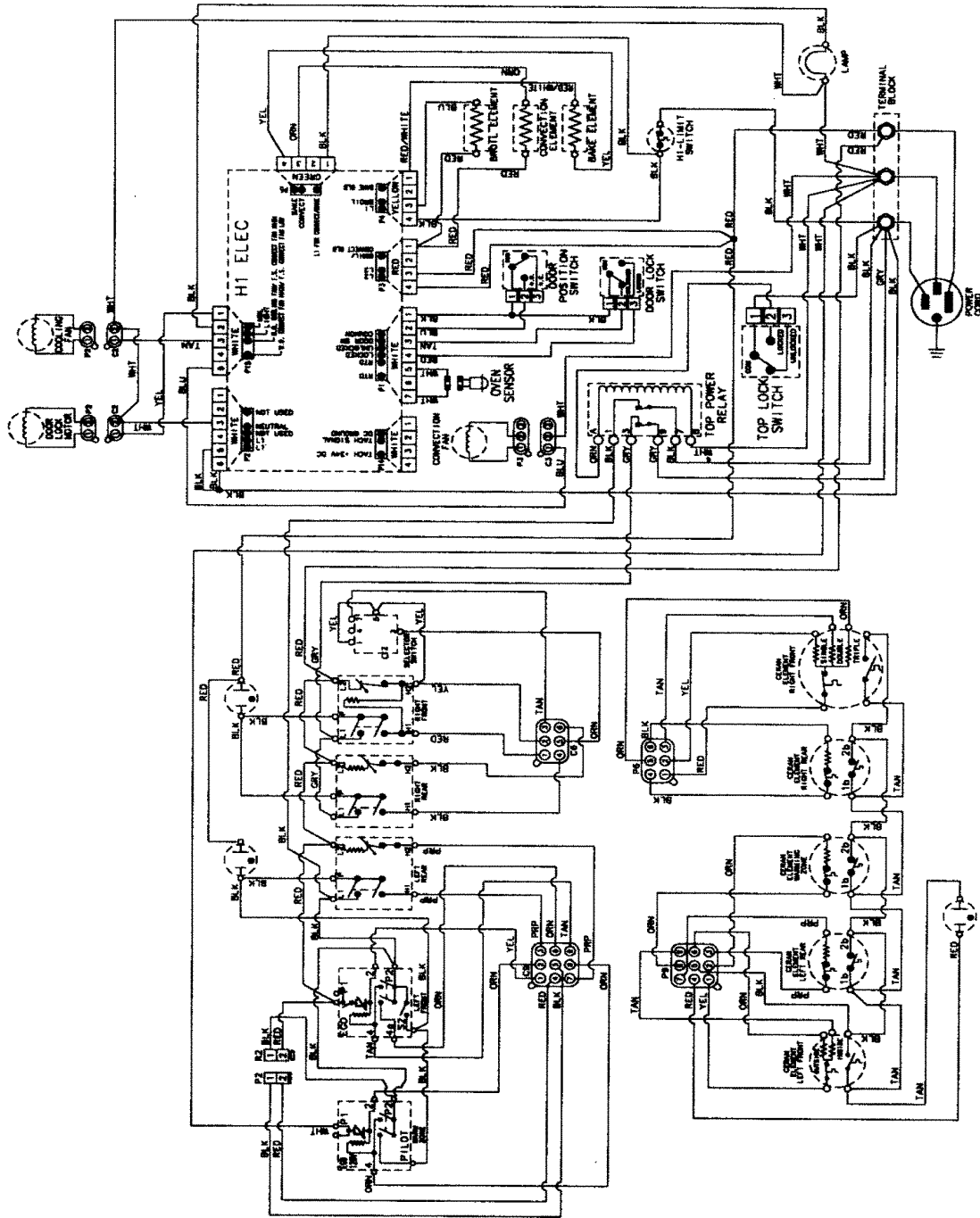
**Section: SUPPLEMENTAL INFORMATION**

No.	Part No.	Description	Series	Qty
-	8113P500-60	MANUAL, USE & CARE	10	1
-	8113P513-60	MANUAL, USE & CARE	11	1
-	74011084	HARNESS, MAIN	10	1
-	74011090	HARNESS, SWITCH (RT)	10	1
-	74010849	HARNESS, SENSOR/LATCH	10	1
-	74010851	HARNESS, SWITCH (LT)	10	1
-	74011092	HARNESS, TOP	10	1
-	20000001	COOKTOP CLEANING CREME	10	1
-	74006500	SCRAPER, RAZOR (METAL)	10	1
-	K71FILLW	KIT, EXTRUSION FILLER (WHT)	10	1
-	UXA1100AAW	KIT, SIDE PANEL (WHT)	10	1

\*Color Code (-)=Not Shown #=Series, Serial Prefix or Run No., N=Not Available

Section: WIRING INFORMATION

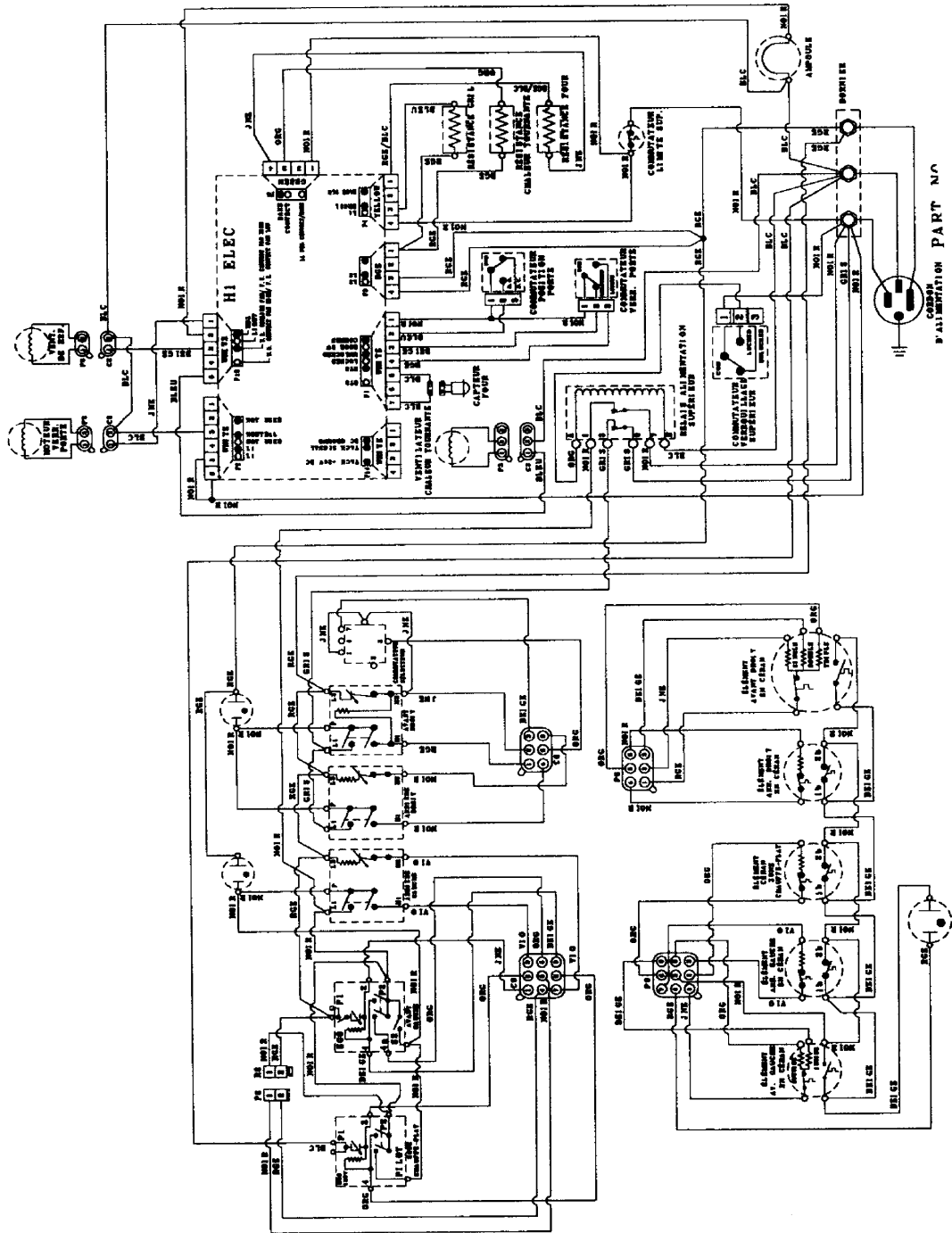
Model: MES5875BCW



15003750

Section: WIRING INFORMATION (FRENCH)

Model: MES5875BCW



15003751

**Section: WIRING INFORMATION (FRENCH)**

No.	Part No.	Description	Series Qty
-	N 15003751	WIRING INFORMATION	10 1

\*Color Code (-)=Not Shown #=Series, Serial Prefix or Run No., N=Not Available

