

## WALLOVEN

# Repair Parts List

MODEL NUMBER

JJW9130DDS

When requesting service or ordering parts, always provide the following information:

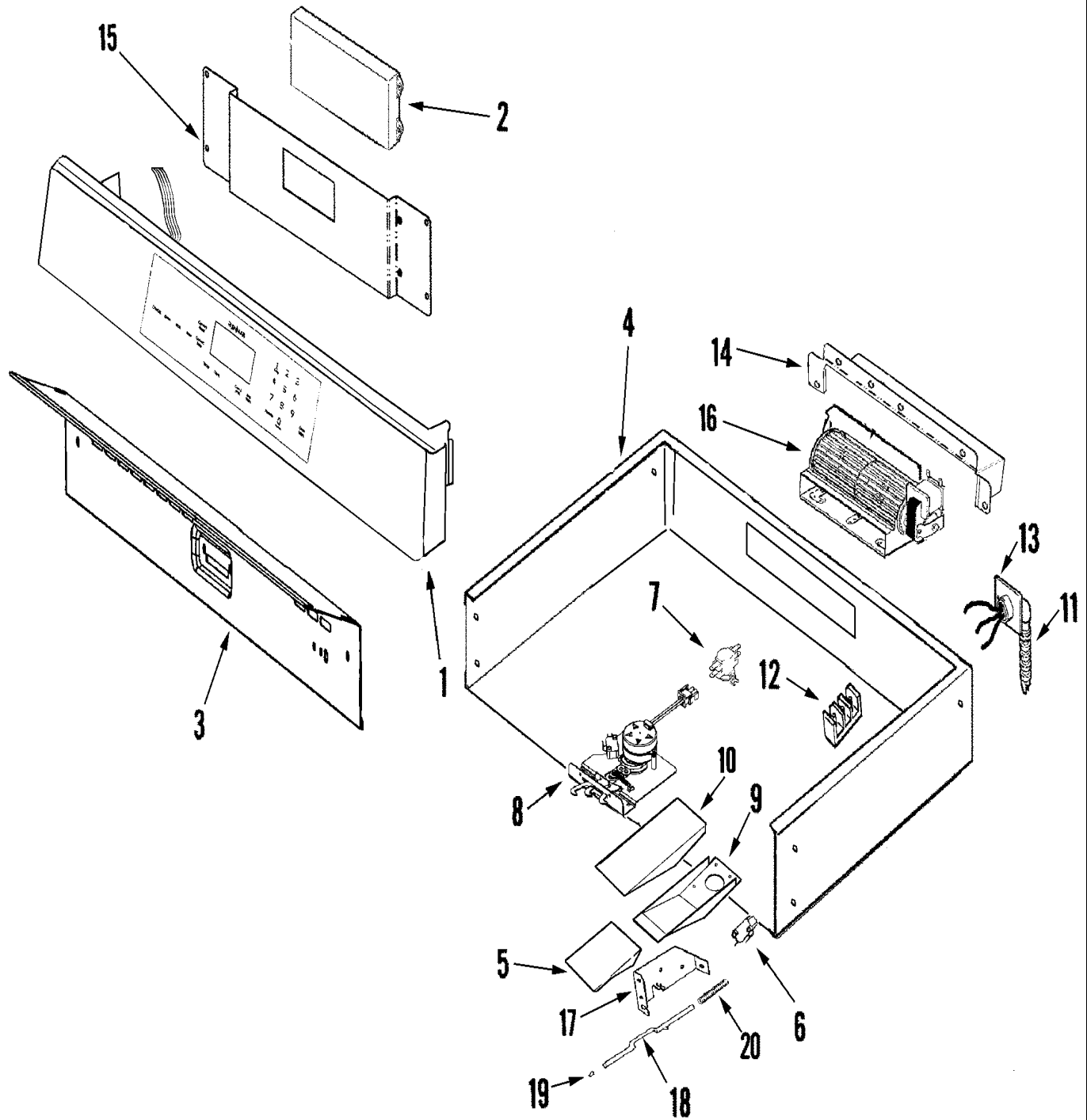
- Product Type
- Part Number
- Model Number
- Part Description

**MAYTAG**®

©2005 Maytag Services

Section: CONTROL PANEL AND INTERNAL CONTROLS

Model: JJW9130DDS



C10-574

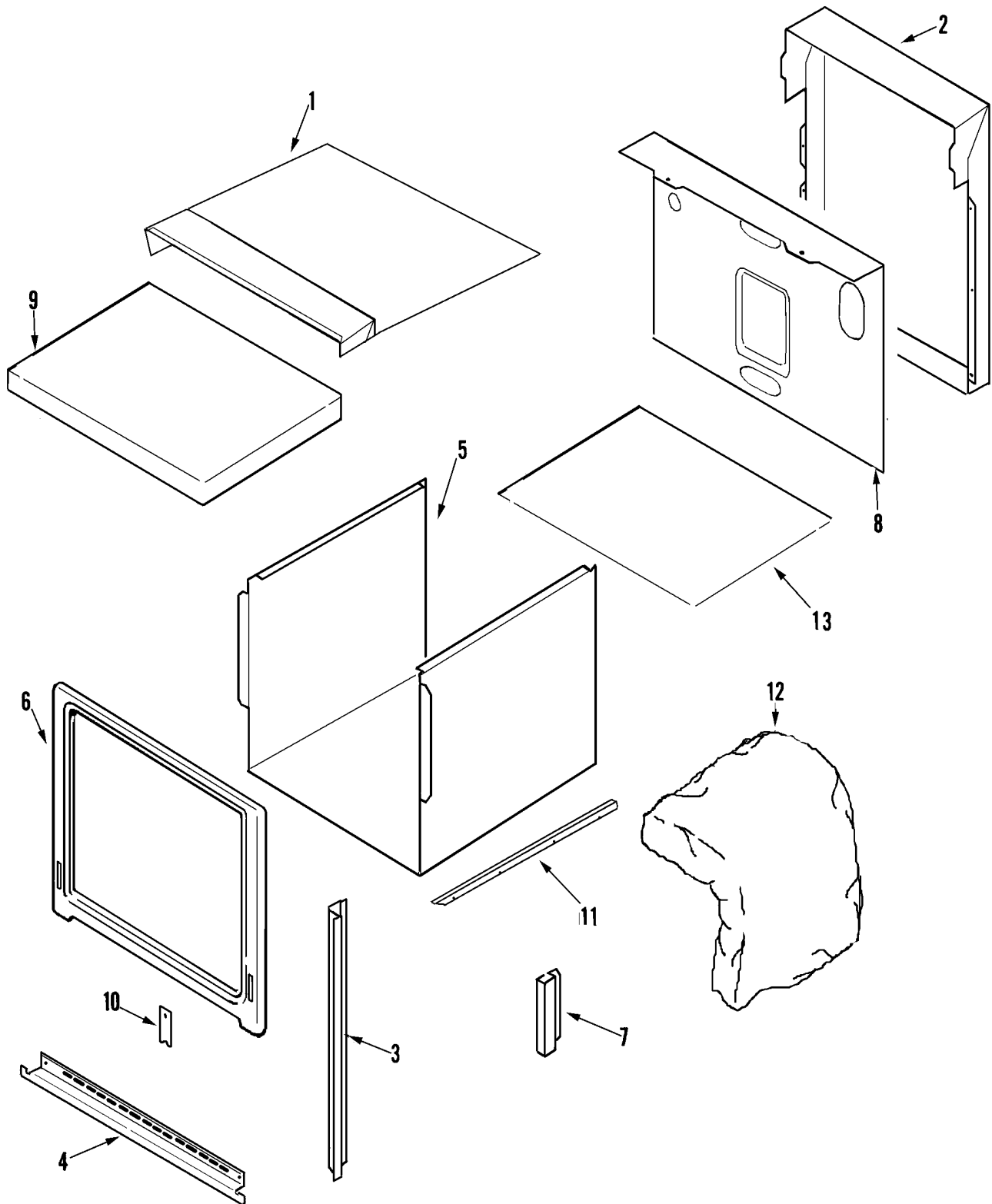
## Section: CONTROL PANEL AND INTERNAL CONTROL

No.	Part No.	Description	Series	Qty
1	74008958	PANEL, CONTROL (STL)	10	1
-	74008268	INSULATION	10	1
-	314848	SCREW Note: SCREW, CLOCK	10	4
2	74008952	CONTROL, H1 (CLOCK/CONVECT)	10	1
3	74008261	TRIM, CONTROL PANEL	10	1
4	74008262	PANEL, TOP (INR)	10	1
5	71001843	EXTENSION, VENT	10	1
6	74008263	SWITCH, DOOR LOCK	10	1
6	74008264	INSULATOR	10	1
7	74008265	THERMOSTAT, HI-LIMIT (UPR) Note: THERMOSTAT, HI-LIMIT	10	1
-	314848	SCREW Note: SCREW, THERMOSTAT	10	2
-	7101P330-60	SCREW, SWITCH	10	4
8	74008267	LATCH, DOOR ASSY. (W/SWITCH)	10	1
9	74008294	VENT (BTM)	10	1
10	71001847	VENT (TOP)	10	1
11	74004735	CABLE ASSEMBLY	10	1
-	74004222	GROMMET, ANTI-SHORT	10	1
12	7401P039-60	BLOCK, TERMINAL	10	1
-	7103P027-60	NUT, TERMINAL BLOCK	10	3
-	7417P017-60	CONNECTOR, CABLE	10	1
-	74008298	KIT, HARDWARE ADAPTER	10	1
13	74004712	BRACKET, CABLE	10	1
14	74008330	BRACKET, COOLING FAN MOUNTING	10	1
15	74008299	BRACKET, CONTROL MOUNTING (H1)	10	1
16	74008269	FAN MOTOR ASSY.	10	2
17	74001632	BRACKET, SWITCH ACTUATOR	10	1
18	74003562	ROD, DOOR LIGHT SWITCH	10	1
19	74007586	COVER, PLUNGER (DOOR LIGHT)	10	1
20	74001629	SPRING, DOOR SWITCH	10	1

\*Color Code (-)=Not Shown #=Series, Serial Prefix or Run No., N=Not Available

Section: BODY

Model: JJW9130DDS



C14-814

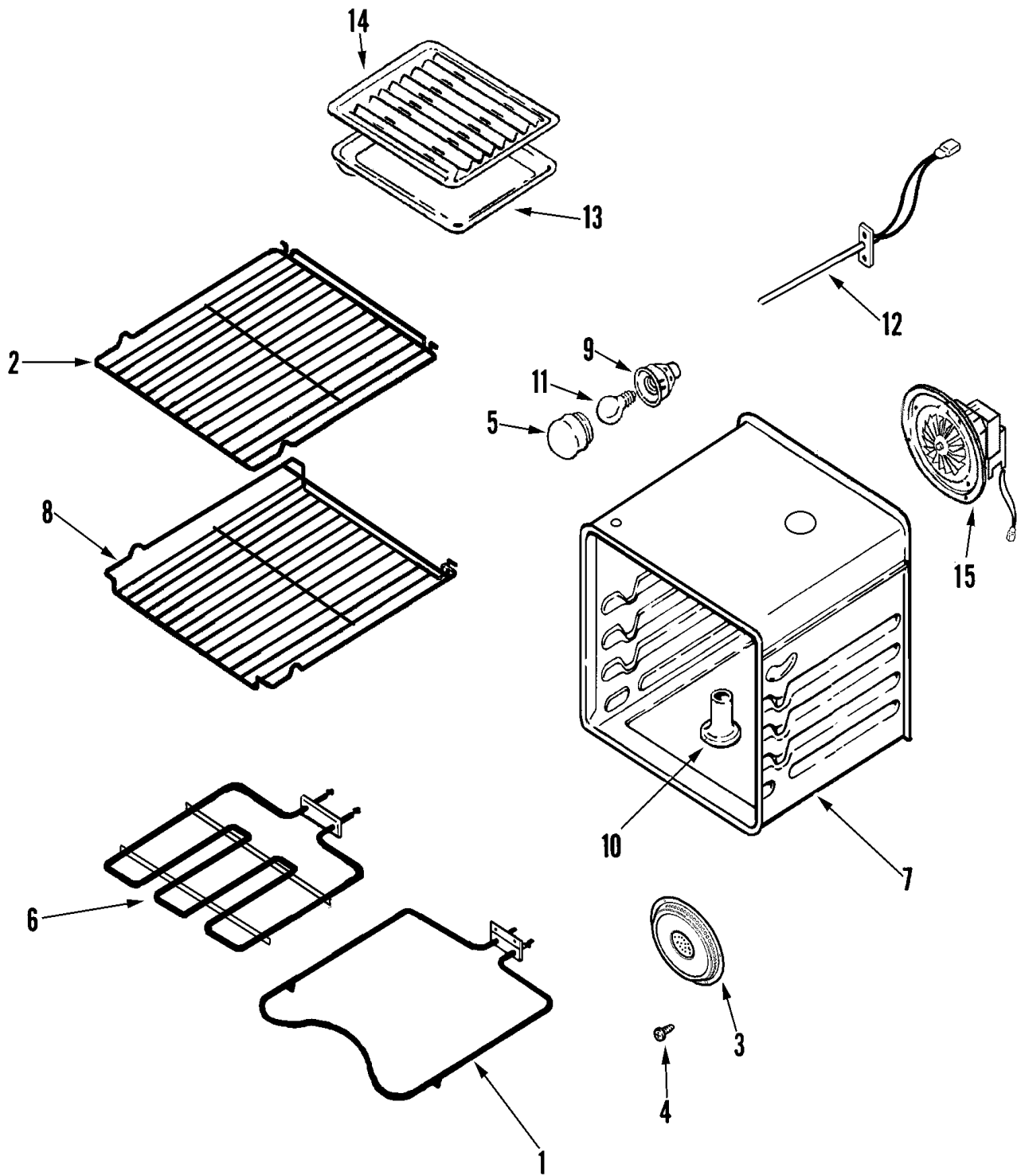
**Section: BODY**

No.	Part No.	Description	Series	Qty
-	Y700502	SCREW Note: SCREW, TOP	10	9
1	74008271	TOP (OUTER)	10	1
-	Y700502	SCREW	10	6
2	71001813	COVER, MAIN BACK	10	1
-	Y700502	SCREW	10	6
3	74008309	TRIM, SIDE (BLK)	10	2
-	Y706189	SCREW Note: SCREW, TRIM (BLK)	10	3
4	74005643	TRIM, OVEN (LWR-BLK) Note: TRIM, OVEN (BLK)	10	1
5	74008275	PANEL, SIDE	10	2
6	71003180	FRAME, OVEN	10	1
-	74009539	SCREW (BLK)	10	2
-	74009646	BUMPER, RUBBER	10	2
7	74008015	RECEPTACLE, HINGE ASSY.	10	2
8	74008276	PANEL, BACK INSULATION RETAIN	10	1
9	74008279	INSULATION (BACK/TOP)	10	1
10	71001812	PLATE, HINGE TRAP Note: PLATE, HINGE TRAP	10	2
11	74008280	BOTTOM, BRACE	10	2
-	Y700502	SCREW	10	6
12	74008278	INSULATION (WRAP)	10	1
13	71003614	INSULATION (BTM) Note: INSULATION (BOTTOM)	10	1
-	71002264	SCREW (BLK) Note: SCREW, INSTALLATION (BLK)	10	8

\*Color Code (-)=Not Shown #=Series, Serial Prefix or Run No., N=Not Available

Section: OVEN

Model: JJW9130DDS



C12-483

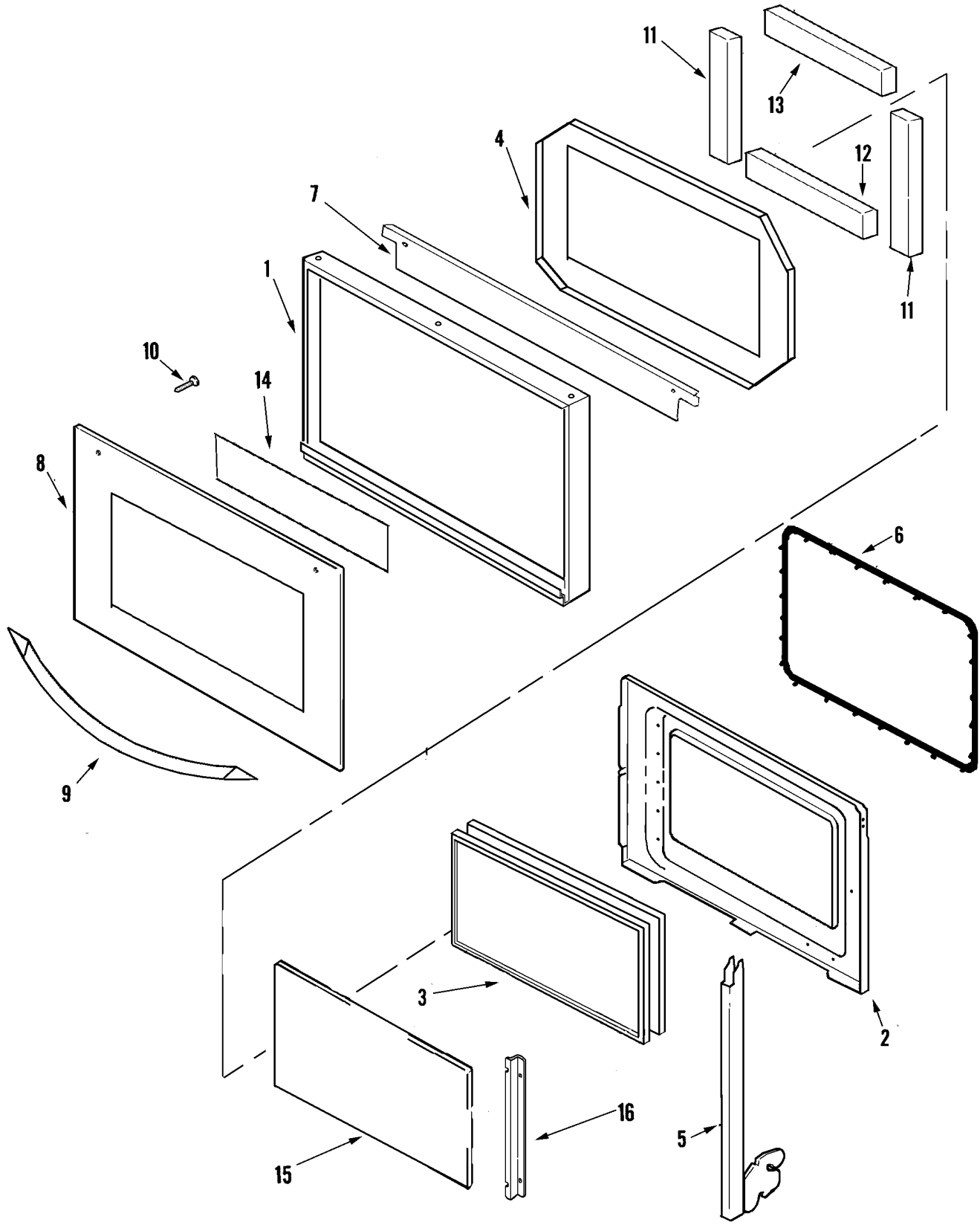
## Section: OVEN

No.	Part No.	Description	Series	Qty
1	71001638	ELEMENT, BAKE	10	1
-	71001395	SCREW Note: SCREW, ELEMENT	10	2
2	71001862	RACK, OVEN	10	1
3	74008315	COVER, CONVECT FAN	10	1
4	74003976	SCREW, SHOULDER Note: SCREW, COVER	10	3
5	71001867	LENS, BULB	10	1
-	71001395	SCREW Note: SCREW, ELEMENT	10	2
6	74004812	ELEMENT, BROIL	10	1
7	74008329	OVEN WELD ASSY.	10	1
-	71001394	SCREW Note: SCREW, OVEN WELD	10	5
8	71001865	RACK, OVEN (OFFSET)	10	1
9	N 71001866	RECEPTACLE, BULB	10	1
10	71002419	TUBE, VENT	10	1
11	707319	BULB, OVEN (40 WATT BRASS)	10	1
12	74004943	SENSOR, OVEN (LONG)	10	1
-	71001394	SCREW Note: SCREW, SENSOR	10	2
13	Y3401F02019	PAN, BROIL	10	1
14	Y3413F01619	INSERT, BROIL PAN	10	1
15	74008317	FAN ASSEMBLY, CONVECTION	10	1

\*Color Code (-)=Not Shown #=Series, Serial Prefix or Run No., N=Not Available

Section: DOOR

Model: JJW9130DDS



C11-773



## Section: DOOR

No.	Part No.	Description	Series	Qty
-	Y706189	SCREW Note: SCREW, FRAME (BLK)	10	6
1	74008320	FRAME, DOOR (BLK)	10	1
2	74005642	LINER, OVEN DOOR	10	1
3	74005641	WINDOW ASSEMBLY	10	1
4	74005648	RETAINER, INSULATION	10	1
-	Y700502	SCREW	10	4
5	74008014	HINGE, DOOR	10	2
-	7101P270-60	SCREW, BLACK Note: SCREW, HINGE (BLK)	10	2
6	71001841	SEAL, DOOR	10	1
-	74004069	SCREW (#10 X 3/4")	10	4
7	74008284	BRACKET, HANDLE	10	1
8	74008308	GLASS, DOOR (W/STL OVERLAY)	10	1
9	74006964	HANDLE, DOOR (BLK)	10	1
10	74002483	SCREW Note: SCREW, DOOR HANDLE	10	2
-	74008302	WASHER, FIBER	10	2
11	74008285	INSULATION, DOOR (SIDE)	10	2
12	74008286	INSULATION, DOOR (BTM)	10	1
13	74008287	INSULATION, (DOOR-TOP)	10	1
-	Y700502	SCREW	10	4
14	74008300	INSULATION, DOOR HANDLE (FOIL)	10	1
14	74008288	HEAT SHIELD, DOOR	10	1
-	74008297	INSULATION, HEAT SHIELD	10	1
15	74008289	GLASS, DOOR INNER	10	1
-	Y700502	SCREW	10	4
16	74003650	RETAINER, GLASS	10	2

\*Color Code (-)=Not Shown #=Series, Serial Prefix or Run No., N=Not Available

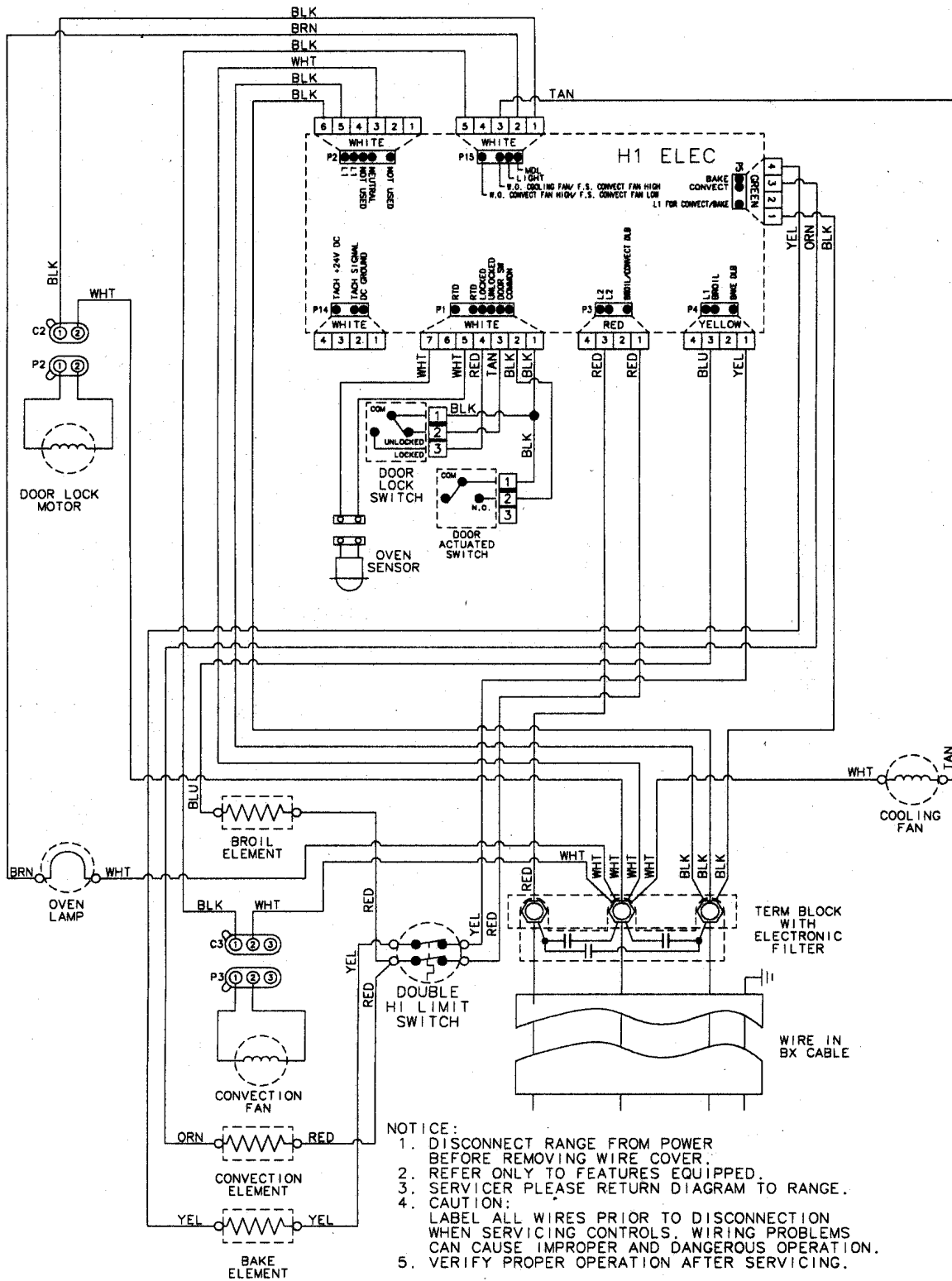
**Section: SUPPLEMENTAL INFORMATION**

No.	Part No.	Description	Series	Qty
-	74008295	HARNESS, H1 LOCK & SENSOR	10	1
-	74008316	HARNESS, MAIN WIRE W/FILTER	10	1
-	74008311	MANUAL, USE & CARE	10	1
-	74007136	GUIDE, COOKING (TRILINGUAL)	10	1
-	UXA4905ADX	KIT, HALF RACK SALES (4.0)	10	1
-	16022506	SVC MAN, WALLOVEN ELEC PEGASUS	10	1
-	16026545	TECH SHT, WALL OVEN, ELECT	10	1

\*Color Code (-)=Not Shown #=Series, Serial Prefix or Run No., N=Not Available

# Section: WIRING INFORMATION

Model: JJW9130DDS

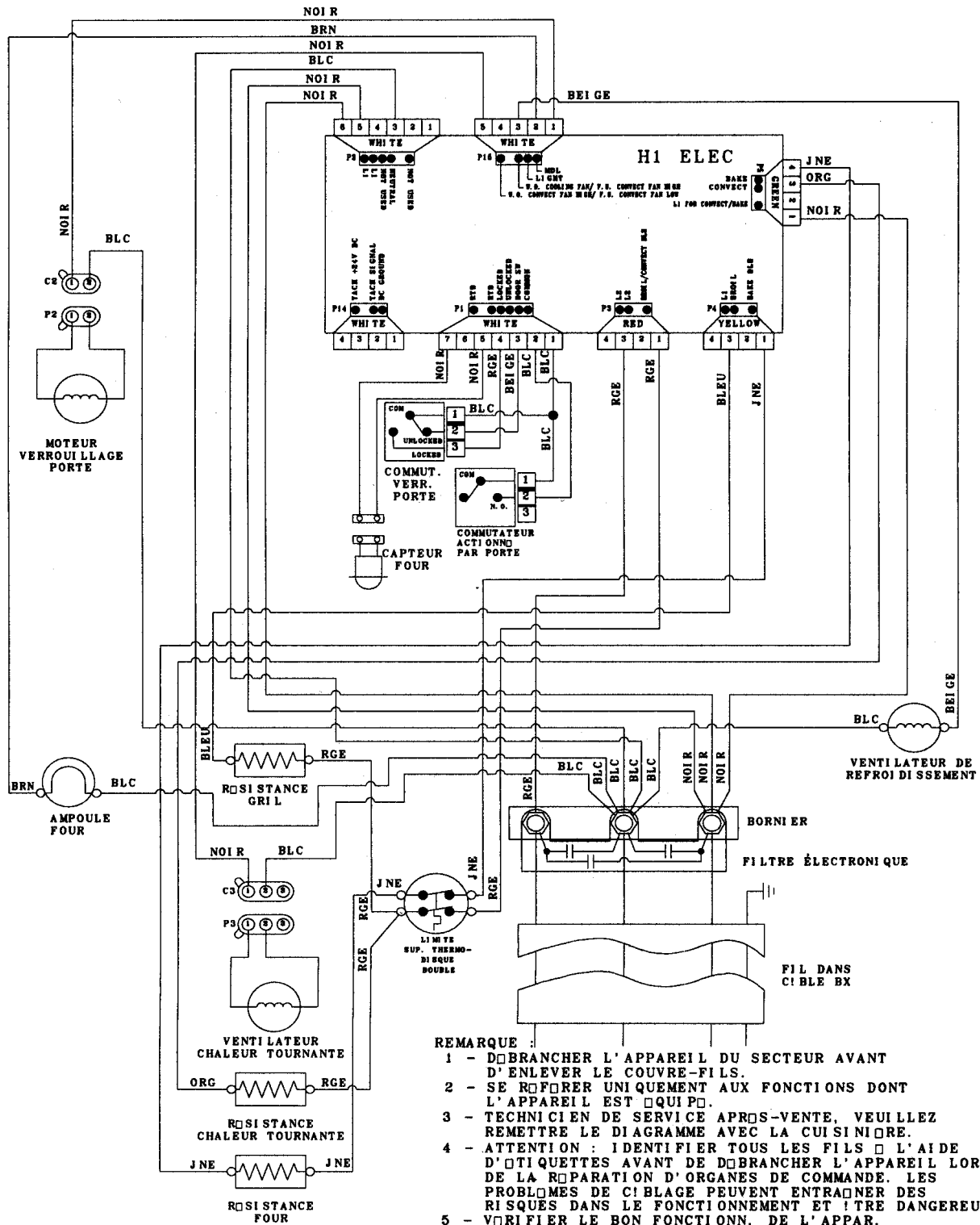


- NOTICE:**
1. DISCONNECT RANGE FROM POWER BEFORE REMOVING WIRE COVER.
  2. REFER ONLY TO FEATURES EQUIPPED.
  3. SERVICER PLEASE RETURN DIAGRAM TO RANGE.
  4. CAUTION: LABEL ALL WIRES PRIOR TO DISCONNECTION WHEN SERVICING CONTROLS. WIRING PROBLEMS CAN CAUSE IMPROPER AND DANGEROUS OPERATION.
  5. VERIFY PROPER OPERATION AFTER SERVICING.

15003252

Section: WIRING INFORMATION

Model: JJW9130DDS



- REMARQUE :
- 1 - D'ENLEVER L'APPAREIL DU SECTEUR AVANT D'ENLEVER LE COUVRE-FILS.
  - 2 - SE REFOURER UNIQUEMENT AUX FONCTIONS DONT L'APPAREIL EST EQUIPE.
  - 3 - TECHNICIEN DE SERVICE APRES-VENTE, VEUILLEZ REMETTRE LE DIAGRAMME AVEC LA CUISINIERE.
  - 4 - ATTENTION : IDENTIFIER TOUS LES FILS A L'AIDE D'ETIQUETTES AVANT DE BRANCHER L'APPAREIL LORS DE LA REPARATION D'ORGANES DE COMMANDE. LES PROBLMES DE CBLAGE PEUVENT ENTRAINER DES RISQUES DANS LE FONCTIONNEMENT ET ETRE DANGEREUX.
  - 5 - VRIIFIER LE BON FONCTIONN. DE L'APPAR. UNE FOIS LA REPARATION EFFECTUEE.

15003253

