

DBL OVEN RANGE

Repair Parts List

MODEL NUMBER

JJW9430DDS

When requesting service or ordering parts, always provide the following information:

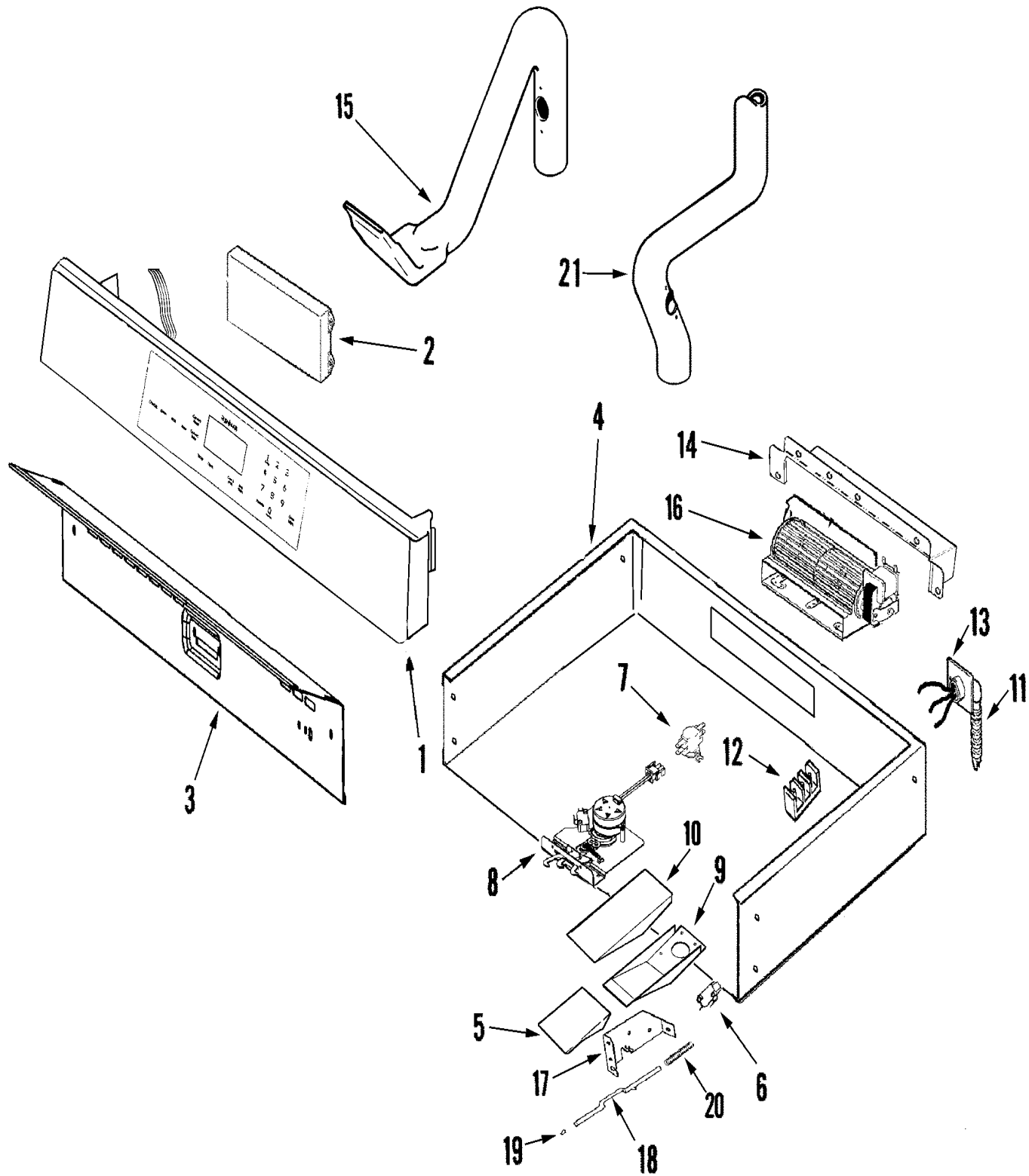
- Product Type
- Part Number
- Model Number
- Part Description

MAYTAG®

©2005 Maytag Services

Section: CONTROL PANEL AND INTERNAL CONTROLS

Model: JJW9430DDS



C10-577

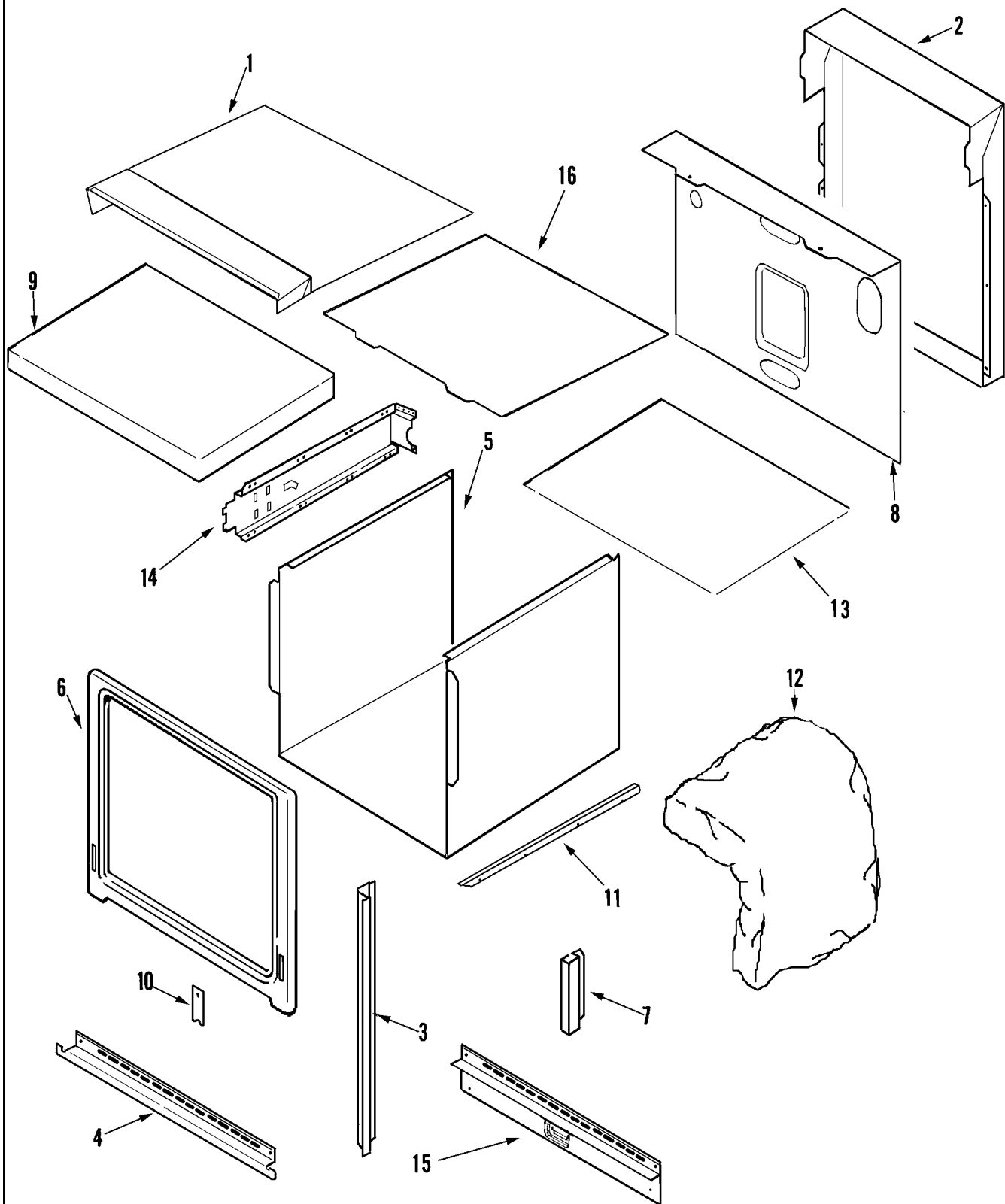
Section: CONTROL PANEL AND INTERNAL CONTROL

No.	Part No.	Description	Series	Qty
1	74008955	PANEL, CONTROL (STL)	10	1
-	74008268	INSULATION	10	1
- N	314848	SCREW Note: SCREW, CLOCK	10	4
2	74008953	CONTROL, H2 (CLOCK/CONVECT)	10	1
3	74008261	TRIM, CONTROL PANEL	10	1
4	74008262	PANEL, TOP (INR)	10	1
5	71001843	EXTENSION, VENT	10	1
6	74008263	SWITCH, DOOR LOCK	10	2
6	74008264	INSULATOR	10	2
7	74008266	THERMOSTAT, HI-LIMIT (LWR)	10	1
7	74008265	THERMOSTAT, HI-LIMIT (UPR)	10	1
- N	314848	SCREW Note: SCREW, THERMOSTAT	10	4
-	7101P330-60	SCREW, SWITCH	10	4
8	74008267	LATCH, DOOR ASSY. (W/SWITCH)	10	2
9	74008294	VENT (BTM)	10	1
10	71001847	VENT (TOP)	10	1
11	74004726	WIRE CABLE ASSY.	10	1
-	74004222	GROMMET, ANTI-SHORT	10	1
12	7401P038-60	BLOCK, TERMINAL	10	1
-	7103P027-60	NUT, TERMINAL BLOCK	10	1
-	7417P017-60	CONNECTOR, CABLE	10	1
-	74008298	KIT, HARDWARE ADAPTER	10	1
13	74004712	BRACKET, CABLE	10	1
-	Y700502	SCREW	10	2
14	74008330	BRACKET, COOLING FAN MOUNTING	10	1
15	71002417	TUBE, VENT (UPR)	10	1
16	74008269	FAN MOTOR ASSY.	10	2
17	74001632	BRACKET, SWITCH ACTUATOR	10	2
18	74003562	ROD, DOOR LIGHT SWITCH	10	2
19	74001631	BUMPER, ROD	10	1
20	74001629	SPRING, DOOR SWITCH	10	2
21 N	71002418	TUBE, VENT (LWR)	10	1

*Color Code (-)=Not Shown #=Series, Serial Prefix or Run No., N=Not Available

Section: BODY

Model: JJW9430DDS



C14-815

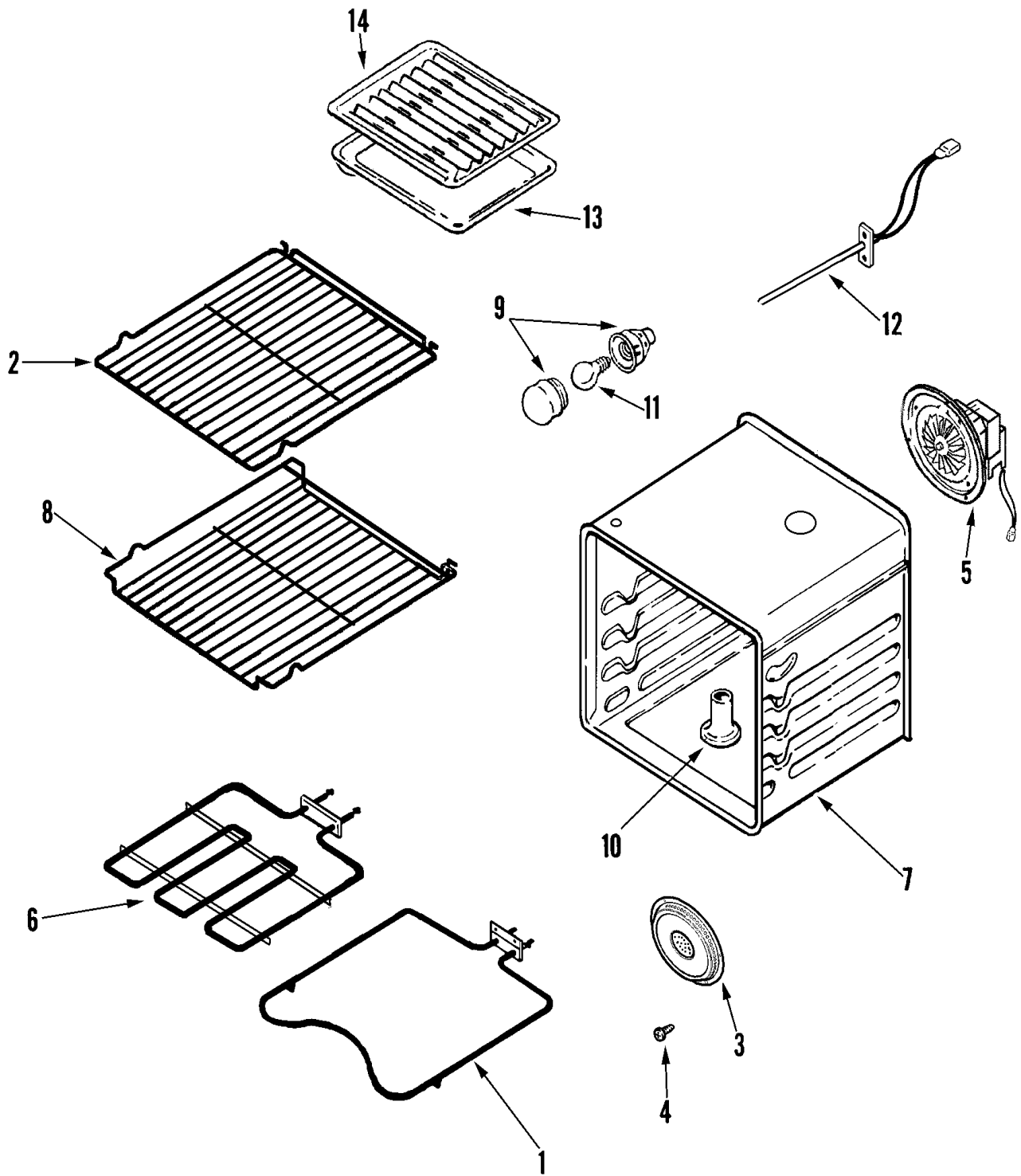
Section: BODY

No.	Part No.	Description	Series	Qty
-	Y700502	SCREW Note: SCREW, TOP	10	14
1	74008271	TOP (OUTER)	10	1
- N	71001883	BACK, OUTER (LWR)	10	1
-	Y700502	SCREW	10	12
2	74008272	BACK, OUTER (UPR)	10	1
- N	314848	SCREW Note: SCREW, TRIM	10	12
3	74008273	TRIM, SIDE (BLK)	10	2
-	74009539	SCREW (BLK) Note: SCREW, TRIM (BLK)	10	4
4	74005643	TRIM, OVEN (LWR-BLK) Note: TRIM, OVEN (LWR-BLK)	10	1
5	74008275	PANEL, SIDE	10	2
-	74009646	BUMPER, RUBBER	10	4
6	71003180	FRAME, OVEN	10	2
-	74009539	SCREW (BLK)	10	4
7	74008015	RECEPTACLE, HINGE ASSY.	10	4
8	74008276	PANEL, BACK INSULATION RETAIN	10	2
9	74008279	INSULATION (BACK/TOP)	10	2
10	71001812	PLATE, HINGE TRAP Note: PLATE, HINGE TRAP	10	4
11	74008280	BOTTOM, BRACE	10	2
-	Y700502	SCREW	10	6
12	74008278	INSULATION (WRAP)	10	2
13	71003614	INSULATION (BTM) Note: INSULATION (BOTTOM)	10	2
-	71003411	PLATE, COVER (CENTER SUPPORT) Note: PLATE, COVER	10	1
14	04100669	SUPPORT (CTR) Note: SUPPORT, CENTER	10	2
-	7101P040-60	SCREW (1/2")	10	2
15	74008277	EXTRUSION, CENTER	10	1
16	71001885	PANEL, TOP (INR-CTR)	10	1
-	71002264	SCREW (BLK) Note: SCREW, INSTALLATION (BLK)	10	8

*Color Code (-)=Not Shown #=Series, Serial Prefix or Run No., N=Not Available

Section: OVEN

Model: JJW9430DDS



C12-533

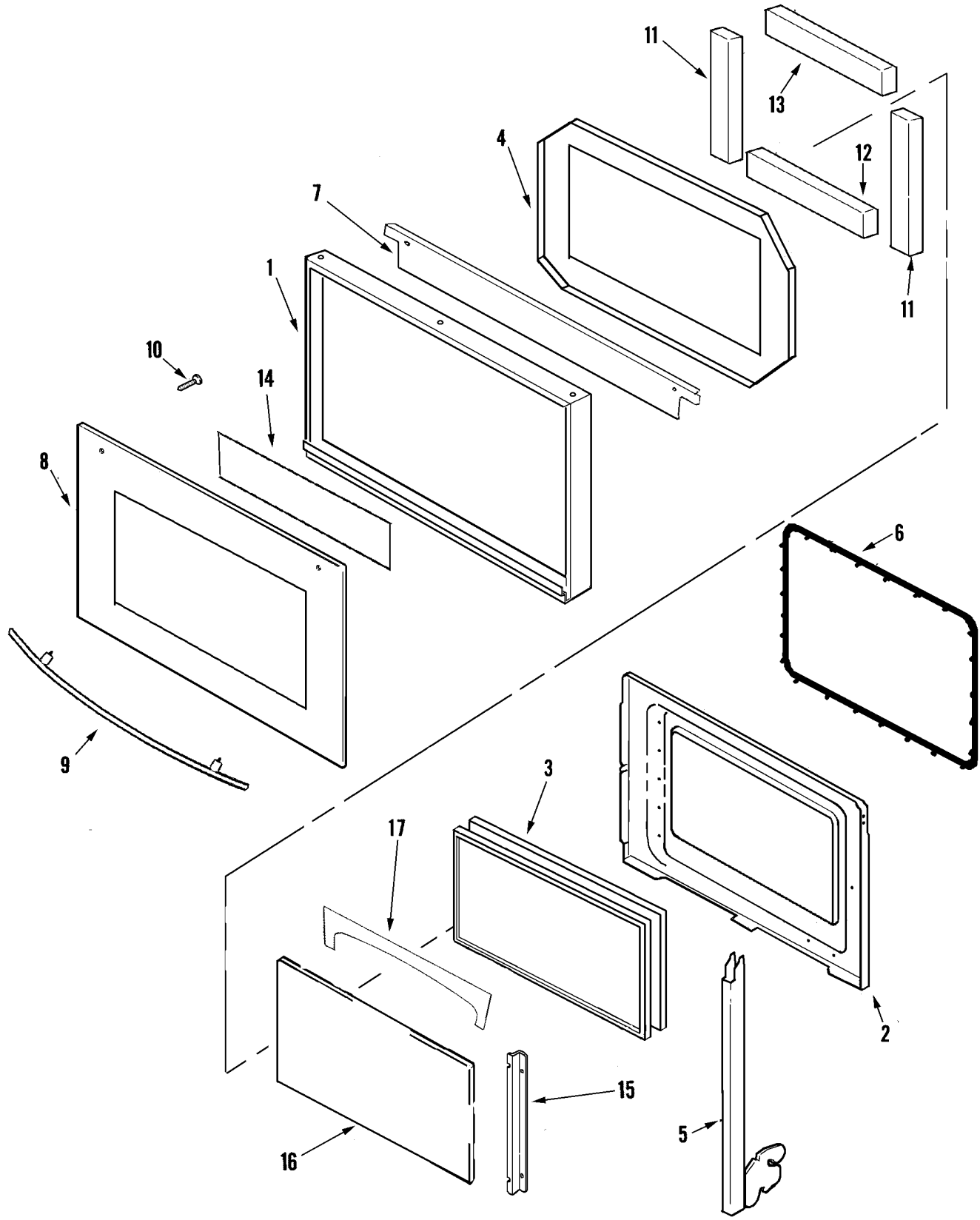
Section: OVEN

No.	Part No.	Description	Series	Qty
1	71001638	ELEMENT, BAKE	10	2
-	71001395	SCREW Note: SCREW, ELEMENT	10	4
2	71001862	RACK, OVEN	10	3
-	71002903	PLATE, NON-CONVECT	10	1
3	74008315	COVER, CONVECT FAN	10	1
4	74003976	SCREW, SHOULDER Note: SCREW, COVER	10	9
5	74008317	FAN ASSEMBLY, CONVECTION	10	1
-	71001395	SCREW Note: SCREW, ELEMENT	10	4
-	71001394	SCREW	10	4
6	74004812	ELEMENT, BROIL	10	1
7	74008329	OVEN WELD ASSY.	10	2
-	71001170	CLIP, OVEN	10	2
8	71001865	RACK, OVEN (OFFSET)	10	2
9	71002427	OVEN LIGHT ASSY.	10	2
10	71002419	TUBE, VENT	10	2
11	7407P103-60	BULB, OVEN	10	2
-	71001394	SCREW Note: SCREW, SENSOR	10	4
12	74004943	SENSOR, OVEN (LONG)	10	2
13	Y3401F02019	PAN, BROIL	10	1
14	Y3413F01619	INSERT, BROIL PAN	10	1

*Color Code (-)=Not Shown #=Series, Serial Prefix or Run No., N=Not Available

Section: DOOR (UPPER & LOWER)

Model: JJW9430DDS



C11-863

Section: DOOR (UPPER & LOWER)

No.	Part No.	Description	Series	Qty
1	74008320	FRAME, DOOR (BLK)	10	2
-	Y706189	SCREW Note: SCREW, FRAME (BLK)	10	12
2	74005642	LINER, OVEN DOOR	10	2
3	74005641	WINDOW ASSEMBLY Note: ASSEMBLY CONTAINS 2 74009648	10	2
4	74005648	RETAINER, INSULATION	10	2
-	Y700502	SCREW	10	8
5	74008014	HINGE, DOOR	10	4
-	7101P270-60	SCREW, BLACK Note: SCREW, HINGE (BLK)	10	4
6	71001841	SEAL, DOOR	10	2
-	74004069	SCREW (#10 X 3/4")	10	4
7	74008284	BRACKET, HANDLE	10	2
8	74008308	GLASS, DOOR (W/STL OVERLAY)	10	2
9	74010854	HANDLE, DOOR	10	2
10	715634	NUT Note: NUT, HANDLE	10	4
-	74003986	SPACER, DOOR GLASS (BLK)	10	4
-	74008302	WASHER, FIBER	10	4
11	74008285	INSULATION, DOOR (SIDE)	10	4
12	74008286	INSULATION, DOOR (BTM)	10	2
13	74008287	INSULATION, (DOOR-TOP)	10	2
-	Y700502	SCREW	10	8
14	74008288	HEAT SHIELD, DOOR	10	2
-	74008297	INSULATION, HEAT SHIELD	10	2
-	74008300	INSULATION, DOOR HANDLE (FOIL)	10	2
15	74003650	RETAINER, GLASS	10	4
-	Y700502	SCREW	10	8
16	74008289	GLASS, DOOR INNER	10	2
17	74008859	INSULATION, DOOR	10	2

*Color Code (-)=Not Shown #=Series, Serial Prefix or Run No., N=Not Available

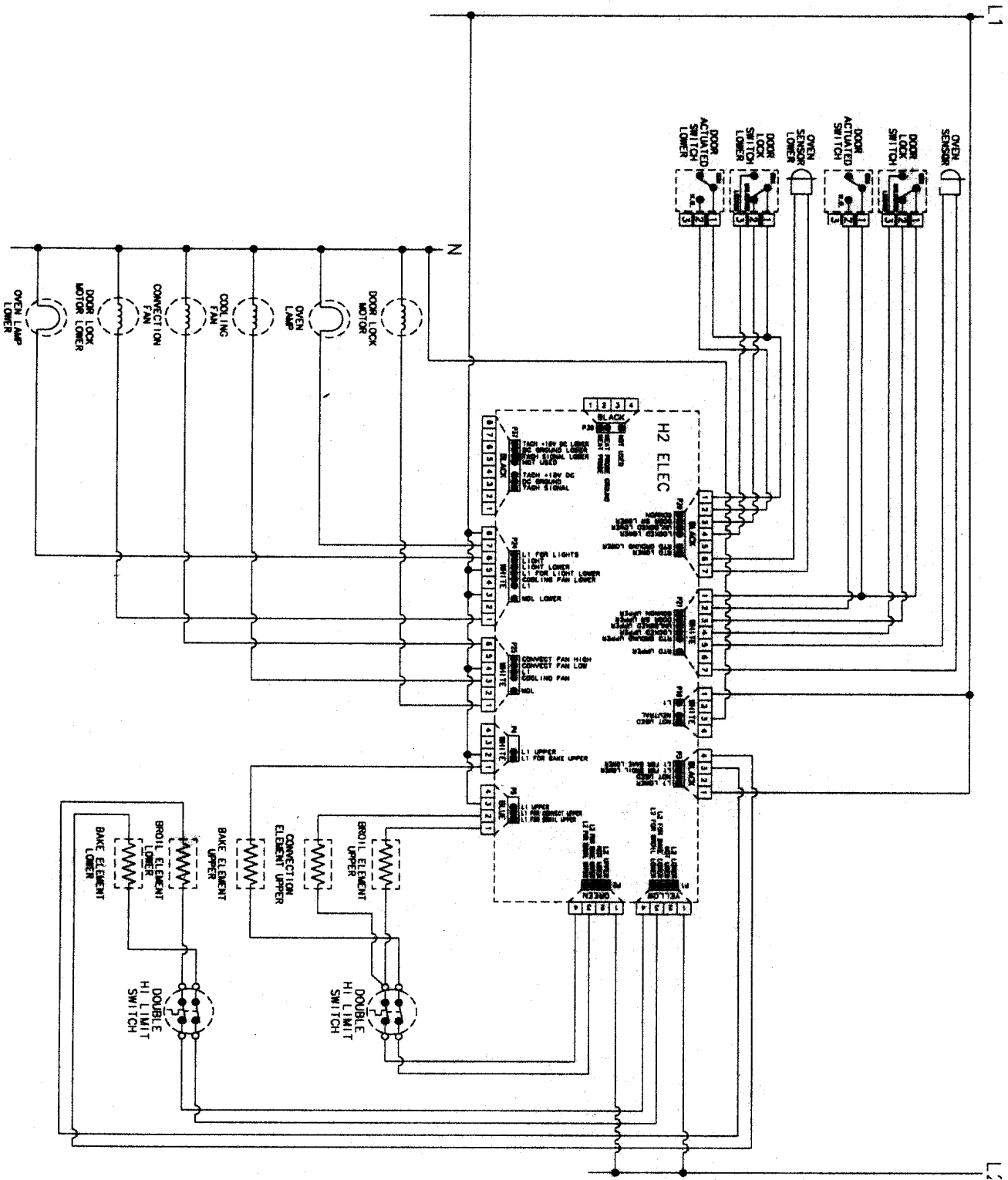
Section: SUPPLEMENTAL INFORMATION

No.	Part No.	Description	Series	Qty
-	74008291	HARNES, SENSOR LOCK	10	1
-	74008908	HARNES, MAIN WIRE	10	1
-	74008293	HARNES, LOWER DOOR LOCK	10	1
-	74008311	MANUAL, USE & CARE	10	1
-	74007136	GUIDE, COOKING (TRILINGUAL)	10	1
-	UXA4905ADX	KIT, HALF RACK SALES (4.0)	10	1
-	16022506	SVC MAN, WALLOVEN ELEC PEGASUS	10	1
-	16026546	TECH SHT, WALL OVEN, ELECT	10	1

*Color Code (-)=Not Shown #=Series, Serial Prefix or Run No., N=Not Available

Section: WIRING INFORMATION

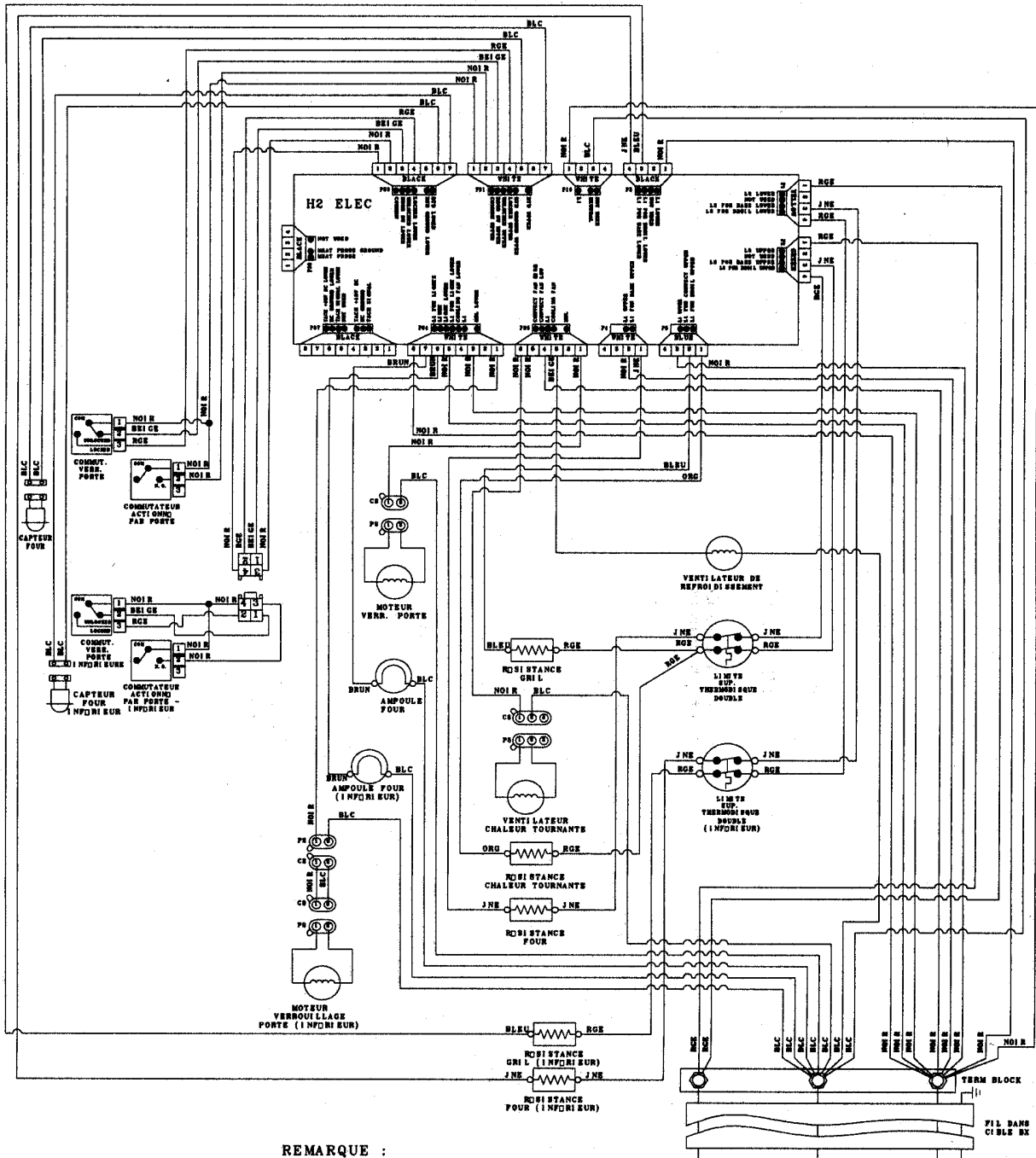
Model: JJW9430DDS



15003244

Section: WIRING INFORMATION

Model: JJW9430DDS



REMARQUE :

- 1 - DÉBRANCHER L'APPAREIL DU SECTEUR AVANT D'ENLEVER LE COUVRE-FILS.
- 2 - SE RÉFÉRER UNIQUEMENT AUX FONCTIONS DONT L'APPAREIL EST ÉQUIPÉ.
- 3 - TECHNICIEN DE SERVICE APRÈS-VENTE, VEUILLEZ REMETTRE LE DIAGRAMME AVEC LA CUISINIÈRE.
- 4 - ATTENTION : IDENTIFIER TOUS LES FILS À L'AIDE D'ÉTIQUETTES AVANT DE DÉBRANCHER L'APPAREIL LORS DE LA RÉPARATION D'ORGANES DE COMMANDE. LES PROBLÈMES DE CÂBLAGE PEUVENT ENTRÂNER DES RISQUES DANS LE FONCTIONNEMENT ET ÊTRE DANGEREUX.
- 5 - VÉRIFIER LE BON FONCTIONN. DE L'APPAR. UNE FOIS LA RÉPARATION EFFECTUÉE.

15003245

