

# Repair Parts List

MODEL NUMBER

MER6741BAW

## RANGE

When requesting service or ordering parts, always provide the following information:

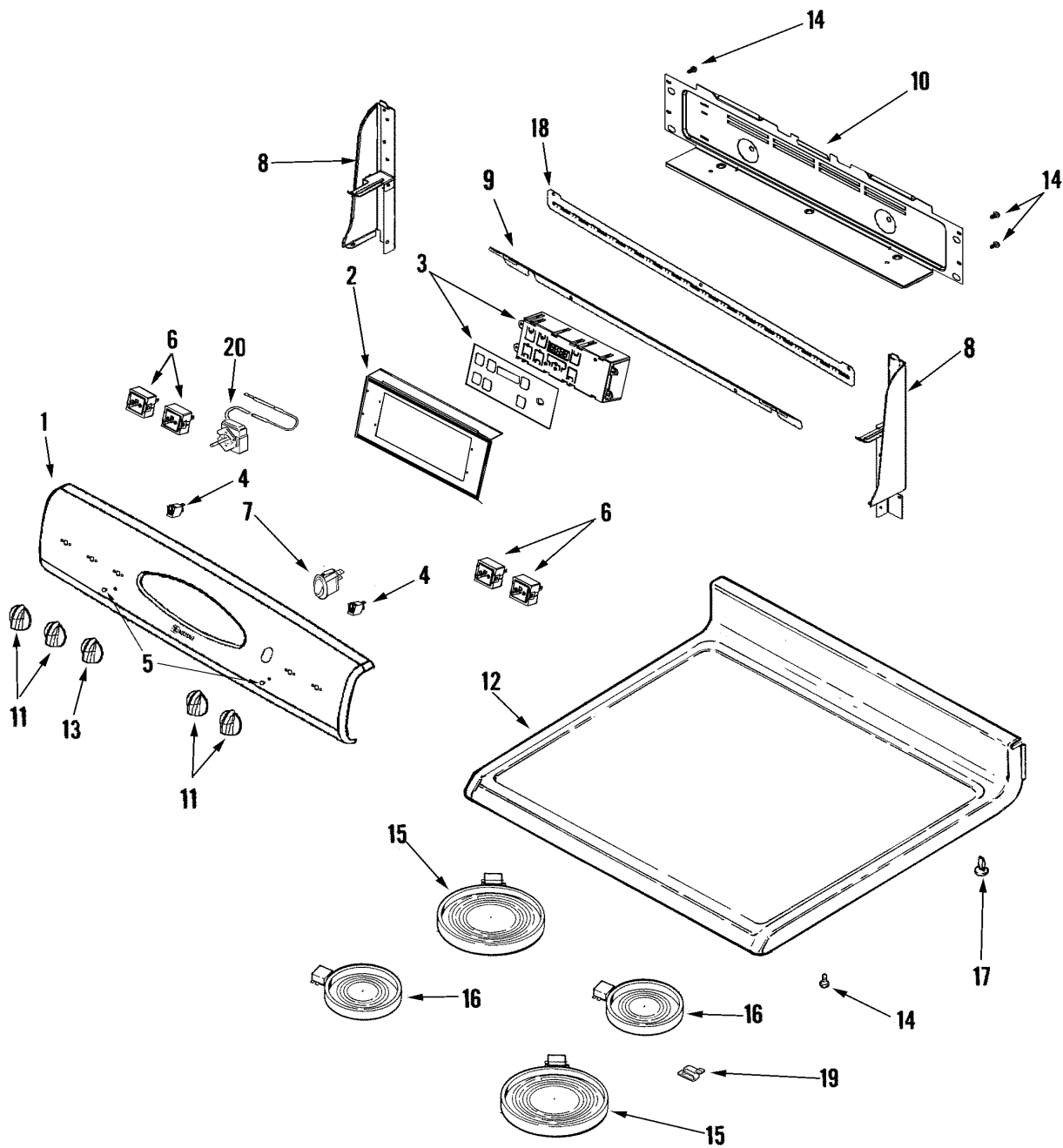
- Product Type
- Part Number
- Model Number
- Part Description

**MAYTAG**®

©2005 Maytag Services

Section: CONTROL PANEL/TOP ASSEMBLY

Model: MER6741BAW



C10-702

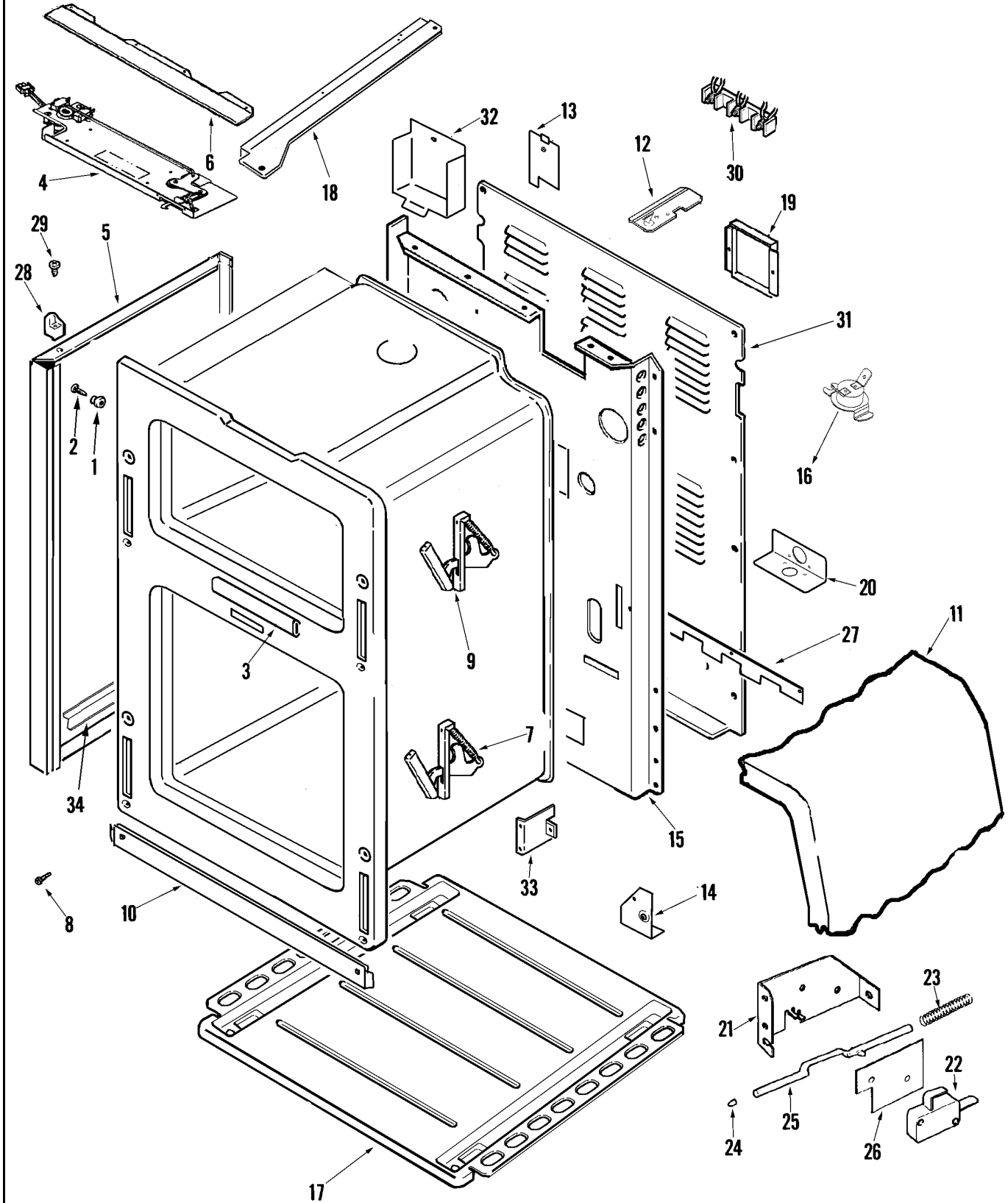
## Section: CONTROL PANEL/TOP ASSEMBLY

No.	Part No.	Description	Series	Qty
1	74011361	PANEL, BACKGUARD (WHT)	10	1
-	74009268	SCREW, (#8X1/2"PPH)	10	4
2	74009052	BRACKET, CLOCK	10	1
3	74011393	CLOCK W/OVERLAY (WHT)	10	1
4	74004153	LIGHT, INDICATOR	10	2
5	7730P011-60	LENS, INDICATOR LIGHT	10	2
6	7403P238-60	SWITCH, INFINITE (SML ELEMENT) Note: SWITCH, INFINITE (6" RR/LF)	10	2
6	7403P239-60	SWITCH, INFINITE (LRG ELEMENT) Note: SWITCH, INFINITE (8" LR/RF)	10	2
-	7101P280-60	SCREW W/WASHER (BLK) Note: SCREW W/WASHER	10	10
7	74008938	SWITCH, ROCKER (WHT)	10	1
-	74009540	SCREW (WHT) Note: SCREW (1/2"-WHT)	10	2
8	74010212	SUPPORT, BACKGUARD (RT-WHT)	10	1
8	74010713	SUPPORT, BACKGUARD (LT-WHT)	10	1
-	74003976	SCREW, SHOULDER	10	2
9	74009978	SHIELD, WIRE	10	1
- N	7101P338-60	SCREW (8BX3/8-NI)	10	2
10	74010935	COVER, REAR WIRE	10	1
- N	7101P338-60	SCREW (8BX3/8-NI)	10	1
11	74008947	KNOB (WHT/CHR)	10	4
12	74011061	TOP, MAIN ASY. (WHT)	10	1
13	74008950	KNOB (WHT/CHR)	10	1
14	74001530	SCREW (8AB1/2-NI)	10	16
15	74009743	ELEMENT (2500W) Note: ELEMENT, (2500W LR/RF)	10	2
16	74008568	ELEMENT (1200W) Note: ELEMENT, (1200W LF/RR)	10	2
17	74004558	GLIDE, MAIN TOP	10	2
18	74009701	SHIELD, REAR SIGHT	10	1
-	Y700502	SCREW	10	2
19	74003072	SUPPORT, CERAMIC ELEMENT	10	8
20	74011367	THERMOSTAT	10	1

\*Color Code (-)=Not Shown #=Series, Serial Prefix or Run No., N=Not Available

Section: BODY

Model: MER6741BAW



C14-941

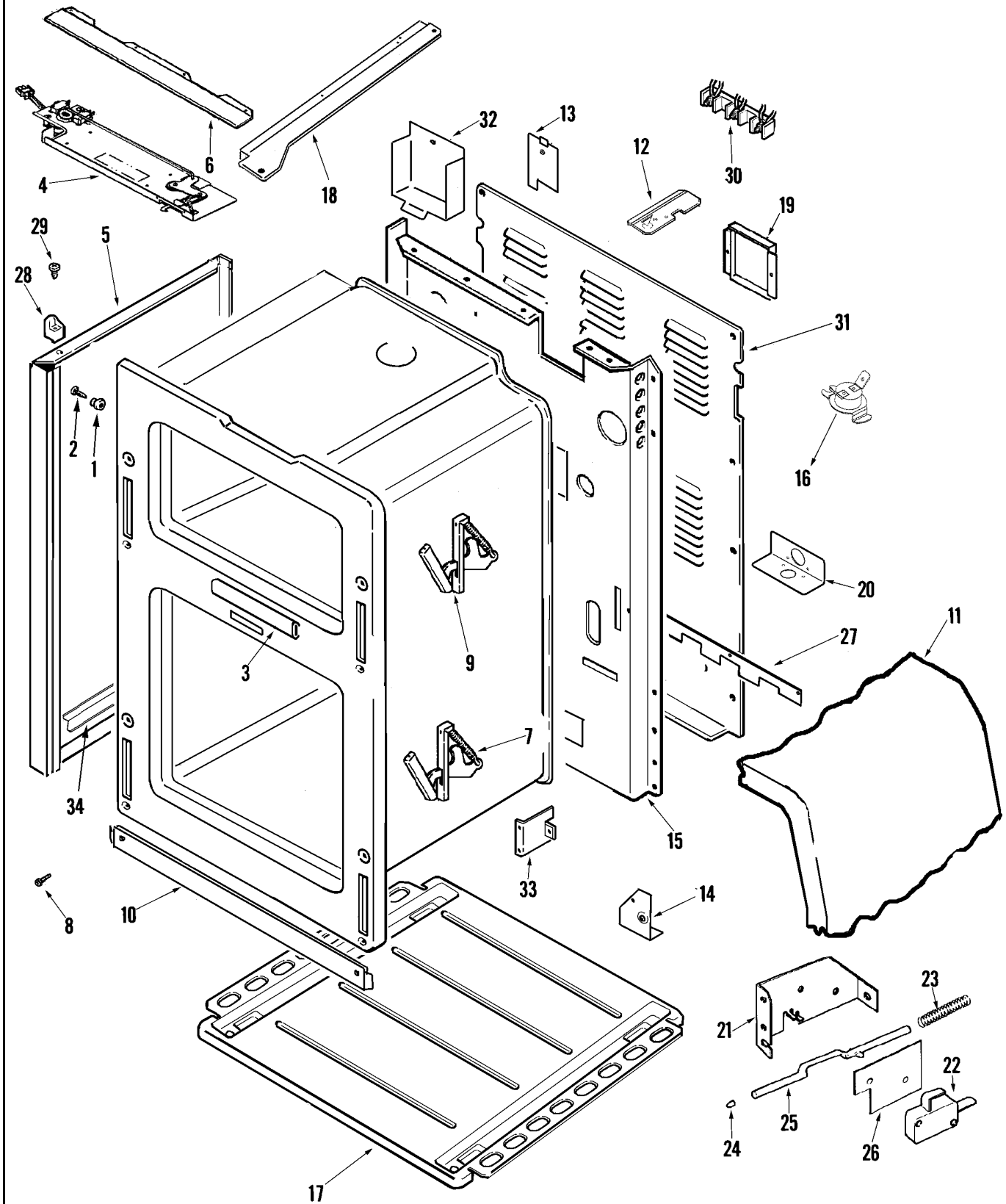
## Section: BODY

No.	Part No.	Description	Series	Qty
1	8004P024-60	SPACER, SIDE PANEL	10	4
2	74003004	SCREW (8ABX19/32-ZN) Note: SCREW, SPACER	10	4
3	74004518	SEAL, FRAME (FRONT)	10	1
4	74007429	LOCK, DOOR LATCH ASY.	10	1
-	74003975	SCREW (8ABX3/8-BLK) Note: SCREW, LATCH	10	2
-	74001530	SCREW (8AB1/2-NI) Note: SCREW, PANEL	10	10
5	74003236	PANEL, SIDE (WHT)	10	2
6	74003384	BRACKET, MAIN TOP	10	1
7	74011142	HINGE, OVEN DOOR	10	2
8	7101P282-60	SCREW (10-24X5/16-NI) Note: SCREW, HINGE	10	8
9	74007830	HINGE ASSY. UPPER DOOR	10	2
10	74007479	TRIM, KICKPLATE (WHT)	10	1
-	7101P373-60	SCREW (1/2"-WHT) Note: SCREW, KICKPLATE (WHT)	10	2
-	74009979	INSULATION, OVEN BACK	10	1
-	74004520	INSULATION, OVEN FRONT (UPR)	10	1
11	74009968	INSULATION, OVEN WRAP	10	1
-	74007336	INSULATION, OVEN TOP	10	2
-	74003385	STRAP, INSULATION	10	1
-	74007899	INSULATION, BURNER BOX	10	1
-	74007338	INSULATION, OVEN BACK LOWER	10	1
12	74001598	SHIELD, DOOR LIGHT SWITCH	10	1
-	74001530	SCREW (8AB1/2-NI) Note: SCREW, SHIELD	10	2
-	74001530	SCREW (8AB1/2-NI)	10	2
13	74007642	SHIELD, DOOR LOCK WIRE	10	2
14	74007446	BRACKET, REINFORCEMENT (LT)	10	1
-	74001530	SCREW (8AB1/2-NI)	10	2
14	74007447	BRACKET, REINFORCEMENT (RT)	10	1
-	74001530	SCREW (8AB1/2-NI)	10	2
-	74003976	SCREW, SHOULDER	10	4
15	74009961	BACK, MAIN	10	1
-	74001530	SCREW (8AB1/2-NI)	10	2
16	74009969	SWITCH, HIGH LIMIT	10	1
17	74009962	BASE, GEMINI	10	1
18	74007671	BOX, BURNER (RT)	10	1
-	74001530	SCREW (8AB1/2-NI)	10	4
18	74007672	BOX, BURNER (LT)	10	1
-	74001530	SCREW (8AB1/2-NI)	10	2
19	74010256	COVER, ACCESS	10	1
-	74001530	SCREW (8AB1/2-NI)	10	2
20	74004180	BRACKET, POWER SUPPLY	10	1
-	7101P347-60	SCREW (8ABX3/8-BLK) Note: SCREW, BRACKET	10	2
21	74001632	BRACKET, SWITCH ACTUATOR	10	1
-	7101P330-60	SCREW, SWITCH	10	2
22	74004536	SWITCH Note: SWITCH, DOOR LIGHT	10	1
23	74001629	SPRING, DOOR SWITCH	10	1
24	74001631	BUMPER, ROD	10	1
25	74003562	ROD, DOOR LIGHT SWITCH	10	1
26	74001872	INSULATOR, SWITCH	10	1
-	74003976	SCREW, SHOULDER	10	4
27	74005653	SHIELD, POWER CORD	10	1
28	8010P088-60	SPACER, MAIN TOP (RT) Note: SPACER, MAIN TOP (RT)	10	1
28	8010P087-60	SPACER, MAIN TOP (LT)	10	1
29 N	7101P313-60	SCREW (8ABX3/8-ZN) Note: SCREW, SPACER	10	2
-	74004532	INSULATOR, HEAT SHIELD	10	1
30	7401P039-60	BLOCK, TERMINAL	10	1
-	74001530	SCREW (8AB1/2-NI)	10	11

\*Color Code (-)=Not Shown #=Series, Serial Prefix or Run No., N=Not Available

Section: BODY

Model: MER6741BAW



C14-941

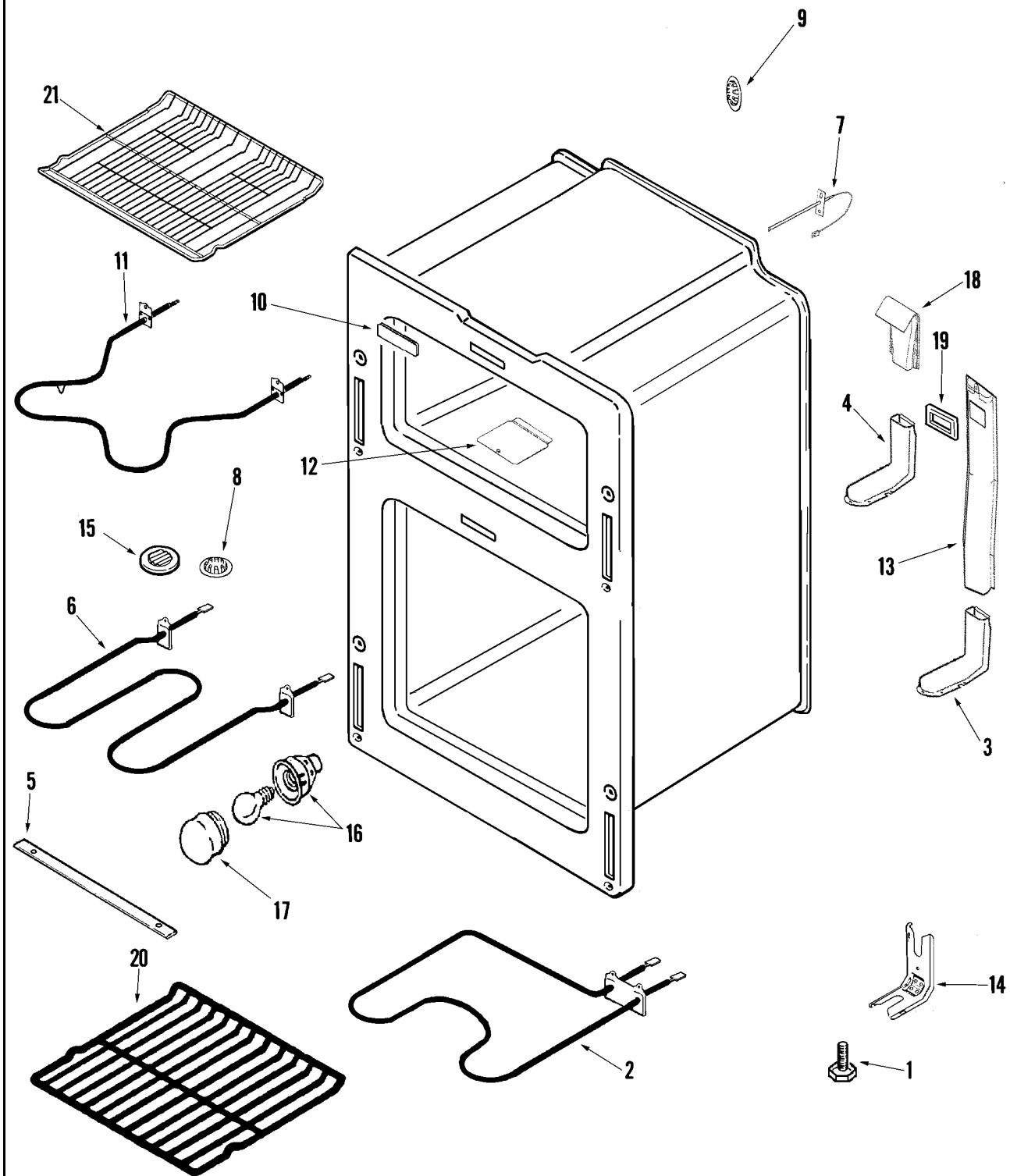
**Section: BODY**

No.	Part No.	Description	Series	Qty
31	74004576	COVER, MAIN WIRE	10	1
32	74004577	COVER, TERMINAL	10	1
-	74001530	SCREW (8AB1/2-NI)	10	2
33	74005499	SUPPORT, OVEN (REAR)	10	2
-	74005500	SUPPORT, OVEN (LWR)	10	2
-	74009268	SCREW, (#8X1/2"PPH) Note: SCREW, SPACER	10	2
34	74007427	SPACER, SIDE PANEL (LONG)	10	2

\*Color Code (-)=Not Shown #=Series, Serial Prefix or Run No., N=Not Available

Section: OVEN

Model: MER6741BAW



C12-560



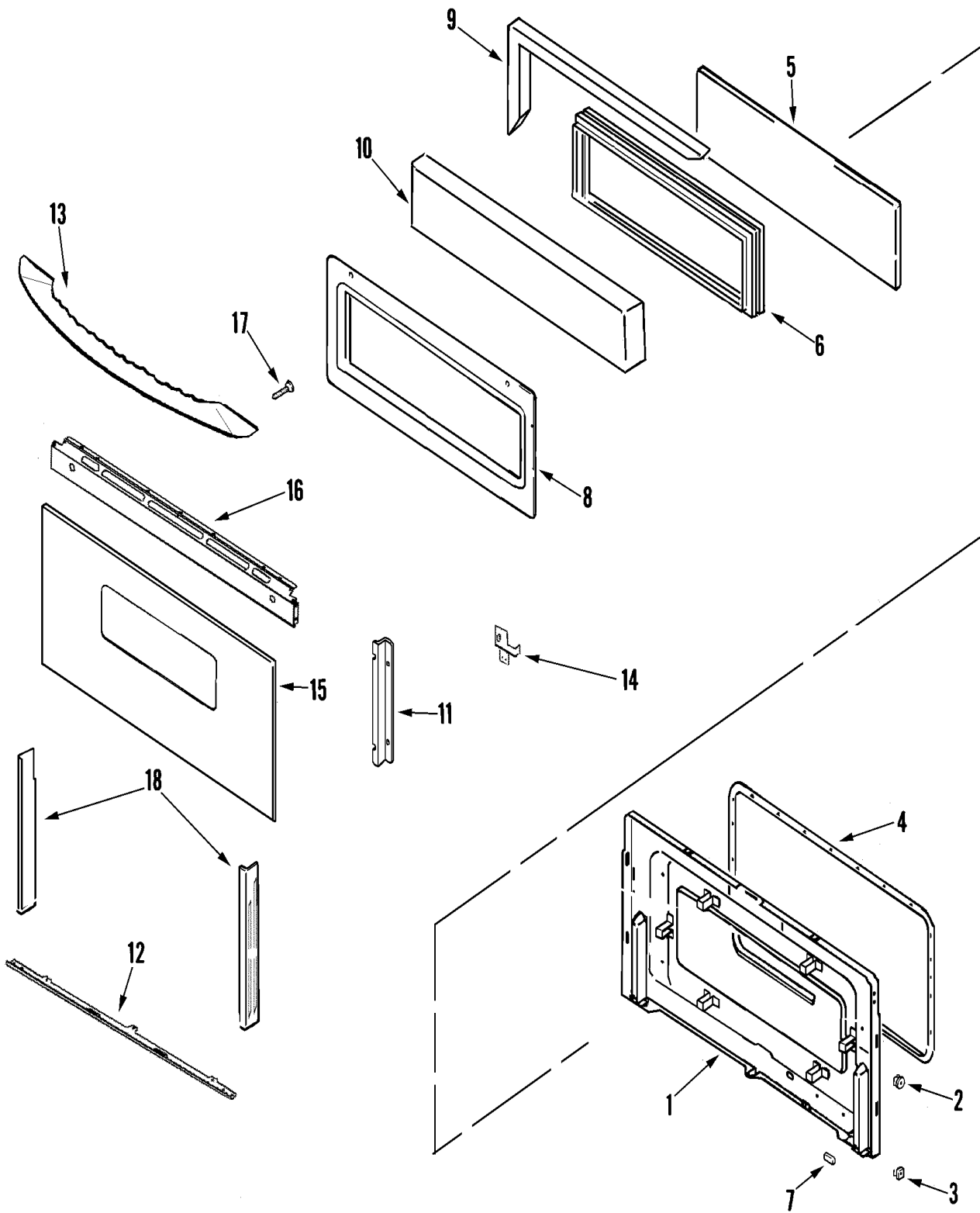
## Section: OVEN

No.	Part No.	Description	Series	Qty
1	74002373	LEG, LEVELING	10	4
-	74001530	SCREW (8AB1/2-NI) Note: SCREW, ELEMENT	10	2
-	74007932	INSULATOR, TERMINAL	10	1
2	74004107	ELEMENT, BAKE (LOWER) Note: ELEMENT, BAKE (LWR)	10	1
-	74001530	SCREW (8AB1/2-NI)	10	2
3	74003394	VENT BOX ASSEMBLY Note: VENT BOX ASSEMBLY (LWR)	10	1
-	74001530	SCREW (8AB1/2-NI)	10	2
4	74004522	BOX, VENT ASSY (UPR) Note: VENT BOX ASSEMBLY (UPR)	10	1
5	74003386	SUPPORT, BROIL ELEMENT	10	1
-	7101P345-60	SCREW Note: SCREW, SUPPORT	10	3
-	74001530	SCREW (8AB1/2-NI) Note: SCREW, ELEMENT	10	2
6	74003041	ELEMENT, BROIL (4 PASS) Note: ELEMENT, BROIL (4 PASS)(LWR)	10	1
7	74004943	SENSOR, OVEN (LONG) Note: SENSOR, OVEN (LWR)	10	1
-	74001530	SCREW (8AB1/2-NI)	10	2
8	74004517	PLUG, HOLE	10	1
9	74009191	PLUG, HOLE	10	2
10	74003406	PLUG, LOCK SLOT	10	1
11	74004105	ELEMENT, BAKE (UPPER) Note: ELEMENT, BAKE (UPR)	10	1
-	74001530	SCREW (8AB1/2-NI)	10	2
-	74001530	SCREW (8AB1/2-NI)	10	2
12	74011368	COVER, HALOGEN LIGHT HOLE	10	1
-	74001530	SCREW (8AB1/2-NI)	10	2
13	74004535	EXTENSION, OVEN VENT ASSEMBLY	10	1
-	7101P352-60	SCREW	10	2
14	74005564	BRACKET, ANTI-TIP	10	1
15	74008597	SCREEN, SMOKE ELIMINATOR	10	1
16	74011278	LIGHT, OVEN ASY.	10	2
17	74011299	LENS, LIGHT BULB	10	2
18	74009988	BRACKET, VENT EXTENSION	10	1
-	74001530	SCREW (8AB1/2-NI)	10	2
18	74009987	EXTENSION, VENT (ELECT)	10	1
19	74004533	GASKET, VENT BOX (UPR)	10	1
20	74001757	RACK, OVEN Note: RACK, OVEN (LWR)	10	2
21	74004578	RACK, OVEN (UPR)	10	1

\*Color Code (-)=Not Shown #=Series, Serial Prefix or Run No., N=Not Available

Section: DOOR (UPPER)

Model: MER6741BAW



C11-853

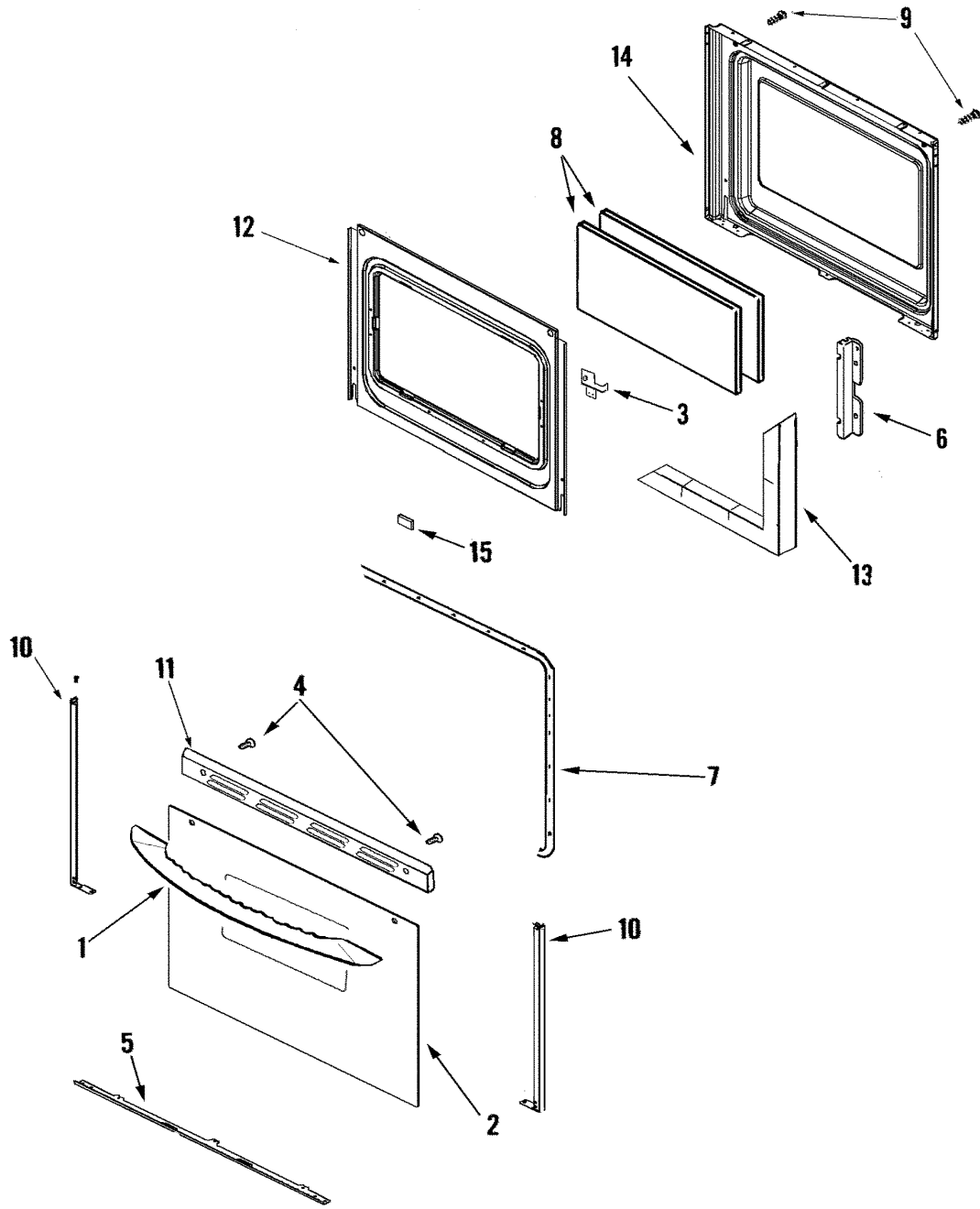
## Section: DOOR (UPPER)

No.	Part No.	Description	Series	Qty
1	74004564	LINING, OVEN DOOR	10	1
2	7103P039-60	NUT, SNAP (ROUND-WHT)	10	2
3	74001574	NUT, SNAP (ROUND-BLK) Note: NUT, SNAP (BLK)	10	4
4	74011366	GASKET, OVEN DOOR	10	1
5	74004566	GLASS, DOOR (INNER)	10	1
6	74004567	FRAME, GLASS	10	1
7	74005546	SPACER, RUBBER	10	4
8	74009976	BAFFLE, OVEN DOOR	10	1
-	74001530	SCREW (8AB1/2-NI)	10	2
9	74004569	INSULATION, DOOR (8.5 X 21.5)	10	2
10	74004570	INSULATION, DOOR (3 X 8.7)-SUB	10	2
11	74001844	RETAINER, GLASS	10	2
-	74001530	SCREW (8AB1/2-NI)	10	4
12	74009687	SUPPORT, GLASS (WHT)	10	1
-	74001530	SCREW (8AB1/2-NI)	10	5
13	74011106	HANDLE, DOOR (WHT)	10	1
13	74011675	HANDLE, DOOR (WHT) Note: MUST ORDER 2/74011674 W/HANDLE	12	1
14	74009699	BRACKET, DOOR HANDLE (LT)	10	1
-	7101P208-60	SCREW (10ABX1/4P TR ZN)	10	2
-	74001530	SCREW (8AB1/2-NI)	10	2
-	74005546	SPACER, RUBBER	10	2
14	74009698	BRACKET, DOOR HANDLE (RT)	10	1
15	74010016	GLASS, UPPER DOOR (WHT)	10	1
-	74009540	SCREW (WHT) Note: SCREW (1/2"-WHT)	10	2
16	74009690	TRIM, DOOR TOP (WHT)	10	1
17	74011674	SCREW, HANDLE MOUNTING	12	2
17	74006777	SCREW 10-32 W/ WASHER Note: SCREW,W/ WASHER (HANDLE)	10	2
-	74009540	SCREW (WHT)	10	2
-	74009014	TAPE, DBL SIDED (WHT)	10	2
18	74009748	TRIM, DOOR (WHT-LT)	10	1
18	74009747	TRIM, DOOR (WHT-RT)	10	1

\*Color Code (-)=Not Shown #=Series, Serial Prefix or Run No., N=Not Available

Section: DOOR (LOWER)

Model: MER6741BAW



C11-802

## Section: DOOR (LOWER)

No.	Part No.	Description	Series	Qty
1	74011106	HANDLE, DOOR (WHT)	10	1
1	74011675	HANDLE, DOOR (WHT) Note: MUST ORDER2/74011674 W/HANDLE	12	1
2	74009727	GLASS, DOOR (OUTER-WHT)	10	1
-	74003664	TAPE, FOIL 29" X 2"	10	1
3	74009698	BRACKET, DOOR HANDLE (RT)	10	1
-	74001530	SCREW (8AB1/2-NI)	10	5
3	74009699	BRACKET, DOOR HANDLE (LT)	10	1
4	74011674	SCREW, HANDLE MOUNTING	12	2
4	74006635	SCREW W/WASHER (HANDLE MTG) Note: SCREW W/WASHER (BRACKET MTG)	10	2
-	74001530	SCREW (8AB1/2-NI)	10	4
-	74001530	SCREW (8AB1/2-NI)	10	3
5	74009687	SUPPORT, GLASS (WHT)	10	1
6	74001844	RETAINER, GLASS	10	2
7	7201P046-60	GASKET, DOOR	10	1
8	74003320	GLASS, INNER Note: GLASS, INNER (PYRO)	10	2
9	74001530	SCREW (8AB1/2-NI) Note: SCREW, RETAINER	10	4
-	74009014	TAPE, DBL SIDED (WHT)	10	1
10	74009695	TRIM, DOOR (WHT-LT)	10	1
10	74009694	TRIM, DOOR (WHT-RT)	10	1
-	74009540	SCREW (WHT)	10	2
-	74010267	SPACER, RUBBER (BLK-SQUARE)	10	2
11	74009690	TRIM, DOOR TOP (WHT)	10	1
12	74009528	BAFFLE, OVEN DOOR	10	1
-	7101P356-60	SCREW Note: SCREW, BAFFLE	10	2
13	74001842	INSULATION, DOOR	10	1
-	7103P039-60	NUT, SNAP (ROUND-WHT)	10	2
14	74004972	LINING, OVEN DOOR	10	1
15	74005546	SPACER, RUBBER	10	2

\*Color Code (-)=Not Shown #=Series, Serial Prefix or Run No., N=Not Available

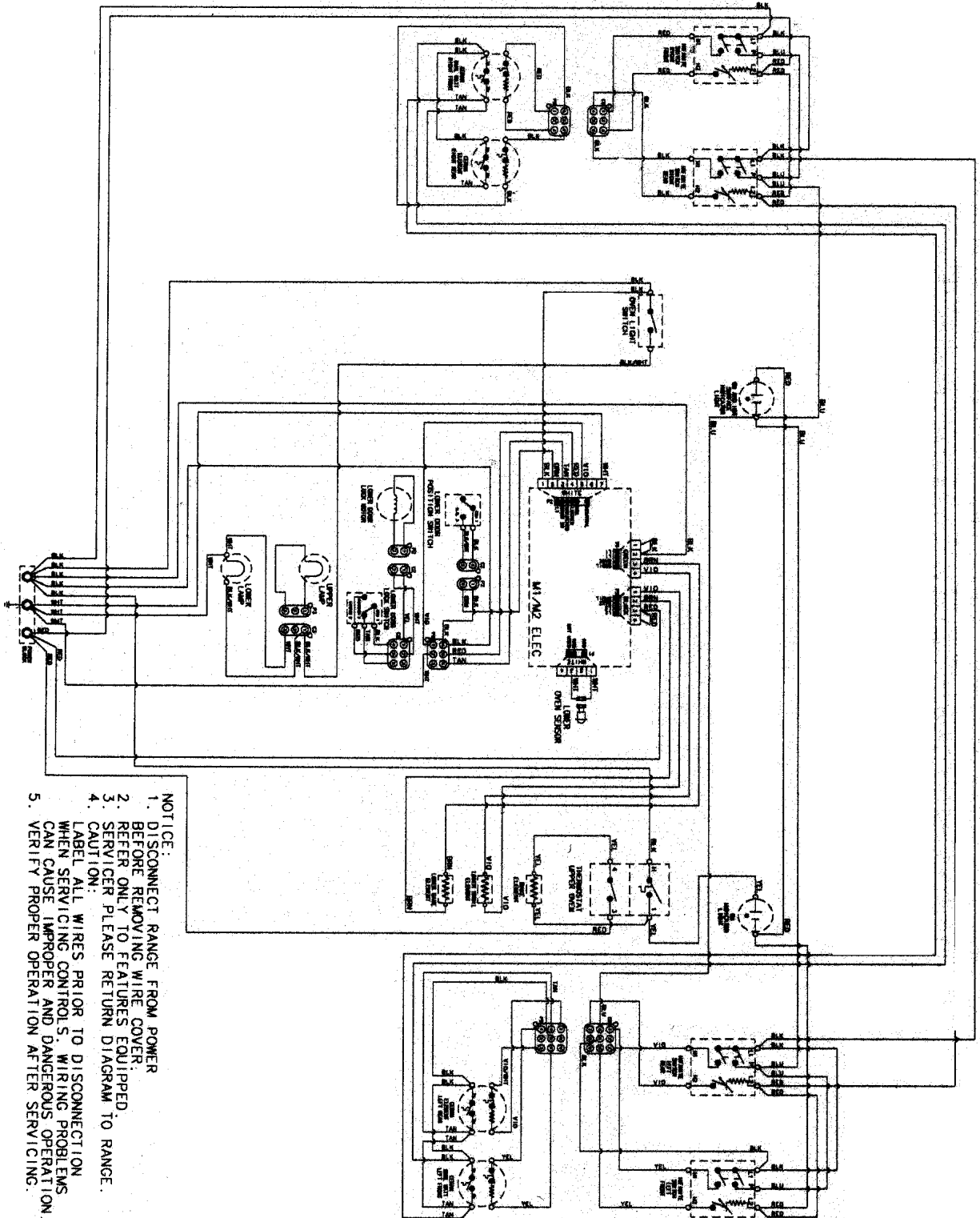
**Section: SUPPLEMENTAL INFORMATION**

No.	Part No.	Description	Series	Qty
-	74009971	MINI-MANUAL (ELECTRIC)	10	1
-	8113P609-60	MANUAL, USE & CARE	11	1
-	8113P532-60	MANUAL, USE & CARE	10	1
-	74011365	HARNESS, UPPER (LIGHT)	10	1
-	74011363	HARNESS, SENSOR (M1)	10	1
-	74011362	HARNESS, MAIN	10	1
-	74009975	HARNESS, DOOR POSITION	10	1
-	74011364	HARNESS, LEFT INF.	10	1
-	74009965	HARNESS, SIDE MOUNT LOCK	10	1
-	74010009	HARNESS, INF. SWITCH (RT)	10	1
-	74010010	HARNESS, ELEMENT	10	1
-	74009975	HARNESS, DOOR POSITION	10	1
-	74009975	HARNESS, DOOR POSITION	10	1
-	20001099	COOKTOP CLEANING CREME 2.5 OZ	10	1
-	74007585	RAZOR, SCRAPER	10	1
-	UXA4905ADX	KIT, HALF RACK SALES (4.0)	10	1
-	12500100	KIT, BROILER PAN/INSERT--W Note: AVAILABLE ONLY AS AN ACCESSORY	10	1

\*Color Code (-)=Not Shown #=Series, Serial Prefix or Run No., N=Not Available

Section: WIRING INFORMATION

Model: MER6741BAW



- NOTICE:
1. DISCONNECT RANGE FROM POWER BEFORE REMOVING WIRE COVER.
  2. REFER ONLY TO FEATURES EQUIPPED.
  3. SERVICER PLEASE RETURN DIAGRAM TO RANGE.
- CAUTION:
4. LABEL ALL WIRES PRIOR TO DISCONNECTION WHEN SERVICING CONTROLS. WIRING PROBLEMS CAN CAUSE IMPROPER AND DANGEROUS OPERATION.
  5. VERIFY PROPER OPERATION AFTER SERVICING.

15003827

