

Repair Parts List

MODEL NUMBER
MER6751AAS

RANGE

When requesting service or ordering parts, always provide the following information:

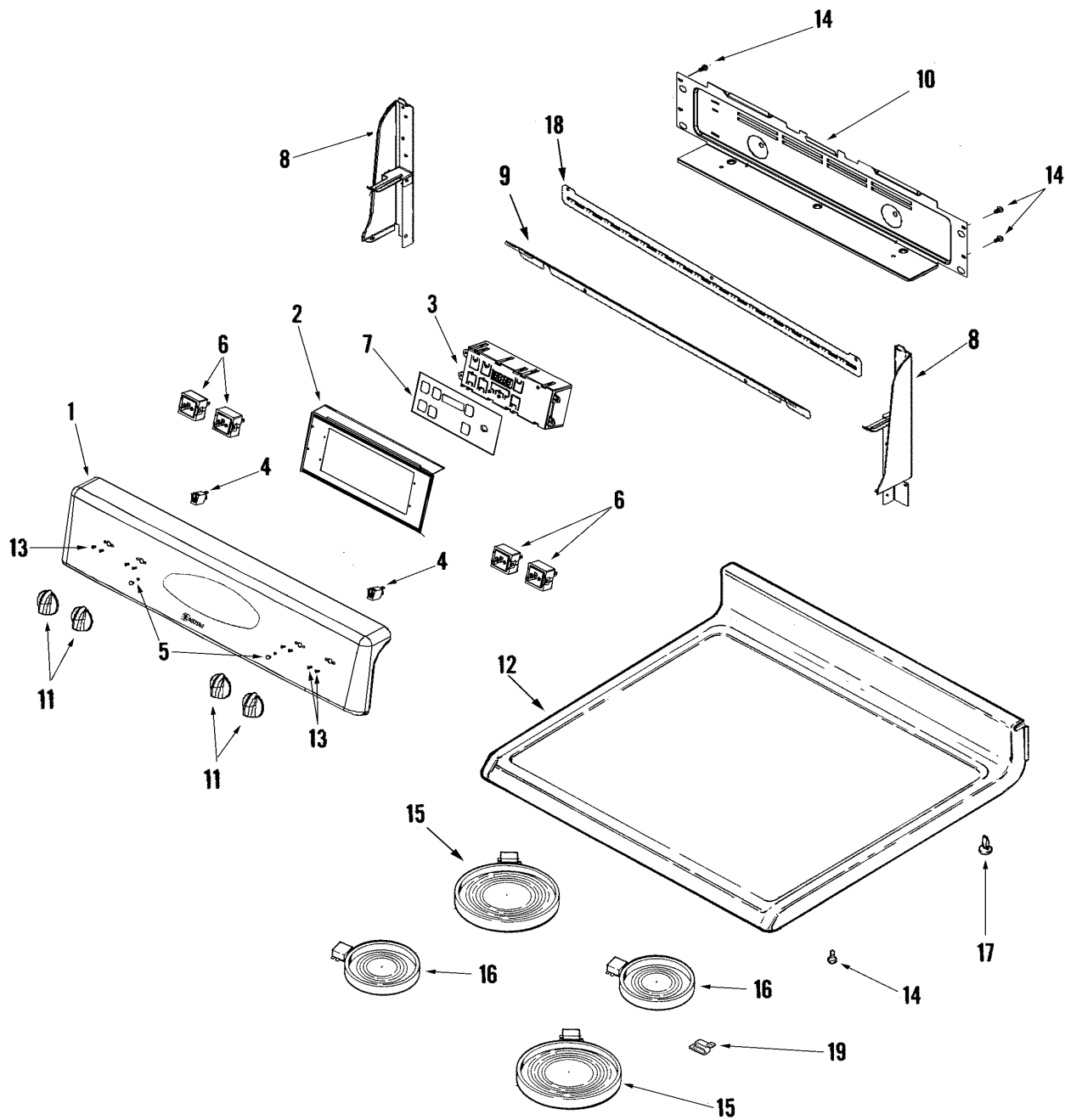
- Product Type
- Part Number
- Model Number
- Part Description

MAYTAG®

©2005 Maytag Services

Section: CONTROL PANEL/TOP ASSEMBLY

Model: MER6751AAS



C10-622

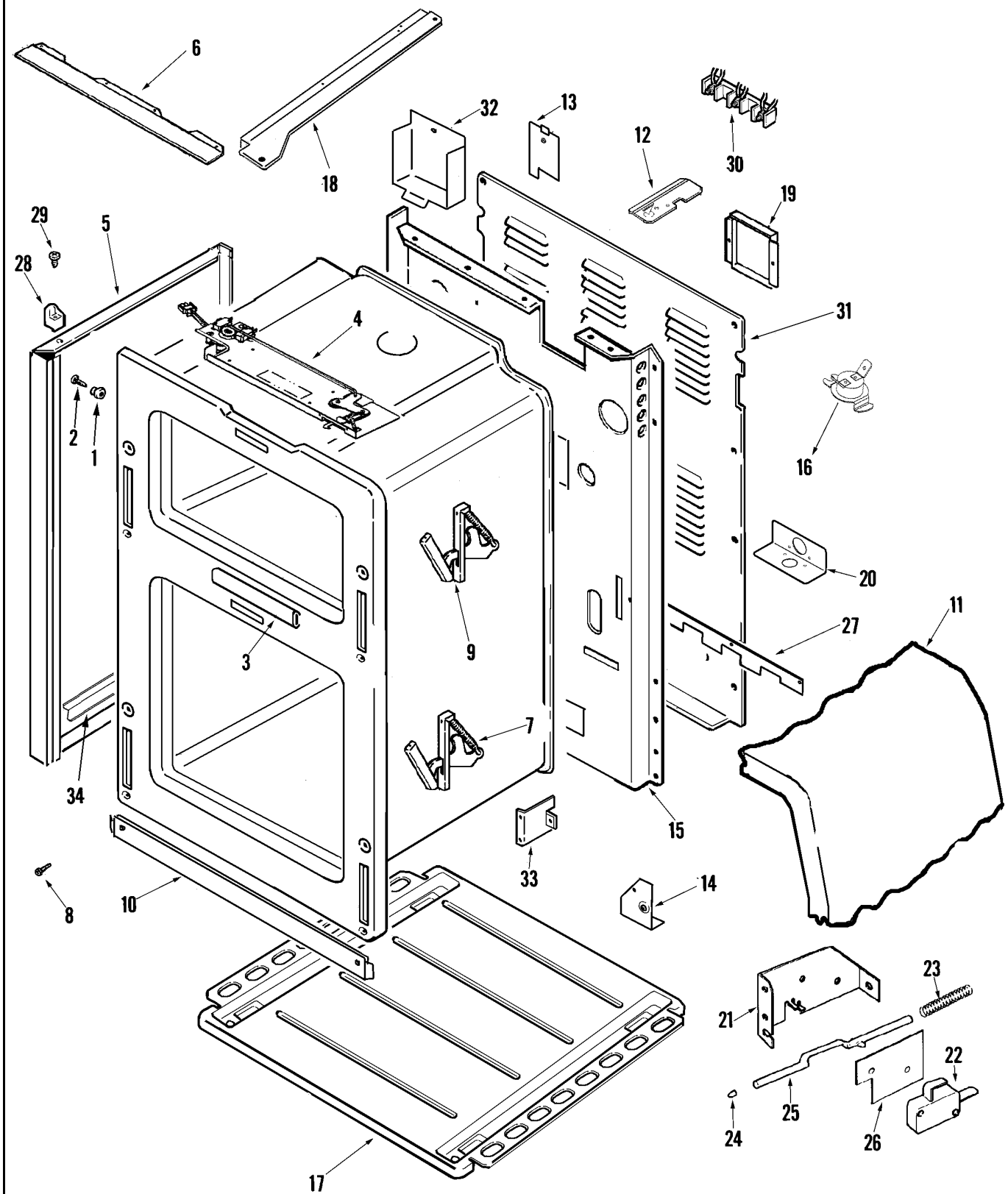
Section: CONTROL PANEL/TOP ASSEMBLY

No.	Part No.	Description	Series	Qty
1	74010014	PANEL, CONTROL (STL)	10	1
-	74001530	SCREW (8AB1/2-NI)	10	1
2	74009052	BRACKET, CLOCK	10	1
3	74009992	CONTROL, H3 (ELEC)	10	1
4	74004153	LIGHT, INDICATOR	10	2
5	7730P011-60	LENS, INDICATOR LIGHT	10	2
6	7403P239-60	SWITCH, INFINITE (LRG ELEMENT) Note: SWITCH, INFINITE (8" LR/RF)	10	2
6	7403P238-60	SWITCH, INFINITE (SML ELEMENT) Note: SWITCH, INFINITE (6" RR/LF)	10	2
7	74009994	OVERLAY, H3 CONTROL (BLK-ELEC)	10	1
-	74009537	SCREW (BLK) Note: SCREW (1/2"-BLK)	10	2
-	74003976	SCREW, SHOULDER	10	2
8	74009673	SUPPORT, BACKGUARD (BLK-RT)	10	1
8	74009670	SUPPORT, BACKGUARD (BLK-LT)	10	1
- N	7101P338-60	SCREW (8BX3/8-NI)	10	2
9	74009978	SHIELD, WIRE	10	1
10	74010804	COVER, BACKGUARD WIRE	10	1
- N	7101P338-60	SCREW (8BX3/8-NI)	10	1
11	74008945	KNOB (BLK/CHR)	10	4
12	74009737	TOP, MAIN (BLK)	10	1
13	7101P309-60	SCREW Note: SCREW, SWITCH	10	8
14	74001530	SCREW (8AB1/2-NI)	10	16
15	74009743	ELEMENT (2500W) Note: ELEMENT, (2500W LR/RF)	10	2
16	74008568	ELEMENT (1200W) Note: ELEMENT, (1200W LF/RR)	10	2
17	74004558	GLIDE, MAIN TOP	10	2
-	Y700502	SCREW	10	2
18	74009701	SHIELD, REAR SIGHT	10	1
19	74003072	SUPPORT, CERAMIC ELEMENT	10	8

*Color Code (-)=Not Shown #=Series, Serial Prefix or Run No., N=Not Available

Section: BODY

Model: MER6751AAS



C14-881

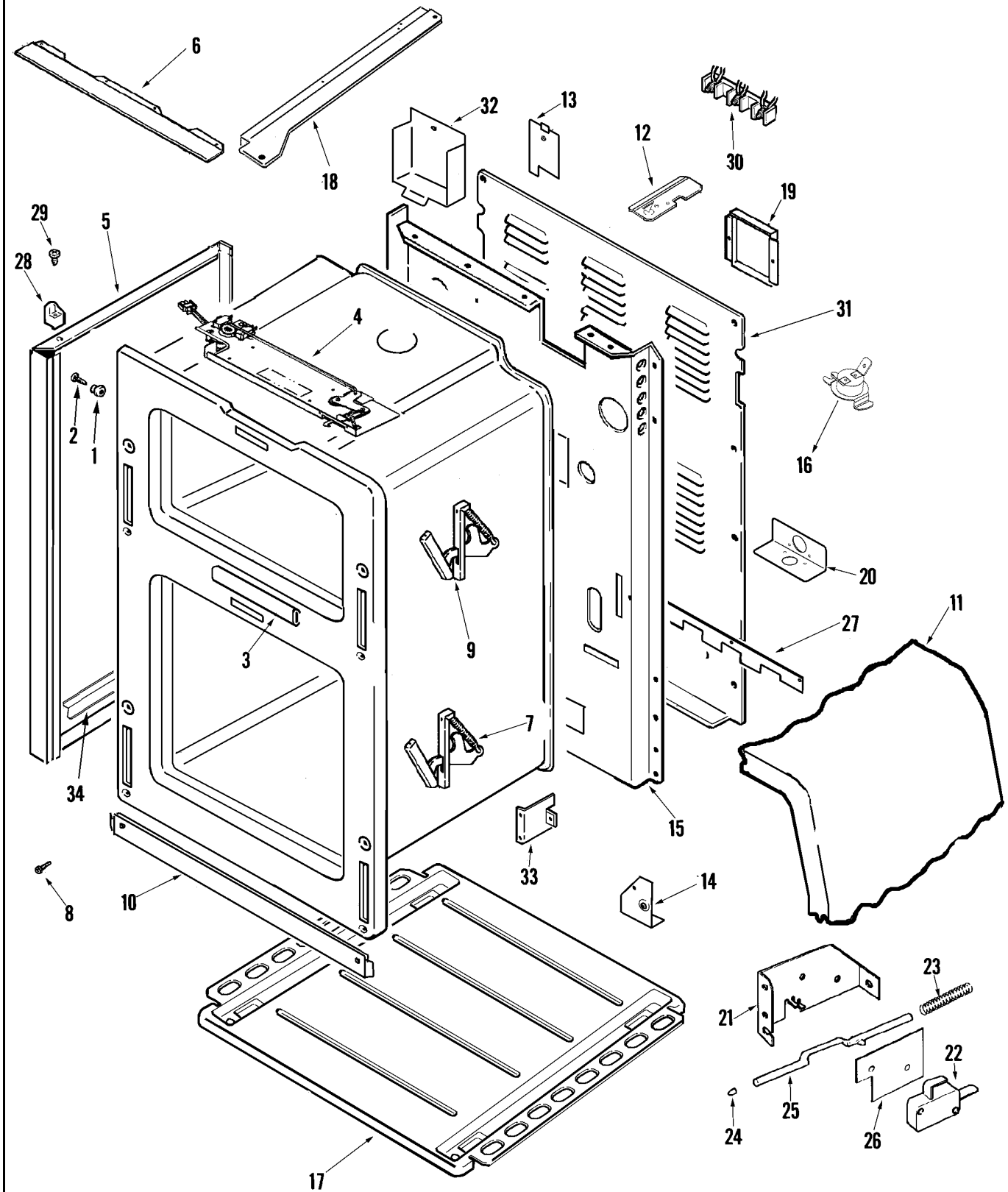
Section: BODY

No.	Part No.	Description	Series	Qty
-	8004P024-60	SPACER, SIDE PANEL	10	2
1	74007427	SPACER, SIDE PANEL (LONG)	10	2
2	74007476	SCREW, W/SHOULDER Note: SCREW, W/SHOULDER	10	2
-	74001530	SCREW (8AB1/2-NI) Note: SCREW, SPACER (74007427)	10	2
3	74004518	SEAL, FRAME (FRONT)	10	1
4	74007429	LOCK, DOOR LATCH ASY.	10	2
-	74003975	SCREW (8ABX3/8-BLK) Note: SCREW, LATCH	10	2
5	74003283	PANEL, SIDE (BLK)	10	2
-	74001530	SCREW (8AB1/2-NI) Note: SCREW, PANEL	10	10
6	74003384	BRACKET, MAIN TOP	10	1
7	74005725	HINGE, DOOR	10	2
8	7101P282-60	SCREW (10-24X5/16-NI) Note: SCREW, HINGE	10	4
9	74007830	HINGE ASSY. UPPER DOOR	10	2
-	7101P282-60	SCREW (10-24X5/16-NI) Note: SCREW, HINGE	10	4
10	74007478	TRIM, KICKPLATE (BLK)	10	1
-	74009537	SCREW (BLK) Note: SCREW, KICKPLATE (BLK)	10	2
-	74007899	INSULATION, BURNER BOX	10	1
-	74009979	INSULATION, OVEN BACK	10	1
11	74009968	INSULATION, OVEN WRAP	10	1
-	74007336	INSULATION, OVEN TOP	10	2
-	74007338	INSULATION, OVEN BACK LOWER	10	1
12	74001598	SHIELD, DOOR LIGHT SWITCH	10	1
-	74001530	SCREW (8AB1/2-NI) Note: SCREW, SHIELD	10	1
13	74007642	SHIELD, DOOR LOCK WIRE	10	1
14	74007447	BRACKET, REINFORCEMENT (RT)	10	1
14	74007446	BRACKET, REINFORCEMENT (LT)	10	1
-	74003976	SCREW, SHOULDER	10	4
15	74009961	BACK, MAIN	10	1
-	74001530	SCREW (8AB1/2-NI)	10	2
-	74001530	SCREW (8AB1/2-NI)	10	4
16	74009969	SWITCH, HIGH LIMIT	10	2
17	74009962	BASE, GEMINI	10	1
18	74007671	BOX, BURNER (RT)	10	1
18	74007672	BOX, BURNER (LT)	10	1
-	74001530	SCREW (8AB1/2-NI)	10	6
19	4005F427-51	COVER, ACCESS	10	1
-	74001530	SCREW (8AB1/2-NI)	10	2
-	74001530	SCREW (8AB1/2-NI)	10	2
20	74004180	BRACKET, POWER SUPPLY	10	1
21	74001632	BRACKET, SWITCH ACTUATOR	10	2
-	7101P347-60	SCREW (8ABX3/8-BLK) Note: SCREW, BRACKET	10	4
-	7101P330-60	SCREW, SWITCH	10	4
22	74004536	SWITCH Note: SWITCH, DOOR LIGHT	10	2
23	74001629	SPRING, DOOR SWITCH	10	2
24	74001631	BUMPER, ROD	10	2
25	74003562	ROD, DOOR LIGHT SWITCH	10	2
26	74001872	INSULATOR, SWITCH	10	2
27	74005653	SHIELD, POWER CORD	10	1
28	8010P088-60	SPACER, MAIN TOP (RT) Note: SPACER, MAIN TOP (RT)	10	1
28	8010P087-60	SPACER, MAIN TOP (LT)	10	1
29 N	7101P313-60	SCREW (8ABX3/8-ZN) Note: SCREW, SPACER	10	2
30	7401P038-60	BLOCK, TERMINAL	10	1
-	74004532	INSULATOR, HEAT SHIELD	10	1
-	74001530	SCREW (8AB1/2-NI)	10	11
31	74004576	COVER, MAIN WIRE	10	1
32	74004577	COVER, TERMINAL	10	1

*Color Code (-)=Not Shown #=Series, Serial Prefix or Run No., N=Not Available

Section: BODY

Model: MER6751AAS



C14-881

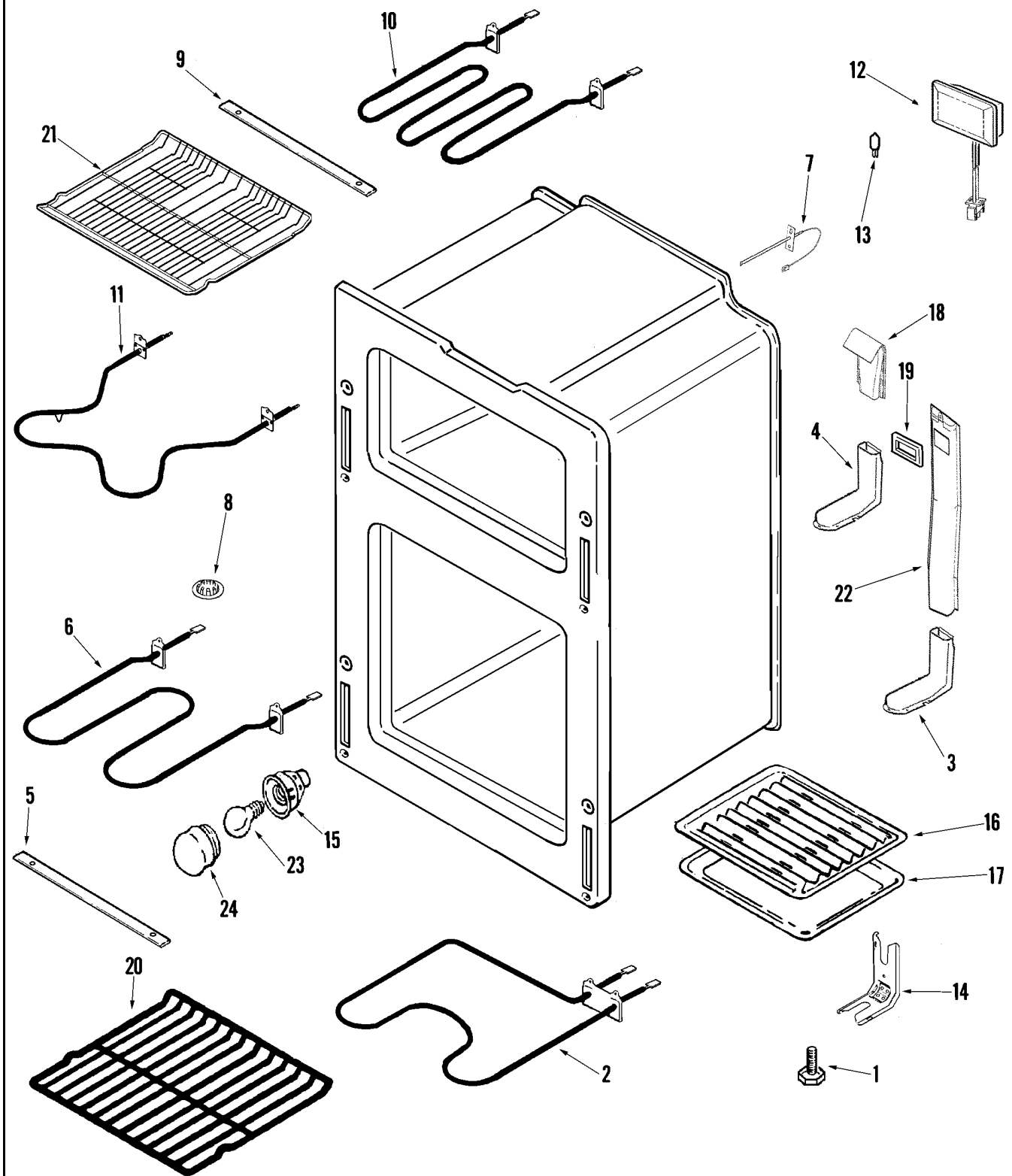
Section: BODY

No.	Part No.	Description	Series	Qty
-	74005500	SUPPORT, OVEN (LWR)	10	2
33	74005499	SUPPORT, OVEN (REAR)	10	2

*Color Code (-)=Not Shown #=Series, Serial Prefix or Run No., N=Not Available

Section: OVEN

Model: MER6751AAS



C12-506

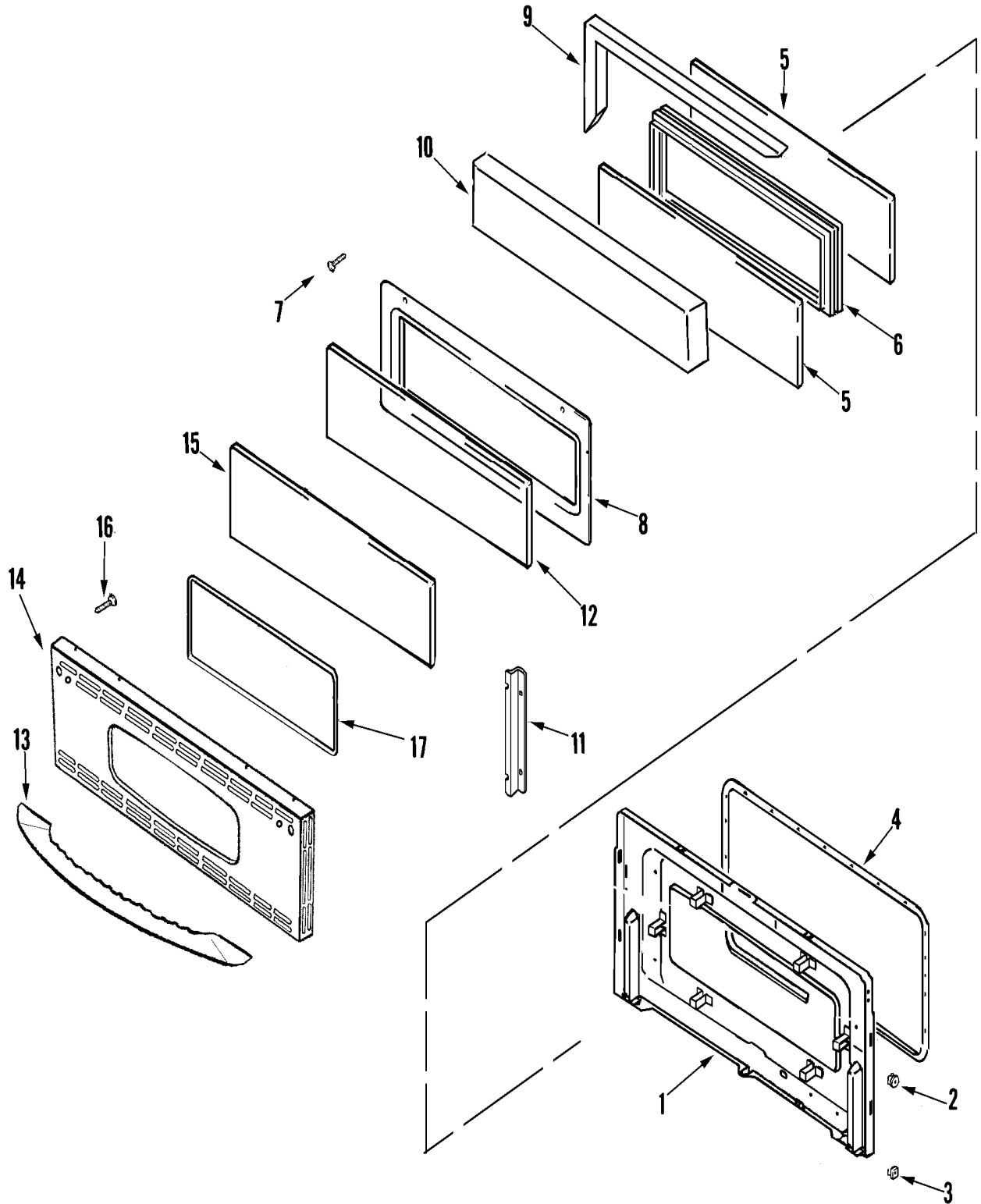
Section: OVEN

No.	Part No.	Description	Series	Qty
1	74002373	LEG, LEVELING	10	4
2	74004107	ELEMENT, BAKE (LOWER) Note: ELEMENT, BAKE (LWR)	10	1
-	74001530	SCREW (8AB1/2-NI) Note: SCREW, ELEMENT	10	2
-	74007932	INSULATOR, TERMINAL	10	1
3	74003394	VENT BOX ASSEMBLY Note: VENT BOX ASSEMBLY (LWR)	10	1
-	74001530	SCREW (8AB1/2-NI)	10	2
4	74004522	BOX, VENT ASSY (UPR) Note: VENT BOX ASSEMBLY (UPR)	10	1
-	74001530	SCREW (8AB1/2-NI)	10	2
-	7101P345-60	SCREW Note: SCREW, SUPPORT	10	3
5	74003386	SUPPORT, BROIL ELEMENT	10	1
6	74003041	ELEMENT, BROIL (4 PASS) Note: ELEMENT, BROIL (4 PASS)(LWR)	10	1
-	74001530	SCREW (8AB1/2-NI) Note: SCREW, ELEMENT	10	2
7	74004943	SENSOR, OVEN (LONG) Note: SENSOR, OVEN (LWR)	10	1
-	74001530	SCREW (8AB1/2-NI)	10	4
7	74010385	SENSOR, OVEN Note: SENSOR, OVEN (UPR)	10	1
8	74004517	PLUG, HOLE	10	1
9	3807F176-19	SUPPORT, BROIL ELEMENT Note: SUPPORT, BROIL ELEMENT (UPR)	10	1
-	74001530	SCREW (8AB1/2-NI) Note: SCREW, ELEMENT	10	4
10	74004106	ELEMENT, BROIL (UPPER) Note: ELEMENT, BROIL (UPR)	10	1
11	74004105	ELEMENT, BAKE (UPPER) Note: ELEMENT, BAKE (UPR)	10	1
-	74001530	SCREW (8AB1/2-NI)	10	2
12	74009970	HALOGEN LAMP ASSY. Note: HALOGEN LAMP ASSY.(UPR)	10	1
13	74009925	BULB, HALOGEN (BI-PIN LOW)	10	1
-	7101P352-60	SCREW	10	2
14	74005564	BRACKET, ANTI-TIP	10	1
15	74008597	SCREEN, SMOKE ELIMINATOR	10	2
16	Y3413F01619	INSERT, BROIL PAN	10	1
16	W10124350	NOT REQUIRED PART OR SEE NOTE Note: NO LONGER SUPPLIED WITH UNIT	13	1
17	W10124350	NOT REQUIRED PART OR SEE NOTE Note: NO LONGER SUPPLIED WITH UNIT	13	1
17	Y3401F02019	PAN, BROIL	10	1
-	74001530	SCREW (8AB1/2-NI)	10	2
18	74009988	BRACKET, VENT EXTENSION	10	1
18	74009987	EXTENSION, VENT (ELECT)	10	1
19	74004533	GASKET, VENT BOX (UPR)	10	1
20	74001757	RACK, OVEN Note: RACK, OVEN (LWR)	10	2
21	74004578	RACK, OVEN (UPR)	10	1
22	74004535	EXTENSION, OVEN VENT ASSEMBLY	10	1
-	74001530	SCREW (8AB1/2-NI)	10	2
23	707319	BULB, OVEN (40 WATT BRASS)	10	1
24	71001867	LENS, BULB	10	1
25	71002427	OVEN LIGHT ASSY. Note: OVEN LIGHT ASSY.(LWR)	10	1

*Color Code (-)=Not Shown #=Series, Serial Prefix or Run No., N=Not Available

Section: DOOR (UPPER-STL)

Model: MER6751AAS



C11-801

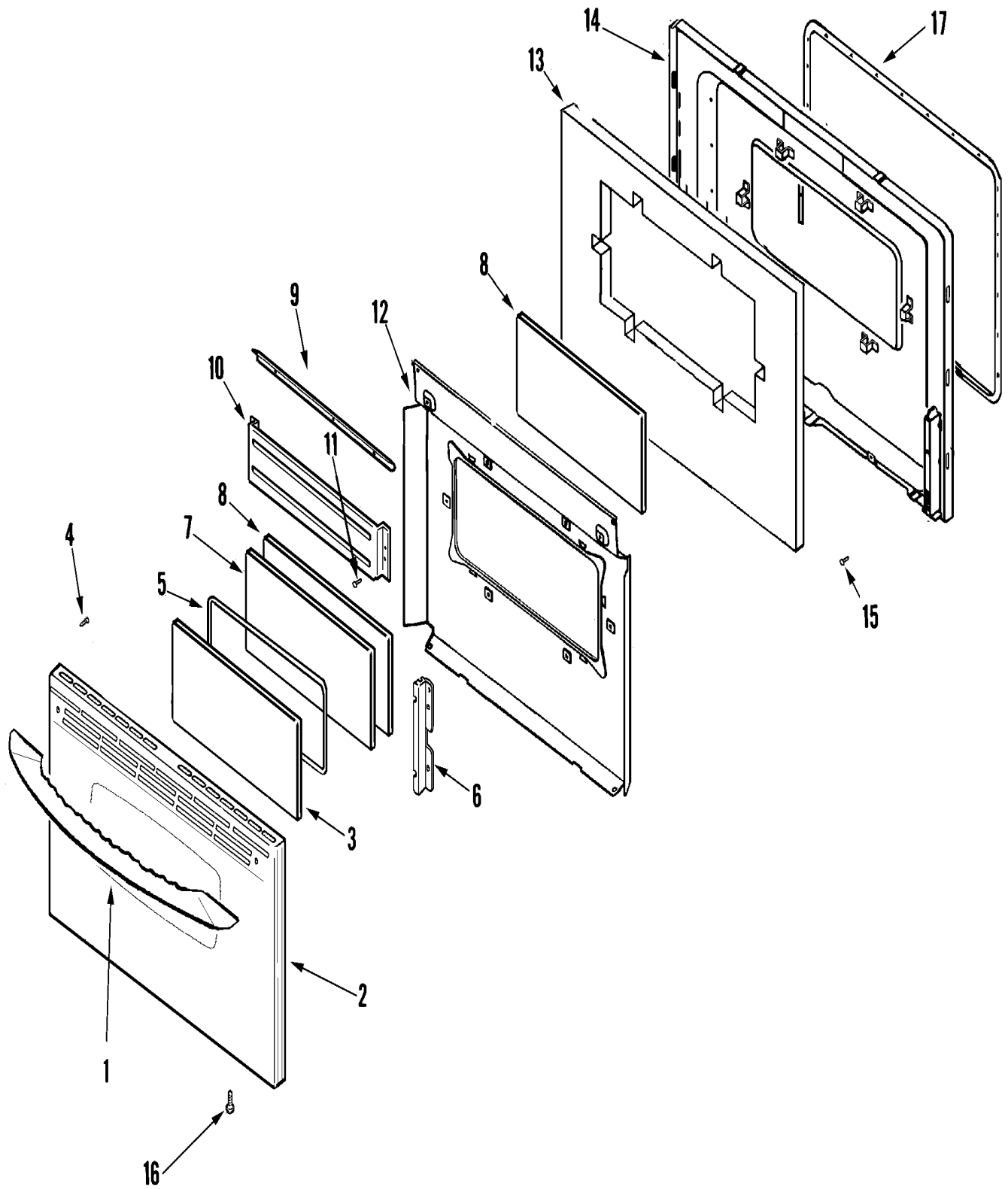
Section: DOOR (UPPER-STL)

No.	Part No.	Description	Series	Qty
1	74004564	LINING, OVEN DOOR	10	1
2	7103P039-60	NUT, SNAP (ROUND-WHT)	10	2
3	74001574	NUT, SNAP (ROUND-BLK)	10	2
4	74004565	GASKET, OVEN DOOR	10	1
5	74004566	GLASS, DOOR (INNER)	10	2
6	74004567	FRAME, GLASS	10	1
7	74001530	SCREW (8AB1/2-NI)	10	4
8	74009976	BAFFLE, OVEN DOOR	10	1
9	74004569	INSULATION, DOOR (8.5 X 21.5)	10	2
10	74004570	INSULATION, DOOR (3 X 8.7)-SUB	10	2
-	74001530	SCREW (8AB1/2-NI) Note: SCREW, RETAINER	10	4
11	74004896	RETAINER, GLASS SUPPORT	10	2
12	74004691	GLASS, OVEN DOOR (INNER) Note: GLASS, OVEN DOOR (INNER)	10	1
13	74011771	HANDLE, DOOR (STL) Note: MUST ORDER 2/74011772 W/HANDLE	17	1
13	74008944	HANDLE, DOOR (STL)	10	1
-	74011772	SCREW, HANDLE	17	2
13	74010973	HANDLE, DOOR (STL)	15	1
-	74001530	SCREW (8AB1/2-NI) Note: SCREW, HANDLE	10	2
14	74010019	PANEL, DOOR (UPR-STL)	10	1
-	74001530	SCREW (8AB1/2-NI)	10	2
15	12002461	KIT, DOOR GLASS (STL)	10	1
16	74006777	SCREW 10-32 W/ WASHER	10	2
17	7201P017-60	GASKET, WINDOW	10	1

*Color Code (-)=Not Shown #=Series, Serial Prefix or Run No., N=Not Available

Section: DOOR (LOWER-STL)

Model: MER6751AAS



C11-803

Section: DOOR (LOWER-STL)

No.	Part No.	Description	Series	Qty
1	74008944	HANDLE, DOOR (STL)	10	1
1	74011771	HANDLE, DOOR (STL)	17	1
1	74010973	HANDLE, DOOR (STL)	15	1
-	74001574	NUT, SNAP (ROUND-BLK)	10	2
2	12002463	KIT, DOOR PANEL (STL)	10	1
3	74010021	GLASS, OVEN DOOR (STL)	10	1
4	74006777	SCREW 10-32 W/ WASHER Note: SCREW, HANDLE	10	2
4	74011772	SCREW, HANDLE	17	2
5	7201P017-60	GASKET, WINDOW	10	1
-	74001530	SCREW (8AB1/2-NI) Note: SCREW, RETAINER	10	4
6	74003048	RETAINER, GLASS	10	2
7	74002002	GLASS, INNER	10	1
8	74003320	GLASS, INNER	10	2
-	74001530	SCREW (8AB1/2-NI) Note: SCREW, BAFFLE	10	3
9	74004902	BAFFLE, AUXILIARY	10	1
10	74005458	BAFFLE, DOOR (SECONDARY)	10	1
11	74001530	SCREW (8AB1/2-NI) Note: SCREW, BAFFLE	10	2
12	74009528	BAFFLE, OVEN DOOR	10	1
-	74001530	SCREW (8AB1/2-NI) Note: SCREW, BAFFLE	10	6
13	74001842	INSULATION, DOOR	10	1
14	74004972	LINING, OVEN DOOR	10	1
15	74001530	SCREW (8AB1/2-NI) Note: SCREW, LINING	10	7
16	74001530	SCREW (8AB1/2-NI) Note: SCREW, DOOR PANEL	10	7
17	7201P046-60	GASKET, DOOR	10	1

*Color Code (-)=Not Shown #=Series, Serial Prefix or Run No., N=Not Available

Section: SUPPLEMENTAL INFORMATION

No.	Part No.	Description	Series	Qty
-	74009971	MINI-MANUAL (ELECTRIC)	10	1
-	8113P570-60	MANUAL, USE & CARE	16	1
-	8113P440-60	MANUAL, USE & CARE	10	1
-	74009330	BOOKLET, COOKING MADE SIMPLE	10	1
-	74009963	HARNESS, SENSOR	10	1
-	74010008	HARNESS, MAIN	10	1
-	74009975	HARNESS, DOOR POSITION	10	2
-	74010007	HARNESS, INF. SWITCH (LT)	10	1
-	74009965	HARNESS, SIDE MOUNT LOCK	10	2
-	74010009	HARNESS, INF. SWITCH (RT)	10	1
-	74010010	HARNESS, ELEMENT	10	1
-	74009975	HARNESS, DOOR POSITION	10	1
-	20000001	COOKTOP CLEANING CREME	10	1
-	74007585	RAZOR, SCRAPER	10	1
-	UXA4905ADX	KIT, HALF RACK SALES (4.0)	10	1
-	12500100	KIT, BROILER PAN/INSERT--W Note: KIT, BROILER PAN/INSERT AVAILABLE AS AN ACCESSORY ONLY	13	1

*Color Code (-)=Not Shown #=Series, Serial Prefix or Run No., N=Not Available

Section: WIRING INFORMATION

Model: MER6751AAS

- NOTICE:
1. DISCONNECT RANGE FROM POWER BEFORE REMOVING WIRE COVER.
 2. REFER ONLY TO FEATURES EQUIPPED.
 3. SERVICER PLEASE RETURN DIAGRAM TO RANGE.
- CAUTION:
4. LABEL ALL WIRES PRIOR TO DISCONNECTION WHEN SERVICING CONTROLS. WIRING PROBLEMS CAN CAUSE IMPROPER AND DANGEROUS OPERATION.
 5. VERIFY PROPER OPERATION AFTER SERVICING.

