

Repair Parts List

MODEL NUMBER

MER6775AAB

RANGE

When requesting service or ordering parts, always provide the following information:

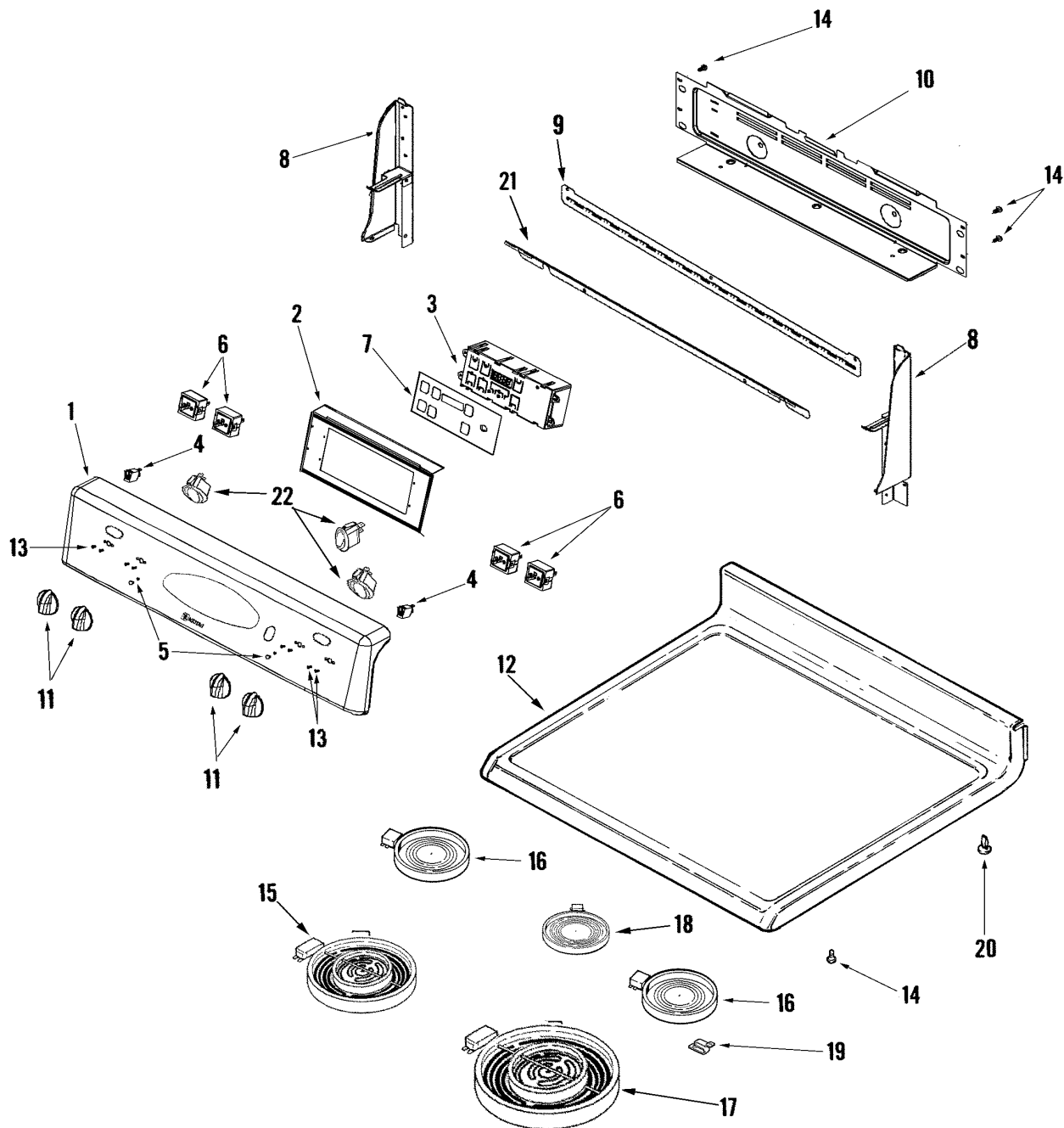
- Product Type
- Part Number
- Model Number
- Part Description

MAYTAG®

©2005 Maytag Services

Section: CONTROL PANEL/TOP ASSEMBLY

Model: MER6775AAB



C10-624

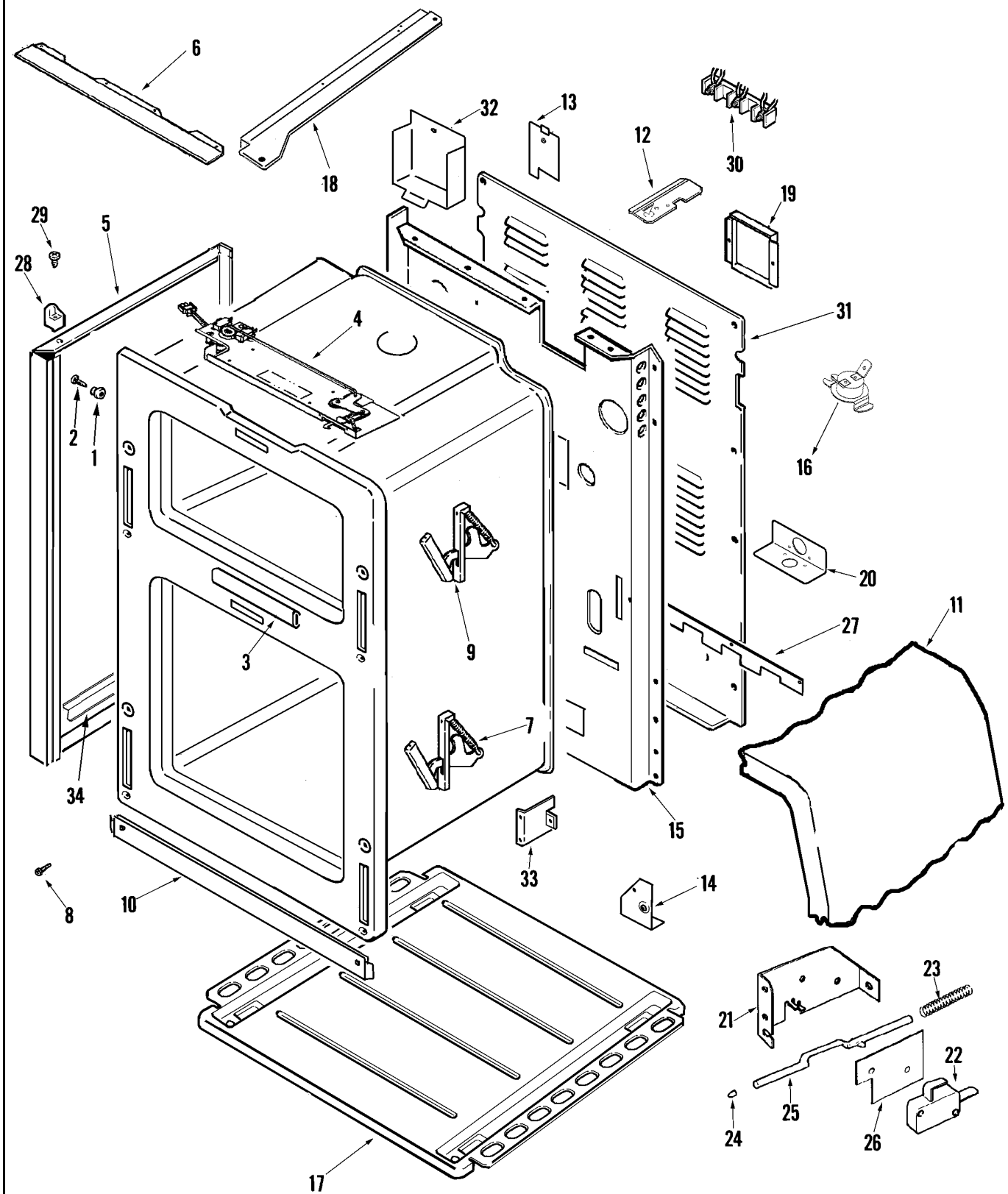
Section: CONTROL PANEL/TOP ASSEMBLY

| No. | Part No. | Description | Series | Qty |
|-----|---------------|--|--------|-----|
| 1 | 74010047 | PANEL, CONTROL (BLK) | 10 | 1 |
| - | 74001530 | SCREW (8AB1/2-NI) | 10 | 1 |
| 2 | 74009052 | BRACKET, CLOCK | 10 | 1 |
| 3 | 74009992 | CONTROL, H3 (ELEC) | 10 | 1 |
| 4 | 74004153 | LIGHT, INDICATOR | 10 | 3 |
| 5 | 7730P011-60 | LENS, INDICATOR LIGHT | 10 | 3 |
| 6 | 74003122 | SWITCH, INFINITE (DUAL) Note: SWITCH, ELEMENT (DUAL LR/RF) | 10 | 2 |
| 6 | 7403P238-60 | SWITCH, INFINITE (SML ELEMENT) Note: SWITCH, INFINITE (6" RR/LF) | 10 | 2 |
| 7 | 74009994 | OVERLAY, H3 CONTROL (BLK-ELEC) | 10 | 1 |
| - | 74009537 | SCREW (BLK) Note: SCREW (1/2"-BLK) | 10 | 2 |
| - | 74003976 | SCREW, SHOULDER | 10 | 2 |
| 8 | 74009673 | SUPPORT, BACKGUARD (BLK-RT) | 10 | 1 |
| 8 | 74009670 | SUPPORT, BACKGUARD (BLK-LT) | 10 | 1 |
| 9 | 74009978 | SHIELD, WIRE | 10 | 1 |
| - | N 7101P338-60 | SCREW (8BX3/8-NI) | 10 | 2 |
| - | N 7101P338-60 | SCREW (8BX3/8-NI) | 10 | 1 |
| 10 | 74010804 | COVER, BACKGUARD WIRE | 10 | 1 |
| 11 | 74008945 | KNOB (BLK/CHR) | 10 | 4 |
| 12 | 74010030 | TOP, MAIN (BLK) | 10 | 1 |
| 13 | 7101P309-60 | SCREW Note: SCREW, SWITCH | 10 | 8 |
| 14 | 74001530 | SCREW (8AB1/2-NI) | 10 | 16 |
| 15 | 74009898 | ELEMENT, DUAL (2400W) Note: ELEMENT, DUAL (2400W LF) | 10 | 1 |
| 16 | 74008568 | ELEMENT (1200W) Note: ELEMENT, (1200W LR/RR) | 10 | 2 |
| 17 | 74008919 | ELEMENT (2700W) Note: ELEMENT (2700W RF) | 10 | 1 |
| 18 | 74009899 | ELEMENT, WARM (250V) | 10 | 1 |
| 19 | 74003072 | SUPPORT, CERAMIC ELEMENT | 10 | 12 |
| 20 | 74004558 | GLIDE, MAIN TOP | 10 | 2 |
| 21 | 74009701 | SHIELD, REAR SIGHT | 10 | 1 |
| - | Y700502 | SCREW | 10 | 2 |
| 22 | 74008937 | SWITCH, ROCKER (BLK) | 10 | 3 |

*Color Code (-)=Not Shown #=Series, Serial Prefix or Run No., N=Not Available

Section: BODY

Model: MER6775AAB



C14-881

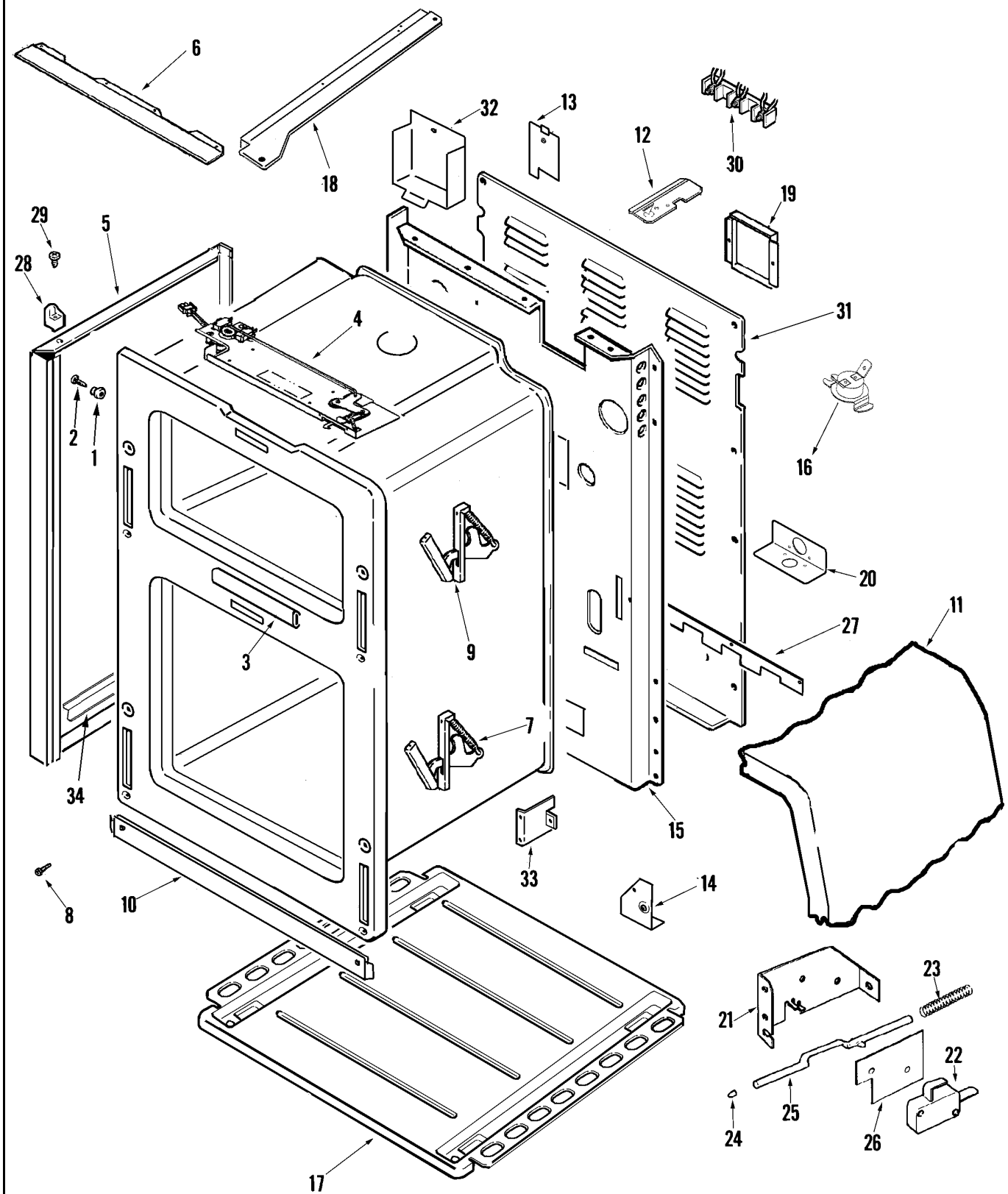
Section: BODY

| No. | Part No. | Description | Series | Qty |
|------|-------------|---|--------|-----|
| 1 | 8004P024-60 | SPACER, SIDE PANEL | 10 | 4 |
| - | 74001530 | SCREW (8AB1/2-NI) Note: SCREW, SPACER (74007427) | 10 | 2 |
| 2 | 74007476 | SCREW, W/SHOULDER Note: SCREW, W/SHOULDER | 10 | 2 |
| 3 | 74004518 | SEAL, FRAME (FRONT) | 10 | 1 |
| - | 74003975 | SCREW (8ABX3/8-BLK) Note: SCREW, LATCH | 10 | 2 |
| 4 | 74007429 | LOCK, DOOR LATCH ASY. | 10 | 2 |
| - | 74001530 | SCREW (8AB1/2-NI) Note: SCREW, PANEL | 10 | 10 |
| 5 | 74003283 | PANEL, SIDE (BLK) | 10 | 2 |
| 6 | 74003384 | BRACKET, MAIN TOP | 10 | 1 |
| 7 | 74005725 | HINGE, DOOR | 10 | 2 |
| 8 | 7101P282-60 | SCREW (10-24X5/16-NI) Note: SCREW, HINGE | 10 | 4 |
| 9 | 74007830 | HINGE ASSY. UPPER DOOR | 10 | 2 |
| - | 7101P282-60 | SCREW (10-24X5/16-NI) Note: SCREW, HINGE | 10 | 4 |
| 10 | 74007478 | TRIM, KICKPLATE (BLK) | 10 | 1 |
| - | 74009537 | SCREW (BLK) Note: SCREW, KICKPLATE (BLK) | 10 | 2 |
| - | 74007336 | INSULATION, OVEN TOP | 10 | 2 |
| - | 74009979 | INSULATION, OVEN BACK | 10 | 1 |
| - | 74007338 | INSULATION, OVEN BACK LOWER | 10 | 1 |
| - | 74007899 | INSULATION, BURNER BOX | 10 | 1 |
| 11 | 74009968 | INSULATION, OVEN WRAP | 10 | 1 |
| - | 74001530 | SCREW (8AB1/2-NI) Note: SCREW, SHIELD | 10 | 1 |
| 12 | 74001598 | SHIELD, DOOR LIGHT SWITCH | 10 | 1 |
| 13 | 74007642 | SHIELD, DOOR LOCK WIRE | 10 | 1 |
| 14 | 74007446 | BRACKET, REINFORCEMENT (LT) | 10 | 1 |
| 14 | 74007447 | BRACKET, REINFORCEMENT (RT) | 10 | 1 |
| 15 | 74009961 | BACK, MAIN | 10 | 1 |
| - | 74001530 | SCREW (8AB1/2-NI) | 10 | 2 |
| - | 74003976 | SCREW, SHOULDER | 10 | 4 |
| 16 | 74009969 | SWITCH, HIGH LIMIT | 10 | 2 |
| - | 74001530 | SCREW (8AB1/2-NI) | 10 | 4 |
| 17 | 74009962 | BASE, GEMINI | 10 | 1 |
| 18 | 74007671 | BOX, BURNER (RT) | 10 | 1 |
| 18 | 74007672 | BOX, BURNER (LT) | 10 | 1 |
| - | 74001530 | SCREW (8AB1/2-NI) | 10 | 6 |
| - | 74001530 | SCREW (8AB1/2-NI) | 10 | 2 |
| 19 | 4005F427-51 | COVER, ACCESS | 10 | 1 |
| 20 | 74004180 | BRACKET, POWER SUPPLY | 10 | 1 |
| - | 74001530 | SCREW (8AB1/2-NI) | 10 | 2 |
| 21 | 74001632 | BRACKET, SWITCH ACTUATOR | 10 | 2 |
| - | 7101P347-60 | SCREW (8ABX3/8-BLK) Note: SCREW, BRACKET | 10 | 4 |
| - | 7101P330-60 | SCREW, SWITCH | 10 | 4 |
| 22 | 74004536 | SWITCH Note: SWITCH, DOOR LIGHT | 10 | 2 |
| 23 | 74001629 | SPRING, DOOR SWITCH | 10 | 2 |
| 24 | 74001631 | BUMPER, ROD | 10 | 2 |
| 25 | 74003562 | ROD, DOOR LIGHT SWITCH | 10 | 2 |
| 26 | 74001872 | INSULATOR, SWITCH | 10 | 2 |
| 27 | 74005653 | SHIELD, POWER CORD | 10 | 1 |
| 28 | 8010P088-60 | SPACER, MAIN TOP (RT) Note: SPACER, MAIN TOP (RT) | 10 | 1 |
| 28 | 8010P087-60 | SPACER, MAIN TOP (LT) | 10 | 1 |
| 29 N | 7101P313-60 | SCREW (8ABX3/8-ZN) Note: SCREW, SPACER | 10 | 2 |
| 30 | 7401P038-60 | BLOCK, TERMINAL | 10 | 1 |
| - | 74004532 | INSULATOR, HEAT SHIELD | 10 | 1 |
| 31 | 74004576 | COVER, MAIN WIRE | 10 | 1 |
| - | 74001530 | SCREW (8AB1/2-NI) | 10 | 11 |
| 32 | 74004577 | COVER, TERMINAL | 10 | 1 |
| 33 | 74005499 | SUPPORT, OVEN (REAR) | 10 | 2 |

*Color Code (-)=Not Shown #=Series, Serial Prefix or Run No., N=Not Available

Section: BODY

Model: MER6775AAB



C14-881

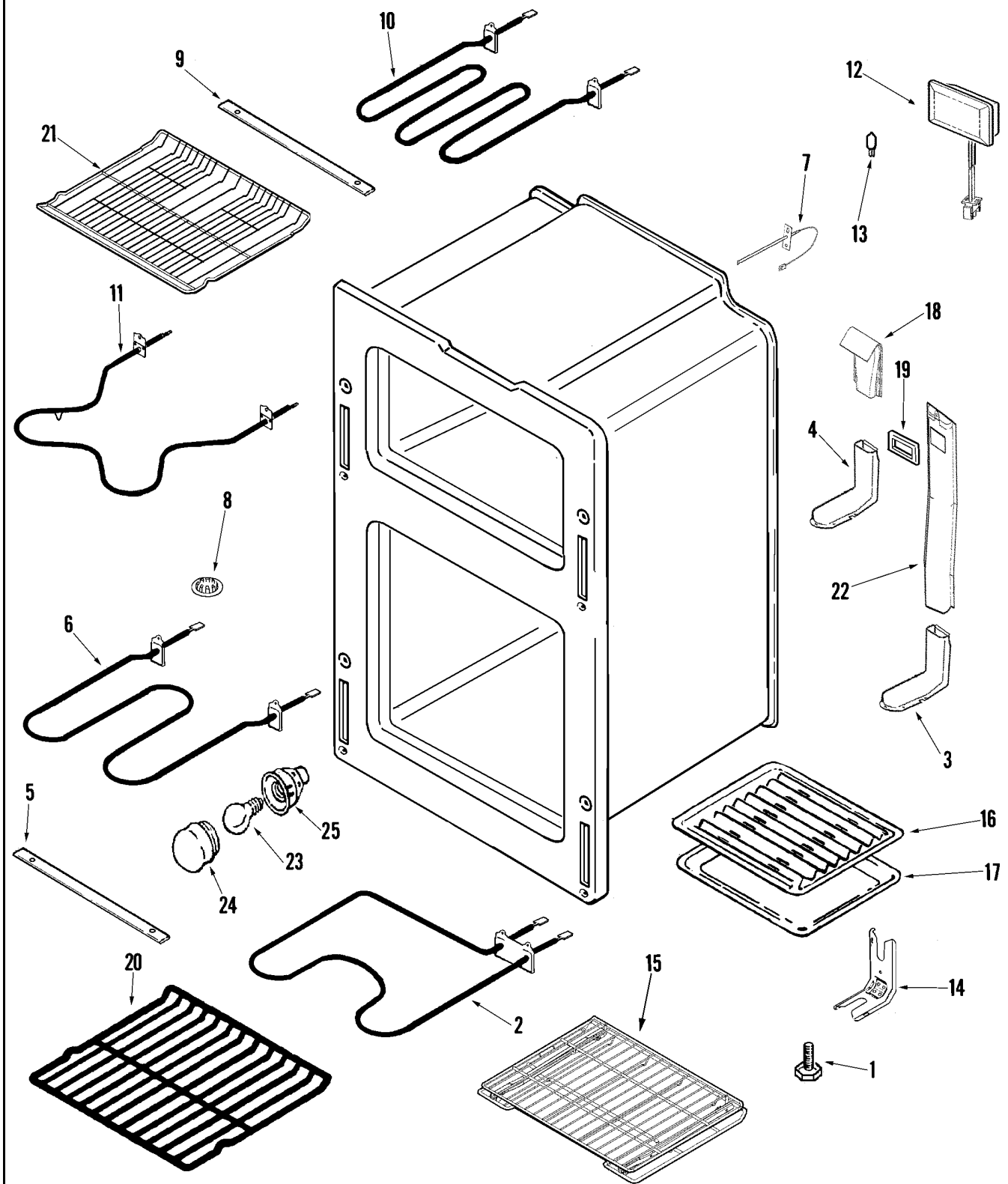
Section: BODY

| No. | Part No. | Description | Series | Qty |
|-----|----------|---------------------------|--------|-----|
| - | 74005500 | SUPPORT, OVEN (LWR) | 10 | 2 |
| 34 | 74007427 | SPACER, SIDE PANEL (LONG) | 10 | 2 |

*Color Code (-)=Not Shown #=Series, Serial Prefix or Run No., N=Not Available

Section: OVEN

Model: MER6775AAB



C12-507

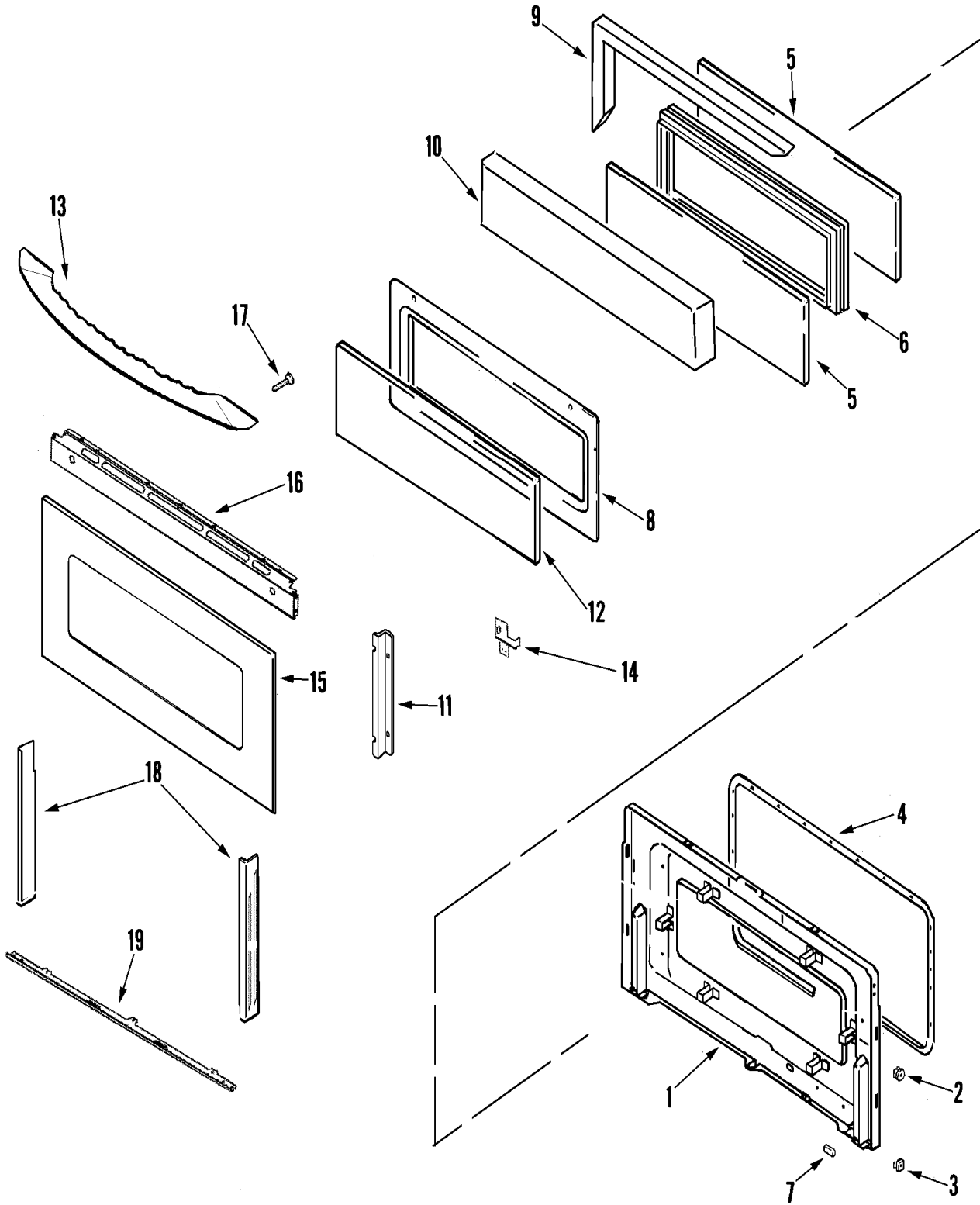
Section: OVEN

| No. | Part No. | Description | Series | Qty |
|-----|-------------|--|--------|-----|
| 1 | 74002373 | LEG, LEVELING | 10 | 4 |
| 2 | 74004107 | ELEMENT, BAKE (LOWER) Note: ELEMENT, BAKE (LWR) | 10 | 1 |
| - | 74001530 | SCREW (8AB1/2-NI) Note: SCREW, ELEMENT | 10 | 2 |
| - | 74007932 | INSULATOR, TERMINAL | 10 | 1 |
| - | 74001530 | SCREW (8AB1/2-NI) | 10 | 2 |
| 3 | 74003394 | VENT BOX ASSEMBLY Note: VENT BOX ASSEMBLY (LWR) | 10 | 1 |
| - | 74008597 | SCREEN, SMOKE ELIMINATOR | 10 | 1 |
| - | 74001530 | SCREW (8AB1/2-NI) | 10 | 2 |
| 4 | 74004522 | BOX, VENT ASSY (UPR) Note: VENT BOX ASSEMBLY (UPR) | 10 | 1 |
| 5 | 74003386 | SUPPORT, BROIL ELEMENT | 10 | 2 |
| - | 7101P345-60 | SCREW Note: SCREW, SUPPORT | 10 | 6 |
| - | 74001530 | SCREW (8AB1/2-NI) Note: SCREW, ELEMENT | 10 | 2 |
| 6 | 74003041 | ELEMENT, BROIL (4 PASS) Note: ELEMENT, BROIL (4 PASS)(LWR) | 10 | 1 |
| - | 74001530 | SCREW (8AB1/2-NI) | 10 | 4 |
| 7 | 74003095 | SENSOR, OVEN (LONG) Note: SENSOR, OVEN (UPR) | 10 | 1 |
| 7 | 74004943 | SENSOR, OVEN (LONG) Note: SENSOR, OVEN (LWR) | 10 | 1 |
| 8 | 74004517 | PLUG, HOLE | 10 | 1 |
| 9 | 3807F176-19 | SUPPORT, BROIL ELEMENT Note: SUPPORT, BROIL ELEMENT (UPR) | 10 | 1 |
| - | 74001530 | SCREW (8AB1/2-NI) Note: SCREW, ELEMENT | 10 | 4 |
| 10 | 74004106 | ELEMENT, BROIL (UPPER) Note: ELEMENT, BROIL (UPR) | 10 | 1 |
| 11 | 74004105 | ELEMENT, BAKE (UPPER) Note: ELEMENT, BAKE (UPR) | 10 | 1 |
| - | 74001530 | SCREW (8AB1/2-NI) | 10 | 2 |
| 12 | 74009970 | HALOGEN LAMP ASSY. Note: HALOGEN LAMP ASSY.(UPR) | 10 | 1 |
| 13 | 74009925 | BULB, HALOGEN (BI-PIN LOW) | 10 | 1 |
| 14 | 74005564 | BRACKET, ANTI-TIP | 10 | 1 |
| - | 7101P352-60 | SCREW | 10 | 2 |
| 15 | 74005218 | RACK, TELESCOPING ASSY | 10 | 1 |
| 16 | W10124350 | NOT REQUIRED PART OR SEE NOTE Note: NO LONGER SUPPLIED WITH UNIT | 13 | 1 |
| 16 | Y3413F01619 | INSERT, BROIL PAN | 10 | 1 |
| 17 | Y3401F02019 | PAN, BROIL | 10 | 1 |
| 17 | W10124350 | NOT REQUIRED PART OR SEE NOTE Note: NO LONGER SUPPLIED WITH UNIT | 13 | 1 |
| 18 | 74009988 | BRACKET, VENT EXTENSION | 10 | 1 |
| 18 | 74009987 | EXTENSION, VENT (ELECT) | 10 | 1 |
| - | 74001530 | SCREW (8AB1/2-NI) | 10 | 2 |
| 19 | 74004533 | GASKET, VENT BOX (UPR) | 10 | 1 |
| 20 | 74001757 | RACK, OVEN Note: RACK, OVEN (LWR) | 10 | 2 |
| 21 | 74004578 | RACK, OVEN (UPR) | 10 | 1 |
| 22 | 74004535 | EXTENSION, OVEN VENT ASSEMBLY | 10 | 1 |
| - | 74001530 | SCREW (8AB1/2-NI) | 10 | 2 |
| 23 | 707319 | BULB, OVEN (40 WATT BRASS) | 10 | 1 |
| 24 | 71001867 | LENS, BULB | 10 | 1 |
| 25 | 71002427 | OVEN LIGHT ASSY. Note: OVEN LIGHT ASSY.(LWR) | 10 | 1 |

*Color Code (-)=Not Shown #=Series, Serial Prefix or Run No., N=Not Available

Section: DOOR (UPPER)

Model: MER6775AAB



C11-798

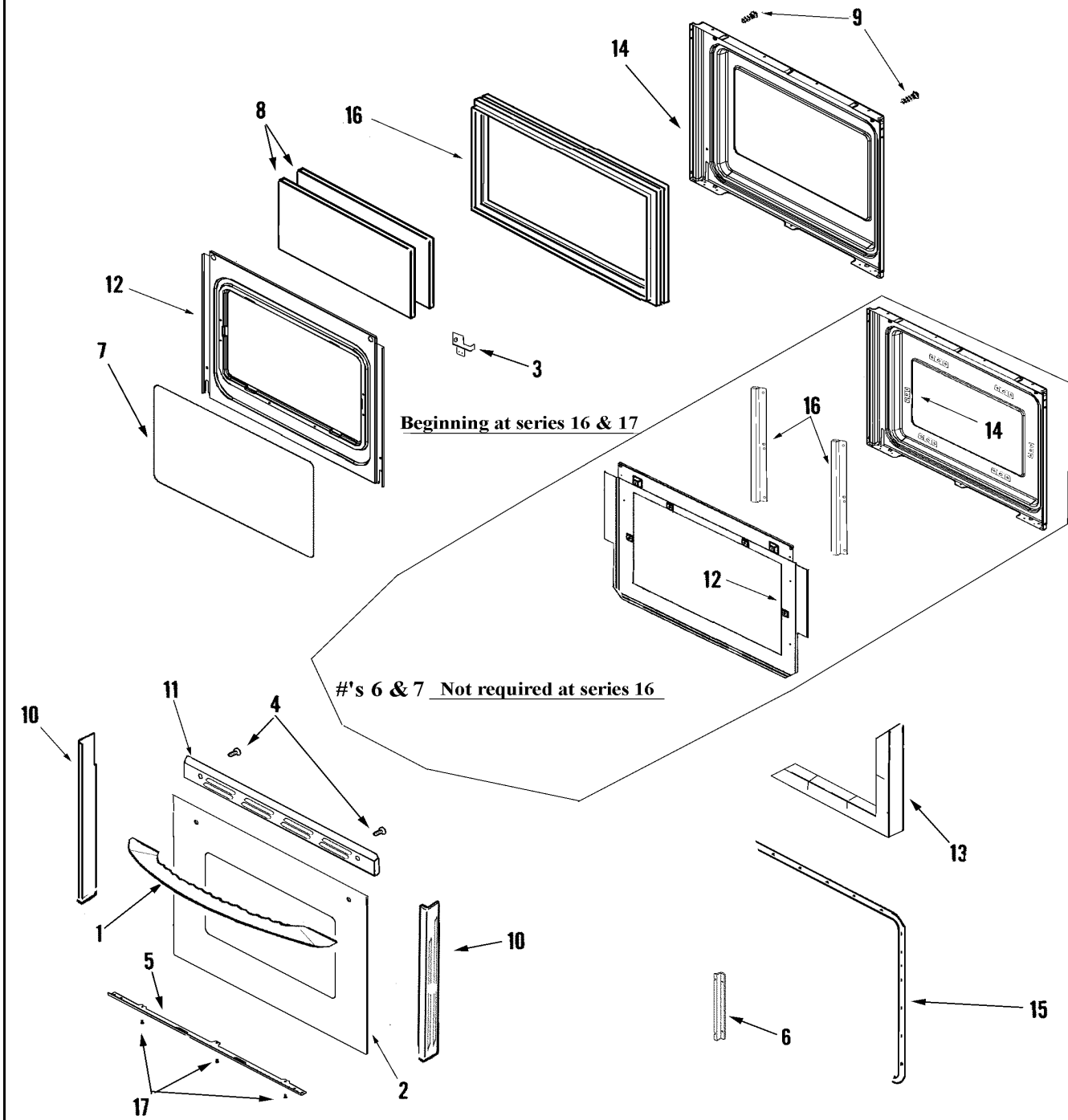
Section: DOOR (UPPER)

| No. | Part No. | Description | Series | Qty |
|-----|-------------|---|--------|-----|
| 1 | 74004564 | LINING, OVEN DOOR | 10 | 1 |
| 2 | 7103P039-60 | NUT, SNAP (ROUND-WHT) | 10 | 4 |
| 3 | 74001574 | NUT, SNAP (ROUND-BLK) Note: NUT, SNAP (BLK) | 10 | 4 |
| 4 | 74004565 | GASKET, OVEN DOOR | 10 | 1 |
| 5 | 74004566 | GLASS, DOOR (INNER) | 10 | 2 |
| 6 | 74004567 | FRAME, GLASS | 10 | 1 |
| 7 | 74005546 | SPACER, RUBBER | 10 | 4 |
| 8 | 74009976 | BAFFLE, OVEN DOOR | 10 | 1 |
| - | 74001530 | SCREW (8AB1/2-NI) | 10 | 2 |
| 9 | 74004569 | INSULATION, DOOR (8.5 X 21.5) | 10 | 2 |
| 10 | 74004570 | INSULATION, DOOR (3 X 8.7)-SUB | 10 | 2 |
| 11 | 74004592 | RETAINER, GLASS SUPPORT | 10 | 2 |
| - | 74001530 | SCREW (8AB1/2-NI) Note: SCREW, RETAINER | 10 | 4 |
| 12 | 74004571 | GLASS, OVEN DOOR | 10 | 1 |
| 13 | 74008941 | HANDLE, DOOR (BLK) | 10 | 1 |
| 13 | 74010971 | HANDLE, DOOR (BLK) | 14 | 1 |
| 13 | 74011767 | HANDLE, DOOR (BLK) Note: MUST ORDER 2/74011674 W/HANDLE | 17 | 1 |
| - | 74006777 | SCREW 10-32 W/ WASHER | 10 | 2 |
| 14 | 74009698 | BRACKET, DOOR HANDLE (RT) | 10 | 1 |
| - | 7101P208-60 | SCREW (10ABX1/4P TR ZN) | 10 | 2 |
| - | 74005546 | SPACER, RUBBER | 10 | 2 |
| 14 | 74009699 | BRACKET, DOOR HANDLE (LT) | 10 | 1 |
| - | 74001530 | SCREW (8AB1/2-NI) | 10 | 2 |
| 15 | 12002454 | KIT, DOOR GLASS (BLK) | 10 | 1 |
| 16 | 74009689 | TRIM, DOOR TOP (BLK) | 10 | 1 |
| - | 74009537 | SCREW (BLK) Note: SCREW (1/2"-BLK) | 10 | 2 |
| 17 | 74011674 | SCREW, HANDLE MOUNTING | 17 | 2 |
| 17 | 74006777 | SCREW 10-32 W/ WASHER Note: SCREW,W/ WASHER (HANDLE) | 10 | 2 |
| 18 | 74009746 | TRIM, DOOR (BLK-LT) | 10 | 1 |
| - | 74009537 | SCREW (BLK) | 10 | 2 |
| 18 | 74009745 | TRIM, DOOR (BLK-RT) | 10 | 1 |
| - | 74009025 | TAPE, DBL SIDED (BLK) | 10 | 1 |
| - | 74001530 | SCREW (8AB1/2-NI) | 10 | 5 |
| 19 | 74009686 | SUPPORT, GLASS (BLK) | 10 | 1 |

*Color Code (-)=Not Shown #=Series, Serial Prefix or Run No., N=Not Available

Section: DOOR (LOWER)

Model: MER6775AAB



C11-903

Section: DOOR (LOWER)

| No. | Part No. | Description | Series | Qty |
|-----|-------------|---|--------|-----|
| 1 | 74011767 | HANDLE, DOOR (BLK) Note: MUST ORDER 2/74011674 W/HANDLE | 17 | 1 |
| 1 | 74008941 | HANDLE, DOOR (BLK) | 10 | 1 |
| 1 | 74010971 | HANDLE, DOOR (BLK) | 14 | 1 |
| 2 | 12002395 | KIT, DOOR GLASS (BLK) | 10 | 1 |
| 3 | 74009698 | BRACKET, DOOR HANDLE (RT) | 10 | 1 |
| 3 | 74009699 | BRACKET, DOOR HANDLE (LT) | 10 | 1 |
| - | 74001530 | SCREW (8AB1/2-NI) | 10 | 2 |
| - | 74005546 | SPACER, RUBBER | 10 | 2 |
| - | 7101P208-60 | SCREW (10ABX1/4P TR ZN) | 10 | 2 |
| 4 | 74011674 | SCREW, HANDLE MOUNTING | 17 | 2 |
| 4 | 74006777 | SCREW 10-32 W/ WASHER Note: SCREW W/ WASHER (HANDLE) | 10 | 2 |
| 5 | 74009686 | SUPPORT, GLASS (BLK) | 10 | 1 |
| - | W10124350 | NOT REQUIRED PART OR SEE NOTE | 16 | 2 |
| - | W10124350 | NOT REQUIRED PART OR SEE NOTE | 17 | 0 |
| 6 | 74003650 | RETAINER, GLASS | 10 | 2 |
| 7 | W10124350 | NOT REQUIRED PART OR SEE NOTE | 16 | 1 |
| 7 | W10124350 | NOT REQUIRED PART OR SEE NOTE | 17 | 0 |
| 7 | 74003649 | GLASS, DOOR | 10 | 1 |
| 8 | 74003645 | GLASS, INNER | 10 | 2 |
| 9 | 74001530 | SCREW (8AB1/2-NI) Note: SCREW, RETAINER | 10 | 4 |
| 10 | 74009692 | TRIM, DOOR (BLK-RT) | 10 | 1 |
| - | 74009025 | TAPE, DBL SIDED (BLK) | 10 | 1 |
| 10 | 74009693 | TRIM, DOOR (BLK-LT) | 10 | 1 |
| - | 74009537 | SCREW (BLK) | 10 | 2 |
| 11 | 74009689 | TRIM, DOOR TOP (BLK) | 10 | 1 |
| - | 74009537 | SCREW (BLK) | 10 | 2 |
| 11 | 74003664 | TAPE, FOIL 29" X 2" | 16 | 1 |
| 12 | 74011457 | BAFFLE, OVEN DOOR | 16 | 1 |
| 12 | 74009502 | BAFFLE, OVEN DOOR | 10 | 1 |
| - | 7101P356-60 | SCREW Note: SCREW, BAFFLE | 10 | 2 |
| 13 | 74003647 | INSULATION, OVEN DOOR | 10 | 2 |
| - | 74001574 | NUT, SNAP (ROUND-BLK) | 10 | 2 |
| - | 7103P039-60 | NUT, SNAP (ROUND-WHT) | 10 | 2 |
| 14 | 74011456 | LINING, DOOR | 16 | 1 |
| 14 | 74003642 | LINING, DOOR | 10 | 1 |
| - | 74001530 | SCREW (8AB1/2-NI) | 16 | 6 |
| 15 | 7201P046-60 | GASKET, DOOR | 10 | 1 |
| 16 | 74011458 | BRACKET, INNER GLASS | 16 | 2 |
| 16 | 74003644 | FRAME, GLASS | 10 | 1 |
| - | 74001530 | SCREW (8AB1/2-NI) | 10 | 4 |
| - | 74002979 | SCREW, 8 X 1/2 | 16 | 6 |

*Color Code (-)=Not Shown #=Series, Serial Prefix or Run No., N=Not Available

Section: SUPPLEMENTAL INFORMATION

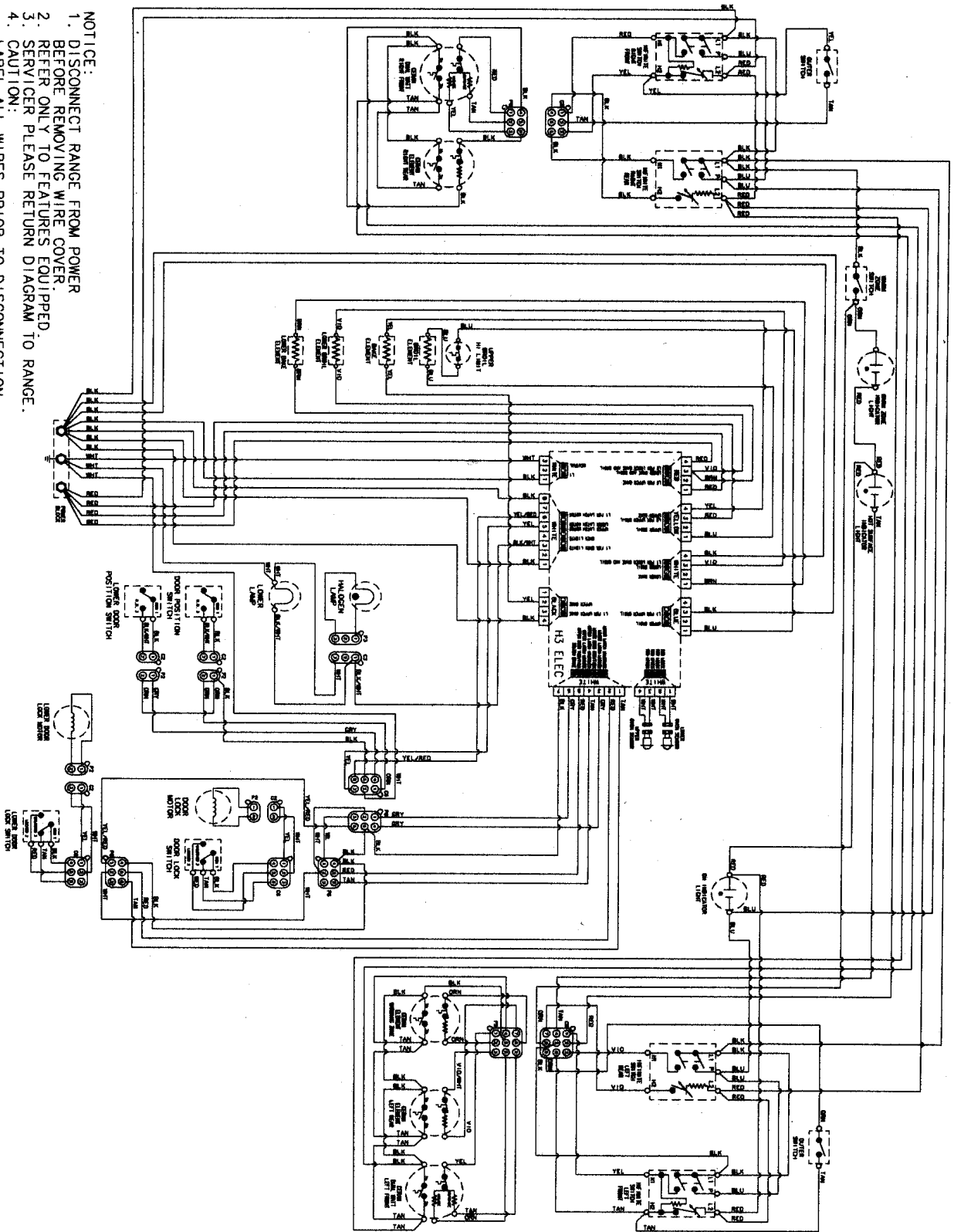
| No. | Part No. | Description | Series | Qty |
|-----|-------------|---|--------|-----|
| - | 74009971 | MINI-MANUAL (ELECTRIC) | 10 | 1 |
| - | 8113P570-60 | MANUAL, USE & CARE | 15 | 1 |
| - | 8113P440-60 | MANUAL, USE & CARE | 10 | 1 |
| - | 74009330 | BOOKLET, COOKING MADE SIMPLE | 10 | 1 |
| - | 74008935 | HARNESS, SWITCH/TOP (RT) | 10 | 1 |
| - | 74010008 | HARNESS, MAIN | 10 | 1 |
| - | 74009975 | HARNESS, DOOR POSITION | 10 | 2 |
| - | 74010050 | HARNESS, TOP (5 BURNER) | 10 | 1 |
| - | 74009965 | HARNESS, SIDE MOUNT LOCK | 10 | 2 |
| - | 74010051 | HARNESS, LEFT INFINITE | 10 | 1 |
| - | 74010052 | HARNESS, MAIN | 10 | 1 |
| - | 20000001 | COOKTOP CLEANING CREME | 10 | 1 |
| - | 74007585 | RAZOR, SCRAPER | 10 | 1 |
| - | 74009963 | HARNESS, SENSOR | 10 | 1 |
| - | UXA4905ADX | KIT, HALF RACK SALES (4.0) | 10 | 1 |
| - | 12500100 | KIT, BROILER PAN/INSERT--W Note: KIT, BROILER PAN/INSERT AVAILABLE AS AN ACCESSORY ONLY | 13 | 1 |

*Color Code (-)=Not Shown #=Series, Serial Prefix or Run No., N=Not Available

Section: WIRING INFORMATION

Model: MER6775AAB

- NOTICE:**
1. DISCONNECT RANGE FROM POWER BEFORE REMOVING WIRE COVER.
 2. REFER ONLY TO FEATURES EQUIPPED.
 3. SERVICER PLEASE RETURN DIAGRAM TO RANGE.
- CAUTION:**
4. LABEL ALL WIRES PRIOR TO DISCONNECTION WHEN SERVICING CONTROLS. WIRING PROBLEMS CAN CAUSE IMPROPER AND DANGEROUS OPERATION.
 5. VERIFY PROPER OPERATION AFTER SERVICING.



15003558

