

# Repair Parts List

MODEL NUMBER  
MER6875AAS

## RANGE

When requesting service or ordering parts, always provide the following information:

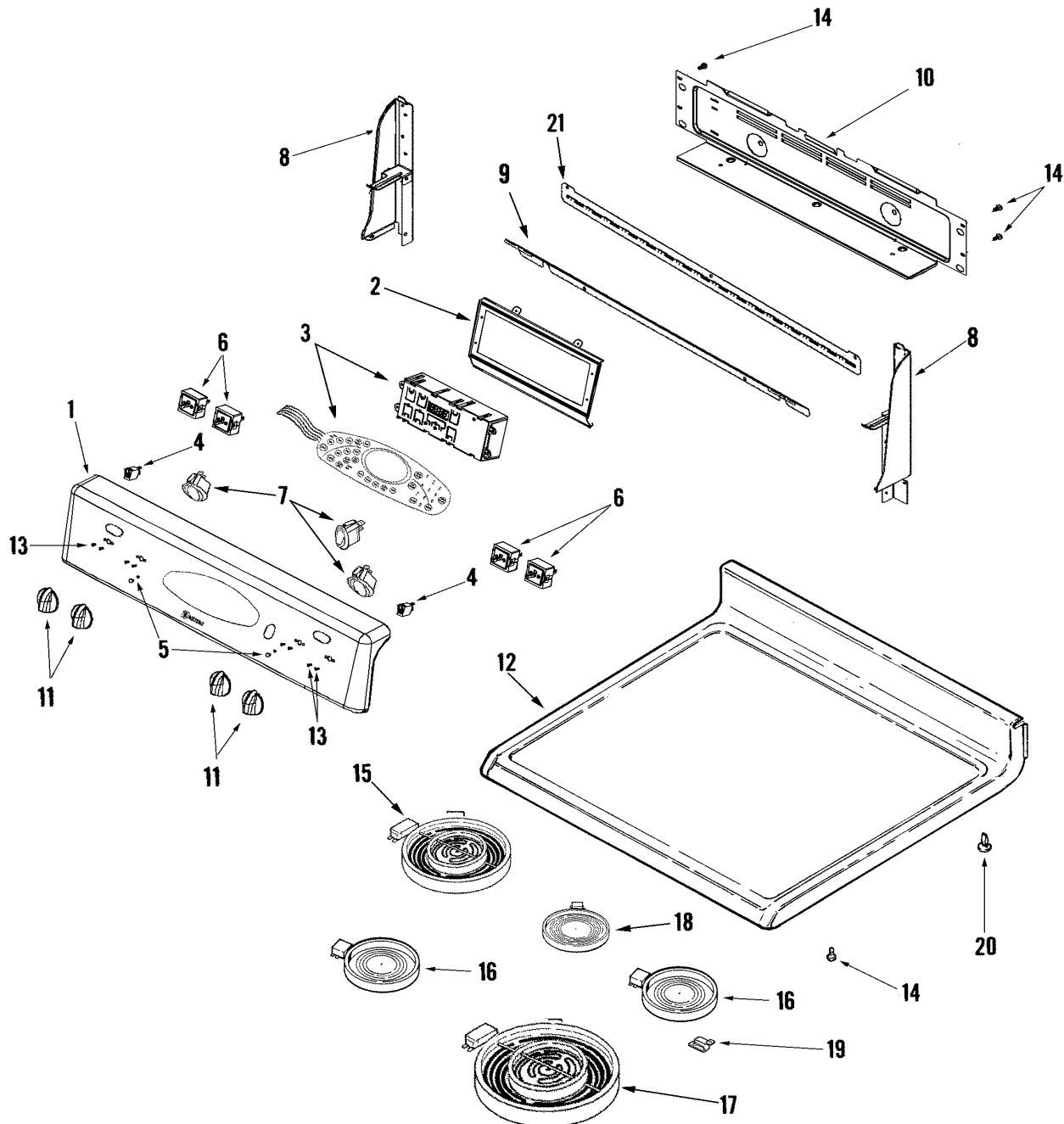
- Product Type
- Part Number
- Model Number
- Part Description

**MAYTAG**®

©2005 Maytag Services

Section: CONTROL PANEL/TOP ASSEMBLY(STL)

Model: MER6875AAS



C10-625

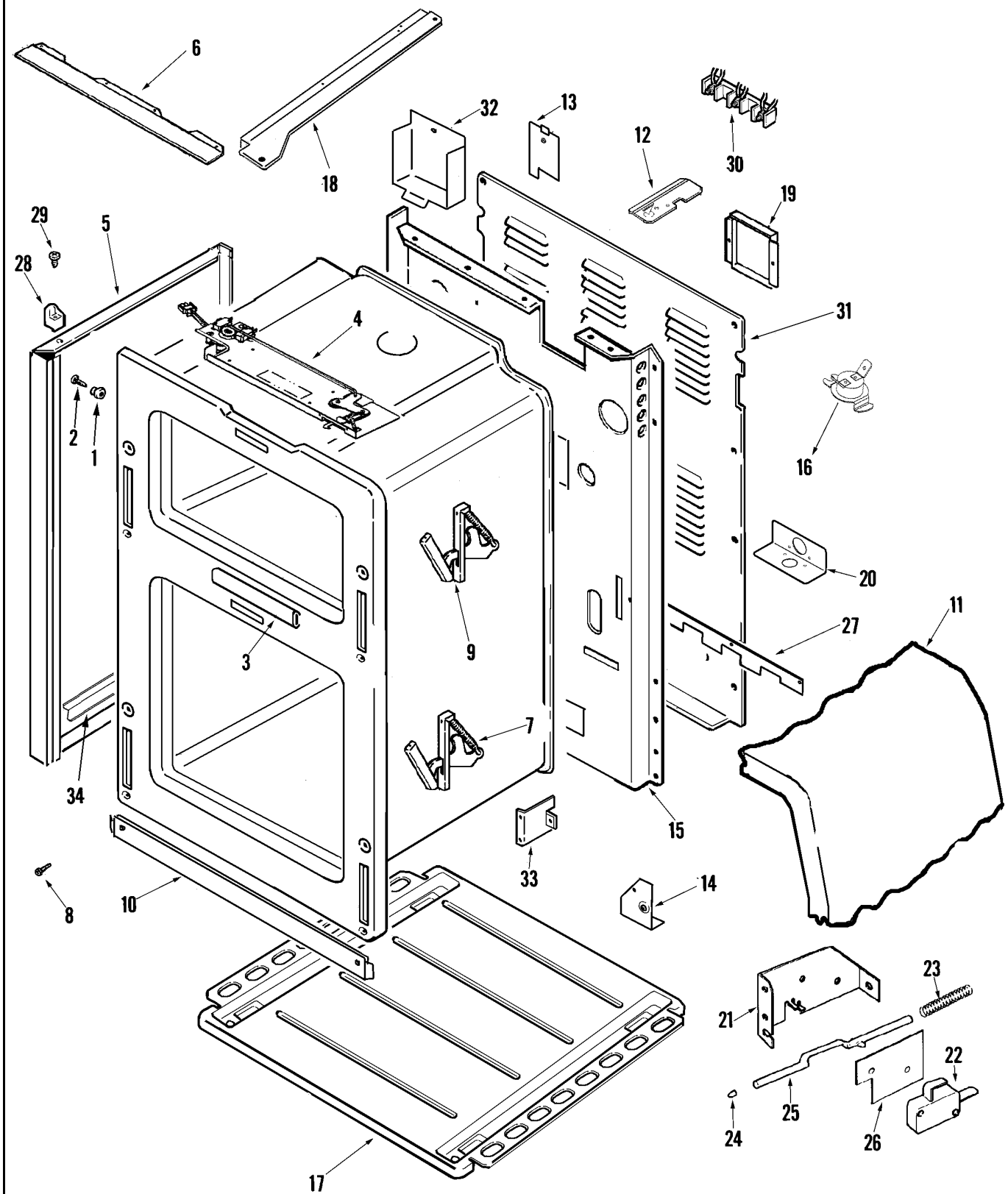
## Section: CONTROL PANEL/TOP ASSEMBLY(STL)

| No. | Part No.      | Description   | Series | Qty |
|-----|---------------|---|--------|-----|
| 1   | 74010057      | PANEL, CONTROL (STL)  | 10     | 1   |
| 2   | 74010058      | BRACKET, CLOCK (H2)   | 10     | 1   |
| -   | 74001530      | SCREW (8AB1/2-NI)   | 10     | 1   |
| 3   | 74009983      | CONTROL/SWITCH ASSEMBLY (BLK)                                 | 10     | 1   |
| 4   | 74004153      | LIGHT, INDICATOR  | 10     | 2   |
| 5   | 7730P011-60   | LENS, INDICATOR LIGHT   | 10     | 2   |
| 6   | 74003122      | SWITCH, INFINITE (DUAL) Note: SWITCH, ELEMENT (DUAL LR/RF)    | 10     | 2   |
| 6   | 74008940      | SWITCH, INFINITE (FLEX) Note: SWITCH, INFINITE (6" RR)        | 10     | 1   |
| 6   | 7403P238-60   | SWITCH, INFINITE (SML ELEMENT) Note: SWITCH, INFINITE (6" LF) | 10     | 2   |
| 7   | 74008937      | SWITCH, ROCKER (BLK)  | 10     | 3   |
| -   | 74003976      | SCREW, SHOULDER   | 10     | 2   |
| 8   | 74009670      | SUPPORT, BACKGUARD (BLK-LT)                                   | 10     | 1   |
| 8   | 74009673      | SUPPORT, BACKGUARD (BLK-RT)                                   | 10     | 1   |
| -   | 74009537      | SCREW (BLK) Note: SCREW (1/2"-BLK)                            | 10     | 2   |
| -   | N 7101P338-60 | SCREW (8BX3/8-NI)   | 10     | 2   |
| 9   | 74009978      | SHIELD, WIRE  | 10     | 1   |
| -   | N 7101P338-60 | SCREW (8BX3/8-NI)   | 10     | 1   |
| 10  | 74010804      | COVER, BACKGUARD WIRE   | 10     | 1   |
| 11  | 74008945      | KNOB (BLK/CHR)  | 10     | 4   |
| 12  | 74010033      | TOP, MAIN (BLK)   | 10     | 1   |
| 13  | 7101P309-60   | SCREW Note: SCREW, SWITCH                                     | 10     | 8   |
| 14  | 74001530      | SCREW (8AB1/2-NI)   | 10     | 16  |
| 15  | 74009898      | ELEMENT, DUAL (2400W) Note: ELEMENT, DUAL (2400W LF)          | 10     | 1   |
| 16  | 74008568      | ELEMENT (1200W) Note: ELEMENT, (1200W LR/RR)                  | 10     | 2   |
| 17  | 74008919      | ELEMENT (2700W) Note: ELEMENT, (2700W RF)                     | 10     | 1   |
| 18  | 74009899      | ELEMENT, WARM (250V)  | 10     | 1   |
| 19  | 74003072      | SUPPORT, CERAMIC ELEMENT                                      | 10     | 12  |
| 20  | 74004558      | GLIDE, MAIN TOP   | 10     | 2   |
| 21  | 74009701      | SHIELD, REAR SIGHT  | 10     | 1   |
| -   | Y700502       | SCREW   | 10     | 2   |

\*Color Code (-)=Not Shown #=Series, Serial Prefix or Run No., N=Not Available

Section: BODY (STL)

Model: MER6875AAS



C14-881

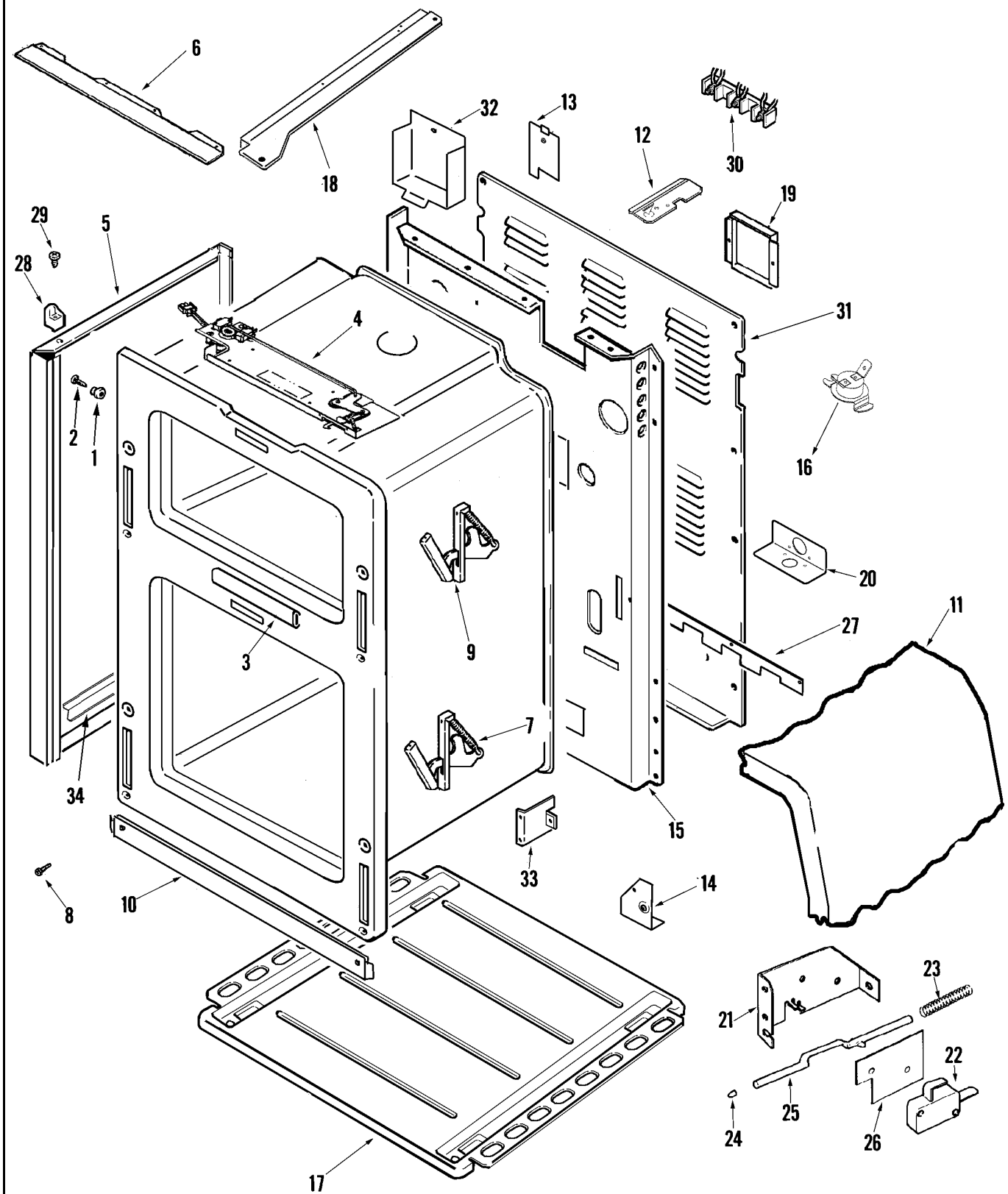
## Section: BODY (STL)

| No.  | Part No.    | Description                                       | Series | Qty |
|------|-------------|---|--------|-----|
| 1    | 8004P024-60 | SPACER, SIDE PANEL                                | 10     | 4   |
| -    | 74001530    | SCREW (8AB1/2-NI) Note: SCREW, SPACER (74007427)  | 10     | 2   |
| 2    | 74007476    | SCREW, W/SHOULDER Note: SCREW, W/SHOULDER         | 10     | 2   |
| 3    | 74004518    | SEAL, FRAME (FRONT)                               | 10     | 1   |
| 4    | 74007429    | LOCK, DOOR LATCH ASY.                             | 10     | 2   |
| -    | 74003975    | SCREW (8ABX3/8-BLK) Note: SCREW, LATCH            | 10     | 2   |
| 5    | 74003283    | PANEL, SIDE (BLK)                                 | 10     | 2   |
| -    | 74001530    | SCREW (8AB1/2-NI) Note: SCREW, PANEL              | 10     | 10  |
| 6    | 74003384    | BRACKET, MAIN TOP                                 | 10     | 1   |
| 7    | 74005725    | HINGE, DOOR                                       | 10     | 2   |
| 8    | 7101P282-60 | SCREW (10-24X5/16-NI) Note: SCREW, HINGE          | 10     | 4   |
| 9    | 74007830    | HINGE ASSY. UPPER DOOR                            | 10     | 2   |
| -    | 7101P282-60 | SCREW (10-24X5/16-NI) Note: SCREW, HINGE          | 10     | 4   |
| 10   | 74007478    | TRIM, KICKPLATE (BLK)                             | 10     | 1   |
| -    | 74009537    | SCREW (BLK) Note: SCREW, KICKPLATE (BLK)          | 10     | 2   |
| -    | 74009979    | INSULATION, OVEN BACK                             | 10     | 1   |
| -    | 74007899    | INSULATION, BURNER BOX                            | 10     | 1   |
| 11   | 74009968    | INSULATION, OVEN WRAP                             | 10     | 1   |
| -    | 74007338    | INSULATION, OVEN BACK LOWER                       | 10     | 1   |
| -    | 74007336    | INSULATION, OVEN TOP                              | 10     | 2   |
| 12   | 74001598    | SHIELD, DOOR LIGHT SWITCH                         | 10     | 1   |
| -    | 74001530    | SCREW (8AB1/2-NI) Note: SCREW, SHIELD             | 10     | 1   |
| 13   | 74007642    | SHIELD, DOOR LOCK WIRE                            | 10     | 1   |
| 14   | 74007447    | BRACKET, REINFORCEMENT (RT)                       | 10     | 1   |
| 14   | 74007446    | BRACKET, REINFORCEMENT (LT)                       | 10     | 1   |
| 15   | 74009961    | BACK, MAIN  | 10     | 1   |
| -    | 74001530    | SCREW (8AB1/2-NI)                                 | 10     | 2   |
| -    | 74003976    | SCREW, SHOULDER                                   | 10     | 4   |
| 16   | 74009969    | SWITCH, HIGH LIMIT                                | 10     | 2   |
| -    | 74001530    | SCREW (8AB1/2-NI)                                 | 10     | 4   |
| 17   | 74009962    | BASE, GEMINI                                      | 10     | 1   |
| 18   | 74007671    | BOX, BURNER (RT)                                  | 10     | 1   |
| 18   | 74007672    | BOX, BURNER (LT)                                  | 10     | 1   |
| -    | 74001530    | SCREW (8AB1/2-NI)                                 | 10     | 6   |
| 19   | 4005F427-51 | COVER, ACCESS                                     | 10     | 1   |
| -    | 74001530    | SCREW (8AB1/2-NI)                                 | 10     | 2   |
| -    | 74001530    | SCREW (8AB1/2-NI)                                 | 10     | 2   |
| 20   | 74004180    | BRACKET, POWER SUPPLY                             | 10     | 1   |
| 21   | 74001632    | BRACKET, SWITCH ACTUATOR                          | 10     | 2   |
| -    | 7101P347-60 | SCREW (8ABX3/8-BLK) Note: SCREW, BRACKET          | 10     | 4   |
| 22   | 74004536    | SWITCH Note: SWITCH, DOOR LIGHT                   | 10     | 2   |
| -    | 7101P330-60 | SCREW, SWITCH                                     | 10     | 4   |
| 23   | 74001629    | SPRING, DOOR SWITCH                               | 10     | 2   |
| 24   | 74001631    | BUMPER, ROD                                       | 10     | 2   |
| 25   | 74003562    | ROD, DOOR LIGHT SWITCH                            | 10     | 2   |
| 26   | 74001872    | INSULATOR, SWITCH                                 | 10     | 2   |
| 27   | 74005653    | SHIELD, POWER CORD                                | 10     | 1   |
| 28   | 8010P087-60 | SPACER, MAIN TOP (LT)                             | 10     | 1   |
| 28   | 8010P088-60 | SPACER, MAIN TOP (RT) Note: SPACER, MAIN TOP (RT) | 10     | 1   |
| 29 N | 7101P313-60 | SCREW (8ABX3/8-ZN) Note: SCREW, SPACER            | 10     | 2   |
| 30   | 7401P038-60 | BLOCK, TERMINAL                                   | 10     | 1   |
| -    | 74004532    | INSULATOR, HEAT SHIELD                            | 10     | 1   |
| 31   | 74004576    | COVER, MAIN WIRE                                  | 10     | 1   |
| -    | 74001530    | SCREW (8AB1/2-NI)                                 | 10     | 11  |
| 32   | 74004577    | COVER, TERMINAL                                   | 10     | 1   |
| 33   | 74005499    | SUPPORT, OVEN (REAR)                              | 10     | 2   |

\*Color Code (-)=Not Shown #=Series, Serial Prefix or Run No., N=Not Available

Section: BODY (STL)

Model: MER6875AAS



C14-881

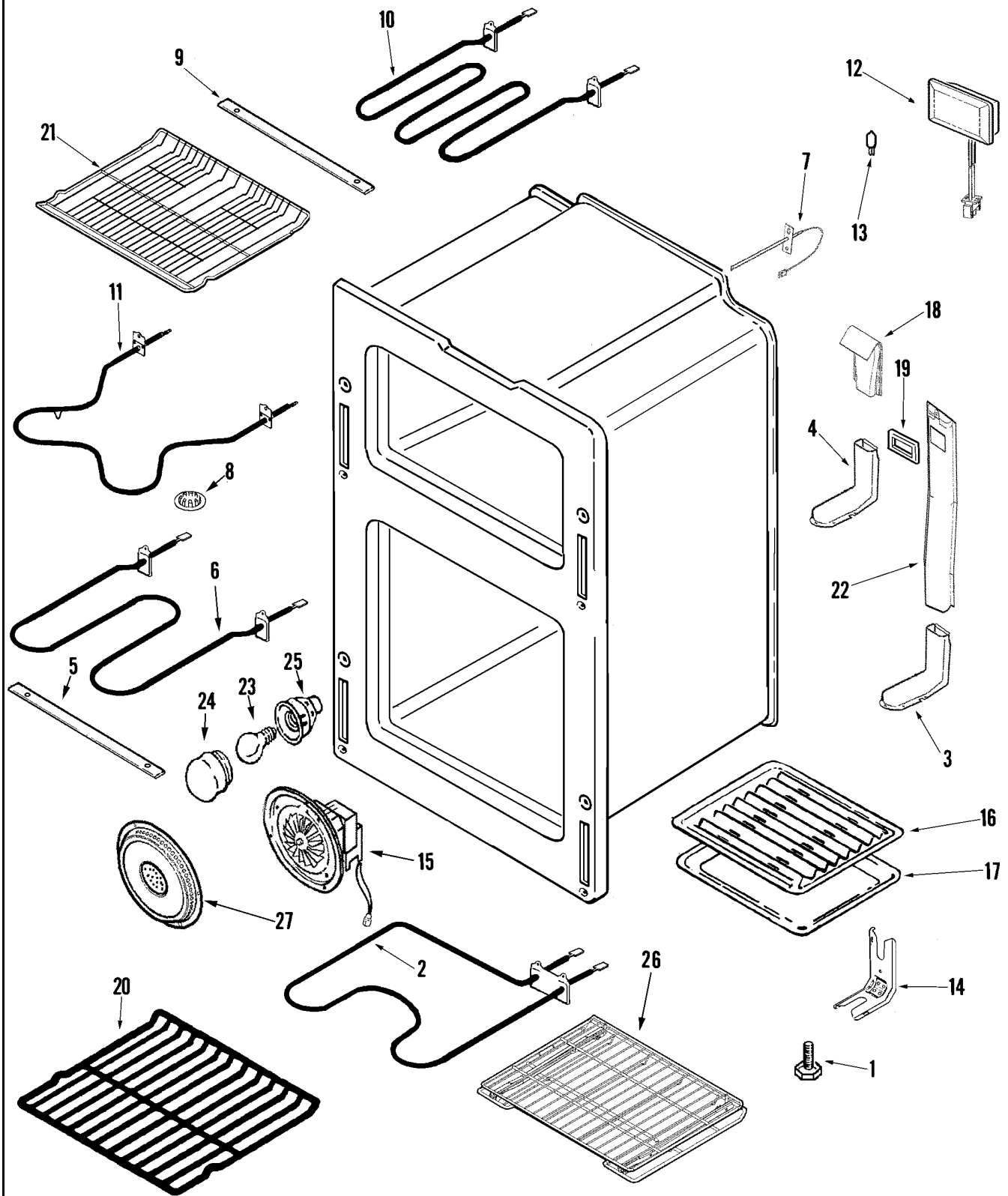
**Section: BODY (STL)**

| No. | Part No. | Description                    | Series Qty |   |
|-----|----------|--------------------------------|------------|---|
| -   | 74005500 | SUPPORT, OVEN (LWR)            | 10         | 2 |
| 34  | 74005498 | RETAINER, INSULATION (CONVECT) | 10         | 1 |
| 35  | 74007427 | SPACER, SIDE PANEL (LONG)      | 10         | 2 |

\*Color Code (-)=Not Shown #=Series, Serial Prefix or Run No., N=Not Available

Section: OVEN (STL)

Model: MER6875AAS



C12-508



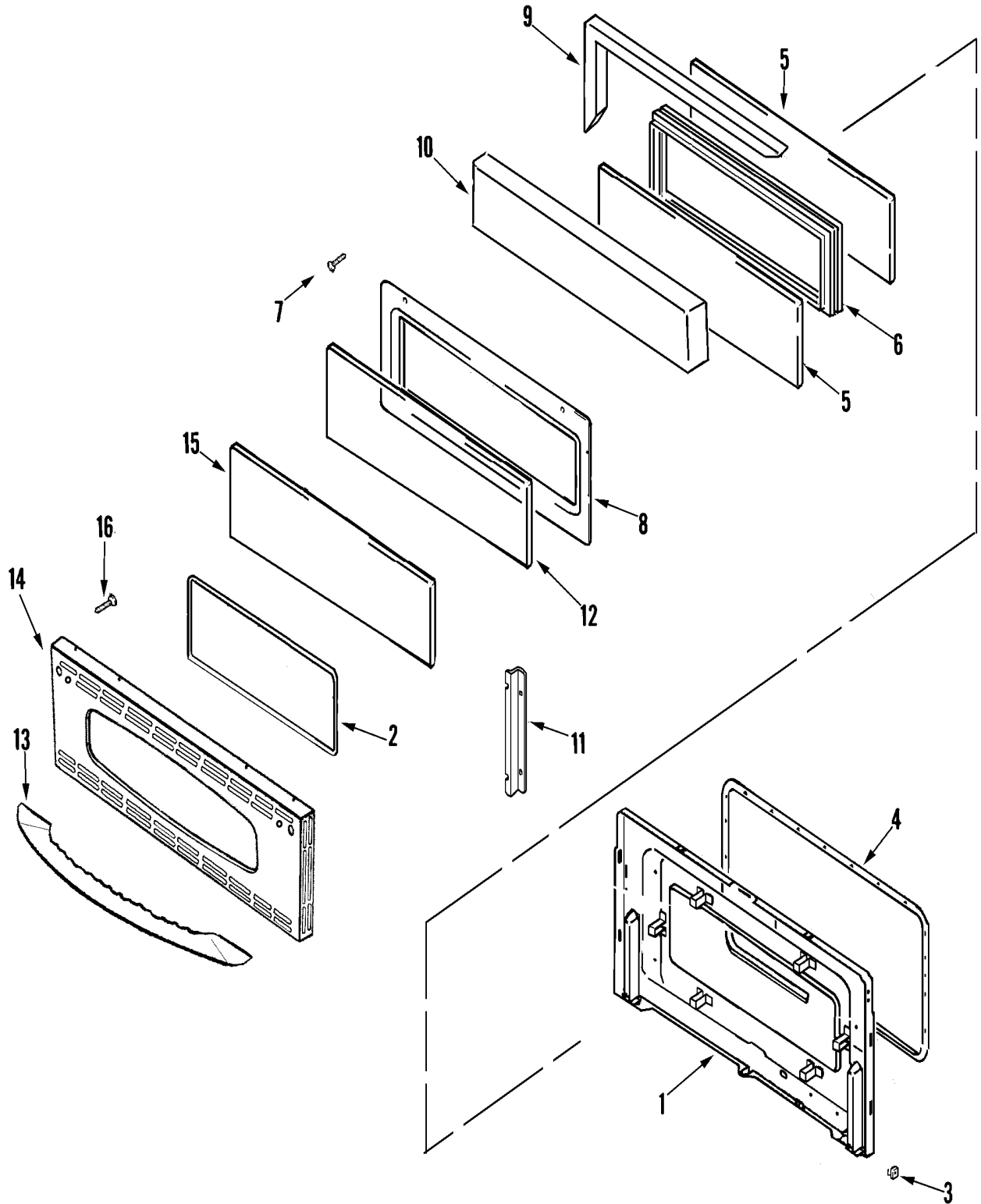
## Section: OVEN (STL)

| No.  | Part No.    | Description  | Series | Qty |
|------|-------------|--|--------|-----|
| 1    | 74002373    | LEG, LEVELING  | 10     | 4   |
| -    | 74007932    | INSULATOR, TERMINAL  | 10     | 1   |
| 2    | 74004107    | ELEMENT, BAKE (LOWER) Note: ELEMENT, BAKE (LWR)                  | 10     | 1   |
| -    | 74001530    | SCREW (8AB1/2-NI) Note: SCREW, ELEMENT                           | 10     | 2   |
| 3    | 74003394    | VENT BOX ASSEMBLY Note: VENT BOX ASSEMBLY (LWR)                  | 10     | 1   |
| -    | 74001530    | SCREW (8AB1/2-NI)  | 10     | 2   |
| 4    | 74004522    | BOX, VENT ASSY (UPR) Note: VENT BOX ASSEMBLY (UPR)               | 10     | 1   |
| -    | 74001530    | SCREW (8AB1/2-NI)  | 10     | 2   |
| -    | 7101P345-60 | SCREW Note: SCREW, SUPPORT                                       | 10     | 6   |
| 5    | 74003386    | SUPPORT, BROIL ELEMENT   | 10     | 2   |
| -    | 74001530    | SCREW (8AB1/2-NI) Note: SCREW, ELEMENT                           | 10     | 2   |
| 6    | 74003041    | ELEMENT, BROIL (4 PASS) Note: ELEMENT, BROIL (4 PASS)(LWR)       | 10     | 1   |
| 7    | 74003095    | SENSOR, OVEN (LONG) Note: SENSOR, OVEN (UPR)                     | 10     | 1   |
| -    | 74001530    | SCREW (8AB1/2-NI)  | 10     | 4   |
| 7    | 74004943    | SENSOR, OVEN (LONG) Note: SENSOR, OVEN (LWR)                     | 10     | 1   |
| 8    | 74004517    | PLUG, HOLE   | 10     | 1   |
| 9    | 3807F176-19 | SUPPORT, BROIL ELEMENT Note: SUPPORT, BROIL ELEMENT (UPR)        | 10     | 1   |
| 10   | 74004106    | ELEMENT, BROIL (UPPER) Note: ELEMENT, BROIL (UPR)                | 10     | 1   |
| -    | 74001530    | SCREW (8AB1/2-NI) Note: SCREW, ELEMENT                           | 10     | 4   |
| 11   | 74004105    | ELEMENT, BAKE (UPPER) Note: ELEMENT, BAKE (UPR)                  | 10     | 1   |
| -    | 74001530    | SCREW (8AB1/2-NI)  | 10     | 2   |
| 12   | 74009970    | HALOGEN LAMP ASSY. Note: HALOGEN LAMP ASSY.(UPR)                 | 10     | 1   |
| 13   | 74009925    | BULB, HALOGEN (BI-PIN LOW)                                       | 10     | 1   |
| -    | 7101P352-60 | SCREW  | 10     | 2   |
| 14   | 74005564    | BRACKET, ANTI-TIP  | 10     | 1   |
| 15 N | 74010062    | FAN, CONVECT ASSY.   | 10     | 1   |
| 16   | W10124350   | NOT REQUIRED PART OR SEE NOTE Note: NO LONGER SUPPLIED WITH UNIT | 14     | 1   |
| 16   | Y3413F01619 | INSERT, BROIL PAN  | 10     | 1   |
| 17   | W10124350   | NOT REQUIRED PART OR SEE NOTE Note: NO LONGER SUPPLIED WITH UNIT | 14     | 1   |
| 17   | Y3401F02019 | PAN, BROIL   | 10     | 1   |
| 18   | 74009987    | EXTENSION, VENT (ELECT)  | 10     | 1   |
| -    | 74001530    | SCREW (8AB1/2-NI)  | 10     | 2   |
| 18   | 74009988    | BRACKET, VENT EXTENSION  | 10     | 1   |
| 19   | 74004533    | GASKET, VENT BOX (UPR)   | 10     | 1   |
| 20   | 74001757    | RACK, OVEN Note: RACK, OVEN (LWR)                                | 10     | 2   |
| 21   | 74004578    | RACK, OVEN (UPR)   | 10     | 1   |
| 22   | 74004535    | EXTENSION, OVEN VENT ASSEMBLY                                    | 10     | 1   |
| -    | 74001530    | SCREW (8AB1/2-NI)  | 10     | 2   |
| 23   | 707319      | BULB, OVEN (40 WATT BRASS)                                       | 10     | 1   |
| 24   | 71001867    | LENS, BULB   | 10     | 1   |
| 25   | 71002427    | OVEN LIGHT ASSY. Note: OVEN LIGHT ASSY.(LWR)                     | 10     | 1   |
| 26   | 74005218    | RACK, TELESCOPING ASSY   | 10     | 1   |
| 27   | 74005783    | COVER, CONVECT   | 10     | 1   |

\*Color Code (-)=Not Shown #=Series, Serial Prefix or Run No., N=Not Available

Section: DOOR (UPPER-STL)

Model: MER6875AAS



C11-804

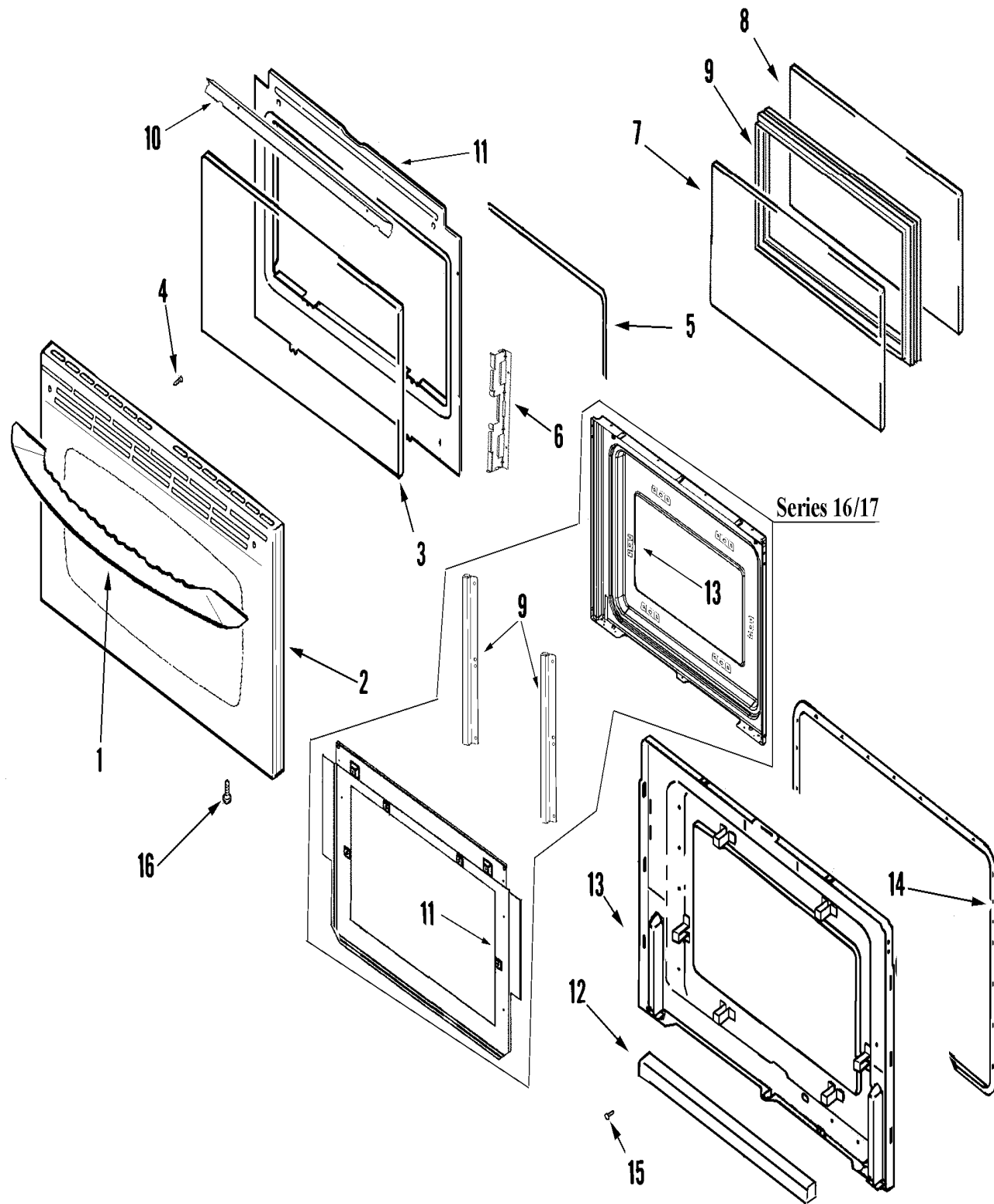
## Section: DOOR (UPPER-STL)

| No. | Part No. | Description   | Series | Qty |
|-----|----------|---|--------|-----|
| 1   | 74004564 | LINING, OVEN DOOR   | 10     | 1   |
| 2   | 74004906 | GASKET, SILICONE  | 10     | 1   |
| 3   | 74001574 | NUT, SNAP (ROUND-BLK)                                     | 10     | 2   |
| 4   | 74004565 | GASKET, OVEN DOOR   | 10     | 1   |
| 5   | 74004566 | GLASS, DOOR (INNER)                                       | 10     | 2   |
| 6   | 74004567 | FRAME, GLASS  | 10     | 1   |
| 7   | 74001530 | SCREW (8AB1/2-NI)   | 10     | 4   |
| 8   | 74009976 | BAFFLE, OVEN DOOR   | 10     | 1   |
| 9   | 74004569 | INSULATION, DOOR (8.5 X 21.5)                             | 10     | 2   |
| 10  | 74004570 | INSULATION, DOOR (3 X 8.7)-SUB                            | 10     | 2   |
| -   | 74001530 | SCREW (8AB1/2-NI) Note: SCREW, RETAINER                   | 10     | 4   |
| 11  | 74004896 | RETAINER, GLASS SUPPORT                                   | 10     | 2   |
| 12  | 74004691 | GLASS, OVEN DOOR (INNER) Note: GLASS, OVEN DOOR (INNER)   | 10     | 1   |
| 13  | 74010973 | HANDLE, DOOR (STL)  | 16     | 1   |
| 13  | 74008944 | HANDLE, DOOR (STL)  | 10     | 1   |
| -   | 74001530 | SCREW (8AB1/2-NI) Note: SCREW, HANDLE                     | 10     | 2   |
| 13  | 74011771 | HANDLE, DOOR (STL) Note: MUST ORDER 2/74011772 W/HANDLE   | 18     | 1   |
| 14  | 12002466 | KIT, DOOR PANEL (UPPER-STL)                               | 10     | 1   |
| -   | 74001530 | SCREW (8AB1/2-NI)   | 10     | 2   |
| 15  | 74010046 | GLASS, OUTER DOOR (STL-UPPER)                             | 10     | 1   |
| 16  | 74011772 | SCREW, HANDLE   | 18     | 2   |
| 16  | 74006777 | SCREW 10-32 W/ WASHER Note: SCREW 10-32 W/ WASHER(HANDLE) | 10     | 2   |

\*Color Code (-)=Not Shown #=Series, Serial Prefix or Run No., N=Not Available

Section: DOOR (LOWER-STL)

Model: MER6875AAS



C11-904

## Section: DOOR (LOWER-STL)

| No. | Part No.    | Description   | Series | Qty |
|-----|-------------|---|--------|-----|
| 1   | 74010973    | HANDLE, DOOR (STL)                                      | 16     | 1   |
| 1   | 74011771    | HANDLE, DOOR (STL) Note: MUST ORDER 2/74011772 W/HANDLE | 18     | 1   |
| 1   | 74008944    | HANDLE, DOOR (STL)                                      | 10     | 1   |
| 2   | 12002465    | KIT, DOOR PANEL (STL)                                   | 10     | 1   |
| -   | 74001574    | NUT, SNAP (ROUND-BLK)                                   | 10     | 2   |
| 3   | 74010042    | GLASS, OVEN DOOR (STL)                                  | 10     | 1   |
| 4   | 74011772    | SCREW, HANDLE   | 18     | 2   |
| 4   | 74006777    | SCREW 10-32 W/ WASHER Note: SCREW, HANDLE               | 10     | 2   |
| 5   | 74009029    | GASKET, DOOR WINDOW                                     | 10     | 1   |
| -   | 74001530    | SCREW (8AB1/2-NI) Note: SCREW, RETAINER                 | 10     | 4   |
| 6   | 74010041    | RETAINER, DOOR GLASS                                    | 10     | 2   |
| 7   | 74003649    | GLASS, DOOR   | 10     | 1   |
| 8   | 74003645    | GLASS, INNER  | 10     | 2   |
| -   | 74002979    | SCREW, 8 X 1/2  | 18     | 6   |
| 9   | 74003644    | FRAME, GLASS  | 10     | 1   |
| 9   | 74011458    | BRACKET, INNER GLASS                                    | 18     | 2   |
| 10  | 74010040    | SHIELD, DOOR (STL)                                      | 10     | 1   |
| -   | 74001530    | SCREW (8AB1/2-NI) Note: SCREW, SHIELD                   | 10     | 2   |
| -   | 74001530    | SCREW (8AB1/2-NI) Note: SCREW, BAFFLE                   | 10     | 4   |
| 11  | 74011457    | BAFFLE, OVEN DOOR                                       | 18     | 1   |
| 11  | 74009502    | BAFFLE, OVEN DOOR                                       | 10     | 1   |
| 12  | 74003647    | INSULATION, OVEN DOOR                                   | 10     | 2   |
| 13  | 74003642    | LINING, DOOR  | 10     | 1   |
| 13  | 74011456    | LINING, DOOR  | 18     | 1   |
| -   | 74001530    | SCREW (8AB1/2-NI)                                       | 18     | 6   |
| 14  | 7201P046-60 | GASKET, DOOR  | 10     | 1   |
| 15  | 74001530    | SCREW (8AB1/2-NI) Note: SCREW, LINING                   | 10     | 4   |
| 16  | 74001530    | SCREW (8AB1/2-NI) Note: SCREW, DOOR PANEL               | 10     | 7   |

\*Color Code (-)=Not Shown #=Series, Serial Prefix or Run No., N=Not Available

**Section: SUPPLEMENTAL INFORMATION (STL)**

**Model: MER6875AAS**

**No image available**

**NOIMAGE**

**Section: SUPPLEMENTAL INFORMATION (STL)**

| No. | Part No.    | Description   | Series | Qty |
|-----|-------------|---|--------|-----|
| -   | 74010224    | MINI-MANUAL (ELEC-H2)   | 10     | 1   |
| -   | 8113P443-60 | MANUAL, USE & CARE  | 10     | 1   |
| -   | 74009330    | BOOKLET, COOKING MADE SIMPLE  | 10     | 1   |
| -   | 74008935    | HARNESS, SWITCH/TOP (RT)  | 10     | 1   |
| -   | 74010758    | HARNESS, MAIN   | 11     | 1   |
| -   | 74010060    | HARNESS, MAIN   | 10     | 1   |
| -   | 74009975    | HARNESS, DOOR POSITION  | 10     | 2   |
| -   | 74010050    | HARNESS, TOP (5 BURNER)   | 10     | 1   |
| -   | 74009965    | HARNESS, SIDE MOUNT LOCK  | 10     | 2   |
| -   | 74010061    | HARNESS, SWITCH/TOP (LT)  | 10     | 1   |
| -   | 74010059    | HARNESS, SENSOR   | 10     | 1   |
| -   | 20000001    | COOKTOP CLEANING CREME  | 10     | 1   |
| -   | 74007585    | RAZOR, SCRAPER  | 10     | 1   |
| -   | UXA4905ADX  | KIT, HALF RACK SALES (4.0)  | 10     | 1   |
| -   | 16026150    | TECH SHT, RPL 16023457 ELRAN  | 10     | 1   |
| -   | 12500100    | KIT, BROILER PAN/INSERT--W Note: KIT, BROILER PAN/INSERT AVAILABLE AS AN ACCESSORY ONLY | 14     | 1   |

\*Color Code (-)=Not Shown #=Series, Serial Prefix or Run No., N=Not Available





**Section: WIRING INFORMATION (STL)**

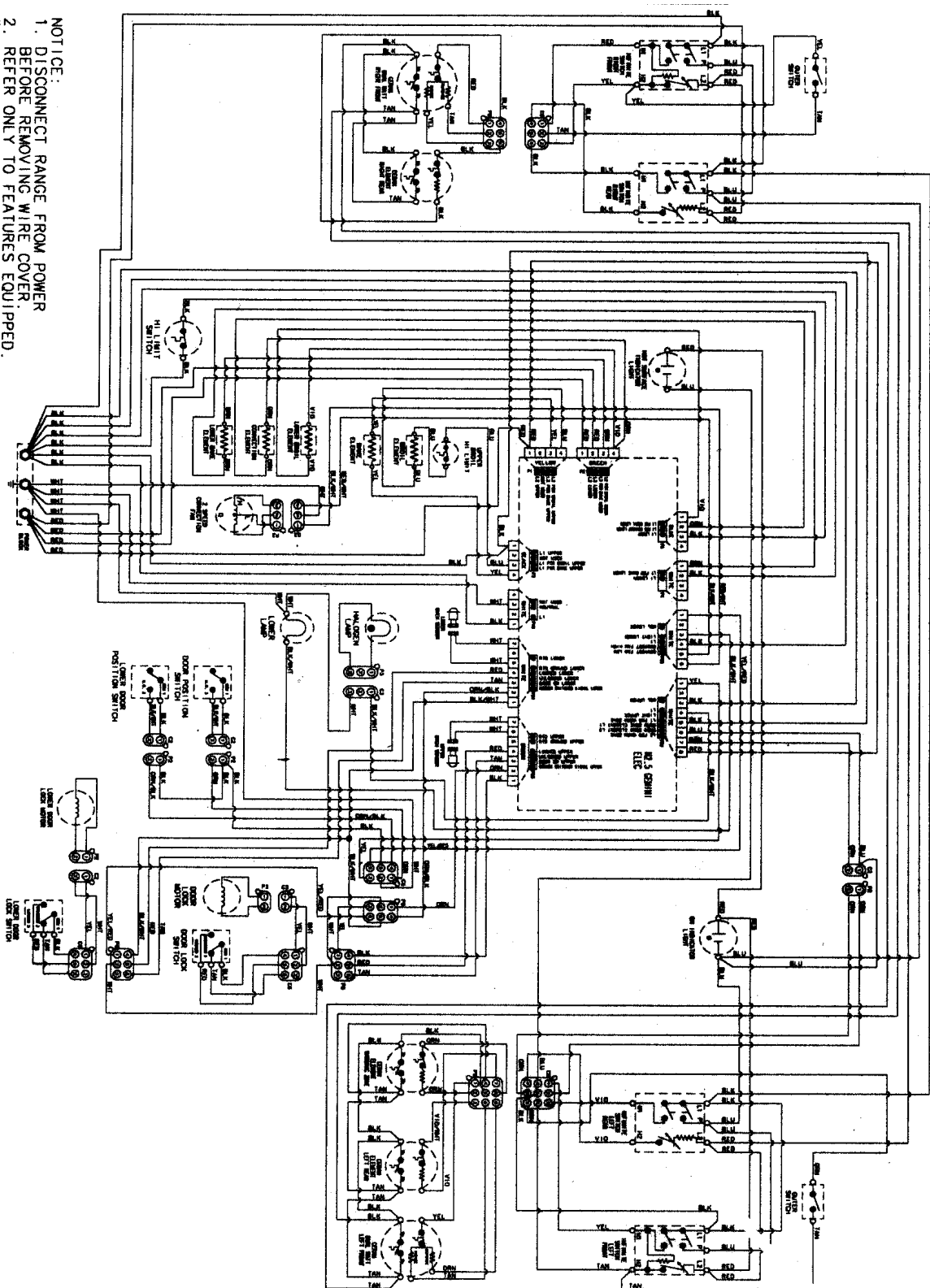
| No. | Part No.   | Description        | Series Qty |
|-----|------------|--------------------|------------|
| -   | N 15003559 | WIRING INFORMATION | 10 1       |

\*Color Code (-)=Not Shown #=Series, Serial Prefix or Run No., N=Not Available

Section: WIRING INFORMATION (STL) (SERIES 11)

Model: MER6875AAS

- NOTICE:
1. DISCONNECT RANGE FROM POWER BEFORE REMOVING WIRE COVER.
  2. REFER ONLY TO FEATURES EQUIPPED.
  3. SERVICER PLEASE RETURN DIAGRAM TO RANGE.
  4. CAUTION:
- LABEL ALL WIRES PRIOR TO DISCONNECTION WHEN SERVICING CONTROLS. WIRING PROBLEMS CAN CAUSE IMPROPER AND DANGEROUS OPERATION.
5. VERIFY PROPER OPERATION AFTER SERVICING.



15003684

**Section: WIRING INFORMATION (STL) (SERIES 11)**

| No. | Part No.   | Description        | Series Qty |
|-----|------------|--------------------|------------|
| -   | N 15003684 | WIRING INFORMATION | 11 1       |

\*Color Code (-)=Not Shown #=Series, Serial Prefix or Run No., N=Not Available

