

Repair Parts List

MODEL NUMBER
MER6875ACW

RANGE

When requesting service or ordering parts, always provide the following information:

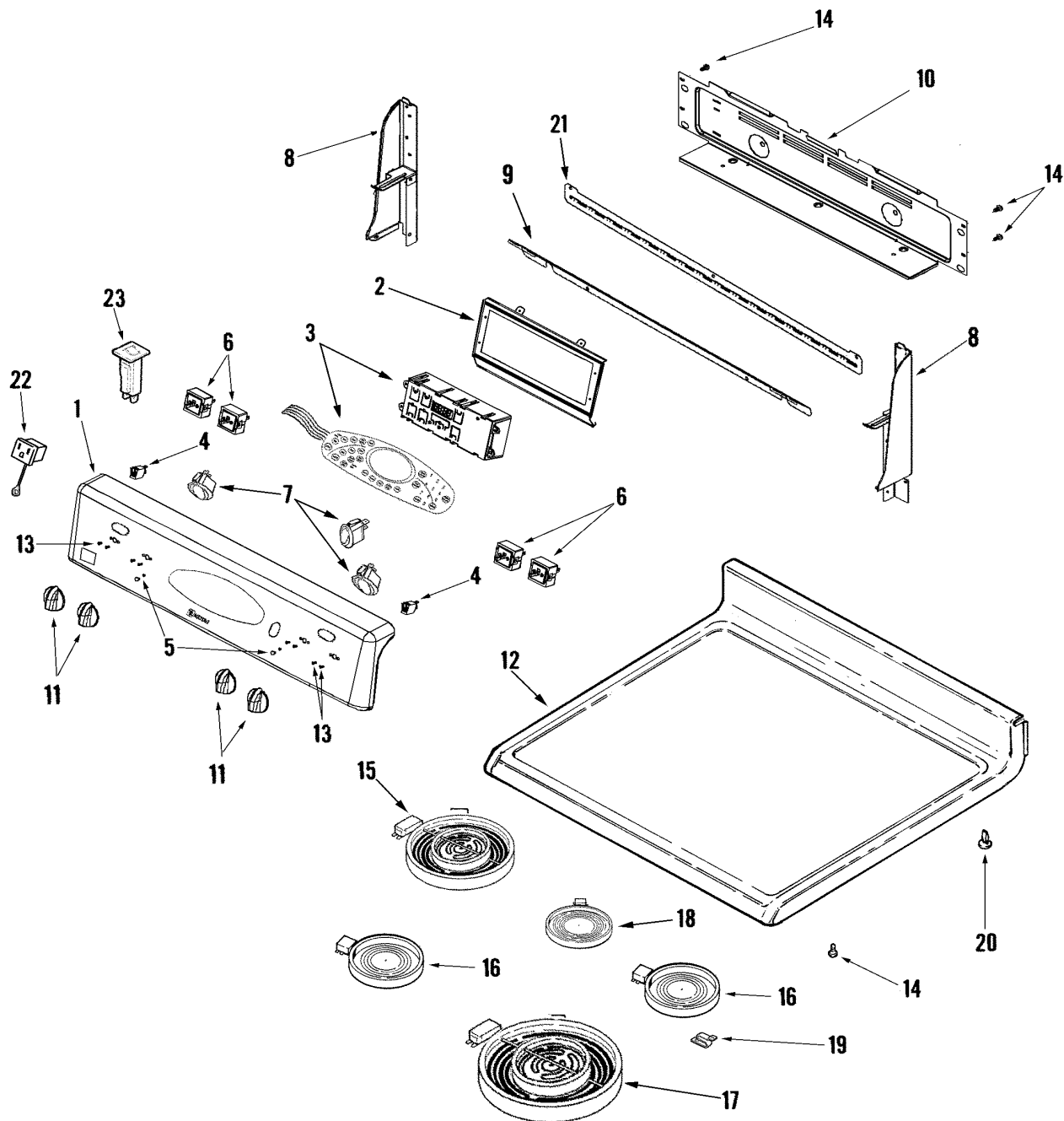
- Product Type
- Part Number
- Model Number
- Part Description

MAYTAG®

©2005 Maytag Services

Section: CONTROL PANEL/TOP ASSEMBLY

Model: MER6875ACW



C10-648

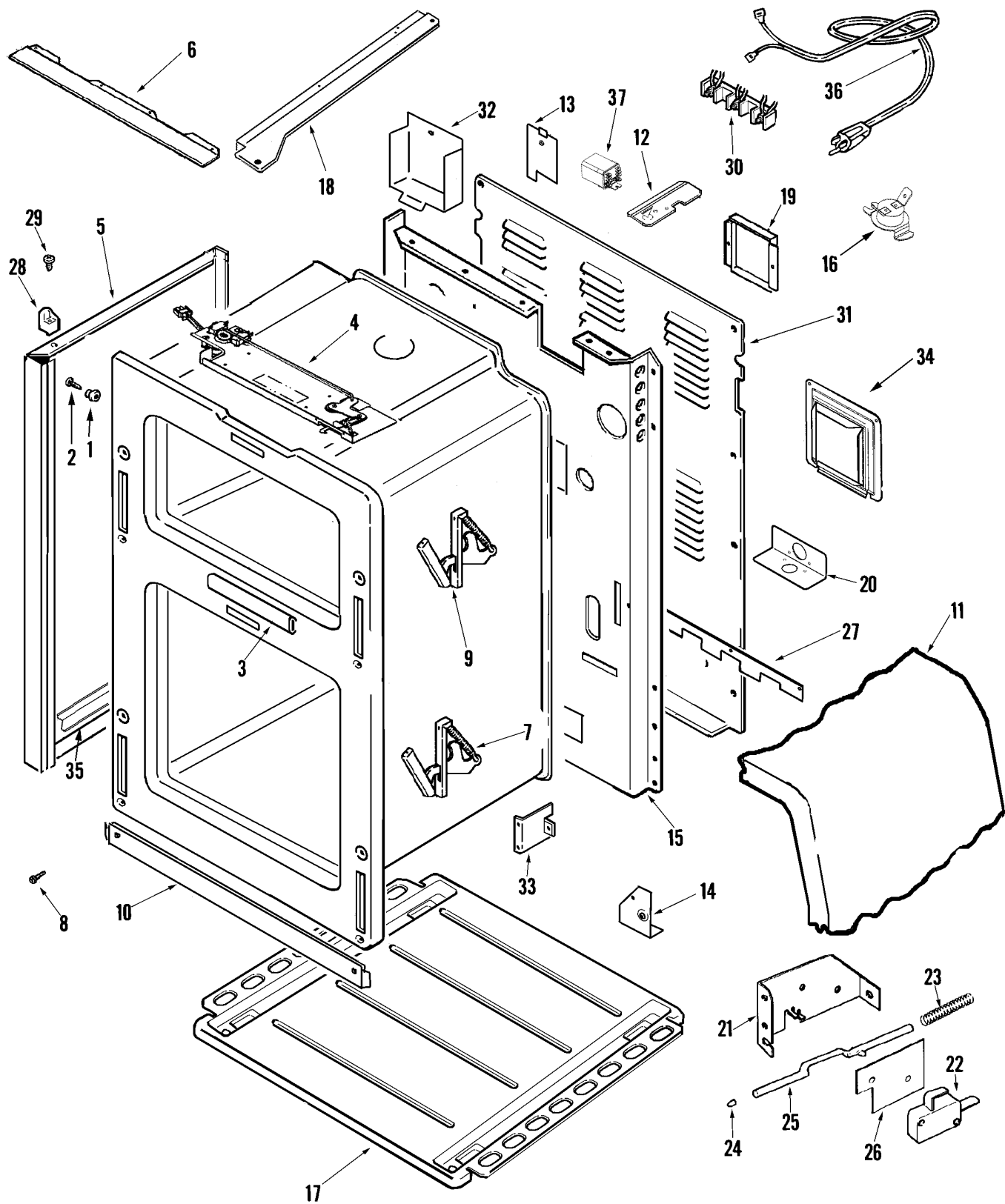
Section: CONTROL PANEL/TOP ASSEMBLY

No.	Part No.	Description	Series	Qty
1	74010400	PANEL, CONTROL (WHT)	10	1
-	74001530	SCREW (8AB1/2-NI)	10	1
2	74010058	BRACKET, CLOCK (H2)	10	1
3	74009981	CONTROL/SWITCH ASSEMBLY (WHT)	10	1
4	74004153	LIGHT, INDICATOR	10	2
5	7730P011-60	LENS, INDICATOR LIGHT	10	2
6	74008940	SWITCH, INFINITE (FLEX) Note: SWITCH, INFINITE (RR)	10	1
6	74003122	SWITCH, INFINITE (DUAL) Note: SWITCH, INFINITE (DUAL LR/RF)	10	2
6	7403P238-60	SWITCH, INFINITE (SML ELEMENT) Note: SWITCH, INFINITE (6" LF)	10	2
7	74008938	SWITCH, ROCKER (WHT)	10	3
-	74003976	SCREW, SHOULDER	10	2
-	74009540	SCREW (WHT) Note: SCREW (1/2" WHT)	10	2
8	74010211	SUPPORT, BACKGUARD (LT-WHT)	10	1
8	74010212	SUPPORT, BACKGUARD (RT-WHT)	10	1
- N	7101P338-60	SCREW (8BX3/8-NI)	10	2
9	74009978	SHIELD, WIRE	10	1
- N	7101P338-60	SCREW (8BX3/8-NI)	10	1
10	74010804	COVER, BACKGUARD WIRE	10	1
11	74008947	KNOB (WHT/CHR)	10	4
12	74010031	TOP, MAIN (WHT)	10	1
13	7101P309-60	SCREW Note: SCREW, SWITCH	10	8
14	74001530	SCREW (8AB1/2-NI)	10	16
15	74009898	ELEMENT, DUAL (2400W) Note: ELEMENT, DUAL (2400W LR)	10	1
16	74008568	ELEMENT (1200W) Note: ELEMENT, (1200W LF/RR)	10	2
17	74008919	ELEMENT (2700W) Note: ELEMENT (2700W RF)	10	1
18	74009899	ELEMENT, WARM (250V)	10	1
19	74003072	SUPPORT, CERAMIC ELEMENT	10	12
20	74004558	GLIDE, MAIN TOP	10	2
21	74009701	SHIELD, REAR SIGHT	10	1
-	Y700502	SCREW	10	2
22	71003069	RECEPTACLE, OUTLET (WHT)	10	1
23	74009322	BREAKER, CIRCUIT (WHT)	10	1

*Color Code (-)=Not Shown #=Series, Serial Prefix or Run No., N=Not Available

Section: BODY

Model: MER6875ACW



C14-895

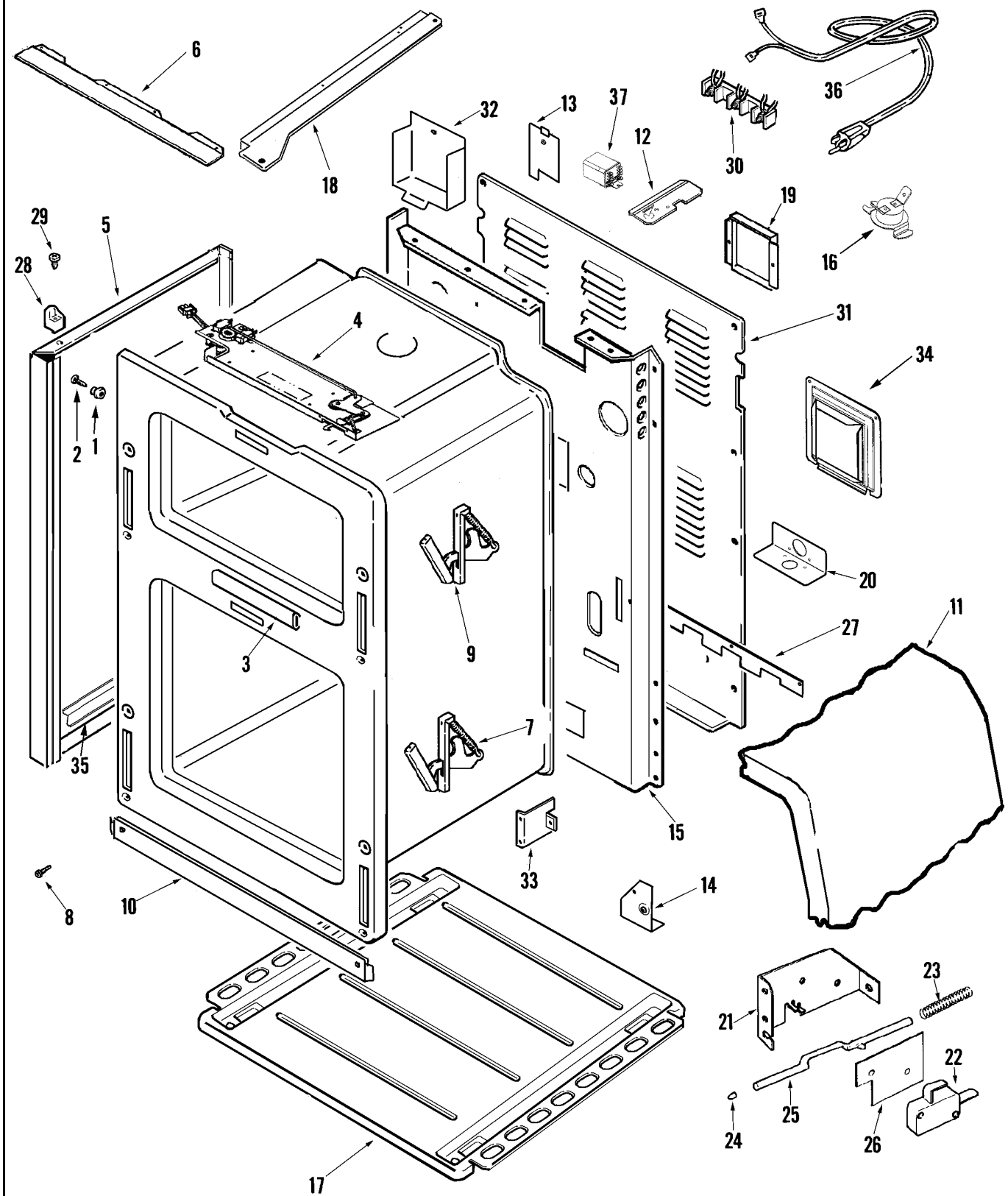
Section: BODY

No.	Part No.	Description	Series	Qty
1	8004P024-60	SPACER, SIDE PANEL	10	4
2	74007476	SCREW, W/SHOULDER Note: SCREW, W/SHOULDER	10	2
-	74001530	SCREW (8AB1/2-NI) Note: SCREW, SPACER (74007427)	10	2
3	74004518	SEAL, FRAME (FRONT)	10	1
4	74007429	LOCK, DOOR LATCH ASY.	10	1
4	74007637	DOOR LOCK LATCH ASSY.(SIDE/MT) Note: DOOR LOCK (UPPER) (SIDE/MT)	10	1
-	74003975	SCREW (8ABX3/8-BLK) Note: SCREW, LATCH	10	2
5	74003236	PANEL, SIDE (WHT)	10	2
-	74001530	SCREW (8AB1/2-NI) Note: SCREW, PANEL	10	10
6	74003384	BRACKET, MAIN TOP	10	1
7	74005725	HINGE, DOOR	10	2
8	7101P282-60	SCREW (10-24X5/16-NI) Note: SCREW, HINGE	10	4
9	74007830	HINGE ASSY. UPPER DOOR	10	2
-	7101P282-60	SCREW (10-24X5/16-NI) Note: SCREW, HINGE	10	4
10	74007479	TRIM, KICKPLATE (WHT)	10	1
-	74009540	SCREW (WHT) Note: SCREW, KICKPLATE (WHT)	10	2
-	74007336	INSULATION, OVEN TOP	10	2
-	74007899	INSULATION, BURNER BOX	10	1
11	74009968	INSULATION, OVEN WRAP	10	1
-	74007338	INSULATION, OVEN BACK LOWER	10	1
-	74009979	INSULATION, OVEN BACK	10	1
-	74001530	SCREW (8AB1/2-NI) Note: SCREW, SHIELD	10	1
12	74001598	SHIELD, DOOR LIGHT SWITCH	10	1
13	74007642	SHIELD, DOOR LOCK WIRE	10	1
14	74007446	BRACKET, REINFORCEMENT (LT)	10	1
14	74007447	BRACKET, REINFORCEMENT (RT)	10	1
15	74009961	BACK, MAIN	10	1
-	74003976	SCREW, SHOULDER	10	4
-	74001530	SCREW (8AB1/2-NI)	10	2
-	7101P287-60	SCREW, METAL GROUNDING	10	4
16	74009969	SWITCH, HIGH LIMIT	10	2
17	74009962	BASE, GEMINI	10	1
18	74007672	BOX, BURNER (LT)	10	1
18	74007671	BOX, BURNER (RT)	10	1
-	74001530	SCREW (8AB1/2-NI)	10	6
-	74001530	SCREW (8AB1/2-NI)	10	2
19	4005F427-51	COVER, ACCESS	10	1
20	74004180	BRACKET, POWER SUPPLY	10	1
-	74001530	SCREW (8AB1/2-NI)	10	2
21	74001632	BRACKET, SWITCH ACTUATOR	10	2
-	7101P347-60	SCREW (8ABX3/8-BLK) Note: SCREW, BRACKET	10	4
-	7101P330-60	SCREW, SWITCH	10	4
22	74004536	SWITCH Note: SWITCH, DOOR LIGHT	10	2
23	74001629	SPRING, DOOR SWITCH	10	2
24	74001631	BUMPER, ROD	10	2
25	74003562	ROD, DOOR LIGHT SWITCH	10	2
26	74001872	INSULATOR, SWITCH	10	2
27	74005653	SHIELD, POWER CORD	10	1
28	8010P087-60	SPACER, MAIN TOP (LT)	10	1
28	8010P088-60	SPACER, MAIN TOP (RT) Note: SPACER, MAIN TOP (RT)	10	1
29 N	7101P313-60	SCREW (8ABX3/8-ZN) Note: SCREW, SPACER	10	2
-	74004532	INSULATOR, HEAT SHIELD	10	1
30	7401P038-60	BLOCK, TERMINAL	10	1
-	74001530	SCREW (8AB1/2-NI)	10	11
31	74004576	COVER, MAIN WIRE	10	1
32	74004577	COVER, TERMINAL	10	1

*Color Code (-)=Not Shown #=Series, Serial Prefix or Run No., N=Not Available

Section: BODY

Model: MER6875ACW



C14-895

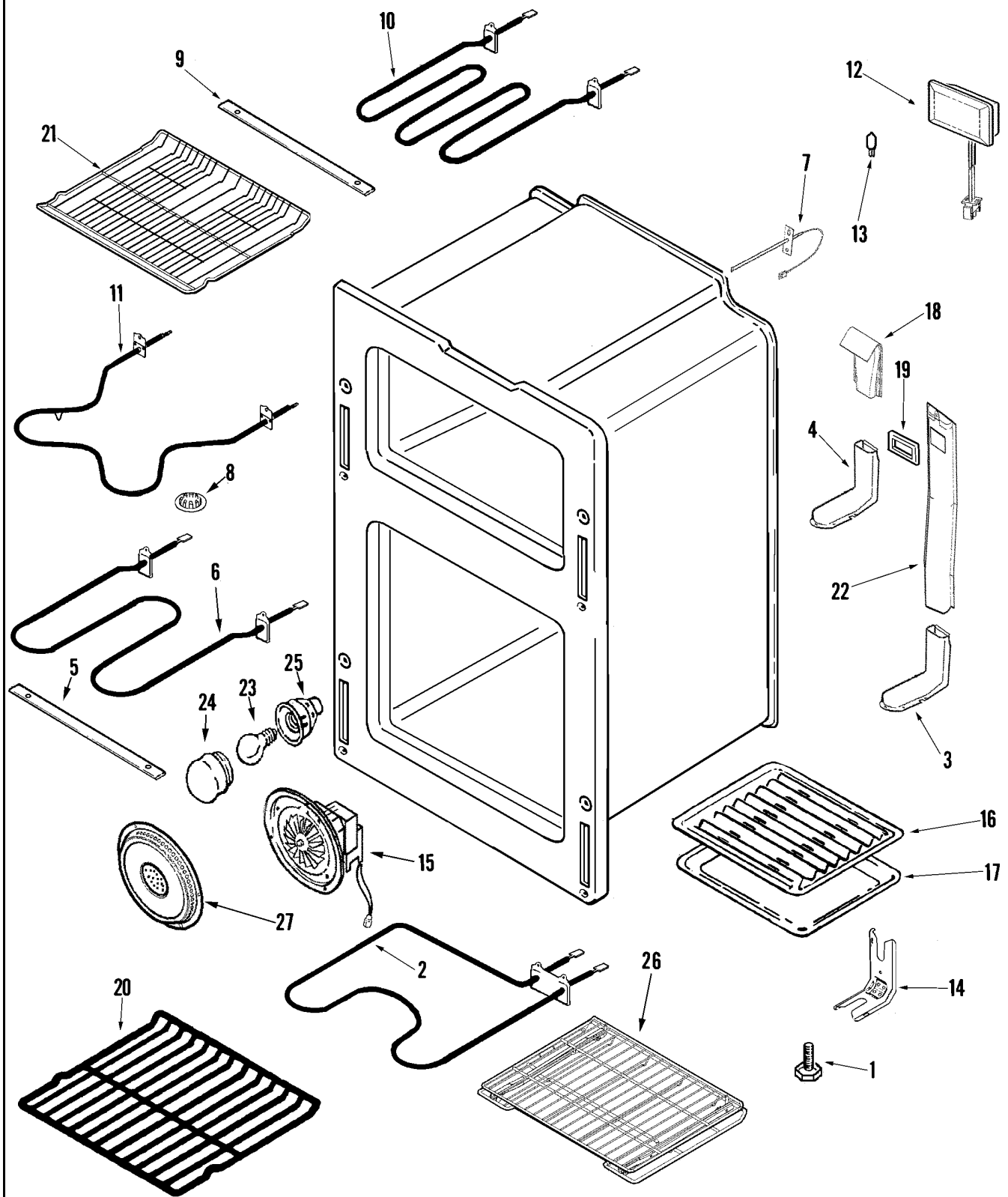
Section: BODY

No.	Part No.	Description	Series	Qty
-	74005500	SUPPORT, OVEN (LWR)	10	2
33	74005499	SUPPORT, OVEN (REAR)	10	2
34	74005498	RETAINER, INSULATION (CONVECT)	10	1
35	74007427	SPACER, SIDE PANEL (LONG)	10	2
36	7402P050-60	CORD, POWER	10	1
37	74009845	RELAY, AUXILIARY (DPDT)	10	1

*Color Code (-)=Not Shown #=Series, Serial Prefix or Run No., N=Not Available

Section: OVEN

Model: MER6875ACW



C12-508

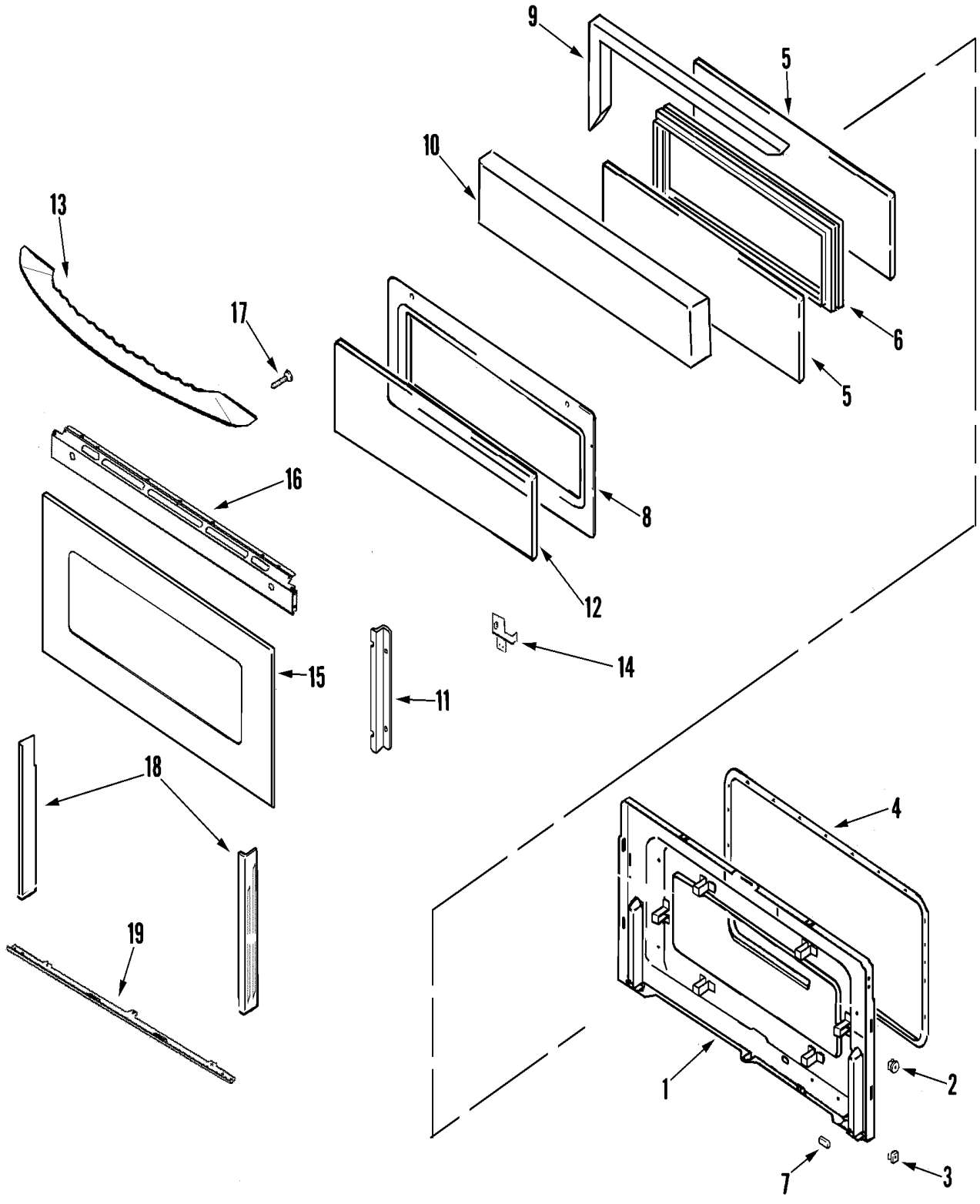
Section: OVEN

No.	Part No.	Description	Series	Qty
1	74002373	LEG, LEVELING	10	4
-	74001530	SCREW (8AB1/2-NI) Note: SCREW, ELEMENT	10	2
-	74007932	INSULATOR, TERMINAL	10	1
2	74004107	ELEMENT, BAKE (LOWER) Note: ELEMENT, BAKE (LWR)	10	1
3	74003394	VENT BOX ASSEMBLY Note: VENT BOX ASSEMBLY (LWR)	10	1
-	74001530	SCREW (8AB1/2-NI)	10	2
4	74004522	BOX, VENT ASSY (UPR) Note: VENT BOX ASSEMBLY (UPR)	10	1
-	74001530	SCREW (8AB1/2-NI)	10	2
5	74003386	SUPPORT, BROIL ELEMENT	10	2
-	7101P345-60	SCREW Note: SCREW, SUPPORT	10	6
6	74003041	ELEMENT, BROIL (4 PASS) Note: ELEMENT, BROIL (4 PASS)(LWR)	10	1
-	74001530	SCREW (8AB1/2-NI) Note: SCREW, ELEMENT	10	2
-	74001530	SCREW (8AB1/2-NI)	10	4
7	74010385	SENSOR, OVEN Note: SENSOR, OVEN (UPR)	10	1
7	74004943	SENSOR, OVEN (LONG) Note: SENSOR, OVEN (LWR)	10	1
8	74004517	PLUG, HOLE	10	1
9	3807F176-19	SUPPORT, BROIL ELEMENT Note: SUPPORT, BROIL ELEMENT (UPR)	10	1
-	74001530	SCREW (8AB1/2-NI) Note: SCREW, ELEMENT	10	4
10	74004106	ELEMENT, BROIL (UPPER) Note: ELEMENT, BROIL (UPR)	10	1
11	74004105	ELEMENT, BAKE (UPPER) Note: ELEMENT, BAKE (UPR)	10	1
-	74001530	SCREW (8AB1/2-NI)	10	2
12	74009970	HALOGEN LAMP ASSY. Note: HALOGEN LAMP ASSY.(UPR)	10	1
13	74009925	BULB, HALOGEN (BI-PIN LOW)	10	1
14	74005564	BRACKET, ANTI-TIP	10	1
-	7101P352-60	SCREW	10	2
15 N	74010062	FAN, CONVECT ASSY.	10	1
16	Y3413F01619	INSERT, BROIL PAN	10	1
16	W10124350	NOT REQUIRED PART OR SEE NOTE Note: NO LONGER SUPPLIED WITH UNIT	14	1
17	Y3401F02019	PAN, BROIL	10	1
17	W10124350	NOT REQUIRED PART OR SEE NOTE Note: NO LONGER SUPPLIED WITH UNIT	14	1
18	74009987	EXTENSION, VENT (ELECT)	10	1
18	74009988	BRACKET, VENT EXTENSION	10	1
-	74001530	SCREW (8AB1/2-NI)	10	2
19	74004533	GASKET, VENT BOX (UPR)	10	1
20	74001757	RACK, OVEN Note: RACK, OVEN (LWR)	10	2
21	74004578	RACK, OVEN (UPR)	10	1
22	74004535	EXTENSION, OVEN VENT ASSEMBLY	10	1
-	74001530	SCREW (8AB1/2-NI)	10	2
23	707319	BULB, OVEN (40 WATT BRASS)	10	1
24	71001867	LENS, BULB	10	1
25	71002427	OVEN LIGHT ASSY. Note: OVEN LIGHT ASSY.(LWR)	10	1
26	74005218	RACK, TELESCOPING ASSY	10	1
27	74005783	COVER, CONVECT	10	1

*Color Code (-)=Not Shown #=Series, Serial Prefix or Run No., N=Not Available

Section: DOOR (UPPER)

Model: MER6875ACW



C11-798

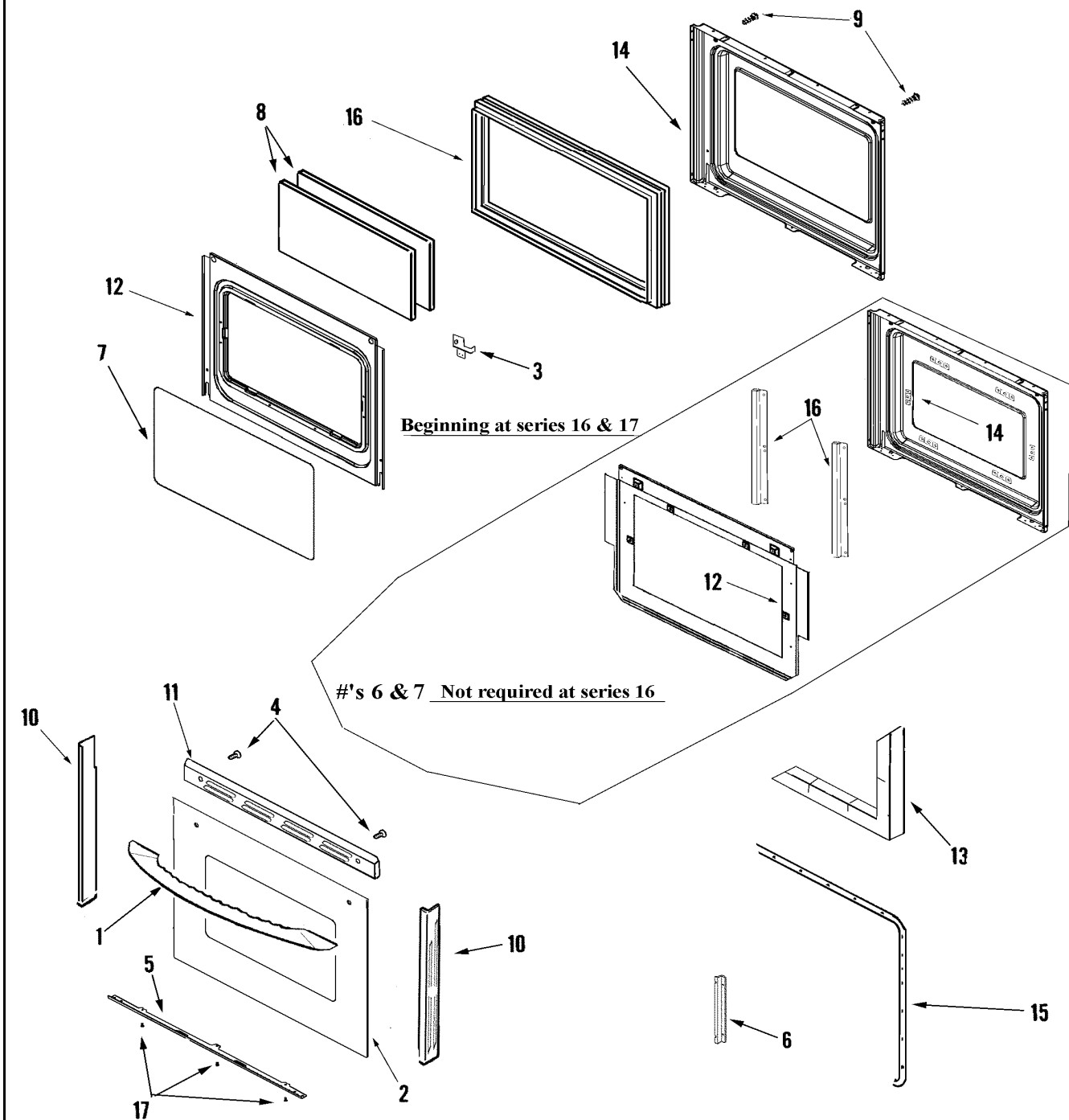
Section: DOOR (UPPER)

No.	Part No.	Description	Series	Qty
1	74004564	LINING, OVEN DOOR	10	1
2	7103P039-60	NUT, SNAP (ROUND-WHT)	10	4
3	74001574	NUT, SNAP (ROUND-BLK) Note: NUT, SNAP (BLK)	10	4
4	74004565	GASKET, OVEN DOOR	10	1
5	74004566	GLASS, DOOR (INNER)	10	2
6	74004567	FRAME, GLASS	10	1
7	74005546	SPACER, RUBBER	10	4
8	74009976	BAFFLE, OVEN DOOR	10	1
-	74001530	SCREW (8AB1/2-NI)	10	2
9	74004569	INSULATION, DOOR (8.5 X 21.5)	10	2
10	74004570	INSULATION, DOOR (3 X 8.7)-SUB	10	2
11	74004592	RETAINER, GLASS SUPPORT	10	2
-	74001530	SCREW (8AB1/2-NI) Note: SCREW, RETAINER	10	4
12	74004571	GLASS, OVEN DOOR	10	1
13	74011768	HANDLE, DOOR (WHT) Note: MUST ORDER 2/74011674 W/HANDLE	19	1
13	74008942	HANDLE, DOOR (WHT)	10	1
14	74009698	BRACKET, DOOR HANDLE (RT)	10	1
-	7101P208-60	SCREW (10ABX1/4P TR ZN)	10	2
14	74009699	BRACKET, DOOR HANDLE (LT)	10	1
-	74005546	SPACER, RUBBER	10	2
-	74001530	SCREW (8AB1/2-NI)	10	2
-	74006777	SCREW 10-32 W/ WASHER	10	2
15	12002455	KIT, DOOR GLASS (WHT)	10	1
16	74009690	TRIM, DOOR TOP (WHT)	10	1
-	74009540	SCREW (WHT) Note: SCREW (1/2"-WHT)	10	2
17	74006777	SCREW 10-32 W/ WASHER Note: SCREW,W/ WASHER (HANDLE)	10	2
17	74011674	SCREW, HANDLE MOUNTING	19	2
18	74009747	TRIM, DOOR (WHT-RT)	10	1
-	74009540	SCREW (WHT)	10	2
-	74009014	TAPE, DBL SIDED (WHT)	10	4
18	74009748	TRIM, DOOR (WHT-LT)	10	1
-	74001530	SCREW (8AB1/2-NI)	10	5
19	74009687	SUPPORT, GLASS (WHT)	10	1

*Color Code (-)=Not Shown #=Series, Serial Prefix or Run No., N=Not Available

Section: DOOR (LOWER)

Model: MER6875ACW



C11-903

Section: DOOR (LOWER)

No.	Part No.	Description	Series	Qty
1	74011768	HANDLE, DOOR (WHT) Note: MUST ORDER 2/74011674 W/HANDLE	19	1
1	74008942	HANDLE, DOOR (WHT)	10	1
2	12002396	KIT, DOOR GLASS (WHT)	10	1
3	74009698	BRACKET, DOOR HANDLE (RT)	10	1
3	74009699	BRACKET, DOOR HANDLE (LT)	10	1
-	74001530	SCREW (8AB1/2-NI)	10	2
-	7101P208-60	SCREW (10ABX1/4P TR ZN)	10	2
-	74005546	SPACER, RUBBER	10	2
4	74006777	SCREW 10-32 W/ WASHER	10	2
4	74011674	SCREW, HANDLE MOUNTING	19	2
5	74009687	SUPPORT, GLASS (WHT)	10	1
-	W10124350	NOT REQUIRED PART OR SEE NOTE	18	2
-	W10124350	NOT REQUIRED PART OR SEE NOTE	17	0
6	74003650	RETAINER, GLASS	10	2
-	W10124350	NOT REQUIRED PART OR SEE NOTE	18	1
-	W10124350	NOT REQUIRED PART OR SEE NOTE	17	0
7	74003649	GLASS, DOOR	10	1
8	74003645	GLASS, INNER	10	2
9	74001530	SCREW (8AB1/2-NI) Note: SCREW, RETAINER	10	4
10	74009695	TRIM, DOOR (WHT-LT)	10	1
-	74009540	SCREW (WHT)	10	2
10	74009694	TRIM, DOOR (WHT-RT)	10	1
-	74003664	TAPE, FOIL 29" X 2"	18	1
11	74009690	TRIM, DOOR TOP (WHT)	10	1
-	74009540	SCREW (WHT)	10	2
12	74009502	BAFFLE, OVEN DOOR	10	1
12	74011457	BAFFLE, OVEN DOOR	18	1
-	7101P356-60	SCREW Note: SCREW, BAFFLE	10	2
13	74003647	INSULATION, OVEN DOOR	10	2
-	74001574	NUT, SNAP (ROUND-BLK)	10	2
14	74011456	LINING, DOOR	18	1
-	74001530	SCREW (8AB1/2-NI)	18	6
14	74003642	LINING, DOOR	10	1
-	7103P039-60	NUT, SNAP (ROUND-WHT)	10	2
15	7201P046-60	GASKET, DOOR	10	1
16	74003644	FRAME, GLASS	10	1
-	74001530	SCREW (8AB1/2-NI)	10	4
16	74011458	BRACKET, INNER GLASS	18	2
-	74002979	SCREW, 8 X 1/2	18	6

*Color Code (-)=Not Shown #=Series, Serial Prefix or Run No., N=Not Available

Section: SUPPLEMENTAL INFORMATION

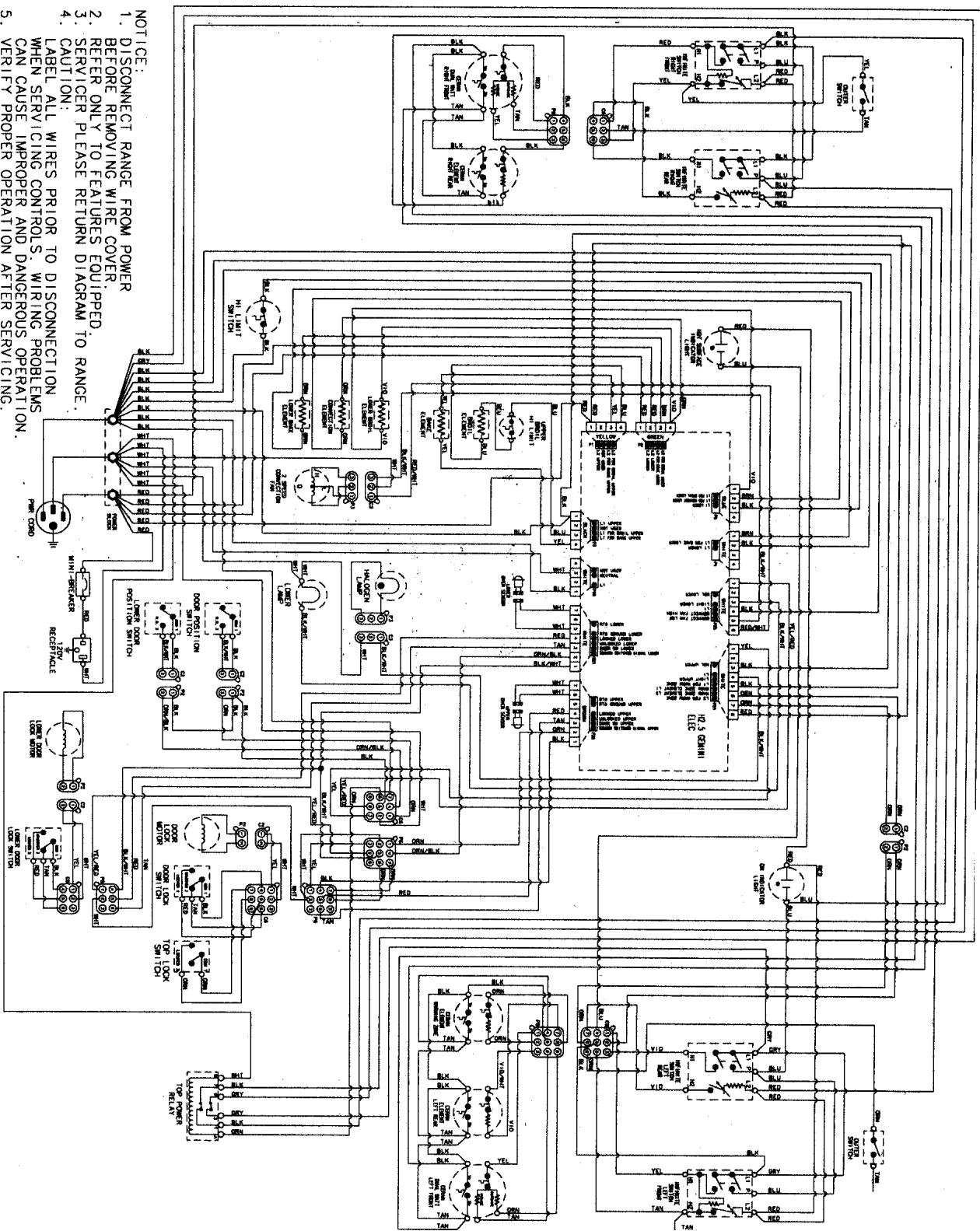
No.	Part No.	Description	Series	Qty
-	74010224	MINI-MANUAL (ELEC-H2)	10	1
-	8113P571-60	MANUAL, USE & CARE	17	1
-	8113P443-60	MANUAL, USE & CARE	10	1
-	74009330	BOOKLET, COOKING MADE SIMPLE	10	1
-	74008935	HARNESS, SWITCH/TOP (RT)	10	1
-	74010391	HARNESS, MAIN	10	1
-	74010759	HARNESS, MAIN	11	1
-	74009975	HARNESS, DOOR POSITION	10	2
-	74010050	HARNESS, TOP (5 BURNER)	10	1
-	74009965	HARNESS, SIDE MOUNT LOCK	10	1
-	74010061	HARNESS, SWITCH/TOP (LT)	10	1
-	74010402	HARNESS, SENSOR	10	1
-	74010393	HARNESS, DOOR LOCK	10	1
-	20000001	COOKTOP CLEANING CREME	10	1
-	74007585	RAZOR, SCRAPER	10	1
-	UXA4905ADX	KIT, HALF RACK SALES (4.0)	10	1
-	16026151	TECH SHT, RPL 16023505 ELRAN	10	1
-	12500100	KIT, BROILER PAN/INSERT--W Note: KIT, BROILER PAN/INSERT ACCESSORY ONLY	14	1
		AVAILABLE AS AN		

*Color Code (-)=Not Shown #=Series, Serial Prefix or Run No., N=Not Available

Section: WIRING INFORMATION

Model: MER6875ACW

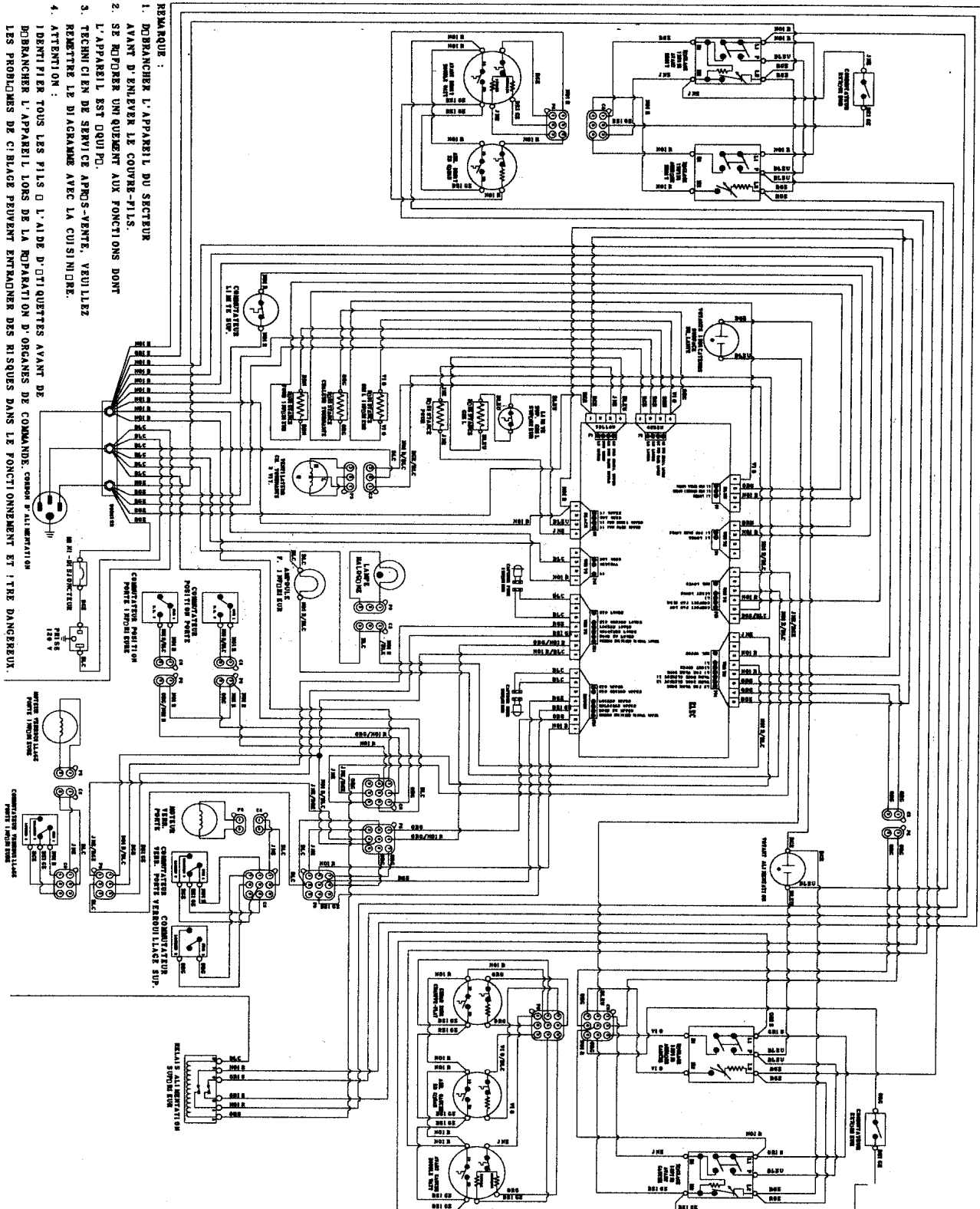
- NOTICE:
1. DISCONNECT RANGE FROM POWER BEFORE REMOVING WIRE COVER.
2. REFER ONLY TO FEATURES EQUIPPED.
3. SERVICER PLEASE RETURN DIAGRAM TO RANGE.
4. CAUTION:
LABEL ALL WIRES PRIOR TO DISCONNECTION WHEN SERVICING CONTROLS. WIRING PROBLEMS CAN CAUSE IMPROPER AND DANGEROUS OPERATION.
5. VERIFY PROPER OPERATION AFTER SERVICING.



Section: WIRING INFORMATION

Model: MER6875ACW

- REMARQUE :
1. DÉRANCHER L'APPAREIL DU SECTEUR AVANT D'ENLEVER LE COUVERCLES.
 2. SE RAPPORTEZ UNQUEMENT AUX FONCTIONS DONT L'APPAREIL EST DOTÉ.
 3. TECHNICIEN DE SERVICE APRÈS-VENTE, VEUILLEZ RÉVISITER LE DIAGRAMME AVEC LA CUSINE.
 4. ATTENTION :
IDENTIFIER TOUS LES FILS À L'AIDE D'ÉTIQUETTES AVANT DE DÉRANCHER L'APPAREIL LORS DE LA RÉPARATION D'ORGANES DE COMMANDE. CONSULTER LES MANUELS D'INFORMATION DES PROBLÈMES DE CÂBLAGE PEUVENT ÉVITER DES RISQUES DANS LE FONCTIONNEMENT ET ÊTRE DANGEREUX.
 5. VÉRIFIER LE BON FONCTIONNEMENT DE L'APPAREIL UNE FOIS LA RÉPARATION EFFECTUÉE.

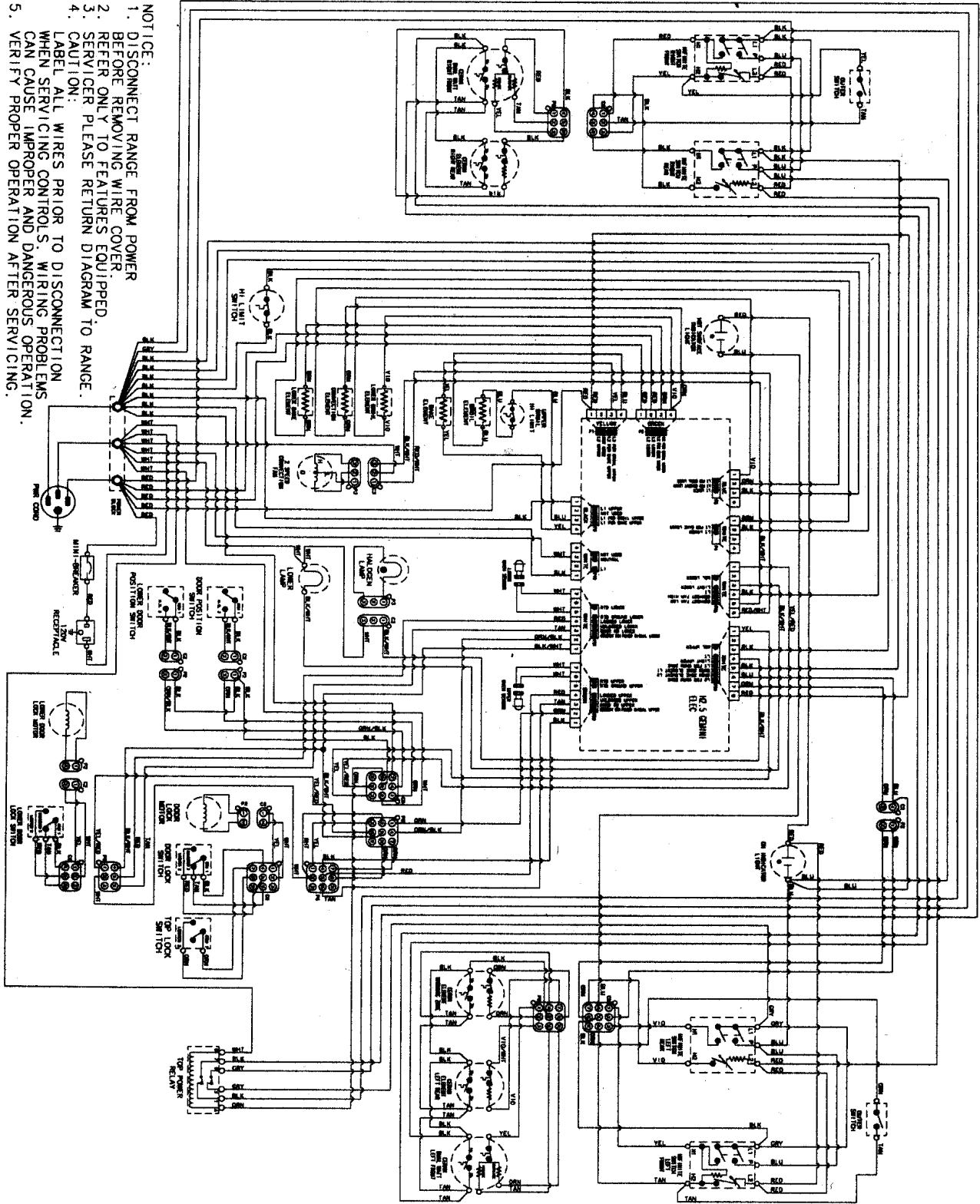


15003626

Section: WIRING INFORMATION (SERIES 11)

Model: MER6875ACW

- NOTICE:
1. DISCONNECT RANGE FROM POWER BEFORE REMOVING WIRE COVER.
 2. REFER ONLY TO FEATURES EQUIPPED.
 3. SERVICER PLEASE RETURN DIAGRAM TO RANGE.
 4. CAUTION:
 5. LABEL ALL WIRES PRIOR TO DISCONNECTION WHEN SERVICING CONTROLS. WIRING PROBLEMS CAN CAUSE IMPROPER AND DANGEROUS OPERATION.
 6. VERIFY PROPER OPERATION AFTER SERVICING.



15003685

Section: WIRING INFORMATION (SERIES 11)

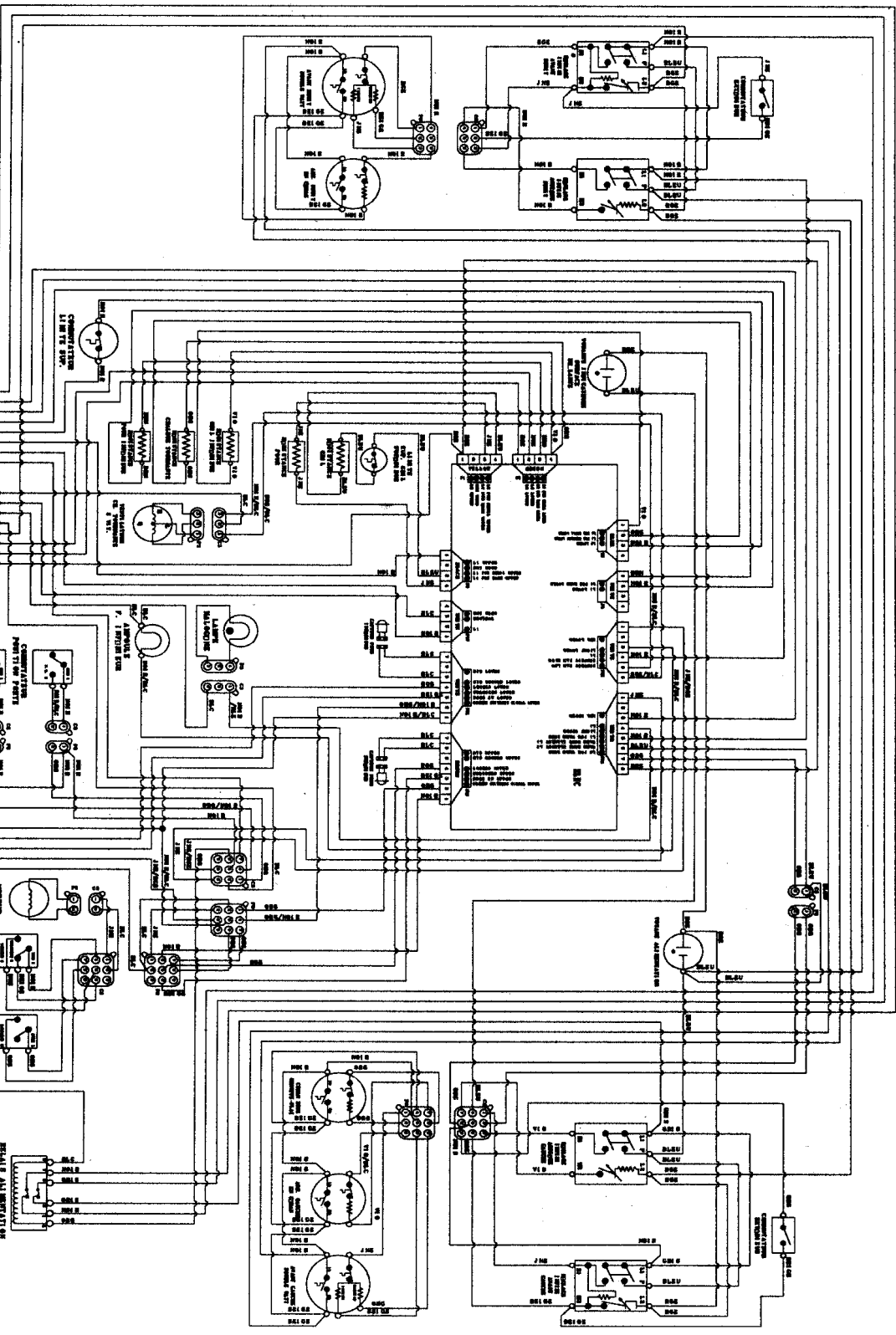
No.	Part No.	Description	Series Qty
-	N 15003685	WIRING INFORMATION	11 1

*Color Code (-)=Not Shown #=Series, Serial Prefix or Run No., N=Not Available

Section: WIRING INFORMATION (FRC) (SERIES 11)

Model: MER6875ACW

- REMARQUE :
1. REBRANCHER L'APPAREIL DU SECTEUR AVANT D'ENLEVER LE COUVER-PLIS.
 2. SE RENDRE UNIQUEMENT AUX FONCTIONS DONT L'APPAREIL EST DOTÉ.
 3. TECHNICIEN DE SERVICE APRÈS-VENTE, VEUILLEZ REMETTRE LE DIAGRAMME AVEC LA CUISINIÈRE.
 4. ATTENTION : IDENTIFIER TOUTS LES FILS D'AIDE D'OTIQUETTES AVANT DE DEBRANCHER L'APPAREIL, LORS DE LA RÉPARATION D'ORGANES DE COMMANDE, COMME D'ALIMENTATION.
 5. VÉRIFIER LE BON FONCTIONNEMENT DE L'APPAREIL UNE FOIS LA RÉPARATION EFFECTUÉE.



15003686

Section: WIRING INFORMATION (FRC) (SERIES 11)

No.	Part No.	Description	Series Qty
-	N 15003686	WIRING INFORMATION (FRC)	11 1

*Color Code (-)=Not Shown #=Series, Serial Prefix or Run No., N=Not Available

