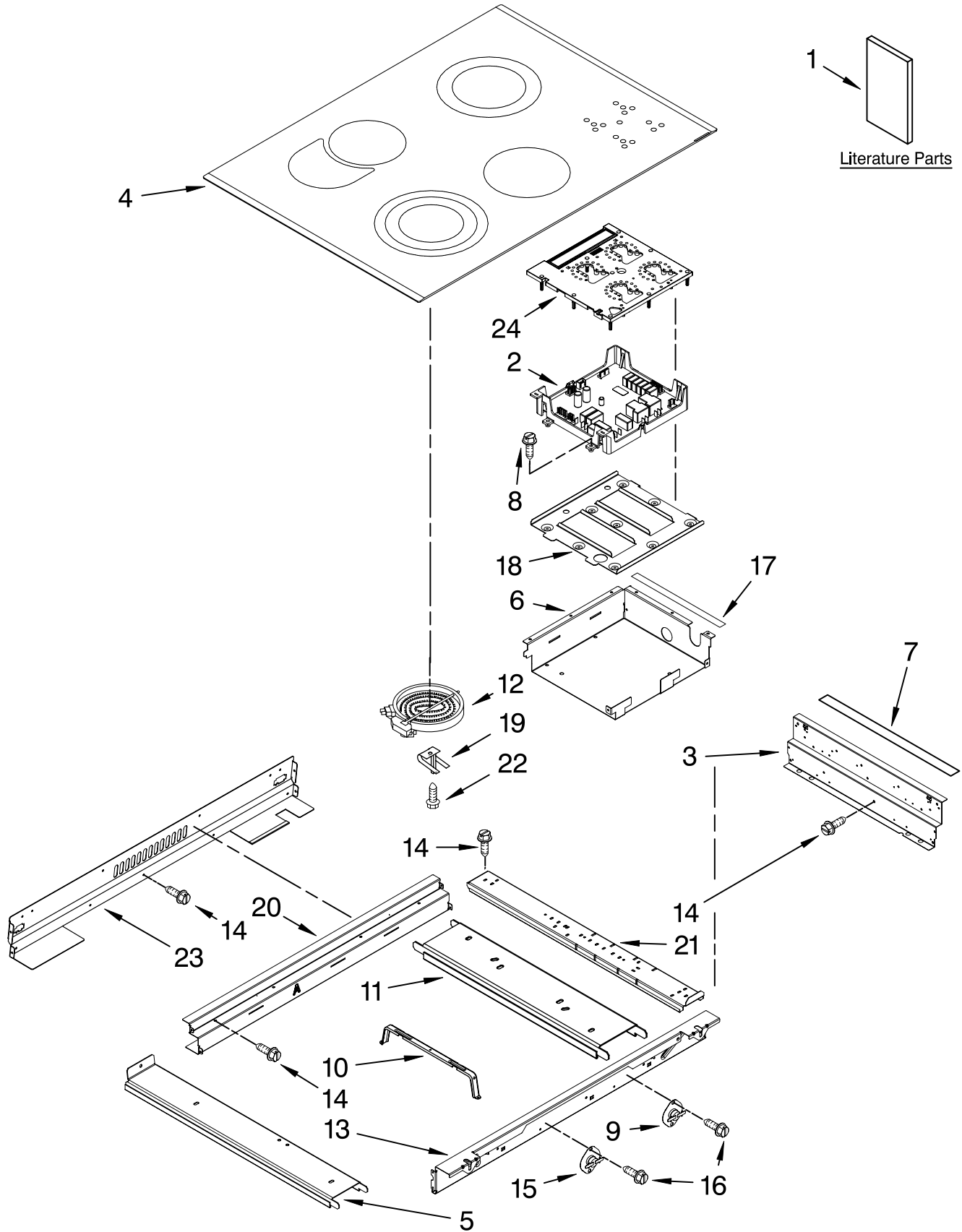


COOKTOP PARTS

For Models: YKES908SS01

(Stainless)

30" SLIDE-IN
ELECTRIC OVEN
SELF CLEAN



FOR ORDERING INFORMATION REFER TO PARTS PRICE LIST

COOKTOP PARTS

For Models: YKES908SS01

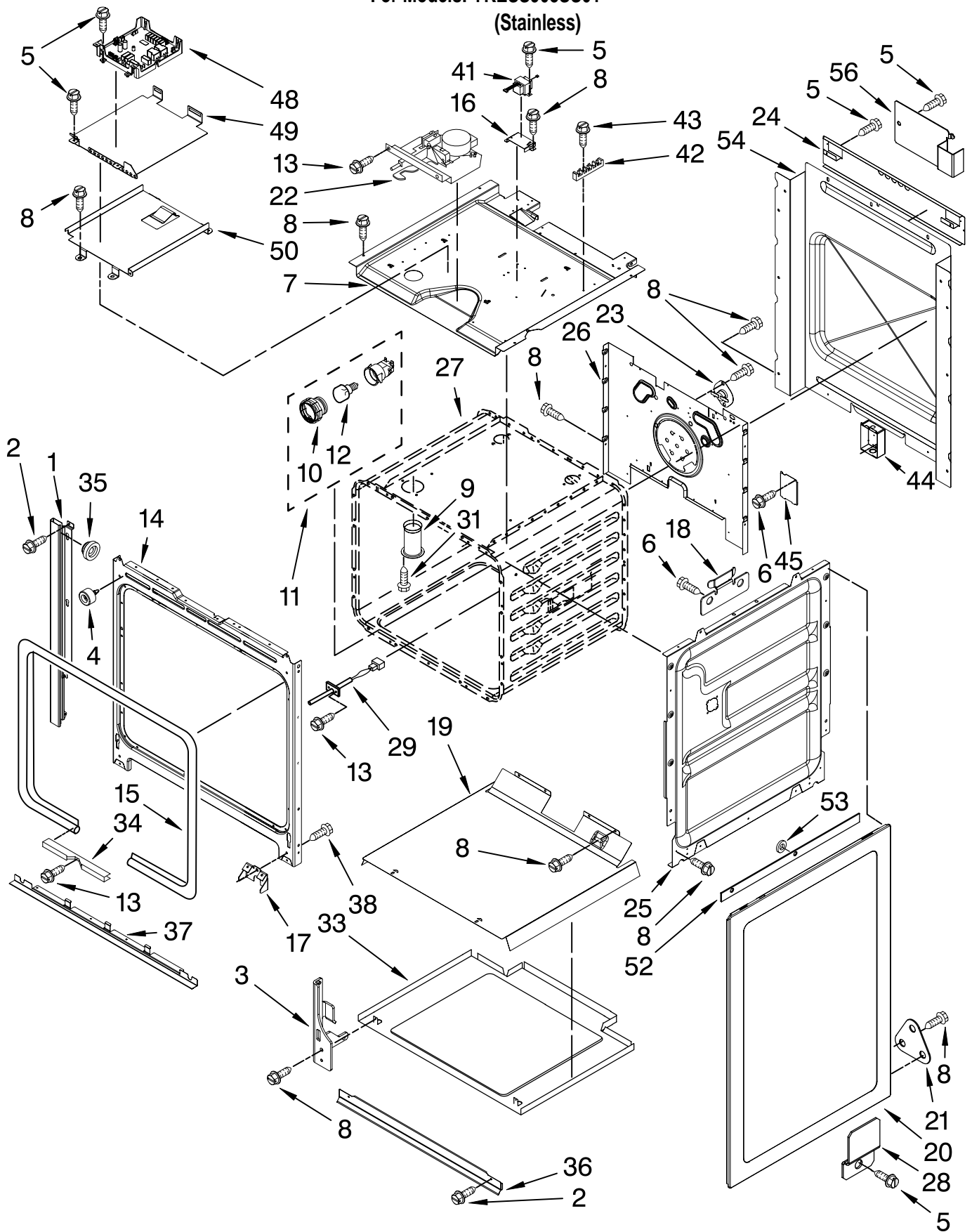
(Stainless)

| Illus. No. | Part No. | DESCRIPTION |
|-------------------|-----------------|--|
| 1 | | Literature Parts |
| | W10118260 | Installation Instructions Use & Care Guide |
| | W10118258 | English |
| | W10118259 | French Tech Sheet |
| | W10112131 | English |
| | W10112134 | French |
| | 9763467 | Easy Set Guide |
| | 9757680 | Anti-Tip Instructions Safe Cooking Tips |
| | 3191638 | English |
| | 9759133 | French |
| 2 | 8285348 | Module, Appliance Manager |
| 3 | 9761422 | Frame, Cooktop Side |
| 4 | W10110273 | Cooktop |
| 5 | 9757824 | Rail, Element Side |
| 6 | 9761638 | Box, Tap Touch |
| 7 | W10076030 | Gasket (2) |
| 8 | 4449745 | Screw |
| 9 | 9759944 | Thermostat |
| 10 | 9756821 | Support, Wiring |
| 11 | 9757825 | Rail, Element Center (1) |
| 12 | | Element, Surface |
| | 8285232 | LR/1000W |
| | 4453907 | RF/1500W |
| | 4453910 | RR/1900W |
| | 4453908 | LF/2300W |
| 13 | 9761423 | Frame, Cooktop Front |
| 14 | 3196537 | Screw |
| 15 | 341196 | Thermostat |
| 16 | 3196160 | Screw |
| 17 | 9761663 | Seal, Heat |
| 18 | 9757815 | Support, Module |
| 19 | 9759094 | Spring, Locator |
| 20 | 9761768 | Frame, Cooktop Rear |
| 21 | 9763517 | Rail, Element (2) |
| 22 | 246119 | Screw |
| 23 | 9761723 | Cover, Cooktop Rear |
| 24 | 9757063 | Module, Tap Touch |

FOR ORDERING INFORMATION REFER TO PARTS PRICE LIST

OVEN PARTS

For Models: YKES908SS01
(Stainless)



FOR ORDERING INFORMATION REFER TO PARTS PRICE LIST

OVEN PARTS

For Models: YKESS908SS01
(Stainless)

| Illus. No. | Part No. | DESCRIPTION |
|------------|-----------|----------------------|
| 1 | | Trim, Side |
| | W10140548 | Right |
| | W10140547 | Left |
| 2 | 3400832 | Screw |
| 3 | | Hinge Receiver |
| | 4455606 | Right |
| | 4455605 | Left |
| 4 | W10105790 | Bumper, Door (2) |
| 5 | 3196537 | Screw |
| 6 | 3196160 | Screw |
| 7 | 8303099 | Top Chassis |
| 8 | 4449809 | Screw |
| 9 | 4452158 | Tube, Vent |
| 10 | W10067870 | Lens, Light |
| 11 | W10009930 | Oven Light, Assembly |
| 12 | 4452166 | Bulb, Light |
| 13 | 4449154 | Screw |
| 14 | W10130368 | Frame, Front |
| 15 | W10074200 | Gasket, Door |
| 16 | 9757829 | Bracket, Transformer |
| 17 | 4452152 | Bracket, Mounting |

| Illus. No. | Part No. | DESCRIPTION |
|------------|-----------|-------------------------------|
| 18 | 9757685 | Guide, Side Panel |
| 19 | 4451478 | Support, Insulation |
| 20 | 9760723PB | Body, Side |
| 21 | 9757461 | Bracket, Side Panel |
| 22 | 9760888 | Latch, Motorized |
| 23 | 9759242 | Thermostat |
| 24 | 9757811 | Brace, Side Panel |
| 25 | 4455641 | Side, Chassis |
| 26 | 9759761 | Back, Chassis |
| 27 | | Liner, Oven (Not Serviceable) |
| 28 | 9759890 | Clip, Side Panel |
| 29 | W10131825 | Sensor |
| 31 | 3196176 | Screw |
| 33 | 9759713 | Base, Chassis |
| 34 | 4448933 | Retainer, Gasket |
| 35 | 4448444 | Grommet, Mounting Rail |
| 36 | W10140533 | Vent, Bottom Upper |
| 37 | W10140546 | Vent, Bottom Lower |
| 38 | 4449743 | Screw |
| 41 | W10111628 | Transformer, Control |

| Illus. No. | Part No. | DESCRIPTION |
|------------|-----------|----------------------------|
| 42 | 4449868 | Block, Terminal |
| 43 | 3400080 | Screw |
| 44 | 9759987 | Box, Terminal |
| 45 | 9759876 | Cover, Terminal Box |
| 48 | 9761801 | Appliance, Manager |
| 49 | W10083460 | Slide, GOC |
| 50 | 9756454 | Bracket, Appliance Manager |
| 52 | 9759722 | Insulation, Body Side |
| 53 | 9760481 | Washer |
| 54 | 9758583 | Cover, Back |
| 56 | 9759945 | Standoff, Rear |

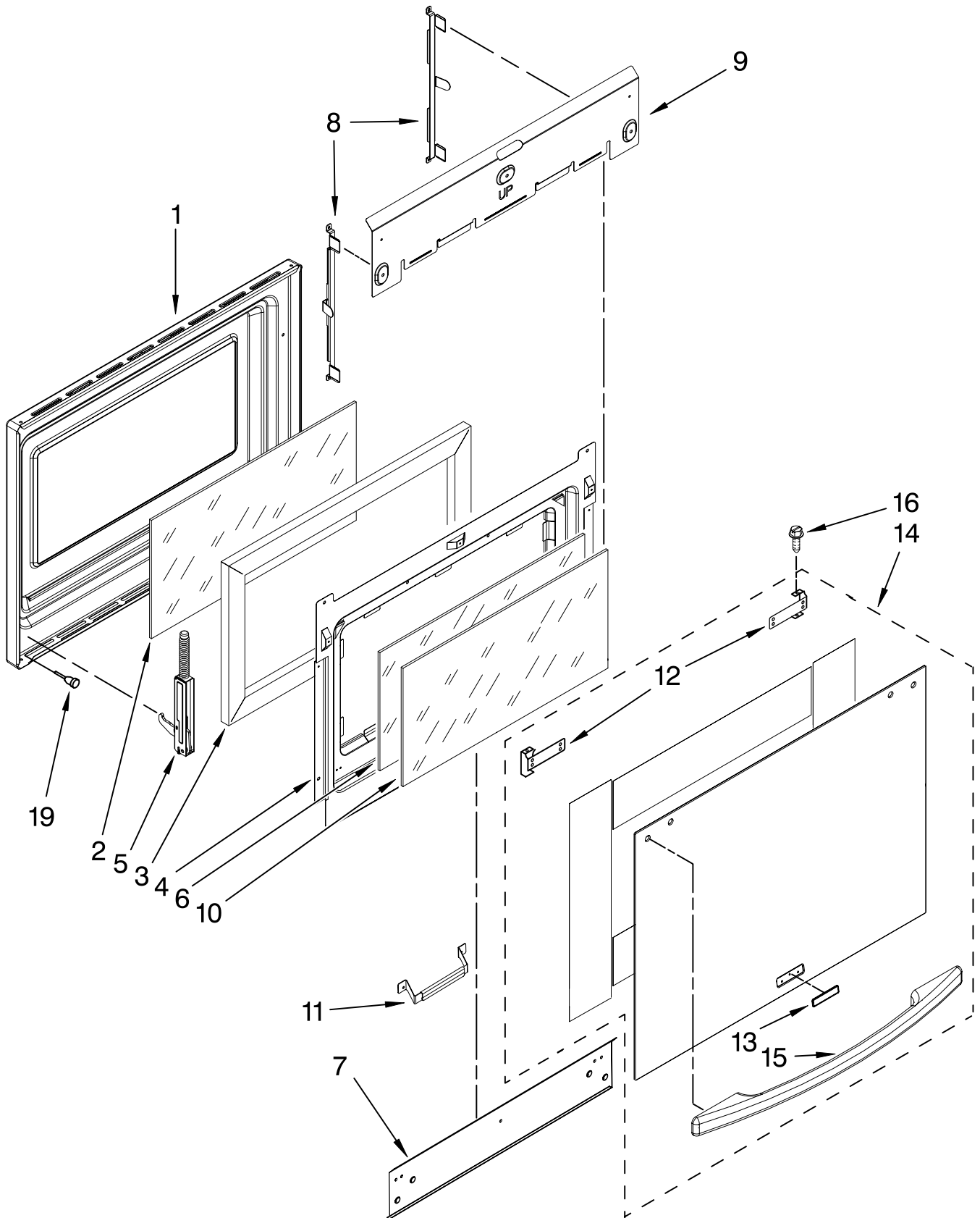
**FOLLOWING PARTS
NOT ILLUSTRATED**

INSULATION

- 9756817 Insulation, Wrap
- 9756470 Insulation, Back

DOOR PARTS

For Models: YKES908SS01
(Stainless)



FOR ORDERING INFORMATION REFER TO PARTS PRICE LIST

DOOR PARTS

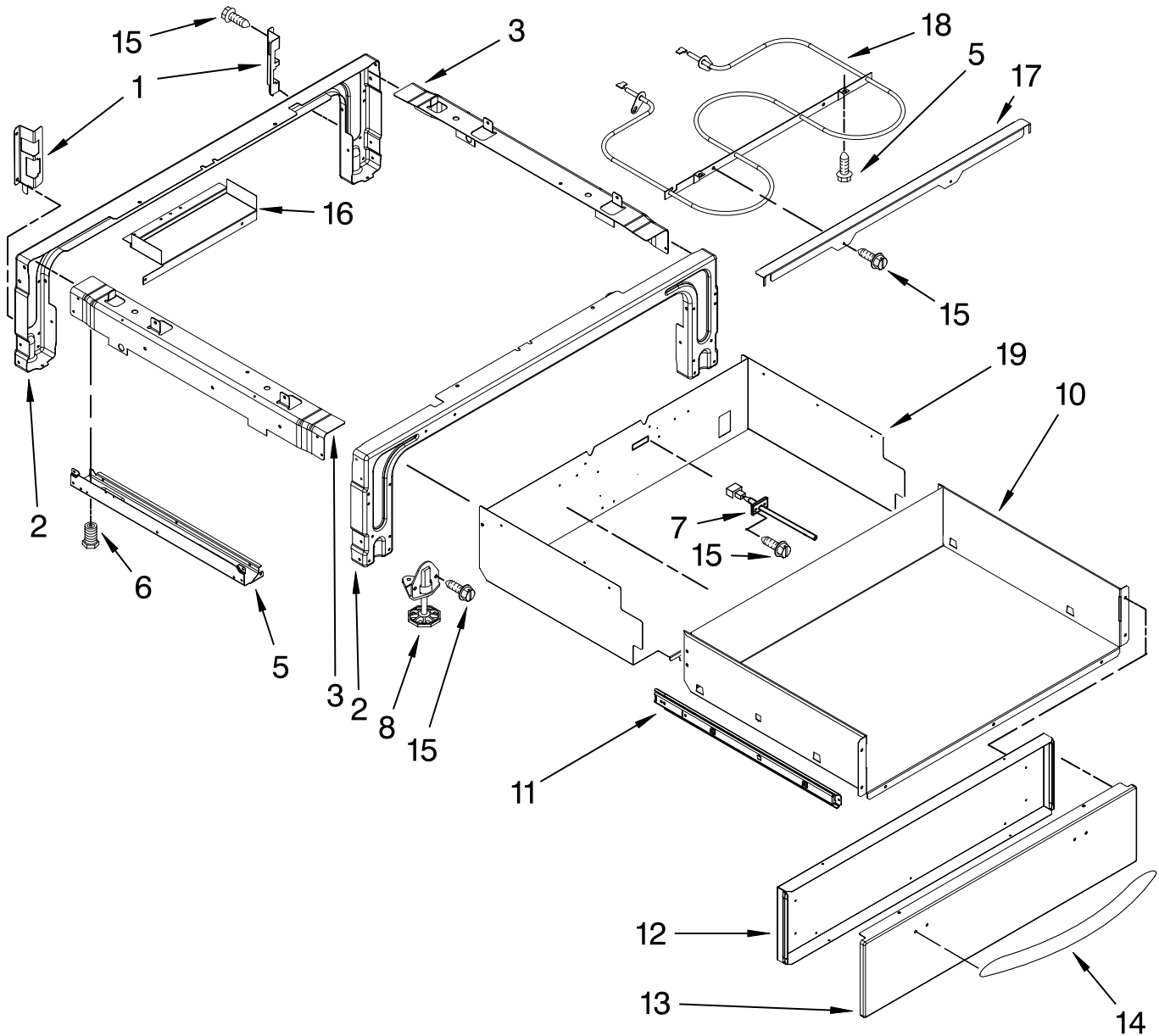
For Models: YKES908SS01
(Stainless)

| Illus. No. | Part No. | DESCRIPTION |
|---------------|-------------|------------------------|
| 1 | 9759413 | Panel, Door |
| 2 | 9757706 | Glass, Inner |
| 3 | 4451722 | Insulation, Door |
| 4 | 4457132 | Retainer, Glass |
| 5 | | Hinge, Oven Door |
| | 9760579 | Right |
| | 9760580 | Left |
| 6 | 9759225 | Glass, Inner |
| 7 | 4457114 | Shield, Heat Bottom |
| 8 | 9759229 | Bracket, Glass Side |
| 9 | 4457103 | Shield, Heat Top |
| 10 | 9759225 | Glass, Inner Door |
| 11 | 9759230 | Bracket, Central |
| 12 | | Bracket, Handle |
| | 9763497 | Right |
| | 9763496 | Left |
| 13 | 8304603SS | Badge |
| 14 | W10155557 | Assembly, Door Kit |
| 15 | 8303774SS | Handle, Door |
| 16 | 3196184 | Screw |
| 19 | 4448520 | Bumper, Door |

DRAWER PARTS

For Models: YKES908SS01

(Stainless)



| Illus. No. | Part No. | DESCRIPTION |
|------------|-----------|-----------------------|
| 1 | | Support, Drawer Rail |
| | 9757687 | Right |
| | 9757686 | Left |
| 2 | 9763501BL | Support, Front & Rear |
| 3 | | Brace, Drawer |
| | 4453720 | Right |
| | 4453721 | Left |

| Illus. No. | Part No. | DESCRIPTION |
|------------|-----------|---------------|
| 5 | | Side, Base |
| | 9759953 | Right |
| | 9759954 | Left |
| 6 | W10058460 | Foot |
| 7 | 8274149 | Thermistor |
| 8 | 3196037 | Foot Assembly |
| 10 | W10144430 | Drawer |
| 11 | | Drawer Slide |
| | W10019810 | Right |
| | W10019800 | Left |

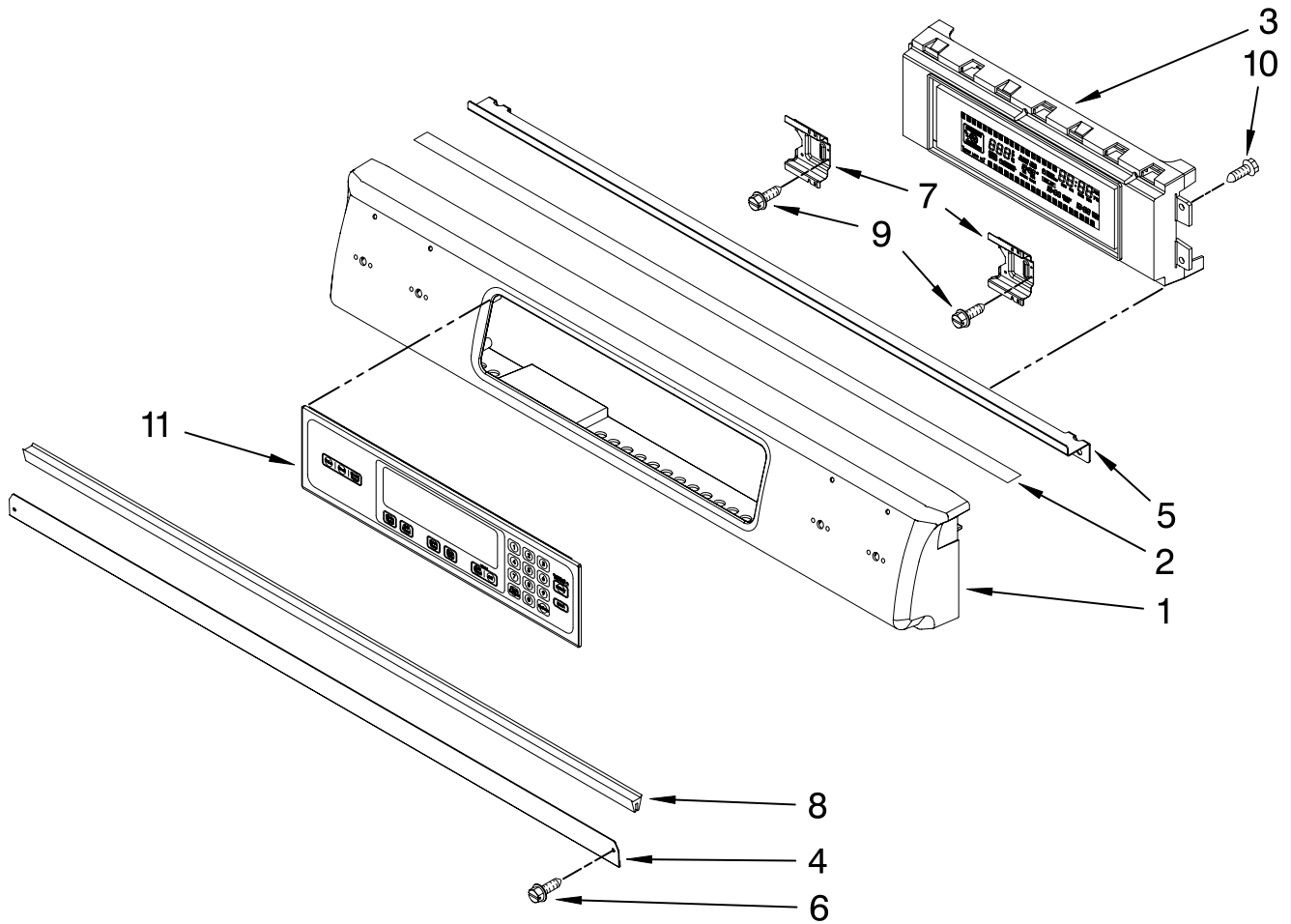
| Illus. No. | Part No. | DESCRIPTION |
|------------|-----------|---------------------------|
| 12 | W10144431 | Panel, Drawer |
| 13 | 9761747SS | Front, Drawer |
| 14 | 9761573SS | Handle, Drawer |
| 15 | 3196537 | Screw |
| 16 | W10153100 | Cover, Terminal |
| 17 | 9758676 | Support, Element |
| 18 | | Element, Warming |
| | 9760775 | Drawer |
| 19 | 9763518 | Enclosure, Warming Drawer |

FOR ORDERING INFORMATION REFER TO PARTS PRICE LIST

CONTROL PANEL PARTS

For Models: YKES908SS01

(Stainless)



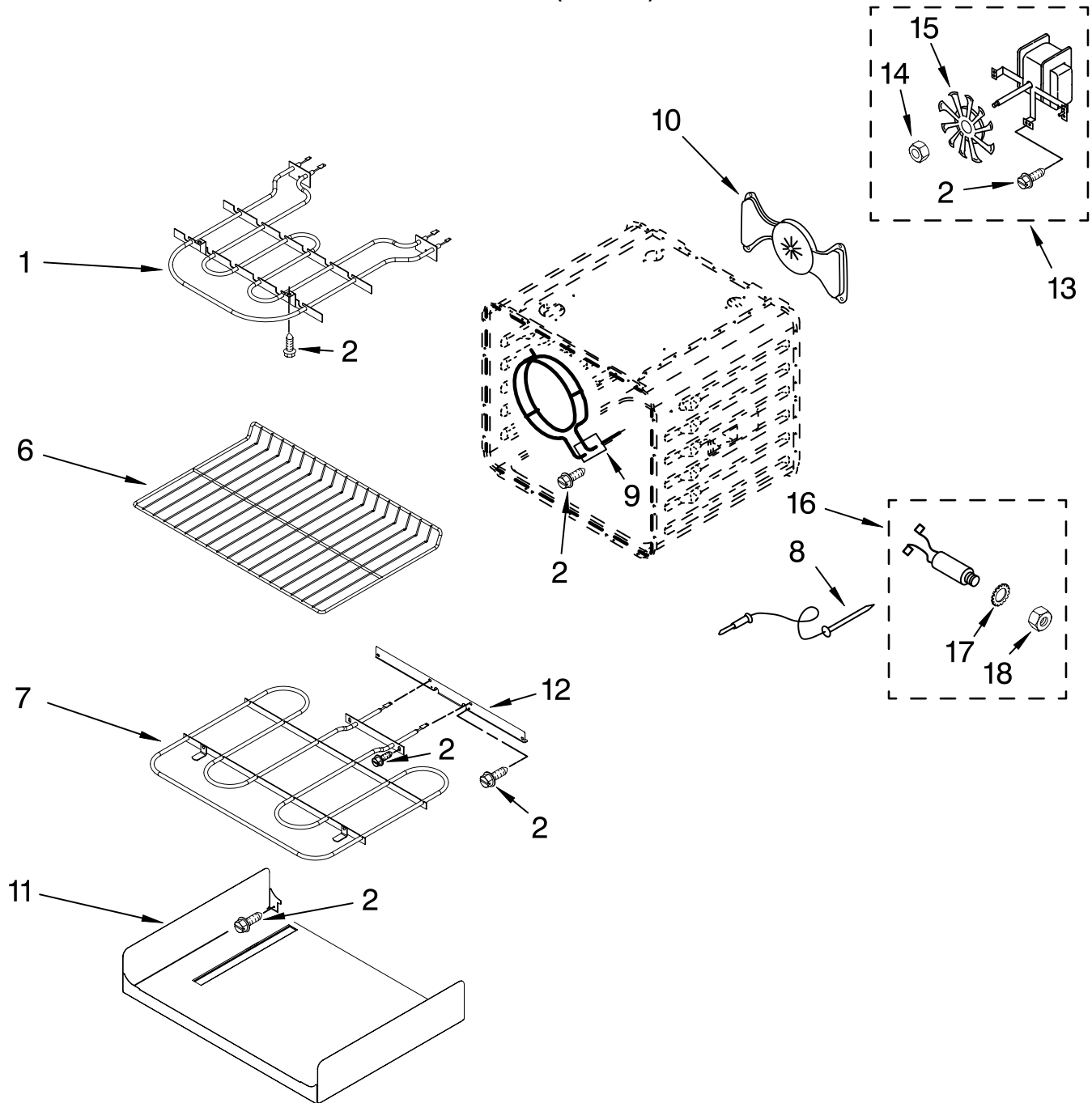
| Illus. No. | Part No. | DESCRIPTION |
|------------|-----------|-------------------------|
| 1 | W10156272 | Control Panel |
| 2 | W10110246 | Gasket, Console |
| 3 | 9761799 | Control, Electric |
| 4 | W10105370 | Shield, Console Vent |
| 5 | W10117524 | Bracket, Console |
| 6 | 3196160 | Screw |
| 7 | 9761745 | Bracket, Thermostat (2) |
| 8 | W10116195 | Gasket, Vent Shield |
| 9 | 3196537 | Screw |
| 10 | 9780271 | Screw |
| 11 | 9761566 | Membrane, Switch |

FOR ORDERING INFORMATION REFER TO PARTS PRICE LIST

INTERNAL OVEN PARTS

For Models: YKES908SS01

(Stainless)



| Illus. No. | Part No. | DESCRIPTION |
|------------|----------|----------------|
| 1 | 9760774 | Element, Broil |
| 2 | 4449154 | Screw |
| 6 | 4448717 | Rack, Oven |
| 7 | 9760768 | Element, Bake |
| 8 | 9755542 | Probe, Meat |

| Illus. No. | Part No. | DESCRIPTION |
|------------|----------|---------------------|
| 9 | 9760769 | Element, Convection |
| 10 | 9756690 | Cover, Fan |
| 11 | 4455037 | Tray, Hidden Bake |
| 12 | 4450039 | Cover, Bake Tray |
| 13 | 4451583 | Motor, Convection |

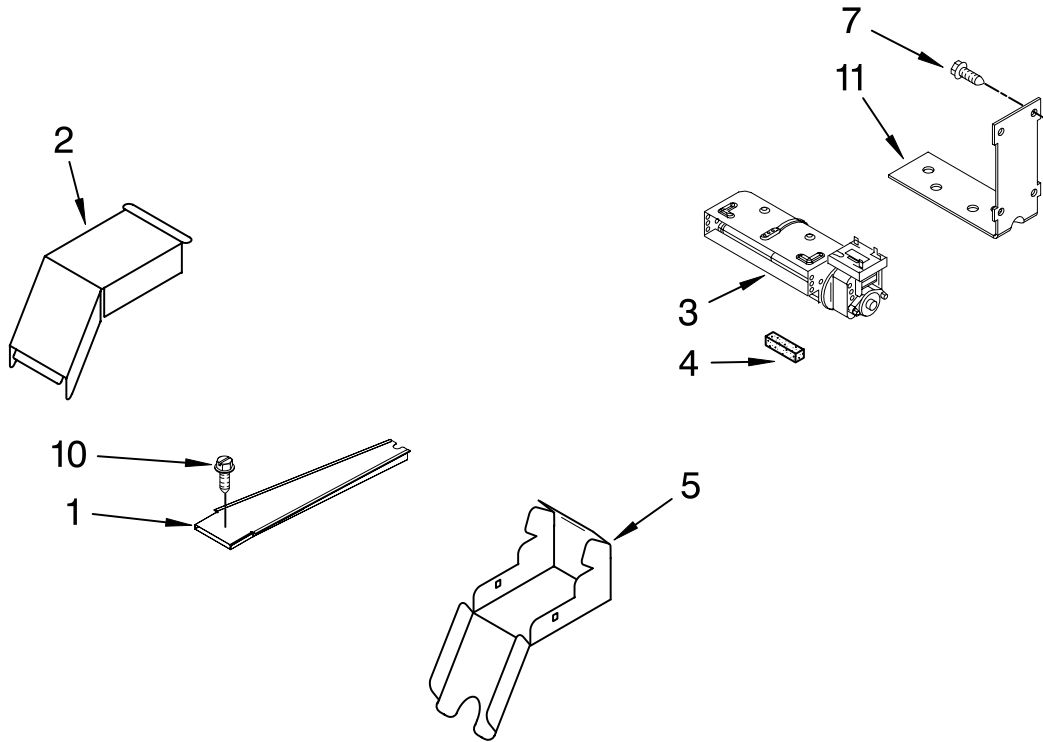
| Illus. No. | Part No. | DESCRIPTION |
|------------|----------|------------------|
| 14 | 4452227 | Nut |
| 15 | 4452226 | Blade, Fan |
| 16 | 9755543 | Jack, Meat Probe |
| 17 | 9755547 | Lock Washer |
| 18 | 9755546 | Hex Nut |

FOR ORDERING INFORMATION REFER TO PARTS PRICE LIST

TOP VENTING PARTS

For Models: YKES908SS01

(Stainless)



| Illus. No. | Part No. | DESCRIPTION |
|------------|----------|--------------------|
| 1 | 4451759 | Vent, Exhaust |
| 2 | 4455178 | Elbow, Vent Top |
| 3 | 9759320 | Blower |
| 4 | 4451758 | Block, Foam |
| 5 | 4455177 | Elbow, Vent Bottom |
| 7 | 4449809 | Screw (2) |
| 10 | 4449040 | Screw |
| 11 | 4455352 | Bracket, Blower |

FOR ORDERING INFORMATION REFER TO PARTS PRICE LIST

OPTIONAL PARTS (NOT INCLUDED)

For Models: YKES908SS01

(Stainless)

| Illus. No. | Part No. | DESCRIPTION | Illus. No. | Part No. | DESCRIPTION | Illus. No. | Part No. | DESCRIPTION |
|--|----------|----------------------------|--|----------|----------------------------|------------------------------------|-----------------------------|---------------------------|
| <u>PAINT, TOUCH-UP (1/2oz.)</u> | | | <u>SPLICING WIRES--25FT. LENGTH</u> | | | <u>WIRING HARNESS PARTS</u> | | |
| | 72017 | White | | 242828 | Wire (12 Ga. 150 c Black) | | W10118728 | Harness, Main |
| | 261869 | Cord Brown | | 242820 | Wire (14 Ga. 150 c Black) | | 9761059 | Power Cord |
| | 72032 | Black | | 242821 | Wire (14 Ga. 150 c Blue) | | 8285319 | Cable, Board Connection |
| <u>PAINT, SPRAY</u> | | | | 242822 | Wire (14 Ga. 150 c Brown) | | W10118725 | Harness, Switch |
| | 350930 | White | | 242830 | Wire (14 Ga. 200 c Brown) | | 9762921 | Harness, Communication |
| | 261900 | Citrine White | | 242823 | Wire (14 Ga. 150 c Green) | | 9759877 | Retainer, Strain Relief |
| | 830864 | Black | | 242824 | Wire (14 Ga. 150 c Orange) | | 4452222 | Spacer, Harness |
| <u>ADHESIVE</u> | | | | 242825 | Wire (14 Ga. 150 c Red) | | 9763481 | Harness, Ground Strap |
| | 591014 | Adhesive Loctite (1/3 oz.) | | 242831 | Wire (14 Ga. 200 c Red) | | W10115168 | Cooktop, Tap Touch Switch |
| | 482338 | Sealer, Silastic (3 oz.) | | 242827 | Wire (14 Ga. 150 c Yellow) | | 9759922 | Conduit Slide-In |
| | | | | | | | 313660 | Clip, Ground Wire |
| | | | | | | | 4448664 | Clamp |
| | | | | | | | 9756675 | Grommet, Flexible |
| | | | | | | | 9757778 | Bushing, Snap, Split 1" |
| | | | | | | | W10076020 | Gasket |
| | | | | | | | 4449809 | Screw |
| | | | | | | | 112432 | Nut |
| | | | | | | | 4450800 | Screw, Ground |
| | | | | | | | 3400015 | Screw, Ground |
| | | | | | | | <u>Miscellaneous</u> | |
| | | | | | | | 9782676 | Anti-Tip Assembly |
| | | | | | | | W10113901A | Filler, Counter Top |

FOR ORDERING INFORMATION REFER TO PARTS PRICE LIST