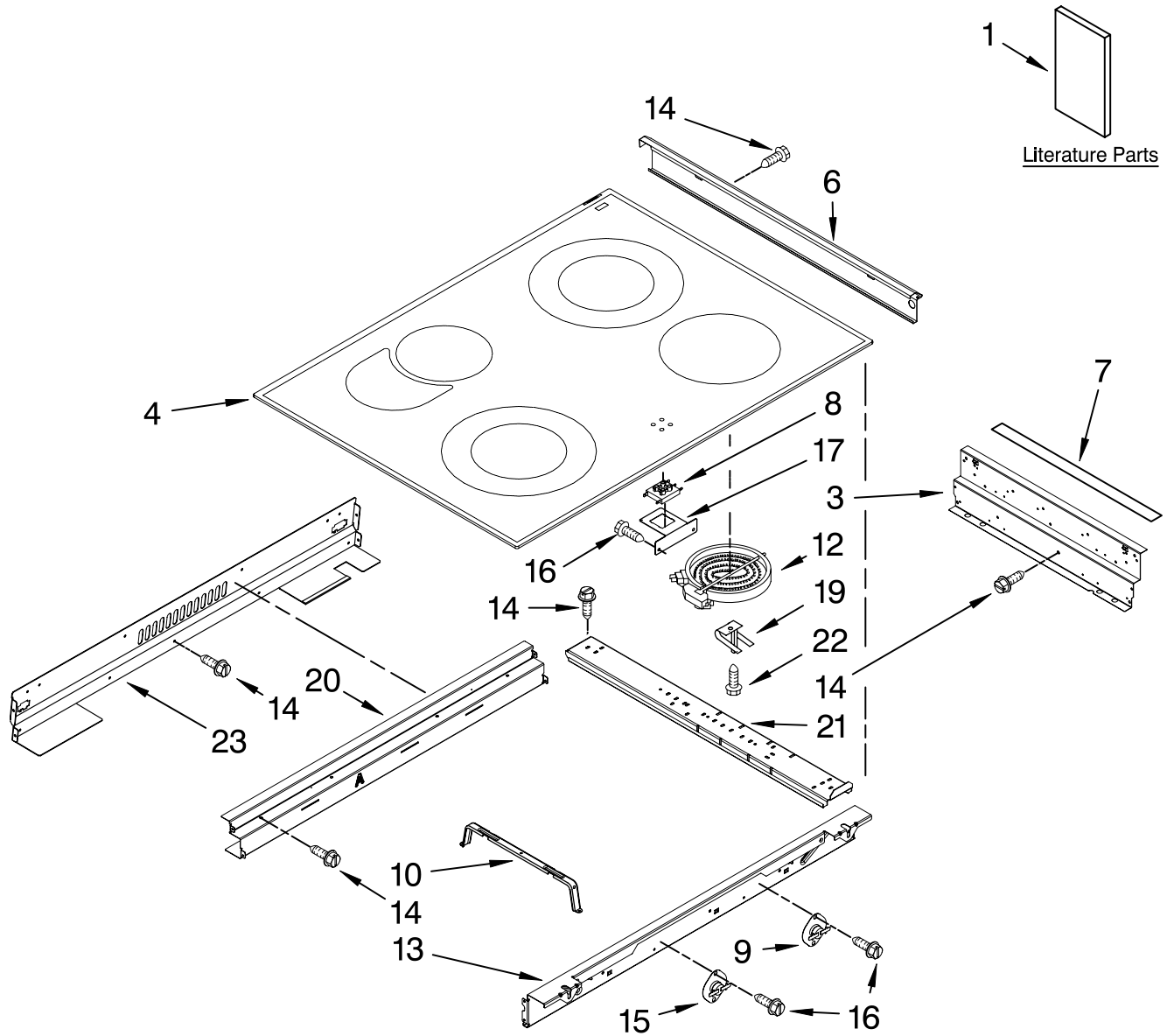


# KitchenAid®

## COOKTOP PARTS

For Models: KESK901SBL02, KESK901SWH02, KESK901SSS02  
(Black) (White) (Stainless)

30" SLIDE-IN  
ELECTRIC OVEN  
THERMAL OVEN



FOR ORDERING INFORMATION REFER TO PARTS PRICE LIST

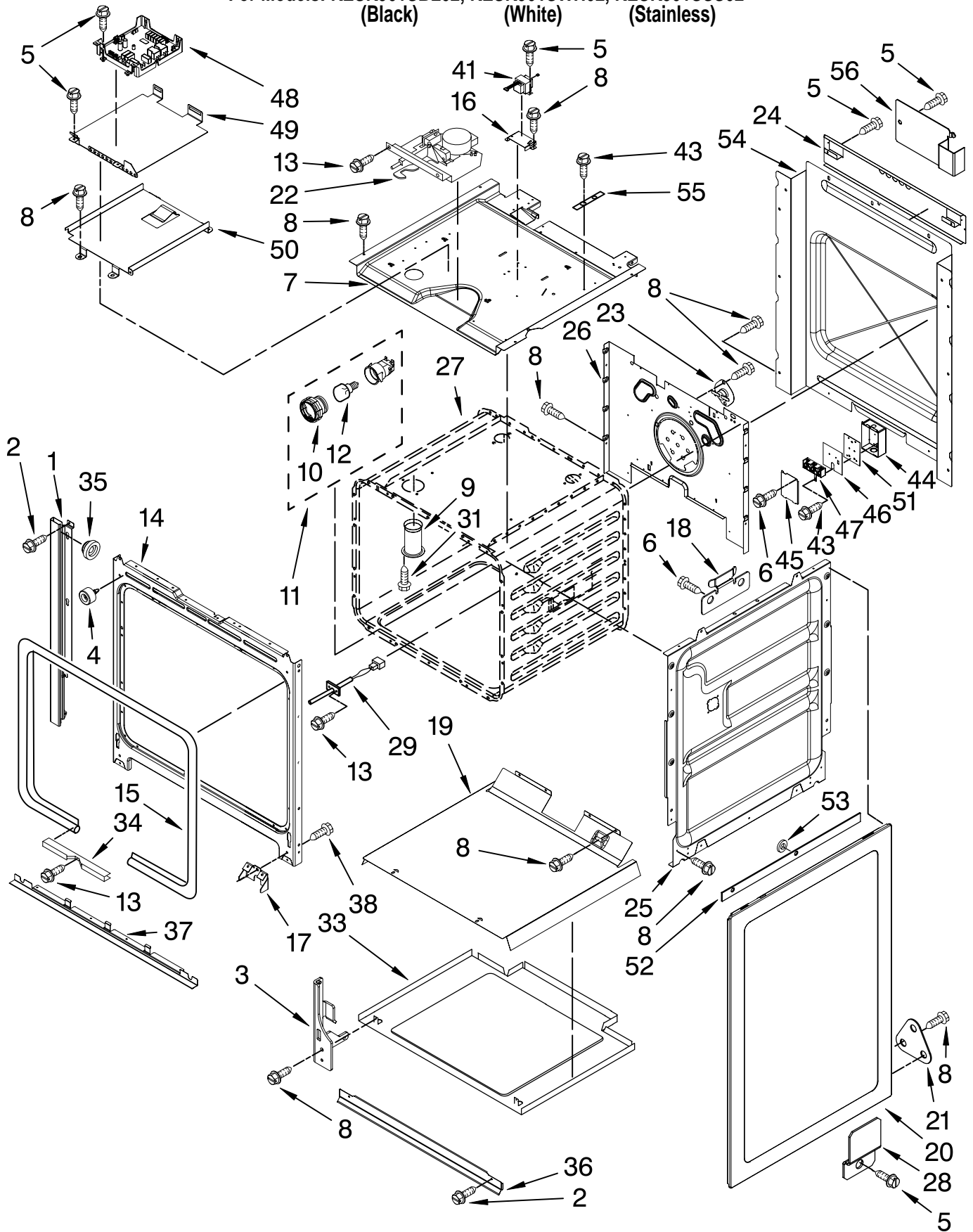
# COOKTOP PARTS

For Models: KESK901SBL02, KESK901SWH02, KESK901SSS02  
(Black) (White) (Stainless)

Illus. No.	Part No.	DESCRIPTION
1		Literature Parts
	W10118260	Installation Instructions
	W10162196	Use & Care Guide
	W10112130	Tech Sheet
	9763467	Easy Set Guide
	9757680	Anti-Tip Instructions
		Safe Cooking Tips
	9762761	English
	W10065852	French
3	9761422	Frame, Cooktop Side
4		Cooktop
	W10109850	Black/Stainless
	W10109860	White
6		Trim, Cooktop Right
	W10110687	Black
	W10110685	White
	W10140550	Stainless
		Left
	W10110682	Black
	W10110680	White
	W10140549	Stainless
7	W10076030	Gasket (2)
8	8523739	Light, Indicator
9	9759944	Thermostat
10	9756821	Support, Wiring
12		Element, Surface
	8523697	LR
	8523696	RF
	8523694	RR
	4453909	LF
13	9761423	Frame, Cooktop Front
14	3196537	Screw
15	341196	Thermostat
16	3196160	Screw
17	9758799	Bracket, Indicator Lamp
19	9759094	Spring, Locator
20	9761768	Frame, Cooktop Rear
21	9763517	Rail, Element (3)
22	246119	Screw
23	9761724	Cover, Cooktop Rear

# OVEN PARTS

For Models: KESK901SBL02, KESK901SWH02, KESK901SSS02  
(Black) (White) (Stainless)



FOR ORDERING INFORMATION REFER TO PARTS PRICE LIST

# OVEN PARTS

For Models: KESK901SBL02, KESK901SWH02, KESK901SSS02  
 (Black) (White) (Stainless)

Illus. No.	Part No.	DESCRIPTION	Illus. No.	Part No.	DESCRIPTION	Illus. No.	Part No.	DESCRIPTION
1		Trim, Side Right	19	4451478	Support, Insulation Body, Side	45	9757405	Cover, Terminal Box
	W10109540	Black	20	9760723PB	Black/Stainless	46	9759721	Insulator, Terminal Box
	W10109570	White		9760723PW	White	47	9761958	Block, Terminal
	W10140548	Stainless	21	9757461	Bracket, Side Panel	48	W10181438	Appliance, Manager
	W10109490	Black	22	9760888	Latch, Motorized	49	W10083460	Slide, GOC
	W10109520	White	23	9759242	Thermostat	50	9756454	Bracket, Appliance Manager
	W10140547	Stainless	24	9757811	Brace, Side Panel	51	9759884	Insulation
2	3400832	Screw	25	4455641	Side, Chassis	52	9759722	Insulation, Body Side
3		Hinge Receiver	26	9759761	Back, Chassis	53	9760481	Washer
	4455606	Right	27		Liner, Oven (Not Serviceable)	54	9758583	Cover, Back
	4455605	Left	28	9759890	Clip, Side Panel	55	9759885	Pad, Insulation(2)
4	W10105790	Bumper, Door (2)	29	W10131825	Sensor	56	9759945	Standoff, Rear
5	3196537	Screw	31	3196176	Screw			
6	3196160	Screw	33	9759713	Base, Chassis			
7	8303099	Top Chassis	34	4448933	Retainer, Gasket			
8	4449809	Screw	35	4448444	Grommet, Mounting Rail			
9	4452158	Tube, Vent			Vent, Bottom Upper			
10	W10067870	Lens, Light (2)	36		Black			
11	W10009930	Oven Light, Assembly (2)		W10116899	White			
12	4452166	Bulb, Light (2)		W10116897	Stainless			
13	4449154	Screw	37	W10160347	Vent, Bottom Lower			
14	W10130368	Frame, Front		W10104890	Black			
15	W10074200	Gasket, Door		W10104910	White			
16	9757829	Bracket, Transformer		W10140546	Stainless			
17	4452152	Bracket, Mounting	38	4449743	Screw			
18	9757685	Guide, Side Panel	41	W10111628	Transformer, Control			
			43	3400080	Screw			
			44	W10165135	Box, Terminal			

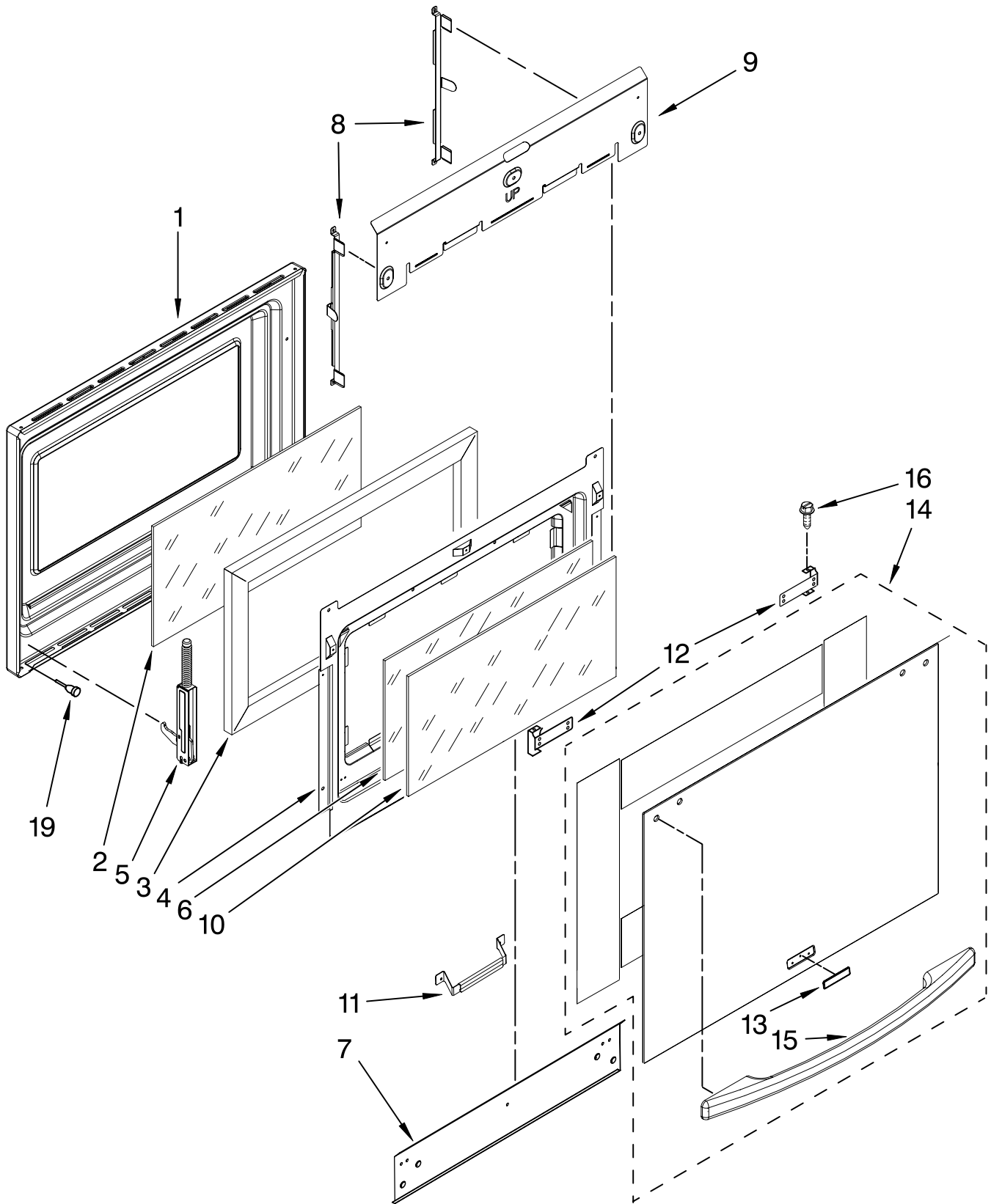
**FOLLOWING PARTS  
NOT ILLUSTRATED**

**INSULATION**

9756817 Insulation, Wrap  
 9756470 Insulation, Back

# DOOR PARTS

For Models: KESK901SBL02, KESK901SWH02, KESK901SSS02  
(Black) (White) (Stainless)



FOR ORDERING INFORMATION REFER TO PARTS PRICE LIST

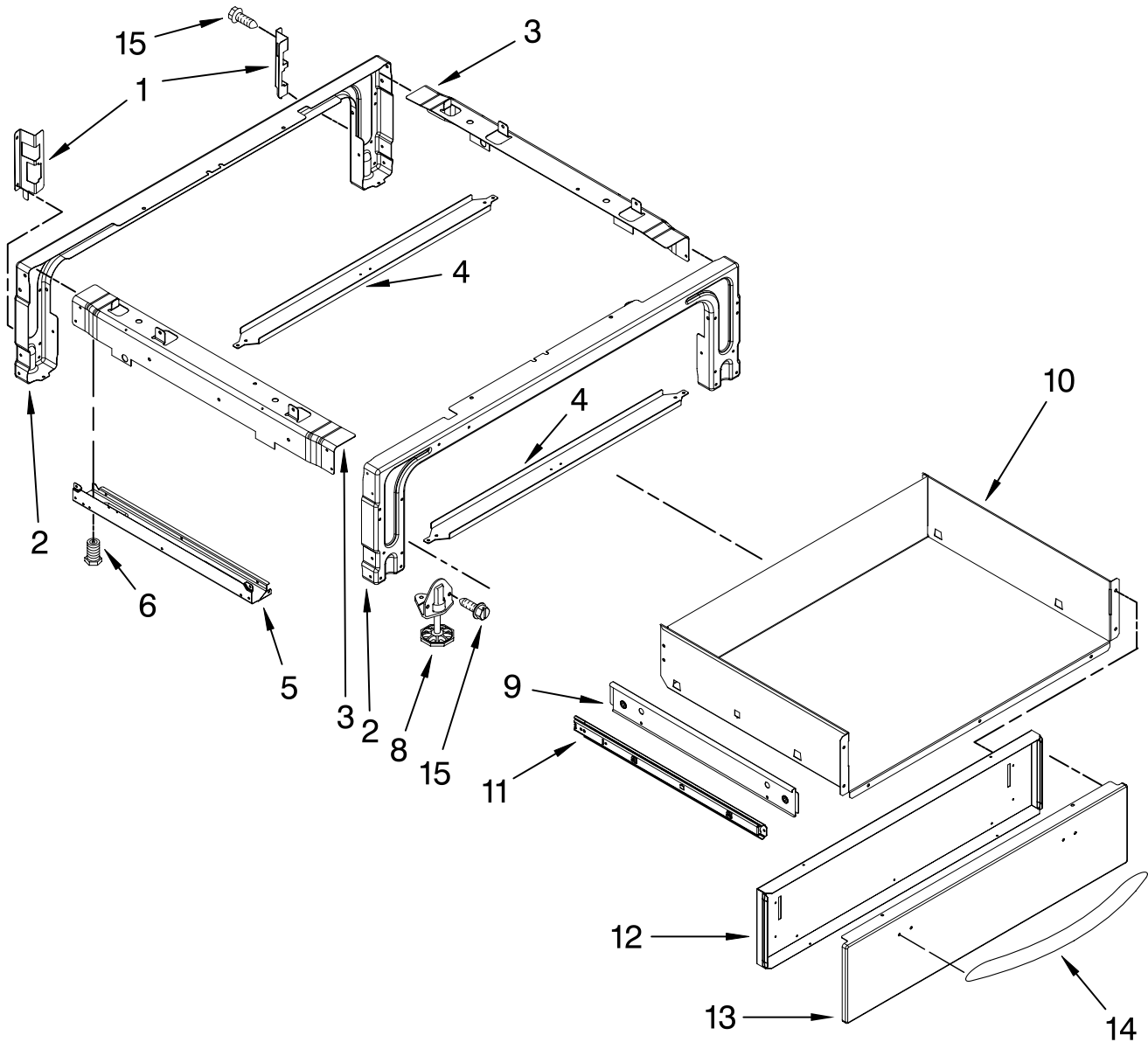
# DOOR PARTS

For Models: KESK901SBL02, KESK901SWH02, KESK901SSS02  
 (Black) (White) (Stainless)

<b>Illus. No.</b>	<b>Part No.</b>	<b>DESCRIPTION</b>
1	9759413	Panel, Door
2	9757706	Glass, Inner
3	4451722	Insulation, Door
4	4457132	Retainer, Glass
5		Hinge, Oven Door
	9760579	Right
	9760580	Left
6	9759225	Glass, Inner
7	4457114	Shield, Heat Bottom
8	9759229	Bracket, Glass Side
9	4457103	Shield, Heat Top
10	9759225	Glass, Inner Door
11	9759230	Bracket, Central
12		Bracket, Handle
	9763497	Right
	9763496	Left
13		Badge
	8304603BL	Black
	8304603WH	White
	8304603SS	Stainless
14		Assembly, Door Kit
	W10131888	Black
	W10131889	White
	W10155557	Stainless
15		Handle, Door
	8303774BL	Black
	8303774WH	White
	8303774SS	Stainless
16	3196184	Screw
19	4448520	Bumper, Door

# DRAWER PARTS

For Models: KESK901SBL02, KESK901SWH02, KESK901SSS02  
(Black) (White) (Stainless)



Illus. No.	Part No.	DESCRIPTION
1		Support, Drawer Rail
	9757687	Right
	9757686	Left
2	9763501BL	Support, Front & Rear
3		Brace, Drawer
	4453720	Right
	4453721	Left
4	9759943	Brace, Base Front

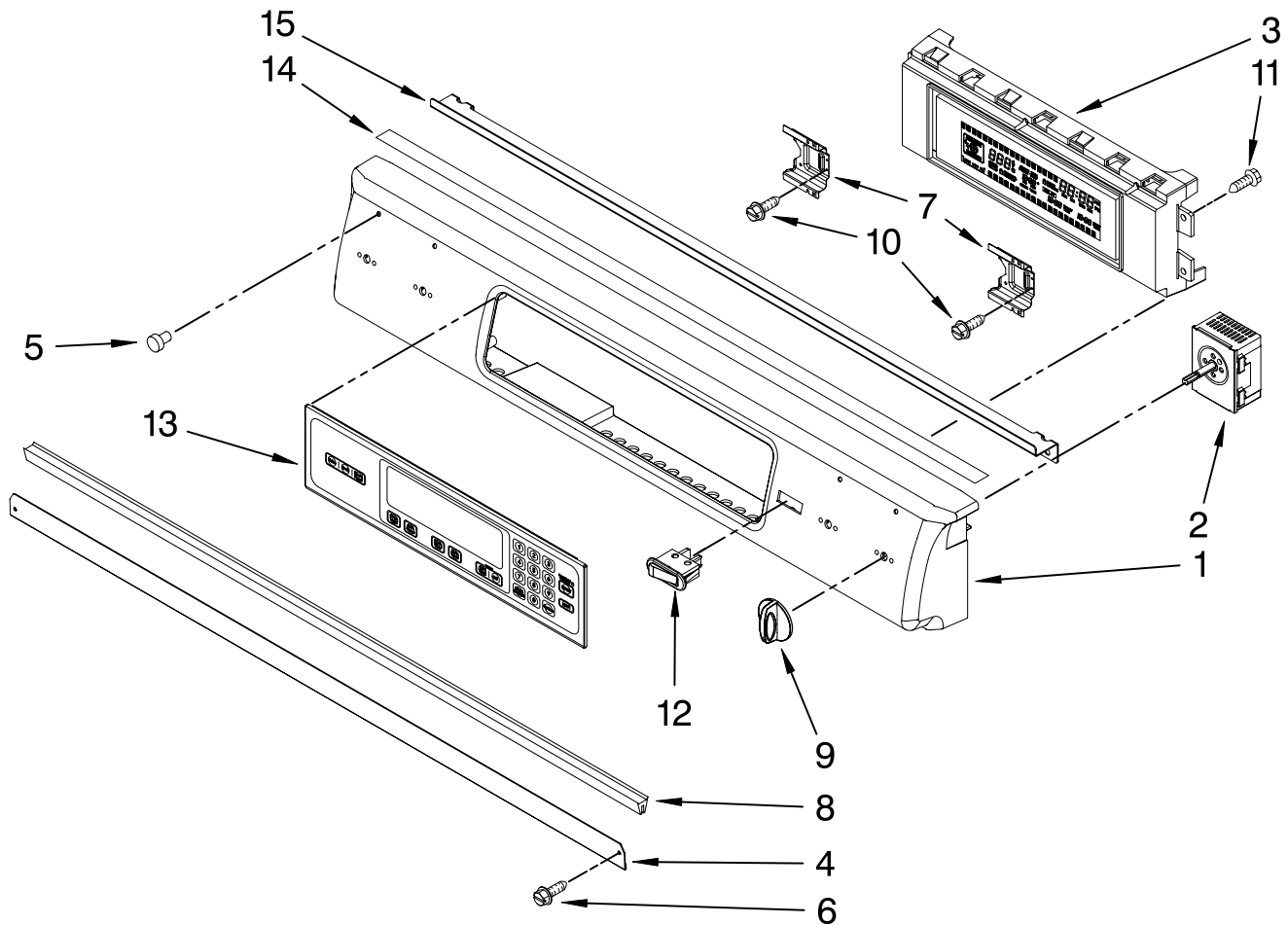
Illus. No.	Part No.	DESCRIPTION
5		Side, Base
	9759953	Right
	9759954	Left
6	W10058460	Foot
8	3196037	Foot Assembly
9	9756673	Guide, Roller (2)
10	9757806	Drawer
11		Drawer Slide
	9756836	Right
	9756838	Left

Illus. No.	Part No.	DESCRIPTION
12	9760592	Panel, Drawer
13		Front, Drawer
	9761747BL	Black
	9761747WH	White
	W10140545	Stainless
14		Handle, Drawer
	9761573BL	Black
	9761573WH	White
	9761573SS	Stainless
15	3196537	Screw

FOR ORDERING INFORMATION REFER TO PARTS PRICE LIST

# CONTROL PANEL PARTS

For Models: KESK901SBL02, KESK901SWH02, KESK901SSS02  
(Black) (White) (Stainless)



Illus. No.	Part No.	DESCRIPTION
1	W10117046	Control Panel Black
	W10117047	White
	W10156275	Stainless
2		Switch, Infinite
	4454539	LR
	4454540	RF
	4454541	RR
	4456027	LF
3	W10181442	Control, Electric
4	W10105370	Shield, Console Vent
5	3196068	Lens, Indicator (2)
	3196160	Screw

Illus. No.	Part No.	DESCRIPTION
7	9761745	Bracket, Thermostat (2)
8	W10116195	Gasket, Vent Shield
9		Knob RF
	W10130380	Black
	W10130381	White
	W10156263	Stainless LR,LF,RR
	W10130377	Black
	W10130378	White
	W10156264	Stainless

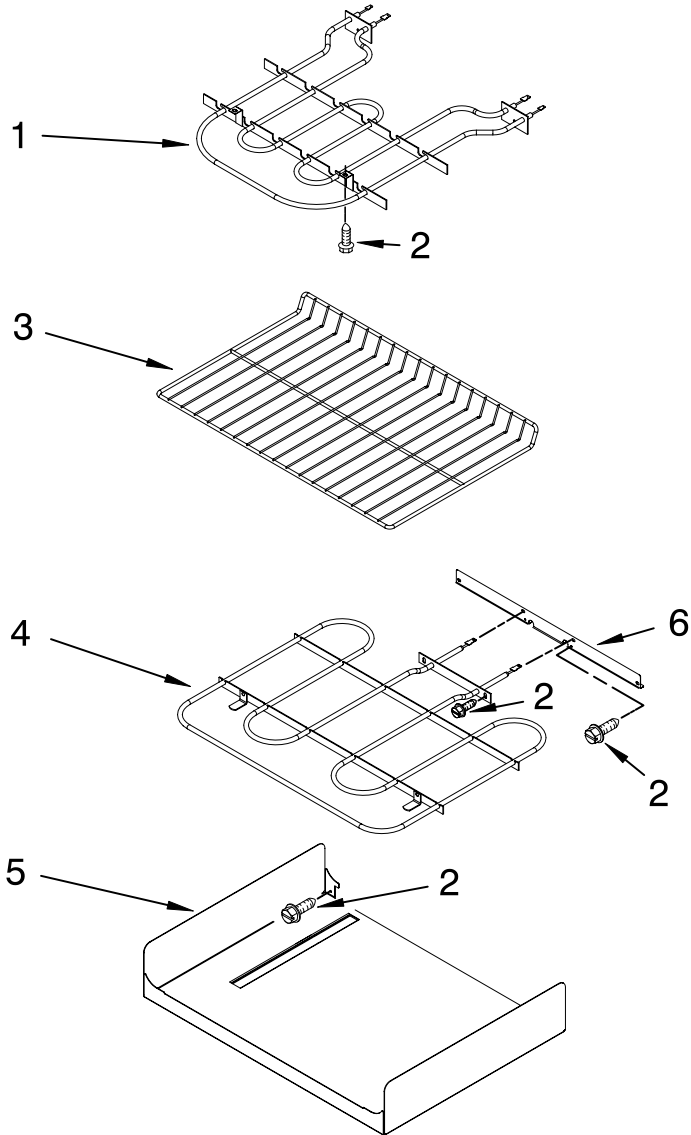
Illus. No.	Part No.	DESCRIPTION
10	3196537	Screw
11	9780271	Screw
12		Switch, Simmer
	W10163899	Black & Stainless
	W10163901	White
13	9761565	Membrane, Switch
14	W10110246	Gasket, Console
15	W10117524	Bracket, Gasket

FOR ORDERING INFORMATION REFER TO PARTS PRICE LIST



# INTERNAL OVEN PARTS

For Models: KESK901SBL02, KESK901SWH02, KESK901SSS02  
 (Black) (White) (Stainless)

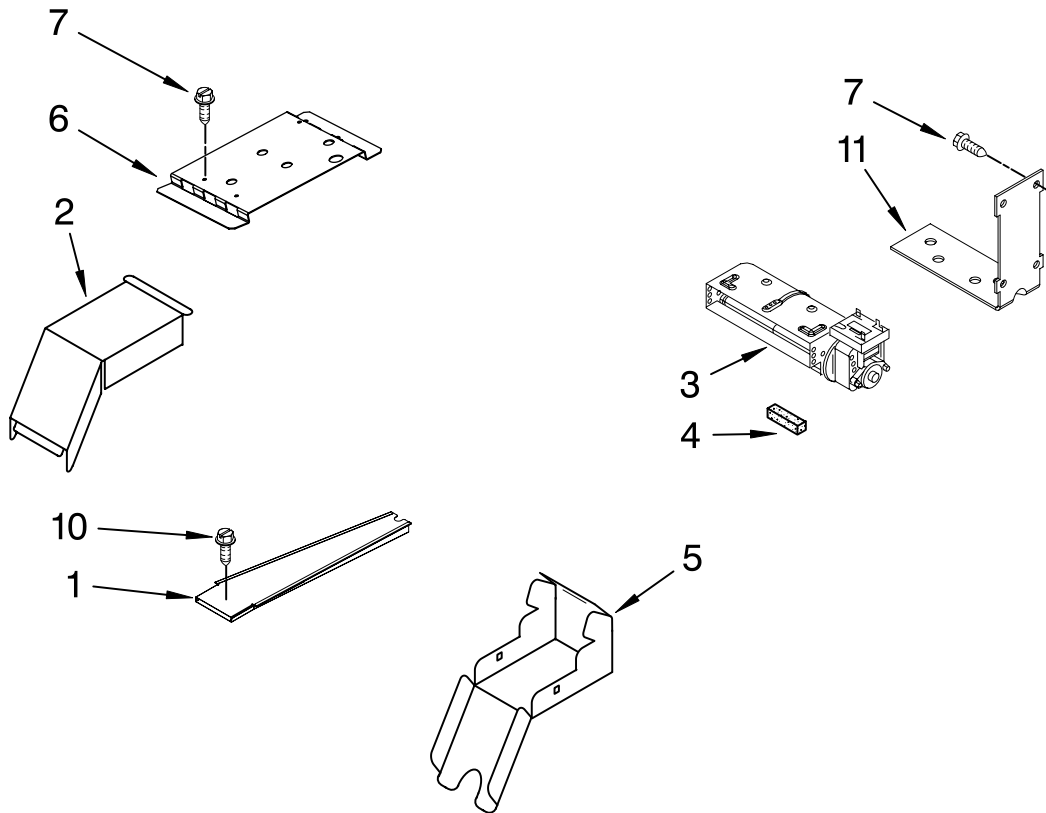


Illus. No.	Part No.	DESCRIPTION
1	9760774	Element, Broil
2	4449154	Screw
3	4448717	Rack, Oven
4	9760768	Element, Bake
5	4455037	Tray, Hidden Bake
6	4450039	Cover, Bake Tray

FOR ORDERING INFORMATION REFER TO PARTS PRICE LIST

# TOP VENTING PARTS

For Models: KESK901SBL02, KESK901SWH02, KESK901SSS02  
 (Black) (White) (Stainless)



Illus. No.	Part No.	DESCRIPTION
1	4451759	Vent, Exhaust
2	4455178	Elbow, Vent Top
3	9759320	Blower
4	4451758	Block, Foam
5	4455177	Elbow, Vent Bottom
6	W10143041	Bracket, Terminal Box
7	4449809	Screw (2)
10	4449040	Screw
11	4455352	Bracket, Blower

FOR ORDERING INFORMATION REFER TO PARTS PRICE LIST

# OPTIONAL PARTS

For Models: KESK901SBL02, KESK901SWH02, KESK901SSS02  
(Black) (White) (Stainless)

Illus. No.	Part No.	DESCRIPTION
<b><u>PAINT, TOUCH-UP (1/2oz.)</u></b>		
	72017	White
	261869	Cord Brown
	72032	Black
<b><u>PAINT, SPRAY</u></b>		
	350930	White
	261900	Citrine White
	830864	Black
<b><u>ADHESIVE</u></b>		
	591014	Adhesive Loctite (1/3 oz.)
	482338	Sealer, Silastic (3 oz.)

Illus. No.	Part No.	DESCRIPTION
<b><u>SPLICING WIRES--25FT.</u></b>		
<b><u>LENGTH</u></b>		
	242828	Wire (12 Ga. 150 c Black)
	242820	Wire (14 Ga. 150 c Black)
	242821	Wire (14 Ga. 150 c Blue)
	242822	Wire (14 Ga. 150 c Brown)
	242830	Wire (14 Ga. 200 c Brown)
	242823	Wire (14 Ga. 150 c Green)
	242824	Wire (14 Ga. 150 c Orange)
	242825	Wire (14 Ga. 150 c Red)
	242831	Wire (14 Ga. 200 c Red)
	242827	Wire (14 Ga. 150 c Yellow)

Illus. No.	Part No.	DESCRIPTION
<b><u>WIRING HARNESS PARTS</u></b>		
	W10137679	Harness, Main
	W10118727	Harness, Switch
	9762921	Harness, Communication
	4452222	Spacer, Harness
	9763481	Harness, Ground Strap
	W10137676	Cooktop, Electric Switch
	313660	Clip, Ground Wire
	W10177363	Grommet, Flex
	4449809	Screw
	W10155291	Connector, Flex
	112432	Nut
	4450800	Screw, Ground
	3400015	Screw, Ground
<b><u>Miscellaneous</u></b>		
	9782676	Anti-Tip Assembly Filler, Counter Top
	W10113902A	Black
	W10113903A	White
	W10113901A	Stainless

FOR ORDERING INFORMATION REFER TO PARTS PRICE LIST