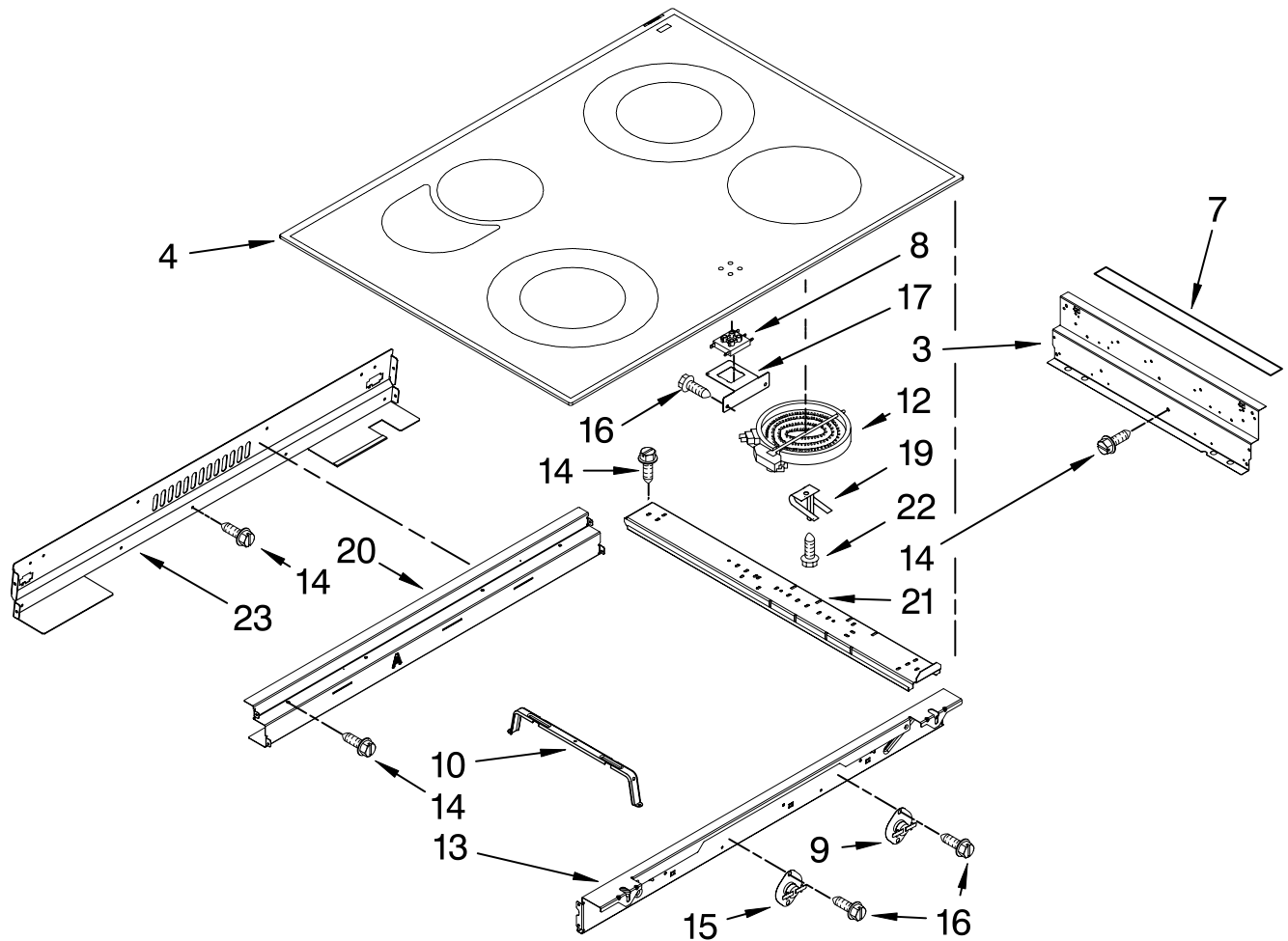
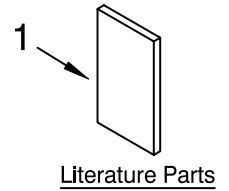


KitchenAid® **COOKTOP PARTS**
 For Models: KESK901SBL06, KESK901SWH06, KESK901SSS06
 (Black) (White) (Stainless)

30" SLIDE-IN
 ELECTRIC OVEN
 THERMAL OVEN



FOR ORDERING INFORMATION REFER TO PARTS PRICE LIST

COOKTOP PARTS

For Models: KESK901SBL06, KESK901SWH06, KESK901SSS06
(Black) (White) (Stainless)

| Illus. No. | Part No. | DESCRIPTION |
|---------------|-------------|------------------------------|
| 1 | | Literature Parts |
| | W10118260 | Installation Instructions |
| | W10190622 | Use & Care Guide |
| | W10189732 | Tech Sheet |
| | 9763467 | Easy Set Guide |
| | 9757680 | Anti-Tip Instructions |
| | 9762761 | Safe Cooking Tips English |
| | W10065852 | French |
| 3 | 9761422 | Frame, Cooktop Side |
| 4 | | Cooktop |
| | W10109850 | Black/Stainless |
| | W10109860 | White |
| 7 | W10076030 | Gasket (2) |
| 8 | 8523739 | Light, Indicator |
| 9 | 9759944 | Thermostat |
| 10 | 9756821 | Support, Wiring |
| 12 | | Element, Surface |
| | 8523697 | LR |
| | 8523696 | RF |
| | 8523694 | RR |
| | 4453909 | LF |
| 13 | 9761423 | Frame, Cooktop Front |
| 14 | 3196537 | Screw |
| 15 | 341196 | Thermostat |
| 16 | 3196160 | Screw |
| 17 | 9758799 | Bracket, Indicator Lamp |
| 19 | 9759094 | Spring, Locator |
| 20 | 9761768 | Frame, Cooktop Rear |
| 21 | 9763517 | Rail, Element (3) |
| 22 | 246119 | Screw |
| 23 | 9761724 | Cover, Cooktop Rear |

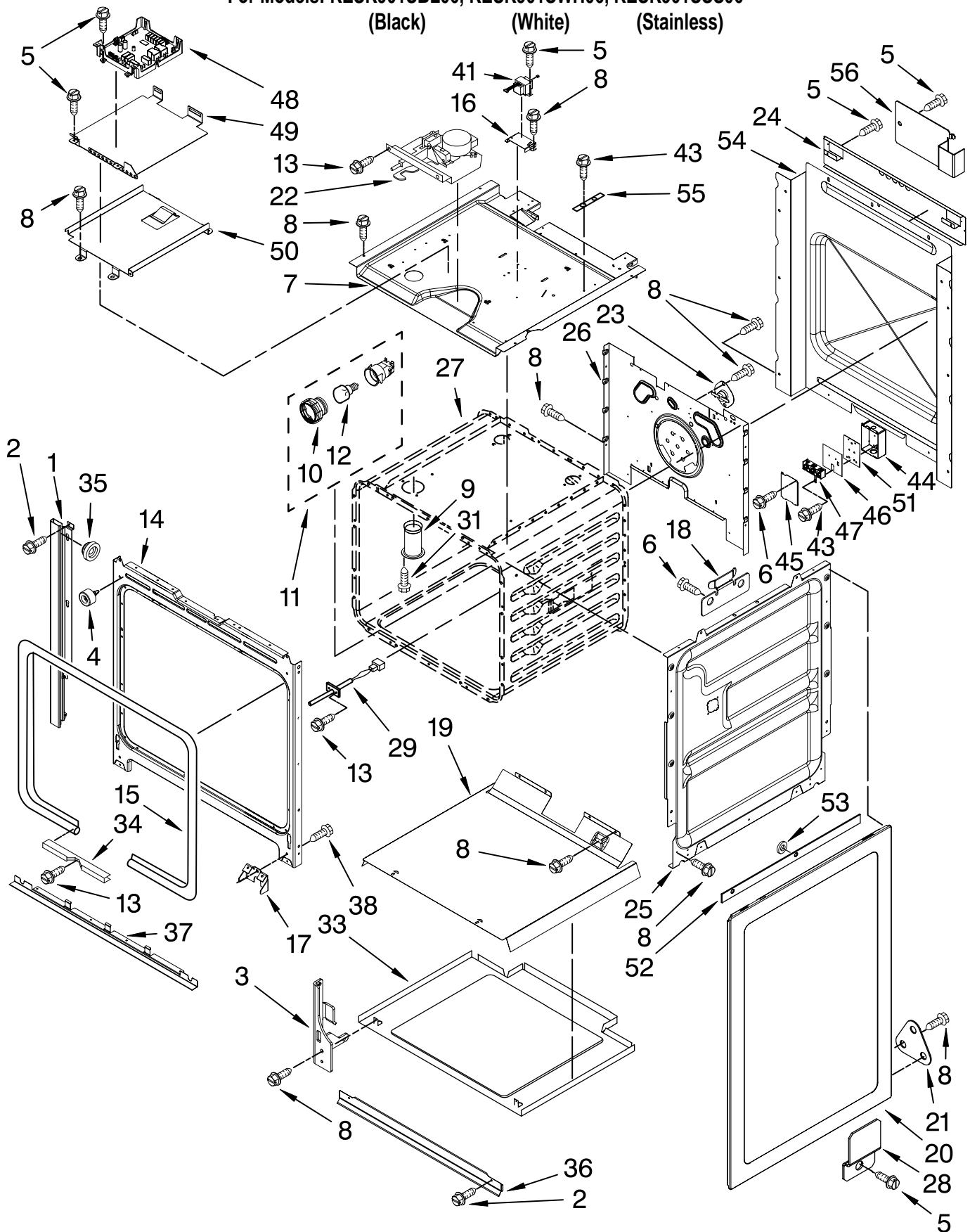
OVEN PARTS

For Models: KESK901SBL06, KESK901SWH06, KESK901SSS06

(Black)

(White)

(Stainless)



FOR ORDERING INFORMATION REFER TO PARTS PRICE LIST

OVEN PARTS

For Models: KESK901SBL06, KESK901SWH06, KESK901SSS06

(Black)

(White)

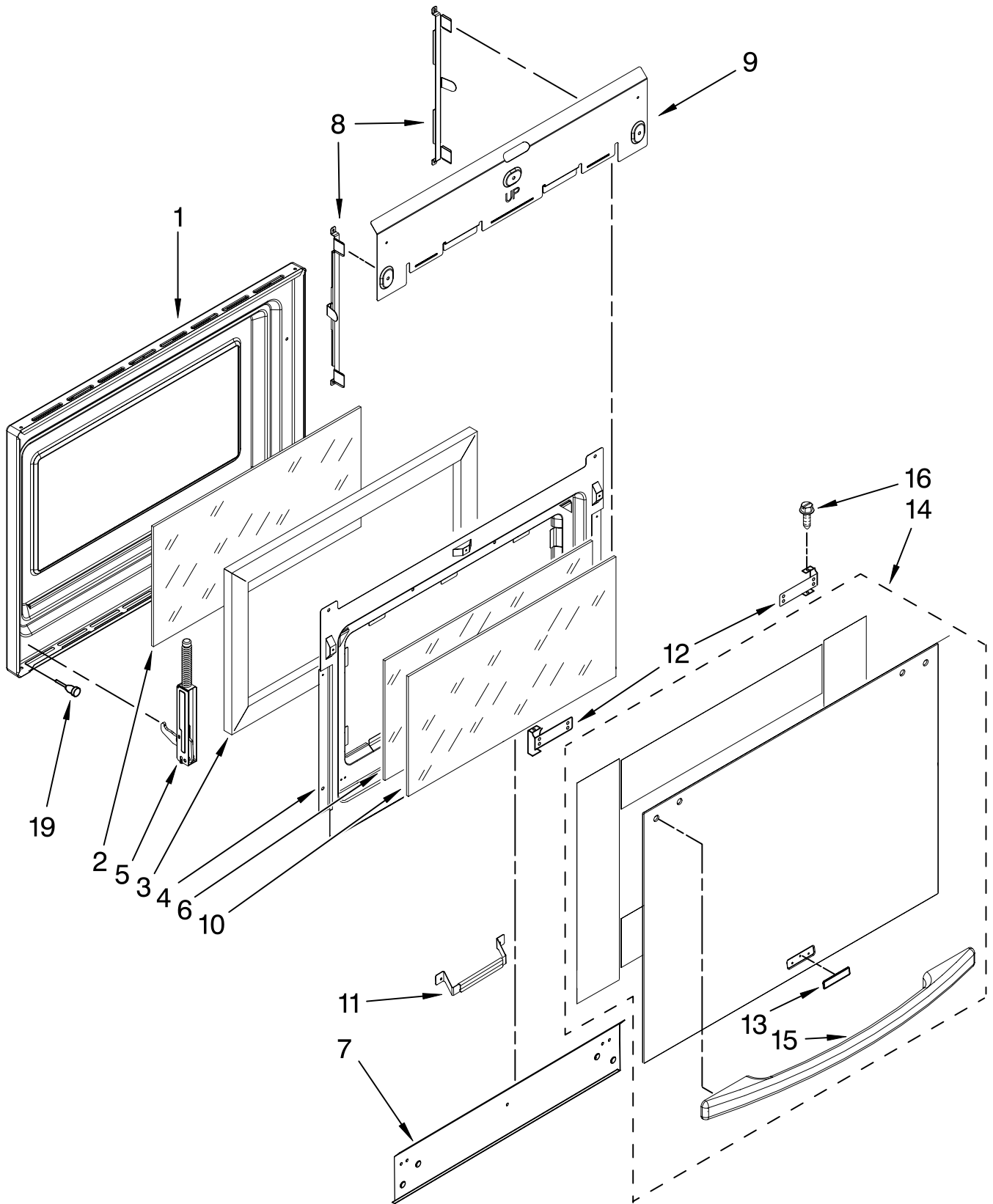
(Stainless)

| Illus. No. | Part No. | DESCRIPTION | Illus. No. | Part No. | DESCRIPTION | Illus. No. | Part No. | DESCRIPTION |
|------------|-----------|--------------------------|------------|-----------|--------------------------------|--|-----------|----------------------------|
| 1 | | Trim, Side Right | 18 | 9757685 | Guide, Side Panel | 43 | 3400080 | Screw |
| | W10109540 | Black | 19 | 4451478 | Support, Insulation Body, Side | 44 | W10165135 | Box, Terminal |
| | W10109570 | White | 20 | | | 45 | 9757405 | Cover, Terminal Box |
| | W10140548 | Stainless | | 9760723PB | Black/Stainless | 46 | 9759721 | Insulator, Terminal Box |
| | | Left | | 9760723PW | White | 47 | 9761958 | Block, Terminal |
| | W10109490 | Black | 21 | 9757461 | Bracket, Side Panel | 48 | W10181438 | Appliance, Manager |
| | W10109520 | White | 22 | 9760888 | Latch, Motorized | 49 | W10083460 | Slide, GOC |
| | W10140547 | Stainless | 23 | 9759242 | Thermostat | 50 | 9756454 | Bracket, Appliance Manager |
| 2 | 3400832 | Screw | 24 | 9757811 | Brace, Side Panel | 51 | 9759884 | Insulation |
| 3 | | Hinge Receiver | 25 | 4455641 | Side, Chassis | 52 | 9759722 | Insulation, Body Side |
| | 4455606 | Right | 26 | 9759761 | Back, Chassis | 53 | 9760481 | Washer |
| | 4455605 | Left | 27 | | Liner, Oven (Not Serviceable) | 54 | 9758583 | Cover, Back |
| 4 | W10105790 | Bumper, Door (2) | 28 | 9759890 | Clip, Side Panel | 55 | 9759885 | Pad, Insulation(2) |
| 5 | 3196537 | Screw | 29 | W10131825 | Sensor | 56 | 9759945 | Standoff, Rear |
| 6 | 3196160 | Screw | 31 | 3196176 | Screw | FOLLOWING PARTS NOT ILLUSTRATED | | |
| 7 | 8303099 | Top Chassis | 33 | 9759713 | Base, Chassis | INSULATION | | |
| 8 | 4449809 | Screw | 34 | 4448933 | Retainer, Gasket | | 9756817 | Insulation, Wrap |
| 9 | 4452158 | Tube, Vent | 35 | 4448444 | Grommet, Mounting Rail | | 9756470 | Insulation, Back |
| 10 | W10067870 | Lens, Light (2) | | | Vent, Bottom Upper | | | |
| 11 | W10009930 | Oven Light, Assembly (2) | 36 | | | | | |
| 12 | 4452166 | Bulb, Light (2) | | W10116899 | Black | | | |
| 13 | 4449154 | Screw | | W10116897 | White | | | |
| 14 | W10115831 | Frame, Front | | W10160347 | Stainless | | | |
| 15 | W10074200 | Gasket, Door | 37 | | Vent, Bottom Lower | | | |
| 16 | 9757829 | Bracket, Transformer | | W10153486 | Black | | | |
| 17 | 4452152 | Bracket, Mounting | | W10153488 | White | | | |
| | | | | W10154789 | Stainless | | | |
| | | | 38 | 4449743 | Screw | | | |
| | | | 41 | W10111628 | Transformer, Control | | | |

FOR ORDERING INFORMATION REFER TO PARTS PRICE LIST

DOOR PARTS

For Models: KESK901SBL06, KESK901SWH06, KESK901SSS06
(Black) (White) (Stainless)



FOR ORDERING INFORMATION REFER TO PARTS PRICE LIST

DOOR PARTS

For Models: KESK901SBL06, KESK901SWH06, KESK901SSS06

(Black)

(White)

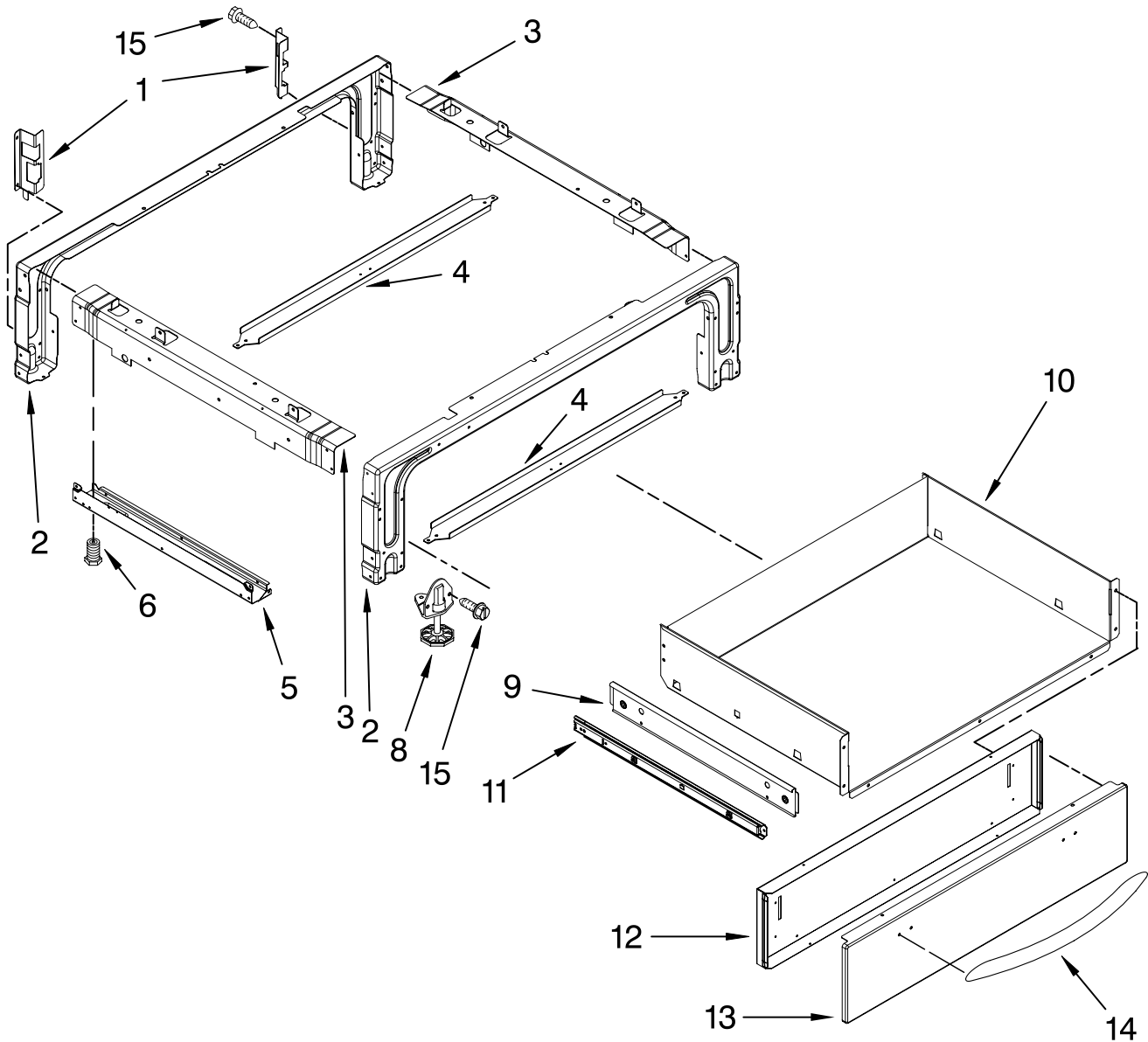
(Stainless)

| Illus. No. | Part No. | DESCRIPTION |
|-------------------|-----------------|------------------------|
| 1 | 9759413 | Panel, Door |
| 2 | 9757706 | Glass, Inner |
| 3 | 4451722 | Insulation, Door |
| 4 | 4457132 | Retainer, Glass |
| 5 | | Hinge, Oven Door |
| | 9760579 | Right |
| | 9760580 | Left |
| 6 | 9759225 | Glass, Inner |
| 7 | 4457114 | Shield, Heat Bottom |
| 8 | 9759229 | Bracket, Glass Side |
| 9 | 4457104 | Shield, Heat Top |
| 10 | 9759225 | Glass, Inner Door |
| 11 | 9759230 | Bracket, Central |
| 12 | | Bracket, Handle |
| | 9763497 | Right |
| | 9763496 | Left |
| 13 | | Badge |
| | 8304603BL | Black |
| | 8304603WH | White |
| | 8304603SS | Stainless |
| 14 | | Assembly, Door Kit |
| | W10131888 | Black |
| | W10131889 | White |
| | W10155557 | Stainless |
| 15 | | Handle, Door |
| | 8303774BL | Black |
| | 8303774WH | White |
| | 8303774SS | Stainless |
| 16 | 3196184 | Screw |
| 19 | 4448520 | Bumper, Door |

FOR ORDERING INFORMATION REFER TO PARTS PRICE LIST

DRAWER PARTS

For Models: KESK901SBL06, KESK901SWH06, KESK901SSS06
(Black) (White) (Stainless)



| Illus. No. | Part No. | DESCRIPTION |
|------------|-----------|-----------------------|
| 1 | | Support, Drawer Rail |
| | 9757687 | Right |
| | 9757686 | Left |
| 2 | 9763501BL | Support, Front & Rear |
| 3 | | Brace, Drawer |
| | 4453720 | Right |
| | 4453721 | Left |

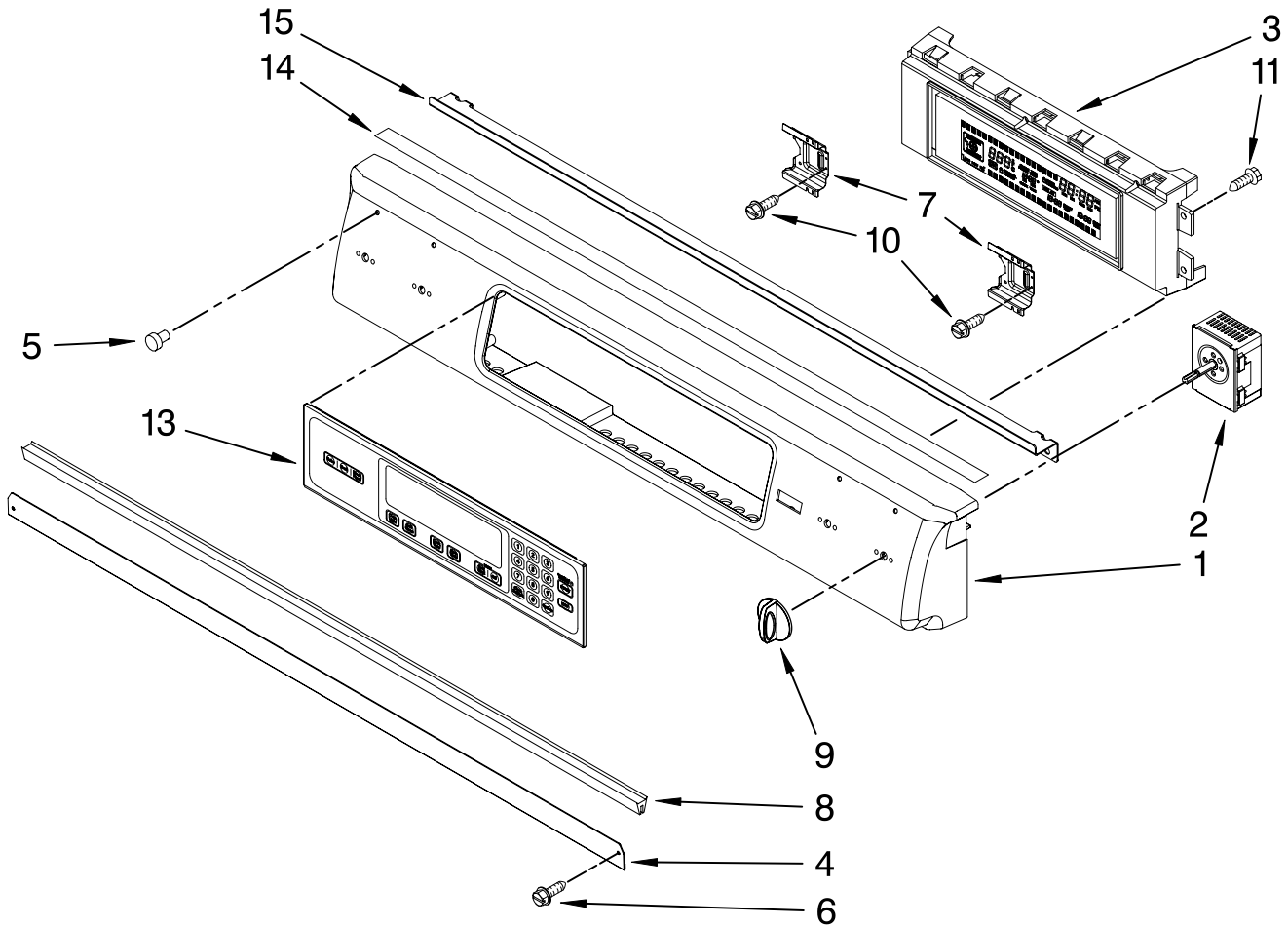
| Illus. No. | Part No. | DESCRIPTION |
|------------|-----------|-------------------|
| 4 | 9759943 | Brace, Base Front |
| 5 | | Side, Base |
| | 9759953 | Right |
| | 9759954 | Left |
| 6 | W10058460 | Foot |
| 8 | 3196037 | Foot Assembly |
| 9 | 9756673 | Guide, Roller (2) |
| 10 | 9757806 | Drawer |
| 11 | | Drawer Slide |
| | 9756836 | Right |
| | 9756838 | Left |

| Illus. No. | Part No. | DESCRIPTION |
|------------|-----------|----------------|
| 12 | 9760592 | Panel, Drawer |
| 13 | | Front, Drawer |
| | W10203760 | Black |
| | W10203762 | White |
| | W10203763 | Stainless |
| 14 | | Handle, Drawer |
| | 9761573BL | Black |
| | 9761573WH | White |
| | 9761573SS | Stainless |
| 15 | 3196537 | Screw |

FOR ORDERING INFORMATION REFER TO PARTS PRICE LIST

CONTROL PANEL PARTS

For Models: KESK901SBL06, KESK901SWH06, KESK901SSS06
 (Black) (White) (Stainless)



| Illus. No. | Part No. | DESCRIPTION |
|------------|-----------|-------------------------|
| 1 | W10190660 | Control Panel Black |
| | W10190661 | Control Panel White |
| | W10190662 | Control Panel Stainless |
| 2 | | Switch, Infinite |
| | 4454539 | LR |
| | 4454540 | RF |
| | 4454541 | RR |
| 3 | 4456027 | LF |
| | W10206374 | Control, Electric |

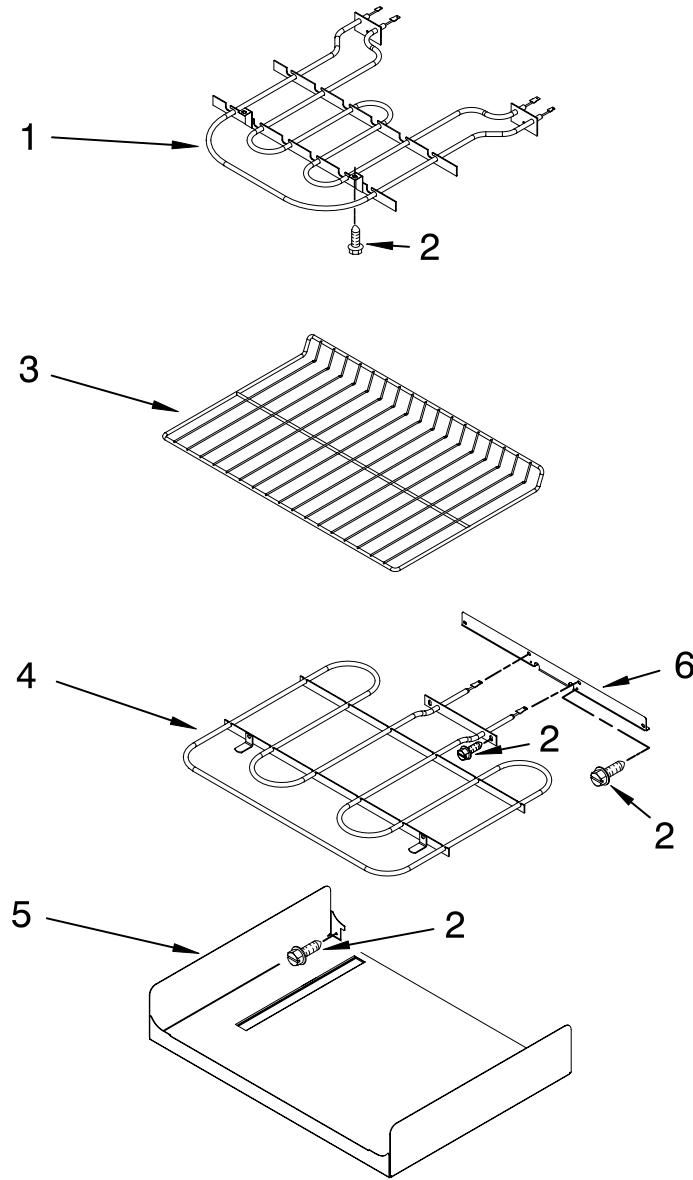
| Illus. No. | Part No. | DESCRIPTION |
|------------|-----------|-------------------------|
| 4 | W10105370 | Shield, Console Vent |
| 5 | 3196068 | Lens, Indicator (2) |
| 6 | 3196160 | Screw |
| 7 | 9761745 | Bracket, Thermostat (2) |
| 8 | W10116195 | Gasket, Vent Shield |

| Illus. No. | Part No. | DESCRIPTION |
|------------|-----------|--------------------|
| 9 | | Knob RF |
| | W10193267 | Black |
| | W10193265 | White |
| | W10156263 | Stainless LR,LF,RR |
| | W10193271 | Black |
| | W10193269 | White |
| | W10156264 | Stainless |
| 10 | 3196537 | Screw |
| 11 | 9780271 | Screw |
| 13 | 9761565 | Membrane, Switch |
| 14 | W10110246 | Gasket, Console |
| 15 | W10117524 | Bracket, Gasket |

FOR ORDERING INFORMATION REFER TO PARTS PRICE LIST

INTERNAL OVEN PARTS

For Models: KESK901SBL06, KESK901SWH06, KESK901SSS06
 (Black) (White) (Stainless)

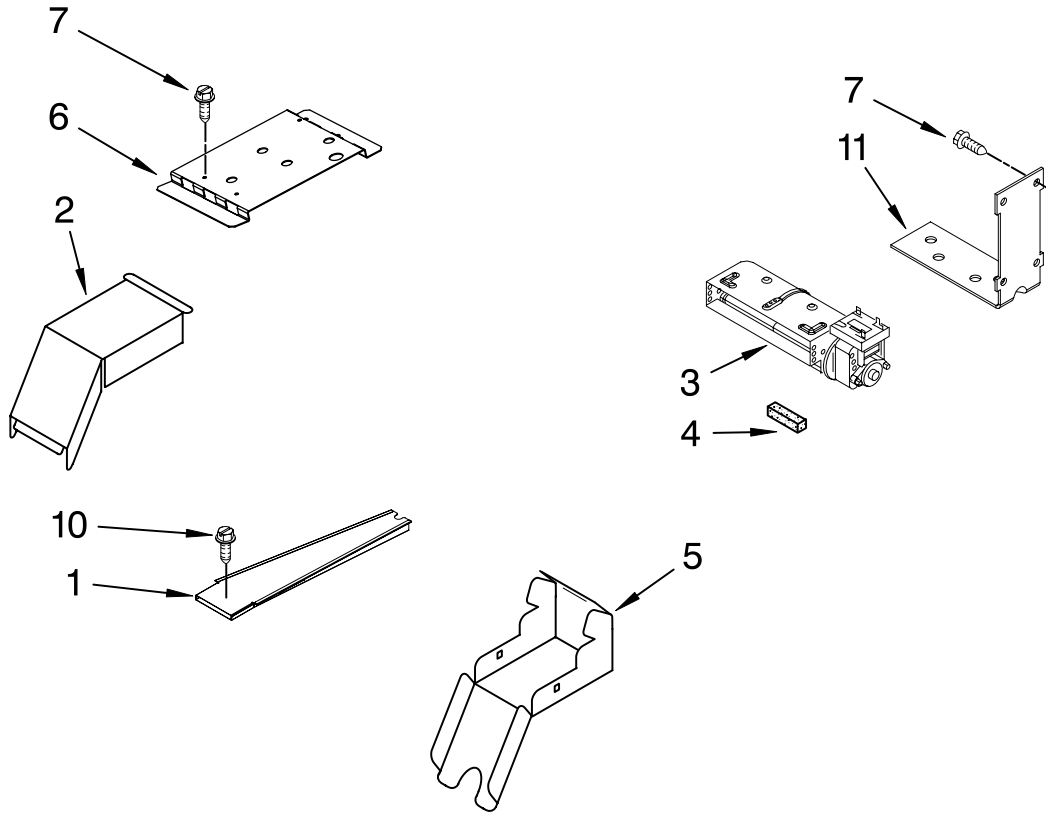


| Illus. No. | Part No. | DESCRIPTION |
|------------|-----------|-------------------|
| 1 | 9760774 | Element, Broil |
| 2 | 4449154 | Screw |
| 3 | W10179152 | Rack, Oven |
| 4 | 9760768 | Element, Bake |
| 5 | 4455037 | Tray, Hidden Bake |
| 6 | 4450039 | Cover, Bake Tray |

FOR ORDERING INFORMATION REFER TO PARTS PRICE LIST

TOP VENTING PARTS

For Models: KESK901SBL06, KESK901SWH06, KESK901SSS06
 (Black) (White) (Stainless)



| Illus. No. | Part No. | DESCRIPTION |
|------------|-----------|-----------------------|
| 1 | 4451759 | Vent, Exhaust |
| 2 | 4455178 | Elbow, Vent Top |
| 3 | 9759320 | Blower |
| 4 | 4451758 | Block, Foam |
| 5 | 4455177 | Elbow, Vent Bottom |
| 6 | W10143041 | Bracket, Terminal Box |
| 7 | 4449809 | Screw (2) |
| 10 | 4449040 | Screw |
| 11 | 4455352 | Bracket, Blower |

FOR ORDERING INFORMATION REFER TO PARTS PRICE LIST

OPTIONAL PARTS

For Models: KESK901SBL06, KESK901SWH06, KESK901SSS06

(Black)

(White)

(Stainless)

| Illus. Part No. No. DESCRIPTION | Illus. Part No. No. DESCRIPTION | Illus. Part No. No. DESCRIPTION |
|--|--|--|
| <p>OPTIONAL PARTS NOT INCLUDED</p> <p><u>PAINT, TOUCH-UP (1/2oz.)</u></p> <p>72017 White 261869 Cord Brown 72032 Black</p> <p><u>PAINT, SPRAY</u></p> <p>350930 White 261900 Citrine White 830864 Black</p> | <p><u>ADHESIVE</u></p> <p>591014 Adhesive Loctite (1/3 oz.) 482338 Sealer, Silastic (3 oz.)</p> <p><u>WIRING HARNESS PARTS</u></p> <p>W10137679 Harness, Main W10118727 Harness, Switch 9762921 Harness, Communication 9763481 Harness, Ground Strap W10190434 Cooktop, Electric Switch 313660 Clip, Ground Wire W10127413 Protector, Edge 9757778 Bushing, Snap Split W10177363 Grommet, Flex 4449809 Screw W10155291 Connector, Flex 7103P027-60 Nut, Terminal Block 4450800 Screw, Ground 3400015 Screw, Ground</p> | <p><u>Miscellaneous</u></p> <p>9782676 Anti-Tip Assembly Filler, Counter Top W10113902A Black W10113903A White W10113901A Stainless</p> |

FOR ORDERING INFORMATION REFER TO PARTS PRICE LIST