

FOR ORDERING INFORMATION REFER TO PARTS PRICE LIST

COOKTOP PARTS

For Models: KESS907XSP01

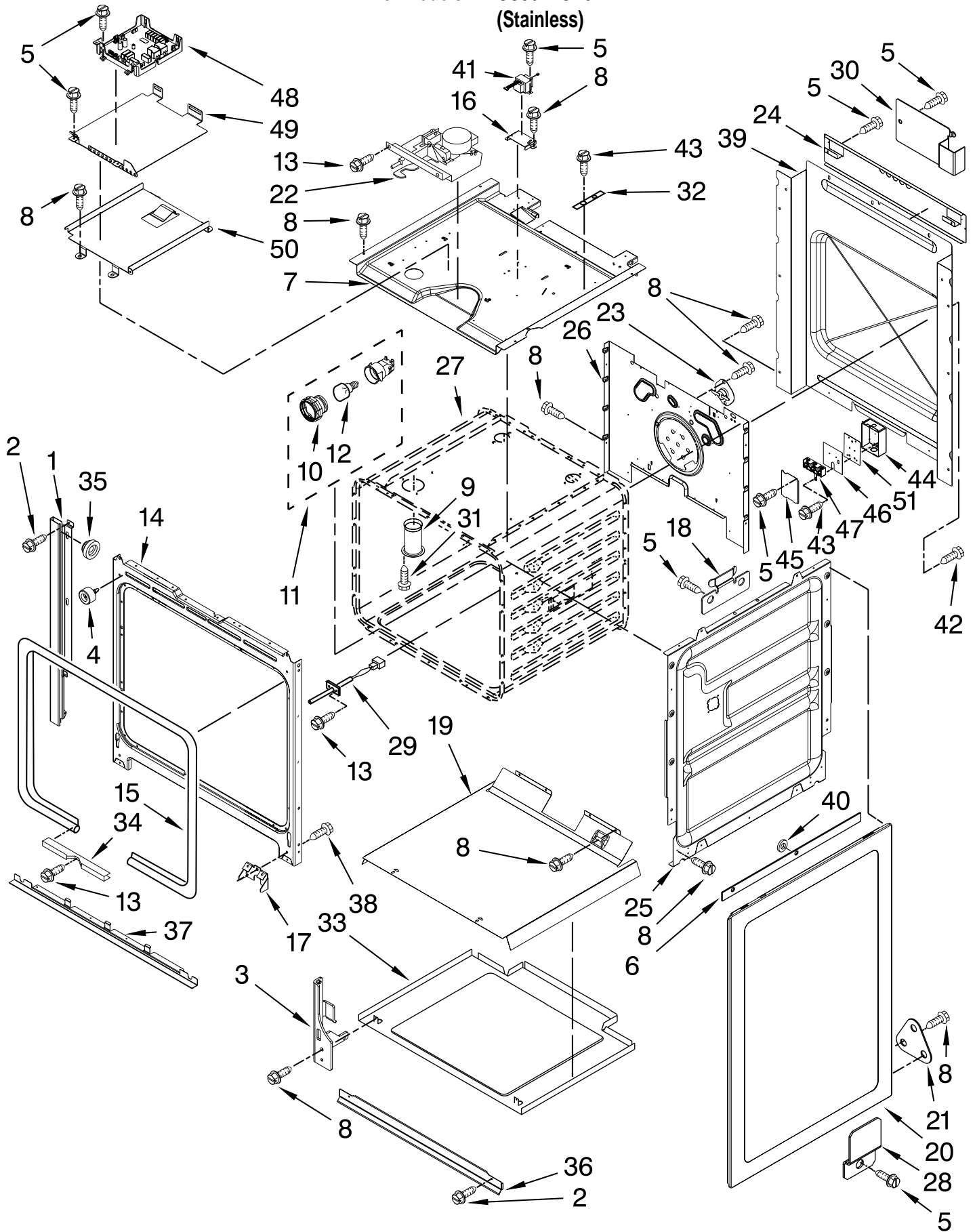
(Stainless)

| Illus. | Part | |
|---------------|-------------|---|
| No. | No. | DESCRIPTION |
| 1 | | Literature Parts |
| | W10246119 | Installation Instructions |
| | W10246111 | Use & Care Guide |
| | W10220962 | Tech Sheet |
| | 9763467 | Easy Set Guide |
| | 9757680 | Anti-Tip Instructions Safe Cooking Tips |
| | 9762761 | English |
| | W10065852 | French |
| | W10075750 | Instructions, Installer |
| 2 | 246119 | Screw |
| 3 | 9761422 | Frame, Cooktop Side |
| 4 | W10110271 | Cooktop |
| 5 | 9761724 | Cover, Cooktop Rear |
| 6 | 9763517 | Rail, Element |
| 7 | W10076030 | Gasket |
| 8 | 9761768 | Frame, Cooktop Rear |
| 9 | 9759944 | Thermostat |
| 10 | 9756821 | Support, Wiring |
| 11 | 9757825 | Rail, Element Center |
| 12 | | Element, Surface |
| | W10248257 | LR/1000W |
| | W10275049 | LF,RR/1200W |
| | 8273993 | RF/1800W |
| 13 | 9761423 | Frame, Cooktop Front |
| 14 | 3196537 | Screw |
| 15 | 341196 | Thermostat |
| 16 | 9759094 | Spring, Locator |
| 17 | 8523739 | Indicator Light, Hot Surface |
| 18 | 9758799 | Bracket, Indicator Light |

OVEN PARTS

For Models: KESS907XSP01

(Stainless)



FOR ORDERING INFORMATION REFER TO PARTS PRICE LIST

OVEN PARTS

For Models: KESS907XSP01
(Stainless)

| Illus. No. | Part No. | DESCRIPTION |
|------------|-------------|-------------------------|
| 1 | | Trim, Side |
| | W10140548 | Right |
| | W10140547 | Left |
| 2 | 3400832 | Screw |
| 3 | | Hinge Receiver |
| | 4455606 | Right |
| | 4455605 | Left |
| 4 | W10105790 | Bumper, Door |
| 5 | 3196537 | Screw |
| 6 | 9759722 | Insulation Body Side |
| 7 | 8303099 | Top Chassis |
| 8 | 7101P426-60 | Screw |
| 9 | 4452158 | Tube, Vent |
| 10 | W10067870 | Lens, Light |
| 11 | W10009930 | Oven Light, Assembly |
| 12 | 4452166 | Bulb, Light |
| 13 | 4449154 | Screw |
| 14 | W10115831 | Frame, Front |
| 15 | W10074200 | Gasket, Door |
| 16 | 9757829 | Bracket, Transformer |
| 17 | 4452152 | Bracket, Mounting |

| Illus. No. | Part No. | DESCRIPTION |
|------------|-----------|----------------------------------|
| 18 | 9757685 | Guide, Side Panel |
| 19 | 4451478 | Support, Insulation |
| 20 | W10281880 | Panel, Side |
| 21 | 9757461 | Bracket, Side Panel |
| 22 | W10195934 | Latch, Motorized |
| 23 | 9759242 | Thermostat |
| 24 | 9757811 | Brace, Side Panel |
| 25 | 4455641 | Side, Chassis |
| 26 | 9759761 | Back, Chassis |
| 27 | | Liner, Oven (Not Serviceable) |
| 28 | 9759890 | Clip, Side Panel |
| 29 | W10131825 | Sensor |
| 30 | 9759945 | Standoff, Rear |
| 31 | 3196176 | Screw |
| 32 | 9759885 | Pad, Insulation |
| 33 | 9759713 | Base, Chassis |
| 34 | 4448933 | Retainer, Gasket |
| 35 | 4448444 | Grommet, Mounting Rail |
| 36 | W10160347 | Vent, Bottom Upper |
| 37 | W10154789 | Vent, Bottom Lower |
| 38 | 4449743 | Screw |
| 39 | 9758583 | Cover, Back |

| Illus. No. | Part No. | DESCRIPTION |
|------------|-----------|-------------------------------|
| 40 | 9760481 | Washer |
| 41 | W10111628 | Transformer, Control |
| 42 | 3177991 | Screw |
| 43 | 3400080 | Screw |
| 44 | W10165135 | Box, Terminal |
| 45 | 9757405 | Cover, Terminal Box |
| 46 | 9759721 | Insulator, Terminal Box |
| 47 | W10245259 | Block, Terminal |
| 48 | W10181438 | Appliance, Manager |
| 49 | W10083460 | Slide, GOC |
| 50 | 9756454 | Bracket, Appliance Manager |
| 51 | 9759884 | Insulation |

**FOLLOWING PARTS
NOT ILLUSTRATED**

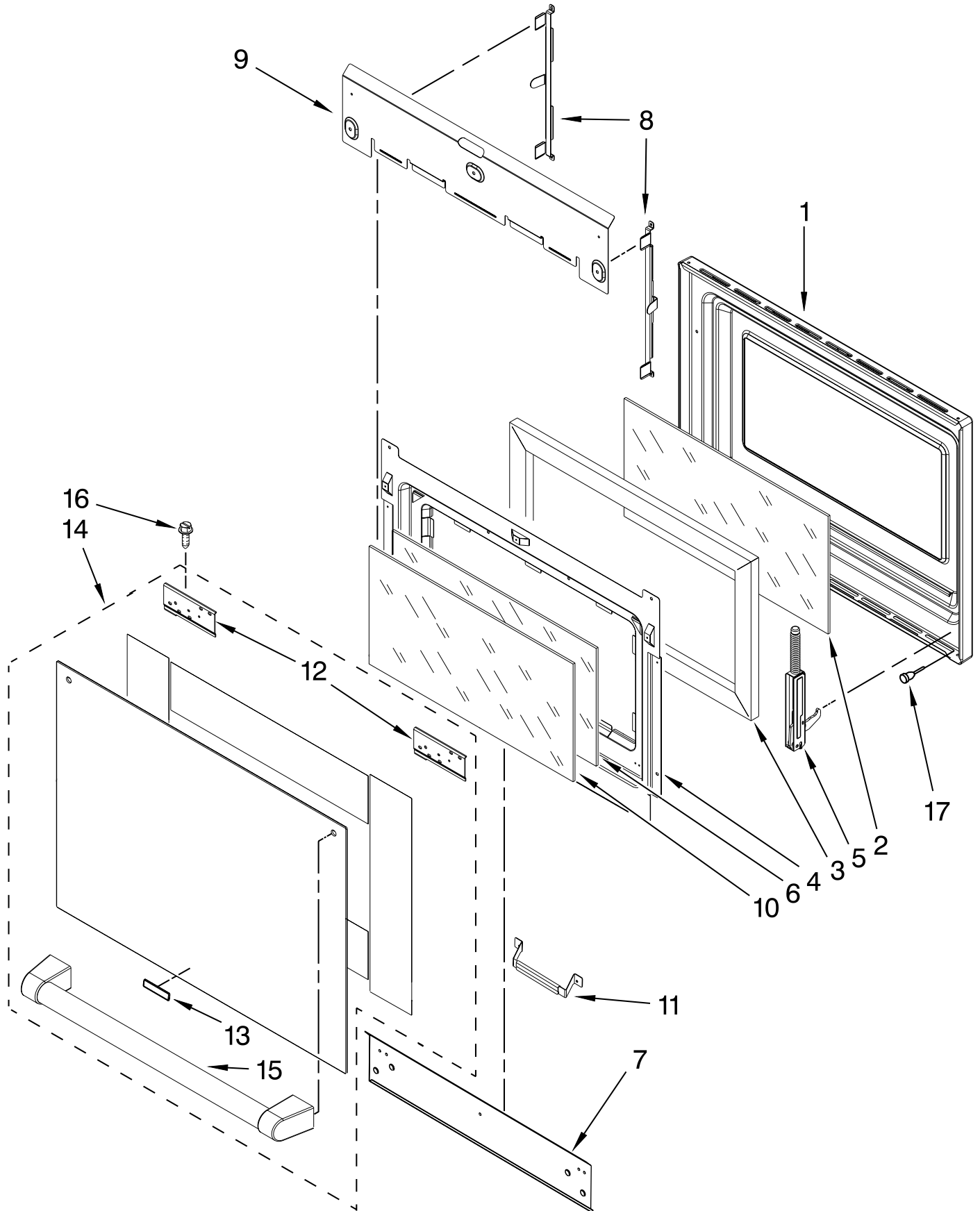
INSULATION

9756817 Insulation, Wrap
9756470 Insulation, Back

DOOR PARTS

For Models: KESS907XSP01

(Stainless)



FOR ORDERING INFORMATION REFER TO PARTS PRICE LIST

DOOR PARTS

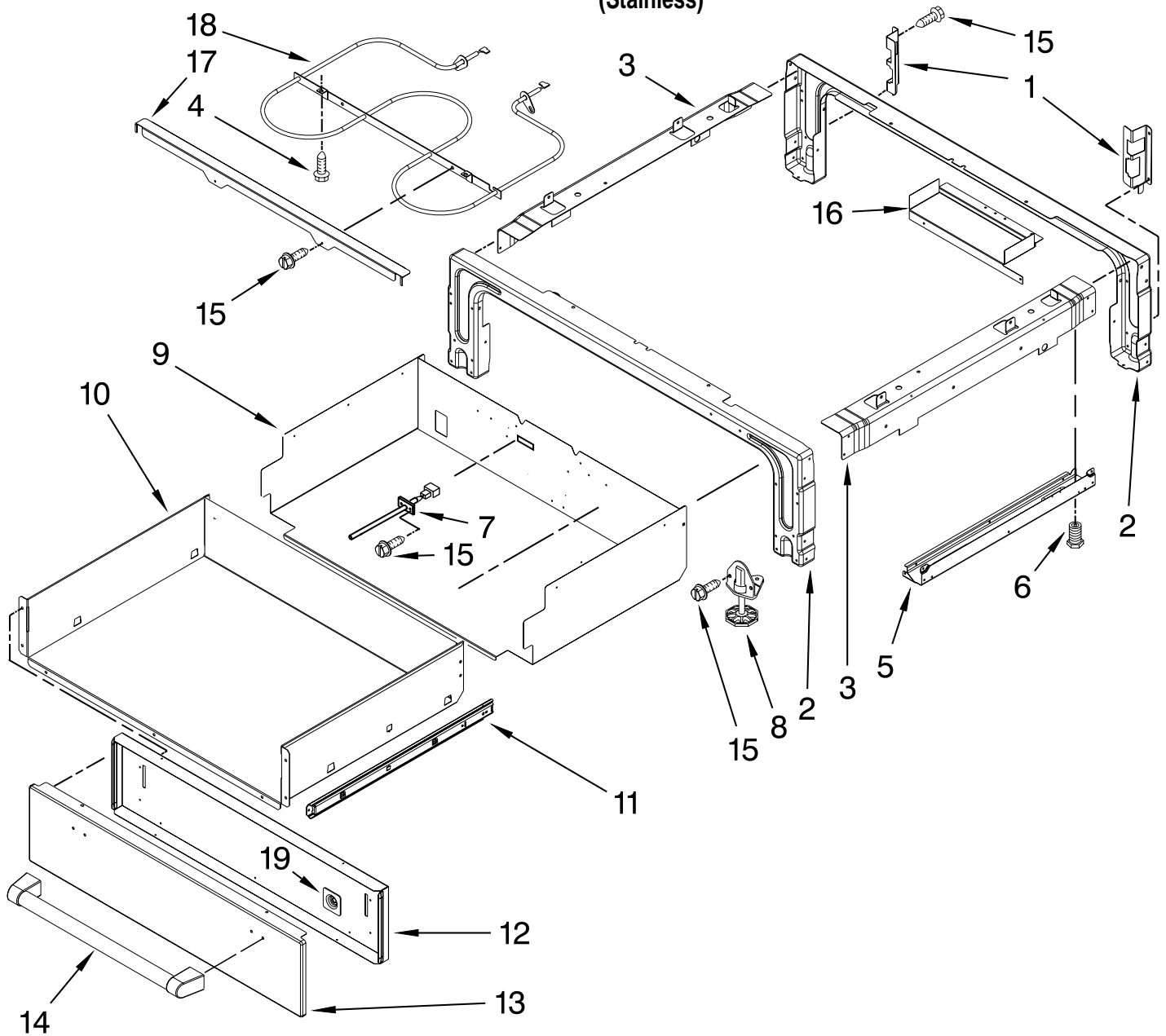
For Models: KESS907XSP01
(Stainless)

| Illus. No. | Part No. | DESCRIPTION |
|---------------|-------------|-------------------------|
| 1 | W10277749 | Panel, Door |
| 2 | 9757706 | Glass, Inner |
| 3 | 4451722 | Insulation, Door |
| 4 | 4457132 | Retainer, Glass |
| 5 | | Hinge, Oven Door |
| | 9760579 | Right |
| | 9760580 | Left |
| 6 | 9759225 | Glass, Inner |
| 7 | 4457114 | Shield, Heat Bottom |
| 8 | 9759229 | Bracket, Glass Side |
| 9 | 4457104 | Shield, Heat Top |
| 10 | 9759225 | Glass, Inner Door |
| 11 | 9759230 | Bracket, Central |
| 12 | | Bracket, Handle |
| | W10246114 | Right |
| | W10246113 | Left |
| 13 | W10320959 | Badge |
| 14 | W10246115 | Door Assembly, Outer |
| 15 | W10246102 | Handle, Door |
| 16 | 7101P068-60 | Screw |
| 17 | 4448520 | Bumper, Door |

DRAWER PARTS

For Models: KESS907XSP01

(Stainless)



| Illus. No. | Part No. | DESCRIPTION |
|------------|-------------|-----------------------|
| 1 | | Support, Drawer Rail |
| | 9757687 | Right |
| | 9757686 | Left |
| 2 | 9763501BL | Support, Front & Rear |
| 3 | | Brace, Drawer |
| | 4453720 | Right |
| | 4453721 | Left |
| 4 | 7101P434-60 | Screw |

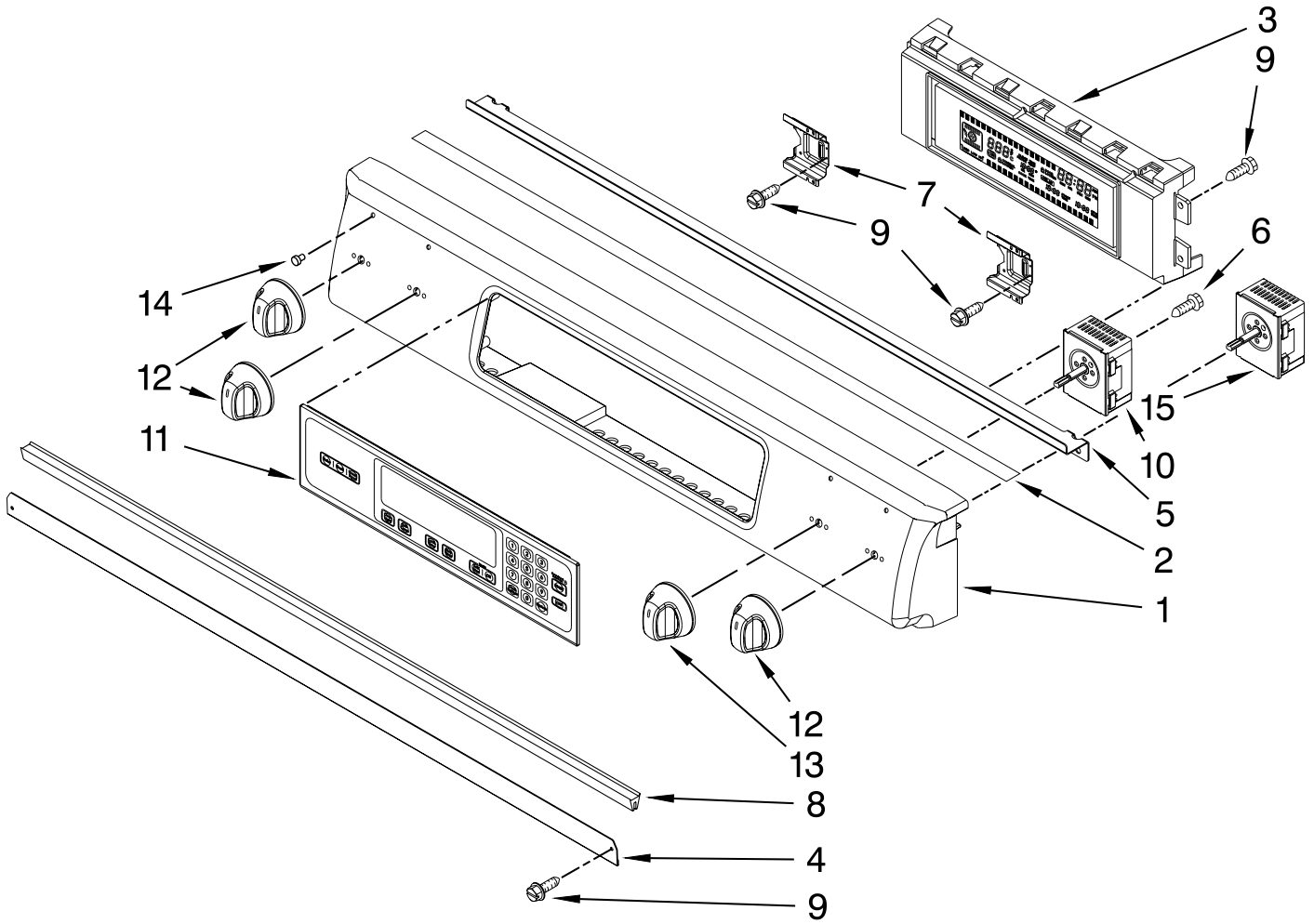
| Illus. No. | Part No. | DESCRIPTION |
|------------|-----------|---------------------------|
| 5 | | Side, Base |
| | 9759953 | Right |
| | 9759954 | Left |
| 6 | W10058460 | Foot |
| 7 | 8274149 | Thermistor |
| 8 | 3196037 | Foot Assembly |
| 9 | 9763518 | Enclosure, Warming Drawer |
| 10 | W10164163 | Drawer |
| 11 | | Drawer Slide |
| | W10155633 | Right |
| | W10155632 | Left |

| Illus. No. | Part No. | DESCRIPTION |
|------------|-------------|-------------------------|
| 12 | W10164169 | Panel, Drawer |
| 13 | W10246103 | Front, Drawer |
| 14 | W10246102 | Handle, Drawer |
| 15 | 3196537 | Screw |
| 16 | W10153100 | Cover, Terminal |
| 17 | 9758676 | Support, Element |
| 18 | W10207401 | Element, Warming Drawer |
| 19 | 3823F017-45 | Spacer, Handle |

FOR ORDERING INFORMATION REFER TO PARTS PRICE LIST

CONTROL PANEL PARTS

For Models: KESS907XSP01
(Stainless)



| Illus. No. | Part No. | DESCRIPTION |
|------------|-----------|----------------------|
| 1 | W10190662 | Control Panel |
| 2 | W10110246 | Gasket, Console |
| 3 | W10181439 | Control, Electric |
| 4 | W10105370 | Shield, Console Vent |
| 5 | W10117524 | Bracket, Console |
| 6 | W10061760 | Screw |

| Illus. No. | Part No. | DESCRIPTION |
|------------|-----------|---------------------|
| 7 | 9761745 | Bracket, Thermostat |
| 8 | W10116195 | Gasket, Vent Shield |
| 9 | 3196537 | Screw |
| 10 | 9763761 | Single Switch RF |
| 11 | 9761566 | Membrane, Switch |

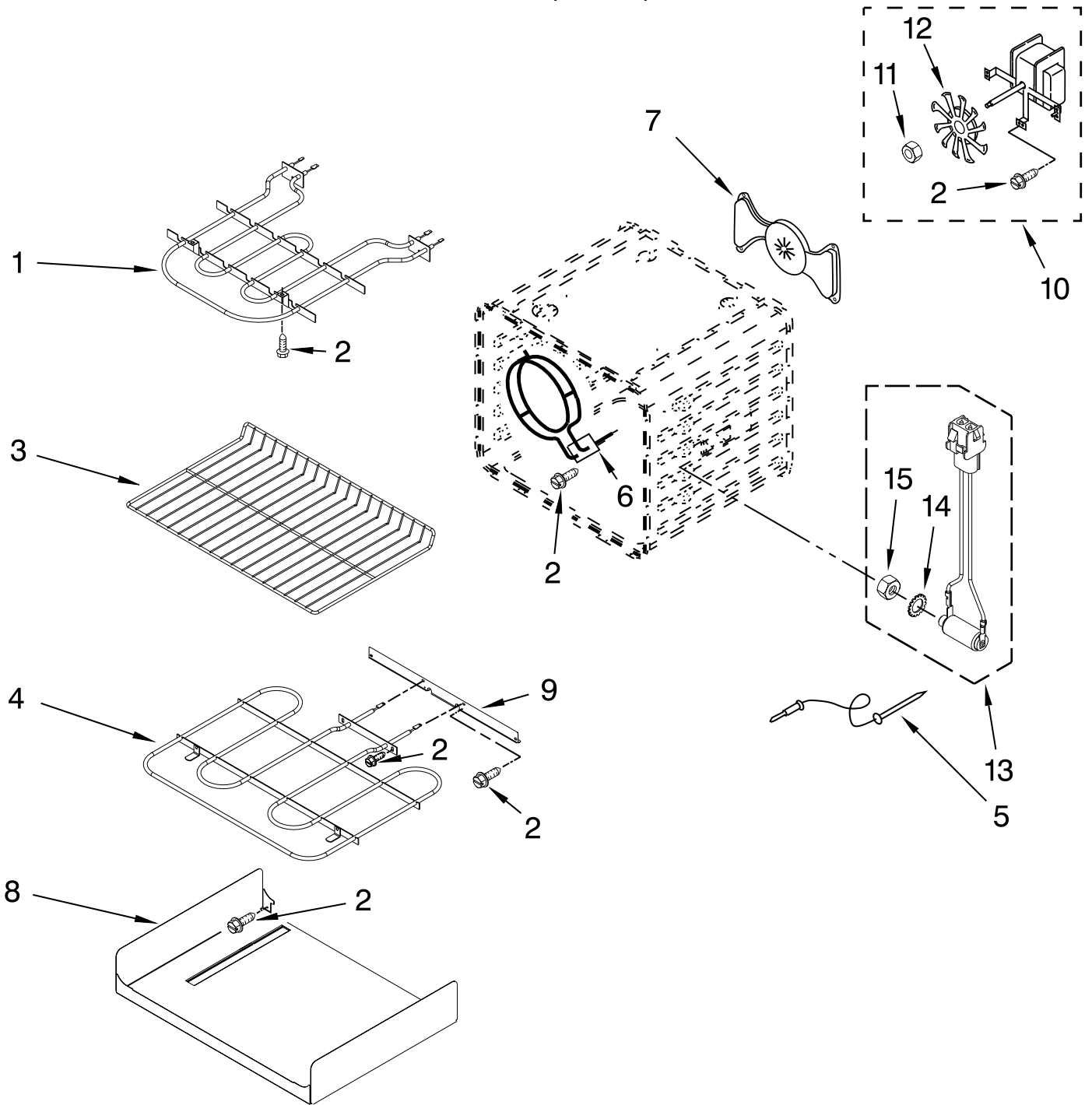
| Illus. No. | Part No. | DESCRIPTION |
|------------|-----------|-----------------------|
| 12 | W10246106 | Knob, Dual LF,LR,RR |
| 13 | W10246107 | Knob, Single RF |
| 14 | 3196068 | Lens, Indicator Light |
| 15 | 9763762 | Dual Switch LF,LR,RR |

FOR ORDERING INFORMATION REFER TO PARTS PRICE LIST

INTERNAL OVEN PARTS

For Models: KESS907XSP01

(Stainless)



| Illus. No. | Part No. | DESCRIPTION |
|------------|----------|-------------|
|------------|----------|-------------|

| | | |
|---|-----------|----------------|
| 1 | 9760774 | Element, Broil |
| 2 | 4449154 | Screw |
| 3 | W10179152 | Oven Rack |
| 4 | W10207398 | Bake Element |
| 5 | 9755542 | Meat Probe |

| Illus. No. | Part No. | DESCRIPTION |
|------------|----------|-------------|
|------------|----------|-------------|

| | | |
|----|-----------|---------------------|
| 6 | 9760769 | Element, Convection |
| 7 | W10160868 | Baffle |
| 8 | 4455037 | Tray, Hidden Bake |
| 9 | 4450039 | Cover, Bake Tray |
| 10 | W10116228 | Motor, Convection |

| Illus. No. | Part No. | DESCRIPTION |
|------------|----------|-------------|
|------------|----------|-------------|

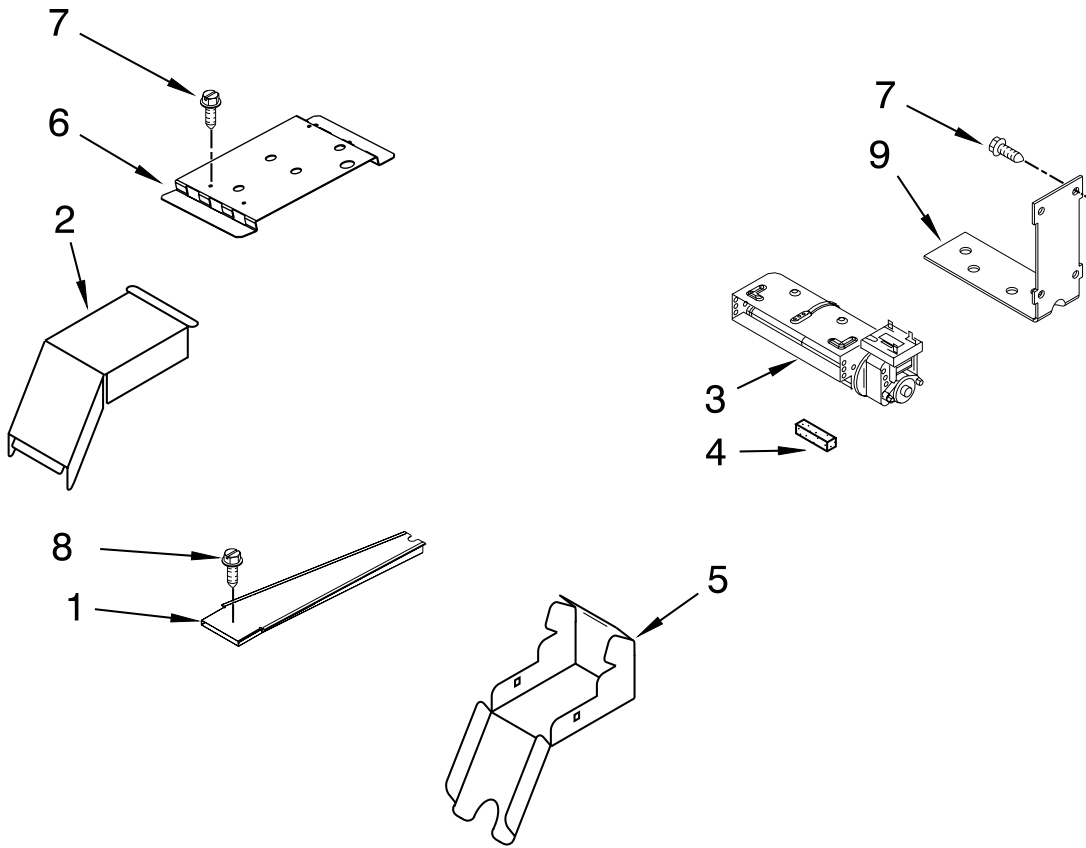
| | | |
|----|-----------|------------------|
| 11 | W10116349 | Acorn Nut |
| 12 | W10116351 | Blade, Fan |
| 13 | 9755543 | Jack, Meat Probe |
| 14 | 9755547 | Lock Washer |
| 15 | 9755546 | Hex Nut |

FOR ORDERING INFORMATION REFER TO PARTS PRICE LIST

TOP VENTING PARTS

For Models: KESS907XSP01

(Stainless)



| Illus. No. | Part No. | DESCRIPTION |
|------------|-------------|-----------------------|
| 1 | 4451759 | Vent, Exhaust |
| 2 | 4455178 | Elbow, Vent Top |
| 3 | 9759320 | Blower |
| 4 | 4451758 | Block, Foam |
| 5 | 4455177 | Elbow, Vent Bottom |
| 6 | W10143041 | Bracket, Terminal Box |
| 7 | 7101P426-60 | Screw |
| 8 | 4449040 | Screw |
| 9 | 4455352 | Bracket, Blower |

FOR ORDERING INFORMATION REFER TO PARTS PRICE LIST

OPTIONAL PARTS

For Models: KESS907XSP01

(Stainless)

| Illus. | Part | |
|---------------|-------------|--------------------|
| No. | No. | DESCRIPTION |

PAINT, TOUCH-UP (1/2oz.)

| | |
|--------|------------|
| 72017 | White |
| 261869 | Cord Brown |
| 72032 | Black |

PAINT, SPRAY

| | |
|--------|---------------|
| 350930 | White |
| 261900 | Citrine White |
| 830864 | Black |

ADHESIVE

| | |
|--------|-----------------------------|
| 482338 | Sealer, Silastic (3 oz.) |
|--------|-----------------------------|

WIRING HARNESS PARTS

| | |
|-------------|--|
| W10137680 | Harness, Main |
| W10198758 | Harness, Cooktop Electric |
| W10157935 | Harness, Switch |
| 9762921 | Harness, Communication |
| W10207713 | Bushing, Snap |
| 9763481 | Harness, Ground Strap Edge Protector |
| W10123242 | 19mm |
| W10127413 | 38mm |
| 313660 | Clip, Ground Wire |
| W10177363 | Grommet, Flex 60mm |
| W10237644 | Connector, Flex |
| 9757778 | Bushing, Snap, Split 1" |
| W10076020 | Gasket |
| 4449809 | Screw |
| 7103P027-60 | Nut |
| 4450800 | Screw, Ground |
| 3400015 | Screw, Ground |

Miscellaneous

| | |
|------------|------------------------|
| 9782676 | Anti-Tip Assembly |
| W10113901A | Filler, Counter Top |