

FOR ORDERING INFORMATION REFER TO PARTS PRICE LIST

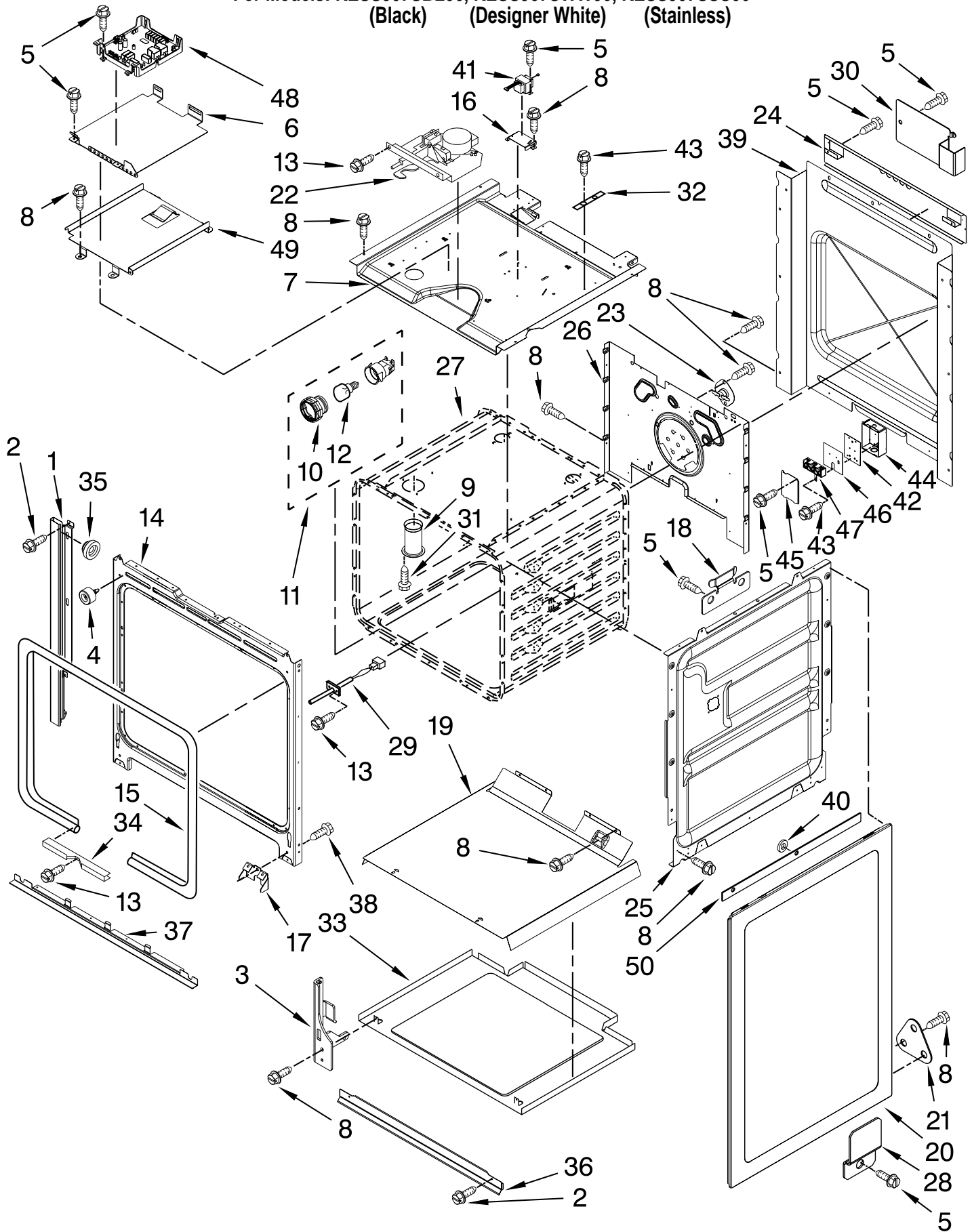
COOKTOP PARTS

For Models: KESS907SBL06, KESS907SWW06, KESS907SSS06
(Black) (Designer White) (Stainless)

| Illus. No. | Part No. | DESCRIPTION |
|-------------------|-----------------|--|
| 1 | | Literature Parts Installation Instructions |
| | W10440541 | English |
| | W10075750 | Bi-Lingual |
| | W10449874 | Use & Care Guide |
| | W10220962 | Tech Sheet |
| | 9763467 | Easy Set Guide Safe Cooking Tips |
| | 9762761 | English |
| | W10065852 | French |
| 2 | 246119 | Screw |
| 3 | 9761422 | Frame, Cooktop |
| 4 | | Cooktop |
| | W10110271 | Black/Stainless |
| | W10110269 | White |
| 5 | 9761724 | Cover, Cooktop Rear |
| 6 | 9763517 | Rail, Element |
| 7 | W10076030 | Gasket |
| 9 | 9759944 | Thermostat |
| 10 | 9756821 | Support, Wiring |
| 11 | 9757825 | Rail, Element Center |
| 12 | | Element, Surface |
| | W10248257 | LR (1800/1000W) |
| | W10275049 | LF/RR (2500/1200W) |
| | 8273993 | RF (1800W) |
| 13 | 9761423 | Frame, Cooktop Front |
| 14 | 3196537 | Screw |
| 15 | 341196 | Thermostat |
| 16 | 9759094 | Spring, Locator |
| 17 | 8523739 | Indicator Light, Hot Surface |
| 18 | 9758799 | Bracket, Indicator Light |
| 19 | 9761768 | Frame, Cooktop Rear |

OVEN PARTS

For Models: KESS907SBL06, KESS907SWW06, KESS907SSS06
(Black) (Designer White) (Stainless)



FOR ORDERING INFORMATION REFER TO PARTS PRICE LIST

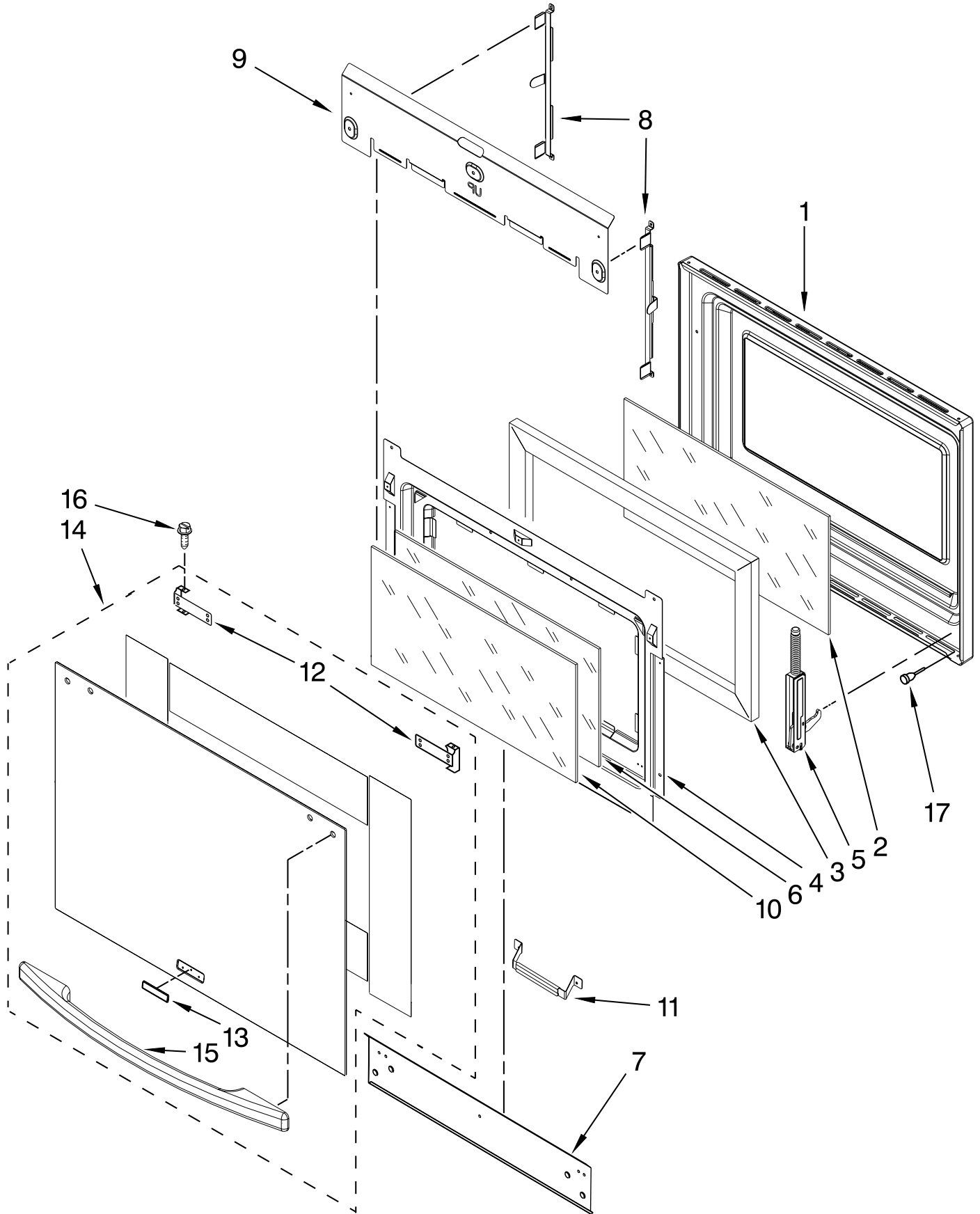
OVEN PARTS

For Models: KESS907SBL06, KESS907SWW06, KESS907SSS06
(Black) (Designer White) (Stainless)

| Illus. No. | Part No. | DESCRIPTION | Illus. No. | Part No. | DESCRIPTION | Illus. No. | Part No. | DESCRIPTION |
|------------|-------------|----------------------|------------|-----------|--------------------------------|--|-----------|----------------------------|
| 1 | | Trim, Side Right | 18 | 9757685 | Guide, Side Panel | 38 | W10292297 | Screw |
| | W10109540 | Black | 19 | 4451478 | Support, Insulation Body, Side | 39 | 9758583 | Cover, Back |
| | W10109570 | White | 20 | | | 40 | 9760481 | Washer |
| | W10140548 | Stainless | | W10281880 | Black/Stainless | 41 | W10111628 | Transformer, Control |
| | | Left | | W10281881 | White | 42 | 9759884 | Insulation |
| | W10109490 | Black | 21 | 9757461 | Bracket, Side Panel | 43 | 3400080 | Screw |
| | W10109520 | White | 22 | W10195934 | Latch, Motorized | 44 | W10165135 | Box, Terminal |
| | W10140547 | Stainless | 23 | 9759242 | Thermostat | 45 | 9757405 | Cover, Terminal Box |
| 2 | 3400832 | Screw | 24 | 9757811 | Brace, Side Panel | 46 | 9759721 | Insulator, Terminal Box |
| 3 | | Hinge Receiver Right | 25 | 4455641 | Side, Chassis | 47 | W10245259 | Block, Terminal |
| | 4455606 | Right | 26 | 9759761 | Back, Chassis | 48 | W10181438 | Appliance, Manager |
| | 4455605 | Left | 27 | | Liner, Oven (Not Serviceable) | 49 | 9756454 | Bracket, Appliance Manager |
| 4 | W10105790 | Bumper, Door | 28 | 9759890 | Clip, Side Panel | 50 | 9759722 | Insulation, Body Side |
| 5 | 3196537 | Screw | 29 | W10131825 | Sensor | FOLLOWING PARTS NOT ILLUSTRATED | | |
| 6 | W10083460 | GOC, Slide | 30 | 9759945 | Standoff, Rear | INSULATION | | |
| 7 | 8303099 | Top Chassis | 31 | 3196176 | Screw | | 9756817 | Insulation, Wrap |
| 8 | 7101P426-60 | Screw | 32 | 9759885 | Pad, Insulation | | 9756470 | Insulation, Back |
| 9 | 4452158 | Tube, Vent | 33 | 9759713 | Base, Chassis | | | |
| 10 | W10067870 | Lens, Light | 34 | 4448933 | Retainer, Gasket | | | |
| 11 | W10009930 | Oven Light, Assembly | 35 | 4448444 | Grommet, Mounting Rail | | | |
| 12 | 4452166 | Bulb, Light | 36 | | Vent, Bottom Upper | | | |
| 13 | 4449154 | Screw | | 9756481BL | Black | | | |
| 14 | W10115831 | Frame, Front | | 9756481WH | White | | | |
| 15 | W10074200 | Gasket, Door | | W10140533 | Stainless | | | |
| 16 | 9757829 | Bracket, Transformer | 37 | | Vent, Bottom Lower | | | |
| 17 | 4452152 | Bracket, Mounting | | W10153486 | Black | | | |
| | | | | W10153488 | White | | | |
| | | | | W10154789 | Stainless | | | |

DOOR PARTS

For Models: KESS907SBL06, KESS907SWW06, KESS907SSS06
(Black) (Designer White) (Stainless)



FOR ORDERING INFORMATION REFER TO PARTS PRICE LIST

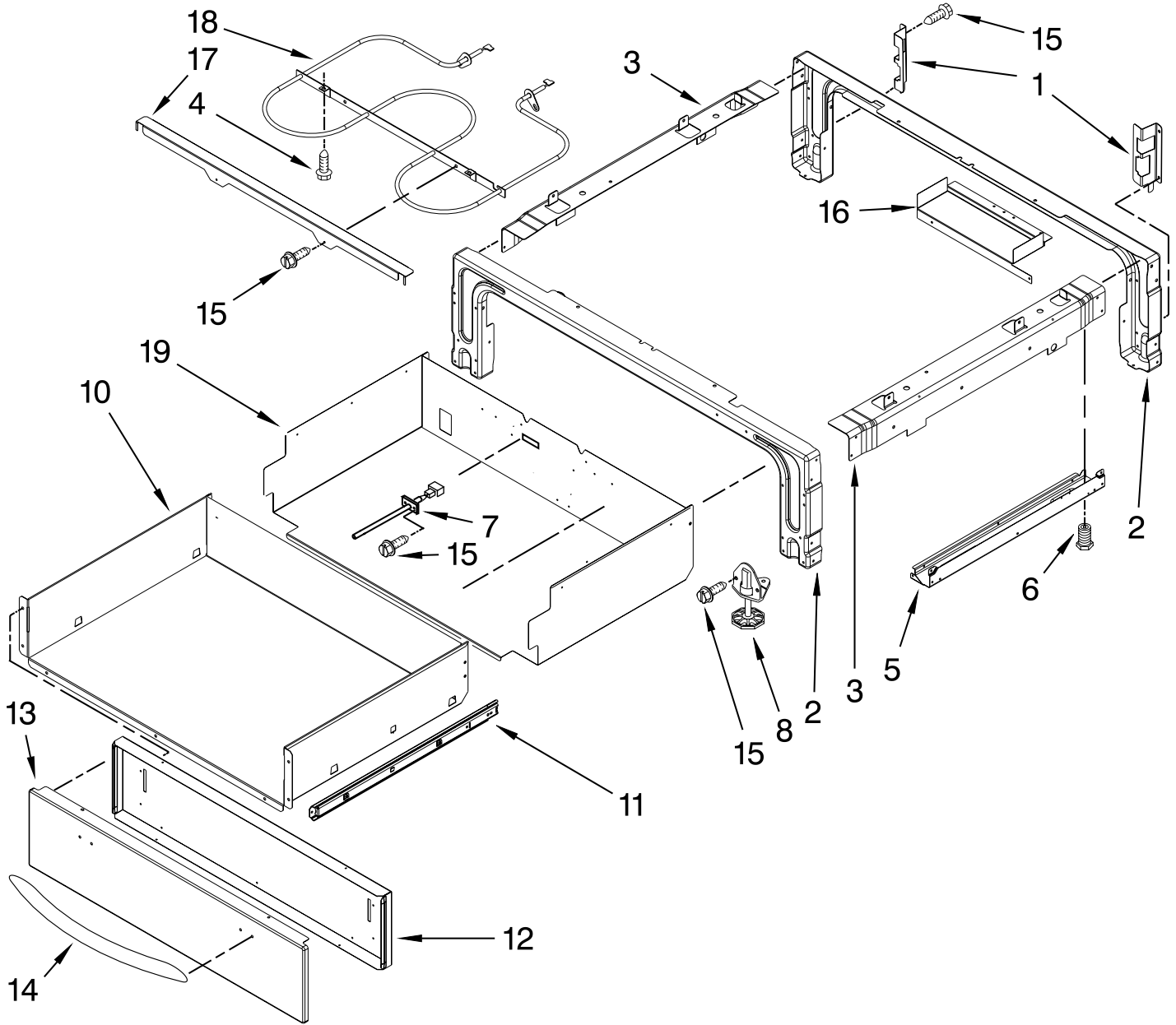
DOOR PARTS

For Models: KESS907SBL06, KESS907SWW06, KESS907SSS06
 (Black) (Designer White) (Stainless)

| Illus. No. | Part No. | DESCRIPTION |
|------------|-----------|---------------------|
| 1 | W10277749 | Panel, Door |
| 2 | 9757706 | Glass, Inner |
| 3 | 4451722 | Insulation, Door |
| 4 | 4457132 | Retainer, Glass |
| 5 | | Hinge, Oven Door |
| | 9760579 | Right |
| | 9760574 | Left |
| 6 | 9759225 | Glass, Inner |
| 7 | 4457114 | Shield, Heat Bottom |
| 8 | 9759229 | Bracket, Glass Side |
| 9 | 4457104 | Shield, Heat Top |
| 10 | 9759225 | Glass, Inner Door |
| 11 | 9759230 | Bracket, Central |
| 12 | | Bracket, Handle |
| | W10246114 | Right |
| | W10246113 | Left |
| 13 | | Nameplate |
| | W10243392 | Black |
| | W10243393 | White |
| | W10243391 | Stainless |
| 14 | | Assembly, Door Kit |
| | W10131888 | Black |
| | W10131889 | White |
| | W10155557 | Stainless |
| 15 | | Handle, Door |
| | W10448671 | Black |
| | W10292382 | White |
| | W10292380 | Stainless |
| 16 | 3196184 | Screw |
| 17 | 4448520 | Bumper, Door |

DRAWER PARTS

For Models: KESS907SBL06, KESS907SWW06, KESS907SSS06
(Black) (Designer White) (Stainless)



| Illus. No. | Part No. | DESCRIPTION |
|------------|-----------|-----------------------|
| 1 | | Support, Drawer Rail |
| | 9757687 | Right |
| | 9757686 | Left |
| 2 | 9763501BL | Support, Front & Rear |
| 3 | | Brace, Drawer |
| | 4453720 | Right |
| | 4453721 | Left |
| 4 | W10162096 | Screw |
| 5 | | Side, Base |
| | 9759953 | Right |
| | 9759954 | Left |

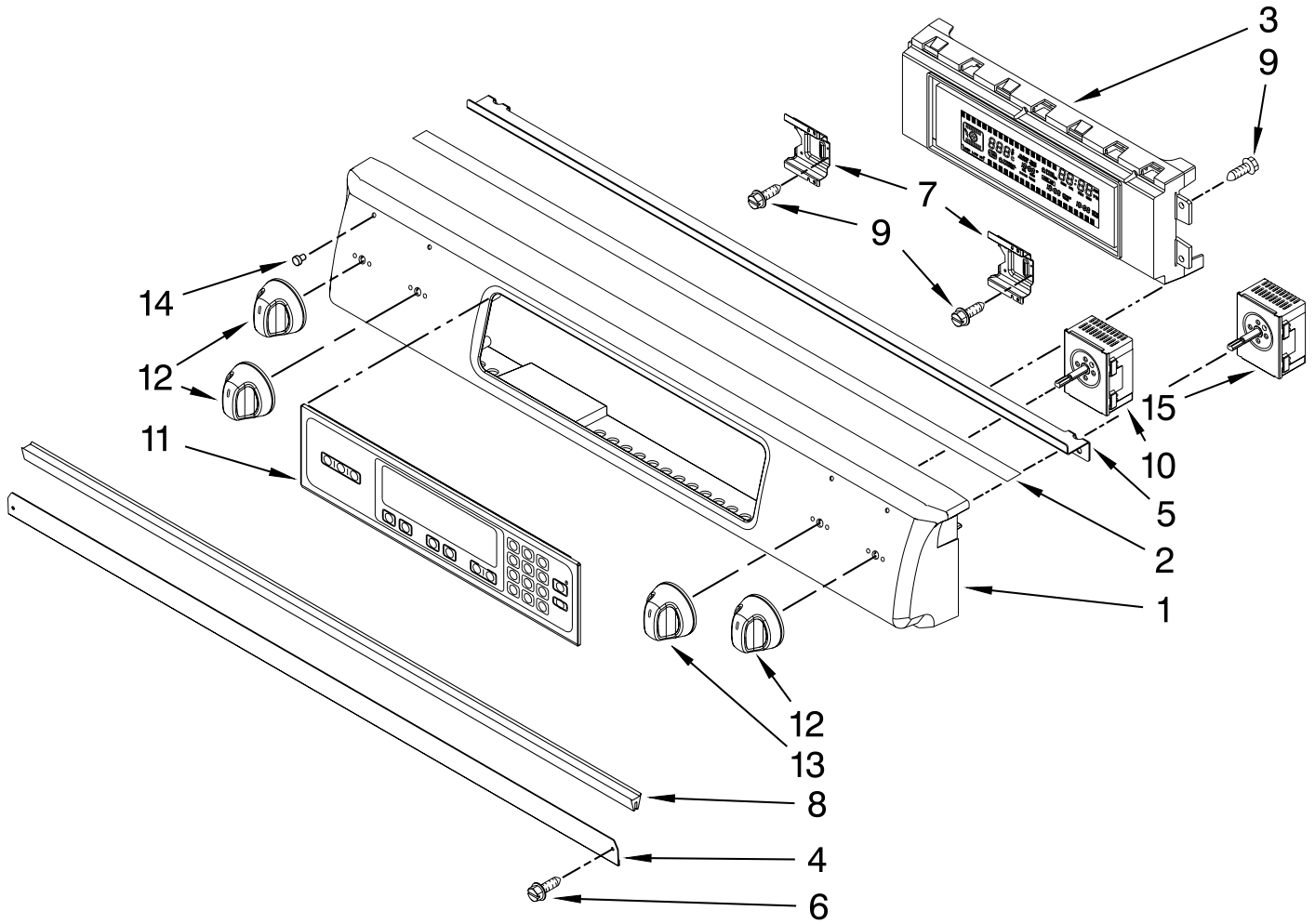
| Illus. No. | Part No. | DESCRIPTION |
|------------|-----------|---------------|
| 6 | W10058460 | Foot |
| 7 | 8274149 | Thermistor |
| 8 | 3196037 | Foot Assembly |
| 10 | W10164163 | Drawer |
| 11 | | Drawer Slide |
| | W10155633 | Right |
| | W10155632 | Left |
| 12 | W10164169 | Panel, Drawer |
| 13 | | Front, Drawer |
| | W10203760 | Black |
| | W10203762 | White |
| | W10203763 | Stainless |

| Illus. No. | Part No. | DESCRIPTION |
|------------|-----------|---------------------------|
| 14 | | Handle, Drawer |
| | W10292375 | Black |
| | W10292379 | White |
| | W10292374 | Stainless |
| 15 | 3196537 | Screw |
| 16 | W10153100 | Cover, Terminal |
| 17 | 9758676 | Support, Element |
| 18 | W10207401 | Element, Warming Drawer |
| 19 | 9763518 | Enclosure, Warming Drawer |

FOR ORDERING INFORMATION REFER TO PARTS PRICE LIST

CONTROL PANEL PARTS

For Models: KESS907SBL06, KESS907SWW06, KESS907SSS06
 (Black) (Designer White) (Stainless)



| Illus. No. | Part No. | DESCRIPTION |
|------------|-----------|----------------------|
| 1 | | Control Panel |
| | W10190660 | Black |
| | W10190661 | White |
| | W10190662 | Stainless |
| 2 | W10110246 | Gasket, Console |
| 3 | W10181439 | Control, Electric |
| 4 | W10105370 | Shield, Console Vent |
| 5 | W10117524 | Bracket, Console |
| 6 | W10061760 | Screw |
| 7 | 9761745 | Bracket, Thermostat |

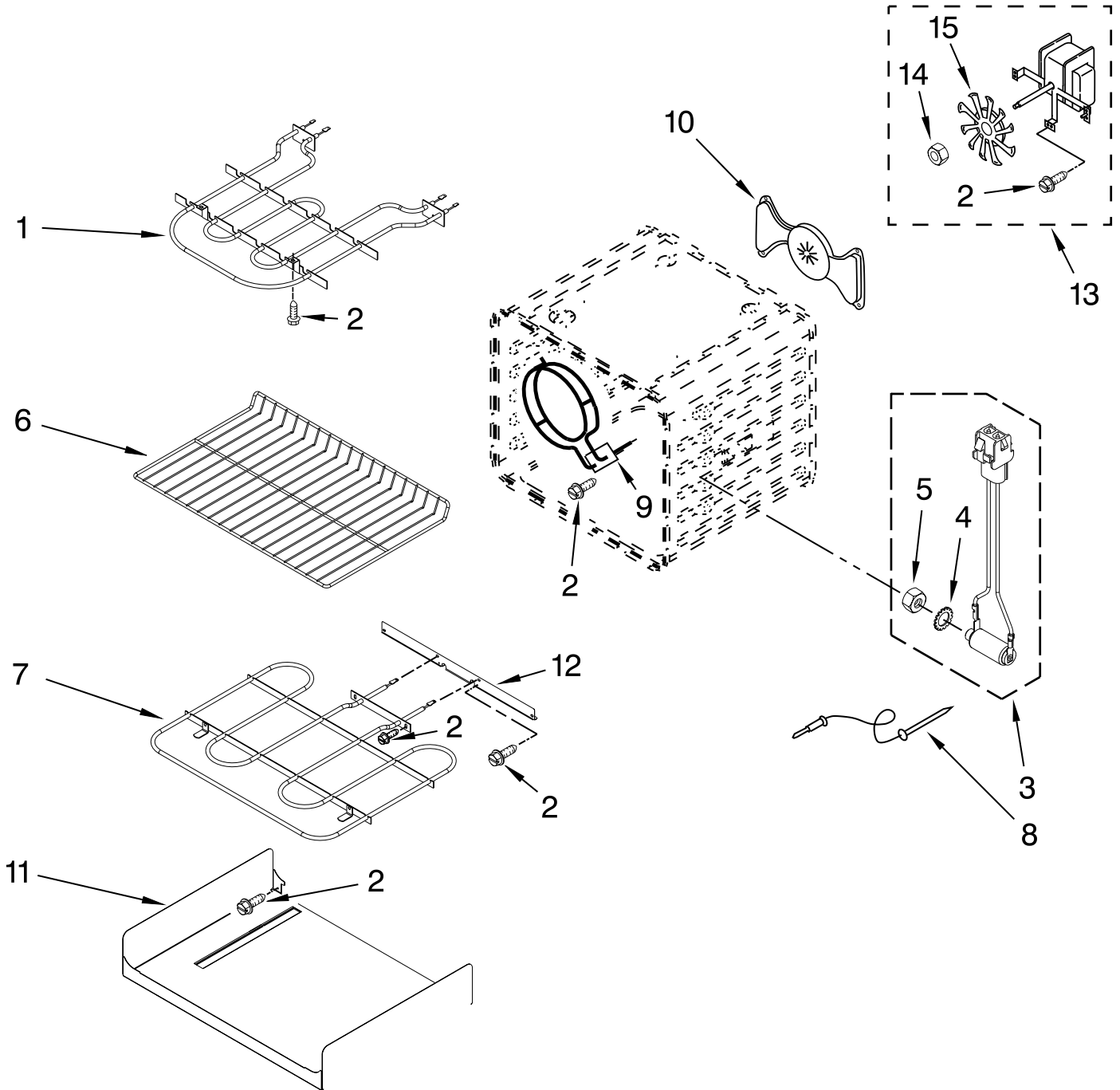
| Illus. No. | Part No. | DESCRIPTION |
|------------|-----------|---------------------------|
| 8 | W10116195 | Gasket, Vent Shield |
| 9 | 3196537 | Screw |
| 10 | 9763761 | Single Switch (RF) |
| 11 | 9761566 | Membrane, Switch |
| 12 | | Knob, Smart Dual LF,LR,RR |
| | W10193255 | Black |
| | W10193253 | White |
| | W10156260 | Stainless |

| Illus. No. | Part No. | DESCRIPTION |
|------------|-----------|-----------------------|
| 13 | | Knob, Smart Single RF |
| | W10193259 | Black |
| | W10193257 | White |
| | W10156261 | Stainless |
| 14 | 3196068 | Lens, Indicator Light |
| 15 | 9763762 | Dual Switch LF,LR,RR |

FOR ORDERING INFORMATION REFER TO PARTS PRICE LIST

INTERNAL OVEN PARTS

For Models: KESS907SBL06, KESS907SWW06, KESS907SSS06
(Black) (Designer White) (Stainless)



| Illus. No. | Part No. | DESCRIPTION |
|------------|-----------|------------------|
| 1 | 9760774 | Element, Broil |
| 2 | 4449154 | Screw |
| 3 | 9755543 | Jack, Meat Probe |
| 4 | 9755547 | Lock Washer |
| 5 | 9755546 | Hex Nut |
| 6 | W10179152 | Rack, Oven |

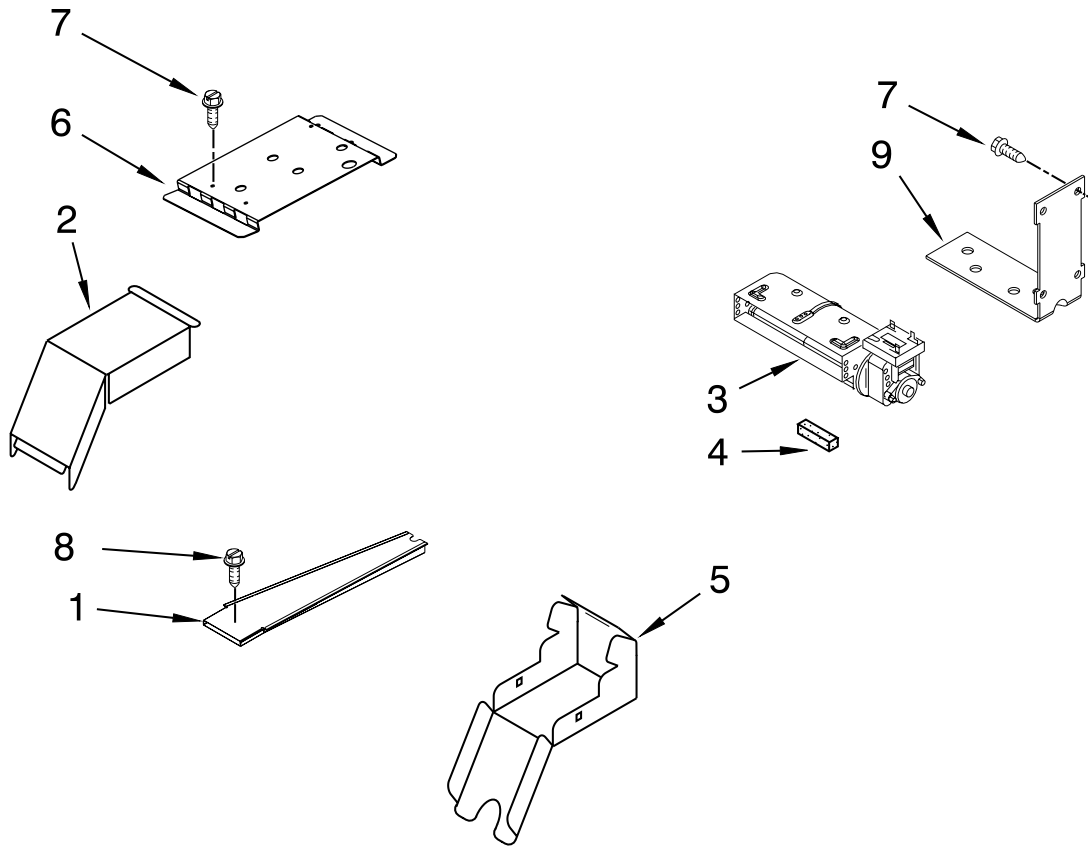
| Illus. No. | Part No. | DESCRIPTION |
|------------|-----------|----------------------|
| 7 | W10207398 | Element, Hidden Bake |
| 8 | 9755542 | Probe, Meat |
| 9 | 9760769 | Element, Convection |

| Illus. No. | Part No. | DESCRIPTION |
|------------|-----------|--------------------|
| 10 | W10160868 | Baffle, Convection |
| 11 | 4455037 | Tray, Hidden Bake |
| 12 | 4450039 | Cover, Bake Tray |
| 13 | W10116228 | Motor, Convection |
| 14 | W10116349 | Nut |
| 15 | W10116351 | Blade, Fan |

FOR ORDERING INFORMATION REFER TO PARTS PRICE LIST

TOP VENTING PARTS

For Models: KESS907SBL06, KESS907SWW06, KESS907SSS06
(Black) (Designer White) (Stainless)



| Illus. No. | Part No. | DESCRIPTION |
|------------|----------|-------------|
|------------|----------|-------------|

| | | |
|---|-------------|-----------------------|
| 1 | 4451759 | Vent, Exhaust |
| 2 | 4455178 | Elbow, Vent Top |
| 3 | 9759320 | Blower |
| 4 | 4451758 | Block, Foam |
| 5 | 4455177 | Elbow, Vent Bottom |
| 6 | W10143041 | Bracket, Terminal Box |
| 7 | 7101P426-60 | Screw |
| 8 | 4449040 | Screw |
| 9 | 4455352 | Bracket, Blower |

OPTIONAL PARTS

For Models: KESS907SBL06, KESS907SWW06, KESS907SSS06
(Black) (Designer White) (Stainless)

| Illus. | Part |
|---------------|------------------------|
| No. | No. DESCRIPTION |

PAINT, TOUCH-UP (1/2oz.)

72017 White
261869 Cord Brown
72032 Black

PAINT, SPRAY

350930 White
261900 Citrine White
830864 Black

ADHESIVE

482338 Sealer, Silastic
(3 oz.)

WIRING HARNESS PARTS

W10137680 Harness, Main
W10198758 Harness, Cooktop
W10157935 Harness, Switch
9762921 Harness,
Communication
W10207713 Bushing, Snap
9763481 Harness, Ground
Strap
Edge Protector
W10123242 19mm
W10127413 38mm
W10177363 Grommet, Flex 60mm
9757778 Bushing, Snap
Split 1"
W10076020 Gasket
4449809 Screw
7103P027-60 Nut
W10237644 Connector, Flex
4450800 Screw, Ground
3400015 Screw, Ground

Miscellaneous

W10306542 Anti-Tip Assembly
Filler, Counter
Top
W10113902A Black
W10113903A White
W10113901A Stainless