

JENN-AIR. 30" (76.2cm) and 36" (91.4cm) Wall-Mount Canopy Range Hood

PRODUCT MODEL NUMBERS

JXW5030W
JXW5036W

ELECTRICAL REQUIREMENTS

- A 120 Volt, 60 Hz., AC only, 15-amp, fused electrical circuit is required.

VENTING REQUIREMENTS

This canopy hood is factory set for venting through the roof or wall.

A 8" (20.0 cm) round vent system is needed for installation (not included). The hood exhaust opening is 8" (20.0 cm) round.

NOTE: Flexible vent is not recommended. Flexible vent creates back pressure and air turbulence that greatly reduce performance.

Vent system can terminate either through the roof or wall. To vent through a wall, a 90° elbow is needed.

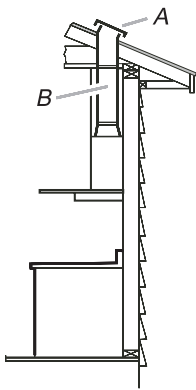
Rear discharge

A 90° elbow may be installed immediately above the hood.

For Non-Vented (recirculating) Installations

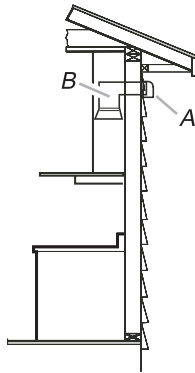
If it is not possible to vent cooking fumes and vapors to the outside, the hood can be used in the non-vented (recirculating) version, fitting a charcoal filter and the deflector. Fumes and vapors are recycled through the top grille.

Roof Venting



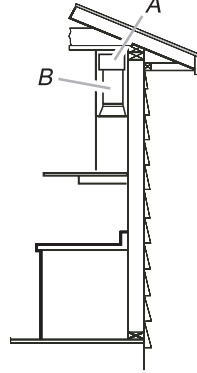
A. Roof cap
B. 8" (20.0 cm) round vent

Wall Venting



A. Wall cap
B. 8" (20.0 cm) round vent

Non-vented (recirculating)





A. Deflector
B. 8" (20.0 cm) round vent

NOTE: Wall venting may not be possible for all installations.

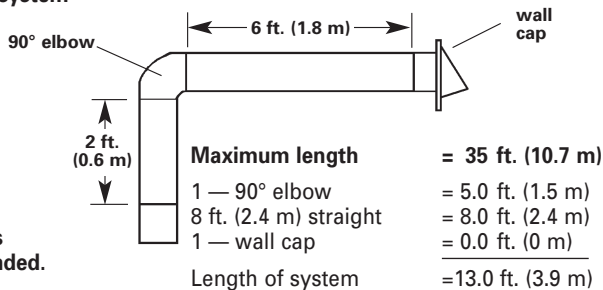
Calculating Vent System Length

To calculate the length of the system you need, add the equivalent feet (meters) for each vent piece used in the system.

| Vent Piece | 8" (20.0 cm) Round |
|------------|--|
| 45° elbow | 2.5 ft (0.8 m)  |
| 90° elbow | 5.0 ft (1.5 m)  |

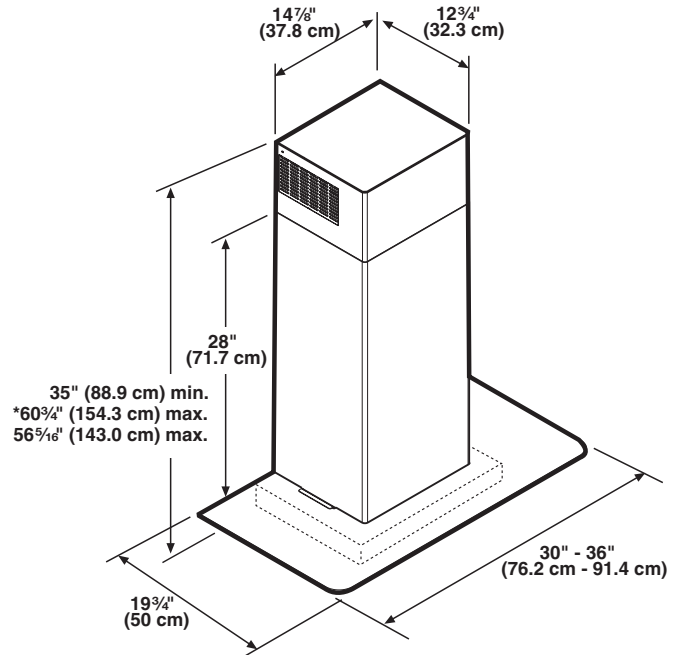
Maximum equivalent vent length is 35 ft (10.7 m).

Example vent system



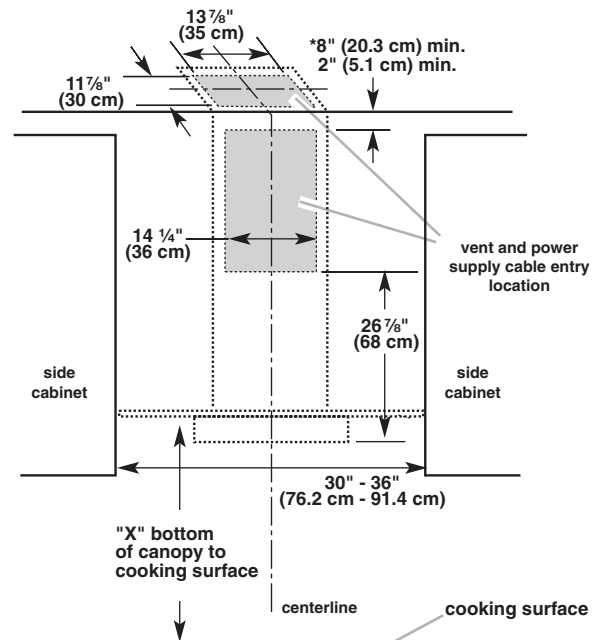
Note:
Flexible vent is Not recommended.

PRODUCT DIMENSIONS



*For non-vented (recirculating) installations

INSTALLATION DIMENSIONS



*For non-vented (recirculating) installations

IMPORTANT:

Minimum distance "X": 24" (61.0 cm) from electric cooking surface.

Minimum distance "X": 27" (68.6 cm) from gas cooking surfaces.

Suggested maximum distance "X": 36" (91.4 cm)

For vented installations, the chimneys can be adjusted for ceilings between 8' (2.44 m) and 10' 2" (3.1 m).

For non-vented (recirculating) installations, the chimneys can be adjusted for ceilings between 8' (2.44 m) and 10' 6" (3.2 m).

***NOTE:** The range hood chimneys are adjustable and designed to meet varying ceiling or soffit heights depending on the distance "X" between the bottom of the range hood and the cooking surface. For higher ceilings, a Stainless Steel Chimney Extension Kit Part Number W10272071 is available from your dealer or an authorized parts distributor. The chimney extension replaces the upper chimney shipped with the range hood.