

LP GAS CONVERSION INSTRUCTIONS

Conversion Kit 400010467292

INSTRUCTIONS DE CONVERSION POUR L'ALIMENTATION AU PROPANE

Ensemble de conversion n° 400010467292

Table of Contents / Table des matières

LP GAS CONVERSION SAFETY.....	1	SÉCURITÉ DE LA CONVERSION POUR L'ALIMENTATION AU PROPANE.....	9
GAS CONVERSIONS	3	CONVERSIONS POUR L'ALIMENTATION AU PROPANE.....	10
Tools and Parts.....	3	Outillage et pièces	10
Convert from Natural Gas to LP Gas	3	Conversion de Gaz naturel à Propane	10
Convert from LP Gas to Natural Gas	6	Conversion de Propane au Gaz naturel	13
Lighting the Electronic Igniters.....	7	Allumeurs électroniques - allumage.....	14
Flame Height Adjustment - Natural Gas Only.....	8	Réglage de la taille des flammes - gaz naturel seulement	15
Complete Burner Adjustment.....	8	Achever le réglage des brûleurs.....	15

LP GAS CONVERSION SAFETY

Your safety and the safety of others are very important.

We have provided many important safety messages in this manual and on your appliance. Always read and obey all safety messages.



This is the safety alert symbol.

This symbol alerts you to potential hazards that can kill or hurt you and others.

All safety messages will follow the safety alert symbol and either the word "DANGER" or "WARNING."

These words mean:

⚠ DANGER

You can be killed or seriously injured if you don't immediately follow instructions.

⚠ WARNING

You can be killed or seriously injured if you don't follow instructions.

All safety messages will tell you what the potential hazard is, tell you how to reduce the chance of injury, and tell you what can happen if the instructions are not followed.

IMPORTANT:

Save for local electrical inspector's use.

Installer: Leave installation instructions with the homeowner.

Homeowner: Keep installation instructions for future reference.

IMPORTANT :

À conserver pour consultation par l'inspecteur local des installations électriques.

Installateur : Remettre les instructions d'installation au propriétaire.

Propriétaire : Conserver les instructions d'installation pour référence ultérieure.

WARNING: If the information in this manual is not followed exactly, a fire or explosion may result causing property damage, personal injury or death.

- Do not store or use gasoline or other flammable vapors and liquids in the vicinity of this or any other appliance.
- **WHAT TO DO IF YOU SMELL GAS:**
 - Do not try to light any appliance.
 - Do not touch any electrical switch.
 - Do not use any phone in your building.
 - Immediately call your gas supplier from a neighbor's phone. Follow the gas supplier's instructions.
 - If you cannot reach your gas supplier, call the fire department.
- Installation and service must be performed by a qualified installer, service agency or the gas supplier.

WARNING: Gas leaks cannot always be detected by smell.

Gas suppliers recommend that you use a gas detector approved by UL or CSA.

For more information, contact your gas supplier.

If a gas leak is detected, follow the "What to do if you smell gas" instructions.

In the State of Massachusetts, the following installation instructions apply:

- Installations and repairs must be performed by a qualified or licensed contractor, plumber, or gasfitter qualified or licensed by the State of Massachusetts.
- If using a ball valve, it shall be a T-handle type.
- A flexible gas connector, when used, must not exceed 3 feet.

GAS CONVERSIONS

Tools and Parts

Gather the required tools and parts necessary for correct LP gas conversion.

Tools needed

- Flat-blade screwdriver
- 7 mm nut driver

Parts supplied

- LP orifice package (400010467292)
- Conversion instructions (501931902099)
- Conversion label (461960247361)

IMPORTANT: Gas conversions from Natural gas to LP gas must be done by a qualified installer. Before proceeding with conversion, shut off the gas supply to the cooktop prior to disconnecting the electrical power.

WARNING

This conversion kit shall be installed by a qualified service agency in accordance with the manufacturer's instructions and all applicable codes and requirements of the authority having jurisdiction. If the information in these instructions is not followed exactly, a fire, explosion or production of carbon monoxide may result causing property damage, personal injury or loss of life. The qualified service agency is responsible for the proper installation of this kit. The installation is not proper and complete until the operation of the converted appliance is checked as specified in the manufacturer's instructions supplied with this kit.

⚠ WARNING



Explosion Hazard

**Use a new CSA International approved gas supply line.
Install a shut-off valve.**

Securely tighten all gas connections.

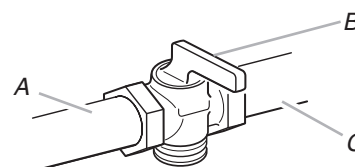
If connected to LP, have a qualified person make sure gas pressure does not exceed 14" (36 cm) water column.

**Examples of a qualified person include:
licensed heating personnel,
authorized gas company personnel, and
authorized service personnel.**

Failure to do so can result in death, explosion, or fire.

Convert from Natural Gas to LP Gas

1. Turn manual shutoff valve to the closed position.

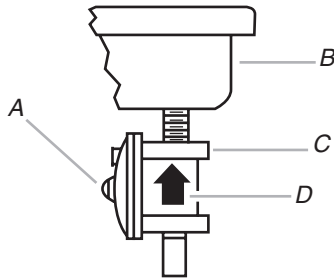


- A. To cooktop
- B. Shutoff valve (closed position)
- C. Gas supply line

2. Unplug cooktop or disconnect power.

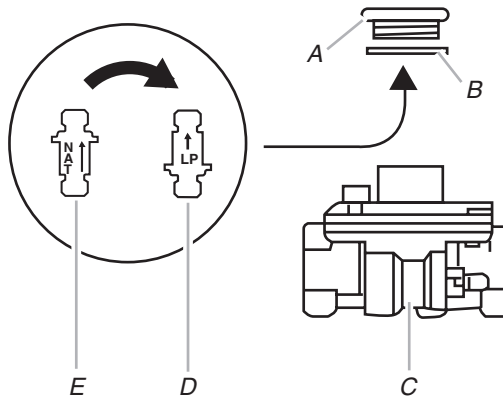
To Convert Gas Pressure Regulator

1. Remove the access cap by using a wrench, turning the access cap counterclockwise.



A. Access cap
B. Rear of cooktop
C. Gas pressure regulator
D. Gas flow

2. Remove spring retainer from the cap by turning it counterclockwise. Look at the spring retainer to locate the "NAT" or "LP" position. Turn over the spring retainer so the "LP" is showing on the bottom. Screw the spring retainer back into the cap, turning it clockwise. Reinstall the cap onto the regulator.



A. Access cap
B. Gasket
C. Gas pressure regulator
D. LP position
E. NAT position

3. Test the gas pressure regulator and gas supply line.

The regulator must be checked at a minimum 1" (2.5 cm) water column above the set pressure. The inlet pressure to the regulator should be as follows for operation and checking the regulator setting:

LP Gas:

Minimum pressure 10" (25.4 cm) W.C.P.
Supply pressure 14" (35.5 cm) W.C.P.

Gas Supply Pressure Testing

Line pressure testing above ½ psi gauge (14" WCP)

The cooktop and its individual shutoff valve must be disconnected from the gas supply piping system during any pressure testing of that system at test pressures in excess of ½ psi (3.5 kPa).

Line pressure testing at ½ psi gauge (14" WCP) or lower

The cooktop must be isolated from the gas supply piping system by closing its individual manual shutoff valve during any pressure testing of the gas supply piping system at test pressures equal to or less than ½ psi (3.5 kPa).

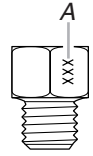
To Convert Surface Burners

1. If installed, remove the burner grates.

Use the following charts to match the correct gas orifice spud with the burner location and model being converted.

LP Gas Orifice Spud Chart

Burner Rating	Stamped Number	Size
3,600 BTU	58	0.58 mm
5,600 BTU	72	0.72 mm
11,000 BTU	100	1.00 mm
11,500 BTU	102	1.02 mm



A. Stamped number

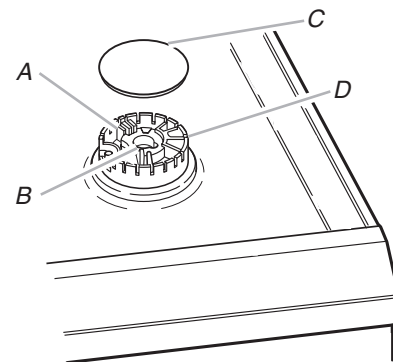
4 Burner Models

Model No.	Right front	Right rear	Left front	Left rear
KGCK346BSS	58	72	102	72
WCG52424AS	58	72	100	72
MGC7424AS	58	72	100	72

2. Remove burner cap.

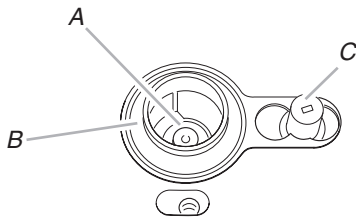
3. Remove the burner base.

NOTE: Remove one burner base at a time. Then replace after converting. Do not disassemble entire cooktop.



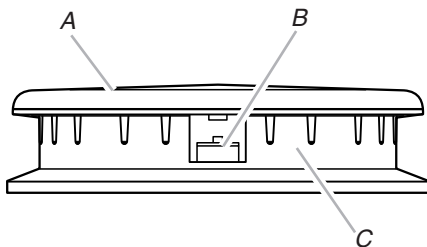
A. Igniter electrode
B. Gas tube opening
C. Burner cap
D. Burner base

- Apply masking tape to the end of a 7 mm nut driver to help hold the gas orifice spud in the nut driver while changing it. Press nut driver down onto the gas orifice spud and remove by turning it counterclockwise and lifting out. Set gas orifice spud aside.



A. Orifice spud
B. Orifice spud holder
C. Spark electrode

- Replace with correct LP gas orifice spud. See charts in Step 1.



A. Burner cap
B. Electrode
C. Burner base

- Place Natural gas orifice spuds in plastic parts bag for future use and keep with package containing literature.
- Replace burner base.

IMPORTANT: The igniter electrode is ceramic and could break during conversion. Be sure that the electrode comes through the hole in the burner head.
- Replace burner cap.

- Repeat steps 1-8 for the remaining burners.
- Open shutoff valve in the gas supply line. The valve is open when the handle is parallel to the gas pipe.

REMEMBER: Once you have completed converting all the cooktop burners, test the cooktop for leaks by brushing on an approved noncorrosive leak-detection solution. Bubbles will show, indicating a leak. Correct any leaks found.

⚠ WARNING



Electrical Shock Hazard

Plug into a grounded 3 prong outlet.

Do not remove ground prong.

Do not use an adapter.

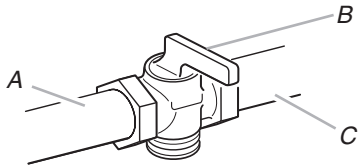
Do not use an extension cord.

Failure to follow these instructions can result in death, fire, or electrical shock.

- Plug in cooktop or reconnect power.

Convert from LP Gas to Natural Gas

1. Turn manual shutoff valve to the closed position.

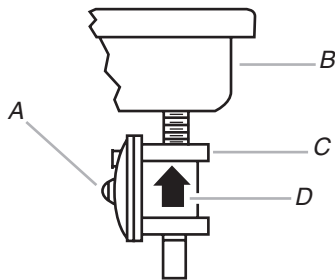


- A. To cooktop
- B. Shutoff valve (closed position)
- C. Gas supply line

2. Unplug cooktop or disconnect power.

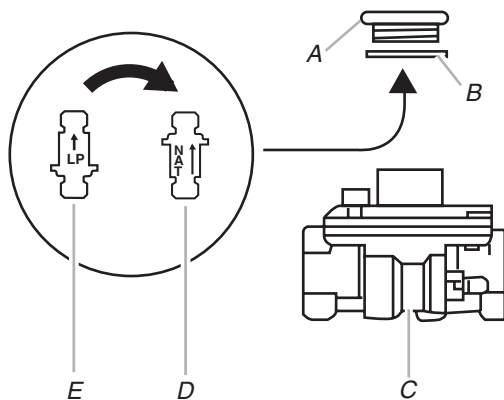
To Convert Gas Pressure Regulator

1. Remove the access cap by using a wrench, turning the access cap counterclockwise.



- A. Access cap
- B. Rear of cooktop
- C. Gas pressure regulator
- D. Gas flow

2. Remove spring retainer from the cap by turning it counterclockwise. Look at the spring retainer to locate the "LP" or "NAT" position. Turn over the spring retainer so the "NAT" is showing on the bottom. Screw the spring retainer back into the cap, turning it clockwise. Reinstall the cap onto the regulator.



- A. Access cap
- B. Gasket
- C. Gas pressure regulator

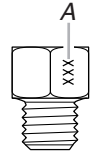
- D. NAT position
- E. LP position

To Convert Surface Burners

1. If they are installed, remove the burner grates.
Use the following charts to match the correct gas orifice spud with the burner location and model being converted.

Natural Gas Orifice Spud Chart

Burner Rating	Stamped Number	Size
3,600 BTU	90	0.90 mm
5,600 BTU	115	1.15 mm
11,000 BTU	160	1.60 mm
11,500 BTU	162	1.62 mm



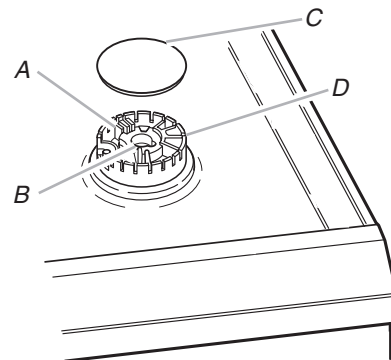
A. Stamped number

4 Burner Models

Model No.	Right front	Right rear	Left front	Left rear
KGCK346BSS	90	115	162	115
WCG52424AS	90	115	160	115
MGC7424AS	90	115	160	115

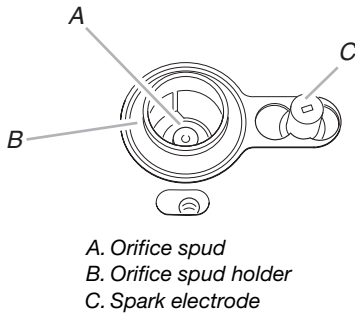
2. Remove burner cap.
3. Remove the burner base.

NOTE: Remove one burner base at a time. Then replace after converting. Do not disassemble entire cooktop.

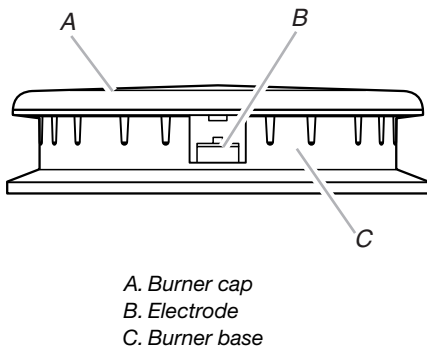


- A. Igniter electrode
- B. Gas tube opening
- C. Burner cap
- D. Burner base

- Apply masking tape to the end of a 7 mm nut driver to help hold the gas orifice spud in the nut driver while changing it. Press nut driver down onto the gas orifice spud and remove by turning it counterclockwise and lifting out. Set gas orifice spud aside. See Step 4 of the “Convert from Natural Gas to LP Gas” section.



- Replace with correct Natural Gas orifice spud. See the charts in Step 1.



- Place LP gas orifice spuds in plastic parts bag for future use and keep with the package containing literature.
- Replace burner base.

IMPORTANT: The igniter electrode is ceramic and could break during conversion. Be sure that the electrode comes through the hole in the burner head smoothly while tightening screws.
- Replace burner cap.
- Repeat steps 1-8 for the remaining burners.
- Open shutoff valve in the gas supply line. The valve is open when the handle is parallel to the gas pipe.

REMEMBER: Once you have completed converting all the cooktop burners, test the cooktop for leaks by brushing on an approved noncorrosive leak-detection solution. Bubbles will show, indicating a leak. Correct any leaks found.

⚠ WARNING

Electrical Shock Hazard

Plug into a grounded 3 prong outlet.

Do not remove ground prong.

Do not use an adapter.

Do not use an extension cord.

Failure to follow these instructions can result in death, fire, or electrical shock.

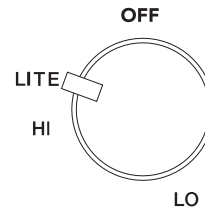
- Plug in cooktop or reconnect power.

Lighting the Electronic Igniters

The cooktop burners use electronic igniters in place of standing pilots. When the cooktop control knob is pushed in and turned to the LITE position, the system creates a spark to light the burner. This sparking continues until the control knob is pushed in.

To Check Operation of the Cooktop Burners:

- Push in and turn knobs to the LITE position. The cooktop burner flame should light within 4 seconds. The first time a burner is lit, it may take longer than 10 seconds to light because of air in the gas line.



- If burners do not light properly, turn the control knob to the OFF position. Make sure the burner cap is in the proper position.
- Check that the power supply cord is plugged in. Check that the circuit breaker has not tripped or the household fuse has not blown.
- Check that the manual shutoff valve is in the open position.
- Check burner operation again.

If one or all of the burners do not light at this point, see “Assistance or Service” section in the Use and Care Guide.

Low Flame Height Adjustment - Natural Gas Only

IMPORTANT: The following instructions are for use with Natural gas only. When LP gas is used, the gas adjustment screw must be tightened as far as it will go.

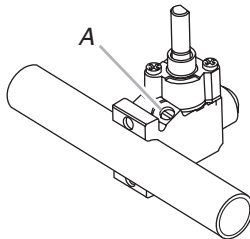
Each burner flame has been factory set to the lowest position available to provide reliable and constant reignition of the burner; however, each burner can be adjusted.

To Adjust:

1. After lighting, push in and turn each control knob to the LO position.
 2. If the burner does not stay lit on the LO position, turn the control knob to the LITE position until the burner lights.
 3. Quickly turn the control knob down to the LO position.
- If the burner goes out after adjusting, readjust the valve.

To Readjust Valve:

1. Remove control knob(s).
2. Insert a flat-blade screwdriver into the cooktop surface hollow and engage the slotted screw.



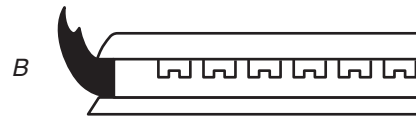
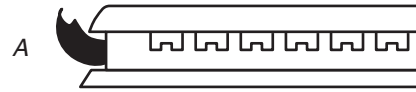
A. Slotted screw

3. The flame size can be increased or decreased by turning the screw. Adjust flame until you can quickly turn the control knob from the HI to LO position without extinguishing the flame. The flame should be as small as possible without going out.

NOTE: For higher altitudes, no further burner adjustments are necessary.

Complete Burner Adjustment

1. Check burner flame(s) for proper size and shape. The cooktop "low" burner flame should be a steady blue flame approximately 1/4" (0.64 cm) high.



A. Low flame

B. High flame

2. Completely fill out the conversion label (4619 602 47361) and attach label to bottom of the cooktop next to the rating tag. Do not cover the rating tag with the conversion label.
3. Save the orifices removed from the cooktop along with these instructions for future reference.
4. Read "Sealed Surface Burners" section in the Use and Care Guide supplied with the cooktop.

SÉCURITÉ DE LA CONVERSION POUR L'ALIMENTATION AU PROPANE

Votre sécurité et celle des autres est très importante.

Nous donnons de nombreux messages de sécurité importants dans ce manuel et sur votre appareil ménager. Assurez-vous de toujours lire tous les messages de sécurité et de vous y conformer.



Voici le symbole d'alerte de sécurité.

Ce symbole d'alerte de sécurité vous signale les dangers potentiels de décès et de blessures graves à vous et à d'autres.

Tous les messages de sécurité suivront le symbole d'alerte de sécurité et le mot "DANGER" ou "AVERTISSEMENT". Ces mots signifient :

! DANGER

Risque possible de décès ou de blessure grave si vous ne suivez pas immédiatement les instructions.

! AVERTISSEMENT

Risque possible de décès ou de blessure grave si vous ne suivez pas les instructions.

Tous les messages de sécurité vous diront quel est le danger potentiel et vous disent comment réduire le risque de blessure et ce qui peut se produire en cas de non-respect des instructions.

AVERTISSEMENT : Si les renseignements dans ce manuel ne sont pas exactement observés, un incendie ou une explosion peut survenir, causant des dommages au produit, des blessures ou un décès.

- Ne pas entreposer ni utiliser de l'essence ou d'autres vapeurs ou liquides inflammables à proximité de cet appareil ou de tout autre appareil électroménager.
- QUE FAIRE DANS LE CAS D'UNE ODEUR DE GAZ :
 - Ne pas tenter d'allumer un appareil.
 - Ne pas toucher à un commutateur électrique.
 - Ne pas utiliser le téléphone se trouvant sur les lieux.
 - Appeler immédiatement le fournisseur de gaz à partir du téléphone d'un voisin. Suivre ses instructions.
 - À défaut de joindre votre fournisseur de gaz, appeler les pompiers.
- L'installation et l'entretien doivent être effectués par un installateur qualifié, une agence de service ou le fournisseur de gaz.

AVERTISSEMENT : L'odorat ne permet pas toujours la détection d'une fuite de gaz.

Les distributeurs de gaz recommandent l'emploi d'un détecteur de gaz (homologation UL ou CSA).

Pour d'autre information, contacter le fournisseur de gaz local.

En cas de détection d'une fuite de gaz, exécuter les instructions "Que faire dans le cas d'une odeur de gaz".

Dans l'État du Massachusetts, les instructions d'installation suivantes sont applicables :

- Les travaux d'installation et réparation doivent être exécutés par un plombier ou tuyauteur qualifié ou licencié, ou par le personnel qualifié d'une entreprise licenciée par l'État du Massachusetts.
- Si une vanne à boisseau sphérique est utilisée, elle doit comporter une manette "T".
- Si un conduit de raccordement flexible est utilisé, sa longueur ne doit pas dépasser 3 pi.

CONVERSIONS POUR L'ALIMENTATION AU PROPANE

Outillage et pièces

Rassembler les outils et pièces nécessaires pour l'exécution correcte de la conversion pour l'alimentation au gaz propane.

Outillage nécessaire

- Tournevis à lame plate
- Tourne-écrou de 7 mm

Pièces fournies

- Sachet de gicleurs pour propane (400010467292)
- Instructions de conversion (501931902099)
- Étiquette de conversion (461960247361)

IMPORTANT : L'opération de conversion de l'appareil (pour l'alimentation au gaz propane au lieu de gaz naturel) doit être exécutée par un installateur qualifié. Avant d'entreprendre la conversion, fermer l'arrivée de gaz avant d'interrompre l'alimentation électrique de la table de cuisson.

AVERTISSEMENT

Cet ensemble de conversion doit être installé par le personnel qualifié d'une agence de service en conformité avec les instructions du fabricant et les prescriptions de tous les codes en vigueur et des autorités juridictionnelles. Si les présentes instructions ne sont pas rigoureusement respectées, ceci peut provoquer un incendie, une explosion ou la génération de monoxyde de carbone provoquant des dommages corporels ou matériels, ou même la mort. La responsabilité de l'installation correcte de cet ensemble de conversion incombe au personnel qualifié d'une agence de service. L'installation n'est pas correcte et complète avant que le bon fonctionnement de l'appareil converti ait été vérifié sur la base des spécifications présentées dans les instructions du fabricant fournies avec cet ensemble de pièces.

⚠ AVERTISSEMENT



Risque d'explosion

Utiliser une canalisation neuve d'arrivée de gaz approuvée par la CSA International.

Installer un robinet d'arrêt.

Bien serrer chaque organe de connexion de la canalisation de gaz.

En cas de connexion au gaz propane, demander à une personne qualifiée de s'assurer que la pression de gaz ne dépasse pas 36 cm (14 po) de la colonne d'eau.

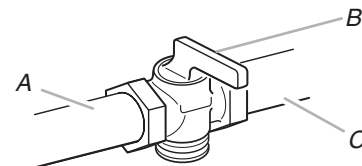
Par personne qualifiée, on comprend :

le personnel autorisé de chauffage,
le personnel autorisé d'une compagnie de gaz, et
le personnel d'entretien autorisé.

Le non-respect de ces instructions peut causer un décès, une explosion ou un incendie.

Conversion de Gaz naturel à Propane

1. Fermer le robinet d'arrêt manuel.



A. Vers la table de cuisson

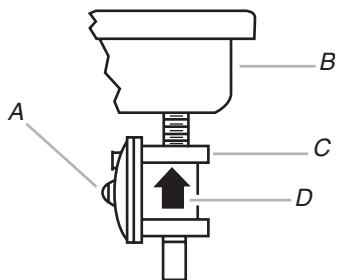
B. Robinet d'arrêt (position de fermeture)

C. Canalisation d'alimentation en gaz

2. Débrancher la table de cuisson ou déconnecter la source de courant électrique.

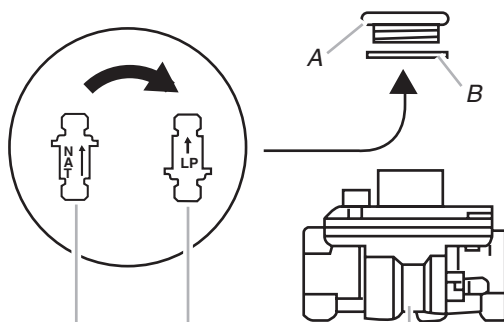
Conversion du détendeur

1. Utiliser une clé pour enlever le chapeau de l'ouverture d'accès; faire tourner le chapeau dans le sens antihoraire.



A. Chapeau de l'ouverture d'accès
B. Arrière de la table de cuisson
C. Détendeur
D. Sens de circulation du gaz

2. Ôter le ressort de retenue du chapeau en le tournant dans le sens horaire. Examiner le ressort de retenue pour identifier la position "NAT" ou "LP". Retourner le ressort de retenue pour que la mention "LP" soit au fond. Visser à nouveau le ressort de retenue dans le chapeau en le tournant dans le sens horaire. Réinstaller le chapeau sur le détendeur.



A. Chapeau de l'ouverture d'accès
B. Joint d'étanchéité
C. Détendeur
D. Position LP
E. Position NAT

3. Tester le détendeur et la canalisation d'alimentation en gaz.

On doit tester le détendeur sous une pression supérieure d'au moins 1" (2,5 cm) (colonne d'eau) à la pression de réglage. Pour le fonctionnement et le contrôle du réglage du détendeur, il faut que la pression d'admission au détendeur corresponde aux indications ci-dessous :

Gaz propane :

Pression minimum : 10" (25,4 cm) (colonne d'eau)
Pression de service : 14" (35,5 cm) (colonne d'eau)

Test de pressurisation de la canalisation de gaz

Pressurisation à une pression supérieure à ½ lb/po² (14" - colonne d'eau)

Pour tout test de pressurisation du système à une pression supérieure à ½ lb/po² (3,5 kPa), on doit déconnecter la table de cuisson et son robinet d'arrêt individuel de la canalisation à pressuriser.

Pressurisation à une pression de ½ lb/po² (14" - colonne d'eau) ou moins

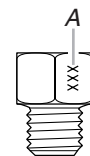
La table de cuisson devra être isolée de la canalisation de gaz par la fermeture du robinet d'arrêt manuel individuel durant tout test de pressurisation de la canalisation de gaz à une pression égale ou inférieure à ½ lb/po² (3,5 kPa).

Conversion des brûleurs de surface

1. Enlever les grilles de brûleur si elles sont installées.
Dans les tableaux qui suivent, choisir le gicleur approprié selon le modèle de l'appareil et l'emplacement du brûleur à convertir.

Tableau de sélection des gicleurs pour gaz propane

Puissance thermique	Chiffre gravé	Taille
3 600 BTU	58	0,58 mm
5 600 BTU	72	0,72 mm
11 000 BTU	100	1,00 mm
11 500 BTU	102	1,02 mm



A. Chiffre gravé

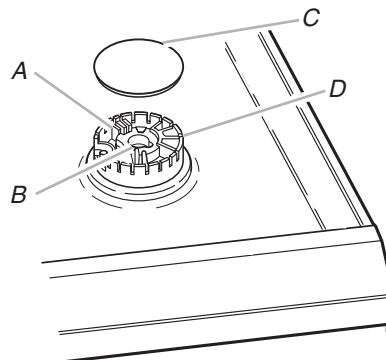
Modèles à 4 brûleurs

Modèle n°	Avant droit	Arrière droit	Avant gauche	Arrière gauche
KGCK346BSS	58	72	102	72
WCG42424AS	58	72	100	72
MGC7424AS	58	72	100	72

2. Ôter le chapeau de brûleur.

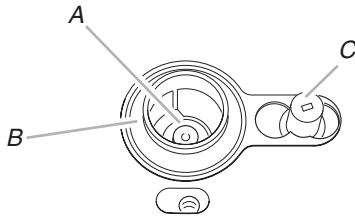
3. Ôter la base du brûleur.

REMARQUE : Enlever une seule base de brûleur à la fois. Réinstaller la base après la conversion du brûleur. Ne pas démonter la totalité de la table de cuisson.



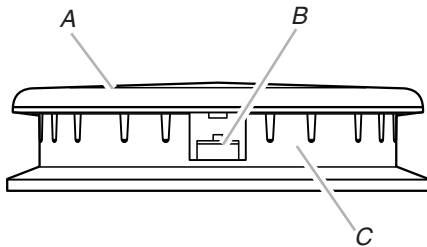
A. Électrode d'allumage
B. Ouverture du tube d'arrivée de gaz
C. Chapeau de brûleur
D. Base du brûleur

4. Appliquer du ruban adhésif de masquage à l'extrémité d'un tourne-écrou de 7 mm pour retenir le gicleur du brûleur dans le tourne-écrou durant l'extraction. Placer le tourne-écrou sur le gicleur; faire tourner dans le sens antihoraire et soulever pour enlever le gicleur. Conserver à part le gicleur du brûleur.



A. Gicleur
B. Support du gicleur
C. Électrode d'allumage

5. Installer le gicleur pour propane de taille correcte à la place du gicleur pour gaz naturel. Voir les tableaux à l'étape 1.



A. Chapeau de brûleur
B. Électrode
C. Base du brûleur

6. Placer les gicleurs pour gaz naturel dans le sachet plastique de pièces et avec les documents fournis avec l'appareil, pour pouvoir les réutiliser ultérieurement.
7. Réinstaller la base du brûleur.
- IMPORTANT :** L'électrode d'allumage est en céramique; elle peut se briser durant l'opération de conversion. Veiller à ce que l'électrode traverse le trou dans la tête du brûleur.
8. Réinstaller le chapeau de brûleur.

9. Répéter les étapes 1 à 8 pour les autres brûleurs.
10. Ouvrir le robinet d'arrêt de la d'alimentation en gaz. Le robinet est ouvert lorsque la manette est parallèle à la canalisation.

NE PAS OUBLIER : Après avoir exécuté la conversion de chaque brûleur de la table de cuisson, effectuer un test de recherche des fuites sur la table de cuisson : appliquer sur les connexions du circuit de gaz une solution homologuée (non corrosive) pour détection des fuites. La formation de bulles identifie une fuite. Veiller à éliminer toute fuite détectée.

⚠ AVERTISSEMENT



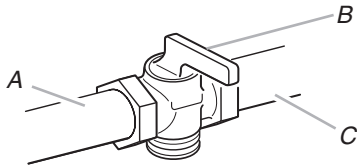
Risque de choc électrique

- Brancher sur une prise à 3 alvéoles reliée à la terre.
- Ne pas enlever la broche de liaison à la terre.
- Ne pas utiliser un adaptateur.
- Ne pas utiliser un câble de rallonge.
- Le non-respect de ces instructions peut causer un décès, un incendie ou un choc électrique.

11. Brancher la table de cuisson ou reconnecter la source de courant électrique.

Conversion de Propane au Gaz naturel

1. Fermer le robinet d'arrêt manuel.

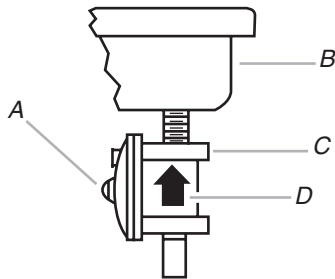


- A. Vers la table de cuisson
 B. Robinet d'arrêt (position de fermeture)
 C. Canalisation d'alimentation en gaz

2. Débrancher la table de cuisson ou déconnecter la source de courant électrique.

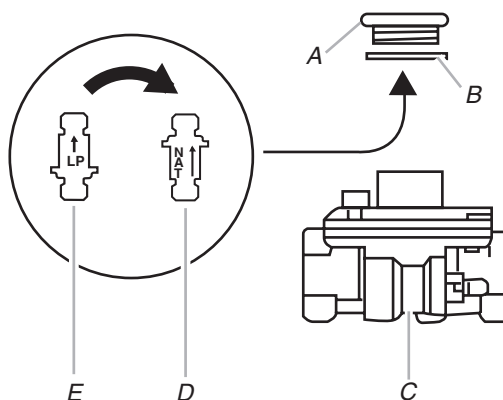
Conversion du détendeur

1. Utiliser une clé pour enlever le chapeau de l'ouverture d'accès; faire tourner le chapeau dans le sens antihoraire.



- A. Chapeau de l'ouverture d'accès
 B. Arrière de la table de cuisson
 C. Détendeur
 D. Sens de circulation du gaz

2. Ôter le ressort de retenue du chapeau en le tournant dans le sens antihoraire. Examiner le ressort de retenue pour identifier la position "LP" ou "NAT". Retourner le ressort de retenue pour que la mention "NAT" soit au fond. Visser à nouveau le ressort de retenue dans chapeau en le tournant dans le sens horaire. Réinstaller le chapeau sur le détendeur.



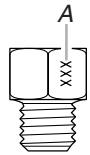
- A. Chapeau de l'ouverture d'accès
 B. Joint d'étanchéité
 C. Détendeur
 D. Position NAT
 E. Position LP

Conversion des brûleurs de surface

1. Enlever les grilles de brûleur si elles sont installées.
 Dans les tableaux qui suivent, choisir le gicleur approprié selon le modèle de l'appareil et l'emplacement du brûleur à convertir.

Tableau de sélection des gicleurs pour gaz naturel

Puissance thermique	Chiffre gravé	Taille
3 600 BTU	90	0,90 mm
5 600 BTU	115	1,15 mm
11 000 BTU	160	1,60 mm
11 500 BTU	162	1,62 mm



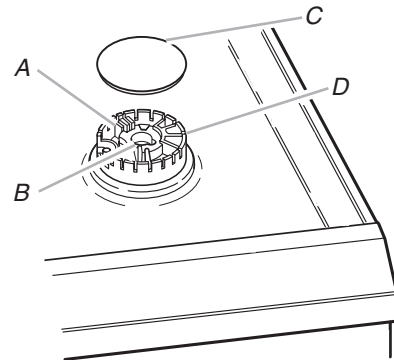
A. Chiffre gravé

Modèles à 4 brûleurs

Modèle n°	Avant droit	Arrière droit	Avant gauche	Arrière gauche
KGCK346BSS	90	115	162	115
WCG52424AS	90	115	160	115
MGC7424AS	90	115	160	115

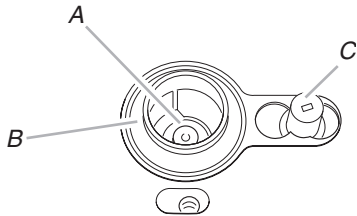
2. Ôter le chapeau de brûleur.
3. Ôter la base du brûleur.

REMARQUE : Enlever une seule base de brûleur à la fois. Réinstaller la base après la conversion du brûleur. Ne pas démonter la totalité de la table de cuisson.



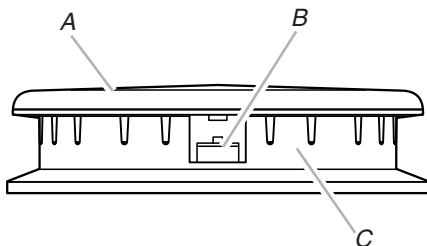
- A. Électrode d'allumage
 B. Ouverture du tube d'arrivée de gaz
 C. Chapeau de brûleur
 D. Base du brûleur

4. Appliquer du ruban adhésif de masquage à l'extrémité d'un tourne-écrou de 7 mm pour retenir le gicleur du brûleur dans le tourne-écrou durant l'extraction. Placer le tourne-écrou sur le gicleur; faire tourner dans le sens antihoraire et soulever pour enlever le gicleur. Conserver à part le gicleur du brûleur. Voir l'étape 4 de la section "Conversion de Gaz naturel à Propane".



A. Gicleur
B. Support du gicleur
C. Électrode d'allumage

5. Installer à la place le gicleur correct pour gaz naturel. Voir les tableaux à l'étape 1.



A. Chapeau de brûleur
B. Électrode
C. Base du brûleur

6. Placer les gicleurs pour propane dans le sachet plastique de pièces et avec les documents fournis avec l'appareil, pour pouvoir les réutiliser ultérieurement.
7. Réinstaller la base du brûleur.
- IMPORTANT :** L'électrode d'allumage est en céramique; elle peut se briser durant l'opération de conversion. Lors du serrage des vis, veiller à ce que l'électrode traverse sans difficulté le trou dans la tête du brûleur.
8. Réinstaller le chapeau de brûleur.
9. Répéter les étapes 1 à 8 pour les autres brûleurs.
10. Ouvrir le robinet d'arrêt de la canalisation d'alimentation en gaz. Le robinet est ouvert lorsque la manette est parallèle à la canalisation.

NE PAS OUBLIER : Après avoir exécuté la conversion de chaque brûleur de la table de cuisson, effectuer un test de recherche des fuites sur la table de cuisson : appliquer sur les connexions du circuit de gaz une solution homologuée (non corrosive) pour détection des fuites. La formation de bulles identifie une fuite. Veiller à éliminer toute fuite détectée.

⚠ AVERTISSEMENT



Risque de choc électrique

- Brancher sur une prise à 3 alvéoles reliée à la terre.**
- Ne pas enlever la broche de liaison à la terre.**
- Ne pas utiliser un adaptateur.**
- Ne pas utiliser un câble de rallonge.**
- Le non-respect de ces instructions peut causer un décès, un incendie ou un choc électrique.**

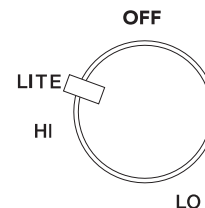
11. Brancher la table de cuisson ou reconnecter la source de courant électrique.

Allumeurs électroniques - allumage

À la place de flammes de veille, les brûleurs de la table de cuisson sont dotés d'allumeurs électroniques. Lorsque l'utilisateur appuie sur le bouton de commande et le fait tourner jusqu'à la position LITE (allumage), le système génère des étincelles pour l'inflammation du gaz sur le brûleur. La génération d'étincelles se poursuit jusqu'à ce que le bouton de commande soit enfoncé.

Contrôle du fonctionnement des brûleurs de la table de cuisson :

1. Placer le bouton de commande à la position LITE (enfoncer et faire tourner). Le gaz doit s'enflammer sur le brûleur en moins de 4 secondes. Lors de l'allumage initial du brûleur, le délai d'allumage peut être supérieur à 10 secondes du fait de la présence d'air dans la canalisation de gaz.



2. Si le brûleur ne s'allume pas correctement, ramener le bouton de commande à la position OFF (arrêt). Veiller à ce que le chapeau de brûleur soit à la position correcte.
3. Vérifier que le cordon d'alimentation est branché. Vérifier que le disjoncteur ne s'est pas déclenché et qu'aucun fusible n'a grillé.
4. Vérifier que le robinet d'arrêt manuel de la canalisation de gaz est ouvert.
5. Contrôler de nouveau le fonctionnement du brûleur.

Si l'un des brûleurs ou tous les brûleurs ne s'allume(nt) pas à ce stade, voir la section "Assistance ou service" dans le Guide d'utilisation et d'entretien.

Réglage de la taille des flammes pour le débit thermique minimal - Gaz naturel uniquement

IMPORTANT : Les instructions suivantes sont valables pour le gaz naturel seulement. En cas d'utilisation de gaz propane, la vis de réglage du gaz doit être serrée aussi fort que possible.

Chaque brûleur a été réglé à l'usine de telle manière que pour la position du robinet de gaz correspondant au débit thermique minimum, le dispositif de rallumage du brûleur fonctionne constamment d'une manière fiable; cependant il est possible d'effectuer un réglage sur chaque brûleur.

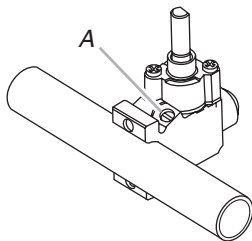
Processus de réglage :

1. Après l'allumage, placer le bouton de commande du brûleur à la position LO (enfoncer et faire tourner).
2. Si le brûleur ne reste pas allumé à la position LO, placer le bouton de commande à la position LITE pour obtenir l'allumage du brûleur.
3. Ramener rapidement le bouton de commande à la position LO.

Si le brûleur s'éteint alors, on doit ajuster le réglage du robinet.

Réglage du robinet :

1. Ôter le(s) bouton(s) de commande.
2. Insérer un tournevis à lame plate dans la partie creuse de la surface de la table de cuisson et engager la vis à fentes.



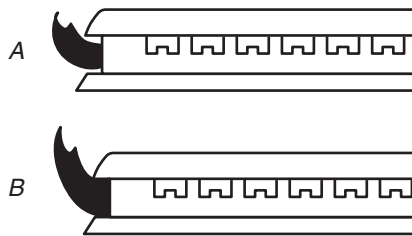
A. Vis à fentes

3. La rotation de la vis permet d'augmenter ou de diminuer la taille des flammes. Ajuster la taille des flammes de telle manière qu'il soit possible de faire passer rapidement le bouton de commande de la position HI à la position LO sans provoquer l'extinction des flammes sur le brûleur. Il faut que les flammes soient aussi petites que possible, sans que ceci provoque l'extinction du brûleur.

REMARQUE : Si l'appareil est utilisé à une altitude élevée, aucun autre réglage des brûleurs n'est nécessaire.

Achever le réglage des brûleurs

1. Contrôler la taille et la forme des flammes sur chaque brûleur. Pour le réglage au débit thermique minimum, on doit observer des flammes stables bleues d'environ 1/4" (0,64 cm) de hauteur.



A. Débit thermique minimum

B. Débit thermique maximum

2. Remplir complètement l'étiquette de conversion (4619 602 47361); fixer l'étiquette sur le fond de la table de cuisson, à côté de la plaque signalétique. Ne pas recouvrir la plaque signalétique avec l'étiquette.
3. Conserver les gicleurs qui ont été retirés de la table de cuisson avec les présentes instructions, pour utilisation ultérieure.
4. Lire la section "Brûleurs de surface scellés" dans le Guide d'utilisation et d'entretien fourni avec la table de cuisson.

501931902099

© 2012.
All rights reserved.
Tous droits réservés.

1/12
Printed in Italy
Imprimé en Italie